



METAL-FAB INC.



DIRECT VENT PRODUCTS
DIRECT VENT CHIMNEY

FOR USE WITH GAS-FIRED APPLIANCES.

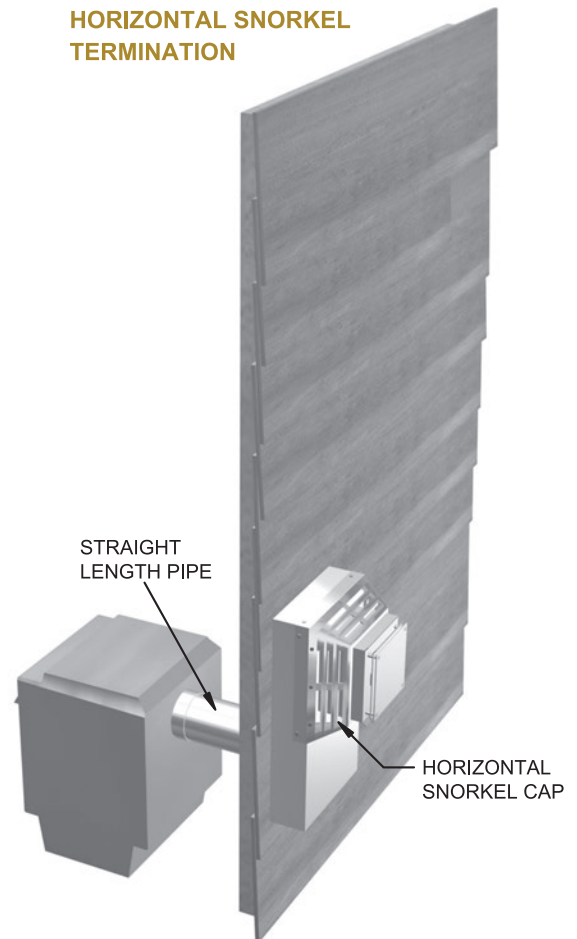
Metal-Fab Direct Vent Chimney offers the same high quality, attention to detail, and superior performance as our other vent products:

- Stainless steel inner flue, superior to aluminum for high heat applications.
- Size - 4x6, 5x8 and 8x11 available.
- Unitized construction eliminates field assembly of inner flue and casing.
- Twist connections with SureLock™ provide quick, positive, fastener-free installation on 4x6 components.
- Precision pipe and fittings have been engineered for optimum appliance performance in both horizontal and vertical configurations. Field-applied sealant is not required.
- Laboratory tested and listed with each appliance.
- Wind, rain, and thermal performance-tested for safer, dependable operation.
- Black and galvanized casings available.
- All elbows swivel for easy alignment of system components.
- Single multi-adjustable length.
- 1 - 2 day shipping, 100% order fill.

New Technology

The special double-wall construction of Metal-Fab Direct Vent allows direct vent stoves and fireplaces to operate without using air from inside the building. These direct vent appliances draw combustion air in from outdoors through the direct vent system, meaning that warm inside air is not being used to fuel the appliance. The appliance burns efficiently without creating fumes, condensation or smoke in the room.

DIRECT VENT - FREE STANDING HORIZONTAL SNORKEL TERMINATION



Better Design, Better Construction

Centering brackets are attached to the inner flue, but not to the casing. This unique design allows for expansion and contraction, but prevents possible misalignment of flue and casing. No need for field assembly of inner flue and casing.

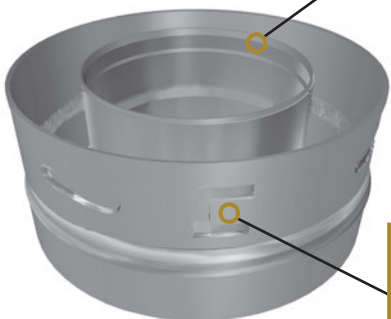
Chamfered ends on each end of the flue provide positive fit and easy slide-together assembly.

Exclusive SureLock™ locking system on 4x6 components makes connections fast, easy and tool-free. Just push pipes together, twist and push SureLock tab in. Easily unlocked if disassembly is necessary.

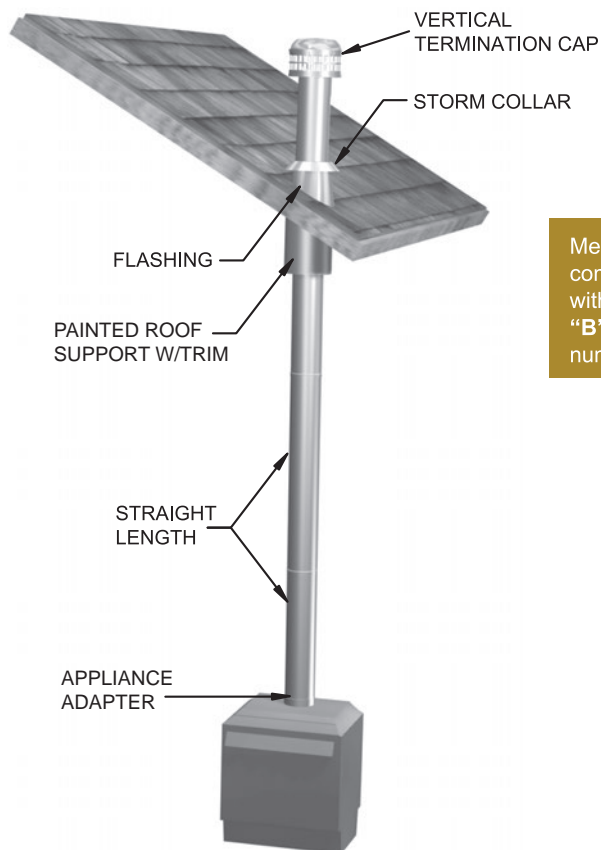
Inner flue is heavy gauge 430 stainless steel to fight corrosion and provide strength and integrity to the vent system.

Precision engineering and construction provide for an airtight connection without the need for a seal required by other brands. Also eliminates the need to apply sealant in the field.

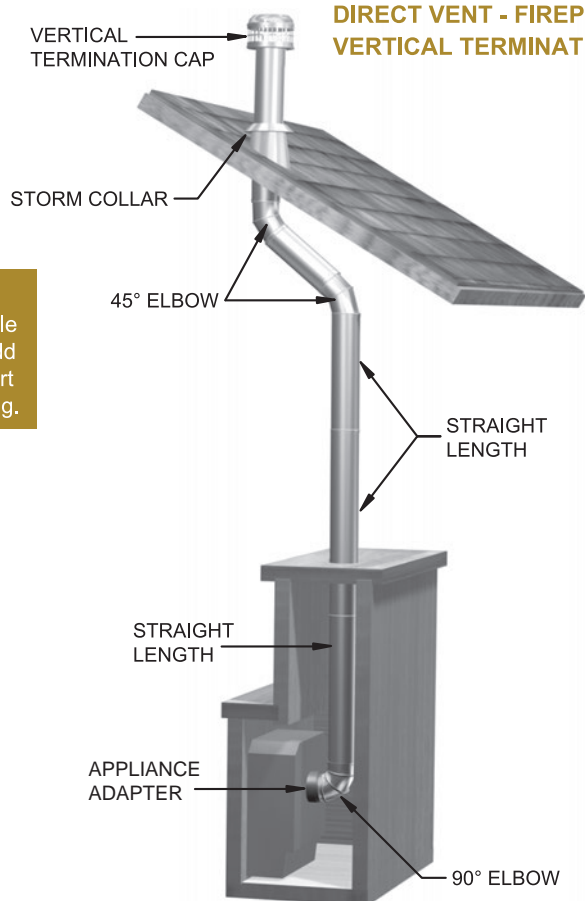
Outer casing is heavy gauge steel with galvanized or durable black painted finish.



DIRECT VENT - FREE STANDING VERTICAL TERMINATION



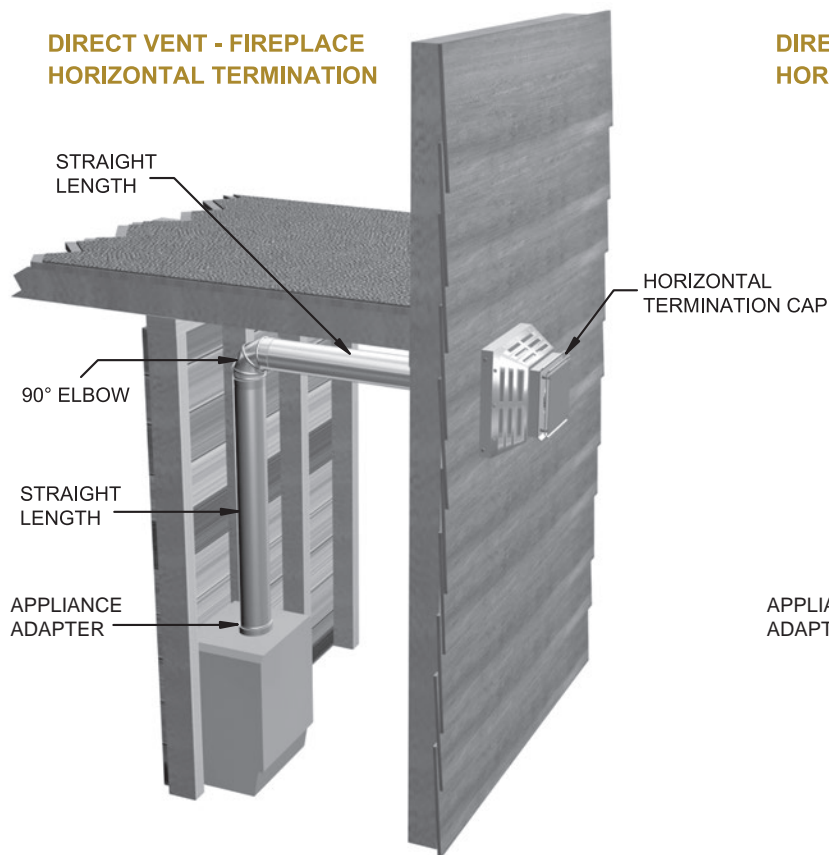
DIRECT VENT - FIREPLACE VERTICAL TERMINATION



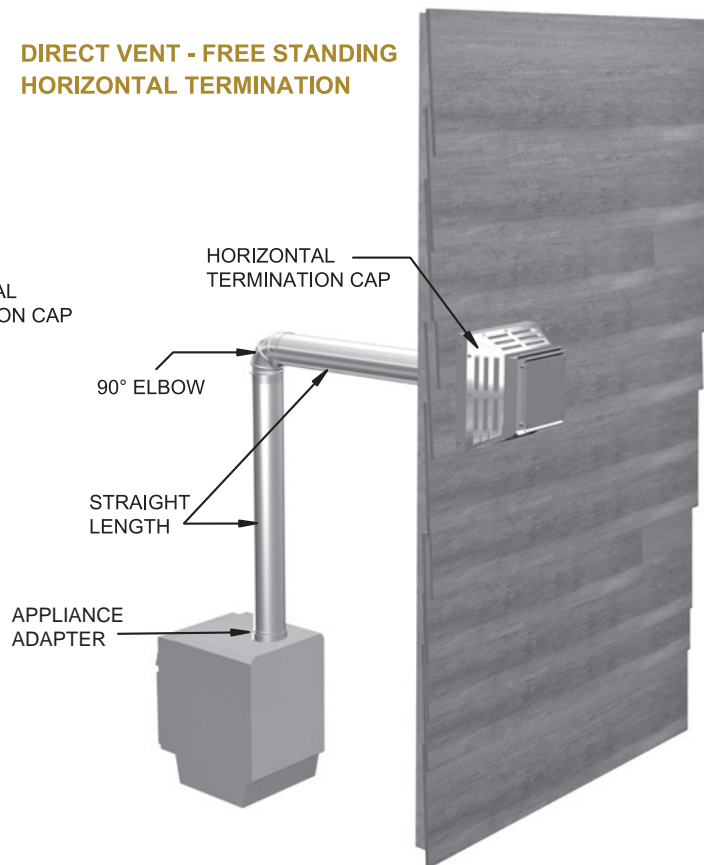
Metal-Fab Direct Vent components are available with black finish. Just add "B" to the end of the part numbers you are ordering.



DIRECT VENT - FIREPLACE HORIZONTAL TERMINATION

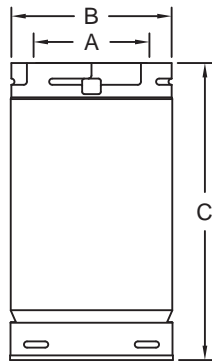


DIRECT VENT - FREE STANDING HORIZONTAL TERMINATION



Note: Twist-Lock Pipe overlaps 1½" when joined together. Therefore, assembled length on all sizes is 1½" less than listed length.

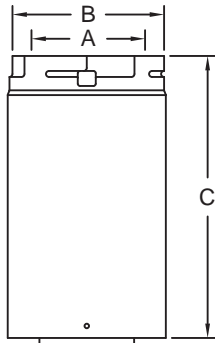
STRAIGHT LENGTH ASSEMBLY



| CAT NO. | A | B | C | CAT NO. | A | B | C |
|---------|-------|-------|--------|---------|-------|-------|--------|
| 4D6 | 4.00" | 6.50" | 6.00" | 5D6 | 5.00" | 8.00" | 6.00" |
| 4D12 | 4.00" | 6.50" | 12.00" | 5D12 | 5.00" | 8.00" | 12.00" |
| 4D18 | 4.00" | 6.50" | 18.00" | 5D18 | 5.00" | 8.00" | 18.00" |
| 4D24 | 4.00" | 6.50" | 24.00" | 5D24 | 5.00" | 8.00" | 24.00" |
| 4D36 | 4.00" | 6.50" | 36.00" | 5D36 | 5.00" | 8.00" | 36.00" |
| 4D48 | 4.00" | 6.50" | 48.00" | 5D48 | 5.00" | 8.00" | 48.00" |

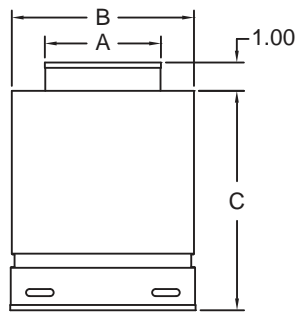
| CAT NO. | A | B | C |
|---------|-------|--------|--------|
| 8DV6 | 8.00" | 11.00" | 6.00" |
| 8DV12 | 8.00" | 11.00" | 12.00" |
| 8DV24 | 8.00" | 11.00" | 18.00" |
| 8DV36 | 8.00" | 11.00" | 36.00" |
| 8DV48 | 8.00" | 11.00" | 48.00" |

ADJUSTABLE LENGTH



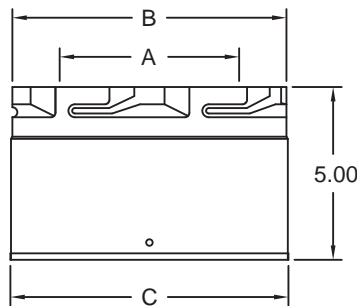
| CAT NO. | A | B | C | ADJUSTABLE RANGE |
|---------|-------|--------|--------|------------------|
| 4DAL | 4.00" | 6.50" | 11.75" | 3.00" TO 10.00" |
| 5DAL | 5.00" | 8.00" | 11.75" | 3.00" TO 10.00" |
| 8DVAL | 8.00" | 11.00" | 11.75" | 3.00" TO 10.00" |

SLIP CONNECTOR



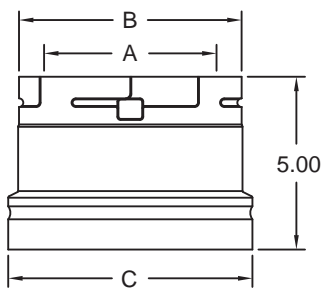
| CAT NO. | A | B | C |
|---------|-------|-------|-------|
| 4DSL A | 4.07" | 6.43" | 7.75" |

DURAVENT ADAPTER



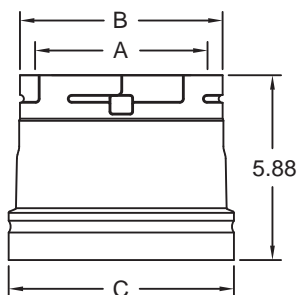
| CAT NO. | A | B | C |
|---------|-------|-------|-------|
| 4DDA | 4.00" | 6.50" | 6.64" |
| 5DDA | 5.00" | 8.00" | 8.01" |

NAPOLEON ADAPTER



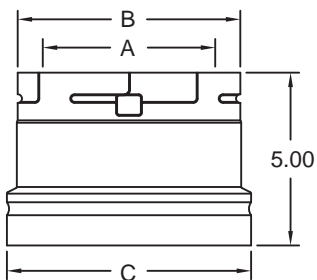
| CAT NO. | A | B | C |
|---------|-------|-------|-------|
| 4DNA | 4.00" | 6.50" | 7.03" |
| 5DNA | 5.00" | 8.00" | 8.08" |

NAPOLEON STOVE ADAPTER



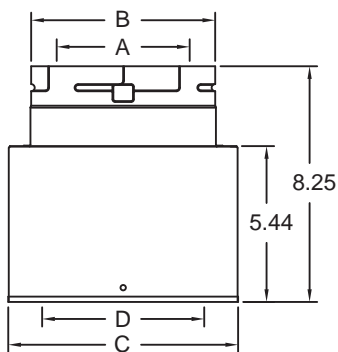
| CAT NO. | A | B | C |
|---------|-------|-------|-------|
| 4DNAS | 4.00" | 6.50" | 7.16" |

MONESSEN ADAPTER



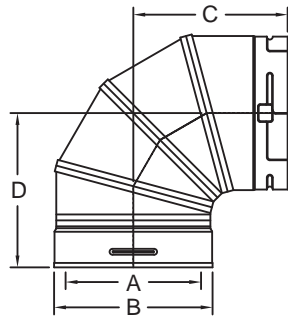
| CAT NO. | A | B | C |
|---------|-------|-------|-------|
| 4DMA | 4.00" | 6.50" | 7.07" |

5" TO 4" ADAPTER



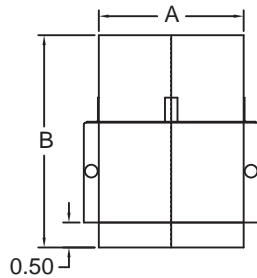
| CAT NO. | A | B | C | D |
|---------|-------|-------|-------|-------|
| 54DTA | 4.00" | 6.50" | 8.00" | 5.00" |

90° ADAPTER



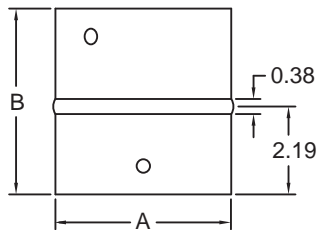
| CAT NO. | A | B | C | D |
|---------|-------|-------|-------|-------|
| 4D90A | 4.00" | 6.50" | 6.50" | 6.50" |
| 5D90A | 5.00" | 8.00" | 7.38" | 7.38" |

CO-LINEAR FLEX CONNECTOR



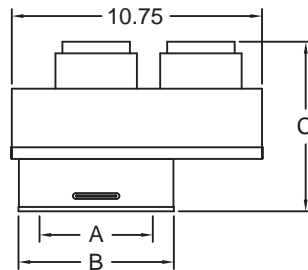
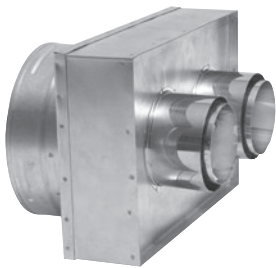
| CAT NO. | A | B |
|---------|-------|-------|
| 4DV3A | 2.90" | 4.25" |

FLEX PULLER/CONNECTOR



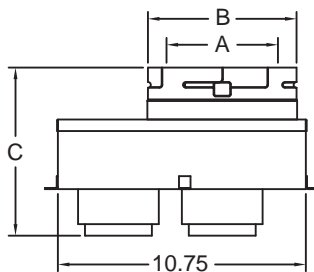
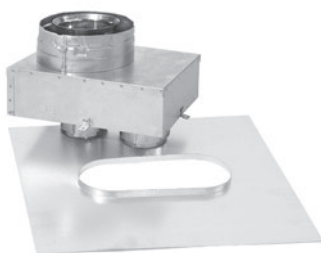
| CAT NO. | A | B |
|---------|-------|-------|
| 3FPC | 2.94" | 4.63" |
| 4FPC | 3.94" | 4.63" |

CO-AXIAL TO CO-LINEAR ADAPTER



| CAT NO. | A | B | C |
|---------|-------|-------|-------|
| 4DVLA | 4.00" | 6.50" | 7.28" |

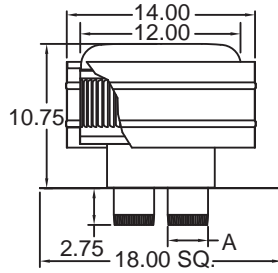
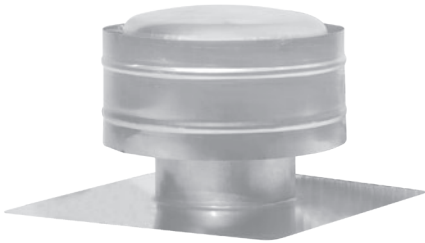
DIRECT VENT LINER KIT



| CAT NO. | A | B | C |
|---------|-------|-------|-------|
| 4DVLTK | 4.00" | 6.50" | 7.28" |

NOTE: Standard with flashing

VERTICAL LINER TERMINATION



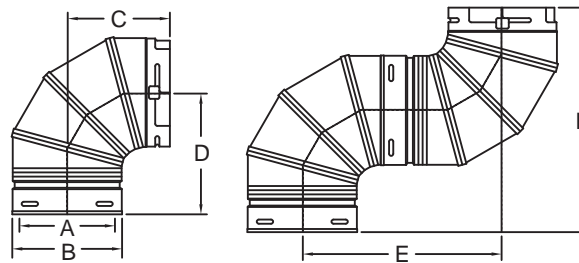
| CAT NO. | A | B |
|---------|-------|-------|
| 4DVT33F | 3.00" | 3.00" |
| 4DVT43F | 4.00" | 3.00" |

FLEXIBLE CHIMNEY LINERS



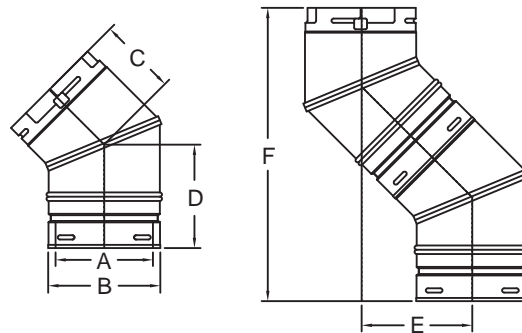
| CAT NO. | Size and identification |
|---------|--------------------------|
| FLX0325 | 3" Diameter x 25' length |
| FLX0335 | 3" Diameter x 35' length |
| FLX0425 | 4" Diameter x 25' length |
| FLX0435 | 4" Diameter x 35' length |

90° SWIVEL ELBOW



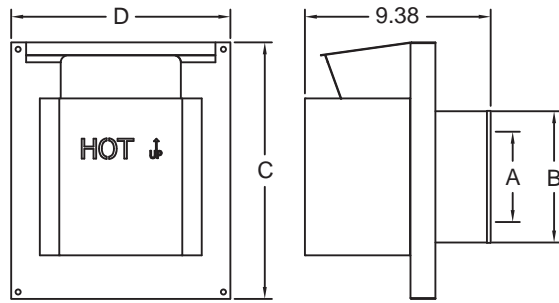
| CAT NO. | A | B | C | D | E | F |
|---------|-------|--------|--------|--------|--------|--------|
| 4D90L | 4.00" | 6.50" | 6.13" | 7.25" | 13.38" | 12.00" |
| 5D90L | 5.00" | 8.00" | 7.75" | 9.00" | 16.62" | 15.25" |
| 8DV90L | 8.00" | 11.00" | 11.50" | 12.75" | 22.88" | 24.38" |

45° SWIVEL ELBOW



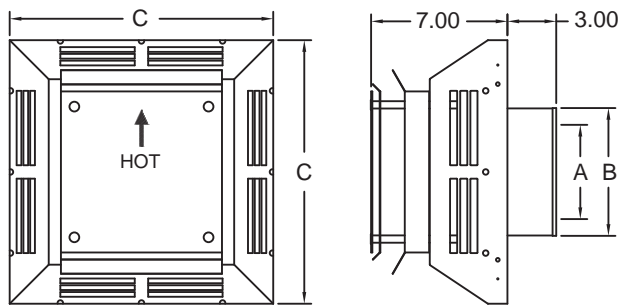
| CAT NO. | A | B | C | D | E | F |
|---------|-------|--------|-------|-------|-------|--------|
| 4D45L | 4.00" | 6.50" | 4.50" | 6.12" | 6.50" | 17.12" |
| 5D45L | 5.00" | 8.00" | 4.50" | 5.25" | 5.93" | 15.62" |
| 8DV45L | 8.00" | 11.00" | 6.00" | 7.25" | 8.38" | 21.50" |

ECONOMY HORIZONTAL TERMINATION



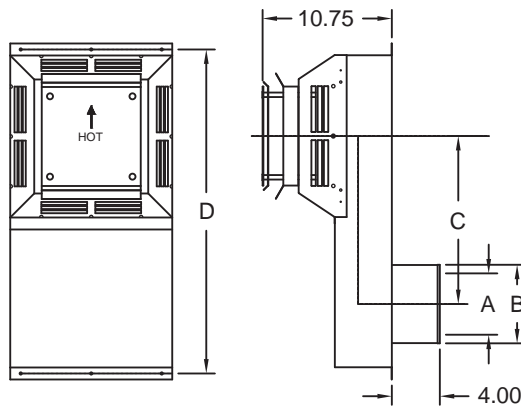
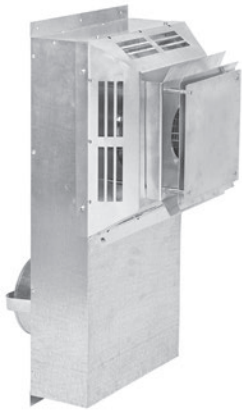
| CAT NO. | A | B | C | D |
|---------|-------|-------|--------|--------|
| 4DHTE | 4.00" | 6.50" | 12.88" | 11.00" |
| 5DHTE | 5.00" | 8.00" | 15.00" | 13.00" |

HORIZONTAL TERMINATION



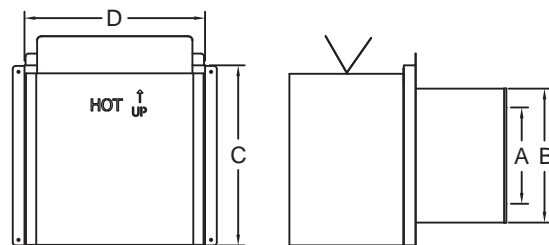
| CAT NO. | A | B | C |
|---------|-------|-------|--------|
| 4DHT | 4.00" | 6.50" | 13.50" |
| 5DHT | 5.00" | 8.00" | 16.00" |

SNORKEL TERMINATION



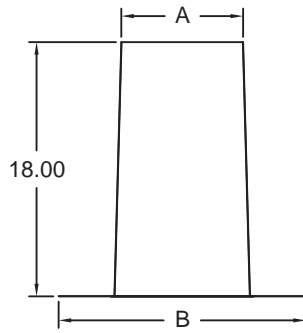
| CAT NO. | A | B | C | D |
|---------|-------|-------|--------|--------|
| 4DST14 | 4.00" | 6.50" | 14.00" | 27.00" |
| 5DST14 | 5.00" | 8.00" | 14.00" | 28.25" |
| 4DST36 | 4.00" | 6.50" | 36.00" | 49.00" |
| 5DST36 | 5.00" | 8.00" | 36.00" | 50.25" |

HORIZONTAL TERMINATION



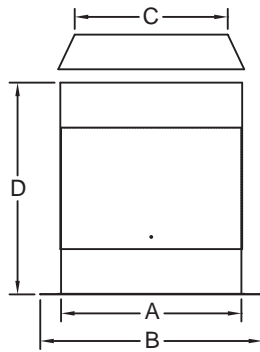
| CAT NO. | A | B | C | D |
|---------|-------|--------|--------|--------|
| 8DVHT | 7.94" | 11.11" | 15.00" | 15.00" |

INSULATION SHIELD



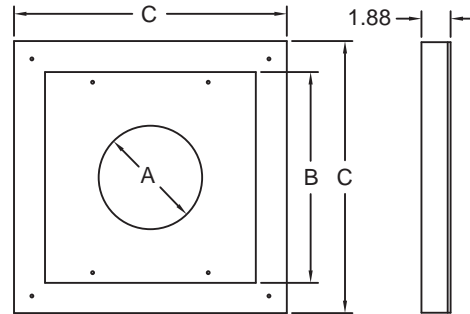
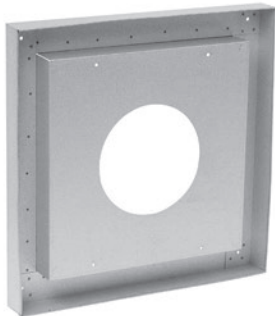
| CAT NO. | A | B |
|---------|--------|--------|
| 4DIS | 8.63" | 17.00" |
| 5DIS | 10.00" | 19.00" |

INSULATION SHIELD



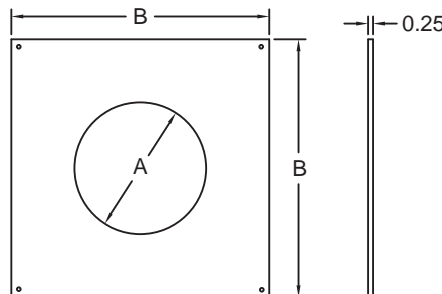
| CAT NO. | A | B | C | D |
|---------|--------|--------|--------|------------------|
| 8DVIS | 13.00" | 16.00" | 11.00" | 12.00" to 22.00" |

VINYL SIDING STAND OFF



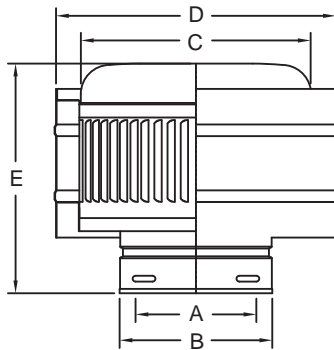
| CAT NO. | A | B | C |
|---------|-------|--------|--------|
| 4DVS | 6.75" | 13.25" | 17.50" |
| 5DVS | 8.25" | 15.75" | 19.88" |

DECORATIVE COVER PLATE



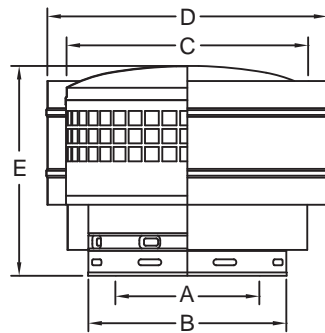
| CAT NO. | A | B |
|---------|-------|--------|
| 4DCP | 6.64" | 13.00" |
| 5DCP | 8.16" | 13.00" |

VERTICAL TERMINATION



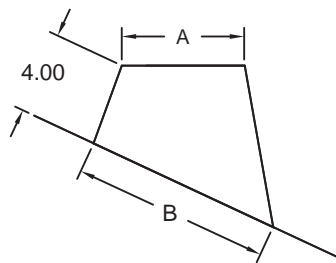
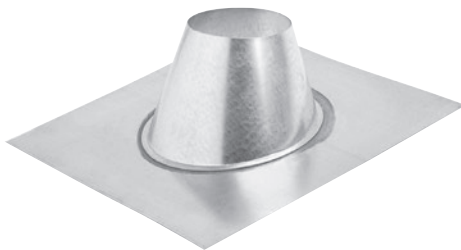
| CAT NO. | A | B | C | D | E |
|---------|-------|-------|--------|--------|--------|
| 4DVT | 4.00" | 6.50" | 10.00" | 12.00" | 10.00" |
| 5DVT | 5.00" | 8.00" | 12.00" | 14.00" | 10.00" |

VERTICAL TERMINATION



| CAT NO. | A | B | C | D | E |
|---------|-------|--------|--------|--------|--------|
| 8DVVT | 8.00" | 11.00" | 13.50" | 15.50" | 11.63" |

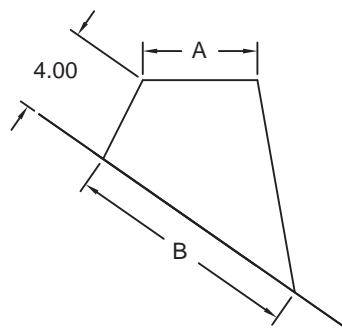
FLASHING



| CAT NO. | A | B | PLATE SIZE |
|---------|--------|--------|-----------------|
| 4DF | 6.75" | 9.50" | 17.50" x 17.50" |
| 5DF | 8.25" | 11.00" | 19.00" x 19.00" |
| 8DVF | 11.18" | 14.63" | 22.38" x 22.38" |

Fits roof pitch from 1/12 to 5/12

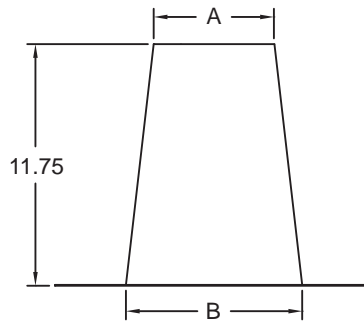
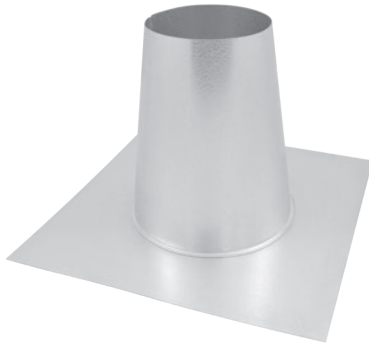
FLASHING



| CAT NO. | A | B | PLATE SIZE |
|---------|--------|--------|-----------------|
| 4DF-12 | 6.69" | 12.50" | 21.00" x 28.00" |
| 5DF-12 | 8.19" | 18.00" | 21.00" x 28.00" |
| 8DVF-12 | 11.25" | 22.75" | 30.75" x 28.00" |

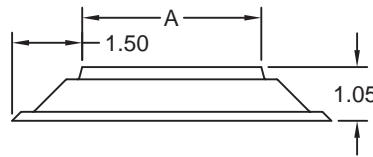
Fits roof pitch from 6/12 to 12/12

TALL CONE FLASHING



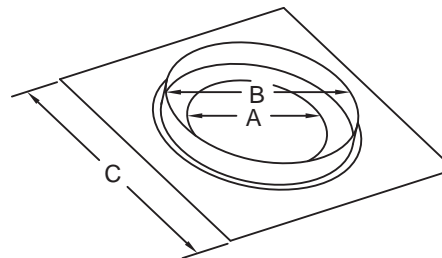
| CAT NO. | A | B | PLATE SIZE |
|---------|-------|--------|-----------------|
| 4DFT | 6.60" | 9.50" | 17.50" x 17.50" |
| 5DFT | 8.10" | 11.03" | 19.00" x 19.00" |

STORM COLLAR



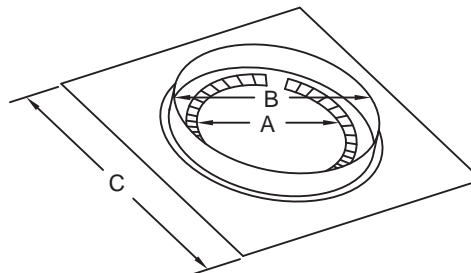
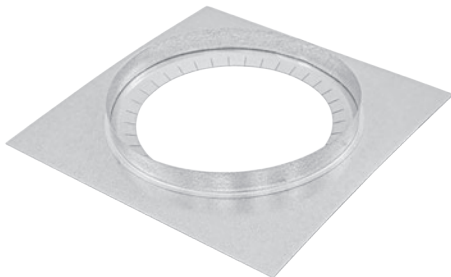
| CAT NO. | A |
|---------|--------|
| 4DSC | 6.54" |
| 5DSC | 8.03" |
| 8DVSC | 11.00" |

VERTICAL FIRESTOP



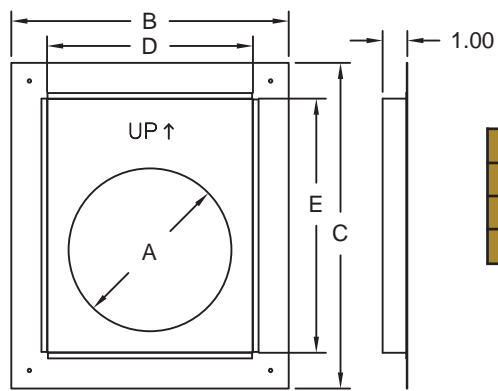
| CAT NO. | A | B | C |
|---------|--------|--------|--------|
| 4DFS | 6.56" | 8.50" | 10.50" |
| 5DFS | 8.06" | 10.00" | 13.00" |
| 8DVFSV | 11.13" | 13.00" | 16.00" |

VERTICAL SUREGRIP SUPPORT & FIRESTOP



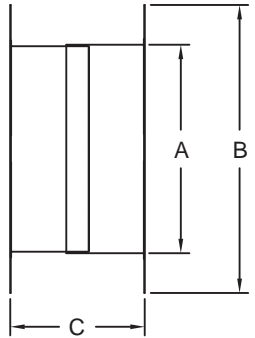
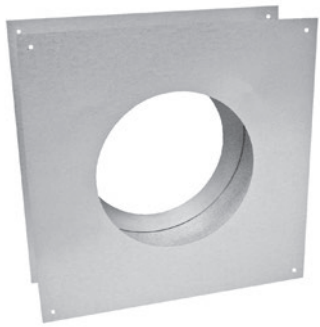
| CAT NO. | A | B | C |
|---------|-------|--------|--------|
| 4DSPFS | 6.45" | 8.50" | 12.00" |
| 5DSPFS | 7.98" | 10.00" | 13.00" |

HORIZONTAL FIRESTOP



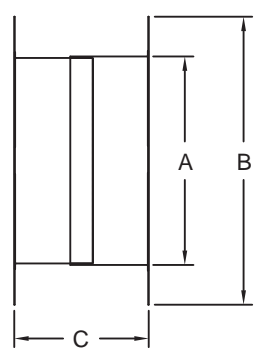
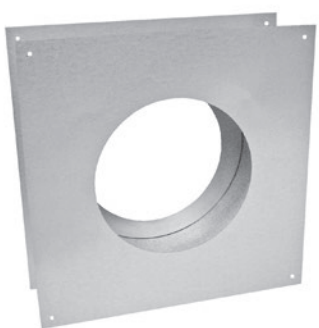
| CAT NO. | A | B | C | D | E |
|---------|--------|--------|--------|--------|--------|
| 4DFSH | 6.75" | 11.50" | 13.50" | 8.50" | 10.50" |
| 5DFSH | 8.25" | 13.00" | 15.00" | 10.00" | 12.00" |
| 8DVFSH | 11.25" | 16.00" | 18.00" | 13.00" | 15.00" |

WALL THIMBLE



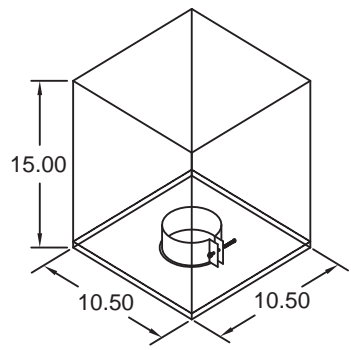
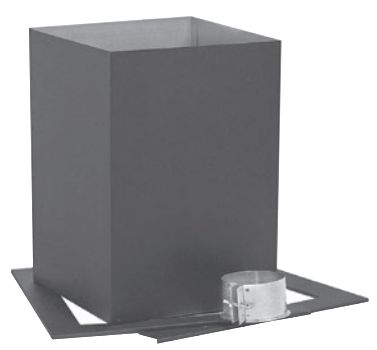
| CAT NO. | A | B | C |
|---------|--------|--------|---------------|
| 4DWT | 8.69" | 12.00" | 4.00" x 6.50" |
| 5DWT | 10.18" | 12.00" | 4.00" x 6.50" |

WALL THIMBLE



| CAT NO. | A | B | C |
|---------|--------|--------|---------------|
| 4DWT11 | 8.69" | 12.00" | 6.50" x 9.00" |
| 5DWT11 | 10.18" | 12.00" | 6.50" x 9.00" |

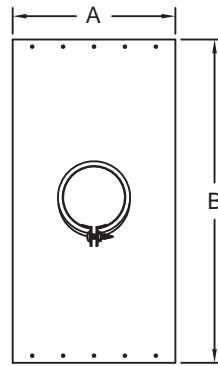
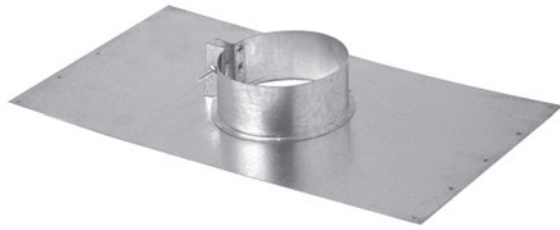
PAINTED ROOF SUPPORT



| CAT NO. |
|---------|
| 4DRS |
| 5DRS |

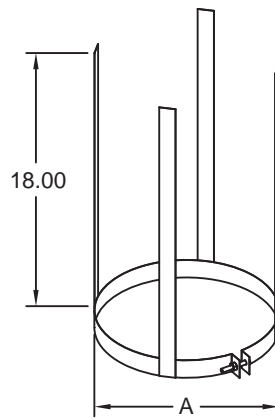
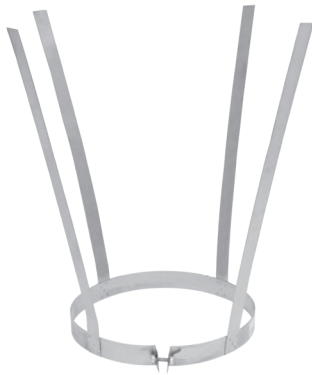
Note: Trim plates and collar included as shown.

SUPPORT PLATE



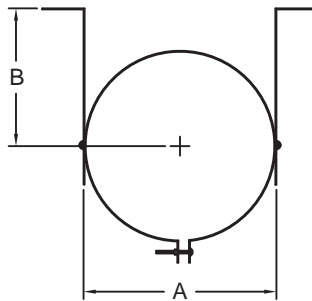
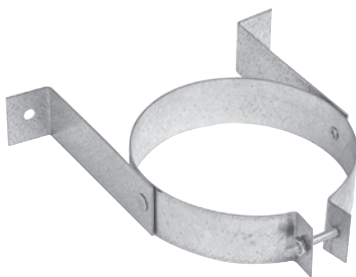
| CAT NO. | A | B |
|---------|--------|--------|
| 4DSP | 12.00" | 17.00" |
| 5DSP | 13.50" | 17.00" |
| 8DVSP | 16.00" | 16.00" |

SUPPORT STRAP



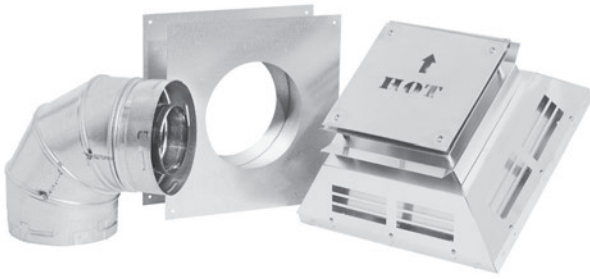
| CAT NO. | A |
|---------|--------|
| 8DVSS | 11.00" |

WALL SUPPORT



| CAT NO. | A | B |
|---------|-------|-------|
| 4DWS | 6.63" | 4.88" |
| 5DWS | 8.06" | 5.53" |

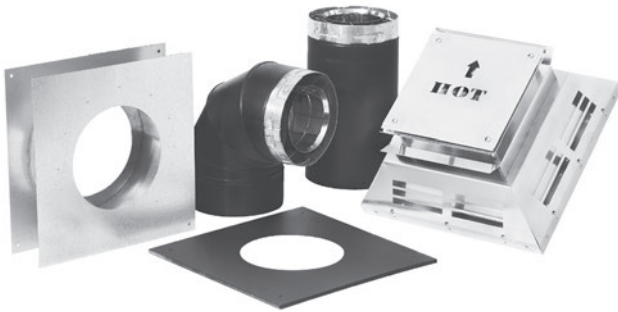
HORIZONTAL INSTALLATION KIT A



CAT NO.
4DHTKA

- 90° Elbow
- Horizontal Termination
- Wall Thimble

HORIZONTAL INSTALLATION KIT B



CAT NO.
4DHTKB

- 24" Straight Length - Black
- 90° Elbow - Black
- Horizontal Termination
- Wall Thimble
- Decorative Cover Plate - Black

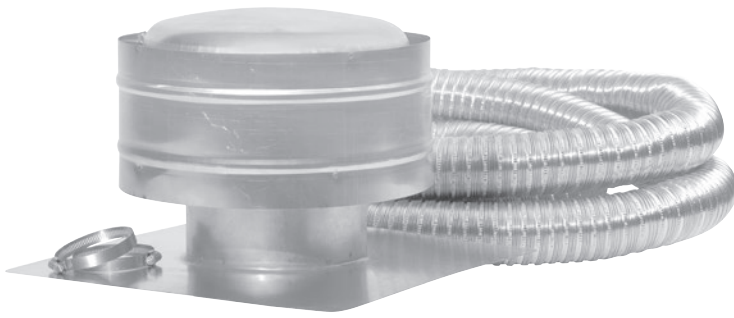
VERTICAL INSTALLATION KIT



CAT NO.
4DVTK

- Vertical Termination
- Storm Collar
- Flashing 1/12 - 5/12

MASONRY CHIMNEY RELINE KIT



CAT NO.

4DVT33FK & 4DVT43FK

- Dual 2-Ply 3" or 4" Flexible Aluminum Liners
- Chimney Flashing - Flat
- Vertical Termination
- 2-Clamp Bands
- 35' Flexible Liner Length

HORIZONTAL SLIP ADAPTER KIT



CAT NO.

4DSLPHTK

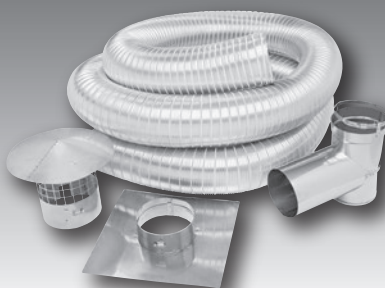
- 6" Straight Length
- Adjustable Length
- Adjustable Slip Connector
- Horizontal Firestop
- Economy Horizontal Termination

TYPE-B GAS VENT



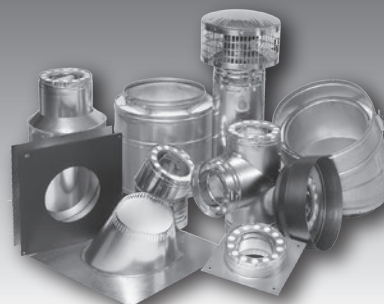
Easiest installation on the market...featuring SureLock™ B-Vent Locking System.

FLEXIBLE CHIMNEY LINERS



Flexible liners, connectors and relining kits.

SOLID FUEL



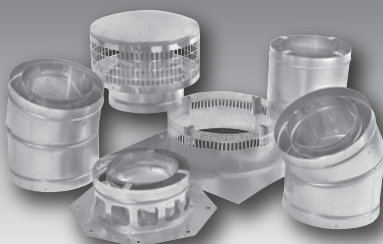
Complete line of Solid Fuel Chimney and Black Pipe.

CORR/GUARD®



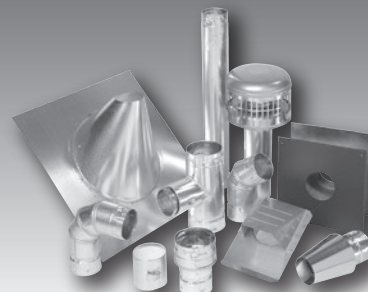
Designed for corrosive appliances and exhaust systems.

AIR-COOLED TEMP/GUARD®



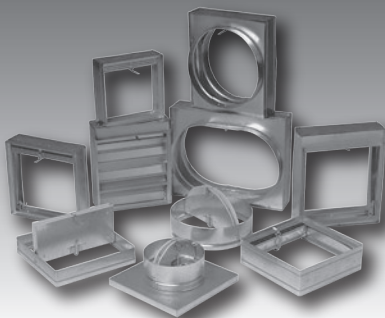
For use with masonry fireplaces which burn wood, oil, coal or gas.

BIOMASS



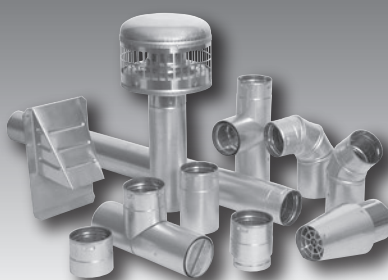
Designed for use with pellet, corn or wheat-fired appliances.

DAMPERS



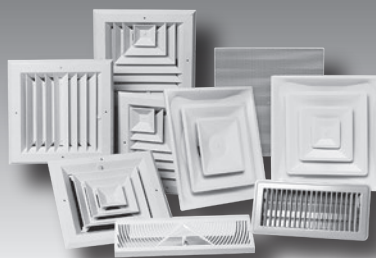
Full line of fire & ceiling radiation dampers. Capacity to fill high volume orders 100%.

PREMIUM BIOMASS



Designed for use with pellet corn or wheat-fired appliances.

GRILLES & REGISTERS



A quality, complete line including 2x2 and extruded aluminum.

800-835-2830

