



Trim Kit Installation Instructions

Model: AVFL42TKI

This trim kit is designed for use on the AVFL42 and AVFLST42 model fireplaces.

Read these instruction thoroughly before beginning installation.

KIT CONTENTS:

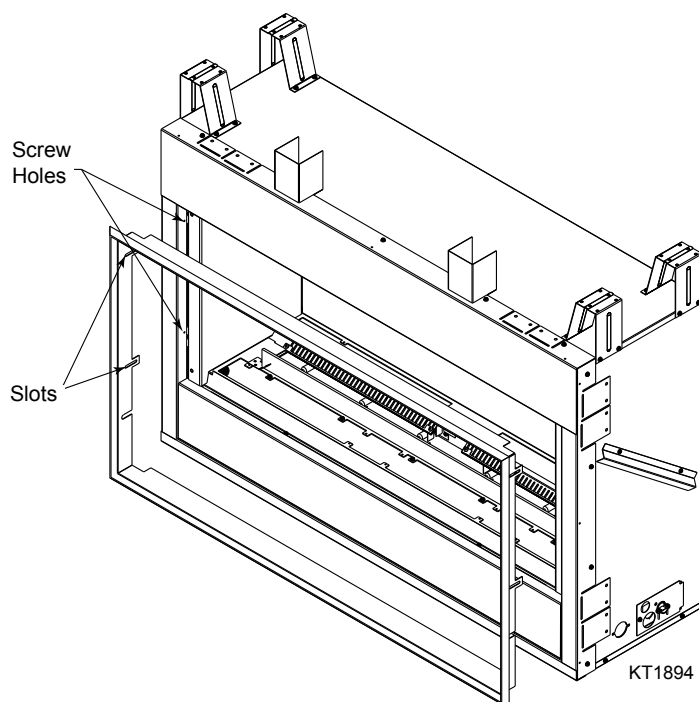
- Trim kit frame
- Four (4) #8 x 1/2" sheet metal screws
- Control access panel

TOOLS REQUIRED:

- Phillips screwdriver

INSTALLATION INSTRUCTIONS:

1. Remove screen.
2. Raise the panel and squeeze the two spring-loaded tabs inwards to remove the access panel. This panel can be discarded.
3. Place the trim frame over the face of the unit.
4. Align two (2) slots with the two (2) screw holes on each side.
5. Secure in place with the #8 screws included (two (2) on each side.)
6. Squeeze the spring loaded tabs of the supplied access panel inwards and align the ends of the tabs with the holes in the appliance.
7. Lower the access panel and push in to lock the panel in place.



Monessen, a brand of Hearth & Home Technologies
7571 215th Street West, Lakeville, MN 50044
www.monessenhearth.com