



# Stainless Steel Outdoor Kit Installation Instructions

## Model: AVFLSTSSODK

This stainless steel outdoor kit is designed to allow installation of the model AVFLST42 see-through fireplace on an exterior wall so the control side is on the interior of the building, and the opposite side is viewable from outside the building.

This kit comes pre-assembled and ready to install. It must be installed on the unit before the fireplace is secured into its final position.

After installation, exterior noncombustible finishing material such as stone or brick may be placed over the outer surround of the facing kit only. Do not cover any portion of the inner glass window frame.

**NOTE:** Remove four shipping brackets from each corner on the inside of the face prior to installation.

### Kit contents:

- Facing kit assembly ..... 1
- Side face caps ..... 2
- Glass door assembly ..... 1
- #8 X 1/2" hex head screws ..... 12
- #8 X 1/2" ss hw tek screws ..... 6
- #8 X 1" ss epoxy coated pan head screws ..... 3
- 24 x 1" Phillips pan head screws ..... 10
- #10 x 1/2" od fender washer, zinc plated ..... 10
- Installation brackets ..... 6
- Instructions ..... 1

### Tools/Supplies required:

- Short handle Phillips head screwdriver
- Long handle Phillips head screwdriver
- Caulk gun & caulk suitable for outside use

**NOTE:** To improve the thermal insulation properties of your outdoor kit, we recommend installing four (4) strips of noncombustible insulation (not supplied) behind the facing kit inside the perimeter of the outer frame. Before installing the face, install insulation with a thin coat of construction adhesive. Figure 1.

### Installation Instructions

**NOTE:** The stainless steel outdoor kit can only be installed on the side of the fireplace designed to face the outside of the building. The interior side of the fireplace has the control system accessible through the lower access panel.

1. Remove all loose contents from the AVFLST42 see-through fireplace including hardware, packaging materials, screens and both access panels.
2. Carefully lean unit so the outdoor side is facing up. Use a helper or lean against a suitable prop.
3. Remove the black face from the non-control side of the unit held in place by 24 screws (four on the left, four on the right, four on the bottom, five on the top, four on the inner firebox and three on the top of the inner firebox.) See Figure 2. Both noncombustible brackets and standoffs must be removed on the non-control side and may be discarded.
4. Install face caps to left and right sides of fireplace using supplied screws. Figure 3.

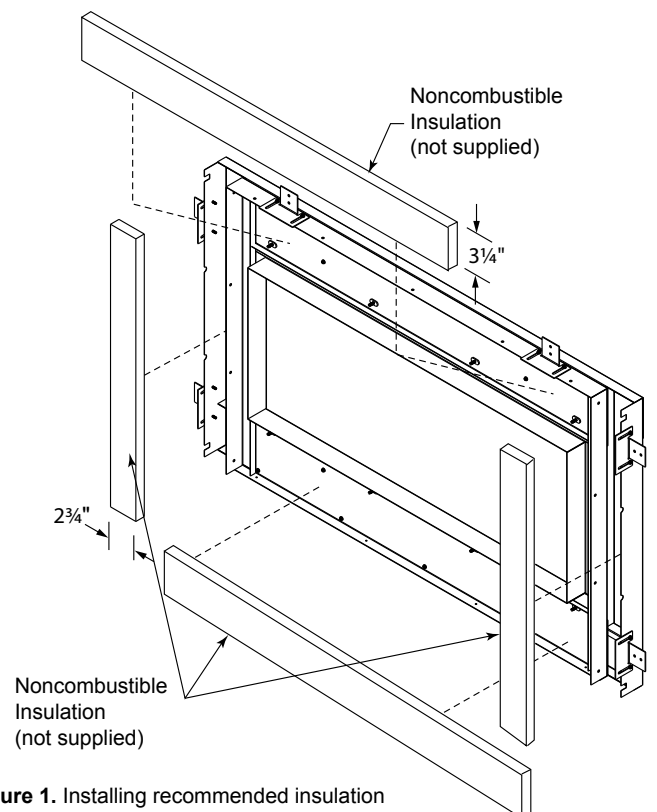


Figure 1. Installing recommended insulation

5. Install the glass door seal bracket with the three (3) Phillips pan head screws that were on the top of the inner firebox. Figure 3.

**NOTE:** Before proceeding, ensure the glass on the outdoor side of the fireplace is cleaned thoroughly.

6. Install the glass door by aligning the fingers at the top of the door frame with the slots inside the glass door seal bracket, and slide into place at an angle. After fingers are fully engaged, rest the glass door against the bottom of the firebox to align the three mounting holes. Use the supplied screws to secure in place. See Figure 4.

7. Affix the outdoor kit to the top and sides of the unit using supplied #8 stainless steel screws.
8. Carefully return fireplace to upright position.
9. Install installation brackets. Installation brackets can be positioned to accommodate the thickness of the outer wall sheathing. Figure 6.

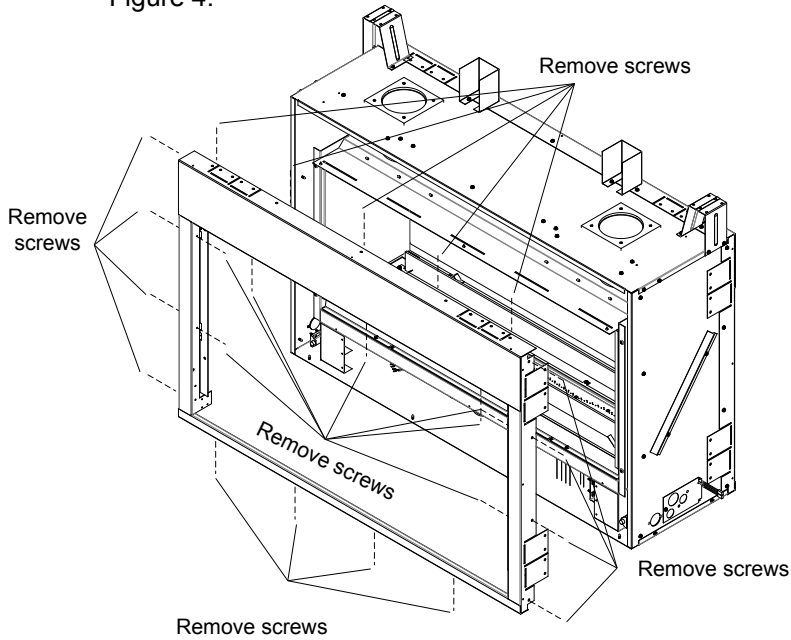


Figure 2. Remove the black face from the unit

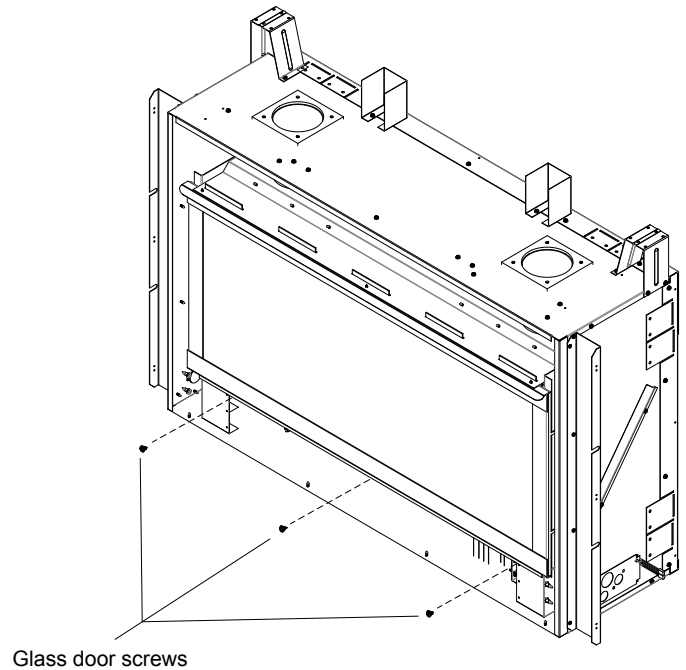


Figure 4. Glass door and face caps installed

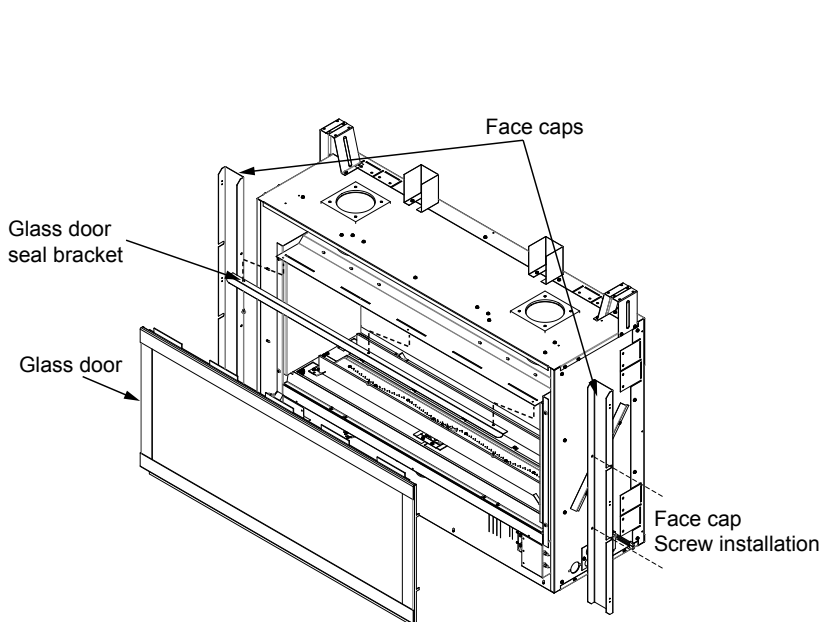


Figure 3. Install glass door and face caps

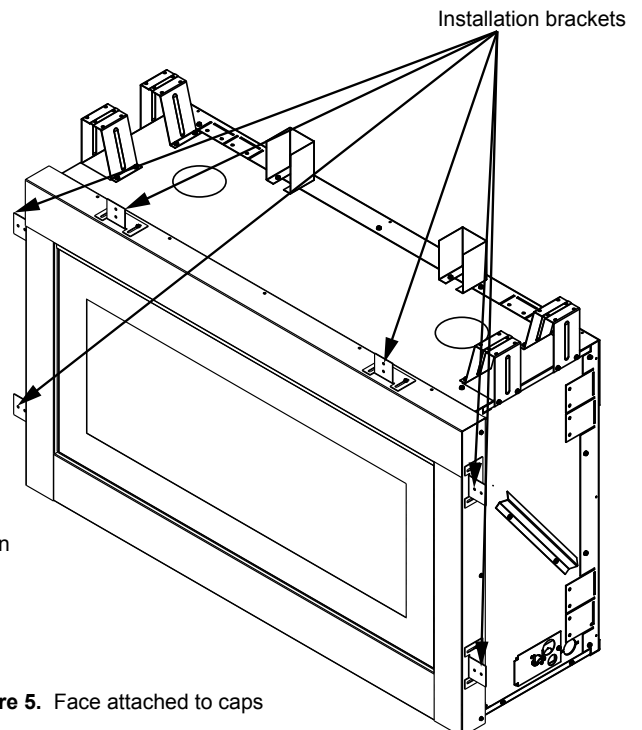
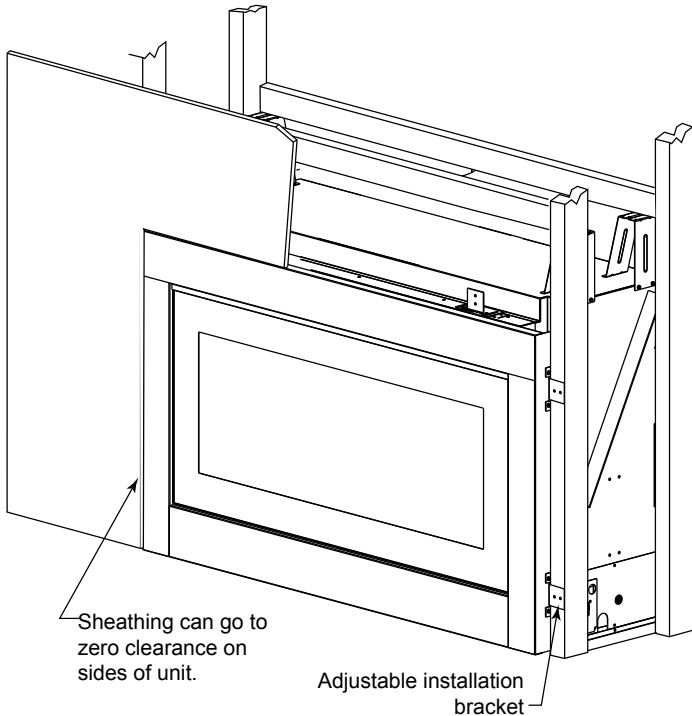
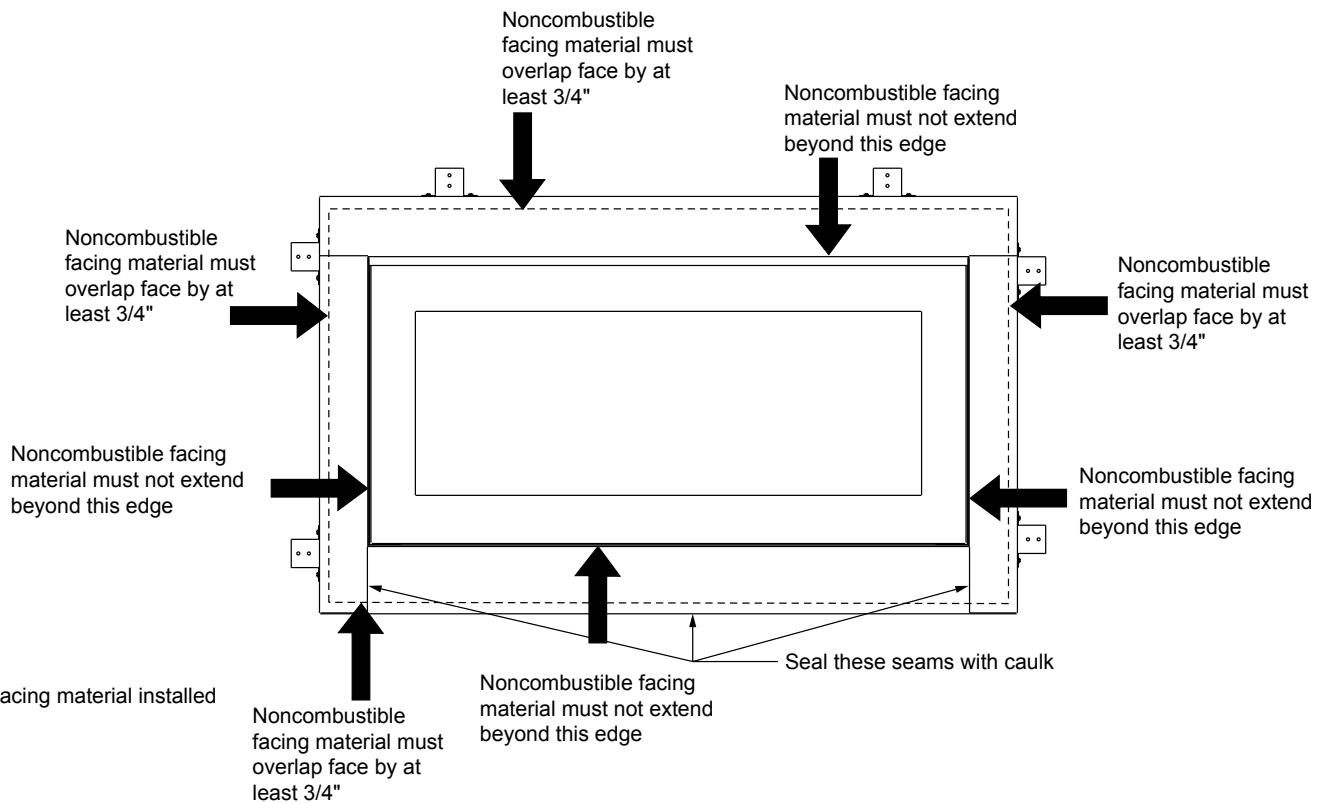


Figure 5. Face attached to caps

10. Position fireplace in final installation location. Secure the installation brackets to the wall framing. Install electrical supply, gas supply and venting according to installation instructions supplied with your fireplace.
11. Install facing material, following the parameters in the figure below. Caulk around facing material to weather-seal facing kit. Figure 7.



**Figure 6.** Installation bracket and sheathing



**Figure 7.** Facing material installed



LOVE AT FIRST LIGHT

149 Cleveland Drive • Paris, Kentucky 40361  
[www.monessenhearth.com](http://www.monessenhearth.com)