



# Installation and Operation Instructions Superior™ B-Vent Gas Decorative Fireplace

P/N 126745-01 Rev. D 10/2014



P126745-01



REPORT NO. F09-157

## Models


**BRT2032TMN BRT2332TMN BRT2532TMN**

**INSTALLER:** Leave this manual with the appliance.  
**CONSUMER:** Retain this manual for future reference.

**Installateur :** Laissez cette notice avec l'appareil.  
**Consommateur :** Conservez cette notice pour consultation ultérieure.

This appliance may be installed in an aftermarket permanently located, manufactured home (USA only) or mobile home, where not prohibited by local codes. This appliance is only for use with the type of gas indicated on the rating plate. This appliance is not convertible for use with other gases, unless a certified kit is used.

# **WARNING AVERTISSEMENT AVISO**

 <p><b>HOT GLASS WILL CAUSE BURNS.</b></p> <p><b>DO NOT TOUCH GLASS UNTIL COOLED.</b></p> <p><b>NEVER ALLOW CHILDREN TO TOUCH GLASS.</b></p>	<p><b>UNE SURFACE VITRÉE CHAUDE PEUT CAUSER DES BRÛLURES.</b></p> <p><b>LAISSER REFROIDIR LA SURFACE VITRÉE AVANT D'Y TOUCHER.</b></p> <p><b>NE PERMETTEZ JAMAIS À UN ENFANT DE TOUCHER LA SURFACE VITRÉE.</b></p>	<p><b>EL VIDRIO CALIENTE CAUSARÁ QUEMADURAS.</b></p> <p><b>USTED DEBE NUNCA TOCAR EL VIDRIO CALIENTE.</b></p> <p><b>LOS NIÑOS DEBEN NUNCA TOCAR EL VIDRIO.</b></p>
--	--	--

**WARNING:** If the information in these instructions is not followed exactly, a fire or explosion may result causing property damage, personal injury or death.

- Do not store or use gasoline or other flammable vapors and liquids in the vicinity of this or any other appliance.
- **WHAT TO DO IF YOU SMELL GAS:**
  - Do not try to light any appliance.
  - Do not touch any electrical switch; do not use any phone in your building.
  - Immediately call your gas supplier from a neighbor's phone. Follow the gas supplier's instructions.
  - If you cannot reach your gas supplier, call the fire department.
- Installation and service must be performed by a qualified installer, service agency or the gas supplier.

**AVERTISSEMENT :** Assurez-vous de bien suivre les instructions données dans cette notice pour réduire au minimum le risque d'incendie ou d'explosion ou pour éviter tout dommage matériel, toute blessure ou la mort.

- Ne pas entreposer ni utiliser d'essence ni d'autres vapeurs ou liquides inflammables dans le voisinage de cet appareil ou de tout autre appareil.
- **QUE FAIRE SI VOUS SENTEZ UNE ODEUR DE GAZ :**
  - Ne pas tenter d'allumer d'appareil.
  - Ne touchez à aucun interrupteur. Ne pas vous servir des téléphones se trouvant dans le bâtiment où vous trouvez.
  - Appelez immédiatement votre fournisseur de gaz depuis un voisin. Suivez les instructions du fournisseur.
  - Si vous ne pouvez rejoindre le fournisseur de gaz, appelez le service des incendies.
- L'installation et l'entretien doivent être assurés par un installateur ou un service d'entretien qualifié ou par le fournisseur de gaz.

**Thank you for your purchase. We appreciate your business!**

Please carefully read and follow all instructions in this manual. **Pay special attention to all warnings and safety information.**

Following these safety, care, and operation instructions will help ensure many years of dependable and enjoyable service from your fireplace.

**Register your product online today!**

To help us keep you up-to-date on product information and offers, please take a few moments to register your product online at [Superiorfireplaces.US.com](http://Superiorfireplaces.US.com) (**Owner Resources/Product Registration**).

**Please read and understand these instructions before installing or operating.**



We recommend that our gas hearth products be installed and serviced by professionals who are certified in the U.S. by the National Fireplace Institute® (NFI) as NFI Gas Specialists.

www.nficertified.org

## TABLE OF CONTENTS

Safety .....	2
Unpacking .....	4
Introduction .....	4
Product Specification .....	5
Selecting Location.....	6
Pre-Installation Preparation .....	7
Requirements for The Commonwealth of Massachusetts .....	9
Venting Installation .....	10
Fireplace Installation .....	12
Operation .....	18
Inspecting Burners .....	20
Cleaning and Maintenance .....	20
Troubleshooting .....	21
Replacement Parts.....	23
Service Hints.....	23
Technical Service .....	23
Accessories.....	23
Parts .....	24
Wiring Diagram.....	29
Warranty .....	31

## SAFETY

**⚠ WARNING: Improper installation, adjustment, alteration, service or maintenance can cause injury or property damage. Refer to this manual for correct installation and operational procedures. For assistance or additional information consult a qualified installer, service agency or the gas supplier.**

**This appliance may be installed in an aftermarket,\* permanently located, manufactured (mobile) home, where not prohibited by local codes.**

**This appliance is only for use with the type of gas indicated on the rating plate. This appliance is not convertible for use with other gases, unless a certified kit is used.**

**\* Aftermarket: Completion of sale, not for purpose of resale, from the manufacturer**

**NOT FOR USE WITH SOLID FUEL  
CHECK LOCAL CODES PRIOR TO INSTALLATION**

### SAVE THIS BOOK

**This book is valuable. In addition to instructing you on how to install and maintain your appliance, it also contains information that will enable you to obtain replacement parts or optional accessory items when needed. Keep it with your other important papers.**

**State of Massachusetts: The installation must be made by a licensed plumber or gas fitter in the Commonwealth of Massachusetts.**

**⚠ WARNING: This product contains and/or generates chemicals known to the State of California to cause cancer or birth defects or other reproductive harm.**

**IMPORTANT: Read this owner's manual carefully and completely before trying to assemble, operate or service this fireplace. Improper use of this fireplace can cause serious injury or death from burns, fire, explosions, electrical shock and carbon monoxide poisoning.**

**⚠ DANGER: Carbon monoxide poisoning may lead to death!**

## SAFETY *Continued*

This fireplace is a vented product. This fireplace will not produce any gas leakage into your home if properly installed. This fireplace must be properly installed by a qualified service person. If this unit is not properly installed by a qualified service person, gas leakage can occur.

**Carbon Monoxide Poisoning:** Early signs of carbon monoxide poisoning resemble the flu, with headaches, dizziness or nausea. If you have these signs, the fireplace may not have been installed properly. Get fresh air at once! Have fireplace inspected and serviced by a qualified service person. Some people are more affected by carbon monoxide than others. These include pregnant women, people with heart or lung disease or anemia, those under the influence of alcohol and those at high altitudes.

**Propane/LP and Natural Gas:** Both are odorless. An odor-making agent is added to each of these gases. The odor helps you detect a gas leak. However, the odor added to these gases can fade. Gas may be present even though no odor exists.

Make certain you read and understand all warnings. Keep this manual for reference. It is your guide to safe and proper operation of this fireplace.

**⚠ WARNING: Any change to this fireplace or its controls can be dangerous.**

1. This appliance is only for use with the type of gas indicated on the rating plate. This appliance is not convertible for use with other gases unless a certified kit is used.
2. For propane/LP fireplace, do not place propane/LP supply tank(s) inside any structure. Locate propane/LP supply tank(s) outdoors. To prevent performance problems, do not use propane/LP fuel tank of less than 100 lb capacity.
3. If you smell gas
  - shut off gas supply
  - do not try to light any appliance
  - do not touch any electrical switch; do not use any phone in your building
  - immediately call your gas supplier from a neighbor's phone. Follow the gas supplier's instructions
  - if you cannot reach you gas supplier, call the fire department.
4. Never install the fireplace
  - in a recreational vehicle
  - where curtains, furniture, clothing or other flammable objects are less than 42" from the front, top or sides of the fireplace
  - in high traffic areas
  - in windy or drafty areas
5. This fireplace reaches high temperatures. Keep children and adults away from hot surfaces to avoid burns or clothing ignition. Fireplace will remain hot for a time after shutdown. Allow surfaces to cool before touching.
6. Carefully supervise young children when they are in the room with fireplace.
7. A hearth extension is not required with this appliance. If one is installed, it is for aesthetic purposes only and does not have to meet the standard requirements.
8. Turn fireplace off and let cool before servicing or repairing. Only a qualified service person should install, service or repair this fireplace. Have fireplace inspected annually by a qualified service person.
9. You must keep control compartments, burners and circulating air passages clean. More frequent cleaning may be needed due to excessive lint and dust from carpeting, bedding material, etc. Turn off the gas valve and pilot light before cleaning fireplace.
10. Have venting system inspected annually by a qualified service person. If needed, have venting system cleaned or repaired. See Cleaning and Maintenance, page 20.
11. Keep the area around your fireplace clear of combustible materials, gasoline and other flammable vapor and liquids. Do not run fireplace where these are used or stored. Do not place items such as clothing or decorations on or around fireplace.
12. Do not use this fireplace to cook food or burn paper or other objects.
13. Do not use any solid fuels (wood, coal, paper, cardboard, etc.) in this fireplace. Use only the gas type indicated on fireplace nameplate.
14. This appliance, when installed, must be electrically grounded in accordance with local codes or, in the absence of local codes, with the National Electrical Code, ANSI/NFPA 70.
15. Do not install fireplace directly on carpeting, vinyl tile or any combustible material other than wood. The fireplace must set on a metal or wood panel extending the full width and depth of the fireplace.
16. Do not use fireplace if any part has been exposed to or under water. Immediately call a qualified service person to arrange for replacement of the unit.
17. Do not operate fireplace if any log is broken.
18. Do not use a blower insert, heat exchanger insert or other accessory not approved for use with this fireplace.
19. Provide adequate clearances around air openings.

## UNPACKING

The following items are packed inside the firebox. Remove before positioning firebox into framing.

- Ceramic Log Pack - Shrink wrapped on cardboard
- 3 plastic bags containing lava rock, pan and ember materials
- Rear Log (BRT2332TMN/BRT2532TMN Models Only). Remove 2 plastic quick ties from around burner and grate
- Grate Stand - Lift off of burner pan

Check all items for any shipping damage. If damaged, promptly inform dealer or distributor where you bought the product.

Retain these items for later installation.

## INTRODUCTION

These fireplace models are vented gas fireplaces that use a millivolt gas control valve with a millivolt ignition system. 25" models have a 5" B-vent and 24" models have a 4" B-vent. A properly sized B-Type venting system and listed type vent cap are not supplied but are required for proper operation. See venting instructions on page 10.

**⚠ WARNING: This gas appliance must not be connected to a chimney flue servicing a solid fuel burning appliance.**

These models are factory equipped for use with natural gas and must be converted when intended for use with propane/LP gas. Conversion kits PCBM-324 and PCBM-325 may be purchased for simple conversion to propane/LP gas. See [Accessories](#), page 23.

### BEFORE YOU BEGIN

Before beginning the installation of your appliance, read these instructions completely.

This INNOVATIVE HEARHT PRODUCTS (IHP) appliance and its approved components are safe when installed according to this installation manual and are operated as recommended by IHP. Using any component for IHP approved and tested for use with this appliance **MAY CAUSE A FIRE HAZARD!**

The IHP warranty will be voided by, and IHP disclaims any responsibility for the following actions:

- A) Modification of the appliance or any of the components.
- B) Use of any component part not approved by IHP in combination with this appliance.
- C) Installation and/or operation in a manner other than instructed in this manual.
- D) The burning of anything other than the type of gas approved for use in this gas appliance.

Installation must conform with local codes or, in the absence of local codes, with the current National Fuel Gas Code, ANSI Z223.1. This fireplace complies with the National Safety Standards and is listed and tested by PFS Corporation to ANSI Z21.50/CSA 2.22 standard as vented gas fireplace.

**NOTICE: Decorative product not for use as a heating appliance.**

**⚠ WARNING: Installation of this appliance should be done by a qualified service person well trained in the installation of such appliances. You will also need a building permit from your local Building and Safety Commissioner before installing this appliance; otherwise your insurance co. may not cover this appliance.**

**⚠ CAUTION: Do not connect appliance before pressure testing gas piping. Damage to gas valve may result and an unsafe condition may be caused.**

**WARNING:** Young children should be carefully supervised when they are in the same room as the appliance. Toddlers, young children, and others may be susceptible to accidental burns. A physical barrier is recommended if there are to be at-risk individuals in the house. To restrict access to a fireplace or stove, install an adjustable safety gate to keep toddlers, young children, and other at-risk individuals out of and away from hot surfaces.

The appliance and its individual shutoff valve must be disconnected from the gas supply piping system during any pressure testing of that system at test pressures in excess of 1/2 psig (3.5 kPa).

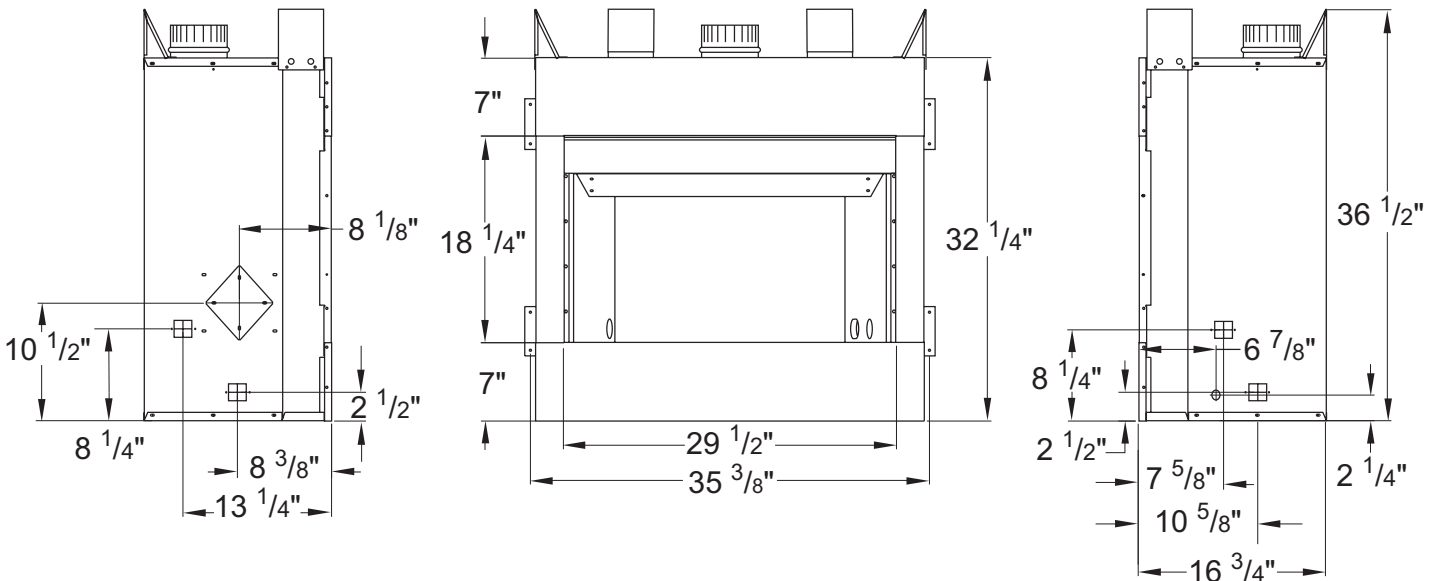
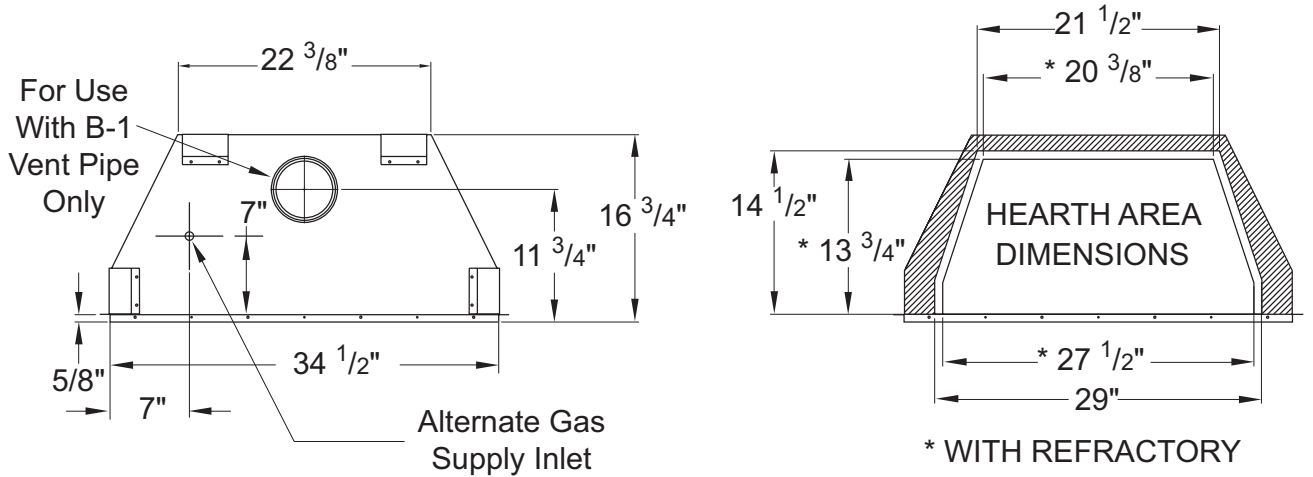
The appliance must be isolated from the gas supply piping system by closing its individual manual shutoff valve during any pressure testing of the gas supply piping system at test pressures equal to or less than 1/2 psig (3.5 kPa).

For the purpose of input adjustment two pressure taps (for IN and OUT pressures) are provided on the gas control valve for test gauge connections to the appliance.

This fireplace may not be installed in manufactured (mobile) housing constructed to HUD standards. The fireplace may be installed in aftermarket, non-HUD manufactured housing provided its installation complies with State and Local Codes and in the absence of these codes complies with the National Fuel Gas Code ANSI Z223.1 NFPA 54..

## PRODUCT SPECIFICATION

GAS RATING - NATURAL		
	BRT2032TMN	BRT2332TMN AND BRT2532TMN
Max. Input Rating	15,000 Btu/Hr	25,000 Btu/Hr
Manifold Pressure	3.5" WC (0.87 kPa)	3.5" WC (0.87 kPa)
Minimum Supply Pressure	4.5" WC (1.12 kPa)	4.5" WC (1.12 kPa)
Maximum Supply Pressure	10.5" WC (2.66 kPa)	10.5" WC (2.66 kPa)
Orifice Size	# 49	# 40
GAS RATING - PROPANE/LP		
Max. Input Rating	15,000 Btu/Hr	25,000 Btu/Hr
Manifold Pressure	10" WC (2.49 kPa)	10" WC (2.49 kPa)
Minimum Supply Pressure	11" WC (2.74 kPa)	11" WC (2.74 kPa)
Maximum Supply Pressure	13" WC (3.23 kPa)	13" WC (3.23 kPa)
Orifice Size	# 56	# 54



**Figure 1 - Appliance Dimensions**

## SELECTING LOCATION

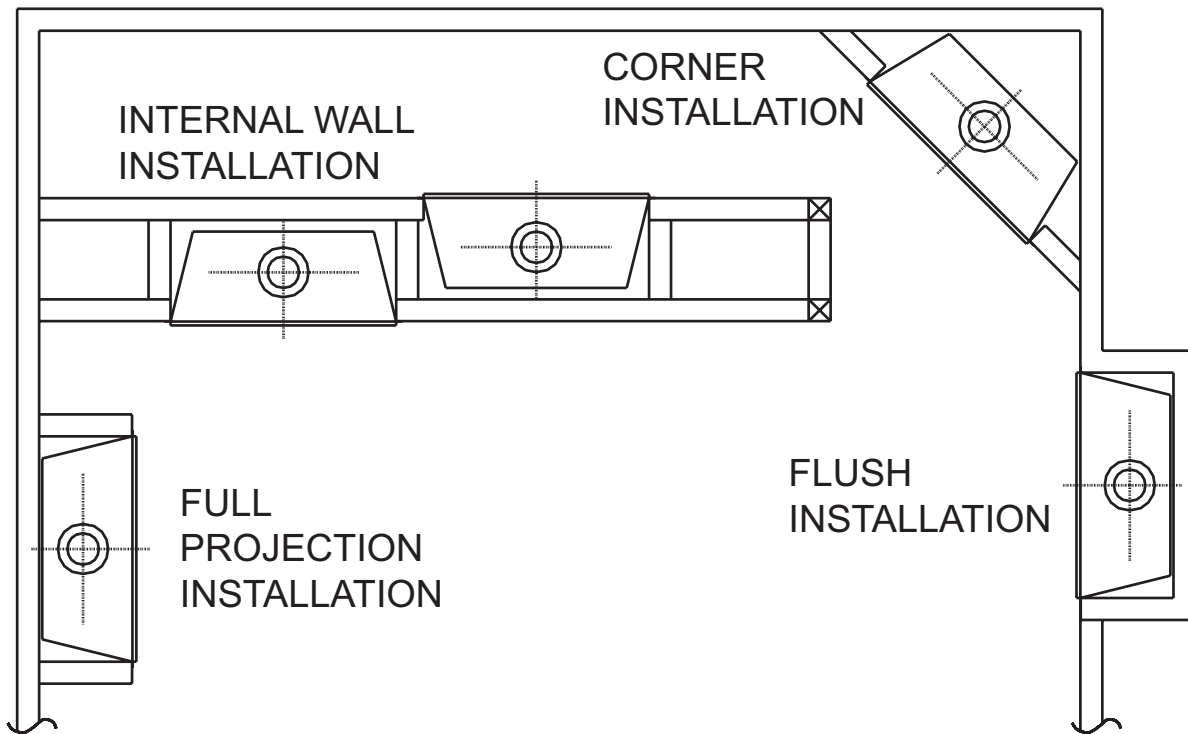
To determine the safest and most efficient location for your appliance, you must take into consideration the following guidelines:

1. The location must allow for proper clearances (see [Clearances](#), page 7).
2. Consider a location where heat output would not be affected by drafts, air conditioning ducts, windows, or doors.
3. A location that avoids the cutting of joists or roof rafters will make installation easier. Figure 2 shows a plan view of a few common locations.

Flush installations are recommended where living space is limited or at a premium, and since the space required to enclose the appliance would be located beyond an outside wall, this would also reduce the cutting of joists, roof rafters, and such. Check local codes for any restrictions.

Projected installations can extend any distance into the room. A projection may be ideal for a new addition on an existing, finished wall. Corner installations make use of space that may not normally be used and provides a wider and more efficient range for radiant heat transference.

Internal wall installations provide a discreet option for room separation and can also be ideal as an addition to an existing wall.



*Figure 2 - Possible Locations for Installing Fireplace*



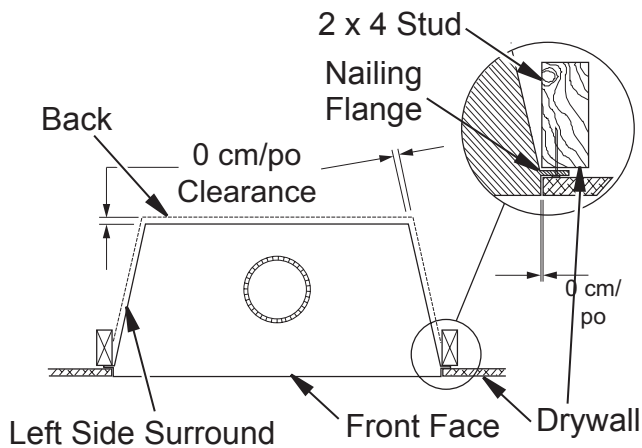
## PRE-INSTALLATION PREPARATION

### CLEARANCES

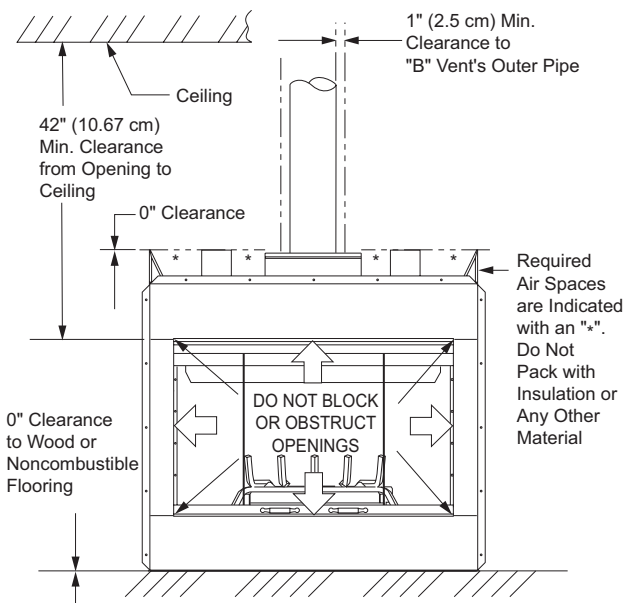
Minimum clearances to combustibles are:

Ceiling	40" min.
Top of Spacers	0" min.
Back and Sides of Outer Surround	0" min.
Drywall to Sides of Front Face (Nailing Flanges)	0" min.
"B" Vent Surfaces	1" min.
Ceiling to Opening	42" min.
Floor	0" min.
Perpendicular Wall	See Figure 6

**⚠ CAUTION: Do not block required air spaces with insulation or any other material. Do not obstruct effective opening of appliance with any type of facing material.**



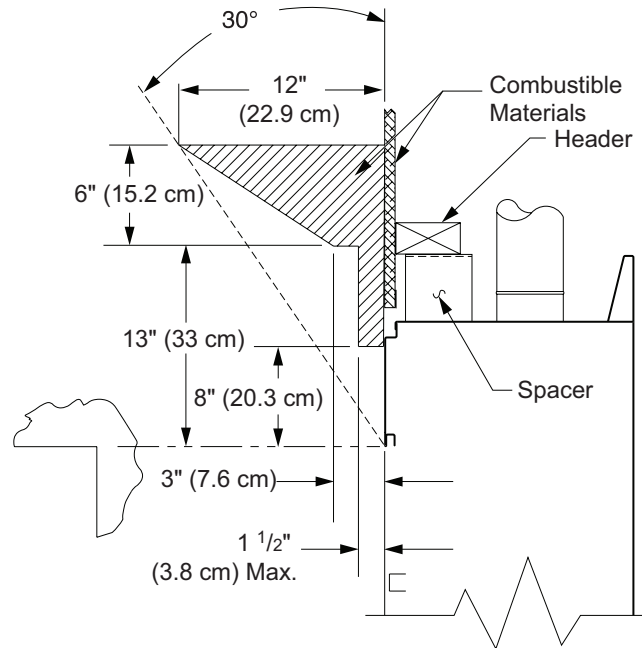
**Figure 3 - Minimum Clearances (Top View)**



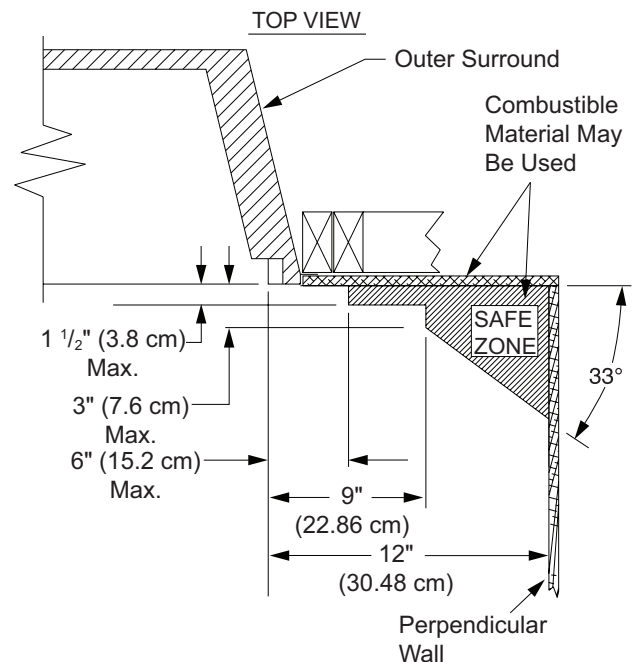
**Figure 4 - Minimum Clearances (Front View)**

### MANTEL CLEARANCES AND WALL DETAILS

A combustible mantle shelf may be installed a maximum 12" (22.9 cm) from the wall. Figures 5 and 6 show the minimum allowable distances from various combustible mantle components in relation to the fireplace opening.



**Figure 5 - Mantel Clearances - Side View (Cross Section)**



**Figure 6 - Side Clearances - Top View (Cross Section)**

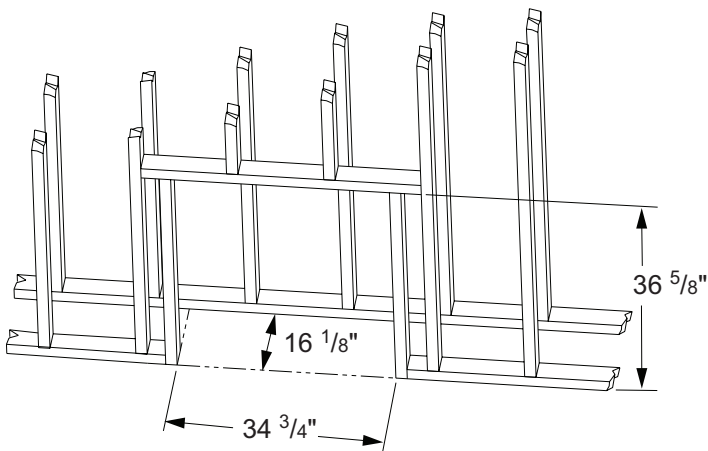
## PRE-INSTALLATION PREPARATION *Continued*

### FRAMING

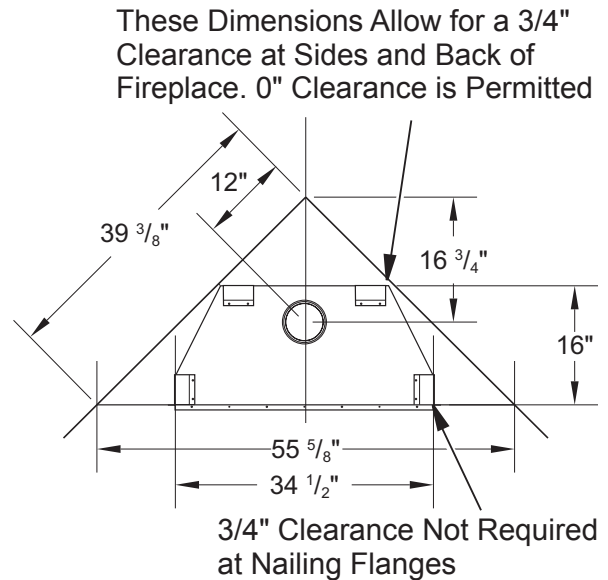
1. Frame appliance enclosure as illustrated in Figures 7 and 8.  
**Note:** If a wall covering is used to line the enclosure, then all measurements must be from the surface of the covering.
2. Place the appliance into the framing and secure it.  
**Note:** If appliance is to be raised above floor level, a platform must be built to support the appliance.
3. Install the supply line to the appliance using a 1/2" NPT black iron gas line terminating 2 5/16" above the bottom of the appliance. The gas line may be installed from either side or from the rear of the appliance (see Figure 15, page 13).
4. Feed flexible gas line through one of three gas line conduit sleeves and repack insulation to cover any openings. Prepare the incoming gas line with Teflon tape or pipe joint compound and hookup incoming gas line to flexible gas line.

**Note:** If 1/2" NPT black iron pipe does not mate with fitting at the end of flexible gas line, remove fitting and replace with a 37 degree flare 3/4"-12, 1/2" NPT (female) fitting.

**⚠ WARNING:** When finishing appliance, do not overlap combustible material onto the black front face. Brick, tile, or other noncombustible materials may be applied to the face provided that any gap is between the material used and the face is caulked with a noncombustible caulking.



**Figure 7 - Rough Opening for Installing in Wall**



**Figure 8 - Corner Installation Guidelines**



---

## REQUIREMENTS FOR THE COMMONWEALTH OF MASSACHUSETTS

For all side wall horizontally vented gas fueled equipment installed in every dwelling, building or structure used in whole or in part for residential purposes, including those owned or operated by the Commonwealth and where the side wall exhaust vent termination is less than seven (7) feet above finished grade in the area of the venting, including but not limited to decks and porches, the following requirements shall be satisfied:

### INSTALLATION OF CARBON MONOXIDE DETECTORS

At the time of installation of the side wall horizontal vented gas fueled equipment, the installing plumber or gas fitter shall observe that a hard wired carbon monoxide detector with an alarm and battery backup is installed on the floor level where the gas equipment is to be installed. In addition, the installing plumber or gas fitter shall observe that a battery operated or hard wired carbon monoxide detector with an alarm is installed on each additional level of the dwelling, building or structure served by the side wall horizontal vented gas fueled equipment. It shall be the responsibility of the property owner to secure the services of qualified licensed professionals for the installation of hard wired carbon monoxide detectors.

In the event that the side wall horizontally vented gas fueled equipment is installed in a crawl space or an attic, the hard wired carbon monoxide detector with alarm and battery back-up may be installed on the next adjacent floor level.

In the event that the requirements of this subdivision can not be met at the time of completion of installation, the owner shall have a period of thirty (30) days to comply with the above requirements; provided, however, that during said thirty (30) day period, a battery operated carbon monoxide detector with an alarm shall be installed.

### Approved Carbon Monoxide Detectors

Each carbon monoxide detector as required in accordance with the above provisions shall comply with NFPA 720 and be ANSI/UL 2034 listed and IAS certified.

### SIGNAGE

A metal or plastic identification plate shall be permanently mounted to the exterior of the building at a minimum height of eight (8) feet above grade directly in line with the exhaust vent terminal for the horizontally vented gas fueled heating appliance or equipment. The sign shall read, in print size no less than 1/2" in size, "GAS VENT DIRECTLY BELOW. KEEP CLEAR OF ALL OBSTRUCTIONS".

### INSPECTION

The state or local gas inspector of the side wall horizontally vented gas fueled equipment shall not approve the installation unless, upon inspection, the inspector observes carbon monoxide detectors and signage installed in accordance with the provisions of 248 CMR 5.08(2)(a) 1 through 4.

EXEMPTIONS: The following equipment is exempt from 248 CMR 5.08(2)(a) 1 through 4:

- The equipment listed in Chapter 10 entitled "Equipment Not Required To Be Vented" in the most current edition of NFPA 54 as adopted by the Board; and
- Product Approved side wall horizontally vented gas fueled equipment installed in a room or structure separate from the dwelling, building or structure used in whole or in part for residential purposes.

### MANUFACTURER REQUIREMENTS

#### Gas Equipment Venting System Provided

When the manufacturer of Product Approved side wall horizontally vented gas equipment provides a venting system design or venting system components with the equipment, the instructions provided by the manufacturer for installation of the equipment and the venting system shall include:

- Detailed instructions for the installation of the venting system design or the venting system components; and
- A complete parts list for the venting system design or venting system.

#### Gas Equipment Venting System Not Provided

When the manufacturer of a Product Approved side wall horizontally vented gas fueled equipment does not provide the parts for venting the flue gases, but identifies "special venting systems", the following requirements shall be satisfied by the manufacturer:

- The referenced "special venting system" instructions shall be included with the appliance or equipment installation instructions; and
- The "special venting systems" shall be Product Approved by the Board, and the instructions for that system shall include a parts list and detailed installation instructions.

A copy of all installation instructions for all Product Approved side wall horizontally vented gas fueled equipment, all venting instructions, all parts lists for venting instructions, and/or all venting design instructions shall remain with the appliance or equipment at the completion of the installation.

## VENTING INSTALLATION

A B-type venting system must be connected to the appliance for venting to the outside of the building.

IHP defines installation standards of this product. Third party products must be installed to their specific standards.

Standing codes requirements concerning B-type vent installations may vary within your state, province or local codes jurisdiction. Therefore, it is recommended that you check with your local building codes for specific requirements or in absence of local codes, follow Section 7.0 of the current National Fuel Gas Code NFPA No. 54/ANSI Z223.1.

This gas appliance must be vented to the outdoors only and may not be terminated into an attic space or into a chimney flue servicing a solid fuel burning appliance.

This appliance may be vented through a manufactured chimney system or a masonry chimney using a B-vent adapter or a chimney liner system if all are listed, inspected and approved by local codes and/or building authorities.

The examples shown in Figure 9, are typical of most B-vent installations and code practices.

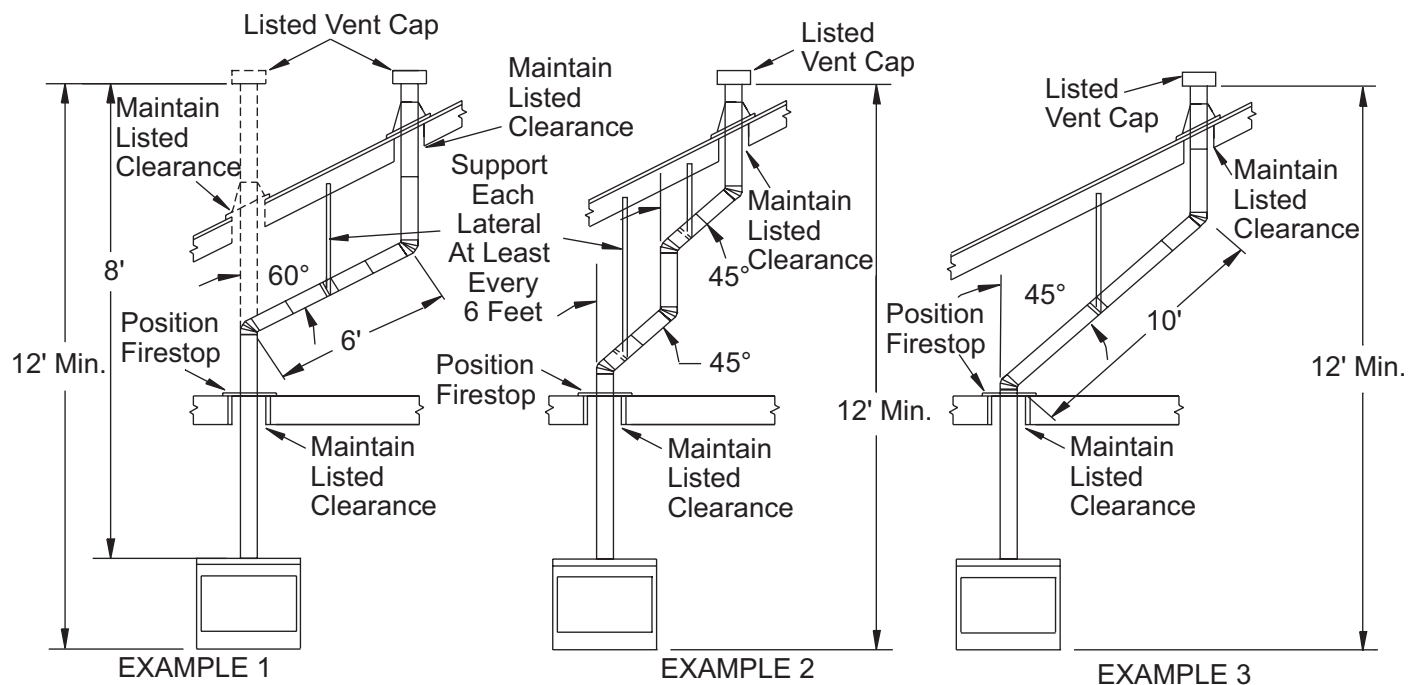
Example 1 shows the minimum allowable system height and lateral offset for a 60° or greater inclination. Code specifies that offsets at 60° or greater are considered horizontal and must follow the 75% rule for lateral to total vertical system height. Codes also allows only one offset in the total system when at 60° or greater. The total vertical height in this example represents the minimum height of 8 feet and therefore the allowable lateral is 6 feet when the 75% rule applies. If the lateral length must exceed 75% then the system must be sized in accordance with the Category I venting tables.

Example 2 shows a multiple offset each at 45° of inclination. Multiple offsets are permitted if they do not exceed 45° of inclination. The total lengths of the two offsets are not required to meet the 75% allowable rule.

Example 3 shows a single offset at 45° of inclination and therefore the lateral length at 10 feet of offset does not have to meet the 75% rule. In each case the offsets must be supported and firestops must be positioned wherever the vent must pass through a subfloor, ceiling joist or an attic overhang. The vent pipe must terminate vertically into a listed type vent cap and extend a sufficient height through an approved roof flashing, roof jack or a roof thimble. At all points the listed clearances must be maintained.

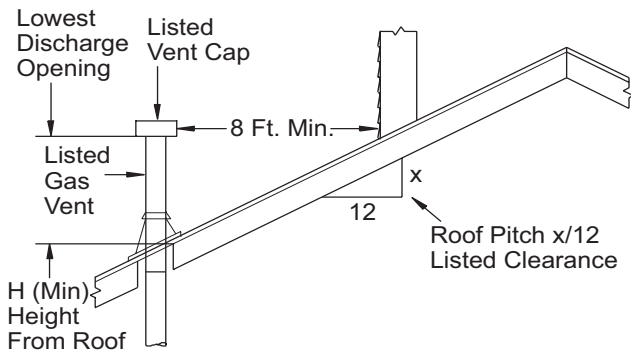
Vent terminations must be located in accordance with height and proximity rules of NFPA No. 54. These rules apply to vents at 12" diameter or less and require a minimum height in accordance with the roof pitch and a minimum of 8 feet distance from a vertical wall or obstruction (see Figure 10, page 11).

If venting horizontally through a side wall becomes necessary, a listed thimble (38FST recommended) approved for use with B-type vent must be used. Check with your local codes before venting through a side wall.



**Figure 9 - Typical B-Vent Configuration**

## VENTING INSTALLATION *Continued*



Roof Pitch	H (Min.) Ft.	m
Flat to 6/12	1.0	0.30
6/12 to 7/12	1.25	0.38
Over 7/12 to 8/12	1.5	0.46
Over 8/12 to 9/12	2.0	0.61
Over 9/12 to 10/12	2.5	0.76
Over 10/12 to 11/12	3.25	0.99
Over 11/12 to 12/12	4.0	1.22
Over 12/12 to 14/12	5.0	1.52
Over 14/12 to 16/12	6.0	1.83
Over 16/12 to 18/12	7.0	2.13
Over 18/12 to 20/12	7.5	2.27
Over 20/12 to 21/12	8.0	2.44

**Figure 10 - B-Vent Terminations**

some codes areas allow the use of existing B-type vent systems if the system is at or above the recommended diameter of the flue. The flue connection must be made using listed B-type connectors and the existing system must be code inspected for damage and proper installation.

It is not recommended that this appliance be common vented with an existing gas burning appliance. However, if it becomes necessary to common vent this appliance, the venting system must be sized and configured in accordance with the common venting guides Appendix G of the current National Fuel Gas Code NFPA No. 54/ANSI Z223.1. Note: Before connecting this appliance to an existing vent system or a common venting system consult with your local architect, planner, or building official.

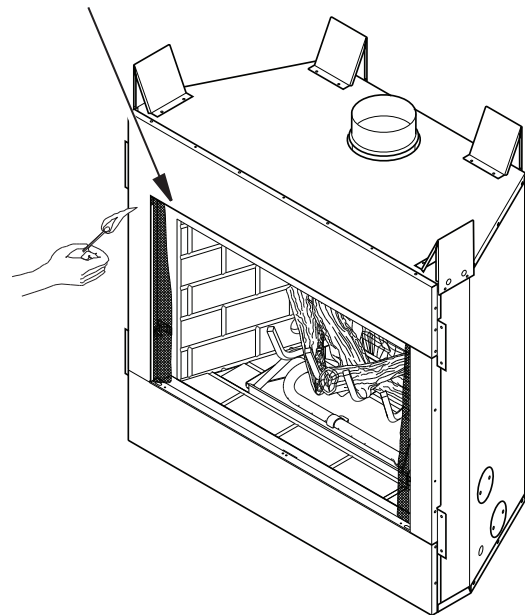
**⚠ WARNING:** This appliance must be properly connected to a system and must not be connected to a chimney flue servicing a separate solid fuel burning appliance.

### CHECKING FOR PROPER VENTING

After completing and checking the electrical, gas and vent connections, follow the lighting instructions and allow the main burner to run for approximately 5 minutes. Hold a lit match or cigarette near top edge of fireplace opening and play it along entire length of the opening (see Figure 11). Proper venting should tend to draw flame or smoke into appliance. Improper venting or escaping of spillage of burned gas, is indicated when match flickers or goes out. Smoke from a cigarette will also tend to disperse away from the appliance. If appliance is found to be improperly venting, shut it off and notify your installer or a qualified service agency to inspect venting system.

**NOTICE:** This appliance is equipped with a vent safety shutoff switch which will shut down appliance in case of a venting problem. Do not bypass vent safety switch. If appliance should shut down, contact a qualified installer, service agency, or your gas supplier to have vent inspected before operating.

Check area along entire top edge of fireplace opening. Smoke or flame should be drawn into appliance opening.



**Figure 11 - Checking for Spillage**

## FIREPLACE INSTALLATION

### WALL SWITCH INSTALLATION

Installation of a wall switch allows you to activate gas control valve without normal household electricity since the valve operates on millivolt current supplied by heat generated by thermopile. To install wall switch:

1. Remove front refractory access panel by lifting up and angling out firebox opening (see Figure 12).
2. Using wire and connectors provided, attach red wire to terminal marked TH/TP on control valve. Attach white wire to blade connector on open end of safety circuit wiring (see Figure 13, and [Wiring Diagram](#), page 29).

Note: If any of original wire from unit control must be replaced, use the same type or a higher rated wire (25 ft. maximum length).

**⚠ WARNING: Do not wire remote wall switch to main power supply (standard 120V household current).**

3. Locate wall switch in a convenient location.
4. After wire connections are complete, replace refractory access panel.

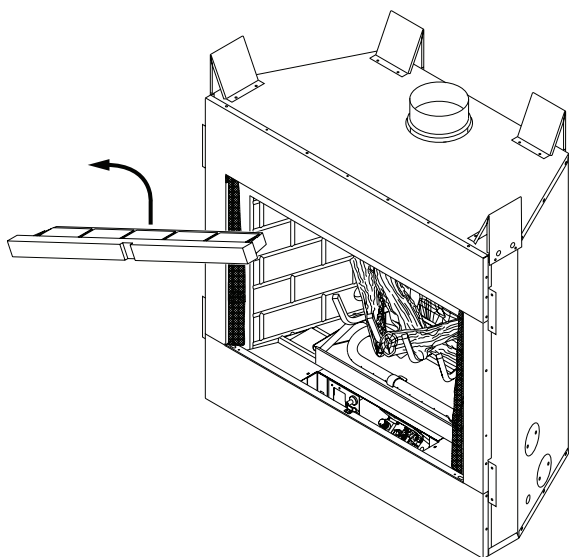
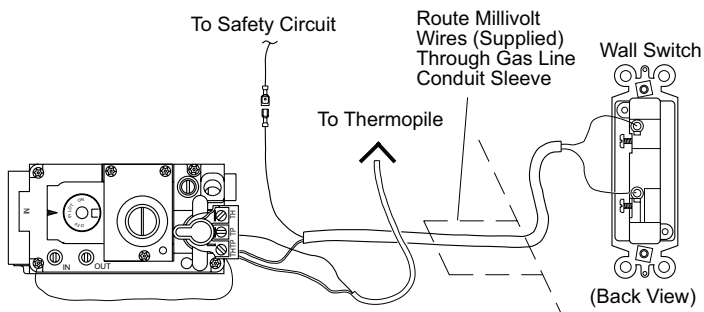


Figure 12 - Removing Front Refractory Access Panel (BRT2532TMN Model Shown)



Note: If any original wire as supplied must be replaced, use 18 AWG TYPE CL2 (UL) 105° C (25 ft. length MAX) or equivalent.

Figure 13 - Wall Switch Wiring Diagram

### OPTIONAL WIRELESS HAND-HELD REMOTE CONTROL INSTALLATION

Note: If using optional wireless hand-held remote control, the wall switch is no longer operational.

Installing Receiver

1. Remove front refractory access panel by lifting up and angling out of the firebox opening (see Figure 12) to expose controls.
2. Disconnect wall switch wires from TH/TP terminals on control valve and blade connector on safety circuit wiring (see Figure 13 and [Wiring Diagram](#) on page 29).
3. See remote instructions for further information.

### GAS LINE HOOK-UP

**⚠ WARNING: Gas line hookup should be done by your gas supplier or a qualified service person.**

**⚠ WARNING: Before you proceed, make sure your gas supply is OFF.**

The appliance and its individual shutoff valve must be disconnected from the gas supply piping system during any pressure testing of gas supply piping system at test pressures in excess of 1/2 psi (3.5 kPa). Appliance must be isolated from gas supply piping system by closing its individual manual shutoff valve during any pressure testing of gas supply piping system at test pressures equal to or less than 1/2 psi (3.5 kPa).

A manual shutoff valve has been included in the appliance's gas supply system. You may consider installing an extra gas shutoff valve outside the appliance's enclosure (check with local codes) where it can be accessed more conveniently with a key through a wall as shown in Figure 14.

In conformance with local codes, route a 1/2" NPT gas line towards appliance coming in from any of the 3 directions shown in Figure 15.

**⚠ CAUTION: Do not kink flexible gas line.**

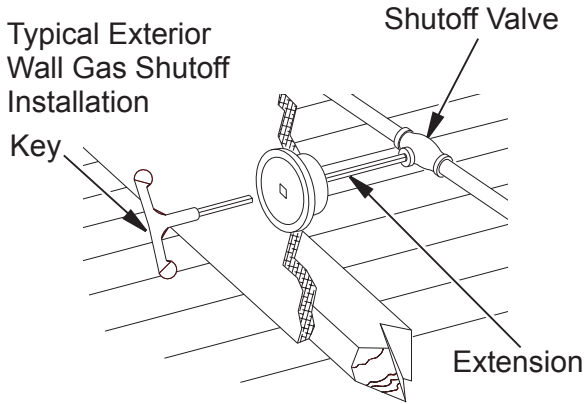
### IMPORTANT NOTICE

NFPA 54 defines minimum space requirements for the installation of this appliance.

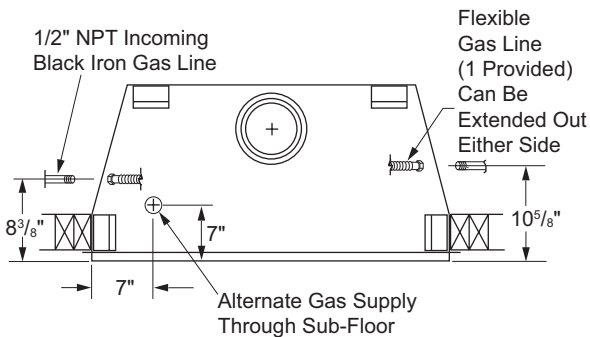
This fireplace must be installed in an unconfined space with a minimum of 50 cubic feet per 1,000 BTUs of gas output. Therefore 36" models require 2,650 cubic feet, 42" models require 3,100 cubic feet and 50" models require 3,300 cubic feet. If the space you wish to install the fireplace does not meet these requirements NFPA 54 details several actions that may be taken.

## FIREPLACE INSTALLATION *Continued*

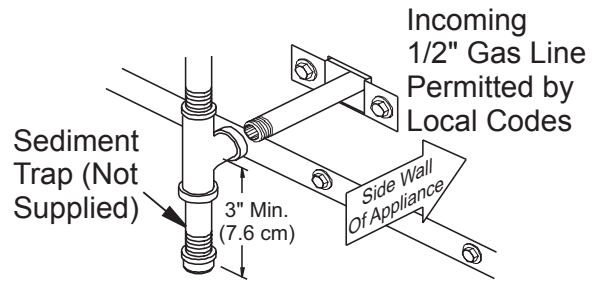
IHP recommends that a black iron gas line be routed from the gas source, through a sediment trap (shown in Figure 16), and into appliance. Once connected through appliance, a flexible gas line may be used for ease of installation to gas control valve (see Figure 17).



**Figure 14 - Manual Shutoff Valve Installation**



**Figure 15 - Routing Incoming Gas Line**



**Figure 16 - Sediment Trap**

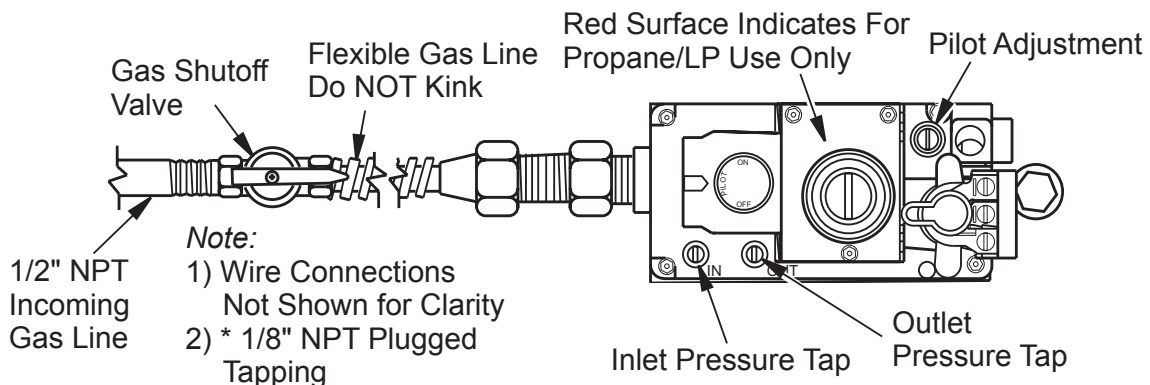
Before connecting the black iron gas line to the inside of the appliance a sediment trap must be included outside the appliance between the gas line and the gas shutoff valve. It must extend down 3" beyond the center of the pipe. Prepare incoming black iron gas line with Teflon tape or pipe joint compound (Check with local building codes).

**⚠ CAUTION:** Compounds used on threaded joints of gas piping shall be resistant to the action of Liquefied Petroleum (LP or propane), and should be applied lightly to ensure excess sealant does not enter the gas line. Sealant should not be used on a flare fitting

**⚠ WARNING:** All gas piping and connections must be tested for leaks after the installation is completed. After ensuring that the gas valve is on, apply a non-corrosive leak detection solution to all connections and joints. If bubbles appear, leaks can be detected and corrected.

**Do not use an open flame for leak testing and do not operate any appliance if a leak is detected.**

Complete your gas installation by connecting incoming gas line with flexible gas line. Secure tightly with wrench but **DO NOT OVERTIGHTEN.**



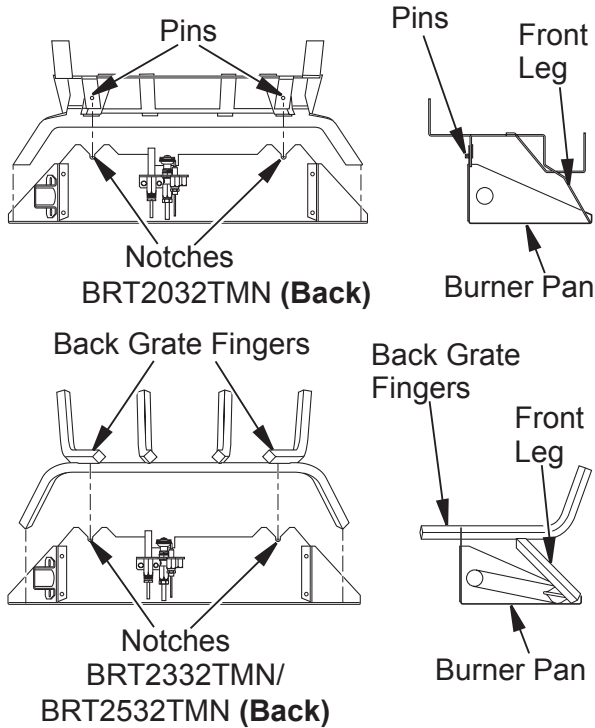
**Figure 17 - Connecting Flexible Gas Line to Millivolt Valve**



## FIREPLACE INSTALLATION *Continued*

### GRATE PLACEMENT

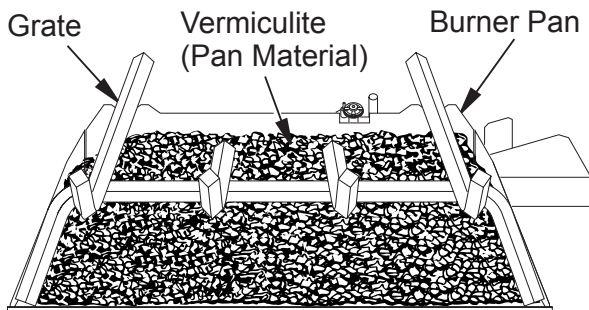
The grate must be placed in the burner pan so that the back grate fingers (BRT2332TMN/BRT2532TMN) or pins (BRT2032TMN) fit into the notches on back of burner pan and front legs fit inside burner pan as shown in Figure 18.



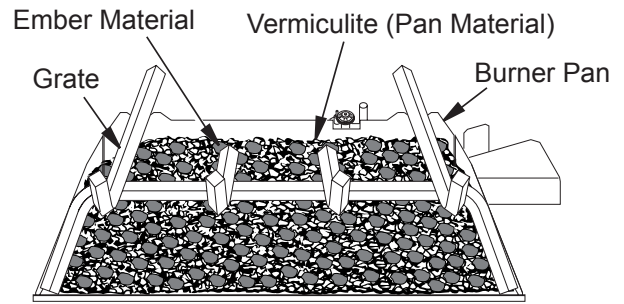
**Figure 18 - Placing Grate into Burner Pan**

### EMBER AND PAN MATERIAL PLACEMENT

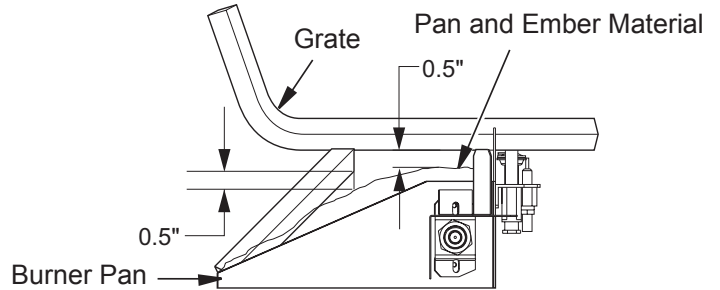
1. Open the bag(s) of vermiculite and fill the entire burner pan until the burner tube is completely covered (see Figure 19).
2. Smooth the pan material just even with edges of the burner pan.
3. Remove the ember material from the bag and flatten small amounts into quarter size pieces and lay on top of the surface of the pan material (see Figure 20).
4. Place just enough to cover the entire surface and leave about a 1/2" gap under the lower grate members to allow air to flow (see Figure 21).



**Figure 19 - Fill Entire Burner Pan with Vermiculite (BRT2332TMN/BRT2532TMN Models Shown)**



**Figure 20 - Ember Material on Surface of Pan Material (Vermiculite) (BRT2332TMN/BRT2532TMN Models Shown)**

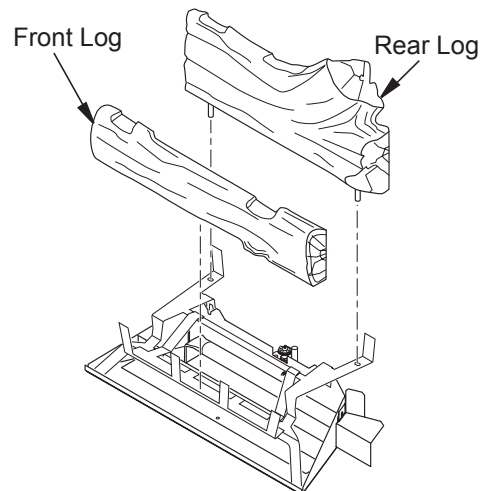


**Figure 21 - Pan and Ember Material Clearances (BRT2332TMN/BRT2532TMN Models Shown)**

### LOG PLACEMENT FOR BRT2032TMN MODEL

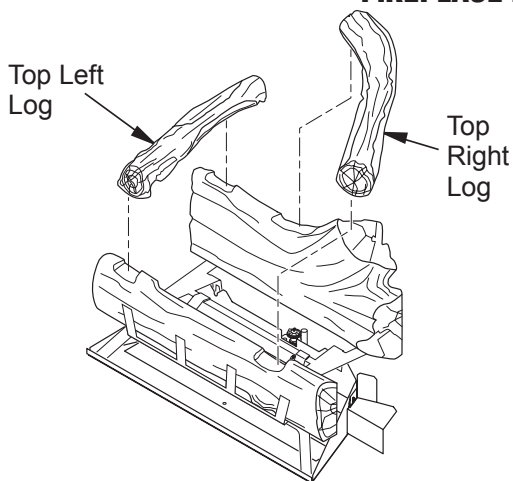
1. Place front log onto front of grate sliding log all the way forward against grate fingers (see Figure 22).
2. Insert pegs on bottom of rear log into holes in rear of grate (see Figure 22).
3. Place top right log into notches on left side of front and rear (see Figure 23, page 15).
4. Place top left log into notches on right side of front and rear (see Figure 23, page 15).

**NOTICE: Do not put lava rock inside the burner pan or around the air mixer fitting. Placing lava rock inside the burner pan or blocking the openings of the propane/LP air-mixer could cause performance problems.**

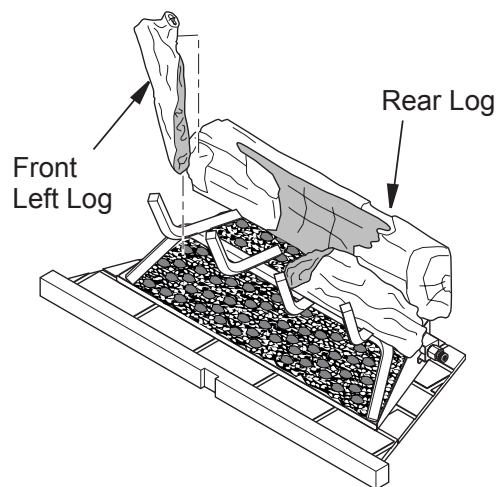


**Figure 22 - Installing Front and Rear Logs**

## FIREPLACE INSTALLATION *Continued*



**Figure 23 - Installing Top Left and Right Logs**



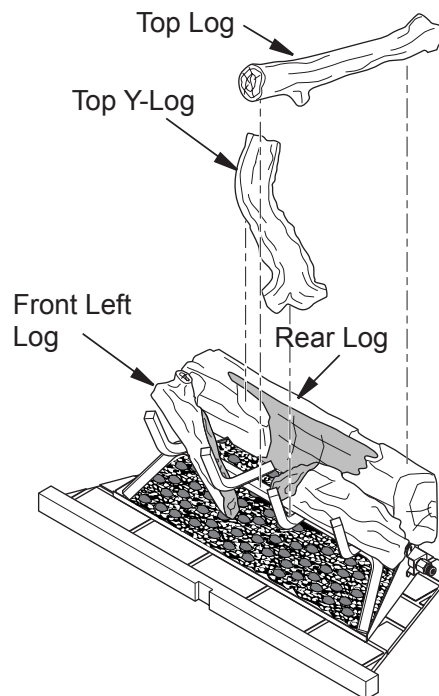
**Figure 25 - Installing Log 3**

### LOG PLACEMENT FOR BRT2332TMN AND BRT2532TMN MODELS

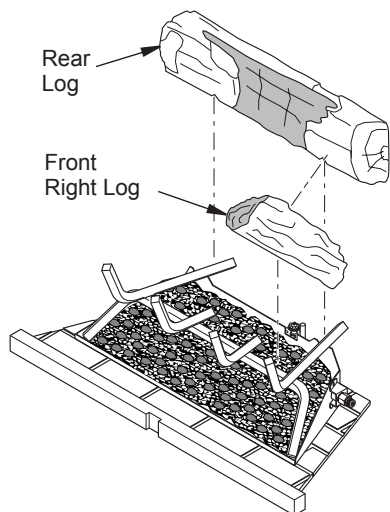
1. Place rear log onto grate making sure notches rest over grate (see Figure 24).
2. Place front right log onto front right side of grate with back of log fitting into notch on right front of rear log (see Figure 24).
3. Rest front of front left log between first two grate fingers on left of grate assembly and rear into notch on left front of rear log (see Figure 25).
4. Place top of log 4 into notch on log 1. Rest log 4 on the center of grate as shown in Figure 26.
5. Place top of log 5 into notch on top right of log 1 (see Figure 26). Rest log 5 between two middle grate fingers as shown in Figure 27.

To enhance the look of the hearth you may optionally place the lava rock provided around the front and sides of the burner.

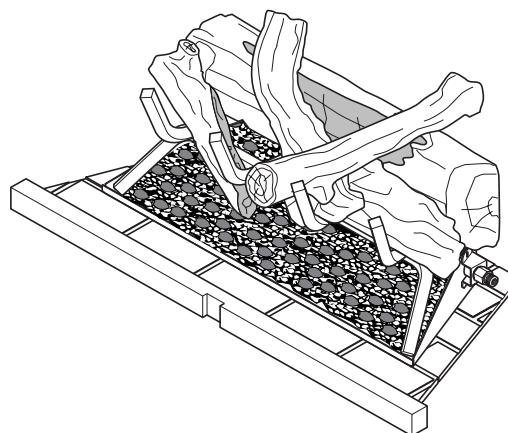
**NOTICE: Do not put lava rock inside the burner pan or around the air mixer fitting. Placing lava rock inside the burner pan or blocking the openings of the propane/LP air-mixer could cause performance problems.**



**Figure 26 - Installing Logs 4 and 5**



**Figure 24 - Installing Logs 1 and 2**



**Figure 27 - Logs Installed**

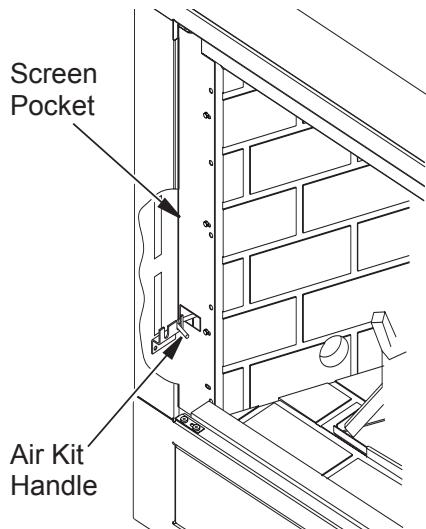


## FIREPLACE INSTALLATION *Continued*

### COMBUSTION AIR KIT MODEL AK4 (OPTIONAL)

The outside air kit may be installed on the left side of the fireplace only. The vent can be installed through the outside wall or a ventilated crawl space. The handle to operate the damper door for the outside air inlet will be located inside the left “screen pocket” of the firebox (see Figure 28). Pull the handle to open or push to close.

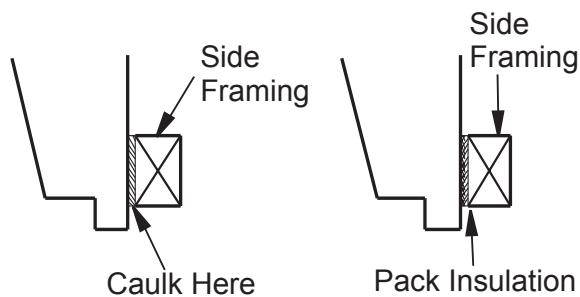
**⚠ CAUTION: Air inlet ducts are not to terminate in attic space.**



**Figure 28 - Air Kit Handle Location**

### APPLIANCE ENCLOSURE

Before finishing enclosure around appliance, inspect all joints around outer surround. Any gaps between nailing flanges and framing should be sealed with noncombustible insulation or caulking (see Figure 29). If appliance is mounted on a raised platform, it must be a continuous surface and not on blocks without a solid surface. This will prevent the entry of cold air by means of conduction through the total bottom of the appliance.



**Figure 29 - Sealing Between Appliance and Framing**

### INSTALLING OPTIONAL GLASS DOOR ACCESSORY

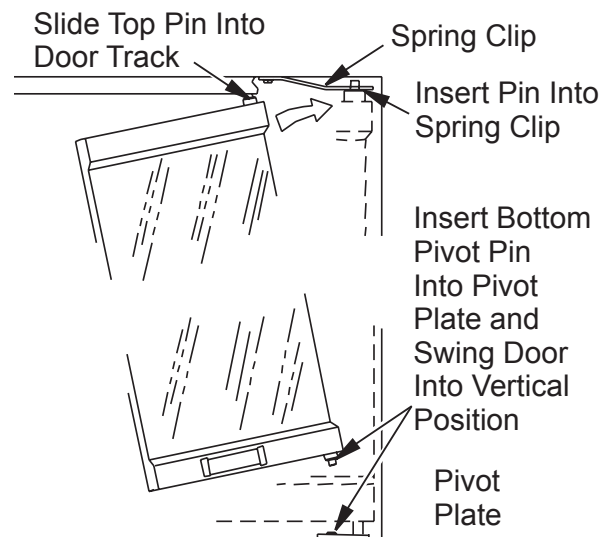
**⚠ CAUTION: Use only glass doors certified for use with this appliance.**

**Note:** Assistance with installation may be needed as glass doors are heavy.

These B-vent fireplaces are approved for use with optional bi-fold glass doors (see [Accessories](#), page 23). The glass panels may be ordered and installed anytime after the fireplace installation is complete.

Follow these steps to install left and right panels:

1. With handle at the bottom, completely fold panel on its hinges.
2. With handle facing center of firebox opening, insert lower pivot pin on glass door panel into hole in pivot plate on bottom edge of fireplace opening (see Figure 30).
3. Keeping folded door tilted, slide upper two pins into the guide track found under upper facial edge of firebox opening.
4. Tilt door assembly fully vertical until outer pivot pin snaps into mounting hole in upper spring clip (see Figure 30).
5. Once top and bottom pins are secured, unfold door into closed position.
6. Repeat process for opposite door assembly.

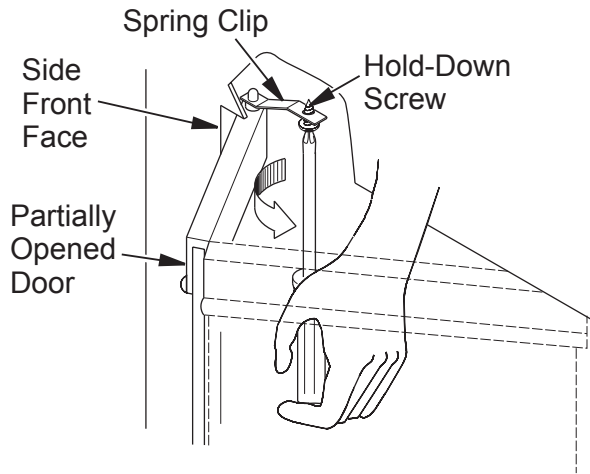


**Figure 30 - Installing Optional Glass Door**

7. To adjust doors, slide them partially open. Using a screwdriver, loosen the hold-down screws in spring clip (see Figure 31, page 17) and pivot plate.
8. Close both doors until evenly joined at the middle and note gap at outer edges of face.
9. Reopen one door at a time and retighten upper and lower hold-down screws.
10. Repeat process until both doors are evenly joined, spaced and working freely.

## FIREPLACE INSTALLATION *Continued*

**⚠ CAUTION:** Glass panels become very hot while the appliance is operating. Do not attempt to adjust or clean glass doors until appliance has fully cooled.



**Figure 31 - Adjusting Glass Doors**

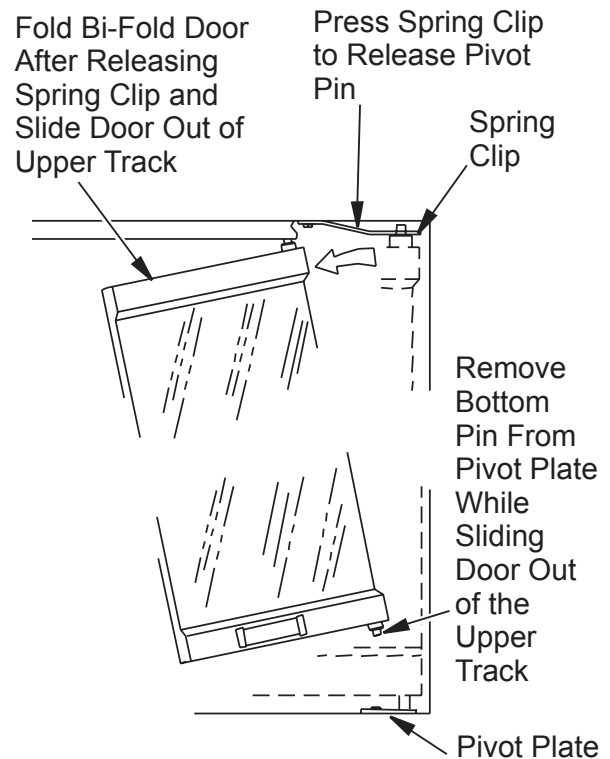
**⚠ WARNING:** Do not slam or strike doors. Damage can result in a hazardous condition.

**WARNING:** Discontinue use of the appliance immediately if doors are damaged and contact a qualified installer for repair. Only doors certified with the appliance shall be used.

Doors may be removed for replacement or cleaning as follows:

1. Partially open door and press up on the upper spring clip with a screw driver until outer top pivot pin is free of clip.
2. Fully fold frame assembly and slide upper edge toward center of firebox opening until guide pins are free of frame rail (see Figure 32).

**⚠ CAUTION:** Always operate appliance with doors either fully opened or fully closed. Operating appliance with doors partially open can result in improper venting of flue products.



**Figure 32 - Removing Glass Doors**

## OPERATION




**FOR YOUR SAFETY  
READ BEFORE LIGHTING**

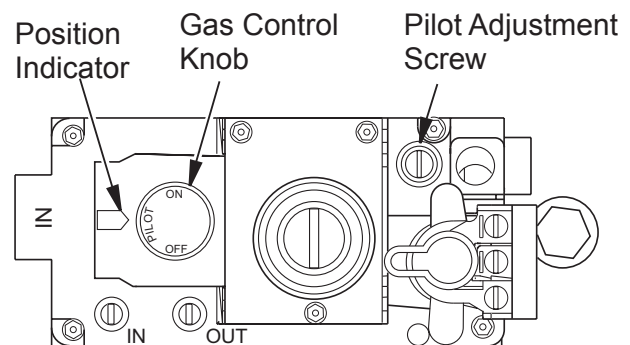
**LIGHTING  
INSTRUCTIONS**

**⚠ WARNING:** If you do not follow these instructions exactly, a fire or explosion may result causing property damage, personal injury or loss of life.

**NOTICE:** During initial operation of new fireplace, burning logs will give off a paper-burning smell. Orange flame will also be present. Open damper or window to vent smell. This will only last a few hours.

- A. This appliance has a pilot which must be lighted by hand. When lighting the pilot, follow these instructions exactly.
- B. **BEFORE LIGHTING** smell all around the appliance area for gas. Be sure to smell next to the floor because some gas is heavier than air and will settle on the floor.  
**WHAT TO DO IF YOU SMELL GAS**
  - Do not try to light any appliance.
  - Do not touch any electric switch; do not use any phone in your building.
  - Immediately call your gas supplier from a neighbor's phone. Follow the gas supplier's instructions.
  - If you cannot reach your gas supplier, call the fire department.
- C. Use only your hand to push in or turn the gas control knob. Never use tools. If the knob will not push in or turn by hand, don't try to repair it, call a qualified service technician or gas supplier. Force or attempted repair may result in a fire or explosion.
- D. Do not use this appliance if any part has been under water. Immediately call a qualified service technician to inspect the appliance and to replace any part of the control system and any gas control which has been under water.


1. STOP! Read the safety information in column 1.
2. Turn wall switch (if installed) to the OFF position.
3. Turn off all electric power to appliance.
4. Place damper in full open position.
4. Fully open glass doors if installed.
5. Remove front refractory brick access panel.
6. Turn gas control knob clockwise  to the OFF position (see Figure 33).
7. Wait five (5) minutes to clear out any gas. Then smell for gas, including near the floor. If you smell gas, STOP! Follow "B" in the safety information, column 1. If you don't smell gas, go to the next step.
8. Turn control knob counterclockwise  to the PILOT position.
9. Push knob in all the way and hold. Immediately light pilot manually. Continue to hold control knob in for about 1 minute after pilot is lit. Release knob and it will pop back up. Pilot should remain lit. If it goes out, repeat steps 5 through 9.
  - If knob does not pop up when released, stop and immediately call your service technician or gas supplier.
  - If pilot will not stay lit after several tries, turn gas control knob to OFF and call your service technician or gas supplier.
10. Turn gas control knob counterclockwise  to ON. Knob can be turned to ON only if control knob is popped out.
11. Replace front refractory brick access panel.
12. Fully close glass doors if installed.
13. Turn on all electric power to appliance.

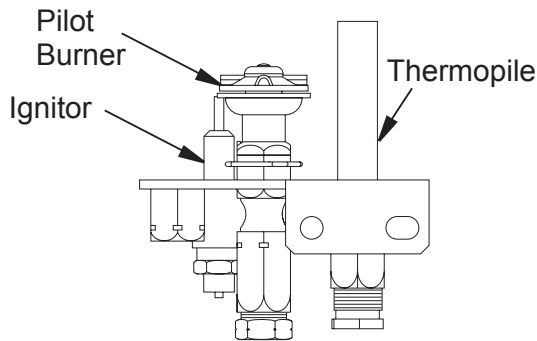


**Figure 33 - Control Knob in the PILOT Position**

## OPERATION *Continued*

### TO TURN OFF GAS TO APPLIANCE

1. Turn off wall switch (if installed).
2. Turn off all electric power to appliance if service is to be performed.
3. Fully open glass doors if installed.
4. Remove front hearth brick and control access panel.
5. Turn gas control knob clockwise  to OFF. Do not force.
6. Replace front refractory brick access panel.
7. Fully close glass doors if installed.



**Figure 34 - Pilot**

### OPTIONAL HAND-HELD REMOTE OPERATION

**Note:** Receiver and hand-held remote control kit must be purchased separately (see [Accessories](#), page 23). Follow installation instructions included with the remote control.

1. After lighting, let pilot flame burn for about one minute. Turn control knob to ON position. Slide the selector switch to the REMOTE position. Note: Burner may light if hand-held remote ON button was on when selector switch was last turned off. You can now turn burner on and off with hand-held remote control unit.

**IMPORTANT:** Do not leave selector switch in the REMOTE position when pilot is not lit. This will drain battery.


**IMPORTANT:** Be sure to press ON/OFF buttons on hand-held remote control unit for up to 3 seconds to assure proper operation.

2. Press ON/OFF button to turn the burner on and off. When turning burner off, pilot will remain lit.

**IMPORTANT:** To turn pilot off, manually turn control knob on fireplace to OFF position.

3. To leave pilot lit and shut off burners only, turn remote control / wall switch (if installed) to the OFF position.)

### TO TURN OFF GAS TO APPLIANCE

1. Press in and turn control knob clockwise  to the OFF position.
  2. Close equipment shutoff valve
- Check pilot flame pattern and burner flame patterns often.

## INSPECTING BURNERS

### PILOT ASSEMBLY

The pilot assembly is factory preset for the proper flame height. Alterations may have occurred during shipping and handling. The pilot is located on the back right hand side of the burner.

The height of thermopile must be 3/8" to 1/2" above pilot flame. Flame from pilot burner must extend beyond thermopile.

If your pilot assembly does not meet these requirements:

- Turn adjustment screw marked pilot clockwise to decrease or counterclockwise to increase flame to proper size (see Figure 33, page 18). Do not remove adjustment screw.
- see [Troubleshooting](#), page 21

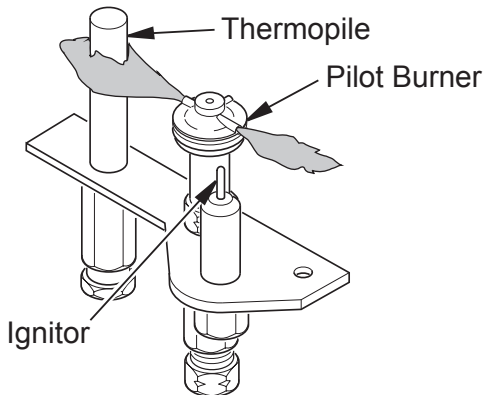


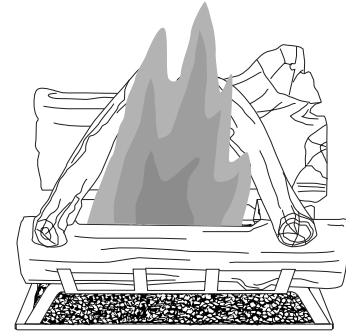
Figure 35 - Correct Pilot Flame Pattern

### BURNER FLAME PATTERN

Burner flames will be steady; not lifting or floating. Flames should go up through the middle of log set. Flames should not "spill" to the edges of the pan or sides of the log set.

Figure 36 shows a typical flame pattern. If burner flame pattern differs from that described:

- turn appliance off (see [To Turn Off Gas to Appliance](#), page 19)
- see [Troubleshooting](#), page 21



(BRT2032TMN) Model



(BRT2332TMN/BRT2532TMN) Models

Figure 36 - Typical Flame Pattern

## CLEANING AND MAINTENANCE

**⚠ WARNING:** Installation and repair should be done by a qualified service person. The appliance should be inspected before each use and at least annually by a qualified service person. More frequent cleaning may be required due to excessive lint from carpeting, bedding material, pet hair, etc. It is imperative that the control compartments, burners, and circulating air system be kept clean.

**⚠ WARNING:** Logs can be hot. Handle only when cool.

**⚠ WARNING:** Turn off gas and electrical power before servicing appliance.

### PILOT AND BURNER

- Remove logs and ember material before cleaning burner and replace when cleaning is complete.
- Burner and controls should be cleaned with compressed air to remove dust, dirt, or lint.
- Use a vacuum cleaner or small, soft bristled brush to remove excess dust, dirt, or lint.

### LOGS

- If you remove logs for cleaning, refer to log placement information on page 16 to properly replace logs.
- Use a vacuum cleaner to remove any carbon buildup on logs.
- Replace log(s) if broken. See [Replacement Parts](#), page 23.
- Replace ember material periodically as needed. See [Replacement Parts](#), page 23.

## TROUBLESHOOTING

**Note:** Before troubleshooting the system, make sure the gas shutoff valve is ON.

The two most common causes of a malfunctioning gas appliance are:

1. Loose wiring connections
2. Construction debris clogging the pilot and/or gas control valve filter

OBSERVED PROBLEM	POSSIBLE CAUSE	REMEDY
Pilot will not light	<ol style="list-style-type: none"> <li>1. No gas supply, or shutoff valve is OFF</li> <li>2. Air in gas line</li>   <li>3. Construction debris clogging pilot orifice</li> <li>4. Low gas pressure</li> <li>5. Control valve knob is not on the PILOT position</li> <li>6. Kinked pilot line</li> <li>7. Bad valve</li> </ol>	<ol style="list-style-type: none"> <li>1. Check to see if you have gas supply</li> <li>2. Hold regulator control valve in the PILOT position for 2 to 3 minutes to purge air. If you smell gas stop and wait for a few minutes before trying to light the fireplace</li> <li>3. Remove debris and dirt, inspect and clean any other possible obstructions</li> <li>4. Contact your gas supplier</li> <li>5. Refer to section on pilot lighting</li>   <li>6. Have a qualified technician replace pilot line</li> <li>7. Replace regulator valve (see <a href="#">Accessories</a>, page 23)</li> </ol>
Pilot will not stay lit	<ol style="list-style-type: none"> <li>1. Loose wiring on thermopile to regulator valve. No millivolt current is being sent back to regulator</li> <li>2. If valve knob and wall switch are in the ON position, probable defective regulator valve</li> </ol>	<ol style="list-style-type: none"> <li>1. Check wiring connections. Refer to wiring diagram shown in <a href="#">Wall Switch Installation</a>, page 12</li> <li>2. Have a qualified technician replace valve</li> </ol>
No gas to burner, although wall switch and valve are set to the ON position	<ol style="list-style-type: none"> <li>1. Wall switch wires defective or too long</li> <li>2. Thermopile not generating sufficient voltage</li> </ol>	<ol style="list-style-type: none"> <li>1. Check electrical connections</li> <li>2. See <a href="#">Pilot will not stay lit</a>, above</li> </ol>
Frequent pilot outage	<ol style="list-style-type: none"> <li>1. Pilot flame may be too low, causing safety pilot to “drop out”</li> <li>2. Improper venting or excessive blockage</li> </ol>	<ol style="list-style-type: none"> <li>1. Clean and adjust pilot flame for maximum flame impingement on thermopile</li> <li>2. Have the vent system inspected, including the termination cap. Remove any restriction or obstruction</li> </ol>
Pilot goes out when wall switch is ON	<ol style="list-style-type: none"> <li>1. Millivolt output on thermopile too high</li> </ol>	<ol style="list-style-type: none"> <li>1. Replace thermopile</li> </ol>
Spark ignitor will not light pilot after repeated triggering of red button	<ol style="list-style-type: none"> <li>1. Defective ignitor (no spark at electrode)</li>   <li>2. Defective pilot or misaligned electrode at pilot (spark at electrode)</li>   <li>3. No gas or low gas pressure</li>   <li>4. If using propane/LP gas, no propane/LP gas in tank</li> </ol>	<ol style="list-style-type: none"> <li>1. Check for spark at the electrode and pilot; if no spark and electrode wire is properly connected, replace ignitor</li> <li>2. Using a match, light pilot. If pilot lights, turn off pilot and trigger the red button again. If pilot lights, an improper gas/air mixture caused the improper lighting and a longer purge period is recommended. If pilot will not light, check gap at electrode and pilot. Gap should be 1/8" to have a strong spark. If okay, replace pilot</li> <li>3. A) Check remote shut off valves from fireplace. Valve will be near fireplace or near the main. There can be more than one valve between fireplace and main B) Low pressure can be caused by bent line, too narrow diameter of pipe, or low line pressure. Check for kinked lines. If none, consult with plumber or gas supplier</li> <li>4. Check propane/LP supply and contact local propane/LP supplier</li> </ol>
Fireplace produces a clicking/ticking noise just after burner is lit or shut off	<ol style="list-style-type: none"> <li>1. Metal expanding while heating or contracting while cooling</li> </ol>	<ol style="list-style-type: none"> <li>1. This is normal with most fireplaces. If noise is excessive, contact qualified service person</li> </ol>

## TROUBLESHOOTING *Continued*

**⚠ WARNING: If you smell gas**

- Shut off gas supply.
- Do not try to light any appliance.
- Do not touch any electrical switch; do not use any phone in your building.
- Immediately call your gas supplier from a neighbor's phone. Follow the gas supplier's instructions.
- If you cannot reach your gas supplier, call the fire department.

**IMPORTANT:** Operating fireplace where impurities in air exist may create odors. Cleaning supplies, paint, paint remover, cigarette smoke, cements and glues, new carpet or textiles, etc., create fumes. These fumes may mix with combustion air and create odors.

OBSERVED PROBLEM	POSSIBLE CAUSE	REMEDY
Fireplace produces unwanted odors	<ol style="list-style-type: none"> <li>1. Fireplace burning vapors from paint, hair spray, glues, etc. (See IMPORTANT statement above)</li> <li>2. For propane/LP gas, low fuel supply</li> <li>3. Gas leak. <b>See Warning statement at top of page</b></li> </ol>	<ol style="list-style-type: none"> <li>1. Ventilate room. Stop using odor causing products while fireplace is running</li> <li>2. Contact local propane/LP supplier</li> <li>3. Locate and correct all leaks (see <a href="#">Gas Line Hook-Up</a>, page 12)</li> </ol>
Gas odor even when control knob is in OFF position	<ol style="list-style-type: none"> <li>1. Gas leak. <b>See Warning statement at top of page</b></li> <li>2. Control valve defective</li> </ol>	<ol style="list-style-type: none"> <li>1. Locate and correct all leaks (see <a href="#">Gas Line Hook-Up</a>, page 12)</li> <li>2. Replace control valve</li> </ol>
Gas odor during combustion	<ol style="list-style-type: none"> <li>1. Foreign matter between control valve and burner</li> <li>2. Gas leak. <b>See Warning statement at top of page</b></li> </ol>	<ol style="list-style-type: none"> <li>1. Take apart gas tubing and remove foreign matter</li> <li>2. Locate and correct all leaks (see <a href="#">Gas Line Hook-Up</a>, page 12)</li> </ol>
Dark residue on logs or inside of fireplace	<ol style="list-style-type: none"> <li>1. Improper log placement</li> <li>2. Air holes at burner inlet blocked</li> <li>3. Burner flame holes blocked</li> <li>4. Improper venting or excessive blockage</li> <li>5. Excessive amounts of embers and pan material</li> </ol>	<ol style="list-style-type: none"> <li>1. Properly locate logs</li> <li>2. Clean out air holes at burner inlets. Periodically repeat as needed</li> <li>3. Remove blockage or replace burner</li> <li>4. Have the vent system inspected, including the termination cap. Remove any restrictions or obstruction</li> <li>5. Clear excess embers until a minimum gap of 1/2" remains under the grate</li> </ol>



---

## REPLACEMENT PARTS

Note: Use only original replacement parts. This will protect your warranty coverage for parts replaced under warranty.

Contact authorized dealers of this product. If they can't supply original replacement part(s), call IHP at 1-800-655-2008.

When calling, have ready:

- your name
- your address
- model and serial numbers of your fireplace
- how fireplace was malfunctioning
- purchase date

Usually, we will ask you to return the part to the factory.

## SERVICE HINTS

When Gas Pressure Is Too Low

- pilot will not stay lit
- burner will have delayed ignition
- fireplace will not produce specified heat
- propane/LP gas supply may be low if using propane/LP gas

You may feel your gas pressure is too low. If so, contact your local gas supplier.

## TECHNICAL SERVICE

You may have further questions about installation, operation, or troubleshooting. If so, contact IHP at 1-800-655-2008. When calling please have your model and serial numbers of your fireplace ready.

You can also visit our web site at

IHP.US.com.

## ACCESSORIES

Purchase these accessories from your local dealer. If they can not supply these accessories call IHP at 1-800-655-2008 for information. You can also write to the address listed on the back page of this manual.

### AIR KIT - AK4

Optional kit helps offset the negative pressure often existing in today's tightly constructed homes. Negative pressure may occur then other appliances in the home draw on air, possibly leading to poor operation, soot, or spillage.

### RECEIVER AND HAND-HELD REMOTE CONTROL KIT - MRC

For millivolt units only. Allows the fireplace to be turn on and off by using the hand-held remote control.

**GWMS2** - Wall Mount ON/OFF Switch

### 32" EXTRUDED ALUMINUM BI-FOLD GLASS DOORS

BD32 - Black Finish

BD32B - Brushed Brass Finish

BD32P - Platinum Finish

### 32" FIXED GLASS DOOR KIT

FD32 - Black Finish

FD32B - Brushed Brass Finish

FD32P - Platinum Finish

BRICK LINER - BL32

### PERIMETER TRIM

PT32 - Black

PT32B - Brushed Brass

PT32P - Platinum

### PROPANE/LP GAS CONVERSION KIT

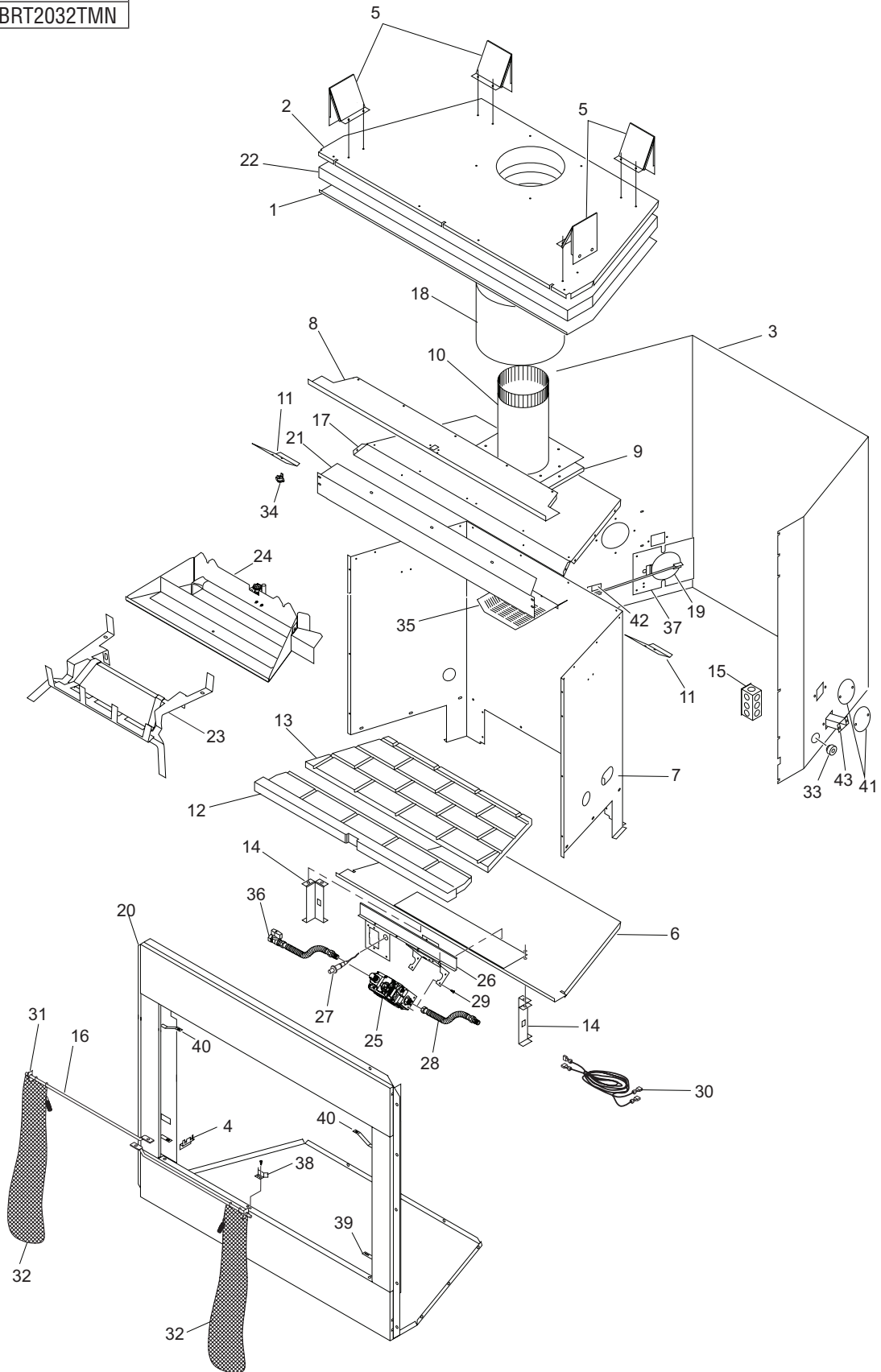
PCBM-324 - Propane/LP Gas, Millivolt Models for use with (V)P324 Series

PCBM-325 - Propane/LP Gas, Millivolt Models for use with (V)P325 Series

# PARTS

MODEL BRT2032TMN

CATALOG NO.	MODEL
F0851	BRT2032TMN



## PARTS

### MODEL BRT2032TMN

This list contains replaceable parts used in your fireplace. When ordering parts, follow the instructions listed under [Replacement Parts](#) on page 23 of this manual.

**⚠ WARNING: Contact an IHP dealer to obtain any of these parts. Never use substitute materials not approved by IHP. Use of non-approved parts can result in poor performance and safety hazards.**

CATALOG NO.	MODEL
F0851	BRT2032TMN

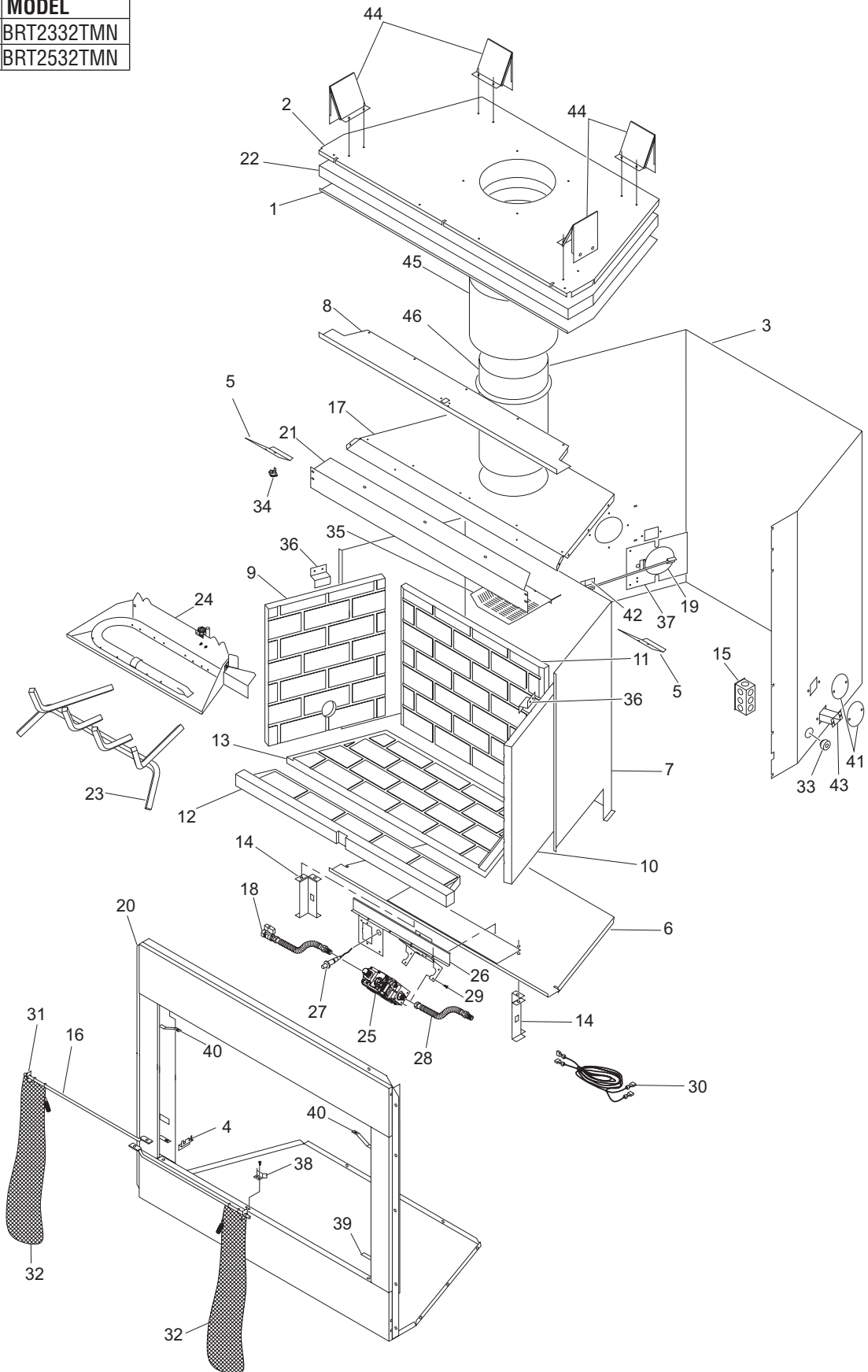
KEY NO.	PART NO.	DESCRIPTION	QTY.
1	**	Insulation Pan	1
2	108403-02	Fireplace Top Assembly	1
3	**	Fireplace Surround	1
4	108425-01	Air Rod Retainer	1
5	20280	Top Spacer	4
6	**	Firebox Bottom	1
7	108410-01	Firebox Surround	1
8	108411-01	Air Separator	1
9	106827-01	4" Gasket	1
10	108416-01	4" Collar	1
11	108769-03	Extension Deflector	1
12	108428-03	Bottom Front Refractory, Std. Brick	1
13	108426-03	Bottom Rear Refractory, Std. Brick	1
14	106683-01	Firebox Support Leg	2
15	24353	Box Assembly	1
16	108701-01	Screen Rod	2
17	**	Firebox Top Assembly	1
18	108415-01	Starter Pipe Collar	1
19	106703-02	Damper Door Assembly	1
20	**	Firebox Face	1
21	108412-01	Smoke Deflector	1
22	**	Fireplace Top Insulation	1
23	109797-01	Grate Assembly	1
24	109107-01	Burner Assembly (see page 30)	1
25	14512	Gas Control Valve (Natural Gas)	1
	14513	Gas Control Valve (Propane/LP)	1
26	107741-02	Valve Bracket	1
27	14261	Piezo Ignitor	1
28	108368-01	3/8" Flex Line	1
29	11107	Screw, #10-32 x 1/4 PPH	4
30	108005-04	Wire Harness	1
31	11418	Push-On Nut	2
32	108440-01	Screen	2
33	14123	Strain Relief	1
34	14574	Limit Switch	1
35	22912	Draft Divertor	1
36	14253	Flexible Supply Line w/ Shutoff Valve	1
37	20042	Air Kit Cover	1
38	20088	Door Stop	1
39	20089	Pivot Clip	2
40	20090	Spring Clip	2
41	21171	Gas Knockout Cover	4
42	108652-01	Gas Conduit Assembly, Left	1
43	108654-01	Gas Conduit Assembly, Right	1
<b>PARTS AVAILABLE NOT SHOWN</b>			
	901155-01	Vermiculite Bag	1
	901156-01	Pan Material	1
	901157-01	Lava Rock	1

\*\*Not a field replaceable part.

# PARTS

## BRT2332TMN AND BRT2532TMN MODELS

CATALOG NO.	MODEL
F0853	BRT2332TMN
F0855	BRT2532TMN



## PARTS

### BRT2332TMN (F0853) AND BRT2532TMN (F0855) MODELS

This list contains replaceable parts used in your fireplace. When ordering parts, follow the instructions listed under [Replacement Parts](#) on page 23 of this manual.

**⚠ WARNING: Contact an IHP dealer to obtain any of these parts. Never use substitute materials not approved by IHP. Use of non-approved parts can result in poor performance and safety hazards.**

CATALOG NO.	MODEL
F0853	BRT2332TMN
F0855	BRT2532TMN

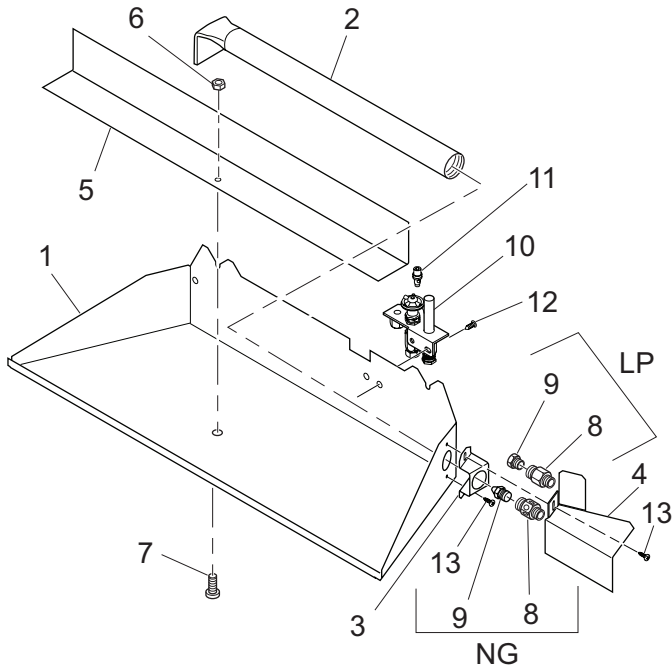
KEY NO.	PART NO.	DESCRIPTION	QTY.
1	**	Insulation Pan	1
2	108403-01	Fireplace Top Assembly	1
3	**	Fireplace Surround	1
4	108425-01	Air Rod Retainer	1
5	108769-03	Extension Deflector	2
6	108409-01	Firebox Bottom	1
7	**	Firebox Surround	1
8	108411-01	Air Separator	1
9	108434-01	Left Refractory, Std. Brick (B Models)	1
10	108432-01	Right Refractory, Std. Brick (B Models)	1
11	108430-01	Rear Refractory, Std. Brick (B Models)	1
12	108428-01	Bottom Front Refractory, Std. Brick	1
13	108426-01	Bottom Rear Refractory, Std. Brick	1
14	106683-01	Firebox Support Leg	2
15	24353	Box Assembly	1
16	108701-01	Screen Rod	2
17	**	Firebox Top Assembly	1
18	14253	Flexible Supply Line w/ Shutoff Valve	1
19	106703-02	Damper Door Assembly	1
20	**	Firebox Face	1
21	108412-01	Smoke Deflector	1
22	**	Fireplace Top Insulation	1
23	109040-01	Grate Assembly	1
24	108712-03	Burner Assembly (see page 30)	1
25	14512	Gas Control Valve (Natural Gas)	1
	14513	Gas Control Valve (Propane/LP)	1
26	107741-02	Valve Bracket	1
27	14261	Piezo Ignitor	1
28	108368-01	3/8" Flex Line	1
29	11107	Screw, #10-32 x 1/4 PPH	4
30	108005-04	Wire Harness	1
31	11418	Push-On Nut	2
32	108440-01	Screen	2
33	14123	Strain Relief	1
34	14574	Limit Switch	1
35	22912	Draft Diverter	1
36	20027	Brick Liner Retainer	2
37	20042	Air Kit Cover	1
38	20088	Door Stop	1
39	20089	Pivot Clip	2
40	20090	Spring Clip	2
41	21171	Gas Knockout Cover	4
42	108652-01	Gas Conduit Assembly, Left	1
43	108654-01	Gas Conduit Assembly, Right	1
44	20280	Top Spacer	4
45	108415-01	Starter Pipe Collar	1
46	108417-01	5" Collar	1
<b>PARTS AVAILABLE NOT SHOWN</b>			
	901155-01	Vermiculite Bag	1
	901156-01	Pan Material	1
	901157-01	Lava Rock	1

\*\*Not a field replaceable part.

## PARTS

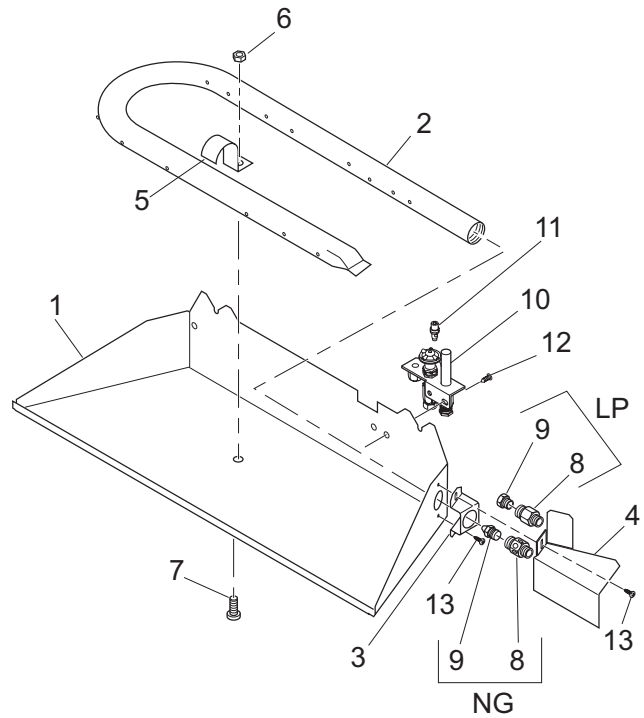
### BURNER ASSEMBLY

This list contains replaceable parts used in your fireplace. When ordering parts, follow the instructions listed under [Replacement Parts](#) on page 23 of this manual.



**BRT2032TMN (F0851) MODEL**

KEY NO.	PART NO.	DESCRIPTION	QTY.
1	107742-03	Burner Pan	1
2	109794-01	Burner Tube	1
3	107748-01	Burner Bracket	1
4	107985-01	Pilot Shield	1
5	109793-01	Divider Pan	1
6	11209	Nut, #10-24	1
7	11147	Screw, #10-24x1/2	1
8	901066-01	Brass Air Mixer (Natural Gas)	1
	901066-02	Brass Air Mixer (Propane/LP)	1
9	901064-12	Injector (NG)	1
	901065-11	Injector (LP)	1
10	108084-01	Pilot (NG)	1
11	108085-02	Pilot Orifice (LP)	1
12	11102	Screw, #8-32x3/8	2
13	11165	Screw, #10x5/8 Mod. Tr. Blk. Ox	2



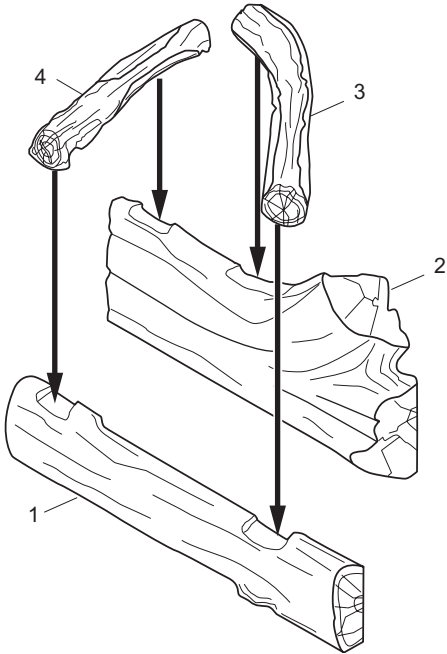
**BRT2332TMN (F0853) AND BRT2532TMN (F0855) MODELS**

KEY NO.	PART NO.	DESCRIPTION	QTY.
1	107742-03	Burner Pan	1
2	109037-01	Burner Tube	1
3	107748-01	Burner Bracket	1
4	107985-01	Pilot Shield	1
5	901681-01	Burner Clamp	1
6	11209	Nut, #10-24	1
7	11147	Screw, #10-24x1/2	1
8	901066-01	Brass Air Mixer (NG)	1
	901066-02	Brass Air Mixer (LP)	1
9	901064-11	Injector (NG)	1
	901065-09	Injector (LP)	1
10	108084-01	Pilot (NG)	1
11	108085-02	Pilot Orifice (LP)	1
12	11102	Screw, #8-32x3/8	2
13	11165	Screw, #10x5/8 Mod. Tr. Blk. Ox	2

## PARTS

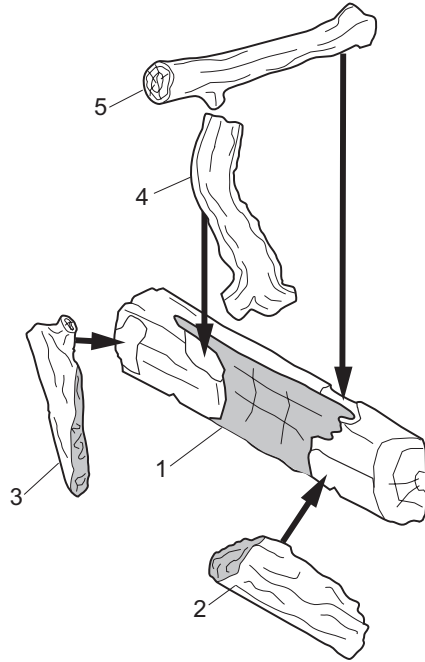
### LOG ASSEMBLY

This list contains replaceable parts used in your fireplace. When ordering parts, follow the instructions listed under [Replacement Parts](#) on page 23 of this manual.



**BRT2032TMN (F0851) MODEL**

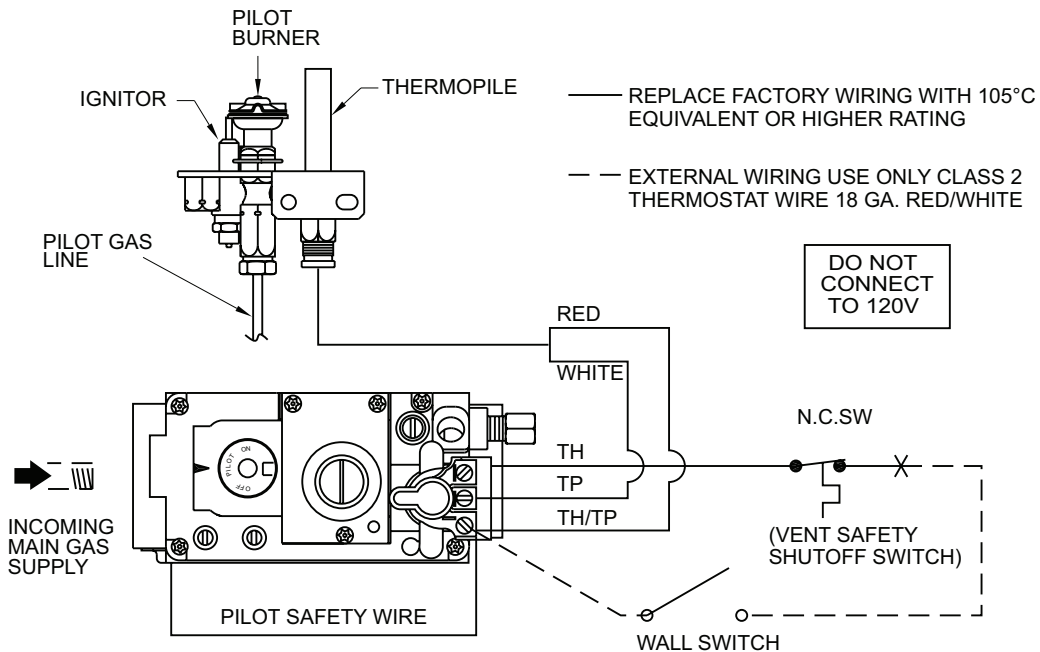
KEY NO.	PART NO.	DESCRIPTION	QTY.
	109109-01	Log Set	
1	105958-05	Front Log	1
2	105960-05	Rear Log	1
3	901100-02	Top Right Log	1
4	901102-02	Top Left Log	1



**BRT2332TMN (F0853) AND BRT2532TMN (F0855) MODELS**

KEY NO.	PART NO.	DESCRIPTION	QTY.
	109100-02	Log Set	
1	109421-01	Rear Log	1
2	109420-01	Front Right Log	1
3	108723-01	Front Left Log	1
4	108722-01	Top Y-Log	1
5	108720-01	Top Log	1

## WIRING DIAGRAM







# Innovative Hearth Products Superior™ Brand Gas Fireplaces, Stoves and Inserts 20 Year Limited Warranty

## THE WARRANTY

Innovative Hearth Products ("IHP") 20 Year Limited Warranty warrants your Superior™ Brand gas fireplace, Stove or Insert ("Product") to be free from defects in materials and workmanship at the time of manufacture. The Product body and firebox carry the 20 Year Limited Warranty. Ceramic glass carries the 20 Year Limited Warranty against thermal breakage only. After installation, if covered components manufactured by IHP are found to be defective in materials or workmanship during the 20 Year Limited Warranty period and while the Product remains at the site of the original installation, IHP will, at its option, repair or replace the covered components. If repair or replacement is not commercially practical, IHP will, at its option, refund the purchase price or wholesale price of the IHP product, whichever is applicable. IHP will also pay IHP prevailing labor rates, as determined in its sole discretion, incurred in repairing or replacing such components for up to five years. THERE ARE EXCLUSIONS AND LIMITATIONS to this 20 Year Limited Warranty as described herein.

## COVERAGE COMMENCEMENT DATE

Warranty coverage begins on the date of installation. In the case of new home construction, warranty coverage begins on the date of first occupancy of the dwelling or six months after the sale of the Product by an independent IHP dealer/distributor, whichever occurs earlier. The warranty shall commence no later than 24 months following the date of product shipment from IHP, regardless of the installation or occupancy date.

## EXCLUSIONS AND LIMITATIONS

This 20 Year Limited Warranty applies only if the Product is installed in the United States or Canada and only if operated and maintained in accordance with the printed instructions accompanying the Product and in compliance with all applicable installation and building codes and good trade practices.

This warranty is non-transferable and extends to the original owner only. The Product must be purchased through a listed supplier of IHP and proof of purchase must be provided. The Product body and firebox carry the 20 Year Limited Warranty from the date of installation. Vent components, trim components and paint are excluded from this 20 Year Limited Warranty. The following do not carry the 20 Year Limited Warranty but are warranted as follows:

- Burner** – Repair or replacement for one year from the date of installation
- Gas components** – Repair or replacement for one year from the date of installation
- Gaskets** – Repair or replacement for one year from the date of installation
- Logs** – Replacement for one year from the date of installation against thermal breakage only
- Optional blowers & remote controls** – Repair or replacement for one year from the date of installation
- Optional glass doors** – Repair or replacement for 90 days from the date of installation
- Tempered glass** - Replacement for one year from the date of installation
- Labor coverage** – Prevailing IHP labor rates apply for the warranty period of the component

**Parts not otherwise listed carry a 90 day warranty from the date of installation.**

**Whenever practicable, IHP will provide replacement parts, if available, for a period of 10 years from the last date of manufacture of the Product.**

IHP will not be responsible for: (a) damages caused by normal wear and tear, accident, riot, fire, flood or acts of God; (b) damages caused by abuse, negligence, misuse, or unauthorized alteration or repair of the Product affecting its stability or performance (The Product must be subjected to normal use. The Product is designed to burn either natural or propane gas only. Burning conventional fuels such as wood, coal or any other solid fuel will cause damage to the Product, will produce excessive temperatures and could result in a fire hazard.); (c) damages caused by failing to provide proper maintenance and service in accordance with the instructions provided with the Product; (d) damages, repairs or inefficiency resulting from faulty installation or application of the Product.

IHP is not responsible for inadequate fireplace system draft caused by air conditioning and heating systems, mechanical ventilation systems, or general construction conditions which may generate negative pressure in the room in which the appliance is installed. Additionally IHP assumes no responsibility for drafting conditions caused by venting configurations, adjoining trees or buildings, adverse wind conditions or unusual environmental factors and conditions that affect the operation of the unit.

This 20 Year Limited Warranty covers only parts and labor as provided herein. In no case shall IHP be responsible for materials, components or construction, which are not manufactured or supplied by IHP or for the labor necessary to install, repair or remove such materials, components or construction. Additional utility bills incurred due to any malfunction or defect in equipment are not covered by this warranty. All replacement or repair components will be shipped F.O.B. from the nearest stocking IHP factory.

## LIMITATION ON LIABILITY

It is expressly agreed and understood that IHP's sole obligation and the purchaser's exclusive remedy under this warranty, under any other warranty, expressed or implied, or in contract, tort or otherwise, shall be limited to replacement, repair, or refund, as specified herein.

In no event shall IHP be liable for any incidental or consequential damages caused by defects in the Product, whether such damage occurs or is discovered before or after repair or replacement, and whether such damage is caused by IHP's negligence. IHP has not made and does not make any representation or warranty of fitness for a particular use or purpose, and there is no implied condition of fitness for a particular use or purpose.

IHP makes no expressed warranties except as stated in this 20 Year Limited Warranty. The duration of any implied warranty is limited to the duration of this expressed warranty.

No one is authorized to change this 20 Year Limited Warranty or to create for IHP any other obligation or liability in connection with the Product. Some states and provinces do not allow the exclusion or limitation of incidental or consequential damages, so the above limitations or exclusions may not apply to you. The provisions of this 20 Year Limited Warranty are in addition to and not a modification of or subtraction from any statutory warranties and other rights and remedies provided by law.

## INVESTIGATION OF CLAIMS AGAINST WARRANTY

IHP reserves the right to investigate any and all claims against this 20 Year Limited Warranty and to decide, in its sole discretion, upon the method of settlement.

To receive the benefits and advantages described in this 20 Year Limited Warranty, the appliance must be installed and repaired by a licensed contractor approved by IHP.

Contact IHP at the address provided herein to obtain a listing of approved dealers/distributors. **IHP shall in no event be responsible for any warranty work done by a contractor that is not approved without first obtaining IHP's prior written consent.**

## HOW TO REGISTER A CLAIM AGAINST WARRANTY

In order for any claim under this warranty to be valid, you must contact the IHP dealer/distributor from which you purchased the product. If you cannot locate the dealer/distributor, then you must notify IHP in writing. IHP must be notified of the claimed defect in writing within 90 days of the date of failure. Notices should be directed to the IHP Warranty Department at 1508 Elm Hill Pike, Suite 108; Nashville, TN 37210 or visit our website at [WWW.SUPERIORFIREPLACES.US.COM](http://WWW.SUPERIORFIREPLACES.US.COM).

**KEEP THIS WARRANTY**

---

Model (located on product or identification tag) \_\_\_\_\_

Serial No. (located on product or identification tag) \_\_\_\_\_

Date Purchased \_\_\_\_\_

Keep receipt for warranty verification.

---

IHP reserves the right to make changes at any time, without notice, in design, materials, specifications, prices and also to discontinue colors, styles and products. Consult your local distributor for fireplace code information.



P126745-01

Printed in U.S.A. © 2013 IHP LLC  
P/N 126745-01 Rev. D 10/2014.



1508 Elm Hill Pike, Suite 108  
Nashville, TN 37210  
1-800-655-2008  
**IHP.US.com**