

CAROL ROSE

• COASTAL COLLECTION •

by Empire Comfort Systems



Linear Outdoor Fireplaces

Linear

OUTDOOR LINEAR FIREPLACES

Stainless steel construction, an integrated LED lighting system, and a 55,000 Btu burner ensure that Empire's 48-inch Outdoor Linear Fireplace will light up your patio party for any occasion.

An exciting addition to the Carol Rose Coastal Collection of outdoor fireplaces, these all-new single sided and see-through models conceal a gas burner beneath a large bed of clear-frost crushed glass. While the flames dance atop the bed of glass, the lighting system illuminates the glass from beneath. A glass deflector shield helps protect the flame from wind. (Optional taller deflectors are available for fireplaces installed in windier locations.)

A tilt-up cover conceals all controls – including pushbutton ignition and flame control knob with Hi, Medium and Low – plus intuitive buttons to control the changing pattern and color of the LED lighting. The buttons let you select from seven LED colors – Deep Blue, Royal Violet, Cardinal Red, Sea Green, Forest Green, Tranquil Blue, and White – and vary the intensity. Two “program” settings cycle through the colors automatically – either quickly or gradually.

*Carol Rose Coastal Collection
48-inch Outdoor Stainless Steel
Linear See-Through Fireplace*



Carol Rose Coastal Collection
48-inch Outdoor Stainless Steel
Linear Fireplace

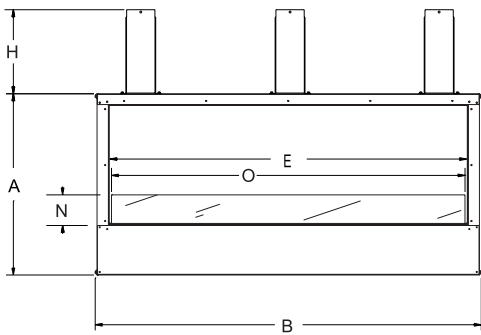


OUTDOOR LINEAR FIREPLACE SPECIFICATIONS

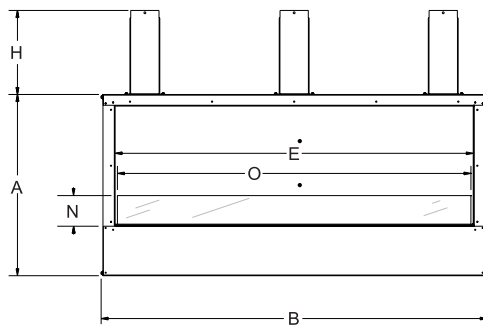
Outdoor Linear Fireplace includes two metal studs and noncombustible backer board. Additional materials may be required for installation.

Model	Framing Height	Framing Width	Framing Depth
OLL48FP	40 13/16	52	19 1/16
OLL48SP	40 13/16	52	22 5/16

Model	A	B	C	D	E	F	G	H	I	J	K	L	M	N	O	P	Q
OLL48FP	24 5/16	51 3/4	19 1/16	16 3/16	48	19	51 3/4	16 1/2	N/A	N/A	2 9/16	5 3/16	13 21/32	3 1/2	47 3/8	N/A	16 11/16
OLL48SP	24 5/16	51 3/4	22 5/16	16 3/16	48	22 9/32	51 3/4	16 1/2	N/A	N/A	2 9/16	5 3/16	N/A	3 1/2	47 3/8	N/A	16 11/16

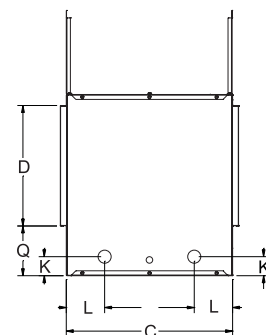


Single-Sided Fireplace



See-Through Fireplace

Empire is committed to continuous product improvement; specifications are subject to change without notice. Dimensions in this brochure are approximate; read and follow the framing dimensions in the owners manual supplied with your Empire product. Flame size, shape, and color will vary from photos. Refer to your Owner's Manual for complete installation and safety information.



Controls

FIREPLACE CONTROLS

Outdoor Linear Fireplaces feature a manual, three-position gas valve and pushbutton ignition. The burner is concealed beneath a bed of crushed glass.

Each fireplace includes a flame sensor that shuts off gas to the system if the flame is extinguished. All are available in LP and Natural Gas.

Accessories

OUTDOOR LINEAR FIREPLACE ACCESSORIES

Stainless steel Weather Doors install in seconds without tools to help protect your fireplace from the elements and provide a clean look when it's not in use. See-through fireplaces need two doors. Outdoor Fireplaces are designed to allow rainwater to drain through onto the area beneath the unit. The optional Drain Tray lets you control this water and direct it (via plastic tubing) to an appropriate location – such as a gutter or garden.

The Linear fireplace requires eight square feet of Empire's Clear Frost Decorative Crushed Glass (sold separately). The clear glass allows the LED system to shine through. Small amounts of other glass colors – in crushed, drops or droplets – may be added. See owner's manual for details. For windy locations, replace the standard Wind Deflector with the optional Taller Wind Deflector.

CAROL ROSE

These special outdoor products are named for customer service manager Carol Rose Burtz, who has been with Empire for more than 50 years. As the first time we have named a product for an employee, this represents an appropriate honor recognizing Carol's exceptional history with the company.



Warranty: All parts carry a 5-year limited warranty. Remote Controls carry a 1-year limited warranty.

Empire is committed to continuous product improvement; specifications are subject to change without notice. Dimensions in this brochure are approximate; read and follow the framing dimensions in the owners manual supplied with your Empire product. Flame size, shape, and color will vary from photos. Refer to your Owner's Manual for complete installation and safety information.

Member of the following industry associations:



This appliance is design-certified to the ANSI standard by:



SINCE 1932

Empire Comfort Systems
918 Freeburg Ave.
Belleville, IL 62220-2623

E-mail: info@empirecomfort.com
00972 10/15/14

The Empire Comfort Systems name and logos are registered U.S. trademarks.