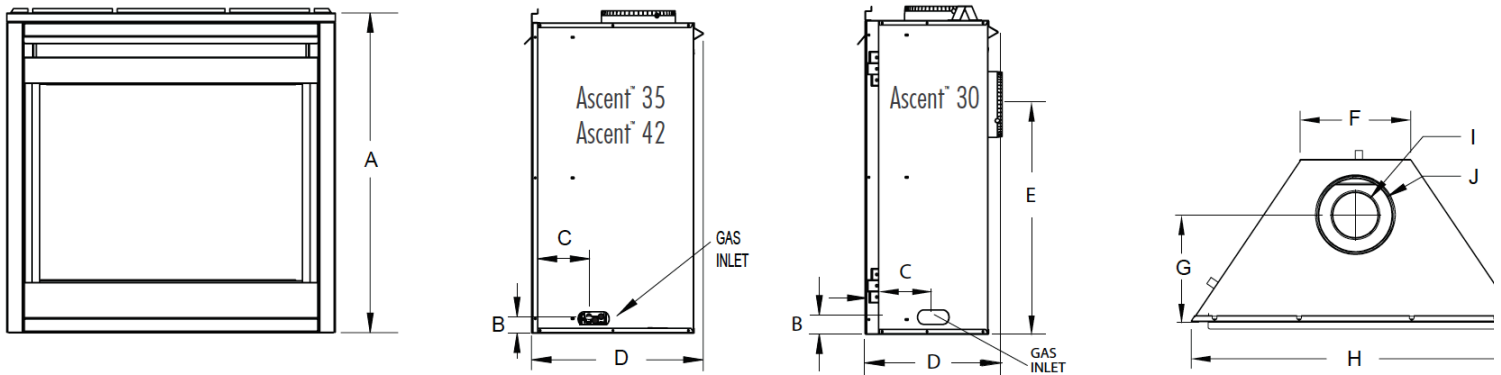


# Ascent™ 30, 35 & 42



Model	A	B	C	D	E (Rear Vent)	F	G
Ascent™ 30 - B30	34 1/16"	1 15/16"	7 3/16"	14"	24 3/16"	12 3/4"	8 5/8"
Ascent™ 35 - B35	34 1/16"	1 15/16"	7 3/16"	18 5/16"	N/A	11 13/16"	11 5/8"
Ascent™ 42 - B42	34 1/16"	1 15/16"	7 3/16"	18 5/16"	N/A	18 7/8"	11 5/8"

Model	BTU's (Input)		Venting	Glass Type	Glass Size	
	Natural Gas	Propane			Height	Width
Ascent™ 30 - B30	15,000	15,000	Top/Rear (4" x 7")	Tempered	23 11/16"	25 11/16"
Ascent™ 35 - B35	20,000	20,000	Top (5" x 8")	Tempered	23 11/16"	30 11/16"
Ascent™ 42 - B42	25,000	25,000	Top (5" x 8")	Tempered	23 11/16"	37 11/16"