

**INSTALLER: LEAVE THIS MANUAL WITH THE APPLIANCE.  
 CONSUMER: RETAIN THIS MANUAL FOR FUTURE REFERENCE.  
 NEVER LEAVE CHILDREN OR OTHER AT RISK INDIVIDUALS ALONE WITH THE APPLIANCE.**



# INSTALLATION AND OPERATING INSTRUCTIONS

CONFORMS TO AMERICAN NATIONAL STANDARDS: ANSI Z21.50, CERTIFIED TO CANADIAN CSA 2.22 FOR VENTED GAS FIREPLACES.

EN

FR  
PG  
69

CERTIFIED FOR CANADA AND UNITED STATES USING ANSI/CSA METHODS.

## SAFETY INFORMATION

### **! WARNING**

If the information in these instructions are not followed exactly, a fire or explosion may result causing property damage, personal injury or loss of life.

- Do not store or use gasoline or other flammable vapors and liquids in the vicinity of this or any other appliance.
- **WHAT TO DO IF YOU SMELL GAS:**
  - Do not try to light any appliance.
  - Do not touch any electrical switch; do not use any phone in your building.
  - Immediately call your gas supplier from a neighbour's phone. Follow the gas supplier's instructions.
  - If you cannot reach your gas supplier, call the fire department.
- Installation and service must be performed by a qualified installer, service agency or the supplier.

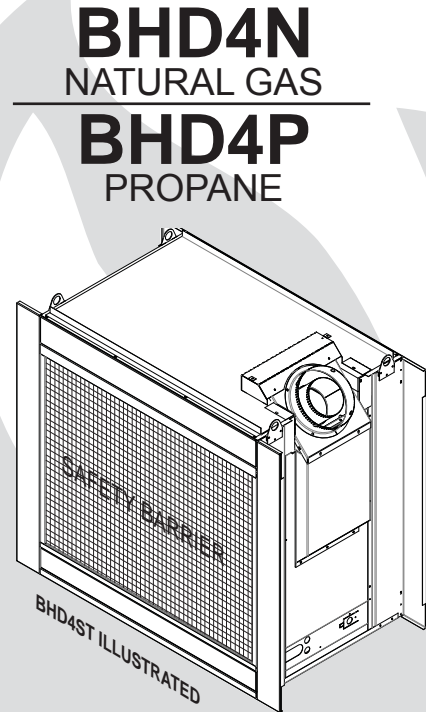
This appliance may be installed in an aftermarket, permanently located, manufactured home (USA only) or mobile home, where not prohibited by local codes.

This appliance is only for use with the type of gas indicated on the rating plate. This appliance is not convertible for use with other gases, unless a certified kit is used.

Decorative Product: Not for use as a heating appliance.



BARRIER



### **! WARNING**

**HOT GLASS WILL CAUSE BURNS.**



**DO NOT TOUCH GLASS UNTIL COOLED.**

**NEVER ALLOW CHILDREN TO TOUCH GLASS.**

**A barrier designed to reduce the risk of burns from the hot viewing glass is provided with the appliance and shall be installed.**

Wolf Steel Ltd., 24 Napoleon Rd., Barrie, ON, L4M 0G8 Canada /  
 103 Miller Drive, Crittenden, Kentucky, USA, 41030

Phone (705)721-1212 • Fax (705)722-6031 • [www.napoleonfireplaces.com](http://www.napoleonfireplaces.com) • [ask@napoleonproducts.com](mailto:ask@napoleonproducts.com)

\$10.00

1.36D

W415-1285 / A / 11.03.14

# TABLE OF CONTENTS



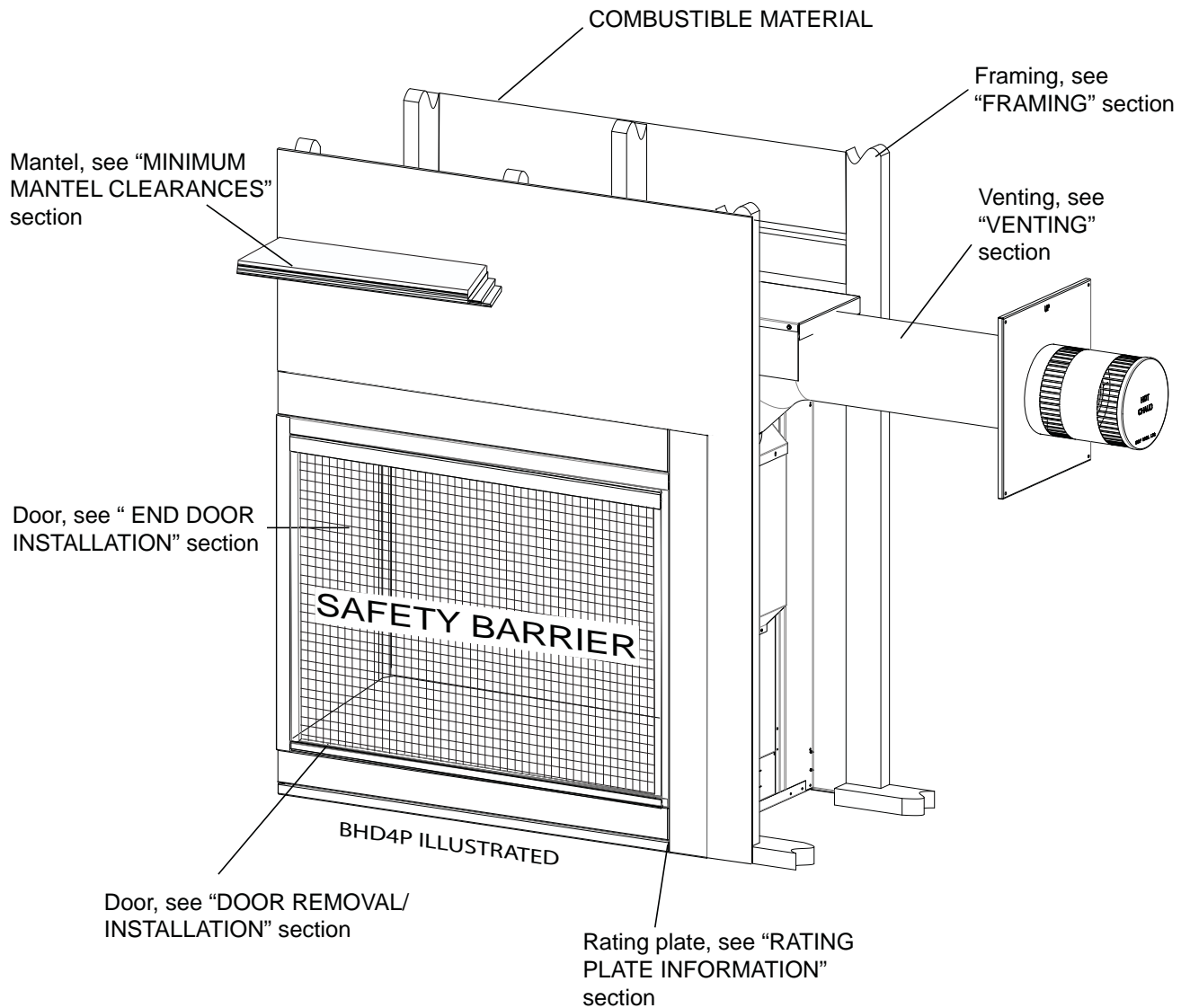
The camera icon indicates video tutorials are available as additional reference, visit <http://www.napoleonfireplaces.com/category/product-support/support-centre/>

<b>1.0</b>	<b>INSTALLATION OVERVIEW</b>	<b>3</b>
<b>2.0</b>	<b>INTRODUCTION</b>	<b>4</b>
2.1	DIMENSIONS	5
2.2	GENERAL INSTRUCTIONS	6
2.3	GENERAL INFORMATION	7
2.4	RATING PLATE / LIGHTING INSTRUCTION LOCATION	8
<b>3.0</b>	<b>VENTING</b>	<b>9</b>
3.1	VENTING LENGTHS AND COMPONENTS	10
3.2	TYPICAL VENT INSTALLATIONS	11
3.3	SPECIAL VENT INSTALLATIONS	12
3.3.1	PERISCOPE TERMINATION	12
3.4	VENT TERMINAL CLEARANCES	13
3.5	VENT APPLICATION FLOW CHART	14
3.6	DEFINITIONS	14
3.7	ELBOW VENT LENGTH VALUES	14
3.8	HORIZONTAL TERMINATION	15
3.9	VERTICAL TERMINATION	17
<b>4.0</b>	<b>INSTALLATION</b>	<b>19</b>
4.1	WALL AND CEILING PROTECTION	19
4.1.1	HORIZONTAL INSTALLATION	20
4.1.2	VERTICAL INSTALLATION	20
4.2	USING FLEXIBLE VENT COMPONENTS	21
4.2.1	HORIZONTAL AIR TERMINAL INSTALLATION	22
4.2.2	VERTICAL AIR TERMINAL INSTALLATION	23
4.2.3	APPLIANCE VENT CONNECTION	23
4.3	GAS INSTALLATION	24
4.4	MOBILE HOME INSTALLATION	24
4.5	ACCESS PANEL FOR GAS LINE CONNECTION	25
<b>5.0</b>	<b>FRAMING</b>	<b>26</b>
5.1	FRAMING	27
5.1.1	SEE-THRU FRAMING (BHD4ST)	27
5.1.2	PENINSULA FRAMING (BHD4P)	27
5.2	MINIMUM CLEARANCE TO COMBUSTIBLE ENCLOSURES	28
5.3	INSTALLING COMBUSTIBLE BOARD	29
5.3.1	FINISHING SUPPORT ADJUSTMENT	30
5.4	NON-COMBUSTIBLE FACING MATERIAL	31
5.5	ALCOVE ENCLOSURE	32
5.6	MINIMUM MANTEL CLEARANCES	33
5.7	NAILING TAB INSTALLATION	33
<b>6.0</b>	<b>FINISHING</b>	<b>34</b>
6.1	SIDE SAFETY SCREEN REMOVAL / INSTALLATION	34
6.2	END SAFETY SCREEN REMOVAL / INSTALLATION (BHD4P ONLY)	35
6.3	DOOR REMOVAL / INSTALLATION	36
6.4	CONTROL PANEL REMOVAL	37
6.5	END DOOR REMOVAL / INSTALLATION (BHD4P ONLY)	37
6.6	HEARTH PAD INSTALLATION	38
6.7	LOG PLACEMENT	39
6.8	GLASS MEDIA INSTALLATION	41
6.9	LOGO PLACEMENT	42
<b>7.0</b>	<b>ELECTRICAL CONNECTION</b>	<b>42</b>
7.1	HARD WIRING CONNECTION	42
7.2	RECEPTACLE WIRING DIAGRAM	43
7.3	BATTERY BACK-UP INSTALLATION	43
7.4	WIRING DIAGRAM	44
<b>8.0</b>	<b>OPERATING INSTRUCTIONS</b>	<b>45</b>
8.1	OPERATING INSTRUCTIONS - FOR YOUR SAFETY READ BEFORE OPERATING	45
8.2	LIGHTING INSTRUCTIONS	45
8.3	ANTI CONDENSATION SWITCH	46
<b>9.0</b>	<b>ADJUSTMENT</b>	<b>47</b>
9.1	PILOT BURNER ADJUSTMENT	47
9.2	VENTURI ADJUSTMENT	47
9.3	FLAME CHARACTERISTICS	48
<b>10.0</b>	<b>MAINTENANCE</b>	<b>49</b>
10.1	ANNUAL MAINTENANCE	50
10.2	GLASS / DOOR REPLACEMENT	51
10.3	CARE OF GLASS	51
10.4	BURNER REMOVAL	52
10.4.1	LOG BURNER REMOVAL	52
10.4.2	GLASS BURNER REMOVAL	52
10.4.3	CRADLE BURNER REMOVAL	53
10.5	VALVE TRAIN REPLACEMENT	53
10.6	RESTRICTING VERTICAL VENTS	53
<b>11.0</b>	<b>REPLACEMENTS</b>	<b>54</b>
<b>12.0</b>	<b>BHD4P OVERVIEW</b>	<b>55</b>

13.0	BHD4ST OVERVIEW	56
14.0	ACCESSORIES	57
15.0	GLASS BURNER (W100-0160)	58
16.0	LOG /CRADLE BURNER (W100-0161)	59
17.0	GLASS BURNER VALVE TRAIN ASSEMBLY	60
18.0	LOG BURNER VALVE TRAIN ASSEMBLY	61
19.0	TROUBLESHOOTING	62
20.0	WARRANTY	65
21.0	SERVICE HISTORY	66
22.0	NOTES	67

**NOTE:** Changes, other than editorial, are denoted by a vertical line in the margin.

## 1.0 INSTALLATION OVERVIEW



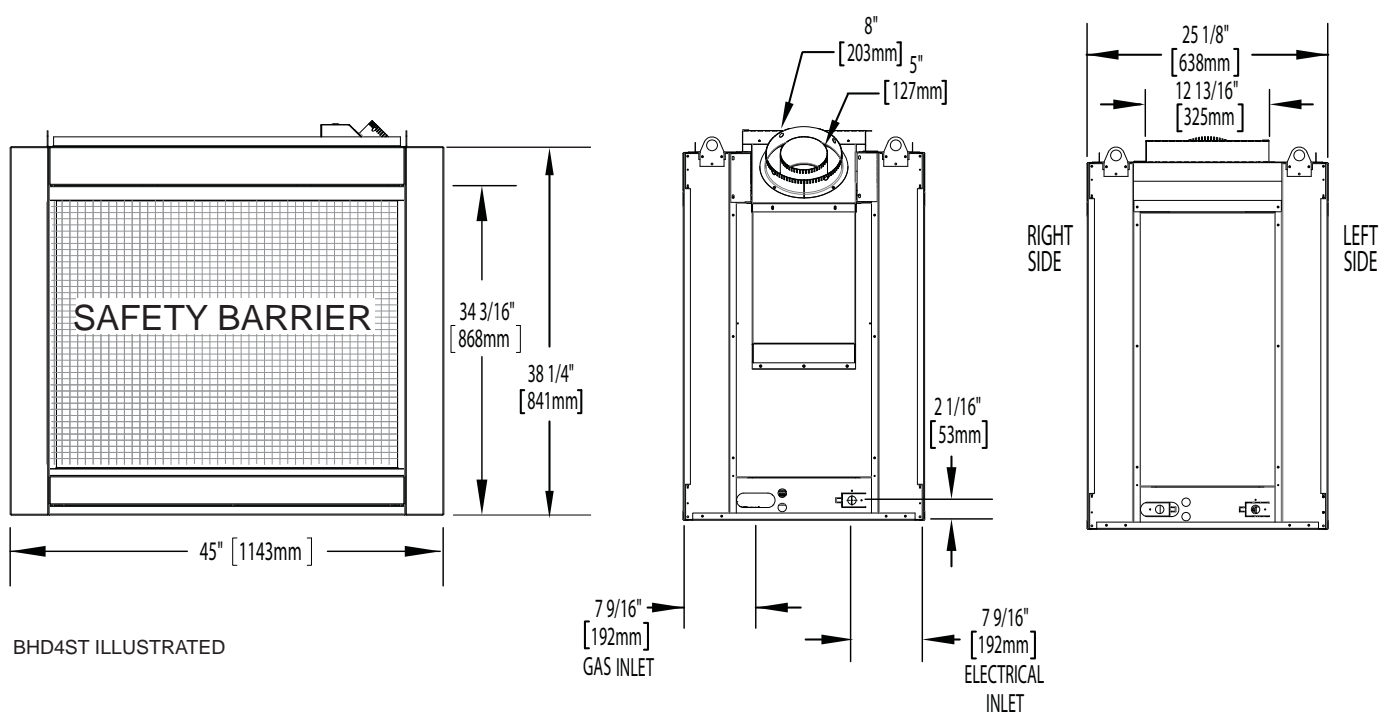
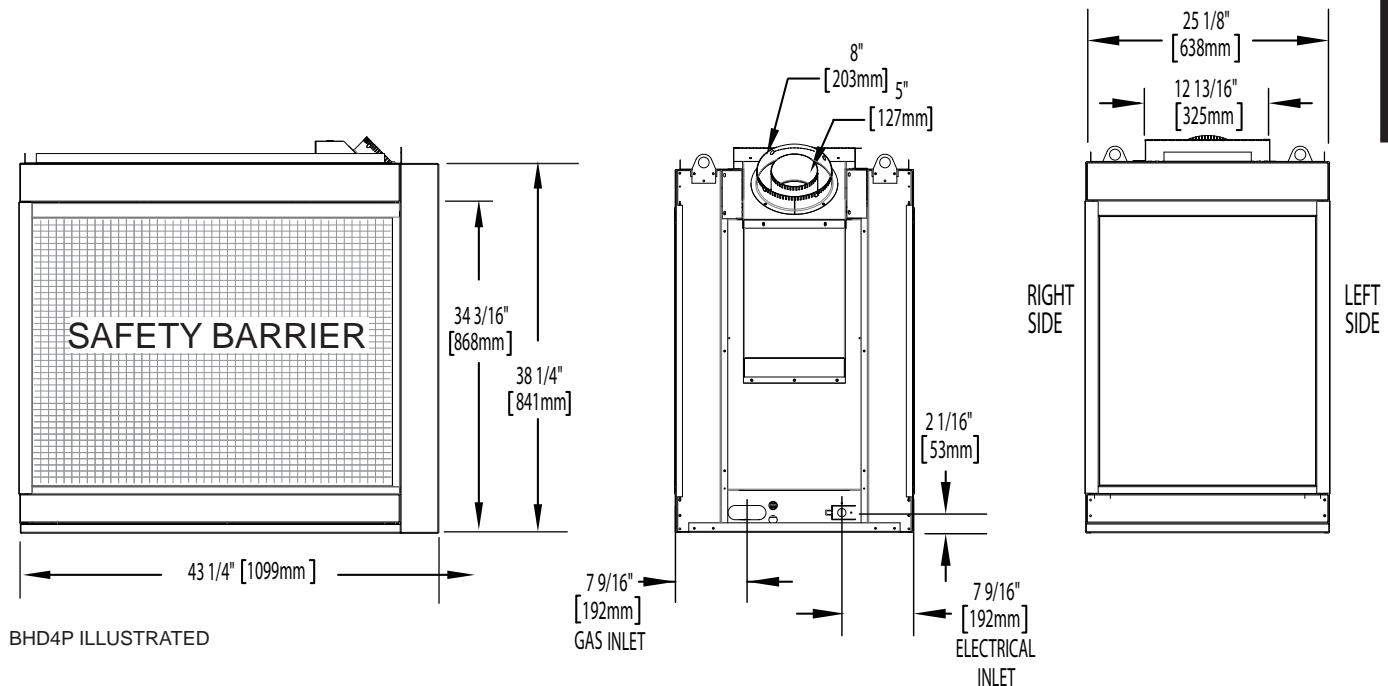
Batteries must be disposed of according to the local laws and regulations. Some batteries may be recycled, and may be accepted for disposal at your local recycling center. Check with your municipality for recycling instructions.

## ! WARNING

- **THIS APPLIANCE IS HOT WHEN OPERATED AND CAN CAUSE SEVERE BURNS IF CONTACTED.**
- **ANY CHANGES OR ALTERATIONS TO THIS APPLIANCE OR ITS CONTROLS CAN BE DANGEROUS AND IS PROHIBITED.**
- Do not operate appliance before reading and understanding operating instructions. Failure to operate appliance according to operating instructions could cause fire or injury.
- Risk of fire or asphyxiation do not operate appliance with fixed glass removed.
- Do not connect 110 volts to the control valve.
- Risk of burns. The appliance should be turned off and cooled before servicing.
- Do not install damaged, incomplete or substitute components.
- Risk of cuts and abrasions. Wear protective gloves and safety glasses during installation. Sheet metal edges may be sharp.
- Do not burn wood or other materials in this appliance.
- **Children and adults should be alerted to the hazards of high surface temperature and should stay away to avoid burns or clothing ignition.**
- **Young children should be carefully supervised when they are in the same room as the appliance. Toddlers, young children and others may be susceptible to accidental contact burns. A physical barrier is recommended if there are at risk individuals in the house. To restrict access to an appliance, install an adjustable safety gate to keep toddlers, young children and other at risk individuals out of the room and away from hot surfaces.**
- **Clothing or other flammable material should not be placed on or near the appliance.**
- **Due to high temperatures, the appliance should be located out of traffic and away from furniture and draperies.**
- Ensure you have incorporated adequate safety measure to protect infants/toddlers from touching hot surfaces.
- Even after the appliance is out, the glass and/or screen will remain hot for an extended period of time.
- Check with your local hearth specialty dealer for safety screens and hearth guards to protect children from hot surfaces. These screens and guards must be fastened to the floor.
- **Any safety screen, guard or barrier removed for servicing the appliance, must be replaced prior to operating the appliance.**
- The appliance is a vented gas-fired appliance. Do not burn wood or other materials in the appliance
- It is imperative that the control compartments, burners and circulating blower and its passageway in the appliance and venting system are kept clean. The appliance and its venting system should be inspected before use and at least annually by a qualified service person. More frequent cleaning may be required due to excessive lint from carpeting, bedding material, etc. The appliance area must be kept clear and free from combustible materials, gasoline and other flammable vapors and liquids.
- Under no circumstances should this appliance be modified.
- This appliance must not be connected to a chimney flue pipe serving a separate solid fuel burning appliance.
- Do not use this appliance if any part has been under water. Immediately call a qualified service technician to inspect the appliance and to replace any part of the control system and any gas control which has been under water.
- Do not operate the appliance with the glass door removed, cracked or broken. Replacement of the glass should be done by a licensed or qualified service person.
- Do not strike or slam shut the appliance glass door.
- When equipped with pressure relief doors, they must be kept closed while the appliance is operating to prevent exhaust fumes containing carbon monoxide, from entering into the home. Temperatures of the exhaust escaping through these openings can also cause the surrounding combustible materials to overheat and catch fire.
- **Only doors / optional fronts certified with the appliance are to be installed on the appliance.**
- Keep the packaging material out of reach of children and dispose of the material in a safe manner. As with all plastic bags, these are not toys and should be kept away from children and infants.
- As with any combustion appliance, we recommend having your appliance regularly inspected and serviced as well as having a Carbon Monoxide Detector installed in the same area to defend you and your family against Carbon Monoxide.
- Ensure clearances to combustibles are maintained when building a mantel or shelves above the appliance. Elevated temperatures on the wall or in the air above the appliance can cause melting, discoloration or damage of decorations, a T.V. or other electronic components.
- **A barrier designed to reduce the risk of burns from the hot viewing glass is provided with this appliance and shall be installed.**
- **If the barrier becomes damaged, the barrier shall be replaced with the manufacturer's barrier for this appliance.**
- **Installation and repair should be done by a qualified service person. The appliance should be inspected before use and at least annually by a professional service person. More frequent cleaning may be required due to excessive lint from carpeting, bedding material, etc. It is imperative that control compartments, burners and circulating air passageways of the appliance be kept clean.**

3.2C

2.1 DIMENSIONS



## 2.2 GENERAL INSTRUCTIONS

EN

<b>! WARNING</b>
<b>ALWAYS LIGHT THE PILOT WHETHER FOR THE FIRST TIME OR IF THE GAS SUPPLY HAS RUN OUT, WITH THE GLASS DOOR OPENED OR REMOVED.</b>
<b>PROVIDE ADEQUATE CLEARANCE FOR SERVICING AND OPERATING THE APPLIANCE.</b>
<b>PROVIDE ADEQUATE VENTILATION.</b>
<b>NEVER OBSTRUCT THE FRONT OPENING OF THE APPLIANCE.</b>
<b>OBJECTS PLACED IN FRONT OF THE APPLIANCE MUST BE KEPT A MINIMUM OF 48" (1219mm) FROM THE FRONT FACE OF THE APPLIANCE.</b>
<b>SURFACES AROUND AND ESPECIALLY ABOVE THE APPLIANCE CAN BECOME HOT. AVOID CONTACT WHEN THE APPLIANCE IS OPERATING.</b>
<b>FIRE RISK. EXPLOSION HAZARD.</b>
<b>HIGH PRESSURE WILL DAMAGE VALVE. DISCONNECT GAS SUPPLY PIPING BEFORE PRESSURE TESTING GAS LINE AT TEST PRESSURES ABOVE 1/2 PSIG. CLOSE THE MANUAL SHUT-OFF VALVE BEFORE PRESSURE TESTING GAS LINE AT TEST PRESSURES EQUAL TO OR LESS THAN 1/2 PSIG (35 mb).</b>
<b>USE ONLY WOLF STEEL APPROVED OPTIONAL ACCESSORIES AND REPLACEMENT PARTS WITH THIS APPLIANCE. USING NON-LISTED ACCESSORIES (BLOWERS, DOORS, LOUVRES, TRIMS, GAS COMPONENTS, VENTING COMPONENTS, ETC.) COULD RESULT IN A SAFETY HAZARD AND WILL VOID THE WARRANTY AND CERTIFICATION.</b>

**THIS GAS APPLIANCE SHOULD BE INSTALLED AND SERVICED BY A QUALIFIED INSTALLER** to conform with local codes. Installation practices vary from region to region and it is important to know the specifics that apply to your area, for example in Massachusetts State:

- This product must be installed by a licensed plumber or gas fitter when installed within the commonwealth of Massachusetts.
- The appliance damper must be removed or welded in the open position prior to installation of an appliance insert or gas log.
- The appliance off valve must be a "T" handle gas cock.
- The flexible connector must not be longer than 36 inches (914mm).
- A Carbon Monoxide detector is required in all rooms containing gas fired appliances.
- The appliance is not approved for installation in a bedroom or bathroom unless the unit is a direct vent sealed combustion product.

The installation must conform with local codes or, in absence of local codes, the National Gas and Propane Installation Code CSA B149.1 in Canada, or the National Fuel Gas Code, ANSI Z223.1 / NFPA 54 in the United States. Suitable for mobile home installation if installed in accordance with the current standard CAN/CSA Z240MH Series, for gas equipped mobile homes, in Canada or ANSI Z223.1 and NFPA 54 in the United States.

As long as the required clearance to combustibles is maintained, the most desirable and beneficial location for an appliance is in the center of a building, thereby allowing the most efficient use of the heat created. The location of windows, doors and the traffic flow in the room where the appliance is to be located should be considered. If possible, you should choose a location where the vent will pass through the house without cutting a floor or roof joist.

If the appliance is installed directly on carpeting, vinyl tile or other combustible material other than wood flooring, the appliance shall be installed on a metal or wood panel extending the full width and depth.

Some appliances have optional fans or blowers. If an optional fan or blower is installed, the junction box must be electrically connected and grounded in accordance with local codes, use the current CSA C22.1 Canadian Electrical Code in Canada or the ANSI/NFPA 70 National Electrical code in the United States.



4.1B

## 2.3 GENERAL INFORMATION

**FOR YOUR SATISFACTION, THIS APPLIANCE HAS BEEN TEST-FIRED TO ASSURE ITS OPERATION AND QUALITY!**

BHD4		
	NG	LP
Altitude (FT)	0-4,500	0-4500
Max. Input (BTU/HR)	30,000	30,000
Max. Output Steady State (BTU/HR)	23,000	23,000
Min. Inlet Gas Supply Pressure	4.5" (11mb) Water Column	11" (27mb) Water Column
Max. Inlet Gas Supply Pressure	7" (17mb) Water Column	13" (32mb) Water Column
Manifold Pressure (Under Flow Conditions)	3.5" (9mb) Water Column	10" (25mb) Water Column

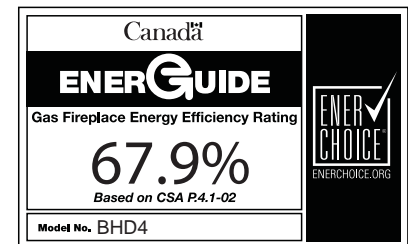
When the appliance is installed at elevations above 4,500 ft (1372m), and in the absence of specific recommendations from the local authority having jurisdiction, the certified high altitude input rating shall be reduced at the rate of 4% for each additional 1,000 ft (305m).

This appliance is approved for bathroom, bedroom and bed-sitting room installations and is suitable for mobile home installation.

No external electricity (110 volts or 24 volts) is required for the gas system operation. Expansion / contraction noises during heating up and cooling down cycles are normal and are to be expected.

If utilizing one of Wolf Steel's trim or surround kits, follow the framing instructions and the finishing instructions, for removal of the top extension.

**NOTE:** The protective wrap on plated parts is best removed when the assembly is at room temperature but this can be improved if the assembly is warmed, using a hair dryer or similar heat source.







## 3.0 VENTING

### WARNING

**RISK OF FIRE, MAINTAIN SPECIFIED AIR SPACE CLEARANCES TO VENT PIPE AND APPLIANCE.**

**IF VENTING IS INCLUDED WITH SPACERS THE VENT SYSTEM MUST BE SUPPORTED EVERY 3FT (0.9m) FOR BOTH VERTICAL AND HORIZONTAL RUNS. USE SUPPORTS OR EQUIVALENT NON-COMBUSTIBLE STRAPPING TO MAINTAIN THE REQUIRED CLEARANCE FROM COMBUSTIBLES. USE WOLF STEEL LTD. SUPPORT RING ASSEMBLY W010-0067 OR EQUIVALENT NON-COMBUSTIBLE STRAPPING TO MAINTAIN THE MINIMUM CLEARANCE TO COMBUSTIBLES FOR BOTH VERTICAL AND HORIZONTAL RUNS. SPACERS ARE ATTACHED TO THE INNER PIPE AT PREDETERMINED INTERVALS TO MAINTAIN AN EVEN AIR GAP TO THE OUTER PIPE. THIS GAP IS REQUIRED FOR SAFE OPERATION. A SPACER IS REQUIRED AT THE START, MIDDLE AND END OF EACH ELBOW TO ENSURE THIS GAP IS MAINTAINED. THESE SPACERS MUST NOT BE REMOVED.**

**THIS APPLIANCE USES A 5" (127mm) EXHAUST / 8" (203.2mm) AIR INTAKE VENT PIPE SYSTEM.  
Refer to the section applicable to your installation.**

For safe and proper operation of the appliance follow the venting instruction exactly. Deviation from the minimum vertical vent length can create difficulty in burner start-up and/or carboning. Under extreme vent configurations, allow several minutes (5-15) for the flame to stabilize after ignition. Provide a means for visually checking the vent connection to the appliance after the appliance is installed. Use a firestop, vent pipe shield or attic insulation shield when penetrating interior walls, floor or ceiling.

**NOTE: If for any reason the vent air intake system is disassembled; reinstall per the instructions provided for the initial installation.**

**NOTE: This appliance must be installed with a continuous connection of exhaust and air intake vent pipes. Utilizing alternate constructions such as a chimney as part of the vent system is not permitted.**

7.2C

### 3.1 VENTING LENGTHS AND COMPONENTS

Use only Wolf Steel, Simpson Dura-Vent, Selkirk Direct Temp, American Metal Amerivent or Metal-Fab venting components. Minimum and maximum vent lengths, for both horizontal and vertical installations, and air terminal locations for either system are set out in this manual and must be adhered to. For Simpson Dura-Vent, Selkirk Direct Temp, American Metal Amerivent and Metal-Fab follow the installation procedure provided with the venting components.

A starter adaptor must be used with the following vent systems and may be purchased from the corresponding supplier:

PART	5”/8”	SUPPLIER	WEBSITE
Duravent	W175-0170	Wolf Steel	www.duravent.com
Amerivent	5DSC-N2	American Metal	www.americanmetalproducts.com
Direct Temp	5DT-AA	Selkirk	www.selkirkcorp.com
SuperSeal	5DDA	Metal-Fab	www.mtlfab.com

**For Simpson Dura-Vent, Selkirk Direct Temp, American Metal Amerivent and Metal-Fab follow the installation procedure found on the website for your venting supplier.**

For vent systems that provide seals on the inner exhaust flue, only the outer air intake joints must be sealed using a red high temperature silicone (RTV). This same sealant may be used on both the inner exhaust and outer intake vent pipe joints of all other approved vent systems except for the exhaust vent pipe connection to the appliance flue collar which must be sealed using the black high temperature sealant Mill Pac.

When using Wolf Steel venting components, use only approved Wolf Steel rigid / flexible components with the following termination kits: wall terminal kit **GD422-1**, **GD422R-1**, or 1/12 to 7/12 pitch roof terminal kit **GD410**, 8/12 to 12/12 roof terminal kit **GD411**, flat roof terminal kit **GD412** or periscope kit **GD401** (for wall penetration below grade). With flexible venting, in conjunction with the various terminations, use either the 5 foot (1.5m) vent kit **GD420** or the 10 foot (3.1m) vent kit **GD430**.

**For optimum flame appearance and appliance performance, keep the vent length and number of elbows to a minimum.**

**The air terminal must remain unobstructed at all times. Examine the air terminal at least once a year to verify that it is unobstructed and undamaged.**

**Rigid and flexible venting systems must not be combined. Different venting manufacturer components must not be combined.**

These vent kits allow for either horizontal or vertical venting of the appliance. The maximum allowable horizontal run is 20 feet (6.1m). The maximum allowable vertical vent length is 40 feet (12.2m). The maximum number of vent connections is two horizontally or three vertically (excluding the appliance and the air terminal connections) when using flexible venting.

Horizontal runs may have a 0” (0mm) rise per foot/meter however for optimum performance it is recommended that all horizontal runs have a minimum 1/4” (6.4mm) rise per foot/meter using flexible venting. For safe and proper operation of the appliance, follow the venting instructions exactly.

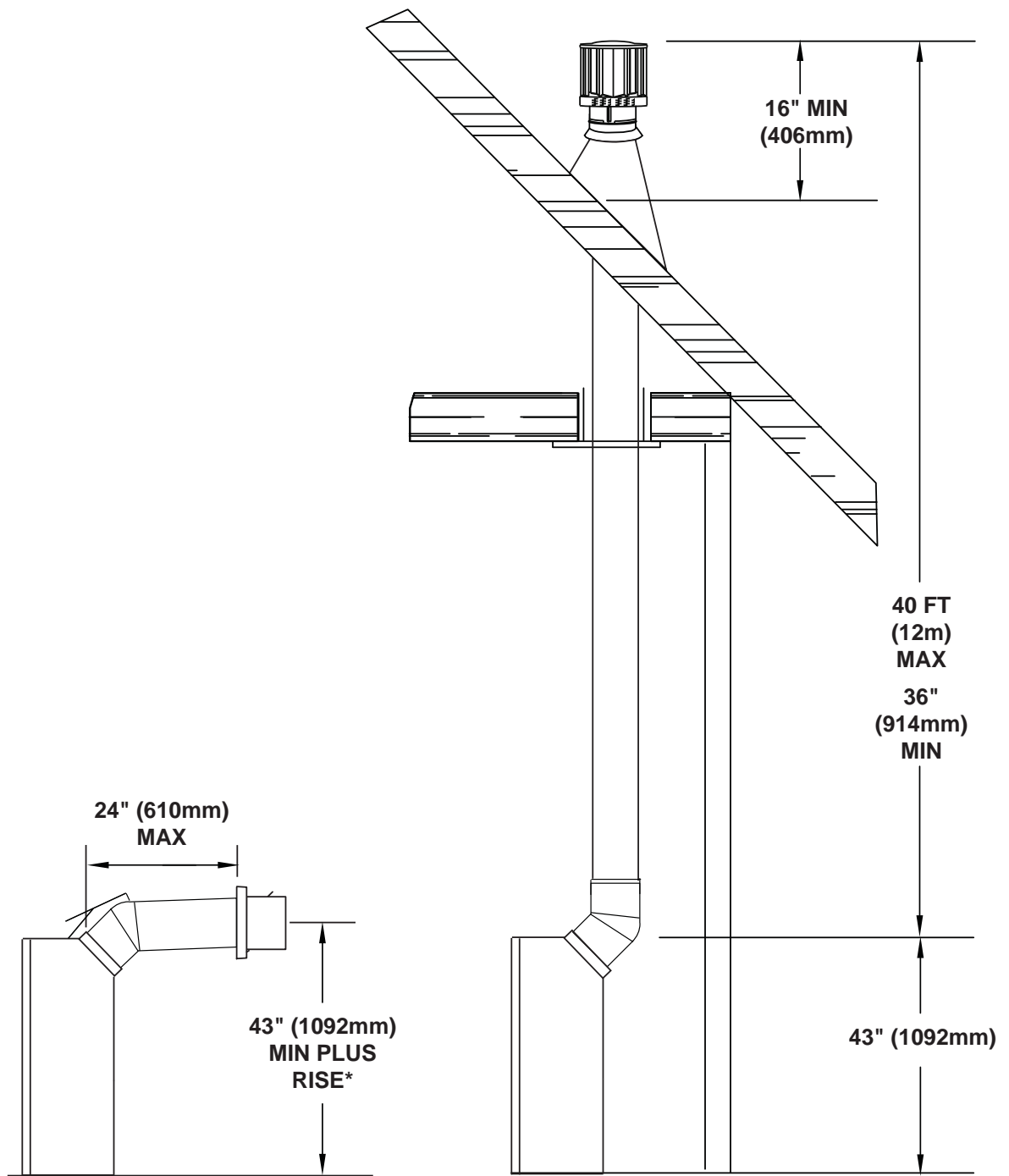
A terminal shall not terminate directly above a sidewalk or paved driveway which is located between two single family dwellings and serves both dwellings. Local codes or regulations may require different clearances.

Do not allow the inside liner to bunch up on horizontal or vertical runs and elbows. Keep it pulled tight. A 1/4” (31.8mm) air gap all around between the inner liner and outer liner is required for safe operation.

8.3A

## 3.2 TYPICAL VENT INSTALLATIONS

EN



When venting, the horizontal run must be kept to a maximum of 20 feet (6m). If a 20 foot (6m) horizontal run is required, the appliance must have a minimum vertical rise off the appliance of 57" (1448mm).

When terminating vertically, the vertical rise is a minimum 36" (914mm) and a maximum 40 feet (12m) above the appliance.

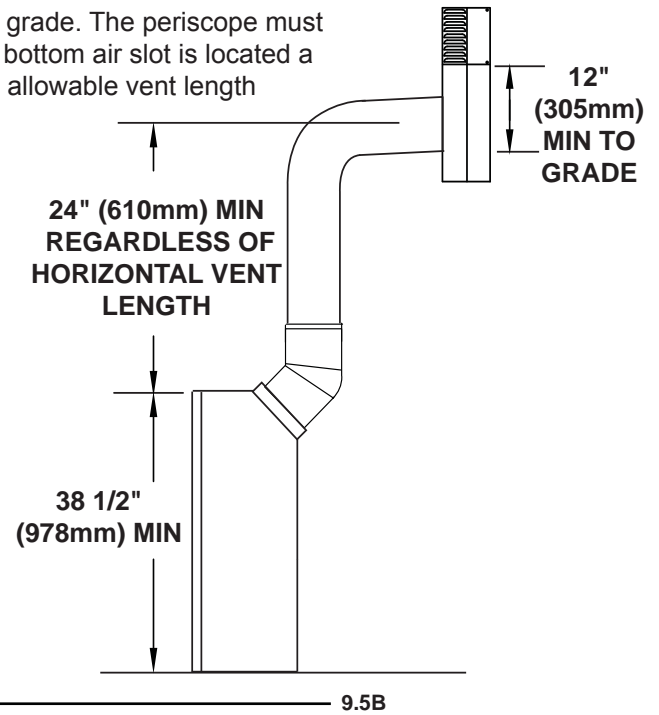
**On all horizontal vent runs, ensure that the vent pipe does not slope downward.**

\* See "VENTING" section.

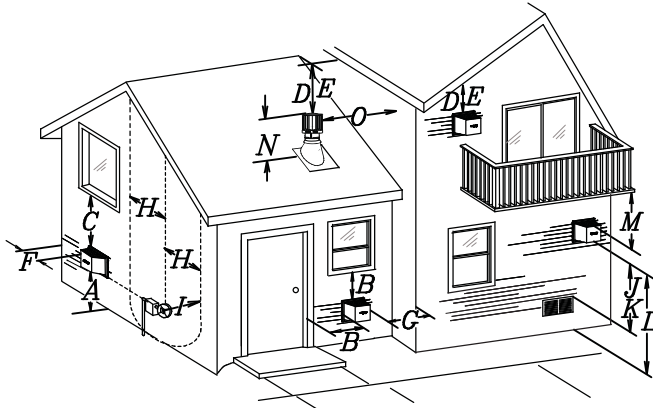
### 3.3 SPECIAL VENT INSTALLATIONS

#### 3.3.1 PERISCOPE TERMINATION

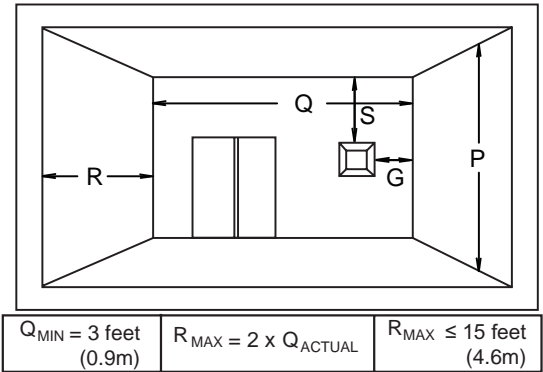
Use the periscope kit to locate the air termination above grade. The periscope must be installed so that when final grading is completed, the bottom air slot is located a minimum of 12" (304.8mm) above grade. The maximum allowable vent length is 10' (3.1m) for a fireplace and 8' (2.4m) for a stove.



3.4 VENT TERMINAL CLEARANCES



COVERED BALCONY APPLICATIONS ††\*



$Q_{MIN} = 3 \text{ feet}$ (0.9m)	$R_{MAX} = 2 \times Q_{ACTUAL}$	$R_{MAX} \leq 15 \text{ feet}$ (4.6m)
--------------------------------------	---------------------------------	--

INSTALLATIONS			
	CANADA	U.S.A.	
A	12" (305mm)	12" (305mm)	Clearance above grade, veranda porch, deck or balcony.
B	12" (305mm) <sup>Δ</sup>	9" (229mm) <sup>Δ</sup>	Clearance to windows or doors that open.
C	12" (305mm)*	12" (305mm) *	Clearance to permanently closed windows.
D	18" (457mm)**	18" (457mm)**	Vertical clearance to ventilated soffits located above the terminal within a horizontal distance of 2' (0.6m) from the center line of the terminal.
E	12" (305mm)**	12" (305mm)**	Clearance to unventilated soffit.
F	0" (0mm)	0" (0mm)	Clearance to an outside corner wall.
G	0" (0mm)***	0" (0mm)***	Clearance to an inside <b>non-combustible</b> corner wall or protruding <b>non-combustible</b> obstructions (chimney, etc.).
	2" (51mm)***	2" (51mm)***	Clearance to an inside <b>combustible</b> corner wall or protruding <b>combustible</b> obstructions (vent chase, etc.).
H	3' (0.9m)	3' (0.9m)****	Clearance to each side of the center line extended above the meter / regulator assembly to a maximum vertical distance of 15' (4.6m).
I	3' (0.9m)	3' (0.9m)****	Clearance to a service regulator vent outlet.
J	12" (305mm)	9" (229mm)	Clearance to a non-mechanical air supply inlet to the building or a combustion air inlet to any other appliance.
K	6' (1.8m)	3' (0.9m) †	Clearance to a mechanical air supply inlet.
L	7' (2.1m) ‡	7' (2.1m) ****	Clearance above a paved sidewalk or paved driveway located on public property.
M	12" (305mm)††	12" (305mm)****	Clearance under a veranda, porch or deck.
N	16" (406mm)	16" (406mm)	Clearance above the roof.
O	2' (0.6m)†*	2' (0.6m) †*	Clearance from an adjacent wall including neighbouring buildings.
P	8' (2.4m)	8' (2.4m)	Roof must be <b>non-combustible</b> without openings.
Q	3' (0.9m)	3' (0.9m)	See chart for wider wall dimensions.
R	6' (1.8m)	6' (1.8m)	See chart for deeper wall dimensions. The terminal shall not be installed on any wall that has an opening between the terminal and the open side of the structure.
S	12" (305mm)	12" (305mm)	Clearance under a covered balcony

Δ The terminal shall not be located less than 6 feet under a window that opens on a horizontal plane in a structure with three walls and a roof.

\* Recommended to prevent condensation on windows and thermal breakage

\*\* It is recommended to use a heat shield and to maximize the distance to vinyl clad soffits.

\*\*\* The periscope requires a minimum 18 inches clearance from an inside corner.

\*\*\*\* This is a recommended distance. For additional requirements check local codes.

† 3 feet above if within 10 feet horizontally.

‡ A vent shall not terminate where it may cause hazardous frost or ice accumulations on adjacent property surfaces.

†† Permitted only if the veranda, porch, or deck is fully open on a minimum of two sides beneath the floor.

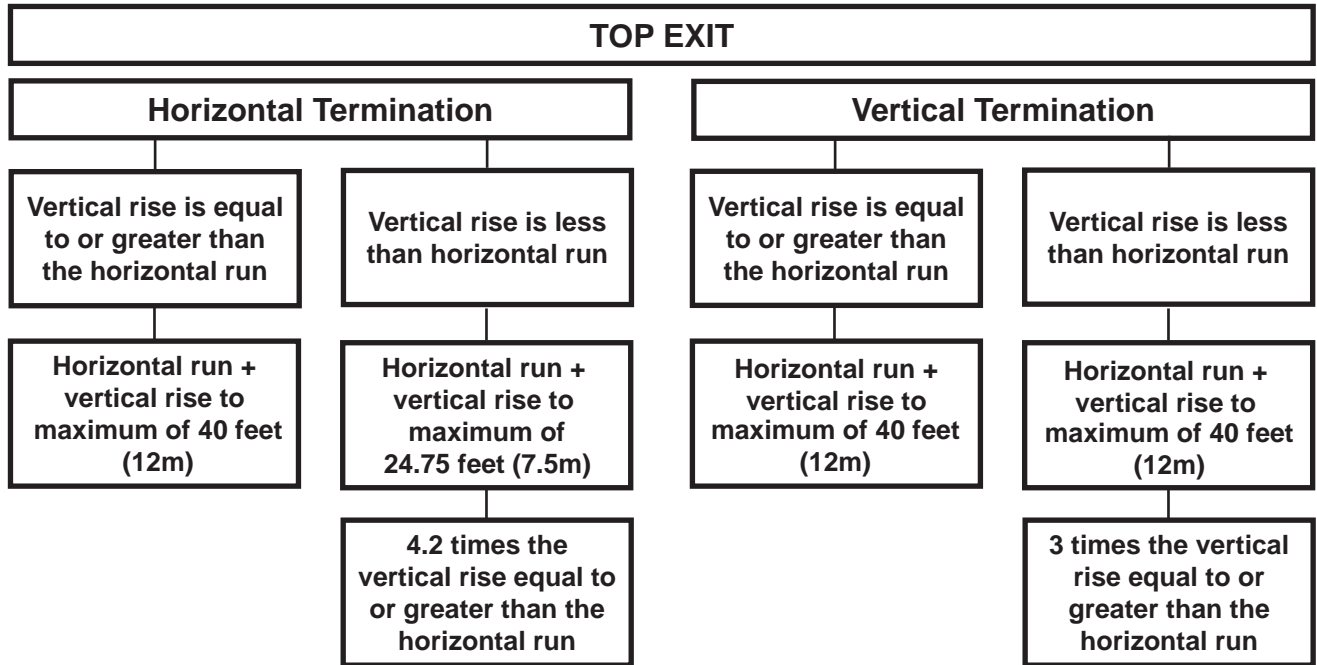
†\* Recommended to prevent recirculation of exhaust products. For additional requirements check local codes.

††\* Permitted only if the balcony is fully open on a minimum of one side.

**NOTE:** Clearances are in accordance with local installation codes and the requirements of the gas supplier.

12.1D

3.5 VENT APPLICATION FLOW CHART



13.1A

3.6 DEFINITIONS

For the following symbols used in the venting calculations and examples are:

> - greater than

≥ - equal to or greater than

< - less than

≤ - equal to or less than

$H_T$  - total of both horizontal vent lengths ( $H_r$ ) and offsets ( $H_o$ ) in feet

$H_R$  - combined horizontal vent lengths in feet

$H_o$  - offset factor: .03 (total degrees of offset - 135°\*) in feet

$V_T$  - combined vertical vent lengths in feet

14.2

3.7 ELBOW VENT LENGTH VALUES

	<u>FEET</u>	<u>INCHES</u>	<u>MILLIMETERS</u>
1°	0.03	0.5	12.7
15°	0.45	6.0	152.4
30°	0.9	11.0	279.4
45°*	1.35	16.0	406.4
90°*	2.7	32.0	812.8

\* The first 45° and 90° offset has a zero value and is shown in the formula as -45° and - 90° respectively or -135° when combined.

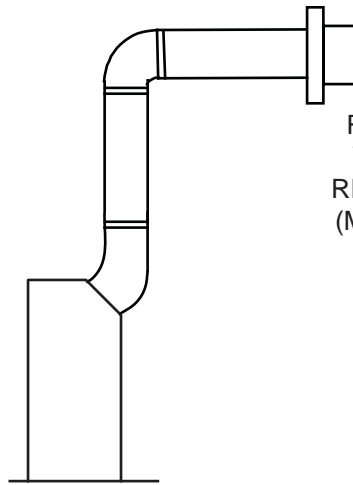
15.2A

3.8 HORIZONTAL TERMINATION

EN

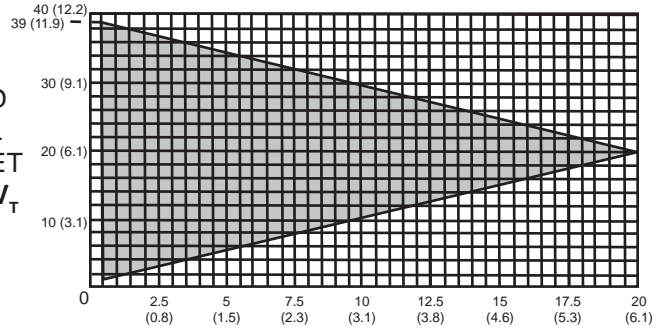
$(H_T) \leq (V_T)$

Simple venting configuration (only one 45° and 90° elbow)



REQUIRED VERTICAL RISE IN FEET (METERS)  $V_T$

See graph to determine the required vertical rise  $V_T$  for the required horizontal run  $H_T$ .



HORIZONTAL VENT RUN PLUS OFFSET IN FEET (METERS)  $H_T$

The shaded area within the lines represents acceptable values for  $H_T$  and  $V_T$

For vent configurations requiring more than one 45° elbow and 90° elbow, the following formulas apply:

Formula 1:  $H_T \leq V_T$

Formula 2:  $H_T + V_T \leq 40 \text{ feet (12.2m)}$

Example:

$V_1 = 8 \text{ FT (2.4m)}$

$V_T = V_1 = 8 \text{ FT (2.4m)}$

$H_1 = 2.5 \text{ FT (0.8m)}$

$H_2 = 2 \text{ FT (0.6m)}$

$H_R = H_1 + H_2 = 2.5 \text{ FT (0.8m)} + 2 \text{ FT (0.6m)} = 4.5 \text{ FT (1.4m)}$

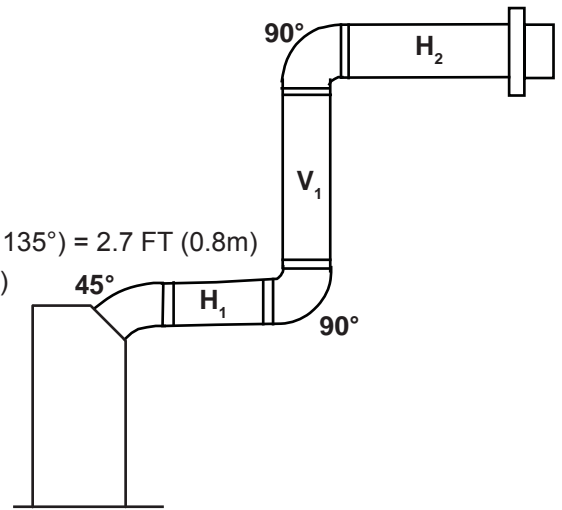
$H_o = .03 \text{ (one } 45^\circ \text{ elbow + two } 90^\circ \text{ elbows - } 135^\circ) = .03 \text{ (} 225 - 135^\circ) = 2.7 \text{ FT (0.8m)}$

$H_T = H_R + H_o = 4.5 \text{ FT (1.4m)} + 2.7 \text{ FT (0.8m)} = 7.2 \text{ FT (2.2m)}$

$H_T + V_T = 7.2 \text{ FT (2.2m)} + 8 \text{ FT (2.4m)} = 15.2 \text{ FT (4.6m)}$

Formula 1:  $H_T \leq V_T$   
 $7.2 \text{ FT (2.2m)} \leq 8 \text{ FT (2.4m)}$

Formula 2:  $H_T + V_T \leq 40 \text{ FT (12.2m)}$   
 $15.2 \text{ FT (4.6m)} \leq 40 \text{ FT (12.2m)}$

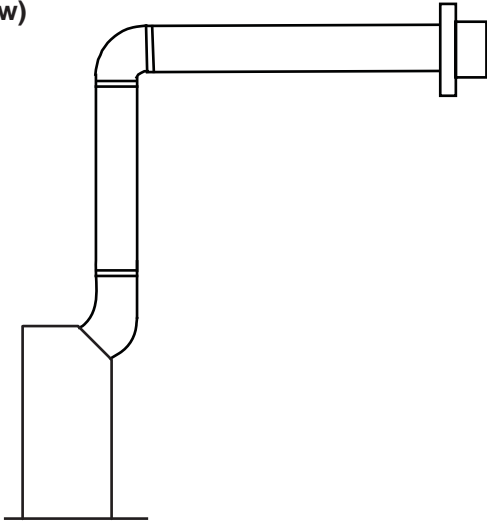


Since both formulas are met, this vent configuration is acceptable.

16.5A

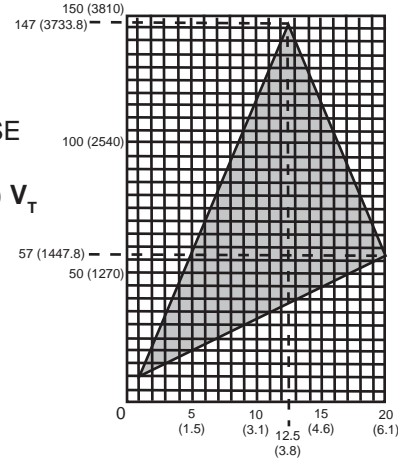
$(H_T) > (V_T)$

Simple venting configuration (only one 45° and 90° elbow)



See graph to determine the required vertical rise  $V_T$  for the required horizontal run  $H_T$

REQUIRED VERTICAL RISE IN INCHES (MILLIMETERS)  $V_T$



HORIZONTAL VENT RUN PLUS OFFSET IN FEET (METERS)  $H_T$

The shaded area within the lines represents acceptable values for  $H_T$  and  $V_T$

For vent configurations requiring more than one 45° elbow and 90° elbow, the following formulas apply:

Formula 1:  $H_T \leq 4.2 V_T$

Formula 2:  $H_T + V_T \leq 24.75$  feet (7.5m)

Example:

$V_1 = 4$  FT (1.2m)

$V_2 = 1.5$  FT (0.5m)

$V_T = V_1 + V_2 = 4$  FT (1.2m) + 1.5 FT (0.5m) = 5.5 FT (1.7m)

$H_1 = 2$  FT (0.6m)

$H_2 = 1$  FT (0.3m)

$H_3 = 1$  FT (0.3m)

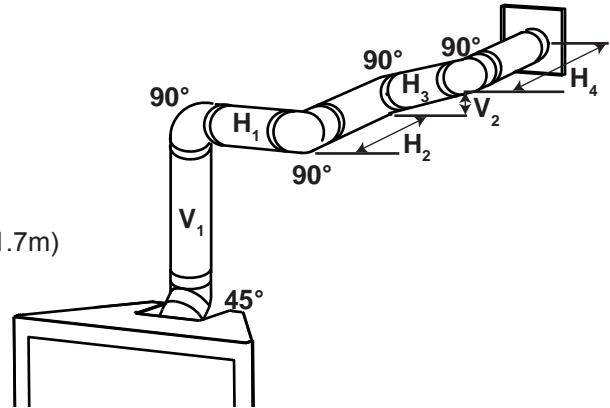
$H_4 = 1.5$  FT (0.5m)

$H_R = H_1 + H_2 + H_3 + H_4 = 2$  FT (0.6m) + 1 FT (0.3m) + 1 FT (0.3m) + 1.5 FT (0.5m) = 5.5 FT (1.7m)

$H_O = .03$  (one 45° elbow + four 90° elbows - 135°) = .03 (405 - 135°) = 8.1 FT (2.5m)

$H_T = H_R + H_O = 5.5$  FT (1.7m) + 8.1 FT (2.5m) = 13.6 FT (4.2m)

$H_T + V_T = 13.6$  FT (4.2m) + 5.5 FT (1.7m) = 19.1 FT (5.8m)



Formula 1:  $H_T \leq 4.2 V_T$

$4.2 \text{ FT (1.3m) } V_T = 4.2 \text{ FT (1.3m) } \times 5.5 \text{ FT (1.7m)} = 23.1 \text{ FT (7m)}$

$13.6 \text{ FT (4.2m)} \leq 23.1 \text{ FT (7m)}$

Formula 2:  $H_T + V_T \leq 24.75 \text{ FT (7.5m)}$

$19.1 \text{ FT (5.8m)} \leq 24.75 \text{ FT (7.5m)}$

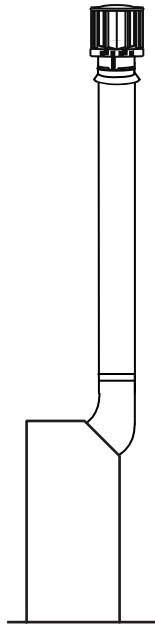
Since both formulas are met, this vent configuration is acceptable.



3.9 VERTICAL TERMINATION

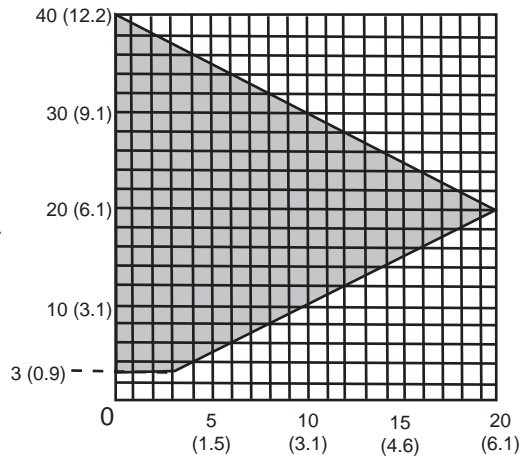
$(H_T) \leq (V_T)$

Simple venting configurations.



See graph to determine the required vertical rise  $V_T$  for the required horizontal run  $H_T$ .

REQUIRED VERTICAL RISE IN FEET (METERS)  $V_T$



HORIZONTAL VENT RUN PLUS OFFSET IN FEET (METERS)  $H_T$

The shaded area within the lines represents acceptable values for  $H_T$  and  $V_T$

For vent configurations requiring more than one 45° and one 90° elbow, the following formulas apply:

Formula 1:  $H_T \leq V_T$

Formula 2:  $H_T + V_T \leq 40$  feet (12.2m)

Example:

$V_1 = 5$  FT (1.5m)

$V_2 = 10$  FT (3.1m)

$V_T = V_1 + V_2 = 5$  FT (1.5m) + 10 FT (3.1m) = 15 FT (4.6m)

$H_1 = 3$  FT (0.9m)

$H_2 = 2.5$  FT (0.8m)

$H_R = H_1 + H_2 = 3$  FT (0.9m) + 2.5 FT (0.8m) = 5.5 FT (1.7m)

$H_o = .03$  (one 45° + three 90° elbows - 135°)

$= .03 (45 + 270 - 135) = 5.4$  FT (1.6m)

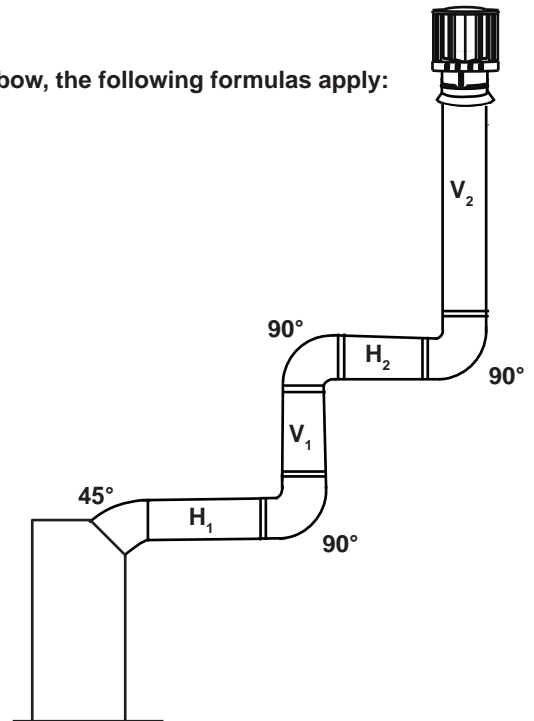
$H_T = H_R + H_o = 5.5$  FT (1.7m) + 5.4 FT (1.6m) = 10.9 FT (3.3m)

$H_T + V_T = 10.9$  FT (3.3m) + 15 FT (4.6m) = 25.9 FT (7.9m)

Formula 1:  $H_T \leq V_T$   
 $10.9$  FT (3.3m)  $\leq$  15 (4.6m)

Formula 2:  $H_T + V_T \leq 40$  FT (12.2m)  
 $25.9$  FT (7.9m)  $\leq$  40 (12.2m)

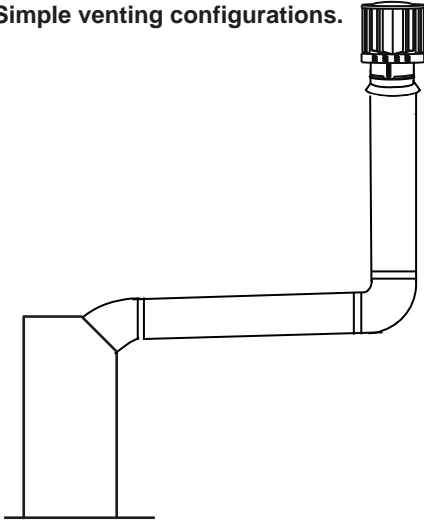
Since both formulas are met, this vent configuration is acceptable.



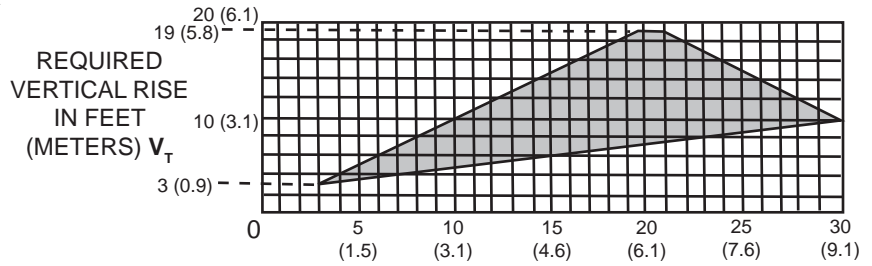
18.3A

$(H_T) > (V_T)$

Simple venting configurations.



See graph to determine the required vertical rise  $V_T$  for the required horizontal run  $H_T$ .



HORIZONTAL VENT RUN PLUS OFFSET IN FEET (METERS)  $H_T$

The shaded area within the lines represents acceptable values for  $H_T$  and  $V_T$

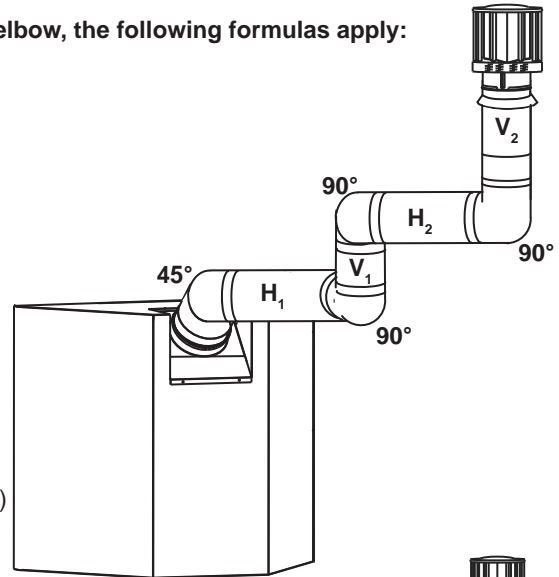
For vent configurations requiring more than one 45° and one 90° elbow, the following formulas apply:

**Formula 1:**  $H_T \leq 3V_T$

**Formula 2:**  $H_T + V_T \leq 40$  feet (12.2m)

**Example:**

$V_1 = 1$  FT (0.3m)  
 $V_2 = 1.5$  FT (0.5m)  
 $V_T = V_1 + V_2 = 1$  FT (0.3m) + 1.5 FT (0.5m) = 2.5 FT (0.8m)  
 $H_1 = 6$  FT (1.8m)  
 $H_2 = 2$  FT (0.6m)  
 $H_R = H_1 + H_2 = 6$  FT (1.8m) + 2 FT (0.6m) = 8 FT (2.4m)  
 $H_o = .03$  (one 45° + three 90° elbows - 135°)  
 $= .03$  (45 + 270 - 135°) = 5.4 FT (1.6m)  
 $H_T = H_R + H_o = 8$  FT (2.4m) + 5.4 FT (1.6m) = 13.4 FT (4.1m)  
 $H_T + V_T = 13.4$  FT (4.1m) + 2.5 FT (0.8m) = 15.9 FT (4.8m)



**Formula 1:**  $H_T \leq 3V_T$   
 $3V_T = 3$  FT (0.9m) x 2.5 FT (0.8m) = 7.5 FT (2.3m)  
 13.4 FT (4.1m) > 7.5 FT (2.3m)

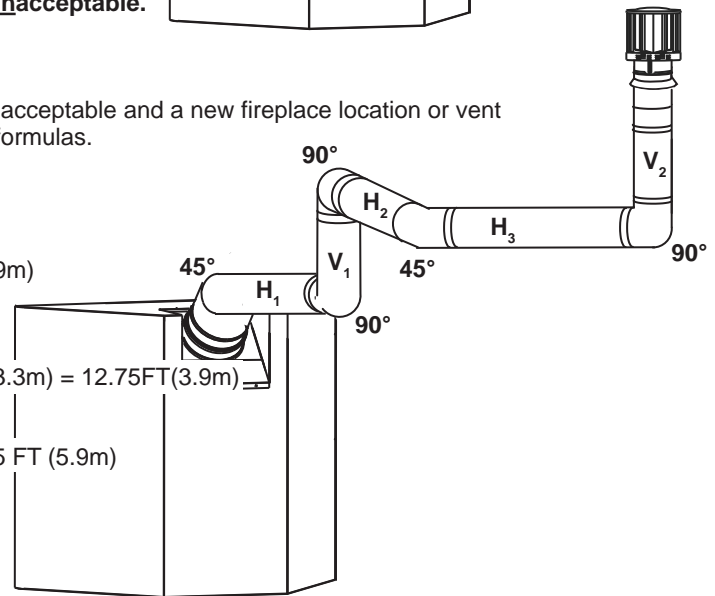
Since this formula is not met, this vent configuration is **unacceptable**.

**Formula 2:**  $H_T + V_T \leq 40$  FT (12.2m)  
 15.9 FT (4.8m) ≤ 40 FT (12.2m)

Since only formula 2 is met, this vent configuration is unacceptable and a new fireplace location or vent configuration will need to be established to satisfy both formulas.

**Example:**

$V_1 = 1.5$  FT (0.5m)  
 $V_2 = 8$  FT (2.4m)  
 $V_T = V_1 + V_2 = 1.5$  FT (0.5m) + 8 FT (2.4m) = 9.5 FT (2.9m)  
 $H_1 = 1$  FT (0.3m)  
 $H_2 = 1$  FT (0.3m)  
 $H_3 = 10.75$  FT (3.3m)  
 $H_R = H_1 + H_2 + H_3 = 1$  FT (0.3m) + 1 FT (0.3m) + 10.75 FT (3.3m) = 12.75 FT (3.9m)  
 $H_o = .03$  (three 90° elbows + two 45° elbows - 135°)  
 $= .03$  (270 + 90 - 135°) = 6.75 FT (2.1m)  
 $H_T = H_R + H_o = 12.75$  FT (3.9m) + 6.75 FT (2.1m) = 19.5 FT (5.9m)  
 $H_T + V_T = 19.5$  FT (5.9m) + 9.5 FT (2.9m) = 29 FT (8.8m)



**Formula 1:**  $H_T \leq 3V_T$   
 $3V_T = 3$  x 9.5 = 28.5 FT (8.7m)  
 19.5 FT (5.9m) ≤ 28.5 FT (8.7m)

**Formula 2:**  $H_T + V_T \leq 40$  FT (12.2m)  
 29 FT (8.8m) ≤ 40 FT (12.2m)

Since both formulas are met, this vent configuration is acceptable.

## 4.0 INSTALLATION

<b>! WARNING</b>
<b>ENSURE TO UNPACK ALL LOOSE MATERIALS FROM INSIDE THE FIREBOX PRIOR TO HOOKING UP THE GAS AND ELECTRICAL SUPPLY.</b>
<b>IF YOUR APPLIANCE IS SUPPLIED WITH A REMOTE ENSURE THE REMOTE RECEIVER IS IN THE "OFF" POSITION PRIOR TO HOOKING UP THE GAS AND ELECTRICAL SUPPLY TO THE APPLIANCE.</b>
<b>FOR SAFE AND PROPER OPERATION OF THE APPLIANCE, FOLLOW THE VENTING INSTRUCTIONS EXACTLY.</b>
<b>ALL INNER EXHAUST AND OUTER INTAKE VENT PIPE JOINTS MAY BE SEALED USING EITHER RED RTV HIGH TEMP SILICONE SEALANT W573-0002 (NOT SUPPLIED) OR BLACK HIGH TEMP MILL PAC W573-0007 (NOT SUPPLIED) WITH THE EXCEPTION OF THE APPLIANCE EXHAUST FLUE COLLAR WHICH MUST BE SEALED USING MILL PAC.</b>
<b>IF USING PIPE CLAMPS TO CONNECT VENT COMPONENTS, 3 SCREWS MUST ALSO BE USED TO ENSURE THE CONNECTION CANNOT SLIP OFF.</b>
<b>DO NOT CLAMP THE FLEXIBLE VENT PIPE.</b>
<b>RISK OF FIRE, EXPLOSION OR ASPHYXIATION. IMPROPER SUPPORT OF THE ENTIRE VENTING SYSTEM MAY ALLOW VENT TO SAG AND SEPARATE. USE VENT RUN SUPPORTS AND CONNECT VENT SECTIONS PER INSTALLATION INSTRUCTIONS.</b>
<b>RISK OF FIRE, DO NOT ALLOW LOOSE MATERIALS OR INSULATION TO TOUCH THE VENT PIPE. REMOVE INSULATION TO ALLOW FOR THE INSTALLATION OF THE ATTIC SHIELD AND TO MAINTAIN CLEARANCES TO COMBUSTIBLES.</b>

68.2B

### 4.1 WALL AND CEILING PROTECTION

<b>! WARNING</b>
<b>DO NOT FILL THE SPACE BETWEEN THE VENT PIPE AND ENCLOSURE WITH ANY TYPE OF MATERIAL. DO NOT PACK INSULATION OR COMBUSTIBLES BETWEEN CEILING FIRESTOPS. ALWAYS MAINTAIN SPECIFIED CLEARANCES AROUND VENTING AND FIRESTOP SYSTEMS. INSTALL WALL SHIELDS AND FIRESTOPS AS SPECIFIED. FAILURE TO KEEP INSULATION OR OTHER MATERIALS AWAY FROM VENT PIPE MAY CAUSE FIRE.</b>

70.1

For optimum performance it is recommended that all horizontal runs have a minimum of 1/4" (6mm) rise per foot/meter using flexible venting. For safe and proper operation of the appliance, follow the venting instructions exactly.

For clearance to combustible materials from the vent pipe, see "MINIMUM CLEARANCE TO COMBUSTIBLES" section.

**NOTE:** The firestop / vent shield supplied with this appliance must be used when passing through a combustible wall or floor.

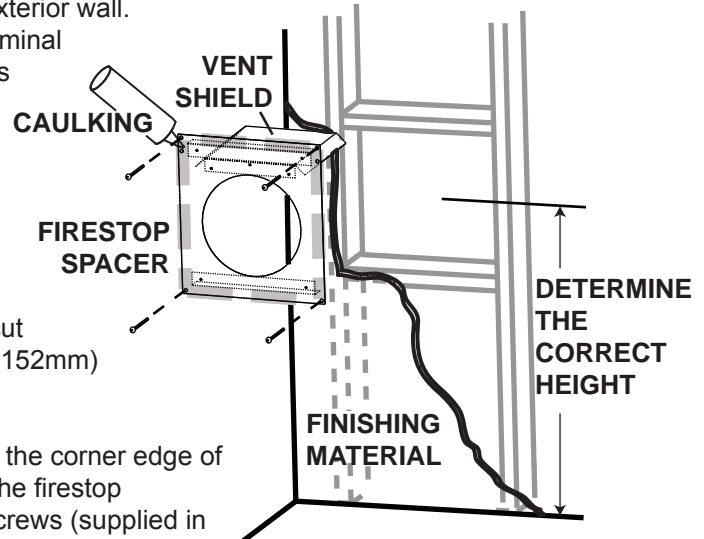
**! WARNING**

**THE FIRESTOP ASSEMBLY MUST BE INSTALLED WITH THE VENT SHIELD TO THE TOP.**

**TERMINALS MUST NOT BE RECESSED INTO A WALL OR SIDING MORE THAN THE DEPTH OF THE RETURN FLANGE OF THE MOUNTING PLATE.**

This application occurs when venting through an exterior wall. Having determined the correct height for the air terminal location, cut and frame a hole in the exterior wall as illustrated to accommodate the firestop assembly. Dry fit the firestop assembly before proceeding to ensure the brackets on the rear surface fit to the inside surface of the horizontal framing.

The vent shield is telescopic and must be adjusted to shield the full depth of the combustible wall penetration. The length of the vent shield may be cut shorter for combustible walls that are less than 6" (152mm) thick.



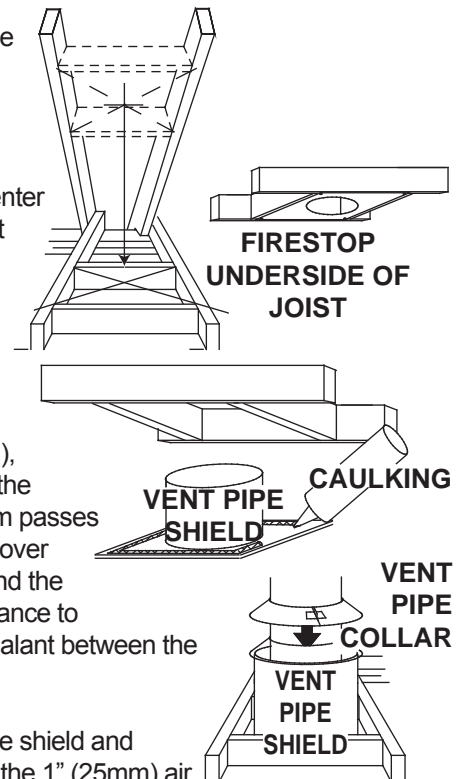
- A. Apply a bead of caulking (not supplied) around the corner edge of the inside surface of the firestop assembly, fit the firestop assembly to the hole and secure using the 4 screws (supplied in your manual baggie).
- B. Once the vent pipe is installed in its final position, apply high temperature sealant W573-0007 (not supplied) between the pipe and the firestop.

20.7

## 4.1.2 VERTICAL INSTALLATION

This application occurs when venting through a roof. Installation kits for various roof pitches are available from your authorized dealer / distributor. See accessories to order specific kits required.

- A. Determine the air terminal location, cut and frame a square opening as illustrated in the ceiling and the roof to provide the minimum 1" (25mm) clearance between the vent pipe and any combustible material. Try to center the vent pipe location midway between two joists to prevent having to cut them. Use a plumb bob to line up the center of the openings. A vent pipe shield will prevent any materials such as insulation, from filling up the 1" (25mm) air space around the pipe. Nail headers between the joist for extra support.
- B. Apply a bead of caulking (not supplied) to the framework or to the Wolf Steel vent pipe shield plate or equivalent (in the case of a finished ceiling), and secure over the opening in the ceiling. A firestop must be placed on the bottom of each framed opening in a roof or ceiling that the venting system passes through. Apply a bead of caulking all around and place a firestop spacer over the vent shield to restrict cold air from being drawn into the room or around the fireplace. Ensure that both spacer and shield maintain the required clearance to combustibles. Once the vent pipe is installed in its final position, apply sealant between the pipe and the firestop assembly.
- C. In the attic, slide the vent pipe collar down to cover up the open end of the shield and tighten. This will prevent any materials, such as insulation, from filling up the 1" (25mm) air space around the pipe.



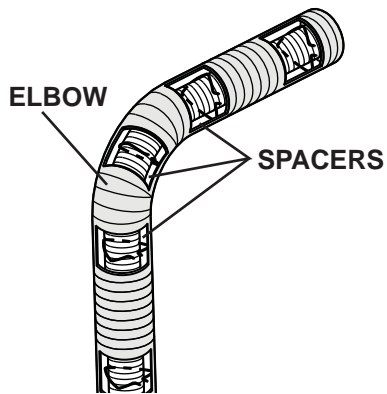
21.1

## 4.2 USING FLEXIBLE VENT COMPONENTS

**! WARNING**

**DO NOT ALLOW THE INNER FLEX PIPE TO BUNCH UP ON HORIZONTAL OR VERTICAL RUNS AND ELBOWS. KEEP IT PULLED TIGHT.**

**SPACERS ARE ATTACHED TO THE INNER FLEX PIPE AT PREDETERMINED INTERVALS TO MAINTAIN AN EVEN AIR GAP TO THE OUTER FLEX PIPE. THIS GAP IS REQUIRED FOR SAFE OPERATION. A SPACER IS REQUIRED AT THE START, MIDDLE AND END OF EACH ELBOW TO ENSURE THIS GAP IS MAINTAINED. THESE SPACERS MUST NOT BE REMOVED.**



For safe and proper operation of the appliance, follow the venting instructions exactly.

All inner flex pipe and outer flex pipe joints may be sealed using high temperature sealant W573-0002 (not supplied) or the high temperature sealant W573-0007 Mill Pac (not supplied). However, the high temperature sealant W573-0007 Mill Pac (not supplied) must be used on the joint connecting the inner flex pipe and the exhaust flue collar.

**Use only approved flexible vent pipe kits marked:**

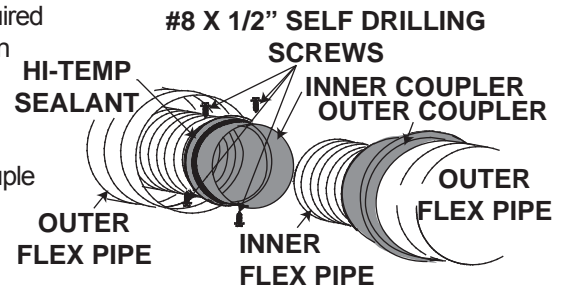
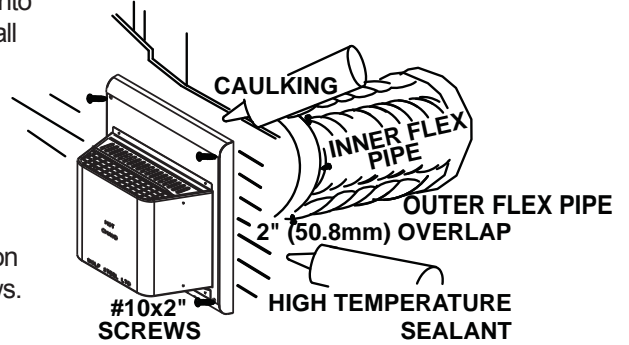


**“Wolf Steel Approved Venting” as identified by the stamp only on the outer flex pipe.**

22.1

## 4.2.1 HORIZONTAL AIR TERMINAL INSTALLATION

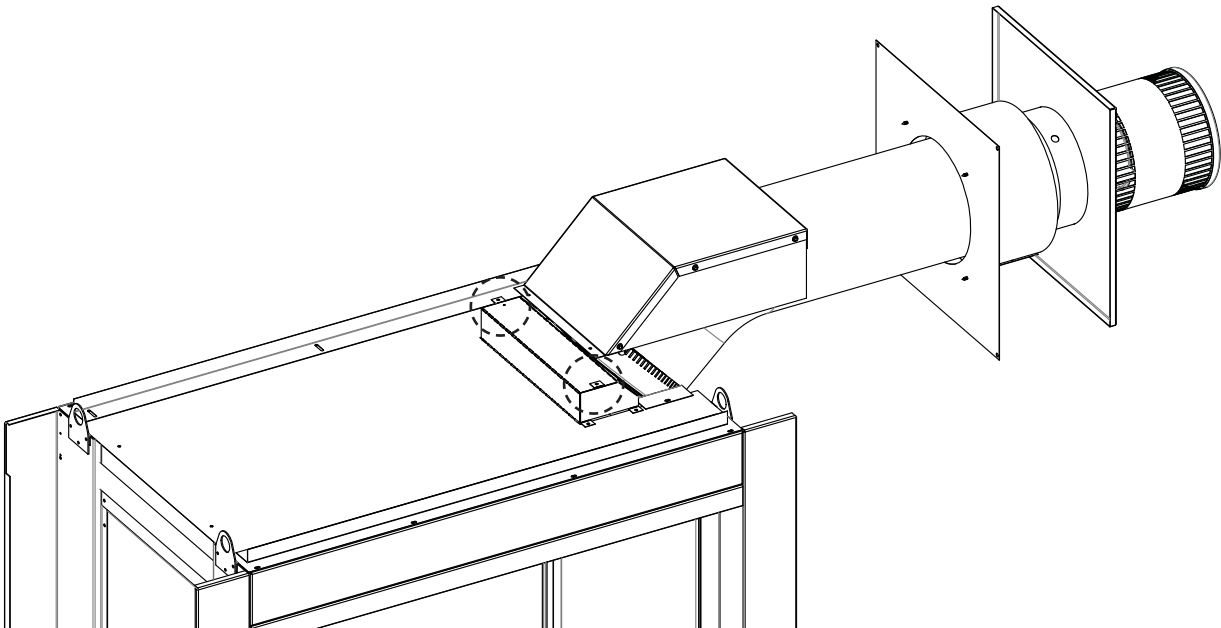
- A. Stretch the inner flex pipe to the required length taking into account the additional length needed for the finished wall surface. Apply a heavy bead of the high temperature sealant W573-0007 Mill Pac (not supplied) to the inner sleeve of the air terminal. Slip the vent pipe a minimum of 2" (50.8mm) over the inner sleeve of the air terminal and secure with 3 #8 screws.
- B. Using the outer flex pipe, slide over the outer combustion air sleeve of the air terminal and secure with 3 #8 screws. Seal using high temperature sealant W573-0002 (not supplied).
- C. Insert the vent pipes through the firestop maintaining the required clearance to combustibles. Holding the air terminal (lettering in an upright, readable position), secure to the exterior wall and make weather tight by sealing with caulking (not supplied).
- D. If more vent pipe needs to be used to reach the fireplace, couple them together as illustrated. The vent system must be supported approximately every 3 feet (0.9m) for both vertical and horizontal runs. Use noncombustible strapping to maintain the minimum clearance to combustibles.



The air terminal mounting plate may be recessed into the exterior wall or siding no greater than the depth of its return flange.

23.1B

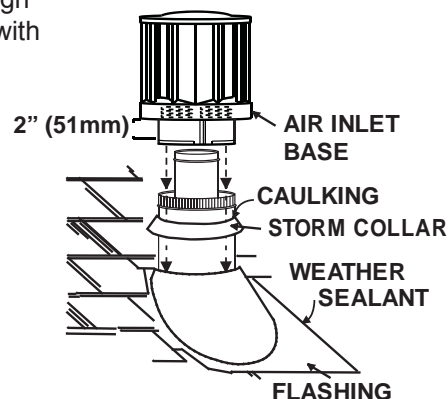
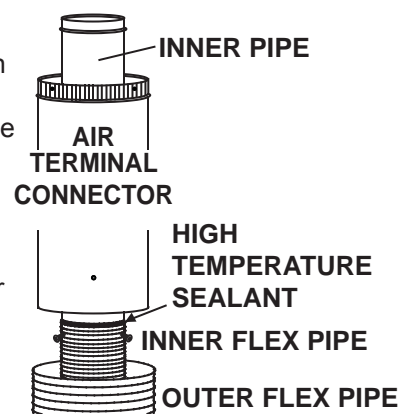
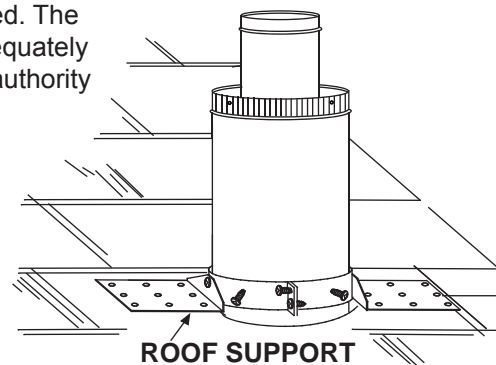
- E. The vent shield must be installed only when terminating horizontally. Remove the two screws nearest the vent collars on the top of the appliance. Align the vent heat shield (supplied) and secure. Adjust the vent heat shield to touch the firestop spacer, as shown below.



## 4.2.2 VERTICAL AIR TERMINAL INSTALLATION

**! WARNING****MAINTAIN A MINIMUM 2" (51mm) SPACE BETWEEN THE AIR INLET BASE AND THE STORM COLLAR.**

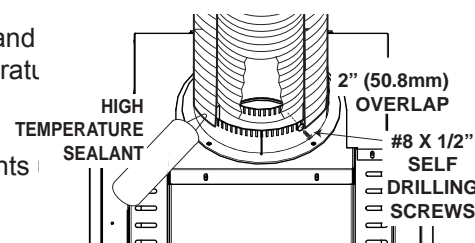
- A.** Fasten the roof support to the roof using the screws provided. The roof support is optional. In this case the venting is to be adequately supported using either an alternate method suitable to the authority having jurisdiction or the optional roof support.
- B.** Stretch the inner flex pipe to the required length. Slip the inner flex pipe a minimum of 2" (51mm) over the inner pipe of the air terminal connector and secure with 3 #8 screws. Seal using a heavy bead of high temperature sealant W573-0007 (not supplied).
- C.** Repeat using the outer flex pipe, using a heavy bead of high temperature sealant W573-0002 (not supplied).
- D.** Thread the air terminal connector / vent pipe assembly down through the roof. The air terminal must be positioned vertically and plumb. Attach the air terminal connector to the roof support, ensuring that the top of the air terminal is 16" (406mm) above the highest point that it penetrates the roof.
- E.** Remove nails from the shingles, above and to the sides of the air terminal connector. Place the flashing over the air terminal connector leaving a min. 3/4" (19mm) of the air terminal connector showing above the top of the flashing. Slide the flashing underneath the sides and upper edge of the shingles. Ensure that the air terminal connector is properly centred within the flashing, giving a 3/4" (19mm) margin all around. Fasten to the roof. Do not nail through the lower portion of the flashing. Make weather-tight by sealing with caulking. Where possible, cover the sides and top edges of the flashing with roofing material.
- F.** Aligning the seams of the terminal and air terminal connector, place the terminal over the air terminal connector making sure the vent pipe goes into the hole in the terminal. Secure with the three screws provided.
- G.** Apply a heavy bead of weatherproof caulking 2" (51mm) above the flashing. Install the storm collar around the air terminal and slide down to the caulking. Tighten to ensure that a weather-tight seal between the air terminal and the collar is achieved.
- H.** If more vent pipe needs to be used to reach the appliance see "HORIZONTAL AIR TERMINAL INSTALLATION" section.



24.1A


## 4.2.3 APPLIANCE VENT CONNECTION

- A.** Install the inner flex pipe to the appliance. Secure with 3 screws and flat washers. Seal the joint and screw holes using the high temperature sealant W573-0007 (not supplied).
- B.** Install the outer flex pipe to the appliance. Attach and seal the joints with the high temperature sealant W573-0002 (not supplied).



28.2A

## 4.3 GAS INSTALLATION

 <b>WARNING</b>
<b>RISK OF FIRE, EXPLOSION OR ASPHYXIATION. ENSURE THERE ARE NO IGNITION SOURCES SUCH AS SPARKS OR OPEN FLAMES.</b>
<b>SUPPORT GAS CONTROL WHEN ATTACHING GAS SUPPLY PIPE TO PREVENT DAMAGING GAS LINE.</b>
<b>ALWAYS LIGHT THE PILOT WHETHER FOR THE FIRST TIME OR IF THE GAS SUPPLY HAS RUN OUT WITH THE GLASS DOOR OPENED OR REMOVED. PURGING OF THE GAS SUPPLY LINE SHOULD BE PERFORMED BY A QUALIFIED SERVICE TECHNICIAN. ASSURE THAT A CONTINUOUS GAS FLOW IS AT THE BURNER BEFORE CLOSING THE DOOR. ENSURE ADEQUATE VENTILATION. FOR GAS AND ELECTRICAL LOCATIONS, SEE “DIMENSION” SECTION.</b>
<b>ALL GAS CONNECTIONS MUST BE CONTAINED WITHIN THE APPLIANCE WHEN COMPLETE.</b>
<b>HIGH PRESSURE WILL DAMAGE VALVE. DISCONNECT GAS SUPPLY PIPING BEFORE TESTING GAS LINE AT TEST PRESSURES ABOVE 1/2 PSIG.</b>
<b>VALVE SETTINGS HAVE BEEN FACTORY SET, DO NOT CHANGE.</b>

Installation and servicing to be done by a qualified installer. **Do not use open flame.**

- Move the appliance into position and secure.
- If equipped with a flex connector the appliance is designed to accept a 1/2" (13mm) gas supply. Without the connector it is designed to accept a 3/8" (9.5mm) gas supply. The appliance is equipped with a manual shut off valve to turn off the gas supply to the appliance.
- Connect the gas supply in accordance to local codes. In the absence of local codes, install to the current CAN/CSA-B149.1 Installation Code in Canada or to the current National Fuel Gas Code, ANSI Z223.1 / NFPA 54 in the United States.
- When flexing any gas line, support the gas valve so that the lines are not bent or kinked.
- Check for gas leaks by brushing on a soap and water solution.

30.1A

## 4.4 MOBILE HOME INSTALLATION

This appliance is also certified to be installed as an OEM (Original Equipment Manufacturer) installation in a manufactured home (U.S. only) or mobile home and must be installed in accordance with the manufacturer's instructions and the Manufactured Home Construction and Safety Standard, Title 24 CFR, Part 3280, in the United States or the Mobile Home Standard, CAN/CSA Z240 MH Series, in Canada. This appliance is only for use with the type(s) of gas indicated on the rating plate.

This Mobile/Manufactured Home Listed appliance comes factory equipped with a means to secure the unit. Built in appliances are equipped with 1/4" (6.4mm) diameter holes located in the front left and right corners of the base. Use #10 hex head screws, inserted through the holes in the base to secure. For free standing products contact your local authorized dealer / distributor for the appropriate securing kit. For mobile home installations, the appliance must be fastened in place. It is recommended that the appliance be secured in all installations. Always turn off the pilot and the fuel supply at the source, prior to moving the mobile home. After moving the mobile home and prior to lighting the appliance, ensure that the logs are positioned correctly.

This appliance is certified to be installed in an aftermarket permanently located, manufactured (mobile) home, where not prohibited by local codes.

This appliance is only for use with the type of gas indicated on the rating plate. This appliance is not convertible for use with other gases, unless a certified kit is used.

A conversion kit is supplied with the mobile home appliance.

#### Conversion Kits

This appliance is field convertible between Natural Gas (NG) and Propane (LP).

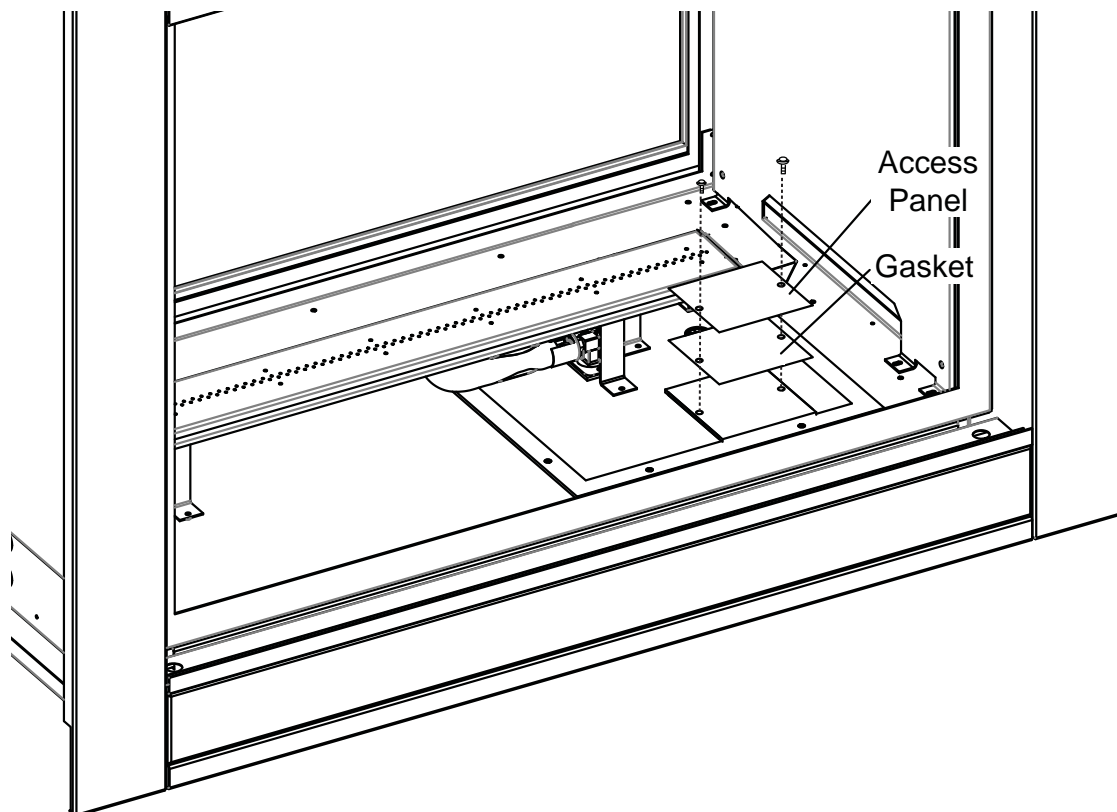
To convert from one gas to another consult your Authorized dealer/distributor.

29.1A



#### 4.5 ACCESS PANEL FOR GAS LINE CONNECTION

- A. Remove the screen and door from the appliance, see "SIDE SCREEN REMOVAL / DOOR REMOVAL" section.
- B. Remove media and media tray from the appliance, see "CRADLE BURNER REMOVAL" section.
- C. Unscrew the 2 screws that hold the access panel to the firebox.
- D. Remove the gasket (careful not to tear).



## 5.0 FRAMING

EN

<b>! WARNING</b>
<b>RISK OF FIRE!</b>
<b>IN ORDER TO AVOID THE POSSIBILITY OF EXPOSED INSULATION OR VAPOUR BARRIER COMING IN CONTACT WITH THE APPLIANCE BODY, IT IS RECOMMENDED THAT THE WALLS OF THE APPLIANCE ENCLOSURE BE "FINISHED" (IE: DRYWALL / SHEETROCK), AS YOU WOULD FINISH ANY OTHER OUTSIDE WALL OF A HOME. THIS WILL ENSURE THAT CLEARANCE TO COMBUSTIBLES IS MAINTAINED WITHIN THE CAVITY.</b>
<b>DO NOT NOTCH THE FRAMING AROUND THE APPLIANCE STAND-OFFS. FAILURE TO MAINTAIN AIR SPACE CLEARANCE MAY CAUSE OVER HEATING AND FIRE. PREVENT CONTACT WITH SAGGING OR LOOSE INSULATION OR FRAMING AND OTHER COMBUSTIBLE MATERIALS. BLOCK OPENING INTO THE CHASE TO PREVENT ENTRY OF BLOWN-IN INSULATION. MAKE SURE INSULATION AND OTHER MATERIALS ARE SECURED.</b>
<b>WHEN CONSTRUCTING THE ENCLOSURE ALLOW FOR FINISHING MATERIAL THICKNESS TO MAINTAIN CLEARANCES. FRAMING OR FINISHING MATERIAL CLOSER THAN THE MINIMUMS LISTED MUST BE CONSTRUCTED ENTIRELY OF NON-COMBUSTIBLE MATERIALS. MATERIALS CONSISTING ENTIRELY OF STEEL, IRON, BRICK, TILE, CONCRETE, SLATE, GLASS OR PLASTERS, OR ANY COMBINATION THEREOF ARE SUITABLE. MATERIALS THAT ARE REPORTED AS PASSING ASTM E 136, STANDARD TEST METHOD FOR BEHAVIOUR OF MATERIALS IN A VERTICAL TUBE FURNACE AT 1382° F (750°C) AND UL763 SHALL BE CONSIDERED NON-COMBUSTIBLE MATERIALS.</b>
<b>MINIMUM CLEARANCE TO COMBUSTIBLES MUST BE MAINTAINED OR A SERIOUS FIRE HAZARD COULD RESULT.</b>
<b>THE APPLIANCE REQUIRES A MINIMUM ENCLOSURE HEIGHT. MEASURE FROM THE APPLIANCE BASE.</b>
<b>IF STEEL STUD FRAMING KITS WITH CEMENT BOARD ARE PROVIDED, OR SPECIFIED IN THE INSTALLATION INSTRUCTIONS. THEY MUST BE INSTALLED.</b>
<b>FINISHING MUST BE DONE USING COMBUSTIBLE MATERIAL PLACED FLUSH WITH THE FRONT FACE OF THE UNIT AND EXTENDING FROM THE TOP OF THE UNIT SUCH AS CEMENT BOARD, CERAMIC TILE, MARBLE, ETC. DO NOT USE WOOD OR DRYWALL. ANY FIRE RATED DRYWALL IS NOT ACCEPTABLE.</b>

71.1B

It is best to frame your appliance after it is positioned and the vent system is installed.

When roughing in the appliance, raise the appliance to accommodate for the thickness of the finished floor materials, i.e. tile, carpeting and hard wood.

**Maintain these minimum clearances to combustibles from appliance and vent surfaces:**

**Combustible Appliance framing:**

- 1/4" (6.4mm) to the sides of appliance
- 8 1/4" (210mm) to the top of appliance

**Combustible Appliance finishing:**

- 0" (0mm) above the appliance opening
- 50" (1270mm) from bottom of appliance to enclosure top
- 3" (76mm) to top of vent pipe\*
- 2" (51mm) to sides and bottom of vent pipe\*
- 0" (0mm) to the sides and top of appliance

Combustible finishing material (ie. Combustible board, brick, stone, tile) must be used to finish around the front of the appliance.

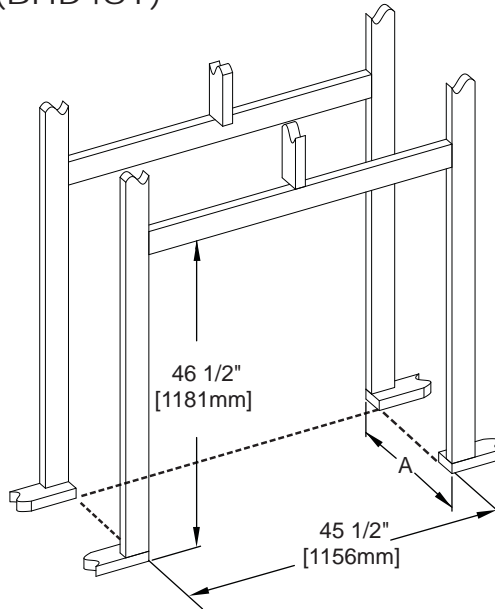
**\*HORIZONTAL VENT SECTIONS:** A minimum clearance of 3" (76mm) to the top and 2" (51mm) to the sides and bottom of the vent pipe on all horizontal runs to combustibles is required, see "MINIMUM CLEARANCE TO COMBUSTIBLE ENCLOSURES" section. Use firestop assembly W010-2985.

**\*VERTICAL VENT SECTIONS:** A minimum of 2" (51mm) all around the vent pipe on all vertical runs to combustibles is required. Use firestop spacer W010-2985.

## 5.1 FRAMING

### 5.1.1 SEE-THRU FRAMING (BHD4ST)

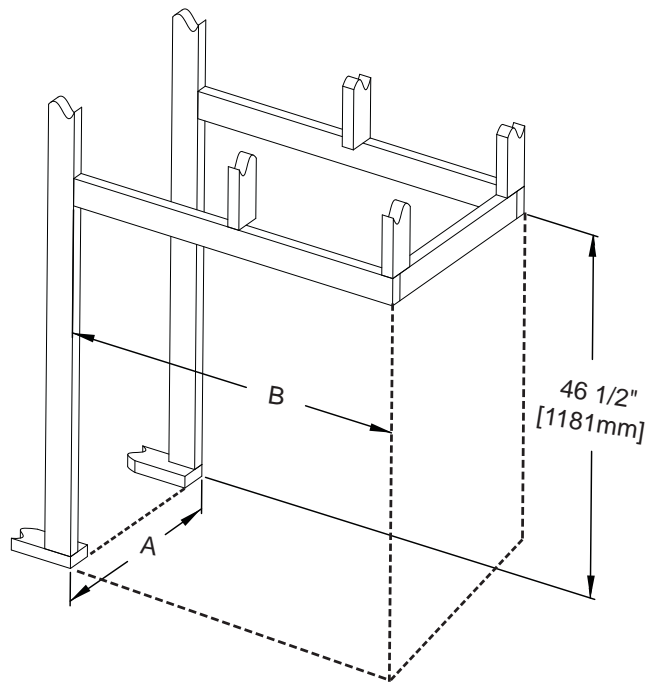
**A: MIN 22 5/8" (575mm)  
MAX 24 1/8" (613mm)**



### 5.1.2 PENINSULA FRAMING (BHD4P)

**A: MIN 22 5/8" (575mm)  
MAX 24 1/8" (613mm)**

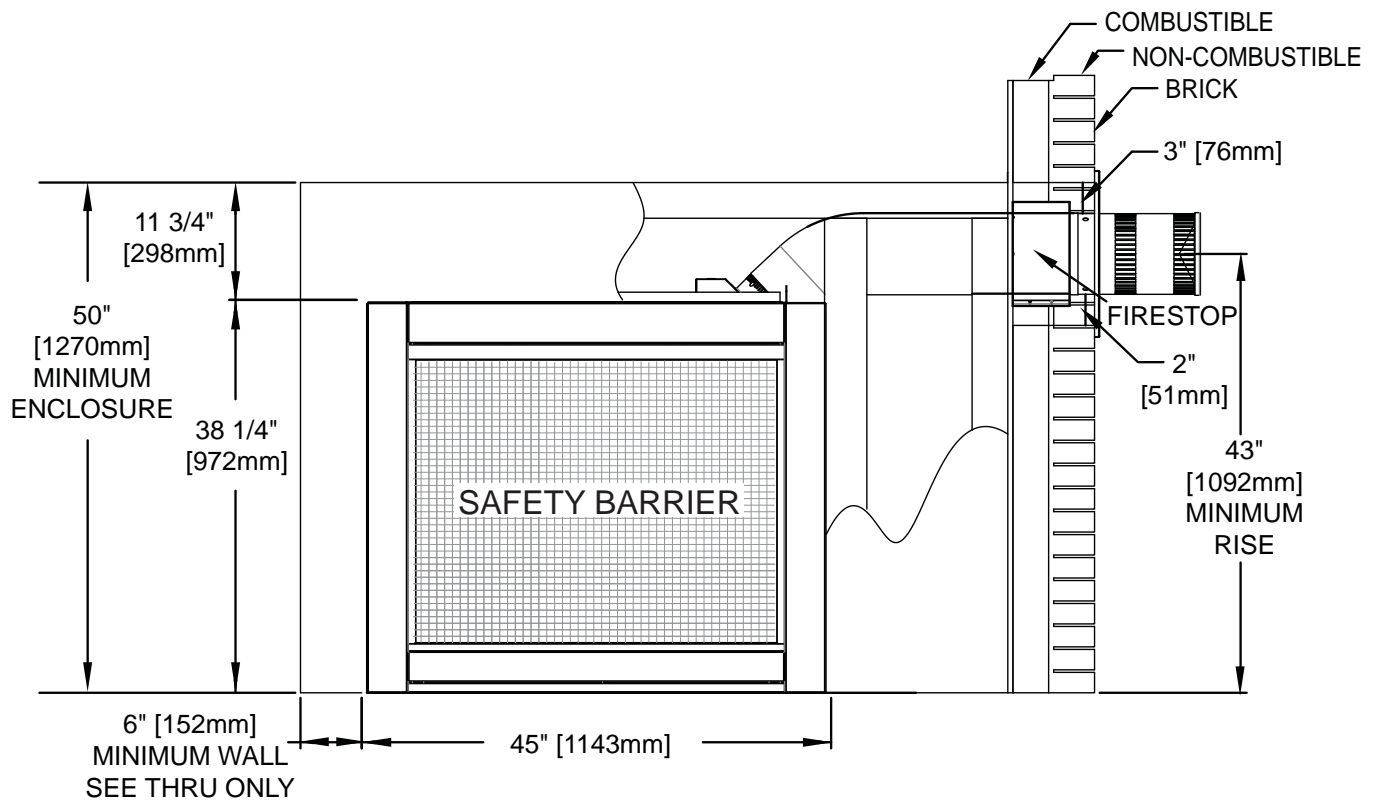
**B: MIN 42 1/2" (1080mm)  
MAX 43 1/2" (1105mm)**



**NOTE:** All framing dimensions are based on the finishing material supports position. Framing may change depending on the finishing material thickness. (See "FINISHING SUPPORT ADJUSTMENT" section).

## 5.2 MINIMUM CLEARANCE TO COMBUSTIBLE ENCLOSURES

**IMPORTANT:** The BHD4 requires a minimum inside enclosure height of 50" (1270mm), measured from the bottom of the appliance. For temperature requirements, this area must be left unobstructed.



\* Within the appliance enclosure a minimum 3" (76mm) clearance between the top of the vent pipe and combustible materials is required. All other clearances within the enclosure, including where the vent pipe exits the enclosure are subject to 2" (51mm) to the sides and bottom and 3" (76mm) to the top for horizontal and 2" (51mm) for vertical.

\*\* See venting section.

**NOTE:** THIS APPLIANCE IS NOT LOAD BEARING.

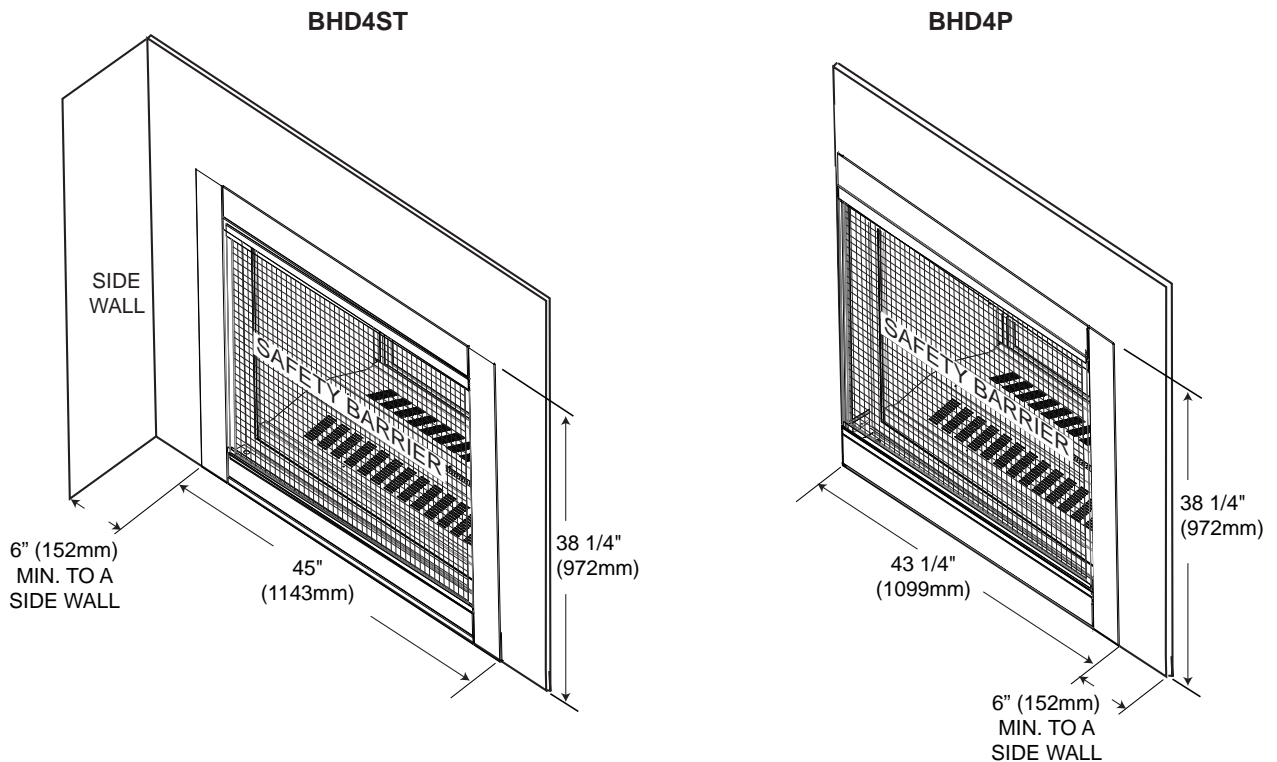
**IMPORTANT:** The firestop assembly provided must be used when the vent pipes pass through any walls or are terminated horizontally.

## 5.3 INSTALLING COMBUSTIBLE BOARD

**WARNING**

THE SURFACE ABOVE THE APPLIANCE GETS VERY HOT. IF PROPER FINISHING MATERIALS ARE NOT USED, CRACKING CAN OCCUR.

EN

**Joint Compound where required**

Joint compounds such as Durabond 90 and tapes that are resilient to heat and cracking should be used when taping and mudding seams.

**Setting tiles and grouting**

We recommend you use tiles with a dry butt joint to be installed using a two-part mortar with an acrylic latex additive, such as Mapei Kerabond/Kerlastic, to allow for slight movement in the normal operation of the appliance.

If grout is used between the tiles, a polymer-based grout, such as Mapei Ultracolor plus, is recommended.

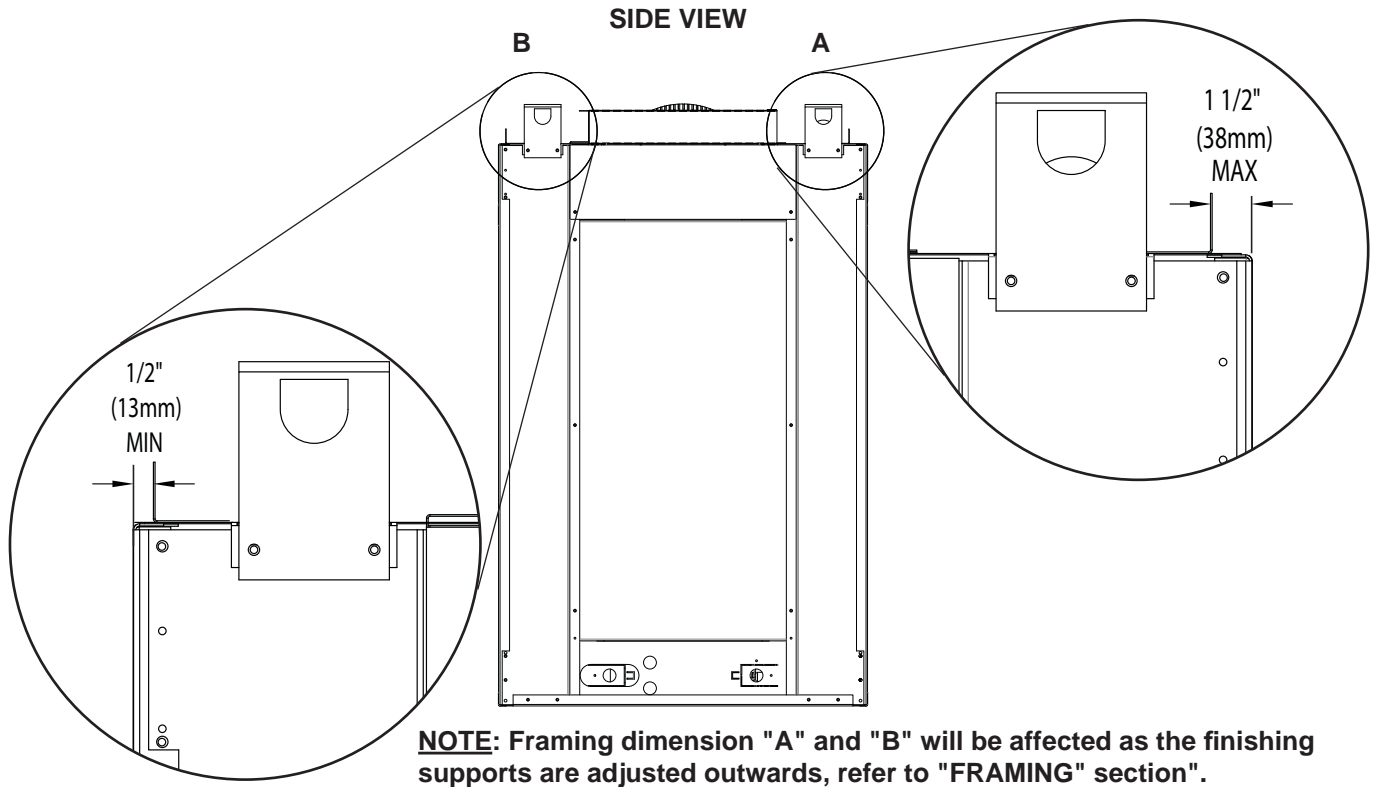
**Primer/Paint**

For a painted surface, use a 100% acrylic latex primer and finish coat. Paints may discolour.

### 5.3.1 FINISHING SUPPORT ADJUSTMENT

Depending on the finishing material we have allowed from 0" (0mm) to 3/4" (19mm) of adjustment after the 1/2" (13mm) combustible board has been installed. Loosen the 8 screws on each finishing support. Adjust the finishing support to the desired position.

**NOTE:** Peninsula models have one end support that can also be adjusted by loosening the two screws.

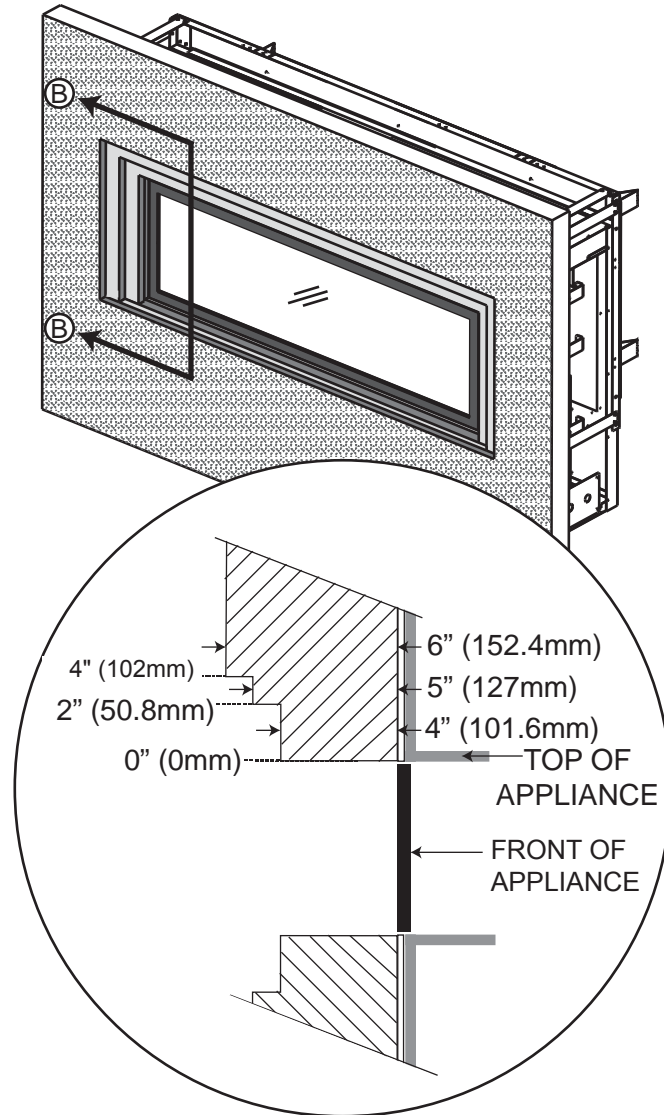


FINISHING MATERIAL	FINISH SUPPORT POSITION	
1/4" (6mm)	1/2" (13mm)	<p>1/2" Combustible Board 1/4" Finishing Material Finish support</p>
1/2" (13mm)	1/4" (6mm)	<p>1/2" Combustible Board 1/2" Finishing Material Finish support</p>
3/4" (19mm)	Flush 0" (0mm)	<p>1/2" Combustible Board 3/4" Finishing Material Finish support</p>

## 5.4 NON-COMBUSTIBLE FACING MATERIAL

**WARNING:** Non-combustible facing material must not project more than 4" (101.6mm) from the face of the door (all four sides). If greater projections are desired, increase the clearance to the sides and top by 2" (50.8mm) for every additional 1" (25.4mm) of projection. If using an optional surround, the same rule applies, starting from the top of the surround. Ensure clearances are maintained for surround removal, as it must lift off the appliance for maintenance.

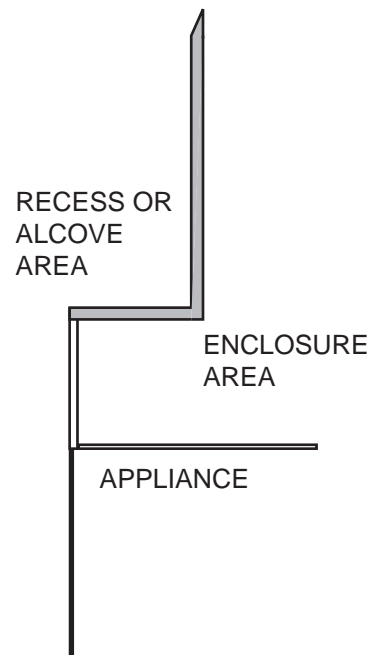
EN



71.6

## 5.5 ALCOVE ENCLOSURE

EN



**NOTE:** Recesses or alcoves above the appliance can be made as deep as desired provided the minimum clearances to combustibles are maintained.

Non-combustible material can be used, provided the minimum clearances to combustible materials are applied.

The minimum enclosure volume must be increased by no less than the volume of the recess. This adjustment can be made by increasing any or all of the height, width and depth of the enclosure.

---

71.2



5.6 MINIMUM MANTEL CLEARANCES

**! WARNING**

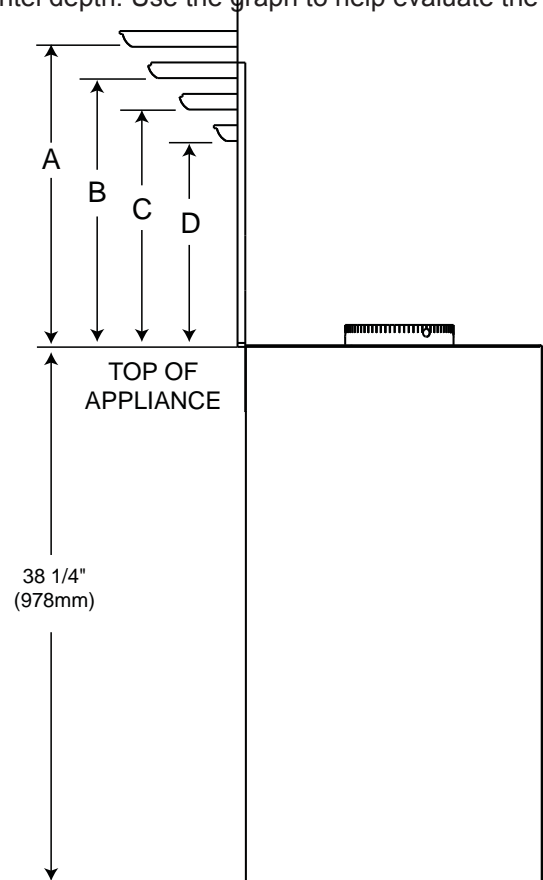
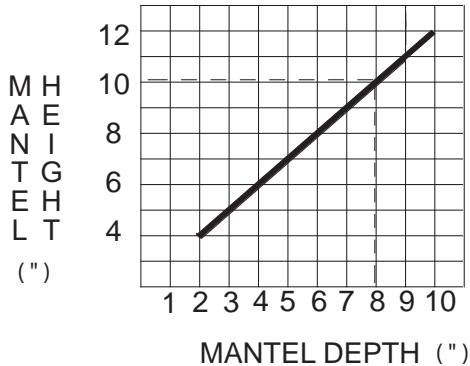
**RISK OF FIRE, MAINTAIN ALL SPECIFIED AIR SPACE CLEARANCES TO COMBUSTIBLES. FAILURE TO COMPLY WITH THESE INSTRUCTIONS MAY CAUSE A FIRE OR CAUSE THE APPLIANCE TO OVERHEAT. ENSURE ALL CLEARANCES (I.E. BACK, SIDE, TOP, VENT, MANTEL, FRONT, ETC.) ARE CLEARLY MAINTAINED.**

**WHEN USING PAINT OR LACQUER TO FINISH THE MANTEL, THE PAINT OR LACQUER MUST BE HEAT RESISTANT TO PREVENT DISCOLOURATION.**

73.1

Combustible mantel clearance can vary according to the mantel depth. Use the graph to help evaluate the clearance needed.

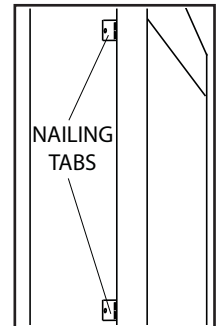
MANTEL DIMENSIONS		
Ref	Height	Depth
D	4" (102mm)	2" (51mm)
C	6" (152mm)	4" (102mm)
B	8" (203mm)	6" (152mm)
A	10" (254mm)	8" (203mm)



5.7 NAILING TAB INSTALLATION


- A. Nailing tabs are provided as part of the frames, as shown. To determine the final location and where to bend the nailing tabs you must first determine the thickness of your finishing material (i.e. drywall). This will determine the dimension from the front edge of the corner post to the nailing tab. Once the nailing tab is in the desired location, secure with a sheet metal screw\*.

\* Additional set screws may be installed.



55.2

## 6.0 FINISHING

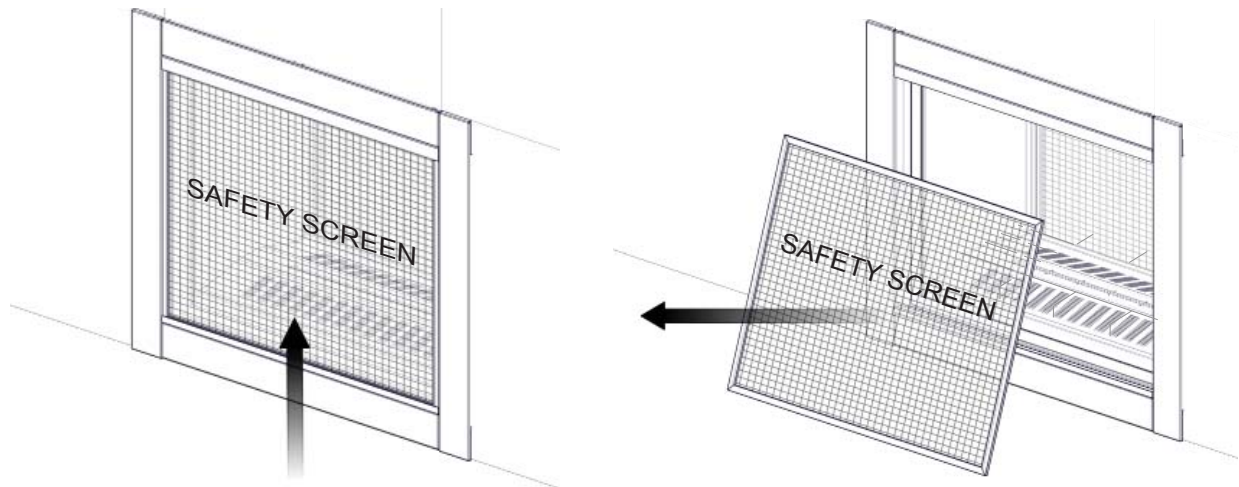
 <b>WARNING</b>
<b>RISK OF FIRE!</b>
<b>NEVER OBSTRUCT THE FRONT OPENING OF THE APPLIANCE.</b>
<b>THE FRONT OF THE APPLIANCE MUST BE FINISHED WITH ANY NON-COMBUSTIBLE MATERIALS SUCH AS BRICK, MARBLE, GRANITE, ETC., PROVIDED THAT THESE MATERIALS DO NOT GO BELOW THE SPECIFIED DIMENSION AS ILLUSTRATED.</b>
<b>DO NOT STRIKE, SLAM OR SCRATCH GLASS. DO NOT OPERATE APPLIANCE WITH GLASS REMOVED, CRACKED, BROKEN OR SCRATCHED.</b>
<b>FACING AND/OR FINISHING MATERIAL MUST NEVER OVERHANG INTO THE APPLIANCE OPENING.</b>
<b>THE GLASS DOOR ASSEMBLY IS DESIGNED TO PIVOT FORWARD WHEN RELIEVING EXCESS PRESSURE THAT MIGHT OCCUR. FINISHING OR OTHER MATERIALS MUST NOT BE LOCATED IN THE OPENING SURROUNDING THE DOOR AS THIS WILL INTERFERE WITH THE DOORS ABILITY TO RELIEVE THE PRESSURE.</b>

72.6

### 6.1 SIDE SAFETY SCREEN REMOVAL / INSTALLATION

**A barrier designed to reduce the risk of burns from the hot viewing glass is provided with the appliance and shall be installed.**

Before the glass door can be removed, the safety screen must be removed. Lift the safety screen up and pull it out of the bottom retainer. Pull the safety screen down and out of the top retainer.

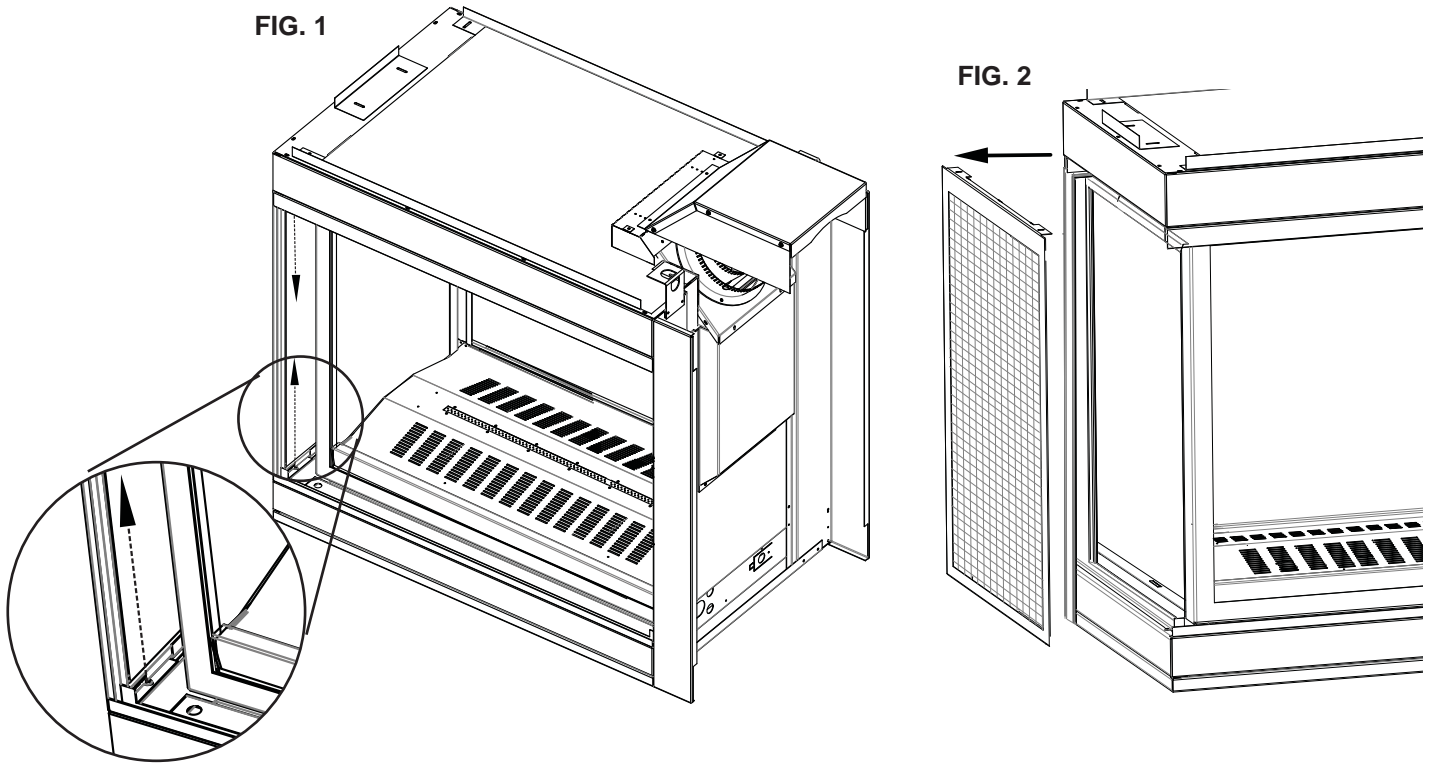


Reverse these steps to re-install the safety screen. Ensure it is installed correctly.

## 6.2 END SAFETY SCREEN REMOVAL / INSTALLATION (BHD4P ONLY)

**NOTE:** A side screen must be removed prior to end screen removal, see "SIDE SCREEN REMOVAL" section.

- A. Remove the 4 securing screws from the top and bottom of the end screen retainer, refer to Figure 1.
- B. Pull the screen forward and out from the unit, refer to Figure 2.





## 6.3 DOOR REMOVAL / INSTALLATION

## ! WARNING

**GLASS MAY BE HOT, DO NOT TOUCH GLASS UNTIL COOLED.**

**THE DOOR LATCHES ARE PART OF A SAFETY SYSTEM AND MUST BE PROPERLY ENGAGED. DO NOT OPERATE THE APPLIANCE WITH LATCHES DISENGAGED.**

**FACING AND/OR FINISHING MATERIALS MUST NOT INTERFERE WITH AIR FLOW THROUGH AIR OPENINGS, LOUVRES OPENINGS, OPERATION OF LOUVRES OR DOORS OR ACCESS FOR SERVICE. OBSERVE ALL CLEARANCES WHEN APPLYING COMBUSTIBLE MATERIALS.**

**BEFORE DOOR IS REMOVED TURN THE APPLIANCE OFF AND WAIT UNTIL APPLIANCE IS COOL TO THE TOUCH. DOORS ARE HEAVY AND FRAGILE SO HANDLE WITH CARE.**

75.1

- A. Remove screen, see "SCREEN REMOVAL" section.
- B. Loosen but do not remove the 3 securing screws from the top retainer and pull retainer away from the unit, refer to Figure 1.
- C. There are 2 latches on the top of each door, refer to Figure 2.
- D. Using the tool provided, pull the latch forward and upwards, out of the slot in the door, as shown. Ensure to keep one hand on the door at all times, to prevent it from falling on the floor.
- E. When both latches have been released tilt the door forward and out of the bottom door retainer.
- F. Reverse this process to install the door.

FIG. 1

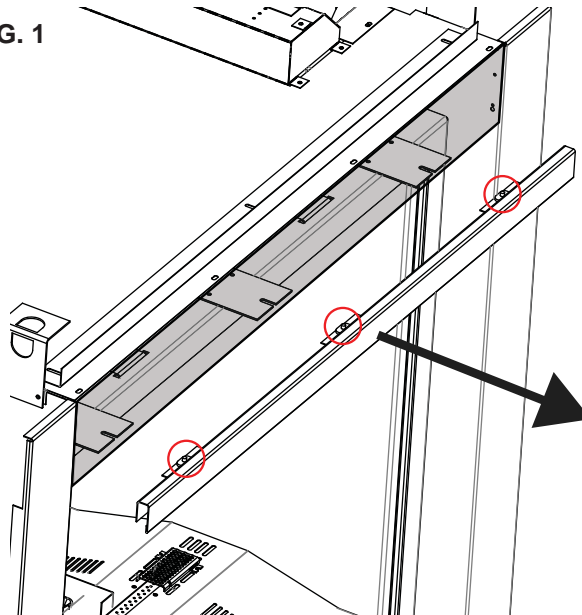
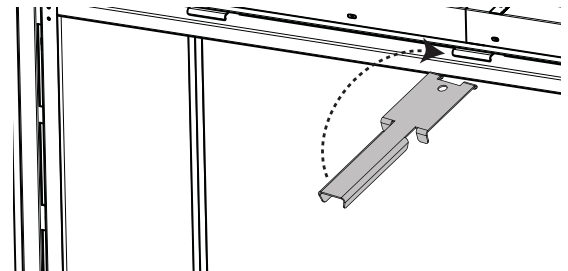
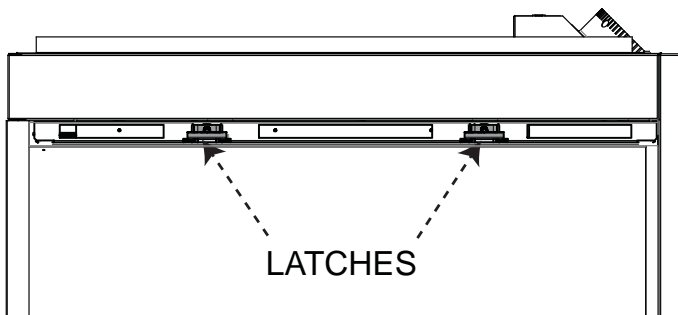


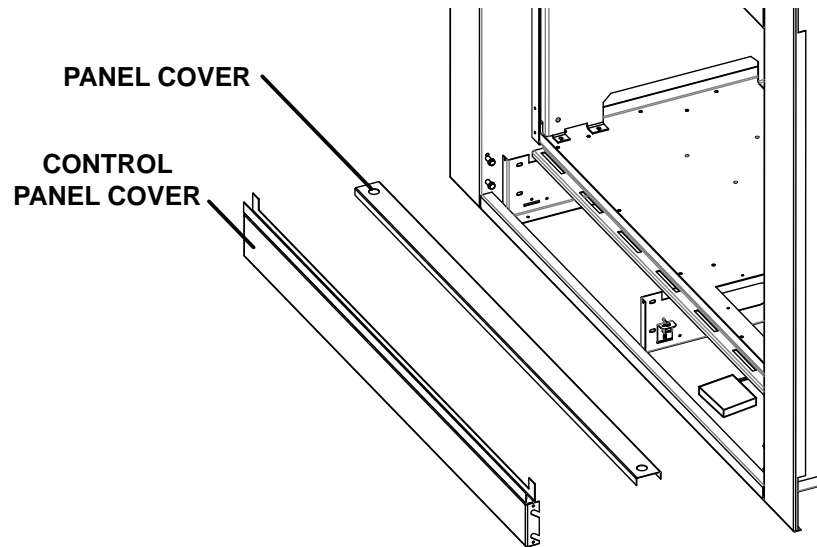
FIG. 2



**IMPORTANT:** Once latches are engaged, test that the door is secure and will not fall forward before letting go.

## 6.4 CONTROL PANEL REMOVAL

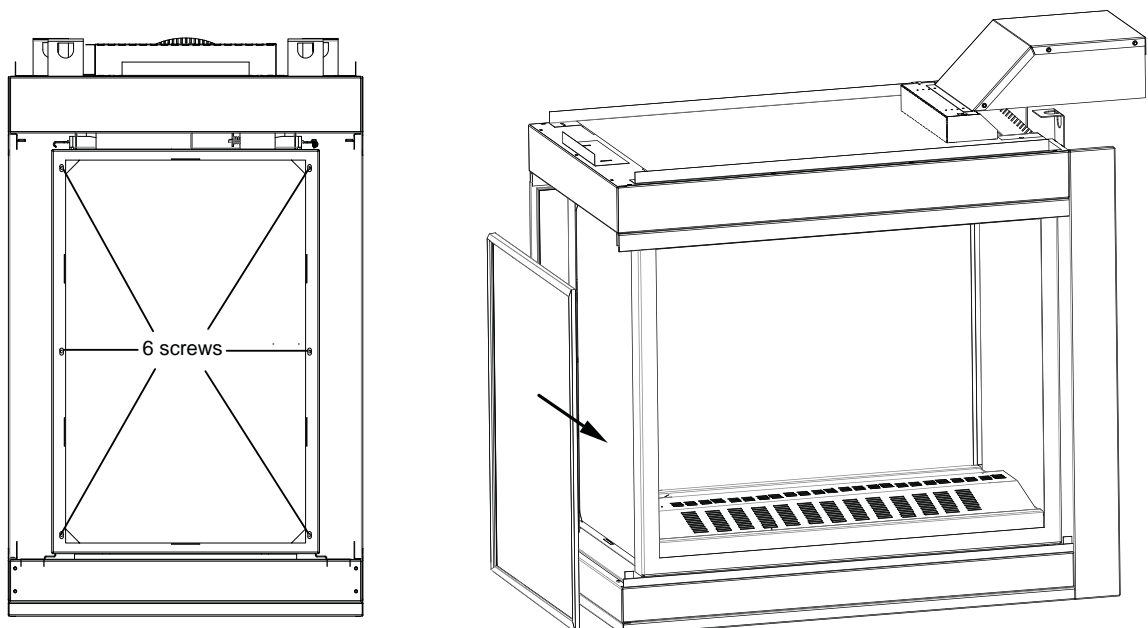
- A. Remove screen, see "SIDE SCREEN REMOVAL" section.
- B. Remove the panel cover using the two finer holes, lift it up and away from the appliance, as shown below.
- C. Remove the control panel cover by lifting it up and off of the four shoulder screws, as shown below.



## 6.5 END DOOR REMOVAL / INSTALLATION (BHD4P ONLY)

**NOTE:** Screens must be removed prior to the end door removal, refer to "SIDE AND END SCREEN REMOVAL / INSTALLATION" section.

- A. Remove the main doors from the appliance, refer to the "DOOR REMOVAL/INSTALLATION" section.
- B. Remove the 6 screws securing the end door in place, as shown below. **Ensure to keep one hand on the door, from the inside of the appliance, at all times to prevent it from falling.**
- C. Tilt the door from the top downwards and carefully remove it from the appliance.
- D. To install the end door, reverse these steps.





## 6.6 HEARTH PAD INSTALLATION

**NOTE:** The individual hearth pads can be easily identified by the numbers cast on the underside of each pad.

**NOTE:** The pilot is located on the right end in these instructions.

- A. Remove the main doors from the appliance, refer to the "DOOR REMOVAL/INSTALLATION" section.
- B. Place the #3 hearth pad on the pilot side of the burner, as shown in Figure B.
- C. Place the #1A hearth pad on the right side and the #1 hearth pad on the left side of appliance, as shown in Figure C.
- D. Place the two #2 hearth pads on the right and left sides, as shown in Figure D.
- E. Place the #4 hearth pad on the left end, as shown in Figure E.



## 6.7 LOG PLACEMENT

### ! WARNING

FAILURE TO POSITION THE LOGS IN ACCORDANCE WITH THESE DIAGRAMS OR FAILURE TO USE ONLY LOGS SPECIFICALLY APPROVED WITH THIS APPLIANCE MAY RESULT IN PROPERTY DAMAGE OR PERSONAL INJURY.

LOGS MUST BE PLACED IN THEIR EXACT LOCATION IN THE APPLIANCE. DO NOT MODIFY THE PROPER LOG POSITIONS, SINCE APPLIANCE MAY NOT FUNCTION PROPERLY AND DELAYED IGNITION MAY OCCUR.

THE LOGS ARE FRAGILE AND SHOULD BE HANDLED WITH CARE.

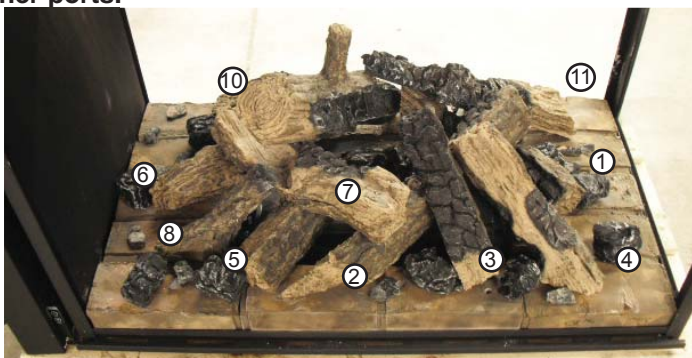
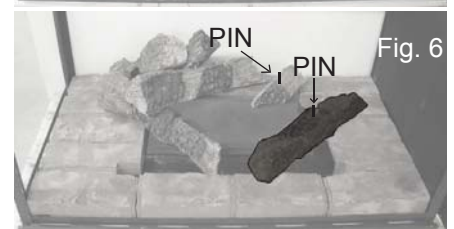
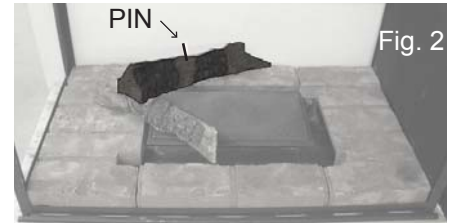
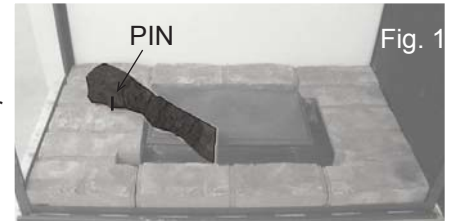
76.1A

**NOTE:** The individual logs can be easily identified by the numbers cast on the underside of each log.

Phazer™ logs and glowing embers exclusive to Wolf Steel Ltd., provide a unique and realistic glowing effect that is different in every installation. During the initial use of the appliance, log colours may vary. During the initial use of the appliance the colours will become more uniform as colour pigments burn in during the heat activated curing process.

**NOTE:** The pilot is located on the right end in these instructions.

1. Remove the doors, refer to the "DOOR REMOVAL / INSTALLATION" section for removal instructions.
2. Place a pin into the bottom of log #1 lining it up with the hole in the hearth pad. Then place onto the screw and spacer located in the corner of the burner, on the right side. Place a pin into the center of log #1, as shown in Figure 1.
3. Place log #2 onto the pin located in the log #1, it should rest in the middle of the left side hearth pad as shown in Figure 2. Place one pin into the middle of log #2, as shown in Figure 2.
4. Place log #3 onto the pin located in log #2 and let it rest on log #2, as shown in Figure 3 and in the left side view below. Place another pin into log #2, as shown in Figure 3.
5. Place log #4 onto the pin located in log #2 and let it rest on log #2, as shown in Figure 4 and in the left side view. Place one pin into the left side hearth pad, as shown in Figure 4.
6. Place log #5 onto the pin located in the left side hearth pad and let it rest on the burner, as shown in Figure 5. **NOTE:** Ensure log #5 does not cover any burner ports.
7. Place log #6 onto the pin located on the right side corner of the burner, then place one pin into middle of the log #6 and log #5, as shown in Figure 6. **NOTE:** Ensure log #6 does not cover any burner ports.



LEFT SIDE VIEW

8. Place log #7 onto the pin located in log #6 and onto the pin in log #5, as shown in Figure 7.
9. Place log #8 on the hearth pad and let it rest against the notch in the side of log #7, as shown in Figure 8. **HINT: The best view of log #8 is shown in the left side view below.**
10. Place log #9 onto the pin located in log #6 and let it rest on the right side corner hearth pad and then place one pin into log #7, as shown in Figure 9.
11. Place log #10 onto the pin located in log #7 and let it rest in the middle of the right side hearth pad, as shown in Figure 10. Place one pin into log #1, as shown in Figure 10.
12. Place log #11 onto the pin located in log #1 and let it rest on the right end hearth pad, as shown in Figure 11.
13. Place charcoal lump #12 onto the two pins located in the center of the burner, as shown in Figure 12.
14. Tear the ember material into small thin pieces and spread evenly on top of the burner. Ember material will only glow when exposed to direct flame.
15. Sprinkle the charcoal embers around the hearth then place the charcoal lumps on top of the charcoal embers, as shown below.



Fig. 7

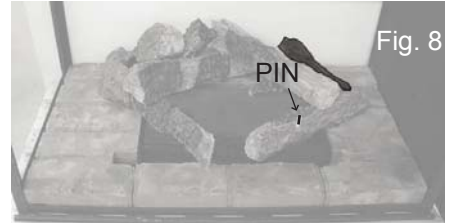


Fig. 8

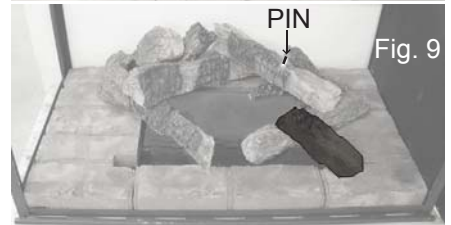


Fig. 9

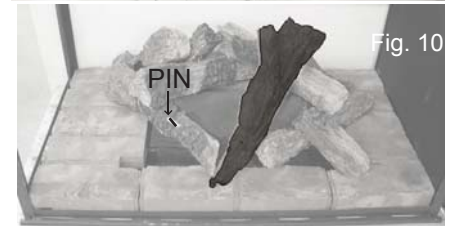


Fig. 10

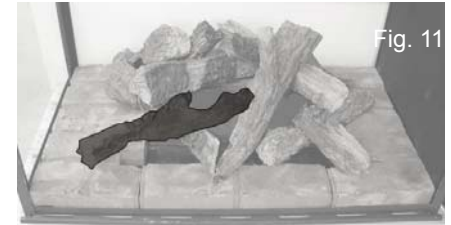
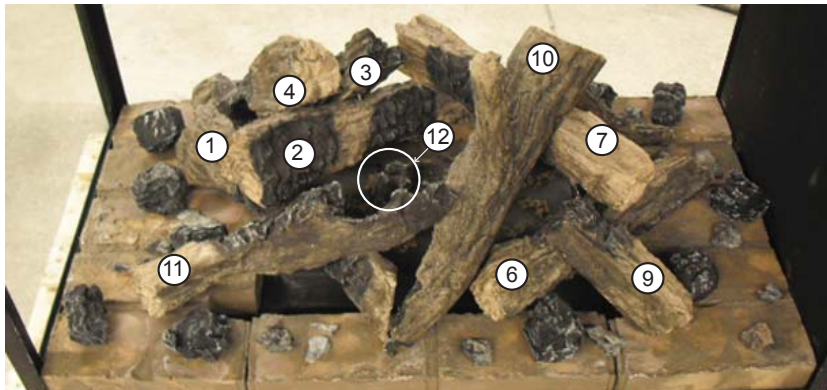


Fig. 11

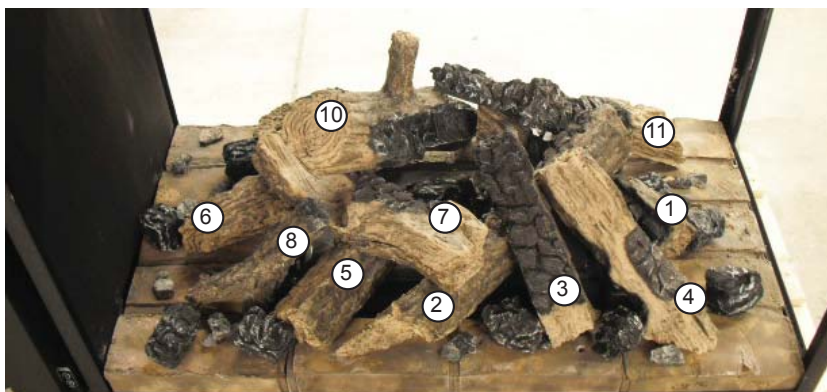


Fig. 12

**NOTE: Do not cover the pilot or burner ports with media or embers. Do not overfill.**



RIGHT SIDE VIEW



LEFT SIDE VIEW



## 6.8 GLASS MEDIA INSTALLATION

**! WARNING**

CLEAN THE GLASS MEDIA PRIOR TO INSTALLATION. BEFORE APPLYING THE CLEANED GLASS, ENSURE THAT IT IS DRY.

DO NOT CHANGE OR SUBSTITUTE THE GLASS MEDIA MATERIAL PROVIDED WITH THIS APPLIANCE. IF REPLACING, USE ONLY THE REPLACEMENT GLASS MEDIA AVAILABLE FROM YOUR AUTHORIZED DEALER / DISTRIBUTOR.

DO NOT PLACE ANY MEDIA (GLASS OR VERMICULITE) IN OR AROUND THE PILOT OPENING. THIS WILL INTERFERE WITH THE PILOT OPERATION

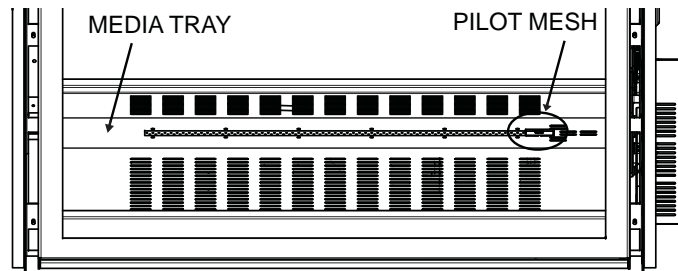
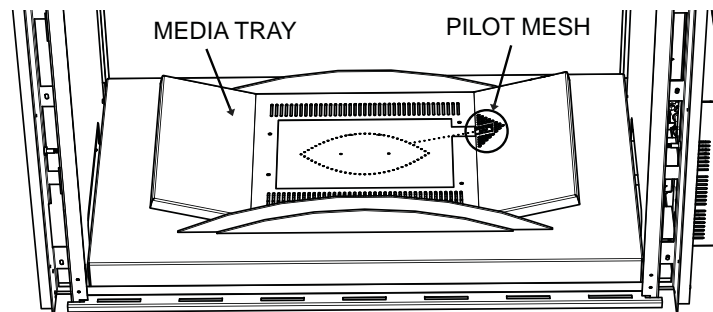
Evenly spread the glass media onto the media tray, ensuring no glass media falls into the pilot opening. If this happens, insert a clean bag into your vacuum cleaner and vacuum out the glass media. Replacement glass can be purchased from your local authorized dealer / distributor.

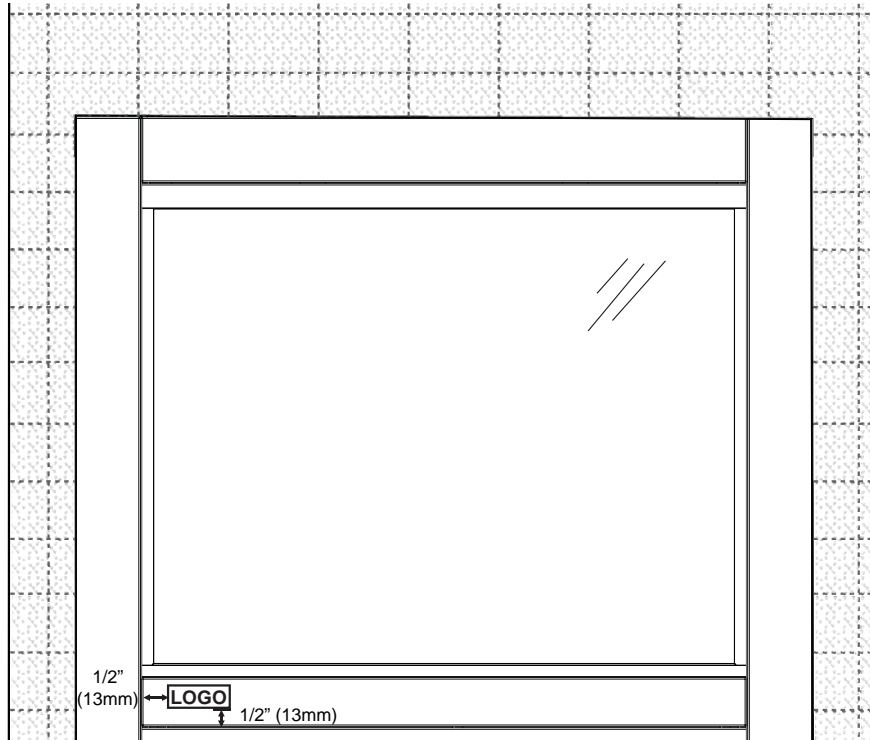
**CLEANING GLASS MEDIA**

Glass media may have a fine oil residue that needs to be cleaned prior to installation. Clean the glass with mild dish soap, drain, rinse thoroughly and dry before placing around the burner.

74.2B

**NOTE:** Glass media may cover the entire media tray. Care should be taken around the pilot mesh. We recommend that no media should be placed directly on the pilot mesh.

**BHD4STG AND BHD4PG ONLY****BHD4STFC AND BHD4FC ONLY**



## 7.0 ELECTRICAL CONNECTION

### **! WARNING**

**DO NOT USE THIS APPLIANCE IF ANY PART HAS BEEN UNDER WATER. CALL A QUALIFIED SERVICE TECHNICIAN IMMEDIATELY TO HAVE THE APPLIANCE INSPECTED FOR DAMAGE TO THE ELECTRICAL CIRCUIT.**

**RISK OF ELECTRICAL SHOCK OR EXPLOSION. DO NOT WIRE 110V TO THE VALVE OR TO THE APPLIANCE WALL SWITCH. INCORRECT WIRING WILL DAMAGE CONTROLS.**

**ALL WIRING SHOULD BE DONE BY A QUALIFIED ELECTRICIAN AND SHALL BE IN COMPLIANCE WITH LOCAL CODES. IN THE ABSENCE OF LOCAL CODES, USE THE CURRENT CSA22.1 CANADIAN ELECTRIC CODE IN CANADA OR THE CURRENT NATIONAL ELECTRIC CODE ANSI/NFPA NO. 70 IN THE UNITED STATES.**

**ALWAYS LIGHT THE PILOT WHETHER FOR THE FIRST TIME OR IF THE GAS SUPPLY HAS RAN OUT, WITH THE GLASS DOOR OPENED OR REMOVED.**

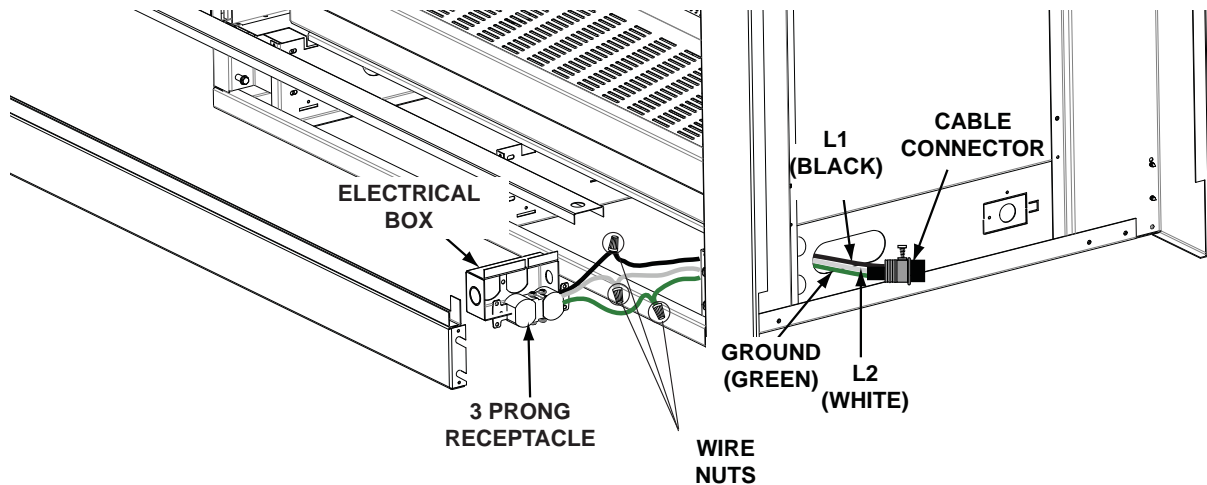
69.2

### 7.1 HARD WIRING CONNECTION

It is necessary to hard wire this appliance.

Permanently framing the appliance with an enclosure, requires the appliance junction box to be hard wired. This appliance must be electrically connected and grounded in accordance with local codes. In the absence of local codes, use the current CSA C22.1 Canadian electrical code in Canada or the ANSI/NFPA 70-1996 national electrical code in the United States.

## 7.2 RECEPTACLE WIRING DIAGRAM



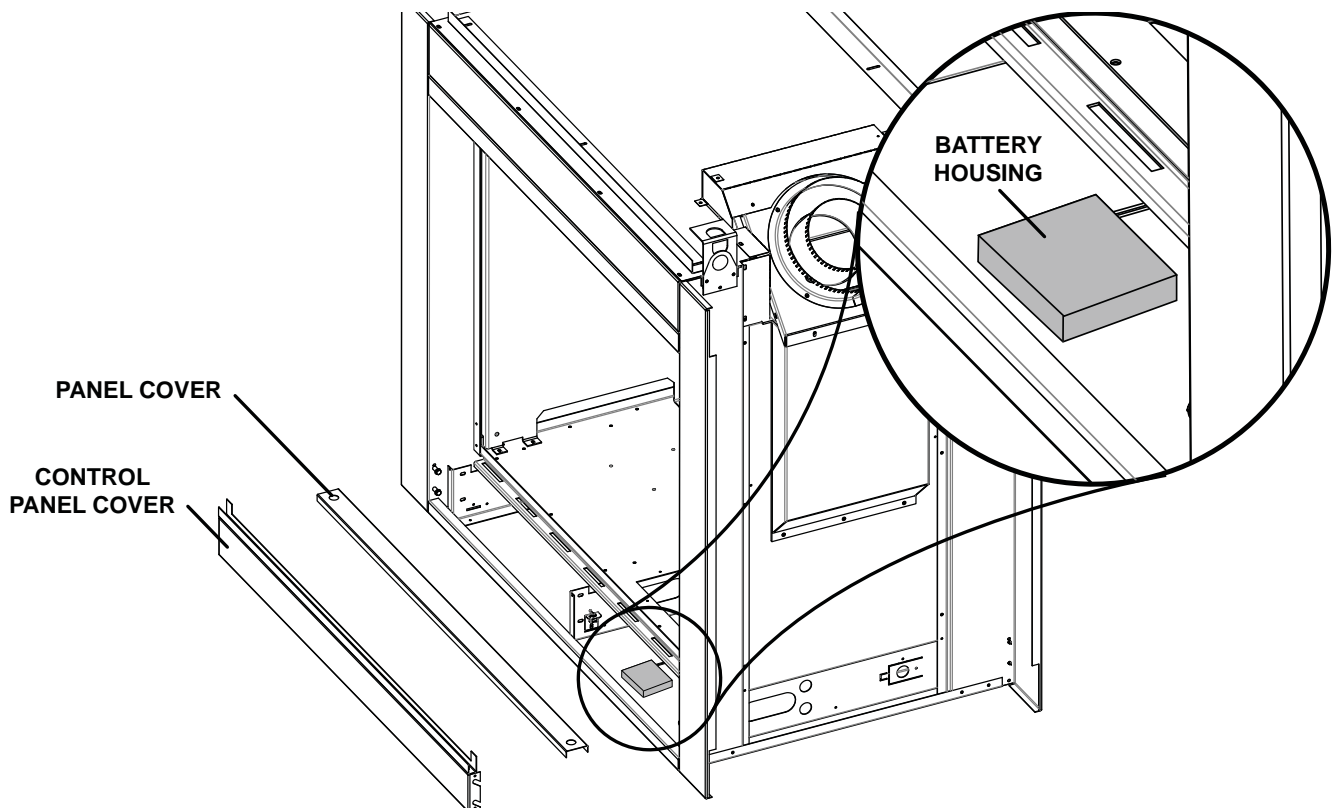
**NOTE:** Ensure that the transformer is plugged into the receptacle.



## 7.3 BATTERY BACK-UP INSTALLATION

- A. In case of a power outage locate your battery housing (located in the control compartment).
- B. Install the 4 "AA" batteries, if not already installed.
- C. Connect the battery housing to the battery connector located in the control compartment of the appliance (refer to the illustration below).

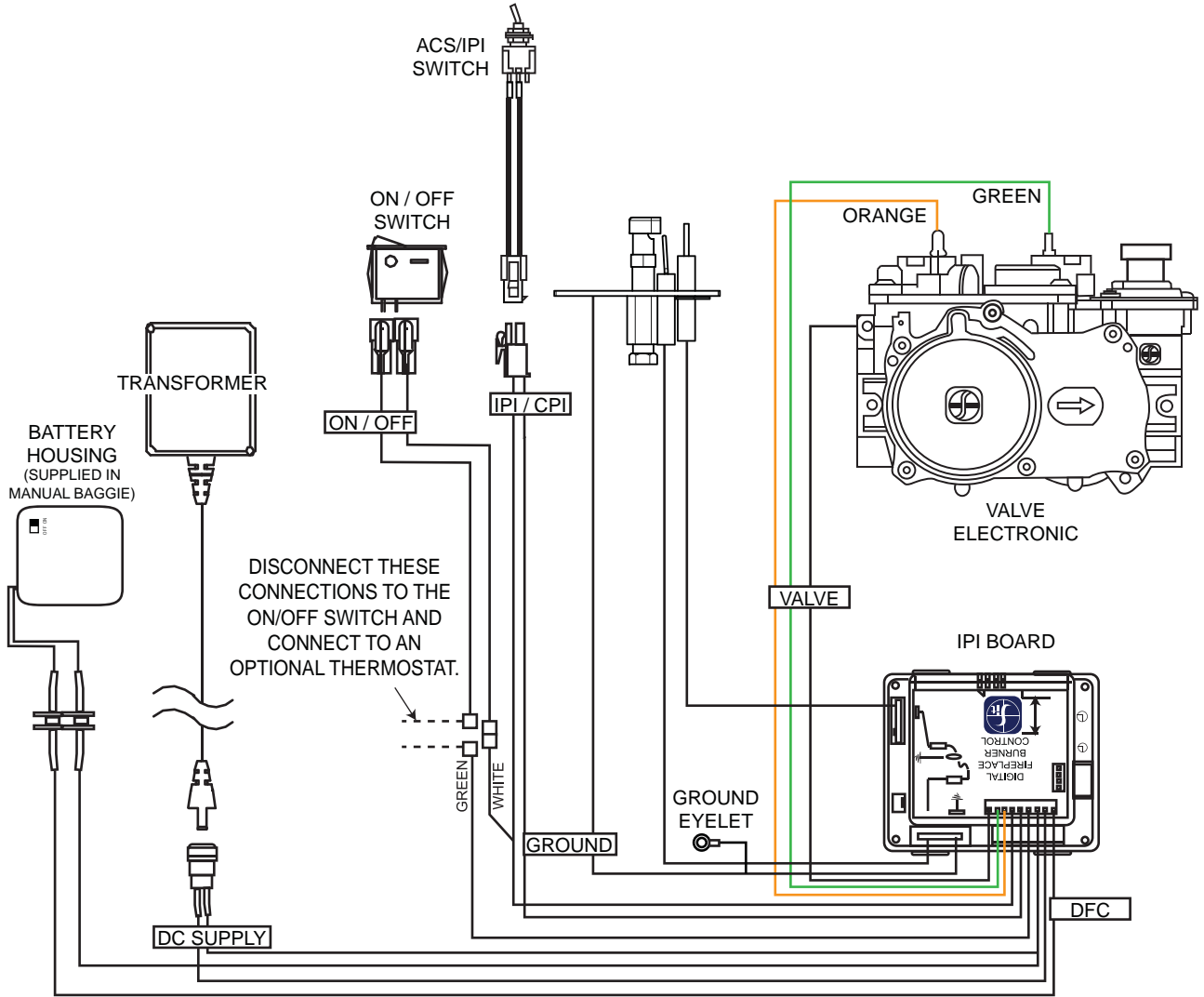
**NOTE:** It is recommended that you change the battery at the start of the heating season.



**! WARNING**

**DO NOT WIRE 110 VOLTS TO THE VALVE OR WALL SWITCH.**

This appliance comes equipped with a battery back-up. If this back-up is used, install 4AA batteries (not supplied) into the holder and connect to the wire harness.



69.7

## 8.0 OPERATING INSTRUCTIONS

When lit for the first time, the appliance will emit a slight odour for a few hours. This is a normal temporary condition caused by the “burn-in” of internal paints and lubricants used in the manufacturing process and will not occur again. Simply open a window to sufficiently ventilate the room. After extended periods of non-operation such as following a vacation or a warm weather season, the appliance may emit a slight odour for a few hours. This is caused by dust particles in the heat exchanger burning off. Open a window to sufficiently ventilate the room.

### 8.1 OPERATING INSTRUCTIONS - FOR YOUR SAFETY READ BEFORE OPERATING

**OPERATING INSTRUCTIONS / INSTRUCTIONS D'OPERATION**  
**FOR YOUR SAFETY READ BEFORE OPERATING / POUR VOTRE SÉCURITÉ LIRE AVANT DE FAIRE FONCTIONNER**

**WARNING:** DO NOT TURN ON IF CHILDREN OR OTHER AT RISK INDIVIDUALS ARE NEAR THE FIREPLACE. IF YOU DO NOT FOLLOW THESE INSTRUCTIONS EXACTLY, A FIRE OR EXPLOSION MAY RESULT CAUSING PROPERTY DAMAGE, PERSONAL INJURY OR LOSS OF LIFE. INITIAL LIGHTING OF THE PILOT AND MAIN BURNERS MUST BE DONE WITH THE GLASS DOOR OFF. DO NOT CONNECT VALVE OR WALL SWITCH TO ELECTRICITY. SEE INSTALLATION INSTRUCTIONS.

**ATTENTION:** NE PAS ALLUMER SI DES ENFANTS OU D'AUTRES INDIVIDUS À RISQUE SONT À PROXIMITÉ DU FOYER. QUICONQUE NE RESPECTE PAS À LA LETTRE LES INSTRUCTIONS DANS LA PRÉSENTE NOTICE RISQUE DE DÉCLANCHER UN INCENDIE OU UN EXPLOSION ENTRAÎNANT DES DOMMAGES, DES BLESSURES OU LA MORT. L'ALLUMAGE INITIAL DE LA VEILLEUSE ET DU BRÛLEUR PRINCIPAL DOIT SE FAIRE AVEC LA PORTE VITRÉE ENLEVÉE. NE RACCORDEZ PAS LA SOUPAPE OU L'INTERRUPTEUR MURAL A L'ÉLECTRICITÉ. CONSULTEZ LES INSTRUCTIONS D'INSTALLATION.

A. THIS FIREPLACE IS EQUIPPED WITH AN IGNITION DEVICE WHICH AUTOMATICALLY LIGHTS THE PILOT. DO NOT TRY TO LIGHT BY HAND.  
 B. BEFORE OPERATING SMELL ALL AROUND THE FIREPLACE AREA FOR GAS AND NEXT TO THE FLOOR BECAUSE SOME GAS IS HEAVIER THAN AIR AND WILL SETTLE ON THE FLOOR.

**WHAT TO DO IF YOU SMELL GAS:**

- TURN OFF ALL GAS TO THE FIREPLACE.
- OPEN WINDOWS.
- DO NOT TRY TO LIGHT ANY APPLIANCE.
- DO NOT TOUCH ANY ELECTRIC SWITCH; DO NOT USE ANY PHONE IN YOUR BUILDING.
- IMMEDIATELY CALL YOUR GAS SUPPLIER FROM A NEIGHBOUR'S PHONE. FOLLOW THE GAS SUPPLIER'S INSTRUCTIONS.
- IF YOU CANNOT REACH YOUR GAS SUPPLIER, CALL THE FIRE DEPARTMENT.

C. DO NOT TRY TO REPAIR ANY PART OF THIS ASSEMBLY. CALL A QUALIFIED SERVICE TECHNICIAN. FORCE OR ATTEMPTED REPAIR MAY RESULT IN A FIRE OR EXPLOSION.  
 D. DO NOT USE THIS FIREPLACE IF ANY PART HAS BEEN UNDER WATER. IMMEDIATELY CALL A QUALIFIED SERVICE TECHNICIAN TO INSPECT THE FIREPLACE AND REPLACE ANY PART OF THE CONTROL SYSTEM AND ANY GAS CONTROL WHICH HAS BEEN UNDER WATER.

A. CET APPAREIL EST MUNI D'UN DISPOSITIF D'ALLUMAGE QUI ALLUME AUTOMATIQUEMENT LA VEILLEUSE. NE TENTEZ PAS D'ALLUMER LA VEILLEUSE MANUELLEMENT.  
 B. AVANT DE FAIRE FONCTIONNER, RENIFLEZ TOUT AUTOUR DE L'APPAREIL POUR DÉCELER UN ODEUR DE GAZ. RENIFLEZ PRÈS DU PLANCHER, CAR CERTAINS GAZ SONT PLUS LOURDS QUE L'AIR ET PEUVENT S'ACCUMULER AU NIVEAU DU SOL.

**QUE FAIRE SI VOUS DÉTECTEZ UNE ODEUR DE GAZ:**

- COUPEZ L'ALIMENTATION DE GAZ PRINCIPALE.
- OUVREZ LES FENÊTRES.
- NE PAS TENTER D'ALLUMER D'APPAREIL.
- NE TOUCHEZ À AUCUN INTERRUPTEUR, NE PAS VOUS SERVIR DES TÉLÉPHONES SE TROUVANT DANS LE BÂTIMENT.
- APPELÉZ IMMÉDIATEMENT VOTRE FOURNISSEUR DE GAZ DEPUIS UN VOISIN. SUIVÉZ LES INSTRUCTIONS DU FOURNISSEUR.
- SI VOUS NE POUVEZ REJOINDRE LE FOURNISSEUR APPELÉZ LE SERVICE DES INCENDIES.

C. N'ESSAYEZ PAS DE RÉPARER AUCUNE PIÈCE DE CET ASSEMBLAGE. APPELÉZ UN TECHNICIEN QUALIFIÉ. FORCER OU TENTER DE RÉPARER L'ASSEMBLAGE POURRAIT CAUSER UN FEU OU UNE EXPLOSION.  
 D. N'UTILISEZ PAS CET APPAREIL S'IL A ÉTÉ PLONGÉ DANS L'EAU, MÊME PARTIELLEMENT. FAITES INSPECTER L'APPAREIL PAR UN TECHNICIEN QUALIFIÉ ET REMPLACEZ TOUTE PARTIE DU SYSTÈME DE CONTRÔLE ET TOUTE COMMANDE QUI ONT ÉTÉ PLONGÉS DANS L'EAU.

W385-0460 / D

### 8.2 LIGHTING INSTRUCTIONS

**LIGHTING INSTRUCTIONS / INSTRUCTIONS D'ALLUMAGE**

1. **STOP!** READ ALL INFORMATION OF OPERATING AND LIGHTING INSTRUCTIONS BEFORE PROCEEDING.
2. TURN OFF ELECTRIC POWER TO THE FIREPLACE.
3. THIS FIREPLACE IS EQUIPPED WITH AN IGNITION DEVICE WHICH AUTOMATICALLY LIGHTS THE PILOT. DO NOT TRY TO LIGHT THE PILOT BY HAND.
4. OPEN THE GLASS DOOR.
5. TURN MANUAL SHUTOFF VALVE CLOCKWISE TO OFF.
6. WAIT FIVE (5) MINUTES TO CLEAR OUT ANY GAS. IF YOU SMELL GAS INCLUDING NEAR THE FLOOR, **STOP!** FOLLOW "B" OF THE OPERATING INSTRUCTIONS. IF YOU DON'T SMELL GAS GO TO THE NEXT STEP.
7. TURN MANUAL SHUTOFF VALVE COUNTER-CLOCKWISE TO ON.
8. CLOSE THE GLASS DOOR.
9. TURN ON ALL ELECTRIC POWER TO THE FIREPLACE.
10. TURN ON MAIN BURNER.

1. **ARRÊTEZ!** LISEZ TOUTES LES INSTRUCTIONS DE FONCTIONNEMENT ET D'ALLUMAGE AVANT DE CONTINUER.
2. COUPEZ L'ALIMENTATION ÉLECTRIQUE À L'APPAREIL.
3. CET APPAREIL EST MUNI D'UN DISPOSITIF D'ALLUMAGE QUI ALLUME LA VEILLEUSE AUTOMATIQUEMENT, N'ESSAYEZ PAS D'ALLUMER LA VEILLEUSE MANUELLEMENT.
4. OUVREZ LA PORTE VITRÉE.
5. TOURNEZ LA SOUPAPE DE SECTIONNEMENT MANUELLE VERS LA DROITE À "OFF".
6. ATTENDEZ CINQ (5) MINUTES POUR QUE LE GAZ PUISSE S'ÉCHAPPER. SI VOUS DÉTECTEZ UNE ODEUR DE GAZ, **ARRÊTEZ!** SUIVÉZ « B » DANS LES INSTRUCTIONS DE FONCTIONNEMENT. S'IL N'Y A PAS D'ODEUR DE GAZ, PASSEZ À L'ÉTAPE SUIVANTE.
7. TOURNEZ LA SOUPAPE DE SECTIONNEMENT MANUELLE VERS LA GAUCHE À "ON".
8. FERMEZ LA PORTE VITRÉE.
9. RÉTABLISSEZ L'ALIMENTATION ÉLECTRIQUE AU FOYER.
10. ALLUMEZ LE BRÛLEUR PRINCIPAL.

**TO TURN OFF GAS / INSTRUCTIONS POUR COUPER LE GAZ**

1. TURN OFF ALL ELECTRICAL POWER TO THE FIREPLACE IF SERVICE IS TO BE PERFORMED.
2. TURN MANUAL SHUTOFF VALVE CLOCKWISE TO OFF. DO NOT FORCE.

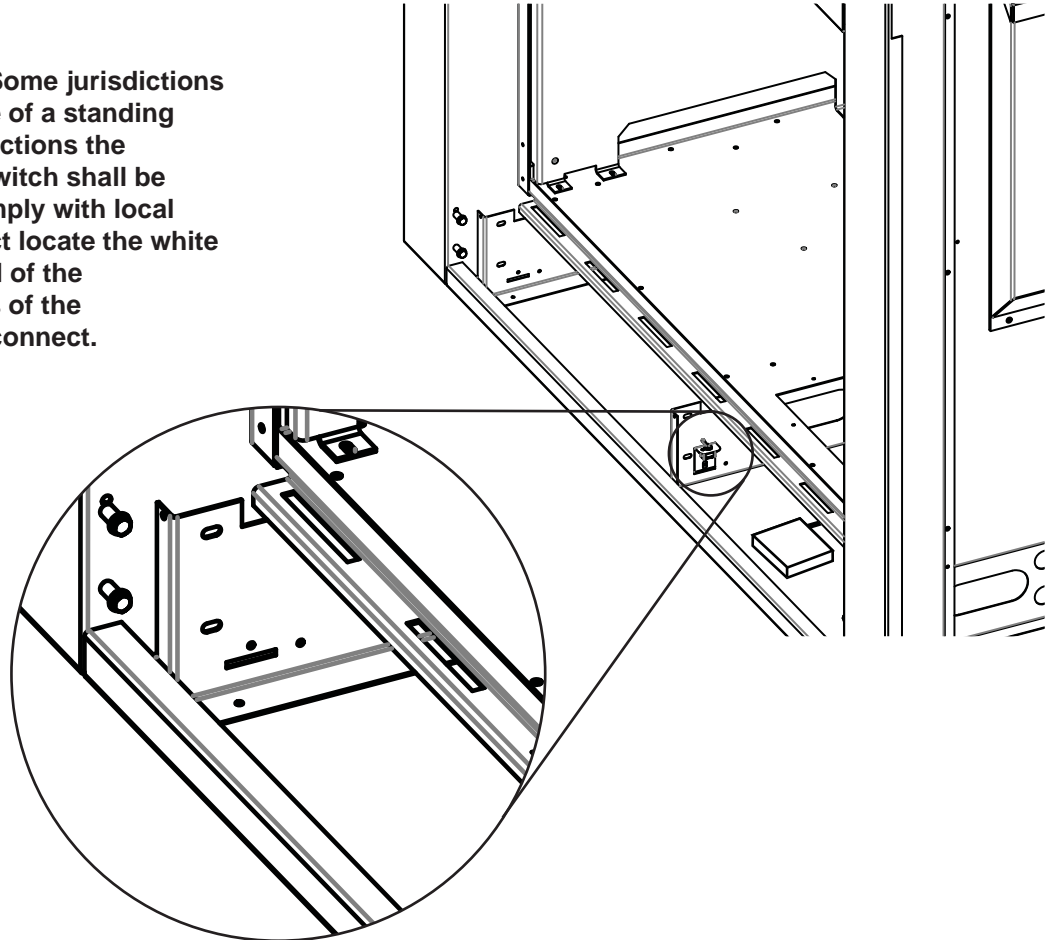
1. COUPEZ L'ALIMENTATION ÉLECTRIQUE AU FOYER SI UN TRAVAIL D'ENTRETIEN DOIT SE FAIRE.
2. TOURNEZ LA SOUPAPE D'ARRÊT MANUELLE VERS LA DROITE À "OFF" NE FORCEZ PAS.

### 8.3 ANTI CONDENSATION SWITCH

**NOTE:** Side screen must be removed before accessing the anti-condensation switch.

This appliance has the ability to switch from an electronic intermittent pilot ignition (IPI) to a standing pilot (ACS) for cold climates. The heat generated by the standing pilot will improve the start up operation on colder climate days. Therefore we recommend switching to the standing pilot on those colder days. The anti condensation switch (standing pilot) is located in the control compartment. Using your finger, flip the switch up for standing pilot, or down for intermittent pilot ignition.

**INSTALLER NOTE:** Some jurisdictions may prohibit the use of a standing pilot. In these jurisdictions the anti condensation switch shall be disconnected to comply with local codes. To disconnect locate the white connector at the end of the white and blue wires of the ACS switch and disconnect.



# 9.0 ADJUSTMENT

## 9.1 PILOT BURNER ADJUSTMENT

Adjust the pilot screw to provide properly sized flame. Turn in a clockwise direction to reduce the gas flow.

### Check Pressure Readings:

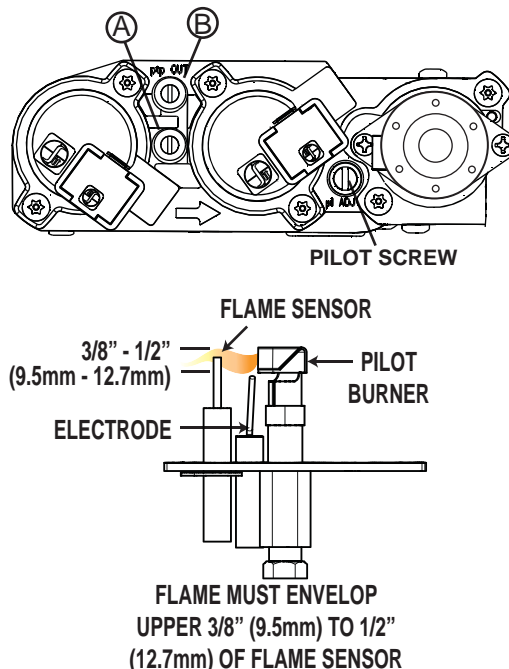
Inlet pressure can be checked by turning screw (A) counter-clockwise 2 or 3 turns and then placing pressure gauge tubing over the test point. Gauge should read as described on the chart below. Check that main burner is operating on "HI".

Outlet pressure can be checked the same as above using screw (B). Gauge should read as described on the chart below. Check that main burner is operating on "HI".

**AFTER TAKING PRESSURE READINGS, BE SURE TO TURN SCREWS CLOCKWISE FIRMLY TO RESEAL. DO NOT OVER TORQUE.**

Leak test with a soap and water solution.

Prior to pilot adjustment, ensure that the pilot assembly has not been painted. If overspray or painting of the pilot assembly has occurred remove the paint from the pilot assembly, or replace. Fine emery cloth or sandpaper can be used to remove the paint from the pilot hood, electrode and flame sensor.



Pressure	Natural Gas (inches)	Natural Gas (millibars)	Propane (inches)	Propane (millibars)
Inlet	7" (MIN. 4.5")	17.4mb (MIN. 11.2mb)	13" (MIN. 11")	32.4mb (MIN. 27.4mb)
Outlet	3.5"	8.7mb	10"	24.9mb

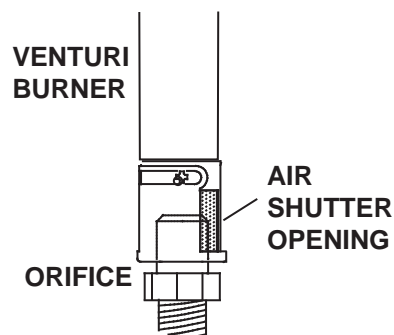
39.7A

## 9.2 VENTURI ADJUSTMENT

This appliance has an air shutter that has been factory set open according to the chart below:

Regardless of venturi orientation, closing the air shutter will cause a more yellow flame, but can lead to carboning. Opening the air shutter will cause a more blue flame, but can cause flame lifting from the burner ports. The flame may not appear yellow immediately; allow 15 to 30 minutes for the final flame colour to be established.

**AIR SHUTTER ADJUSTMENT MUST ONLY BE DONE BY A QUALIFIED INSTALLER!**

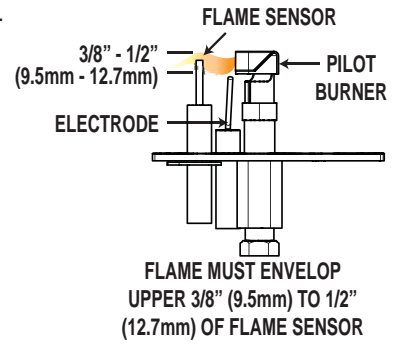


49.1

VENTURI ADJUSTMENT CHART	
FUEL	BHD4
NG	1/16" (1.6mm)
LP	5/16" (8mm)

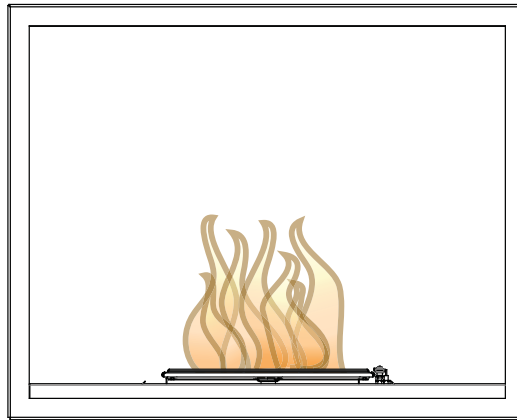
9.3 FLAME CHARACTERISTICS

It's important to periodically perform a visual check of the pilot and burner flames. Compare them to the illustration provided. If any flames appear abnormal call a service person.

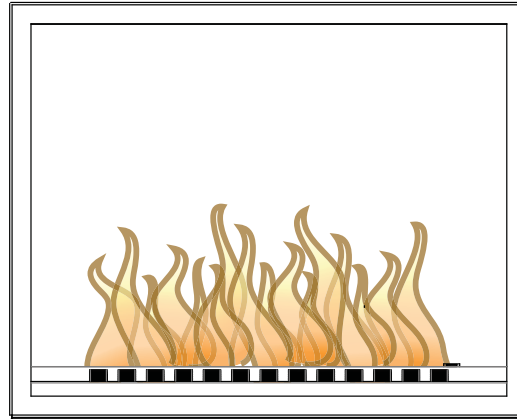


54.1B

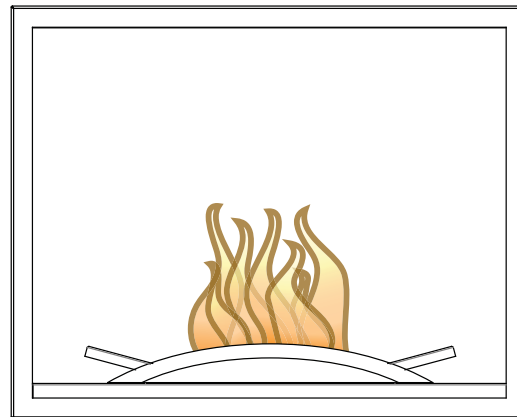
LOG BURNER



GLASS BURNER



CRADLE





## 10.0 MAINTENANCE

**! WARNING****TURN OFF THE GAS AND ELECTRICAL POWER BEFORE SERVICING THE APPLIANCE.****APPLIANCE MAY BE HOT, DO NOT SERVICE UNTIL APPLIANCE HAS COOLED.****DO NOT USE ABRASIVE CLEANERS.****DO NOT PAINT THE PILOT ASSEMBLY.**

**CAUTION:** Label all wires prior to disconnection when servicing controls. Wiring errors can cause improper and dangerous operation. Verify proper operation after servicing. This appliance and its venting system should be inspected before use and at least annually by a qualified service person. The appliance area must be kept clear and free of combustible materials, gasoline or other flammable vapors and liquids. The flow of combustion and ventilation air must not be obstructed.

- A.** In order to properly clean the burner and pilot assembly, remove the logs, rocks and/or glass to expose both assemblies.
- B.** Keep the control compartment, media, burner, air shutter opening and the area surrounding the logs clean by vacuuming or brushing, at least once a year.
- C.** Check to see that all burner ports are burning. Clean out any of the ports which may not be burning or are not burning properly.
- D.** Check to see that the pilot flame is large enough to engulf the flame sensor and/or thermocouple / thermopile as well as reaches the burner.
- E.** Replace the cleaned logs, rocks or glass. Failure to properly position the media may cause carboning which can be distributed in the surrounding living area.
- F.** Check to see that the main burner ignites completely on all openings when turned on. A 5 to 10 second total light-up period is satisfactory. If ignition takes longer, consult your local authorized dealer / distributor.
- G.** Check that the gasketing on the sides, top and bottom of the door is not broken or missing. Replace if necessary.
- H.** If for any reason the vent air intake system is disassembled, re-install and re-seal per the instructions provided for the initial installation.
- I.** Cleaning the safety barrier may be necessary due to excessive lint / dust from carpeting, pets, etc. simply vacuum using the brush attachment.
- J.** Ensure the relief system performs effectively. Check that the gasket is not worn or damaged. Replace if necessary.

40.1D



## 10.1 ANNUAL MAINTENANCE

**! WARNING**

**THE FIREBOX BECOMES VERY HOT DURING OPERATION. LET THE APPLIANCE COOL COMPLETELY OR WEAR HEAT RESISTANT GLOVES BEFORE CONDUCTING SERVICE.**

**NEVER VACUUM HOT EMBERS.**

**DO NOT PAINT THE PILOT ASSEMBLY.**

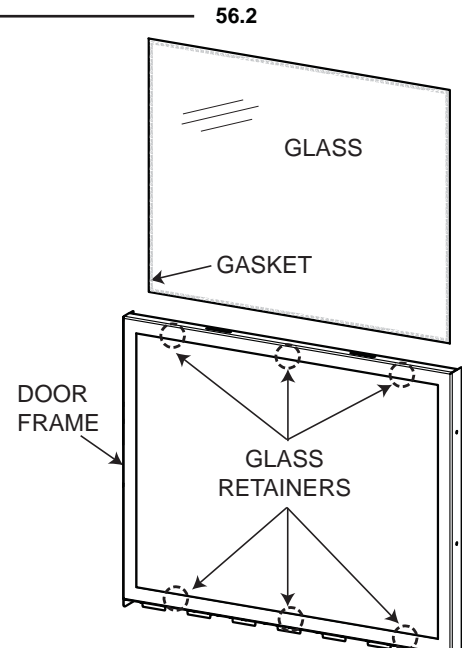
- This appliance will require maintenance which should be planned on an annual basis.
- Service should include cleaning, battery replacement, venting inspection and inspection of the burner, media and firebox. Refer to the door removal section and remove the door as instructed.
- Carefully remove media if necessary (logs, glass, brick panels etc).
- Using a vacuum with a soft brush attachment, gently remove any dirt, debris or carbon build up from the logs, firebox and burner. For glass media, follow the installation instructions for pre-cleaning.
- Also gently remove any build-up on the pilot assembly including, if equipped; thermopile, thermocouple, flame sensor and igniter. **NOTE: The flame sensor may require to be cleaned using a fine steel wool or Scotch-Brite™ scrubbing pad to remove any oxides. Clean the pilot assembly using a vacuum with a soft brush attachment. It is important that the pilot assembly is not painted.**
- Inspect all accessible gaskets and replace as required.
- Access the blower, if equipped and clean using a soft brush and vacuum.
- Re-assemble the various components in reverse order.
- Inspect the relief system. The appliance relieves through the main glass door or through the flaps on the firebox top. Ensure they open freely, and close sealed.
- Check the gas control valve pilot and Hi / Lo knobs move freely (if equipped) – replace if any stiffness in movement is experienced.
- Check for gas leaks on all gas connections up and downstream from the gas valve including the pilot tube connections.

37.1C

## 10.2 GLASS / DOOR REPLACEMENT

<b>! WARNING</b>
<b>DO NOT USE SUBSTITUTE MATERIALS.</b>
<b>GLASS MAY BE HOT, DO NOT TOUCH GLASS UNTIL COOLED.</b>
<b>CARE MUST BE TAKEN WHEN REMOVING AND DISPOSING OF ANY BROKEN DOOR GLASS OR DAMAGED COMPONENTS. BE SURE TO VACUUM UP ANY BROKEN GLASS FROM INSIDE THE APPLIANCE BEFORE OPERATION.</b>
<b>DO NOT STRIKE, SLAM OR SCRATCH GLASS. DO NOT OPERATE APPLIANCE WITH GLASS REMOVED, CRACKED, BROKEN OR SCRATCHED.</b>

- A. Place the door frame face down careful not to scratch the paint.
- B. Center the gasketed glass inside the door frame with the thick side of the gasket facing up.
- C. Bend the glass retainers located along the edge of the door frame over the gasket holding the glass in place. Be careful not to break the glass.



## 10.3 CARE OF GLASS

**DO NOT CLEAN GLASS WHEN HOT! DO NOT USE ABRASIVE CLEANERS TO CLEAN GLASS.**

Buff lightly with a clean dry soft cloth to remove accumulated dust or fingerprints. Clean both sides of the glass after the first 10 hours of operation with a recommended fireplace glass cleaner. **NOTE: Vinegar-based or ammonia-free glass cleaners have generally demonstrated an ability to provide a clean, streak free glass surface.** Thereafter clean as required. If the glass is not kept clean permanent discoloration and / or blemishes may result.

Do not contact the inside surface of the glass with razor blades, steel wool or other metallic objects as a thin layer of metal removed from the object may be deposited onto the coating which results in a discoloured stain or scratch like mark. Such marks are not removed using the normal cleaning procedures given but require specialized techniques.

Contact you local authorized dealer / distributor for complete cleaning instructions.

5.4

This appliance is factory equipped with 4mm tempered glass. Use only replacement glass available from your Napoleon® dealer. DO NOT SUBSTITUTE MATERIALS.

5.5

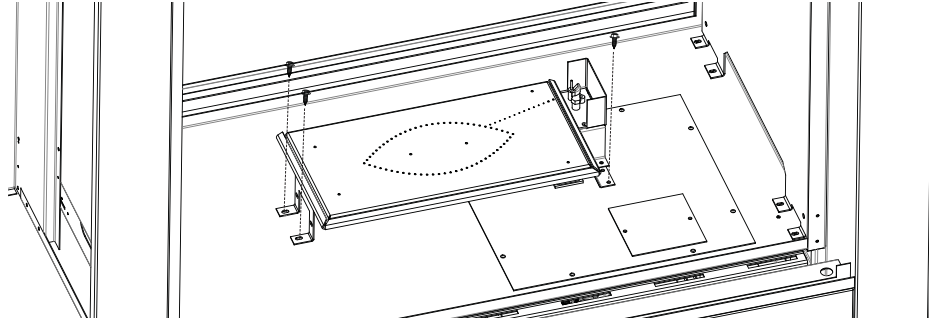
<b>! WARNING</b>	
	<p><b>HOT GLASS WILL CAUSE BURNS.</b></p> <p><b>DO NOT TOUCH GLASS UNTIL COOLED.</b></p> <p><b>NEVER ALLOW CHILDREN TO TOUCH GLASS.</b></p>



## 10.4 BURNER REMOVAL

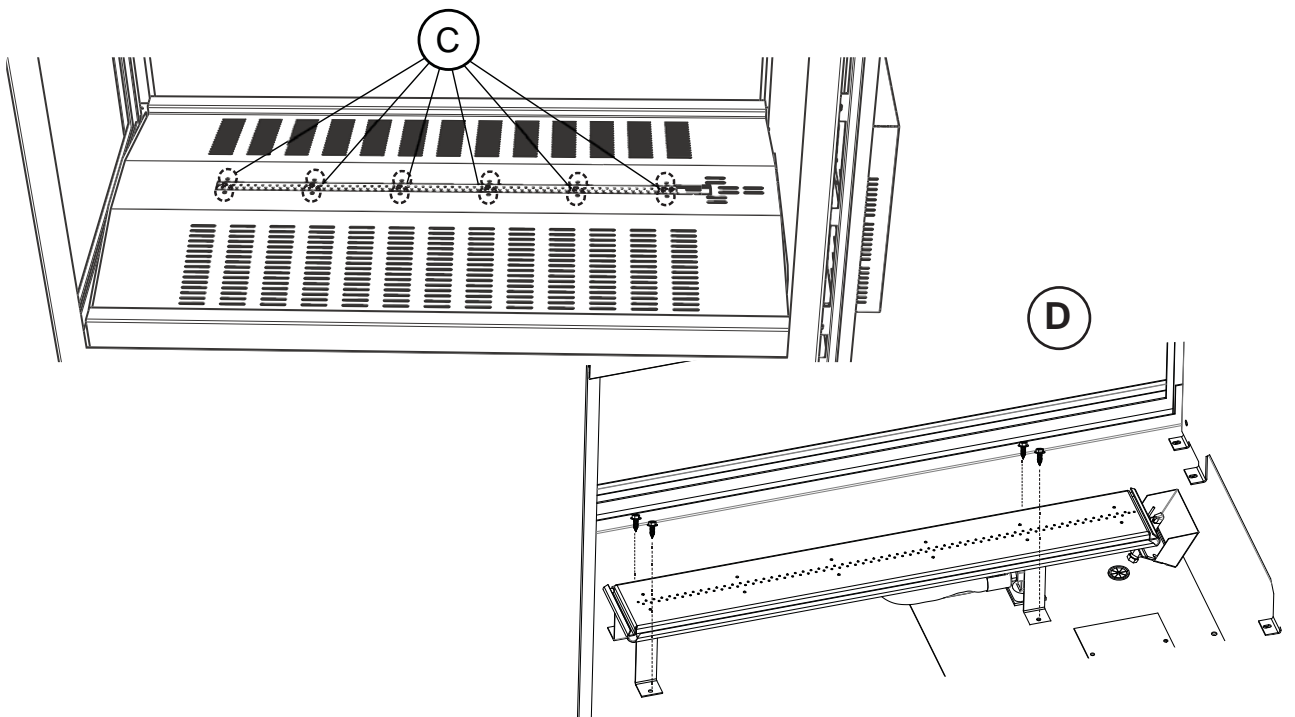
### 10.4.1 LOG BURNER REMOVAL

- A. Remove the door(s) refer to the "DOOR REMOVAL/INSTALLATION" section for instructions.
- B. Carefully remove the logs from the appliance.
- C. Remove all of the hearth pads, from the appliance. Refer to the "HEARTH PAD INSTALLATION/REMOVAL" section for instructions.
- D. Remove the 4 screws securing the burner in place. Then slide the burner off the the orifice and remove from the appliance.
- E. To reinstall the burner reverse these steps. **NOTE: When reinstalling the burner ensure that the venturi rests on the orifice.**



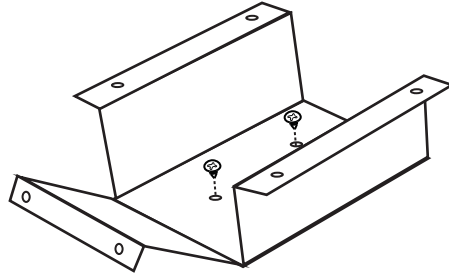
### 10.4.2 GLASS BURNER REMOVAL

- A. Remove the door(s) refer to the "DOOR REMOVAL/INSTALLATION" section for instructions.
- B. Vacuum the glass media out of the appliance. Ensure you insert a clean bag into your vacuum cleaner.
- C. Remove the 12 screws securing the media tray, then remove the media tray from the appliance, as shown below.
- D. Remove the 4 screws securing the burner, as shown below. Then slide the burner off of the orifice and remove from the appliance.
- E. To reinstall the burner reverse these steps. **NOTE: When reinstalling the burner ensure that the venturi rests on the orifice.**



#### 10.4.4 SHIPPING BRACKET REMOVAL

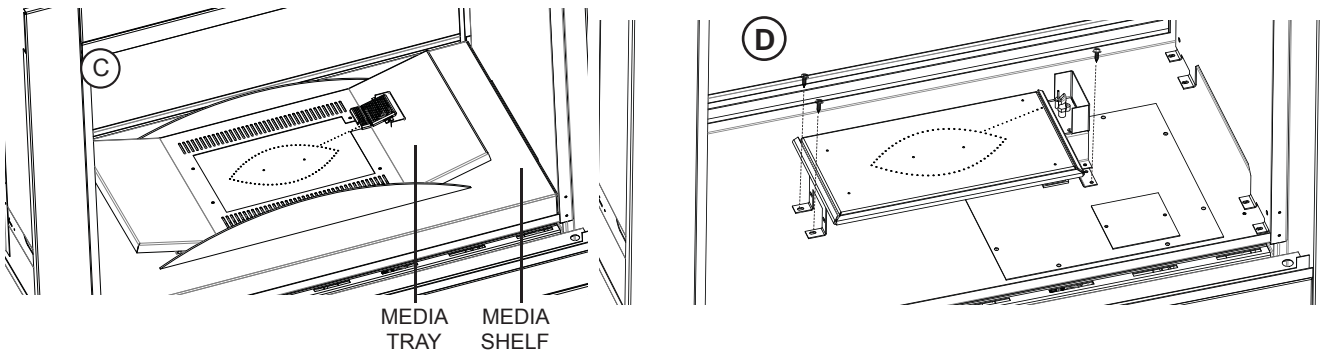
- A. Remove the door(s), refer to "DOOR REMOVAL / INSTALLATION" section for instructions.
- B. Cut the strap holding the glass and vent thimble in place.
- C. Remove the 2 screws holding the shipping bracket / vent shield in place, as shown.



**NOTE:** The 2 screws removed from the shipping bracket / vent shield **MUST** be replaced.

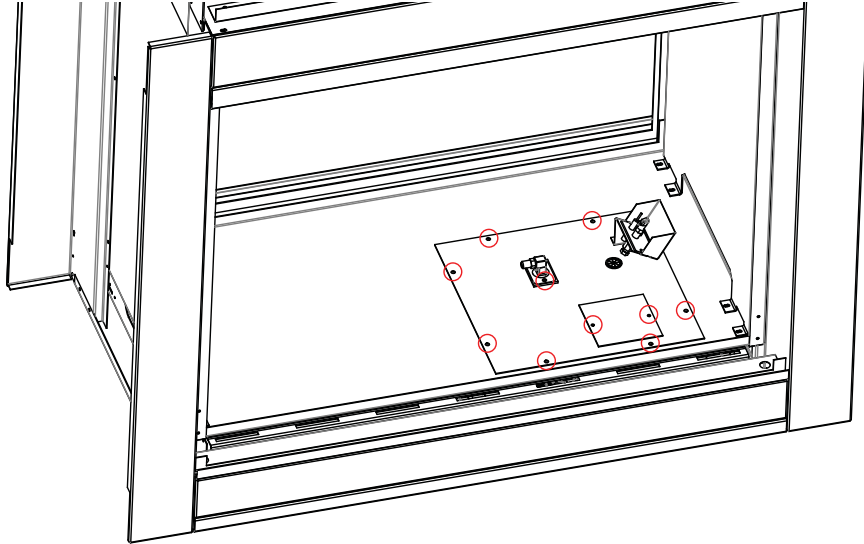
#### 10.4.3 CRADLE BURNER REMOVAL

- A. Remove the door(s) refer to the "DOOR REMOVAL/INSTALLATION" section for instructions.
- B. Carefully remove the glass or rocks from the appliance.
- C. To remove the media tray from the appliance lift the media tray and the media shelf up and out of the appliance. The media tray and media shelf are secured together and resting loose in the firebox.
- D. Remove the 4 screws securing the burner in place, as shown below. Then slide the burner off the the orifice and remove from the appliance.
- E. To reinstall the burner reverse these steps. **NOTE: When reinstalling the burner ensure that the venturi rests on the orifice.**



## 10.5 VALVE TRAIN REPLACEMENT

- A. Remove the screen and glass door. See "DOOR / SCREEN REMOVAL AND INSTALLATION" section. Remove the burners, see "BURNER REMOVAL" section.
- B. Remove the 12 screws holding the valve train in place.  
**NOTE: A new gasket may be required when reinstalling the valve train assembly. Contact your local authorized dealer/distributor.**
- C. Carefully lift the valve train assembly out far enough to access the manual shut off valve and turn to the off position. Disconnect the flex connector from the valve. You may now lift the valve train out of the appliance.



## 10.6 RESTRICTING VERTICAL VENTS

Vertical installations may display a very active flame. If this appearance is not desirable, the vent exit must be restricted using a restrictor vent kit. Refer to "ACCESORIES" in the "REPLACEMENTS" section for the appropriate kit. This will reduce the velocity of the exhaust gases, slowing down the flame pattern and creating a more traditional gentle flame appearance. Specific instructions are included with the kit.

77.3

## 11.0 REPLACEMENTS

### **WARNING**

**FAILURE TO POSITION THE PARTS IN ACCORDANCE WITH THIS MANUAL OR FAILURE TO USE ONLY PARTS SPECIFICALLY APPROVED WITH THIS APPLIANCE MAY RESULT IN PROPERTY DAMAGE OR PERSONAL INJURY.**

**\*\* THIS IS A FAST ACTING THERMOCOUPLE. IT IS AN INTEGRAL SAFETY COMPONENT. REPLACE ONLY WITH A FAST ACTING THERMOCOUPLE SUPPLIED BY WOLF STEEL LTD.**

Contact your dealer or the factory for questions concerning prices and policies on replacement parts. Normally all parts can be ordered through your Authorized dealer / distributor.

**FOR WARRANTY REPLACEMENT PARTS, A PHOTOCOPY OF THE ORIGINAL INVOICE WILL BE REQUIRED TO HONOUR THE CLAIM.**

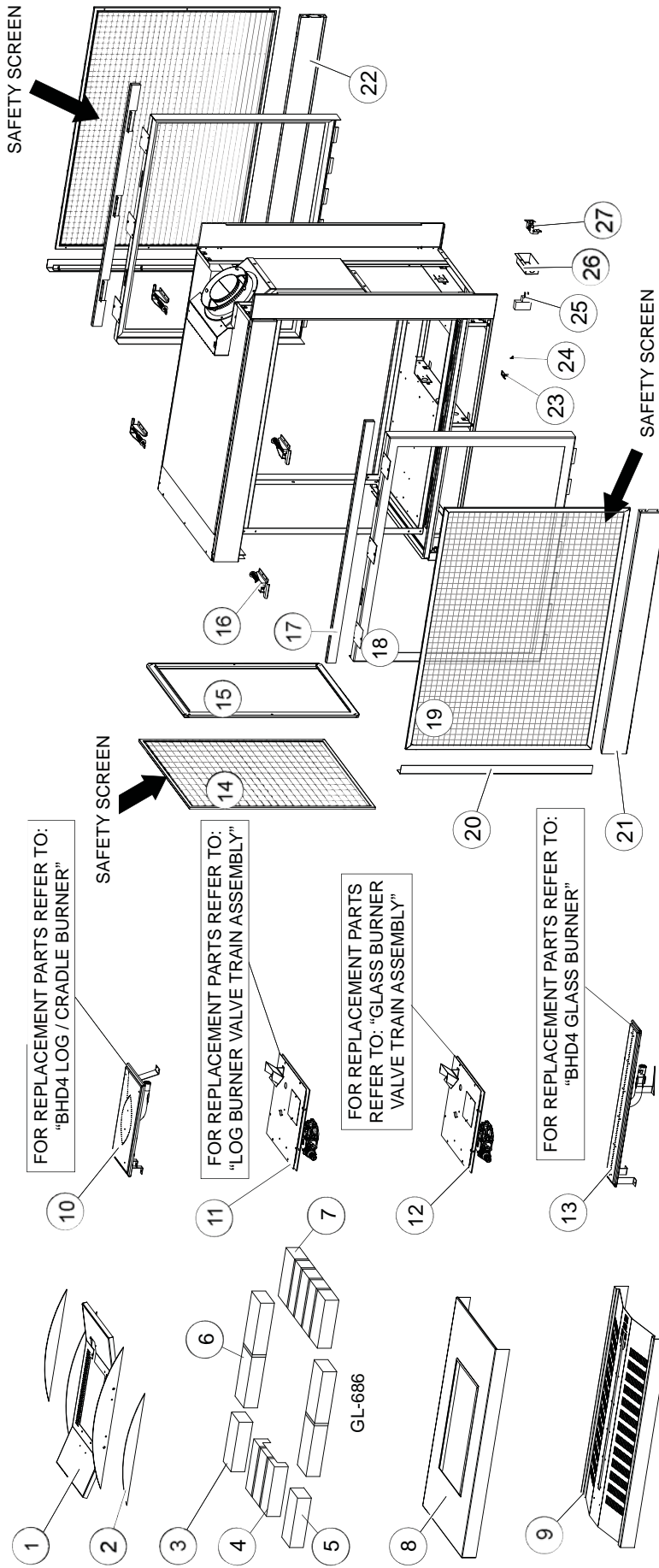
When ordering replacement parts always give the following information:

- Model & Serial Number of appliance
- Installation date of appliance
- Part number
- Description of part
- Finish

**\* IDENTIFIES ITEMS WHICH ARE NOT ILLUSTRATED. FOR FURTHER INFORMATION, CONTACT YOUR AUTHORIZED DEALER.**

41.2

# 12.0 BHD4P OVERVIEW



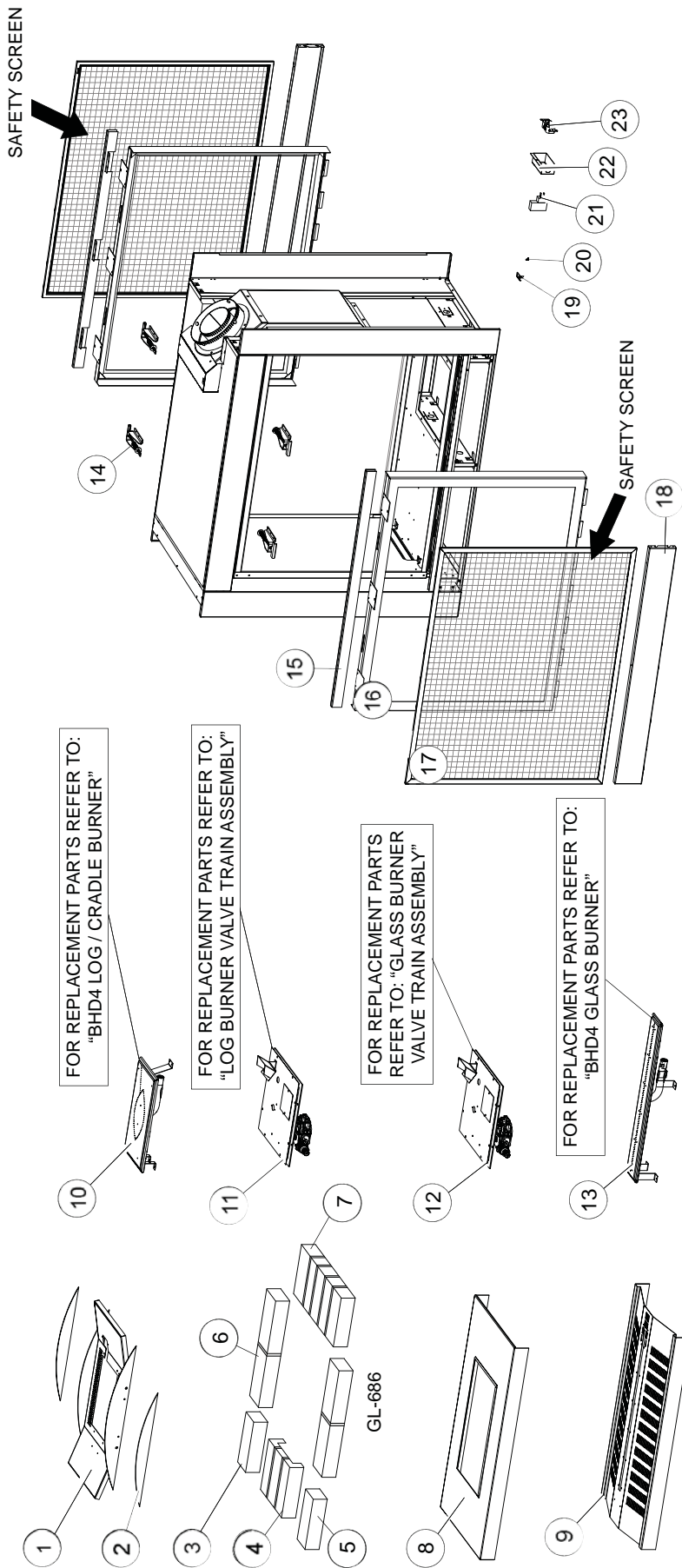
ITEMS MAY NOT APPEAR EXACTLY AS ILLUSTRATED

REF. NO.	PART NUMBER	DESCRIPTION
15	W010-2898	END DOOR ASSEMBLY
16	W010-2829	DOOR LATCH ASSEMBLY (X4)
17	W010-3192	SCREEN RETAINER (X2)
18	W010-3205	DOOR ASSEMBLY (X2)
19	W565-0152	SAFETY SCREEN (X2)
20	W010-3204	SCREEN TRIM ASSEMBLY (X2)
21	W010-3209	(RS) VALVE ACCESS PANEL
22	W010-3208	(LS) VALVE ACCESS PANEL
23	W080-1395	ACS SWITCH BRACKET
24	W715-0191	ACS SWITCH
25	W707-0010	TRANSFORMER
26	W350-0126	ELECTRICAL BOX
27	W460-0006	RECEPTACLE

REF. NO.	PART NUMBER	DESCRIPTION
1	W010-3481	MEDIA BOWL ASSEMBLY
2	W010-2997	MEDIA BOWL TRIM
3	W333-0024	SIDE HEARTH PAD #1A (GL-686)
4	W333-0020	NOTCHED HEARTH PAD #1A (GL-686)
5	W333-0021	SIDE HEARTH PAD #1 (GL-686)
6	W333-0023	MIDDLE HEARTH PAD #2 (X2) (GL-686)
7	W333-0022	END HEARTH PAD #4 (GL-686)
8	W655-0561	MEDIA BOWL SHELF
9	W710-0059	GLASS MEDIA TRAY
10	W100-0161	LOG/CRADLE BURNER
11	W010-3207	LOG BURNER VALVE TRAIN ASSEMBLY
12	W010-3206	GLASS BURNER VALVE TRAIN ASSEMBLY
13	W100-0160	GLASS BURNER
14	W565-0153	END SAFETY SCREEN



# 13.0 BHD4ST OVERVIEW

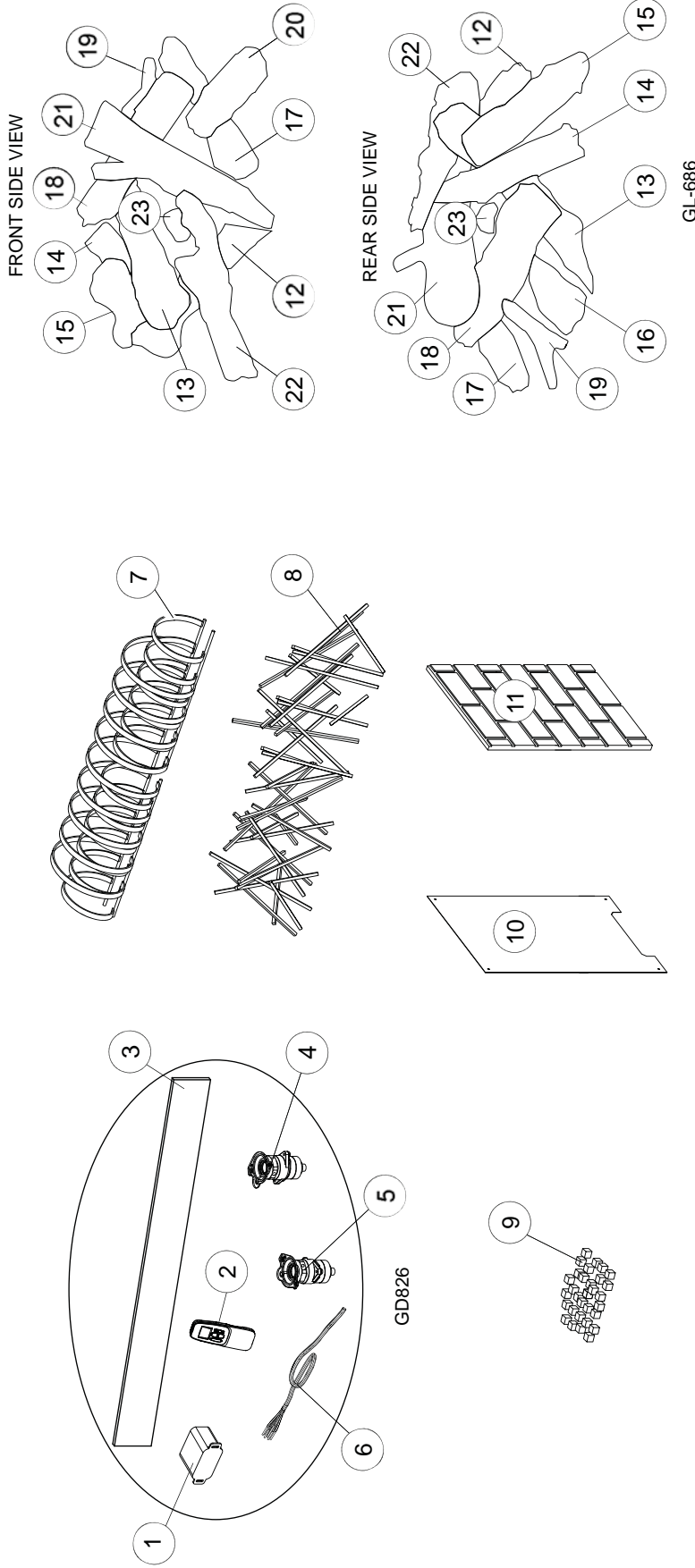


ITEMS MAY NOT APPEAR EXACTLY AS ILLUSTRATED

REF. NO.	PART NUMBER	DESCRIPTION
1	W010-3481	MEDIA BOWL ASSEMBLY
2	W010-2997	MEDIA BOWL TRIM
3	W333-0024	SIDE HEARTH PAD #1A (GL-686)
4	W333-0020	NOTCHED HEARTH PAD #1A (GL-686)
5	W333-0021	SIDE HEARTH PAD #1 (GL-686)
6	W333-0023	MIDDLE HEARTH PAD #2 (X2) (GL-686)
7	W333-0022	END HEARTH PAD #4 (GL-686)
8	W655-0561	MEDIA BOWL SHELF
9	W710-0059	GLASS MEDIA TRAY
10	W100-0161	LOG/CRADLE BURNER
11	W010-3207	LOG BURNER VALVE TRAIN ASSEMBLY
12	W010-3206	GLASS BURNER VALVE TRAIN ASSEMBLY

REF. NO.	PART NUMBER	DESCRIPTION
13	W100-0160	GLASS BURNER
14	W010-2829	DOOR LATCH ASSEMBLY (X4)
15	W010-3191	SCREEN RETAINER (X2)
16	W010-3205	DOOR ASSEMBLY (X2)
17	W565-0151	SAFETY SCREEN (X2)
18	W475-0928	VALVE ACCESS PANEL (X2)
19	W080-1395	ACS SWITCH BRACKET
20	W715-0191	ACS SWITCH
21	W707-0010	TRANSFORMER
22	W350-0126	ELECTRICAL BOX
23	W460-0006	RECEPTACLE

# 14.0 ACCESSORIES

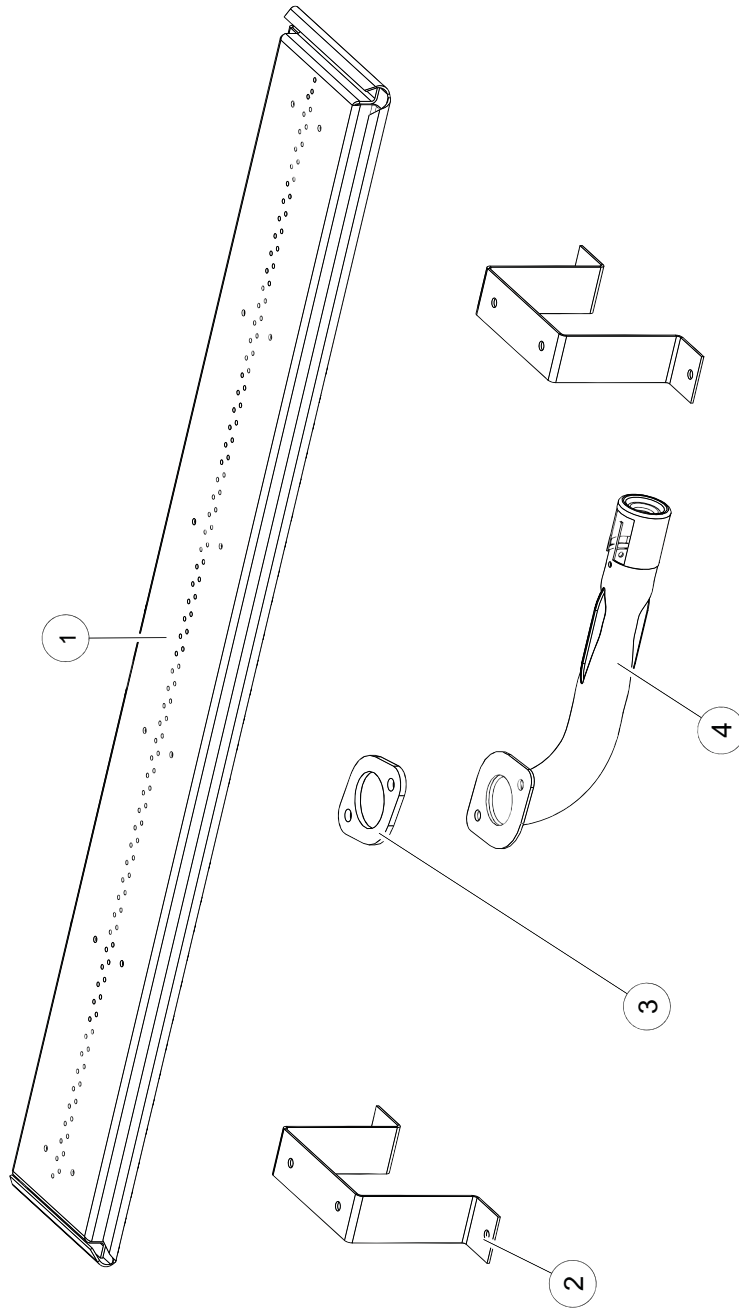


ITEMS MAY NOT APPEAR EXACTLY AS ILLUSTRATED

REF. NO.	PART NUMBER	DESCRIPTION
1	W660-0104	RECEIVER (GD826)
2	W660-0074	TRANSMITTER (GD826)
3	W290-0245	GASKET (GD826)
4	W435-0011 (NG)	STEPPER MOTOR (GD826N)
5	W435-0010 (LP)	STEPPER MOTOR (GD826P)
6	W750-0284	WIRE HARNESS (GD826)
7	LDAC	DECORATIVE COIL
8	LDNS	DECORATIVE STICKS
9		GLASS MEDIA KIT
10	W500-0706	EMBERS (VARIOUS COLOURS)
11	W475-0871	PORCELAIN PANEL
12	W135-0527	BRICK PANEL
		LOG #1 (GL-686)

REF. NO.	PART NUMBER	DESCRIPTION
13	W135-0528	LOG #2 (GL-686)
14	W135-0529	LOG #3 (GL-686)
15	W135-0530	LOG #4 (GL-686)
16	W135-0531	LOG #5 (GL-686)
17	W135-0532	LOG #6 (GL-686)
18	W135-0533	LOG #7 (GL-686)
19	W135-0534	LOG #8 (GL-686)
20	W135-0535	LOG #9 (GL-686)
21	W135-0536	LOG #10 (GL-686)
22	W135-0537	LOG #11 (GL-686)
23	W135-0540	CHARCOAL CHUNK #12 (GL-686)

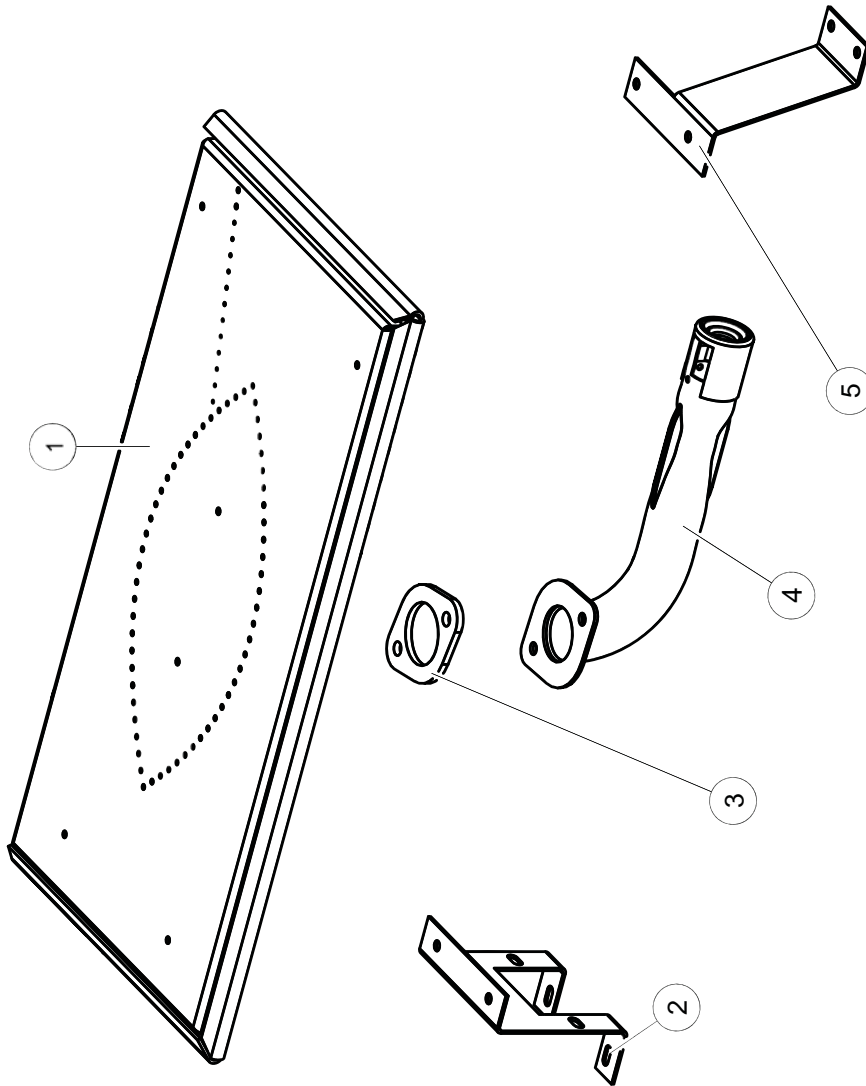
## 15.0 GLASS BURNER (W100-0160)



ITEMS MAY NOT APPEAR EXACTLY AS ILLUSTRATED

REF. NO.	PART NUMBER	DESCRIPTION
1	W010-2954	BURNER ASSEMBLY
2	W080-1400	BURNER BRACKET (X2)
3	W290-0018	VENTURI GASKET
4	W720-0005	VENTURI

# 16.0 LOG /CRADLE BURNER (W100-0161)

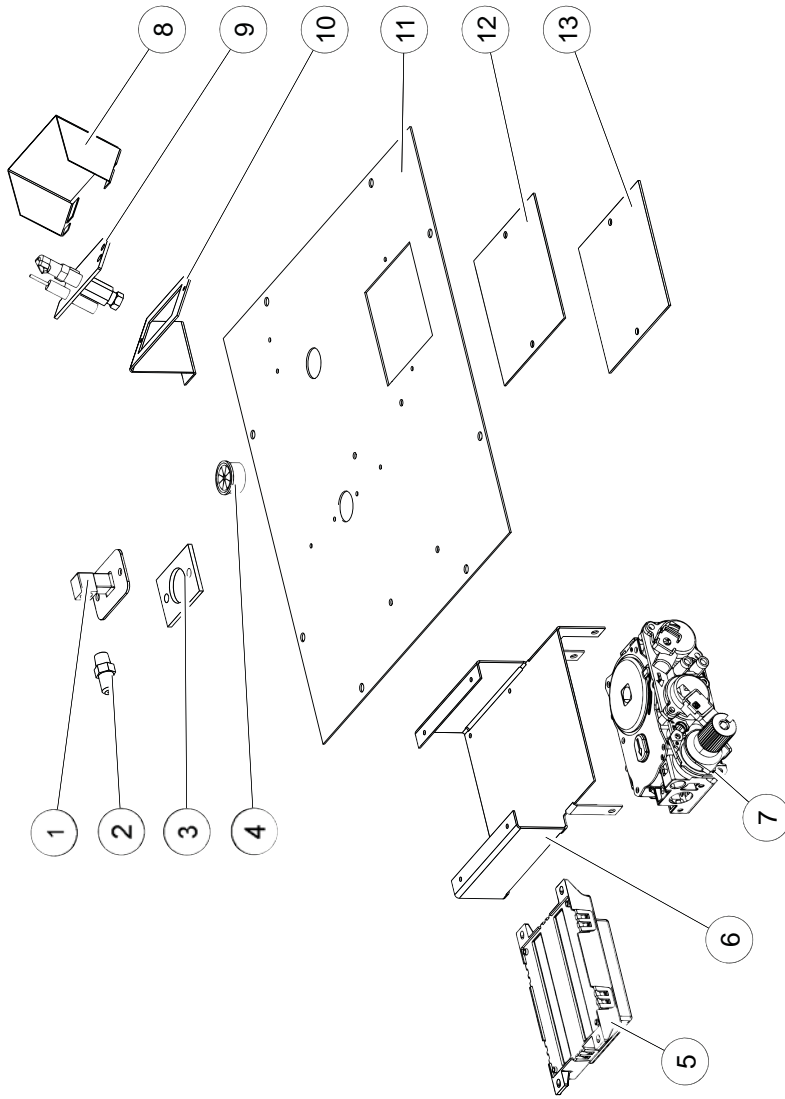


ITEMS MAY NOT APPEAR EXACTLY AS ILLUSTRATED

REF. NO.	PART NUMBER	DESCRIPTION
1	W010-2955	BURNER ASSEMBLY
2	W080-1244	BURNER BRACKET
3	W290-0018	VENTURI GASKET

REF. NO.	PART NUMBER	DESCRIPTION
4	W720-0005	VENTURI
5	W080-1399	BURNER BRACKET

# 17.0 GLASS BURNER VALVE TRAIN ASSEMBLY

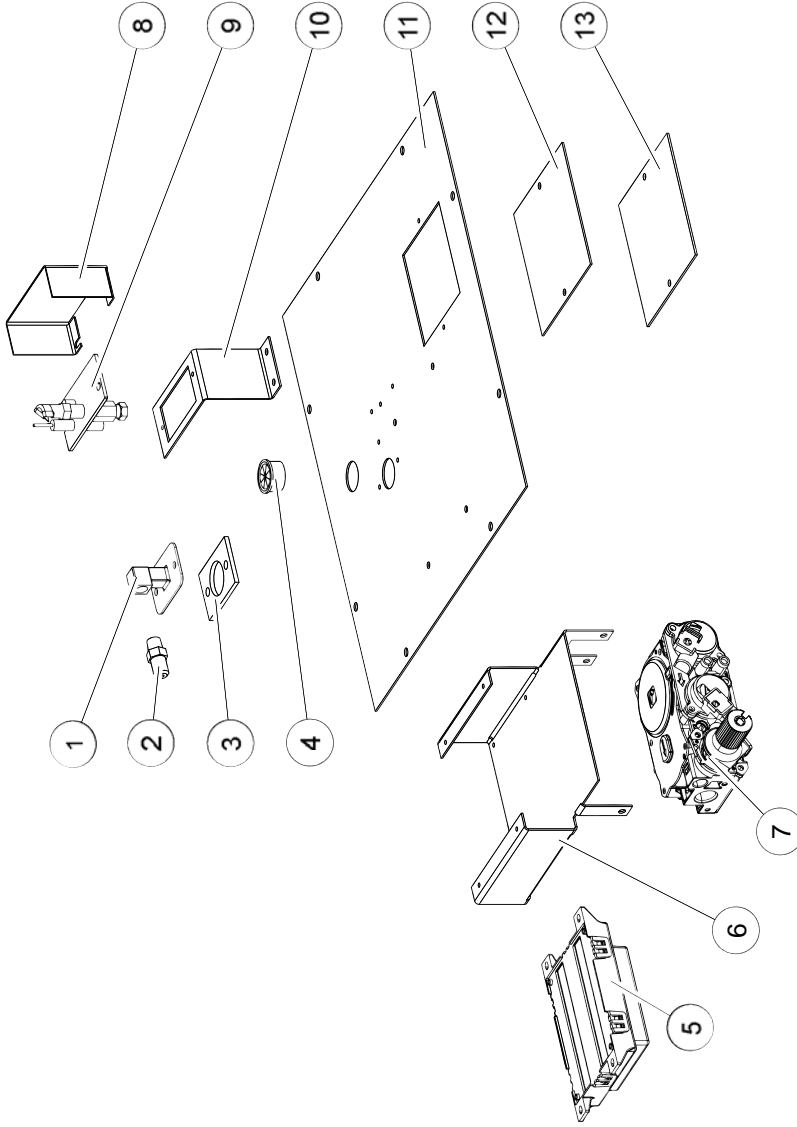


ITEMS MAY NOT APPEAR EXACTLY AS ILLUSTRATED

REF. NO.	PART NUMBER	DESCRIPTION
1	W432-0103	GAS MANIFOLD
2	W456-0037	BURNER ORIFICE #37
3	W290-0157	MANIFOLD GASKET
4	W105-0001	BUSHING
5	W190-0029	CONTROL BOARD
6	W080-1366	VALVE BRACKET
7	W725-0065	VALVE

REF. NO.	PART NUMBER	DESCRIPTION
8	W585-0790	PILOT HOUSING
9	W010-3024	PSE PILOT ASSEMBLY
10	W080-1304	PILOT BRACKET
11	W035-0337	VALVE TRAIN BASE
12	W200-0456	VALVE ACCESS COVER
13	W290-0247	ACCESS GASKET

# 18.0 LOG BURNER VALVE TRAIN ASSEMBLY


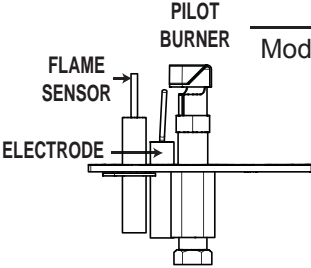


ITEMS MAY NOT APPEAR EXACTLY AS ILLUSTRATED

REF. NO.	PART NUMBER	DESCRIPTION
1	W432-0103	GAS MANIFOLD
2	W456-0037	BURNER ORIFICE #37
3	W290-0157	MANIFOLD GASKET
4	W105-0001	BUSHING
5	W190-0029	CONTROL BOARD
6	W080-1366	VALVE BRACKET
7	W725-0065	VALVE

REF. NO.	PART NUMBER	DESCRIPTION
8	W350-0264	PILOT HOUSING
9	W010-3024	PSE PILOT ASSEMBLY
10	W080-1372	PILOT BRACKET
11	W035-0338	VALVE TRAIN BASE
12	W200-0456	VALVE ACCESS COVER
13	W290-0247	ACCESS GASKET

## 19.0 TROUBLESHOOTING

 <b>WARNING</b>		
<b>ALWAYS LIGHT THE PILOT WHETHER FOR THE FIRST TIME OR IF THE GAS SUPPLY HAS RAN OUT, WITH THE GLASS DOOR OPEN OR REMOVED.</b>		
<b>TURN OFF THE GAS AND ELECTRICAL POWER BEFORE SERVICING THE APPLIANCE.</b>		
<b>APPLIANCE MAY BE HOT, DO NOT SERVICE UNTIL APPLIANCE HAS COOLED.</b>		
<b>DO NOT USE ABRASIVE CLEANERS.</b>		
SYMPTOM	PROBLEM	TEST SOLUTION
Pilot will not light.	Wiring.	- Verify the wire for the sensor and the wire for the ignitor are connected to the correct terminals (not reversed) on the module. <b>NOTE:</b> Sensor has 3/16" (4.8mm) connection and ignitor has 1/8" (3.2mm) connection.
Makes noise with no spark at pilot burner.	Loose connection.	- Verify no loose connections, electrical shorts in the wiring or ground out to any metal object.
	Module.	- Turn the ON/OFF switch to the "OFF" position. Remove the igniter wire from the module. Place the ON/OFF switch to the "ON" position. Hold a grounded wire about 3/16" (4.8mm) away from the ignitor (spark) terminal on the module. If no spark the ignitor terminal module must be replaced. If there is a spark the ignitor terminal is fine. Inspect pilot assembly for a shorted wire or cracked insulator around the electrode.
	Igniter Spark gap is incorrect.	- Spark gap of the ignitor to the pilot should be 1/8" (3.2mm).
	Transformer.	- Verify the transformer is installed and plugged into the module. Check voltage of the transformer under load at the spade connections on the module with the ON/OFF switch in the "ON" position. Acceptable readings of a good transformer are between 6.2 and 7.0 volts A.C.
	Battery backup (if power is off)	- Check batteries.
	A shorted or loose Connection.	- Remove and reinstall the wiring harness that plugs into the module. Remove and verify continuity of each wire in wiring harness.
	Improper switch wiring.	- Troubleshoot the system with the simplest ON/OFF switch.
	Module is not grounded.	- Verify the valve and pilot assemblies are properly grounded to the metal chassis of the appliance or log set.
Pilot sparks but will not light.	Gas supply.	- Verify that the incoming gas line ball valve is "Open". Verify that the inlet pressure reading is within acceptable limits, inlet pressures must not exceed 14" W.C. (34.9mb).
	Out of propane gas.	- Fill the tank.

42.7A

SYMPTOM	PROBLEM	TEST SOLUTION
Carbon is being deposited on glass, logs, rocks, media or combustion chamber surfaces.	Air shutter has become blocked.	- Ensure air shutter opening is free of lint or other obstructions.
	Flame is impinging on the glass, logs, rocks, media or combustion chamber.	- Check that the glass, logs, rocks or media are correctly positioned. - Open air shutter to increase the primary air. - Check the input rate: check the manifold pressure and orifice size as specified by the rating plate values. - Check that the door gasketing is not broken or missing and that the seal is tight. - Check that both vent liners are free of holes and well sealed at all joints. - Check that minimum rise per foot has been adhered to for any horizontal venting.
Continues to spark and pilot lights, but main burner will not light.	Short or loose connection in sensor rod.	- Verify all connections. Verify the connections from the pilot assembly are tight; also verify these connections are not grounding out to any metal.
	Poor flame rectification or contaminated sensor rod.	- Verify the flame is engulfing the sensor rod. This will increase the flame rectification. Verify correct pilot orifice is installed and inlet gas specifications to manual. (Remember, the flame carries the rectification current, not the gas. If the flame lifts from pilot hood, the circuit is broken. A wrong orifice or too high of an inlet pressure can cause the pilot flame to lift.) The sensor rod may need cleaning.
	Poor grounding between pilot assembly and gas valve.	- Verify that the wire harness is firmly connected to module. Verify that the ceramic insulator around the sensor rod is not cracked, damaged, or loose. Verify the connection from the sensor rod to the sensor wire.
	Damaged pilot or dirty sensor rod.	- Clean sensor rod with a fine steel wool to remove any contamination that may have accumulated on the sensor rod. Verify continuity with multimeter with ohms set at the lowest range.
Pilot lights Stops sparking / pilot remains lit but burner will not turn on.	Wiring / Connection.	- Inspect all wires, ensure good tight connections. Verify that all wiring is installed exactly as specified.
	Wiring harness.	- Inspect the wiring harness, and verify the harness is tightly connected to the module. Verify that all wires are connected in the right order. See "WIRING DIAGRAM" section.
Exhaust fumes smelled in room, headaches.	Appliance is spilling.	- Check all seals. - Check if exhaust is re-entering through an open door or window.



SYMPTOM	PROBLEM	TEST SOLUTION
White / grey film forms.	Sulphur from fuel is being deposited on glass, logs or combustion chamber surfaces.	<ul style="list-style-type: none"> <li>- Clean the glass, see "CARE OF GLASS" section</li> <li>- <b>DO NOT CLEAN GLASS WHEN HOT.</b></li> <li>- If deposits are not cleaned off regularly, the glass may become permanently marked.</li> </ul>
Flames are very aggressive.	Door is ajar.	- Tighten door clamps if applicable.
	Venting action is too great.	- Restrict vent exit with restrictor plate. See "RESTRICTING VENTS" section if applicable.
Main burner flame is a blue, lazy, transparent flame.	Blockage in vent.	- Remove blockage. In really cold conditions, ice buildup may occur on the terminal and should be removed. To minimize this from happening again, it is recommended that the vent lengths that pass through unheated spaces (attics, garages, crawl spaces) be wrapped with an insulated mylar sleeve. Prevent sleeve from sagging. Contact your local authorized dealer for more information.
	Compromised venting.	- Check venting system parameters (seal, length, rise, etc.).
Main burner goes out: pilot goes out.	Vent recirculation.	- Check joint seals and installation.

42.7\_3B

## 20.0 WARRANTY

NAPOLEON® products are manufactured under the strict Standard of the world recognized ISO 9001 : 2008 Quality Assurance Certificate.

NAPOLEON® products are designed with superior components and materials assembled by trained craftsmen who take great pride in their work. The burner and valve assembly are leak and test-fired at a quality test station. The complete appliance is again thoroughly inspected by a qualified technician before packaging to ensure that you, the customer, receives the quality product that you expect from NAPOLEON®.

### NAPOLEON® GAS APPLIANCE PRESIDENT'S LIFETIME LIMITED WARRANTY

The following materials and workmanship in your new NAPOLEON® gas appliance are warranted against defects for as long as you own the appliance. This covers: combustion chamber, heat exchanger, stainless steel burner, phazer™ logs and embers, rocks, ceramic glass (thermal breakage only), gold plated parts against tarnishing, porcelainized enameled components and aluminum extrusion trims.\*

Electrical (110V and millivolt) components and wearable parts such as blowers, gas valves, thermal switch, switches, wiring, remote controls, ignitor, gasketing, and pilot assembly are covered and NAPOLEON® will provide replacement parts free of charge during the first year of the limited warranty.\*

Labour related to warranty repair is covered free of charge during the first year. Repair work, however, requires the prior approval of an authorized company official. Labour costs to the account of NAPOLEON® are based on a predetermined rate schedule and any repair work must be done through an authorized NAPOLEON® dealer.

\* Construction of models vary. Warranty applies only to components included with your specific appliance.

### CONDITIONS AND LIMITATIONS

NAPOLEON® warrants its products against manufacturing defects to the original purchaser only. Registering your warranty is not necessary. Simply provide your proof of purchase along with the model and serial number to make a warranty claim. NAPOLEON® reserves the right to have its representative inspect any product or part thereof prior to honouring any warranty claim. Provided that the purchase was made through an authorized NAPOLEON® dealer your appliance is subject to the following conditions and limitations:

Warranty coverage begins on the date of original installation.

This factory warranty is non-transferable and may not be extended whatsoever by any of our representatives.

The gas appliance must be installed by a licensed, authorized service technician or contractor. Installation must be done in accordance with the installation instructions included with the product and all local and national building and fire codes.

This limited warranty does not cover damages caused by misuse, lack of maintenance, accident, alterations, abuse or neglect and parts installed from other manufacturers will nullify this warranty.

This limited warranty does not cover any scratches, dents, corrosion or discoloring caused by excessive heat, abrasive and chemical cleaners nor chipping on porcelain enamel parts, mechanical breakage of PHAZER™ logs and embers.

This warranty extends to the repair or replacement of warranted parts which are defective in material or workmanship provided that the product has been operated in accordance with the operation instructions and under normal conditions.

After the first year, with respect to this President's Lifetime Limited Warranty, NAPOLEON® may, at its discretion, fully discharge all obligations with respect to this warranty by refunding to the original warranted purchaser the wholesale price of any warranted but defective part(s).

NAPOLEON® will not be responsible for installation, labour or any other expenses related to the reinstallation of a warranted part and such expenses are not covered by this warranty.

Notwithstanding any provisions contained in the President's Lifetime Limited Warranty, NAPOLEON'S responsibility under this warranty is defined as above and it shall not in any event extend to any incidental, consequential or indirect damages.

This warranty defines the obligations and liability of NAPOLEON® with respect to the NAPOLEON® gas appliance and any other warranties expressed or implied with respect to this product, its components or accessories are excluded.

NAPOLEON® neither assumes, nor authorizes any third party to assume, on its behalf, any other liabilities with respect to the sale of this product.

NAPOLEON® will not be responsible for: over-firing, downdrafts, spillage caused by environmental conditions such as rooftops, buildings, nearby trees, hills, mountains, inadequate vents or ventilation, excessive venting configurations, insufficient makeup air, or negative air pressures which may or may not be caused by mechanical systems such as exhaust fans, furnaces, clothes dryers, etc.

Any damages to the appliance, combustion chamber, heat exchanger, plated trim or other components due to water, weather damage, long periods of dampness, condensation, damaging chemicals or cleaners will not be the responsibility of NAPOLEON®.

All parts replaced under the President's Limited Lifetime Warranty Policy are subject to a single claim.

During the first 10 years NAPOLEON® will replace or repair the defective parts covered by the lifetime warranty at our discretion free of charge. From 10 years to life, NAPOLEON® will provide replacement parts at 50% of the current retail price.

All parts replaced under the warranty will be covered for a period of 90 days from the date of their installation.

The manufacturer may require that defective parts or products be returned or that digital pictures be provided to support the claim. Returned products are to be shipped prepaid to the manufacturer for investigation. If a product is found to be defective, the manufacturer will repair or replace such defect.

Before shipping your appliance or defective components, your dealer must obtain an authorization number. Any merchandise shipped without authorization will be refused and returned to sender.

Shipping costs are not covered under this warranty.

Additional service fees may apply if you are seeking warranty service from a dealer.

Warranty labour allowance is only for the replacement of the warranted part. Travel, diagnostic tests, shipping and other related charges are not covered by this warranty.

ALL SPECIFICATIONS AND DESIGNS ARE SUBJECT TO CHANGE WITHOUT PRIOR NOTICE DUE TO ON-GOING PRODUCT IMPROVEMENTS. NAPOLEON® IS A REGISTERED TRADEMARK OF WOLF STEEL LTD.

AS REQUIRED BY THE DEPARTMENT OF ENERGY IN THE UNITED STATES, 10 CFR PART 430, THE WARRANTY IS VOID IF THIS PRODUCT IS USED WITH A THERMOSTAT. THIS APPLIES TO PRODUCT INSTALLED IN THE UNITED STATES, ONLY.



Other Napoleon Products



Fireplace Inserts • Charcoal Grills • Gas Fireplaces • Waterfalls • Wood Stoves  
Heating & Cooling • Electric Fireplaces • Outdoor Fireplaces • Gourmet Grills



24 Napoleon Road, Barrie, Ontario, Canada L4M 0G8  
214 Bayview Drive, Barrie, Ontario, Canada L4N 4Y8  
103 Miller Drive, Crittenden, Kentucky, USA 41030  
7200 Trans Canada Highway, Montreal, Quebec, Canada H4T 1A3

Fireplaces / Heating & Cooling call: 705-721-1212 • Grills call: 705-726-4278

[napoleonproducts.com](http://napoleonproducts.com)

INSTALLATEUR : LAISSEZ CE MANUEL AVEC L'APPAREIL.  
PROPRIÉTAIRE : CONSERVEZ CE MANUEL POUR CONSULTATION ULTÉRIEURE.  
NE LAISSEZ PAS LES ENFANTS OU AUTRES INDIVIDUS À RISQUE SEULS À PROXIMITÉ DE L'APPAREIL.



# INSTRUCTIONS D'INSTALLATION ET D'OPÉRATION

CONFORME AUX LES NORMES NATIONALES AMÉRICAINES: ANSI Z21.50, CERTIFIÉ CANADIENNES: CSA 2.22 FOYER À GAZ VENTILÉ.

CERTIFIÉ POUR LE CANADA ET LES ÉTATS-UNIS SELON LES MÉTHODES ANSI/CSA.

## CONSIGNES DE SÉCURITÉ

### **AVERTISSEMENT**

Si ces instructions ne sont pas suivies à la lettre, un incendie ou une explosion pourraient s'ensuivre, causant des dommages matériels, des blessures corporelles ou des pertes de vie.

- N'entreposez pas et n'utilisez pas d'essence ou autres liquides et vapeurs inflammables à proximité de cet appareil ou tout autre appareil.
- QUE FAIRE SI VOUS DÉTECTEZ UNE ODEUR DE GAZ :
  - N'allumez aucun appareil.
  - Ne touchez à aucun interrupteur électrique; n'utilisez aucun téléphone dans votre immeuble.
  - Appelez immédiatement votre fournisseur de gaz d'un téléphone voisin. Suivez ses instructions.
  - Si vous ne pouvez pas rejoindre votre fournisseur de gaz, appelez le service des incendies.
- L'installation et l'entretien doivent être faits par un installateur qualifié, une agence d'entretien ou le fournisseur.

Cet appareil peut être installé dans une maison préfabriquée (mobile) déjà installée à demeure si les règlements locaux le permettent.

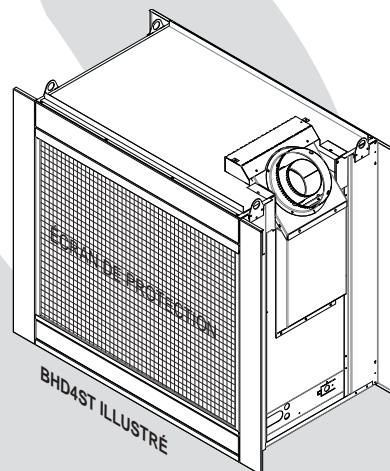
Cet appareil doit être utilisé uniquement avec le type de gaz indiqué sur la plaque signalétique. Cet appareil ne peut être converti à d'autres gaz, sauf si une trousse de conversion est utilisée.

Produit décoratif : Ne pas utiliser comme appareil de chauffage.

APPOSEZ L'ÉTIQUETTE DU NUMÉRO DE SÉRIE DU CARTON



**BHD4N**  
GAZ NATUREL  
**BHD4P**  
PROPANE



### **AVERTISSEMENT**

LA VITRE CHAUDE CAUSERA DES BRÛLURES.

NE PAS TOUCHER LA VITRE AVANT QU'ELLE AIT REFROIDI.

NE JAMAIS LAISSER LES ENFANTS TOUCHER LA VITRE.

Une barrière conçu à réduire le risque de brûlures à partir de la chaude la vitre est à condition que avec l'appareil et sera être installés.

Wolf Steel Ltd., 24 Napoleon Rd., Barrie, ON, L4M 0G8 Canada /  
103 Miller Drive, Crittenden, Kentucky, USA, 41030

Téléphone 705-721-1212 • Télécopieur 705-722-6031 • [www.napoleonfoyers.com](http://www.napoleonfoyers.com) • [ask@napoleon.on.ca](mailto:ask@napoleon.on.ca)

# TABLE DES MATIÈRES



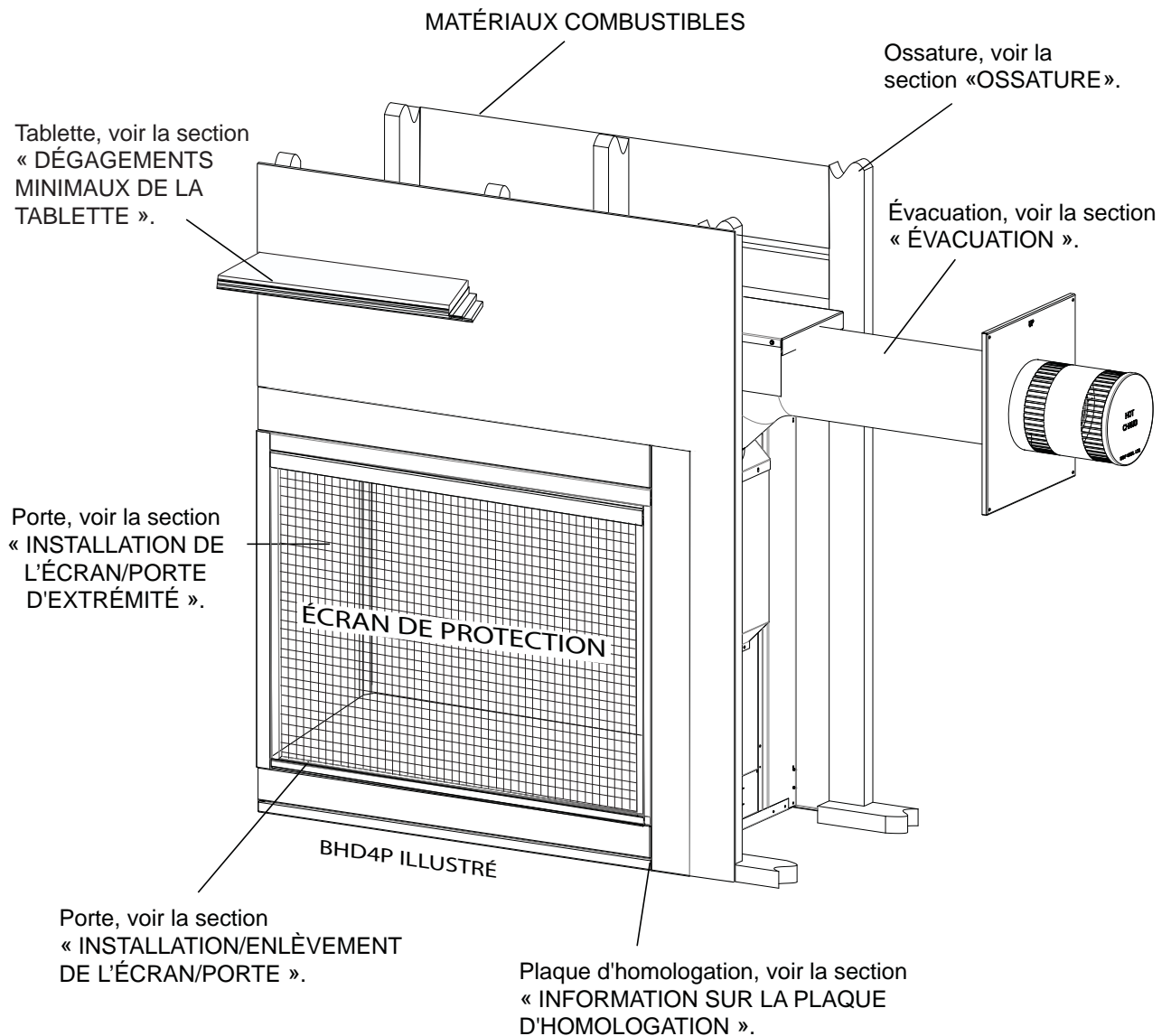
**NOTE:** L'icône du camera indique que les vidéos sont disponibles comme une référence supplémentaire, visitez <http://www.napoleonfireplaces.com/category/product-support/support-centre/>

<b>1.0</b>	VUE D'ENSEMBLE DE L'INSTALLATION	71
<b>2.0</b>	<b>INTRODUCTION</b>	<b>72</b>
2.1	DIMENSIONS	73
2.2	INSTRUCTIONS GÉNÉRALES	74
2.3	INFORMATION GÉNÉRALE	75
2.4	PLAQUE D'HOMOLOGATION / L'EMPLACEMENT D'INSTRUCTION D'ALLUMAGE	76
<b>3.0</b>	<b>ÉVACUATION</b>	<b>77</b>
3.1	LONGUEURS DES CONDUITS D'ÉVACUATION ET COMPOSANTS	78
3.2	INSTALLATIONS TYPIQUES D'ÉVÉNEMENTS	79
3.3	INSTALLATIONS PARTICULIÈRES D'ÉVÉNEMENTS	80
3.3.1	ENSEMBLE PÉRISCOPIQUE	80
3.4	EMPLACEMENTS ET DÉGAGEMENTS MINIMAUX DE LA TERMINAISON	81
3.5	CHARTRE D'APPLICATION DES ÉVACUATIONS	82
3.6	LÉGENDE	82
3.7	VALEURS DU COUDE EN LONGUEURS D'ÉVÉNEMENT	82
3.8	TERMINAISON HORIZONTALE	83
3.9	TERMINAISON VERTICALE	85
<b>4.0</b>	<b>INSTALLATION</b>	<b>87</b>
4.1	PROTECTION DU MUR ET DU PLAFOND	87
4.1.1	INSTALLATION HORIZONTALE	88
4.1.2	INSTALLATION VERTICALE	88
4.2	UTILISATION DE COMPOSANTS FLEXIBLES D'ÉVACUATION	89
4.2.1	INSTALLATION DE LA TERMINAISON HORIZONTALE	90
4.2.2	INSTALLATION DE LA TERMINAISON VERTICALE	91
4.2.3	RACCORDEMENT DES ÉVÉNEMENTS À L'APPAREIL	91
4.3	BRANCHEMENT DU GAZ	92
4.4	INSTALLATION DANS UNE MAISON MOBILE	92
4.5	PANNEAU D'ACCÈS POUR LA CONDUITE DE GAZ	93
<b>5.0</b>	<b>OSSATURE</b>	<b>94</b>
5.1	OSSATURE	95
5.1.1	OSSATURE DU MODÈLE BINAIRE	95
5.1.2	OSSATURE DU MODÈLE PÉNINSULE	95
5.2	DÉGAGEMENTS MINIMAUX AUX MATÉRIEAUX COMBUSTIBLES	96
5.3	INSTALLATION DU MATÉRIEAUX COMBUSTIBLE	97
5.3.1	L'AJUSTEMENT DE LA SUPPORT DE FINITIONS	98
5.4	MATÉRIEAUX DE FINITION INCOMBUSTIBLES	99
5.5	INSTALLATION EN ALCÔVE	100
5.6	DÉGAGEMENTS MINIMAUX DE LA TABLETTE	101
5.7	INSTALLATION DES SUPPORTS DE FIXATION	101
<b>6.0</b>	<b>FINITIONS</b>	<b>102</b>
6.1	RETRAIT DE L'ÉCRAN DE PROTECTION CÔTÉ ET L'INSTALLATION	102
6.2	RETRAIT DE L'ÉCRAN DE PROTECTION FIN ET L'INSTALLATION (SEULEMENT BHD4P)	103
6.3	INSTALLATION/ENLÈVEMENT DE LA PORTE	104
6.4	ENLÈVEMENT DE PANNEAU DE CONTRÔLE	105
6.5	ENLÈVEMENT DE LA PORTE D'EXTRÉMITÉ / INSTALLATION (SEULEMENT BHD4P)	105
6.6	INSTALLATION DES BASES DE PROTECTION (BHD4ST ET BHD4P SEULEMENT)	106
6.7	DISPOSITION DES BÛCHES (BHD4ST ET BHD4P SEULEMENT)	107
6.8	INSTALLATION DES BRAISES VITRIFIÉES	109
6.10	MISE EN PLACE DU LOGO	110
<b>7.0</b>	<b>BRANCHEMENT ÉLECTRIQUE</b>	<b>110</b>
7.1	BRANCHEMENT PAR CÂBLE	110
7.2	SCHÉMA DE CÂBLAGE DU RÉCEPTACLE	111
7.3	INSTALLATION DE LA SAUVEGARDE DE PILE	111
7.4	SCHÉMA	112
<b>8.0</b>	<b>INSTRUCTIONS DE FONCTIONNEMENT</b>	<b>113</b>
8.1	INSTRUCTIONS DE FONCTIONNEMENT - POUR VOTRE SÉCURITÉ LIRE CES INSTRUCTIONS AVANT DE FAIRE FONCTIONNER	113
8.2	INSTRUCTION D'ALLUMAGE	113
8.3	INTERRUPTEUR ANTICONDENSATION	114
<b>9.0</b>	<b>RÉGLAGES</b>	<b>115</b>
9.1	RÉGLAGE DE LA VEILLEUSE	115
9.2	RÉGLAGE DU VENTURI	115
9.3	CARACTÉRISTIQUES DE LA FLAMME	116
<b>10.0</b>	<b>ENTRETIEN</b>	<b>117</b>
10.1	ENTRETIEN ANNUEL	118
10.2	REMPACEMENT DE LA VITRE/PORTE	119
10.3	SOINS DE LA VITRE	119
10.4	ENLÈVEMENT DU BRÛLEUR	120
10.4.1	ENLÈVEMENT DU BRÛLEUR POUR LES BÛCHES	120
10.4.2	ENLÈVEMENT DU BRÛLEUR	120
10.4.3	ENLÈVEMENT DU BRÛLEUR POUR ROCHES	121
10.5	REMPACEMENT DE L'ASSEMBLAGE DE LA SOUPAPE	121
10.6	ÉTRANGLEMENTS DES ÉVÉNEMENTS VERTICAUX	121

**NOTE :** Les changements autres que de nature éditoriale sont dénotés par une ligne verticale dans la marge.

11.0	RECHANGES	122
12.0	VUE D'ENSEMBLE BHD4P	123
13.0	VUE D'ENSEMBLE BHD4ST	124
14.0	ACCESSORIES	125
15.0	BRÛLEUR VERRE (W100-0160)	126
16.0	BRÛLEUR POUR ROCHES (W100-0161)	127
17.0	BRÛLEUR VERRE DE L'ASSEMBLAGE DE LA SOUPAPE	128
18.0	BRÛLEUR POUR LES BÛCHES L'ASSEMBLAGE DE LA SOUPAPE	129
19.0	DÉPANNAGE	130
20.0	GARANTIE	133
21.0	HISTORIQUE D'ENTRETIEN	134
22.0	NOTES	135

## 1.0 VUE D'ENSEMBLE DE L'INSTALLATION



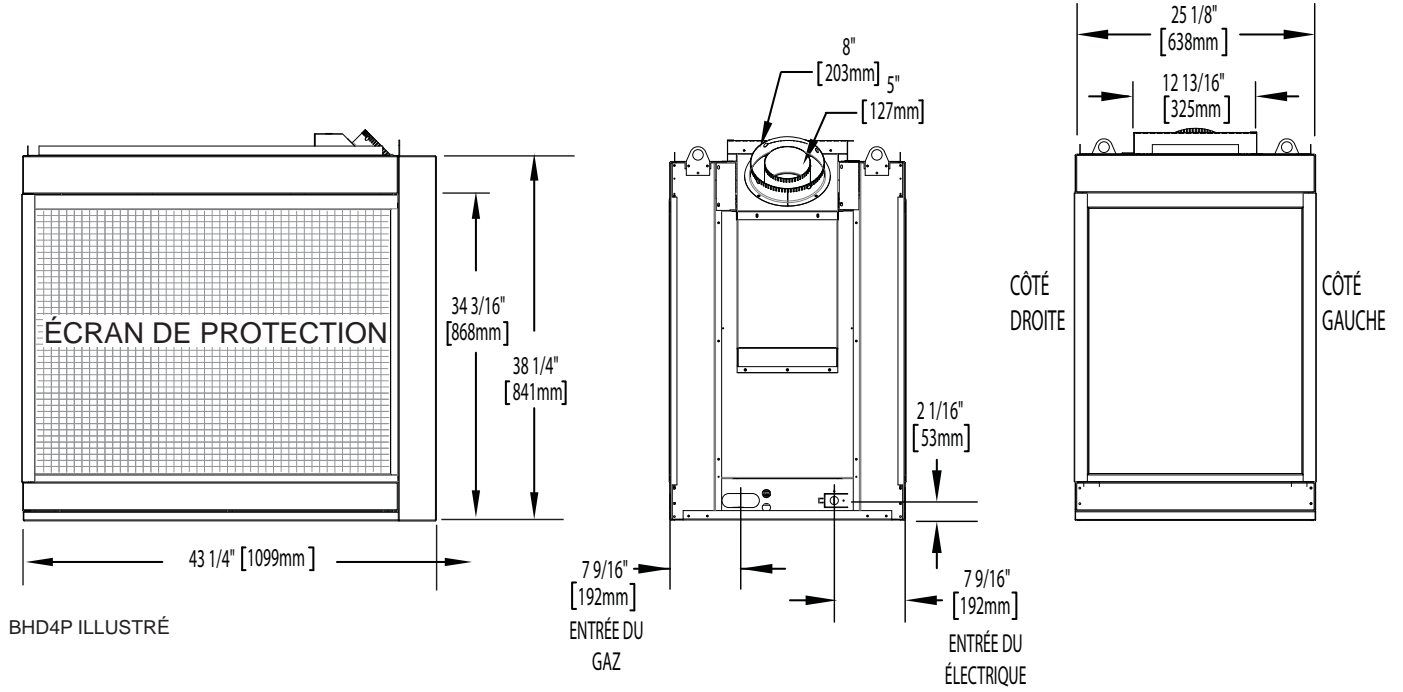
Les piles doivent être mises au rebut conformément aux lois et à la réglementation locales. Certaines piles peuvent être recyclées et acceptées dans votre centre de recyclage local. Renseignez-vous auprès de votre municipalité au sujet des directives de recyclage.

## ! AVERTISSEMENT

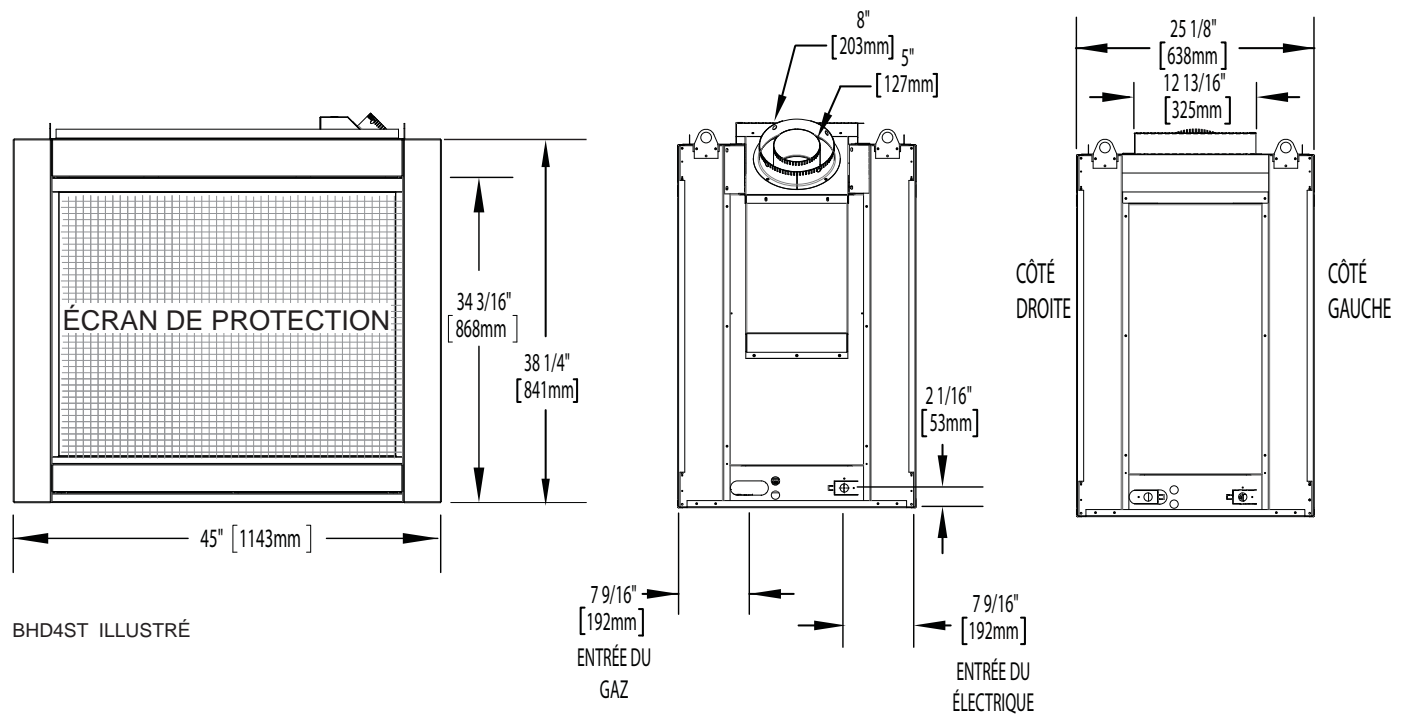
- **CET APPAREIL EST CHAUD LORSQU'IL FONCTIONNE ET PEUT CAUSER DE GRAVES BRÛLURES EN CAS DE CONTACT.**
- **TOUTE MODIFICATION APPORTÉE À CET APPAREIL OU AUX CONTRÔLES PEUT ÊTRE DANGEREUX ET EST INTERDIT.**
- Ne faites pas fonctionner l'appareil avant d'avoir lu et compris les instructions d'opération. Omettre d'utiliser l'appareil selon les instructions d'opération pourrait causer un incendie ou des blessures.
- Risque d'incendie ou d'asphyxie. Ne faites pas fonctionner l'appareil avec la vitre retirée.
- Ne branchez pas la soupape à du courant 110 volts.
- Risque de brûlures. L'appareil doit être éteint et refroidi avant d'effectuer un entretien.
- N'installez pas de composants endommagés ou incomplets ni des composants substitués.
- Risque de coupures et d'éraflures. Portez des gants protecteurs et des lunettes de sécurité lors de l'installation. Les bordures des pièces de métal peuvent être coupantes.
- Ne brûlez pas de bois ou autres matériaux dans cet appareil.
- **Les enfants et les adultes devraient être informés des dangers que posent les températures de surface élevées et se tenir à distance afin d'éviter des brûlures ou que leurs vêtements ne s'enflamment.**
- **Les jeunes enfants doivent être surveillés attentivement lorsqu'ils sont dans la même pièce que l'appareil. Les jeunes enfants et autres personnes à risque sont sujets aux brûlures accidentelles. Une barrière de protection est recommandée si des individus à risque se trouvent dans la maison. Afin de restreindre l'accès à l'appareil, installez une barrière de protection ajustable pour garder les jeunes enfants ou autres personnes à risque hors de la pièce et loin des surfaces chaudes.**
- **Les vêtements et autres matériaux combustibles ne doivent pas être posés sur l'appareil ou à proximité.**
- **En raison des températures élevées, l'appareil devrait être placé loin des endroits passants et loin des meubles et des rideaux.**
- Assurez-vous de disposer de mesures de sécurité adéquates pour empêcher les jeunes enfants de toucher aux surfaces chaudes.
- Même une fois que l'appareil est éteint, la vitre et/ou le pare-étincelles demeureront chauds pendant un temps prolongé.
- Consultez votre détaillant local de foyer pour connaître les grillages de sécurité et les écrans offerts pour protéger les enfants des surfaces chaudes. Ces grillages de sécurité et ces écrans doivent être fixés au plancher.
- **Tout grillages de sécurité, écrans ou barrière enlevés pour faire l'entretien devront être remis en place avant d'utiliser l'appareil.**
- Cet appareil est un appareil à gaz ventilé. Ne brûlez pas de bois ou autres matériaux dans cet appareil.
- Il est primordial de garder propres les compartiments de contrôle, les brûleurs, la soufflerie, les bouches d'air de l'appareil ainsi que le système d'évacuation. L'appareil et son système d'évacuation doivent être inspectés avant la première utilisation et au moins une fois l'an par un spécialiste en entretien. Un entretien plus fréquent pourrait être nécessaire en raison des peluches provenant des tapis, literie, etc. L'emplacement de l'appareil doit être gardé libre de tous matériaux combustibles, essence ou autres liquides et vapeurs inflammables.
- Cet appareil ne devra être modifié en aucun cas.
- Cet appareil ne doit pas être raccordé au conduit d'une cheminée desservant un autre appareil de chauffage à combustible solide.
- N'utilisez pas cet appareil si une partie quelconque a été submergée. Contactez immédiatement un technicien de service qualifié pour inspecter l'appareil et pour remplacer toute pièce du système de contrôle et du contrôle du gaz qui aurait été submergée.
- Ne pas opérer l'appareil lorsque la porte vitrée est enlevée, fissurée ou brisée. Le remplacement de la vitre devra être effectué par un technicien de service certifié ou qualifié.
- Ne frappez pas et ne claquez pas la porte vitrée de l'appareil.
- Les portes d'évacuation de pression doivent demeurer fermées pendant le fonctionnement de l'appareil afin d'empêcher les gaz de combustion contenant du monoxyde de carbone de s'infiltrer dans la maison. La température des gaz de combustion s'échappant par ces ouvertures peut aussi causer les matériaux combustibles avoisinants à surchauffer et à prendre feu.
- **Seules les portes/façades certifiées pour cet appareil peuvent être utilisées avec cet appareil.**
- Gardez les matériaux d'emballage hors de la portée des enfants et mettez ces matériaux au rebut de façon sécuritaire. Comme tous les emballages de plastique, ces matériaux ne sont pas des jouets et doivent demeurer hors de la portée des enfants et des bébés.
- Comme dans le cas de tout appareil à combustion, il est recommandé de faire inspecter et entretenir votre appareil régulièrement. De même, installez un détecteur de monoxyde de carbone dans la pièce pour vous protéger, ainsi que votre famille, contre les intoxications.
- Assurez-vous de respecter les dégagements aux matériaux combustibles lorsque vous installez un manteau ou des tablettes au-dessus de l'appareil. Les températures élevées sur le mur ou de l'air au-dessus de l'appareil peuvent faire fondre, décolorer ou endommager les décorations, les téléviseurs ou autres composants électroniques.
- **Une barrière conçu à réduire le risque de brûlures causées par le verre chaud est fourni avec l'appareil et sera installé.**
- **Si la barrière est endommagée, elle devra être remplacée par la barrière conçu par le fabricant pour cet appareil.**
- **L'installation et la réparation devraient être effectuées par un technicien qualifié. L'appareil et son système d'évacuation devraient être inspectés avant l'utilisation initiale et au moins une fois l'an par un professionnel qualifié. Un nettoyage plus réquent peut être requis en raison de la poussière excessive laissée par les moquettes, les couvertures, etc. Il est impératif que les compartiments de contrôle, le brûleur et les passages de circulation d'air soient gardés propres afin de fournir une combustion et une circulation d'air adéquates.**



2.1 DIMENSIONS



BHD4P ILLUSTRÉ



BHD4ST ILLUSTRÉ

FR

## 2.2 INSTRUCTIONS GÉNÉRALES

**! AVERTISSEMENT**

**ALLUMEZ TOUJOURS LA VEILLEUSE, QUE CE SOIT POUR LA PREMIÈRE FOIS OU LORSQUE L'APPROVISIONNEMENT EN GAZ EST ÉPUISÉ, AVEC LA PORTE VITRÉE OUVERTE OU RETIRÉE.**

**PRÉVOYEZ UN ACCÈS SUFFISANT POUR ENTREtenir ET OPÉRER L'APPAREIL. ASSUREZ-VOUS D'UNE QUANTITÉ SUFFISANTE D'AIR DE VENTILATION.**

**N'OBSTRUEZ JAMAIS L'OUVERTURE DE L'APPAREIL.**

**LES OBJETS PLACÉS DEVANT L'APPAREIL DOIVENT ÊTRE GARDÉS À UNE DISTANCE D'AU MOINS 48" (1219.2mm) DE LA FACE VITRÉE DE L'APPAREIL.**

**LES SURFACES AUTOUR ET SURTOUT AU-DESSUS DE L'APPAREIL PEUVENT DEVENIR CHAUDES. NE TOUCHEZ PAS L'APPAREIL QUAND IL FONCTIONNE.**

**RISQUE D'INCENDIE OU D'EXPLOSION.**

**LES PRESSIONS ÉLEVÉES ENDOMMAGERONT LA SOUPAPE. L'ALIMENTATION EN GAZ DOIT ÊTRE DÉBRANCHÉE PENDANT LES ESSAIS DE PRESSION DE CE SYSTÈME LORSQUE LES PRESSIONS D'ESSAI EXCÈDENT ½ LB/PO<sup>2</sup> (3,5 KPA). FERMEZ LA SOUPAPE D'ARRÊT MANUELLE PENDANT TOUT ESSAI DE PRESSION DU SYSTÈME D'ALIMENTATION EN GAZ LORSQUE LA PRESSION EST DE ½ LB/PO<sup>2</sup> (3,5 mb) OU MOINS.**

**N'UTILISEZ QUE LES ACCESSOIRES OPTIONNELS ET LES PIÈCES DE RECHANGE APPROUVÉS PAR WOLF STEEL POUR CET APPAREIL. L'UTILISATION D'ACCESSOIRES NON LISTÉS (SOUFFLERIE, PORTES, PERSIENNES, MOULURES, COMPOSANTS DE GAZ, COMPOSANTS D'ÉVACUATION, ETC.) POURRAIT ÊTRE NON SÉCURITAIRE ET ANNULERA LA GARANTIE ET LA CERTIFICATION.**

**CET APPAREIL AU GAZ DEVRAIT ÊTRE INSTALLÉ ET ENTRETENU PAR UN INSTALLATEUR QUALIFIÉ** en se conformant aux codes locaux. Les pratiques d'installation peuvent varier d'une région à l'autre. Il est donc important de connaître les normes spécifiques qui s'appliquent à votre région. Par exemple dans l'état du Massachusetts:

- Ce produit doit être installé par un plombier certifié ou un installateur pour le gaz lorsque installé dans le Commonwealth du Massachusetts.
- Le registre de l'appareil doit être enlevé ou bloqué en le soudant en position ouverte avant d'installer un encastré ou un ensemble de bûches à gaz.
- La soupape d'arrêt doit être un robinet à gaz avec une poignée en T.
- Le raccord flexible ne doit pas mesurer plus que 36 pouces (914.4mm).
- Un détecteur de monoxyde de carbone est requis dans toutes les pièces contenant des appareils alimentés au gaz.
- L'appareil n'est pas approuvé pour installation dans une chambre à coucher ou une salle de bain à moins d'être un appareil avec une chambre de combustion scellée à évacuation directe.

L'installation doit se conformer aux codes locaux. En l'absence de codes locaux, l'installation doit être conforme au Code d'installation du gaz naturel et du propane CSA B149.1 au Canada ou au National Fuel Gas Code, ANSI Z223.1/ NFPA 54 aux États-Unis. Cet appareil convient pour installation dans une maison mobile si l'installation est conforme aux normes actuelles pour les maisons mobiles équipées au gaz CAN/CSA Z240 SÉRIE MM au Canada ou selon les normes ANSI Z223.1 et NFPA 54 aux États-Unis.

Tant que les distances requises pour les dégagements aux matériaux combustibles sont respectées, le meilleur endroit pour un appareil est le centre de la maison, car ceci permet une meilleure utilisation de la chaleur fournie. L'emplacement des fenêtres, des portes et la circulation dans la pièce où se trouve l'appareil devront être pris en considération. Si possible, vous devriez choisir un emplacement où le système d'évent peut passer à travers la maison sans avoir à découper des solives de plancher ou de toit.

Si l'appareil est installé directement sur un tapis, sur une surface de vinyle ou tout autre revêtement de plancher combustible autre que le bois, l'appareil devra être monté sur un panneau continu de métal ou de bois se prolongeant sur toute la largeur et la profondeur.

Certains appareils ont une soufflerie ou un ensemble de deux souffleries optionnel. Si la soufflerie ou l'ensemble de deux souffleries optionnel est installé, la boîte de dérivation doit être branchée au circuit électrique et mise à la terre conformément aux codes locaux. Utilisez la version courante du Code canadien de l'électricité CSA C22.1 au Canada ou le National Electrical Code ANSI/NFPA 70 aux États-Unis.

**NATIONAL  
FIREPLACE  
INSTITUTE**



**CERTIFIED**  
www.nficertified.org

Nous suggérons que nos appareils au gaz soient installés et que l'entretien soit effectué par des professionnels certifiés par le National Fireplace Institute® (NFI) comme spécialiste du gaz NFI.

## 2.3 INFORMATION GÉNÉRALE

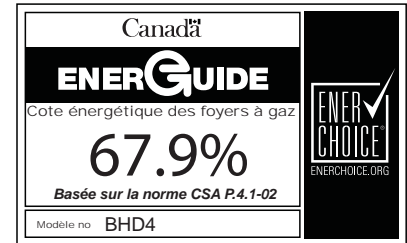
**POUR VOTRE SATISFACTION, LES SYSTÈMES DE BRÛLEUR ONT ÉTÉ MIS À L'ESSAI POUR CONFIRMER LEUR BON FONCTIONNEMENT ET LEUR QUALITÉ!**

BHD4		
	GN	PL
Altitude (PI)	0-4,500	0-4500
Débit maximal (BTU/h)	30,000	30,000
Efficacité (souf. allumée)	23,000	23,000
Pression minimale d'alimentation en gaz	4.5" de colonne d'eau (11mb)	11" de colonne d'eau (27mb)
Pression maximale d'alimentation en gaz	7" de colonne d'eau (17mb)	13" de colonne d'eau (32mb)
Pression au collecteur (lorsque le gaz circule)	3.5" de colonne d'eau (9mb)	10" de colonne d'eau (25mb)

Lorsque l'appareil est installé à des élévations dépassant 4500 pieds (1372mm), et en l'absence de recommandations spécifiques de l'autorité compétente locale, l'indice certifié du débit à haute altitude devra être réduit au taux de 4 % pour chaque 1000 pieds (305mm) supplémentaires.

Cet appareil est approuvé pour installation dans les salles de bain, les chambres à coucher ou les chambres studio et convient pour installation dans les maisons mobiles.

Aucune alimentation électrique externe (110 volts ou 24 volts) n'est requise pour le fonctionnement du système. Les bruits causés par l'expansion et la contraction lors des cycles de chauffage et de refroidissement sont tout à fait normaux et il faut s'y attendre.



Si vous utilisez l'un des ensembles de moulures ou de contours Wolf Steel, suivez les instructions relatives à l'ossature et les instructions de finition pour l'enlèvement de l'extension supérieure.

**NOTE : L'emballage de protection sur les pièces plaquées s'enlève mieux lorsque l'assemblage est à température ambiante ou lorsqu'il est chauffé avec un séchoir à cheveux ou une autre source de chaleur similaire.**

2.4 PLAQUE D'HOMOLOGATION / L'EMPLACEMENT D'INSTRUCTION D'ALLUMAGE

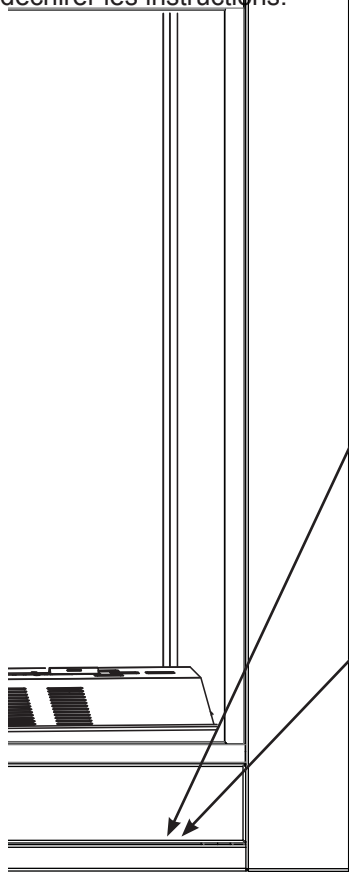
**AVERTISSEMENT**

**LAISSER REFROIDIE L'APPAREIL AVANT D'EFFECTUER UN ENTRETIEN OU UN NETTOYAGE**

**NOTE:** L'écran doit être enlevée pour accéder plaque d'homologation / instruction d'allumage

La plaque d'homologation et les instructions d'allumage sont fixées au câble et situé derrière le panneau de l'appareil de contrôle. Soulevez le PANNEAU D'ACCÈS et le panneau du contrôle et loin de l'appareil. Avec le câble à la fin de l'ampoule de la fente, remuer la plaque signalétique sur en faisant attention de ne pas déchirer les instructions.

FR



**CERTIFIED UNDER / HOMOLOGUE SELON LES NORMES: ANSI Z21.50B - 2009 • CSA 2.22B - 2009 VENTED GAS FIREPLACE / FOYER À GAZ VENTILÉ**

VENTED GAS FIREPLACE, APPROVED FOR BEDROOM, BATHROOM AND LIVING ROOM INSTALLATION. SUITABLE FOR MOBILE HOME INSTALLATION IF INSTALLED IN ACCORDANCE WITH THE CURRENT STANDARD CAN/CSA 2.40M1 SERIES GAS EQUIPPED MOBILE HOMES, IN CANADA OR IN THE UNITED STATES THE MANUFACTURED HOME CONSTRUCTION AND SAFETY STANDARD, TITLE 24 CHAPTER 2200. WHEN THIS US STANDARD IS NOT APPLICABLE USE THE STANDARD FOR FIRE SAFETY CRITERIA FOR MANUFACTURED HOME INSTALLATIONS, SITES AND COMMUNITIES, ANSIPRANSO 1000 (VERSION 2000). THIS APPLIANCE IS NOT TO BE USED IN A BATHROOM OR IN A ROOM WITH A BATH. THIS APPLIANCE IS NOT TO BE USED IN A ROOM WITH A BATH. THIS APPLIANCE IS NOT TO BE USED IN A ROOM WITH A BATH. THIS APPLIANCE IS NOT TO BE USED IN A ROOM WITH A BATH.

**CERTIFIED FOR / CERTIFIÉ**

CONFORME AUX EXIGENCES DE LA NORME CAN/CSA 2.40M1 SERIE DE MAISONS MOBILES EQUIPEES AU GAZ EN VUEUR AU CANADA OU AUX ETATS UNIS DE LA NORME DE SECURITE ET DE CONSTRUCTION DE MAISONS MANUFACTURIERES, TITRE 24 CH. SECTION 2200, DANS LE CAS OU CETTE NORME D'ETATS UNIS NE PEUT ETRE APPLIQUEE, SE REFERER A LA NORME RELATIVE AUCITERIE DE SECURITE POUR LE CANADA, USA. MESURES DE SECURITE CONTRE L'INCENDIE POUR LES INSTALLATIONS DANS LES MAISONS MANUFACTUREES, LES SITES ET LES COMMUNAUTES, ANSIPRANSO 1000 (VERSION 2000). ACCORDANCE WITH LOCAL CODES, IF ANY. IF NONE, FOLLOW THE CURRENT ANSI Z221.1 OR CSA B149, INSTALLATION CODES. INSTALLER L'APPAREIL SELON LES CODES D'INSTALLATION ANSI Z221.1 OR CSA B149 EN VUEUR.

**THIS VENTED GAS FIREPLACE IS NOT FOR USE WITH AIR FILTERS. NOT FOR USE WITH SOLID FUEL. NOT FOR USE WITH GLASS DOORS CERTIFIED WITH THIS UNIT ONLY.**

**WARNING: DO NOT ADD ANY MATERIAL TO THE APPLIANCE, WHICH WILL COME IN CONTACT WITH THE FLAMES, OTHER THAN THAT SUPPLIED BY THE MANUFACTURER WITH THE APPLIANCE. THIS IS A HEATING APPLIANCE. NOT FOR USE AS A DECORATIVE PRODUCT. NOT FOR USE AS A HEATING APPLIANCE.**

**MINIMUM CLEARANCE TO COMBUSTIBLE MATERIALS:**

TOP	0"
FLOOR	0"
SIDES	0"
BACK	0"
VENT TOP	3"
VENT SIDES & BOTTOM	2"
VERTICAL VENT MANTEL	1"
VERTICAL VENT	8"

**TOP SIDES & BACK: PER STAND OFF SPACERS FOR FRAMING MATERIALS. FOR FINISHING MATERIALS SEE OWNER'S MANUAL. MAXIMUM HORIZONTAL EXTENSION / L'EXTENSION HORIZONTALE MAXIMALE: 2". SEE INSTRUCTION MANUAL FOR GREATER EXTENSIONS. SEE OWNER'S INSTRUCTION MANUAL FOR MINIMUM AND MAXIMUM LENGTHS.**

**ELECTRICAL RATING: 115V, 60HZ, LESS THAN 12 AMPERES**

**WOLF STEEL LTD.**  
24 NAPOLEON ROAD, BARRIE, ON, L4M 0G8 CANADA SERIAL NUMBER / NO. DE SERIE: BHD4

**MODEL NATURAL GAS / GAZ NATURAL**

<input type="checkbox"/> BHD4N	0-4500FT (0-1370M) 30,000 BTU/H 72,000 BTU/H	ALTITUDE / ELEVATION INPUT ALIMENTATION REDUCED INPUT ALIMENTATION REDUCITE	<input type="checkbox"/> BCHD4N	0-4500FT (0-1370M) 30,000 BTU/H 72,000 BTU/H	MINIMUM SUPPLY PRESSURE / PRESSION D'ALIMENTATION MINIMALE PRESSION D'ALIMENTATION MAXIMALE
<input type="checkbox"/> BHD4P	10" WATER COLUMN / UNE COLONNE D'EAU		<input type="checkbox"/> BHD4P	11" WATER COLUMN / UNE COLONNE D'EAU	

**MODEL PROPANE / PROPANE MODELE**

**CET FOYER À GAZ VENTILÉ N'EST PAS POUR L'USAGE AVEC LES FILTRES D'AIR. UN COMBUSTIBLE SOLIDE NE PAS ETRE UTILISE AVEC CET APPAREIL. UTILISER AVEC LES PORTE VITRES HOMOLOGUEES SEULEMENT AVEC CETTE UNITE.**

**AVERTISSEMENT: N'AJOUTEZ PAS A L'APPAREIL D'AUTRES MATERIAUX EN CONTACT AVEC LES FLAMMES AUTRES QUE CEUX QUI SONT FOURNIS AVEC CET APPAREIL PAR LE FABRICANT. PROHIBÉ DÉCORATIF: NE PAS UTILISER COMME DÉCORATION. NE PAS UTILISER COMME DÉCORATION.**

**DÉGAGEMENTS MINIMAUX DES MATERIAUX COMBUSTIBLES:**

DESSUS	0"
PLANCHER	0"
CÔTES	0"
ARRIÈRE	0"
DESSUS DU CONDUIT D'ÉVENT	3"
CÔTES & DESSUS DU CONDUIT D'ÉVENT	2"
CONDUIT D'ÉVENT VERTICAL	1"
TABLETTE	8"

**CAUTION: HOT WHILE OPERATING. DO NOT TOUCH. KEEP CHILDREN, CLOTHING, FURNITURE, GASOLINE OR OTHER FLAMMABLE VAPORS AWAY.**

**AVERTISSEMENT: L'APPAREIL EST CHAUD PENDANT SON FONCTIONNEMENT. LES ENFANTS, LES VÊTEMENTS, LES MEUBLES, L'ESSENCE ET AUTRES LIQUIDES QUI ÉMETTENT DES GAZ VOLATILS INFLAMMABLES DOIVENT ÊTRE TENUS ÉLOIGNÉS DE L'APPAREIL.**

**FOR YOUR SAFETY: DO NOT STORE OR USE GASOLINE OR OTHER FLAMMABLE VAPORS AND LIQUIDS IN VICINITY OF THIS OR ANY OTHER APPLIANCE.**

**CAUTION: DO NOT OPERATE THE FIREPLACE WITH THE GLASS REMOVED, CRACKED OR BROKEN. REPLACEMENT OF THE GLASS SHOULD BE DONE BY A LICENSED OR QUALIFIED PERSON.**

**POUR VOTRE SECURITE: NE PAS ENTREPOSER NI UTILISER D'ESSENCE NI D'AUTRES VAPEURS OU LIQUIDES INFLAMMABLES DANS LE VOISINAGE DE CET APPAREIL OU DE TOUT AUTRE APPAREIL.**

**AVERTISSEMENT: NE PAS UTILISER L'APPAREIL SI LE PANNEAU FRONTAL EN VERRE N'EST PAS EN PLACE, EST CRAQUE OU BRISÉ. CONFIEZ LE REMPLACEMENT DU PANNEAU À UN TECHNICIEN AGRÉÉ.**

**WARNING: IMPROPER INSTALLATION, ADJUSTMENT, ALTERATION, SERVICE OR MAINTENANCE CAN CAUSE PROPERTY DAMAGE, PERSONAL INJURY OR LOSS OF LIFE. REFER TO OWNER'S MANUAL. INSTALLATION AND SERVICE MUST BE PERFORMED BY A QUALIFIED INSTALLER, SERVICE AGENCY OR THE GAS SUPPLIER.**

**ATTENTION: UN'INSTALLATION OU UNE MODIFICATION INAPPROPRIÉE DU RÉGLAGE, DU SERVICE ET DE L'ENTRETIEN POURRAIENT ÊTRE LA CAUSE DE DOMMAGES À LA PROPRIÉTÉ DE BLESSURES CORPORELLES OU MÊME LA MORT. CONSULTER LE MANUEL D'INFORMATION, L'INSTALLATION ET LE SERVICE DOIVENT ÊTRE EXÉCUTÉS PAR UN INSTALLATEUR QUALIFIÉ POUR LE AZ, UNE ENTREPRISE DE SERVICE OU LE FOURNISSEUR DE GAZ SEULEMENT.**

**KEEP BURNER AND CONTROL COMPARTMENT CLEAN. SEE INSTALLATION AND OPERATING INSTRUCTIONS MANUAL. APPLIANCE NEEDS FRESH AIR FOR SAFE OPERATION AND MUST BE INSTALLED WITH ADEQUATE PROVISIONS FOR COMBUSTION AND VENTILATION AIR.**

**GARDEZ LE BRULEUR ET LE COMPARTIMENT DES CONTRÔLES PROPRES. CONSULTEZ LE MANUEL D'INFORMATION ET D'INSTALLATION, PAR MESURE DE SECURITE, CET APPAREIL DOIT ETRE ALIMENTE EN AIR FRAIS ET AVEC SUFFISANT D'AIR COMBURANT ET DE VENTILATION.**

**INSTALLATEUR:** Vous êtes responsable de cocher les cases appropriées sur la plaque d'homologation selon le modèle, l'évacuation et le type de gaz de l'appareil.

Cette illustration est à titre de référence seulement. Consultez la plaque d'homologation pour obtenir l'information précise.

**NOTE:** Le plaque d'homologation doit rester avec l'appareil à tout le temps. Il ne doit pas être enlevé.

## 3.0 ÉVACUATION

### AVERTISSEMENT

**RISQUE D'INCENDIE. CONSERVEZ LES DÉGAGEMENTS NÉCESSAIRES AU CONDUIT D'ÉVENT ET À L'APPAREIL.**

**SI LE SYSTÈME D'ÉVENT EST FOURNI AVEC DES ESPACEURS, LES COURSES HORIZONTALES ET VERTICALES DU SYSTÈME DOIVENT ÊTRE SUPPORTÉES À TOUS LES 3 PI (0,9m). UTILISEZ DES SUPPORTS OU DES ATTACHES INCOMBUSTIBLES ÉQUIVALENTS AFIN DE MAINTENIR LE DÉGAGEMENT AUX MATÉRIAUX COMBUSTIBLES. UTILISEZ L'ENSEMBLE DE SUPPORT MURAL WOLF STEEL W010-0067 OU DES SUPPORTS INCOMBUSTIBLES ÉQUIVALENTS AFIN DE CONSERVER LE DÉGAGEMENT MINIMAL AUX MATÉRIAUX COMBUSTIBLES POUR LES COURSES VERTICALES ET HORIZONTALES. DES ESPACEURS SONT FIXÉS AU CONDUIT INTÉRIEUR À INTERVALLES PRÉDÉTERMINÉS AFIN DE GARDER UN ESPACE VIDE AVEC LE CONDUIT EXTÉRIEUR. POUR QUE LE FONCTIONNEMENT SOIT SÉCURITAIRE, UN ESPACE VIDE EST REQUIS. UN ESPACEUR EST REQUIS AU DÉBUT, AU MILIEU ET À LA FIN DE CHAQUE COUDE AFIN DE MAINTENIR CET ESPACE VIDE. N'ENLEVEZ PAS CES ESPACEURS.**

**CET APPAREIL UTILISE UN SYSTÈME DE CONDUITS DE 5" (127MM) POUR L'ÉVACUATION ET DE 8" (203,2MM) POUR LA PRISE D'AIR.**

**Veillez consulter la section qui correspond à votre installation.**

Afin d'assurer un fonctionnement sécuritaire et adéquat de l'appareil, vous devez observer les instructions d'évacuation à la lettre. Un changement à la longueur verticale minimale de l'évacuation pourrait entraîner des problèmes d'allumage du brûleur et/ou des accumulations de carbone. Lorsque les configurations de l'évacuation sont à l'extrême, laissez plusieurs minutes (5-15) à la flamme pour se stabiliser après l'allumage. Prévoyez un moyen d'inspecter visuellement le raccord de l'évent à l'appareil après que ce dernier a été installé. Utilisez un espaceur coupe-feu, un protecteur de conduit d'évacuation ou un écran thermique de grenier lorsque les murs intérieurs, le plancher ou le plafond sont traversés.

**NOTE : Si pour une raison quelconque le système d'évents de prise d'air est démonté, réinstallez-le selon les instructions fournies dans l'installation initiale.**

**NOTE : Cet appareil doit être installé de manière à ce que le conduit d'évacuation et de prise d'air se prolongent sur toute la longueur de la cheminée. Toute autre méthode d'installation telle que d'utiliser la cheminée comme partie du système d'évent est interdite.**

7.2C

FR

### 3.1 LONGUEURS DES CONDUITS D'ÉVACUATION ET COMPOSANTS

Utilisez uniquement des composants d'évacuation Wolf Steel, Simpson Dura-Vent, Selkirk Direct Temp, American Metal Amerivent ou Metal-Fab. Les minimums et maximums des longueurs d'évent, pour les installations verticales et horizontales, et les emplacements des terminaisons pour les deux systèmes sont précisés dans ce manuel et doivent être respectés. Pour le Simpson Dura-Vent, le Selkirk Direct Temp, l'American Metal Amerivent et le Metal-Fab, suivez la procédure d'installation fournie avec les composants d'évacuation.

Un adaptateur de départ doit être utilisé avec les systèmes d'évacuation suivants et peut être acheté chez le fournisseur correspondant :

PIÈCE	5"/8"	FOURNISSEUR	SITE WEB
Duravent	W175-0170	Wolf Steel	www.duravent.com
Amerivent	5DSC-N2	American Metal	www.americanmetalproducts.com
Direct Temp	5DT-AA	Selkirk	www.selkirkcorp.com
SuperSeal	5DDA	Metal-Fab	www.mtlfab.com

**Pour le Simpson Dura-Vent, le Selkirk Direct Temp, l'American Metal Amerivent et le Metal-Fab, suivez la procédure d'installation se trouvant sur le site Internet du fournisseur.**

Pour les systèmes d'événements dont le conduit intérieur d'évacuation possède déjà des joints scellés, seuls les joints du conduit extérieur de prise d'air doivent être scellés avec un scellant de silicone rouge à haute température (RTV). Ce même scellant peut être utilisé sur les joints des conduits intérieurs et extérieurs de tous les autres systèmes d'événements approuvés à l'exception du raccordement du conduit d'évacuation à la buse de l'appareil qui doit être scellé avec le scellant noir à haute température Mill Pac.

Lorsque vous utilisez les composants d'évacuation Wolf Steel, n'utilisez que des composants rigides/flexibles d'évacuation Wolf Steel conjointement avec les ensembles de terminaison suivants : ensemble de terminaison murale **GD422R-1**, ensemble de terminaison pour toit de pente 1/12 à 7/12 **GD410**, ensemble de terminaison pour toit de pente 8/12 à 12/12 **GD411**, ensemble de terminaison pour toit plat **GD412** ou ensemble périscopique **GD401** (pour pénétration des murs sous le niveau du sol). Lorsque vous utilisez des conduits flexibles conjointement avec les différentes terminaisons, utilisez l'ensemble d'événements de 5 pieds (1,5m) **GD420** ou l'ensemble d'événements de 10 pieds (3,1m) **GD430**.

**Pour une performance optimale de l'appareil et une apparence optimale des flammes, gardez la longueur des événements et le nombre de coudes au minimum.**

**La prise d'air de la terminaison extérieure doit demeurer dégagée en tout temps. Vérifiez la prise d'air de la terminaison au moins une fois l'an pour vous assurer qu'elle n'est pas obstruée ni endommagée.**

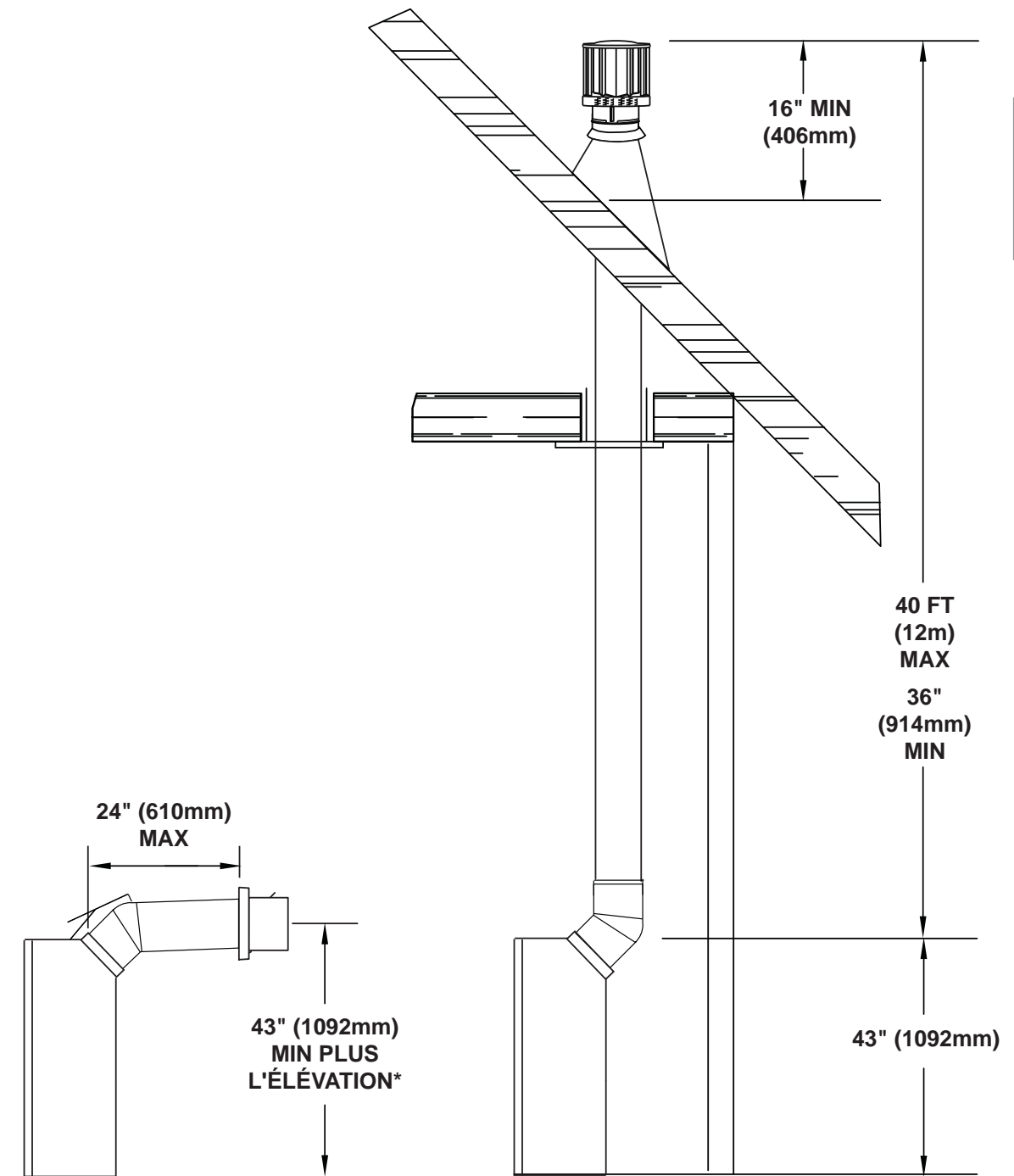
**Les composants rigides et flexibles ne doivent pas être combinés. Les composants d'évacuation de différents fabricants ne doivent pas être combinés.**

Ces ensembles d'événements permettent soit une évacuation verticale, soit une évacuation horizontale de l'appareil. La longueur horizontale maximale est de 20 pieds (6,1m). La hauteur totale permise pour un événement vertical est de 40 pieds (12,2m). Lorsque vous utilisez des composants flexibles, le nombre maximal de raccords est de deux horizontalement ou trois verticalement (excluant les raccords à l'appareil et à la section de terminaison).

Toutes les courses horizontales de l'événement peuvent avoir une élévation de 0" (0mm) par pied/mètre. Toutefois, pour une performance optimale, toutes les courses horizontales devraient avoir une élévation minimale de 1/4" (6,4mm) par pied/mètre lorsque vous utilisez des composants flexibles d'évacuation. Afin d'assurer un fonctionnement sécuritaire et adéquat de l'appareil, vous devez observer les instructions d'évacuation à la lettre.

Une terminaison ne doit pas être installée directement au-dessus d'un trottoir ou d'une entrée pavée, située entre deux maisons unifamiliales et servant aux deux maisons. Les codes ou réglementations locaux peuvent exiger des dégagements différents. Ne laissez pas le conduit intérieur se tasser contre les courses horizontales ou verticales et les coudes. Gardez-le tendu. Pour que le fonctionnement soit sécuritaire, un espace vide de 1 1/4" (31,8mm) est requis tout autour, entre le conduit intérieur et le conduit extérieur.

## 3.2 INSTALLATIONS TYPIQUES D'ÉVENTS



La course horizontale doit être conservée à un maximum de 20 pieds (6m). Si une course horizontale de 20 pieds (6m) est requise, l'appareil devra avoir une élévation verticale immédiatement à la sortie de l'appareil d'un minimum de 57 pouces (1448mm).

Quand elle se termine verticalement, l'élévation verticale est d'un minimum de 36 pouces (914mm) et d'un maximum de 40 pieds (12m) au-dessus de l'appareil.

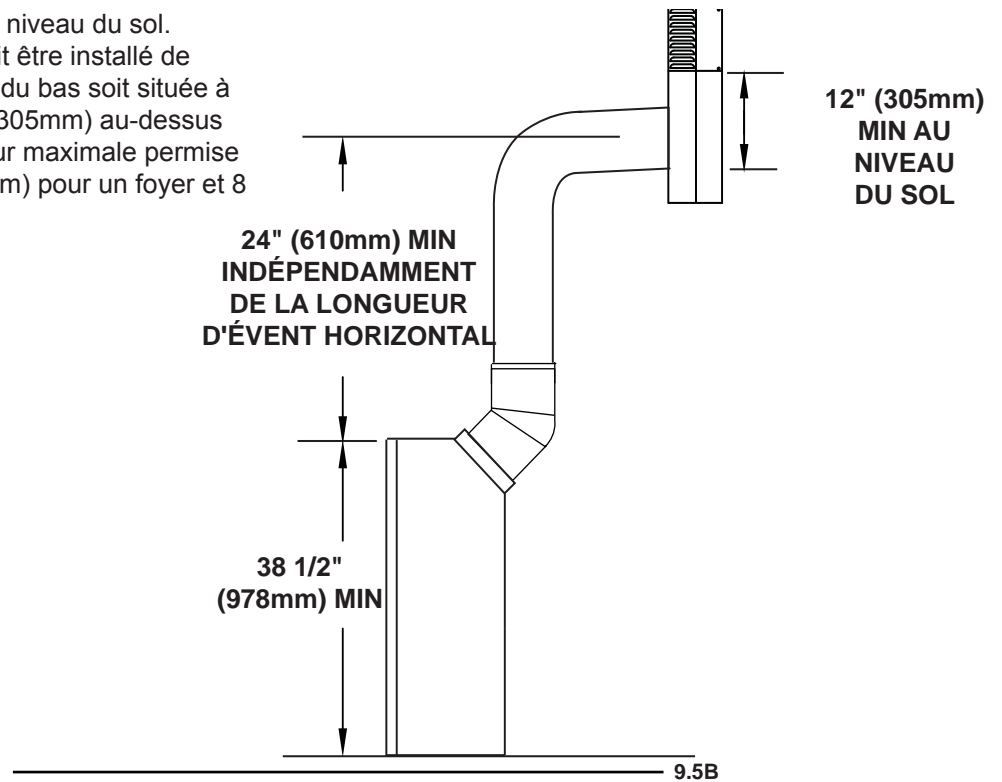
**Sur toutes les courses horizontales, assurez-vous que la pente des conduits d'évent ne soit pas descendante.**

\* Voir la section « ÉVACUATION ».

## 3.3 INSTALLATIONS PARTICULIÈRES D'ÉVENTS

## 3.3.1 ENSEMBLE PÉRISCOPIQUE

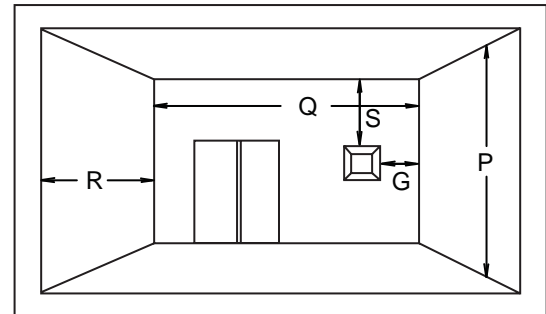
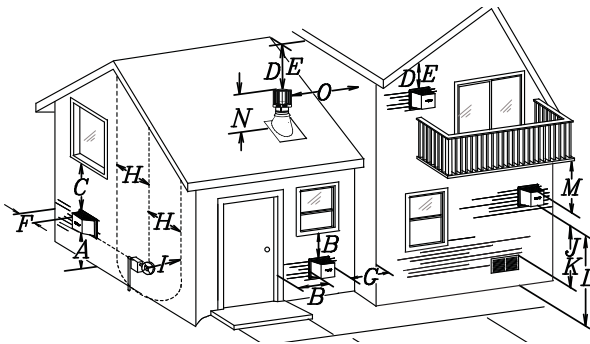
la terminaison au-dessus du niveau du sol.  
L'ensemble périscopique doit être installé de façon à ce que la fente d'air du bas soit située à un minimum de 12 pouces (305mm) au-dessus du niveau du sol. La longueur maximale permise de l'évent est de 10 pieds (3m) pour un foyer et 8 pieds (2,4m) pour un poêle.





## 3.4 EMBLEMES ET DÉGAGEMENTS MINIMAUX DE LA TERMINAISON

## APPLICATIONS POUR BALCON COUVERT ††\*



$$Q_{\text{MIN}} = 3 \text{ pieds (0,9m)} \quad R_{\text{MAX}} = 2 \times Q_{\text{RÉELLE}} \quad R_{\text{MAX}} \leq 15 \text{ pieds (4,6m)}$$

INSTALLATION			
	CANADA	É.-U.	
A	12" (304,8mm)	12" (304,8mm)	Dégagement au-dessus du sol, d'une véranda, d'une terrasse en bois ou d'un balcon.
B	12" (304,8mm) <sup>Δ</sup>	9" (228,6mm) <sup>Δ</sup>	Dégagement des fenêtres ou des portes qui ouvrent.
C	12" (304,8mm)*	12" (304,8mm)*	Dégagement des fenêtres fermées en permanence.
D	18" (457,2mm)**	18" (457,2mm)**	Dégagement vertical d'un soffite ventilé situé au-dessus de la terminaison si la distance horizontale est de moins de 2' (0,6m) de la ligne médiane de la terminaison.
E	12" (304,8mm)**	12" (304,8mm)**	Dégagement d'un soffite non ventilé.
F	0" (0mm)	0" (0mm)	Dégagement des murs faisant coin extérieur.
G	0" (0mm)***	0" (0mm)***	Dégagement des murs extérieurs incombustibles faisant coin intérieur ou aux obstructions incombustibles (cheminée, etc.).
	2" (50,8mm)***	2" (50,8mm)***	Dégagement des murs extérieurs combustibles faisant coin intérieur ou aux obstructions combustibles (habillage extérieur, etc.).
H	3' (0,9m)	3' (0,9m)****	Dégagement horizontal de chaque côté depuis la ligne verticale tirée du centre d'un ensemble de régulateur/compteur pour une distance verticale maximale de 15' (4,6m).
I	3' (0,9m)	3' (0,9m)****	Dégagement de l'évent du régulateur.
J	12" (304,8mm)	9" (228,6mm)	Dégagement d'une prise d'air de ventilation non mécanique de la maison ou d'une prise d'air de combustion de tout autre appareil.
K	6" (1,8m)	3' (0,9m) †	Dégagement d'une prise d'air mécanique.
L	7' (2,1m) ‡	7' (2,1m) ****	Dégagement au-dessus d'un trottoir ou d'une entrée pavée situés sur une propriété publique.
M	12" (304,8mm) ††	12" (304,8mm)****	Dégagement sous une véranda ou une terrasse en bois.
N	16" (406,4mm)	16" (406,4mm)	Dégagement au-dessus du toit.
O	2' (0,6m) †*	2' (0,6m) †*	Dégagement des murs adjacents, incluant les maisons voisines.
P	8' (2,4m)	8' (2,4m)	Le toit doit être incombustible et sans ouvertures.
Q	3' (0,9m)	3' (0,9m)	Voir le tableau pour les dimensions d'un mur plus large
R	6' (1,8m)	6' (1,8m)	Voir le tableau pour les dimensions d'un mur plus profond. La terminaison ne doit pas être installée sur quelconque mur ayant une ouverture entre la terminaison et le côté ouvert de la structure.
S	12" (304,8mm)	12" (304,8mm)	Dégagement sous un balcon couvert.

Δ Pour les structures comportant trois murs et un toit, la terminaison doit être située à plus de 6 pieds (1,8m) sous une fenêtre s'ouvrant sur un plan horizontal.

\* Recommandé afin de prévenir la formation de buée dans les fenêtres et les cassures thermiques.

\*\* Il est recommandé d'utiliser un protecteur de chaleur et de maximiser la distance au soffite de plastique.

\*\*\* L'ensemble périscopique requiert un dégagement minimal de 18 pouces (457,2m) d'un mur extérieur faisant coin intérieur.

\*\*\*\* Ceci est une distance recommandée. Vérifiez les codes locaux pour connaître les contraintes additionnelles.

† Trois pieds au-dessus si la distance horizontale est de moins de 10 pieds (3,1m).

‡ Une terminaison d'évacuation ne doit pas être installée à un endroit où elle pourrait causer une formation dangereuse de givre ou de glace sur les surfaces d'une propriété adjacente.

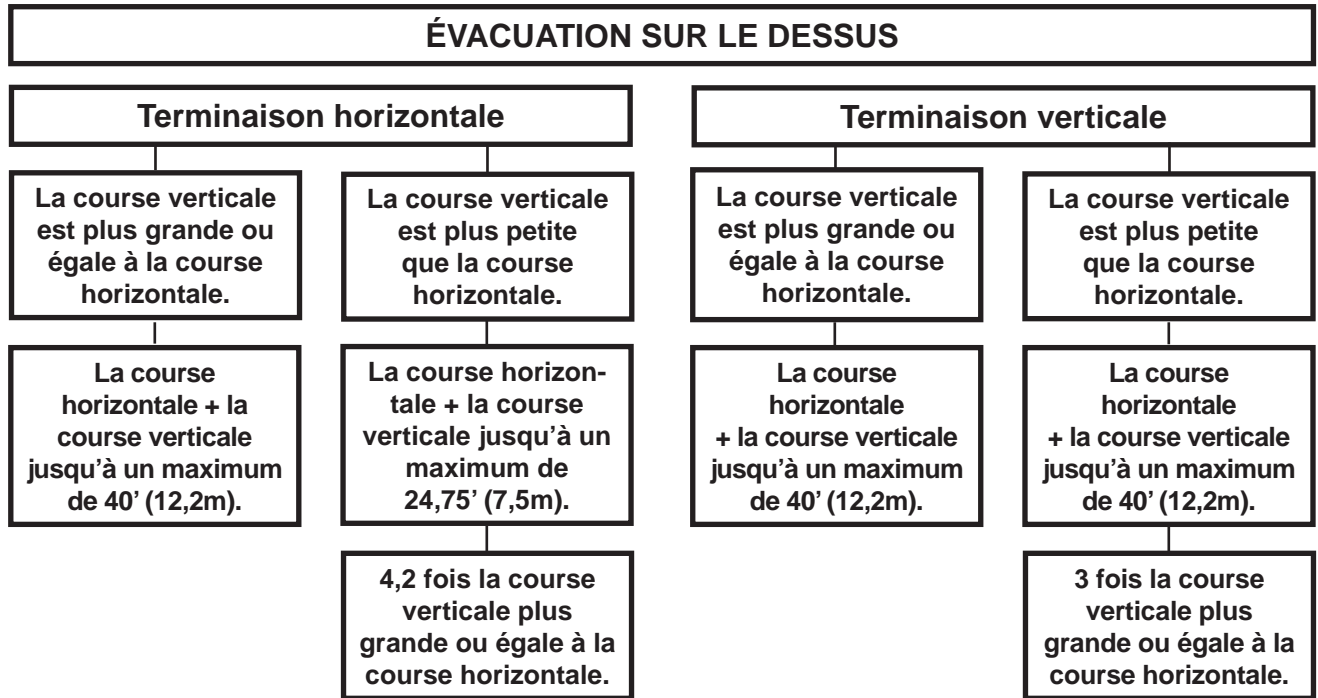
†† Permis seulement si la véranda ou la terrasse en bois sont complètement ouverts sur un minimum de deux côtés sous le plancher.

†\* Recommandé afin d'éviter la recirculation des produits d'échappement. Vérifiez les codes locaux pour connaître les contraintes additionnelles.

††† Permis seulement si le balcon est complètement ouvert sur au moins un côté.

**NOTE :** Les dégagements sont en conformité avec les codes d'installation locaux et les exigences du fournisseur de gaz.

## 3.5 CHARTE D'APPLICATION DES ÉVACUATIONS



13.1A

## 3.6 LÉGENDE

Les symboles suivants sont utilisés dans le calcul et les exemples d'évacuation :

> - plus grand que

≥ - plus grand ou égal à

< - plus petit que

≤ - plus petit ou égal à

$H_T$  - total de la longueur des courses horizontales ( $H_R$ ) plus la valeur des déviations ( $H_O$ ) en pieds

$H_R$  - longueur des courses horizontales combinées en pieds

$H_O$  - facteur de la valeur d'une déviation : 0,03 (total des degrés de déviation - 135°\*) en pieds

$V_T$  - longueur des courses verticales combinées en pieds

14.2

## 3.7 VALEURS DU COUDE EN LONGUEURS D'ÉVENT

	<b>PIEDS</b>	<b>POUCES</b>	<b>MILLIMÈTRES</b>
1°	0,03	0,5	12,7
15°	0,45	6,0	152,4
30°	0,9	11,0	279,4
45°*	1,35	16,0	406,4
90°*	2,7	32,0	812,8

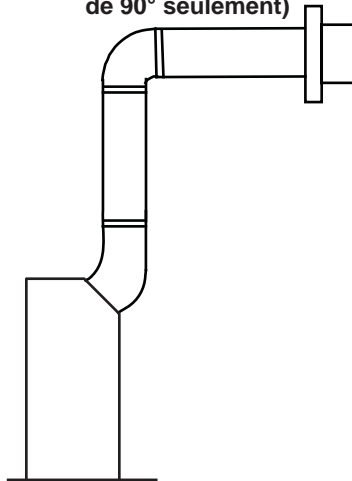
\* La première déviation de 45° et de 90° a une valeur zéro et est illustrée dans la formule comme -45° et -90° respectivement ou -135° lorsque combinées.

15.2A

## 3.8 TERMINAISON HORIZONTALE

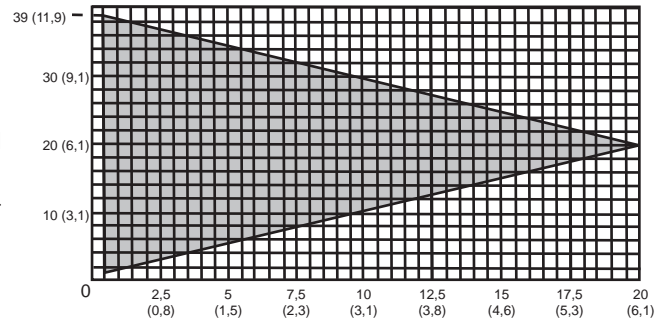
$$(H_T) \leq (V_T)$$

Configuration d'évacuation simple (un coude de 45° et de 90° seulement)



COURSE VERTICALE REQUISE EN PIEDS (MÈTRES)  $V_T$

Consultez le graphique pour déterminer la course verticale nécessaire  $V_T$  par rapport à la course horizontale requise  $H_T$ .



LONGUEUR DES COURSES HORIZONTALES PLUS LES DÉVIATIONS EN PIEDS (MÈTRES)  $H_T$

La section ombragée à l'intérieur des lignes représente des valeurs acceptables pour  $H_T$  et  $V_T$

Lorsque la configuration de l'évacuation exige plus qu'un coude de 45° et de 90°, les formules suivantes s'appliquent :

Formule 1 :  $H_T \leq V_T$

Formule 2 :  $H_T + V_T \leq 40$  pieds (12,2m)

Exemple :

$$V_1 = 8 \text{ PI (2,4m)}$$

$$V_T = V_1 = 8 \text{ PI (2,4m)}$$

$$H_1 = 2,5 \text{ PI (0,8m)}$$

$$H_2 = 2 \text{ PI (0,6m)}$$

$$H_R = H_1 + H_2 = 2,5 \text{ PI (0,8m)} + 2 \text{ PI (0,6m)} = 4,5 \text{ PI (1,4m)}$$

$$H_O = 0,03 \text{ (un coude } 45^\circ \text{ + deux coudes } 90^\circ - 135^\circ) = 0,03 (225 - 135^\circ) = 2,7 \text{ PI (0,8m)}$$

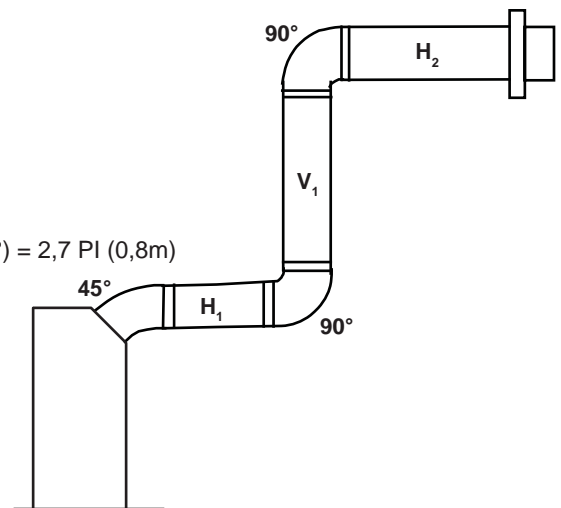
$$H_T = H_R + H_O = 4,5 \text{ PI (1,4m)} + 2,7 \text{ PI (0,8m)} = 7,2 \text{ PI (2,2m)}$$

$$H_T + V_T = 7,2 \text{ PI (2,2m)} + 8 \text{ PI (2,4m)} = 15,2 \text{ PI (4,6m)}$$

Formule 1 :  $H_T \leq V_T$   
 $7,2 \text{ PI (2,2m)} \leq 8 \text{ PI (2,4m)}$

Formule 2 :  $H_T + V_T \leq 40 \text{ PI (12,2m)}$   
 $15,2 \text{ PI (4,6m)} \leq 40 \text{ PI (12,2m)}$

Puisque les deux formules sont respectées, cette configuration d'évacuation est acceptable.

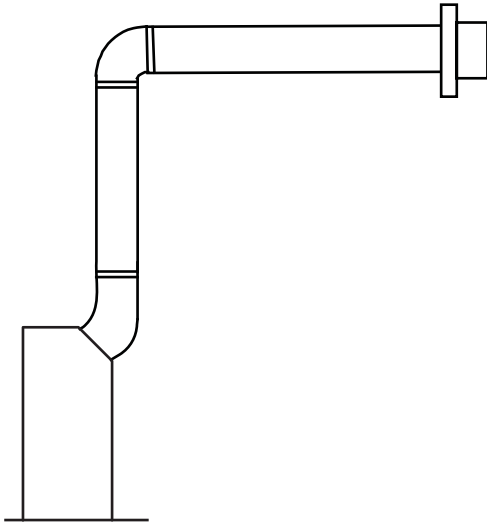


16.5A

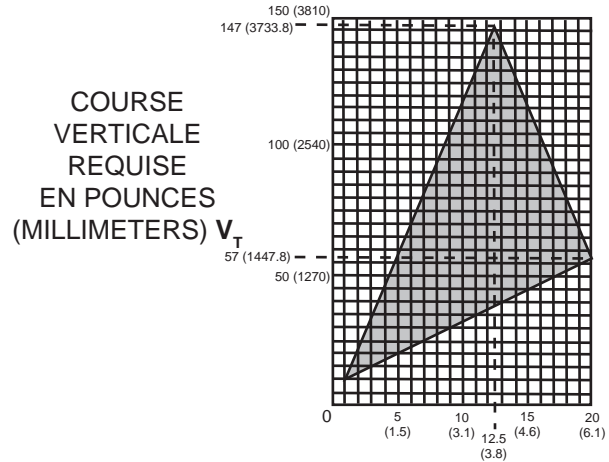
FR

$(H_T) > (V_T)$

Configuration d'évacuation simple (un coude de 45° et de 90° seulement)



Consultez le graphique pour déterminer la course verticale nécessaire  $V_T$  par rapport à la course horizontale requise  $H_T$



La section ombragée à l'intérieur des lignes représente des valeurs acceptables pour  $H_T$  et  $V_T$

Lorsque la configuration de l'évacuation exige plus d'un coude de 45° et 90°, les formules suivantes s'appliquent :

Formule 1 :  $H_T \leq 4,2 V_T$

Formule 2 :  $H_T + V_T \leq 24,75$  pieds (7,5m)

Exemple :

$V_1 = 4$  PI (1,2m)

$V_2 = 1,5$  PI (0,5m)

$V_T = V_1 + V_2 = 4$  PI (1,2m) + 1,5 PI (0,5m) = 5,5 PI (1,7m)

$H_1 = 2$  PI (0,6m)

$H_2 = 1$  PI (0,3m)

$H_3 = 1$  PI (0,3m)

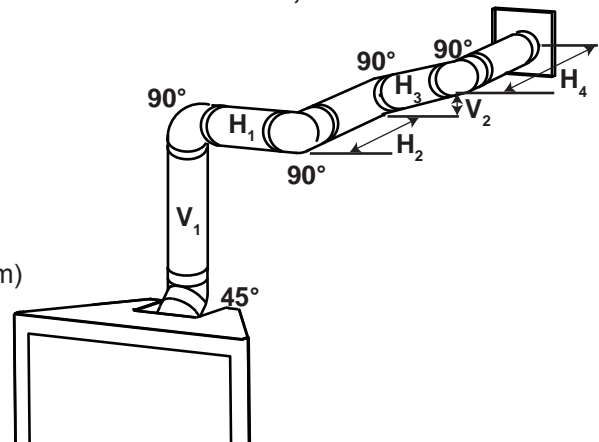
$H_4 = 1,5$  PI (0,5m)

$H_R = H_1 + H_2 + H_3 + H_4 = 2$  PI (0,6m) + 1 PI (0,3m) + 1 PI (0,3m) + 1,5 PI (0,5m) = 5,5 PI (1,7m)

$H_o = 0,03$  (un coude 45° + quatre coudes 90° - 135°) = 0,03 (405 - 135°) = 8,1 PI (2,5m)

$H_T = H_R + H_o = 5,5$  PI (1,7m) + 8,1 PI (2,5m) = 13,6 PI (4,2m)

$H_T + V_T = 13,6$  PI (4,2m) + 5,5 PI (1,7m) = 19,1 PI (5,8m)



Formule 1 :  $H_T \leq 4,2 V_T$

$4,2 V_T = 4,2$  PI (1,3m) x 5,5 PI (1,7m) = 23,1 PI (7m)

$13,6$  PI (4,2m)  $\leq$  23,1 PI (7m)

Formule 2 :  $H_T + V_T \leq 24,75$  PI (7,5m)

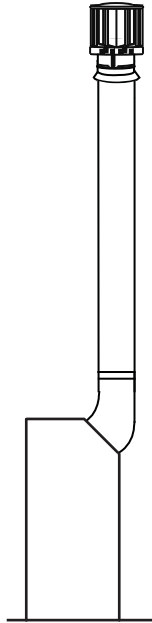
$19,1$  PI (5,8m)  $\leq$  24,75 PI (7,5m)

Puisque les deux formules sont respectées, cette configuration d'évacuation est acceptable.

## 3.9 TERMINAISON VERTICALE

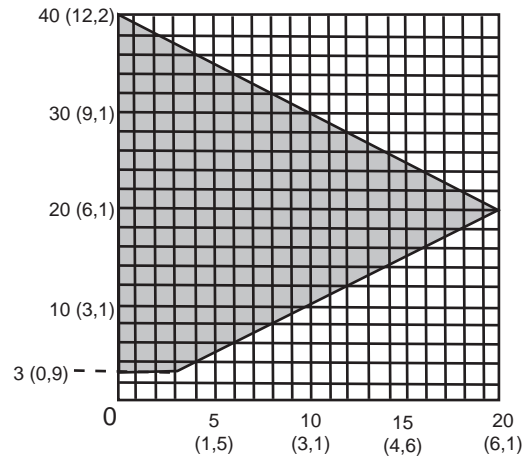
$$(H_T) \leq (V_T)$$

Configurations d'évacuation simple.



COURSE  
VERTICALE  
REQUISE  
EN PIEDS  
(MÈTRES)  $V_T$

Consultez le graphique pour déterminer la course verticale nécessaire  $V_T$  par rapport à la course horizontale requise  $H_T$ .



LONGUEUR DES COURSES HORIZONTALES PLUS  
LES DÉVIATIONS EN PIEDS (MÈTRES)  $H_T$

La section ombragée à l'intérieur des lignes  
représente des valeurs acceptables pour  $H_T$  et  $V_T$

Lorsque la configuration de l'évacuation exige plus qu'un coude de 45° et un coude de 90°, les formules suivantes s'appliquent :

Formule 1 :  $H_T \leq V_T$

Formule 2 :  $H_T + V_T \leq 40$  pieds (12,2m)

Exemple :

$$V_1 = 5 \text{ PI (1,5m)}$$

$$V_2 = 10 \text{ PI (3,1m)}$$

$$V_T = V_1 + V_2 = 5 \text{ PI (1,5m)} + 10 \text{ PI (3,1m)} = 15 \text{ PI (4,6m)}$$

$$H_1 = 3 \text{ PI (0,9m)}$$

$$H_2 = 2,5 \text{ PI (0,8m)}$$

$$H_R = H_1 + H_2 = 3 \text{ PI (0,9m)} + 2,5 \text{ PI (0,8m)} = 5,5 \text{ PI (1,7m)}$$

$$H_o = 0,03 \text{ (un coude } 45^\circ \text{ + trois coudes } 90^\circ - 135^\circ)$$

$$= 0,03 (45 + 270 - 135^\circ) = 5,4 \text{ PI (1,6m)}$$

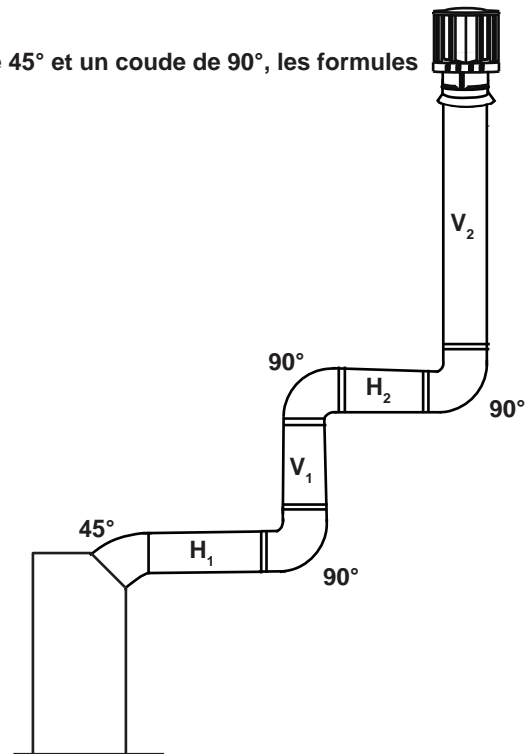
$$H_T = H_R + H_o = 5,5 \text{ PI (1,7m)} + 5,4 \text{ PI (1,6m)} = 10,9 \text{ PI (3,3m)}$$

$$H_T + V_T = 10,9 \text{ PI (3,3m)} + 15 \text{ PI (4,6m)} = 25,9 \text{ PI (7,9m)}$$

Formule 1 :  $H_T \leq V_T$   
 $10,9 \text{ PI (3,3m)} \leq 15 \text{ PI (4,6m)}$

Formule 2 :  $H_T + V_T \leq 40 \text{ PI (12,2m)}$   
 $25,9 \text{ PI (7,9m)} \leq 40 \text{ PI (12,2m)}$

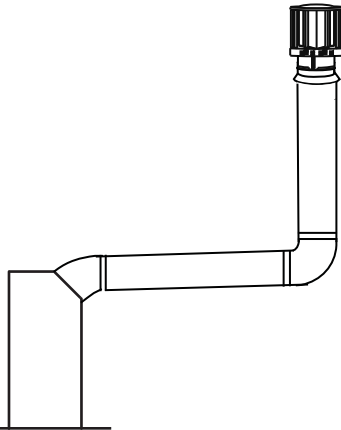
Puisque les deux formules sont respectées, cette configuration d'évacuation est acceptable.



18.3A

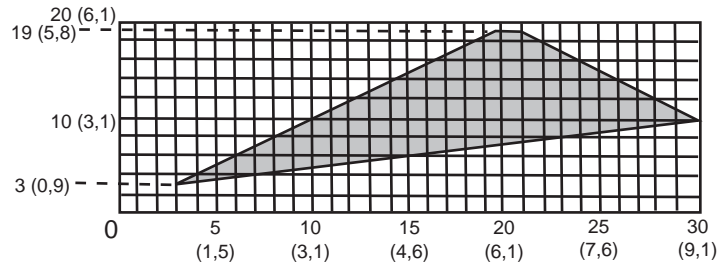
$$(H_T) > (V_T)$$

### Configurations d'évacuation simple.



COURSE  
VERTICALE  
REQUISE EN  
PIEDS  
(MÈTRES)  $V_T$

Consultez le graphique pour déterminer la course verticale nécessaire  $V_T$  par rapport à la course horizontale requise  $H_T$ .



LONGUEUR DES COURSES HORIZONTALES PLUS  
LES DÉVIATIONS EN PIEDS (MÈTRES)  $H_T$

La section ombragée à l'intérieur des lignes  
représente des valeurs acceptables pour  $H_T$  et  $V_T$

Lorsque la configuration de l'évacuation exige plus qu'un coude de 45° et un coude de 90°, les formules suivantes s'appliquent :

**Formule 1 :**  $H_T \leq 3V_T$

**Formule 2 :**  $H_T + V_T \leq 40$  pieds (12,2m)

**Exemple :**

$V_1 = 1$  PI (0,3m)

$V_2 = 1,5$  PI (0,5m)

$V_T = V_1 + V_2 = 1$  PI (0,3m) + 1,5 PI (0,5m) = 2,5 PI (0,8m)

$H_1 = 6$  PI (1,8m)

$H_2 = 2$  PI (0,6m)

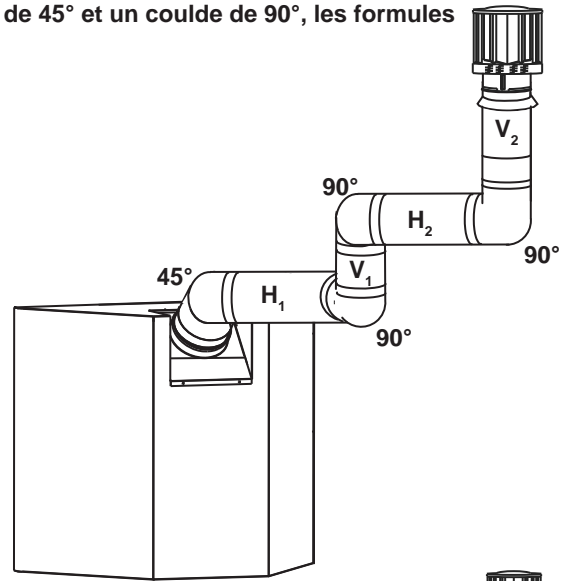
$H_R = H_1 + H_2 = 6$  PI (1,8m) + 2 PI (0,6m) = 8 PI (2,4m)

$H_o = 0,03$  (un coude 45° + trois coudes 90° - 135°)

= 0,03 (45 + 270 - 135°) = 5,4 PI (1,6m)

$H_T = H_R + H_o = 8$  PI (2,4m) + 5,4 PI (1,6m) = 13,4 PI (4,1m)

$H_T + V_T = 13,4$  PI (4,1m) + 2,5 PI (0,8m) = 15,9 PI (4,8m)



**Formule 1 :**

$H_T \leq 3V_T$

$3V_T = 3$  PI (0,9m) x 2,5 PI (0,8m) = 7,5 PI (2,3m)

13,4 PI (4,1m) > 7,5 PI (2,3m)

Puisque cette formule n'est pas respectée, cette configuration d'évacuation est **inacceptable**.

**Formule 2 :**  $H_T + V_T \leq 40$  PI (12,2m)

15,9 PI (4,8m) ≤ 40 PI (12,2m)

Puisque seulement la formule 2 est respectée, cette configuration est inacceptable et l'on devra trouver un autre endroit pour installer l'appareil ou trouver une configuration d'évacuation qui pourra respecter les deux formules.

**Exemple :**

$V_1 = 1,5$  PI (0,5m)

$V_2 = 8$  PI (2,4m)

$V_T = V_1 + V_2 = 1,5$  PI (0,5m) + 8 PI (2,4m) = 9,5 PI (2,9m)

$H_1 = 1$  PI (0,3m)

$H_2 = 1$  PI (0,3m)

$H_3 = 10,75$  PI (3,3m)

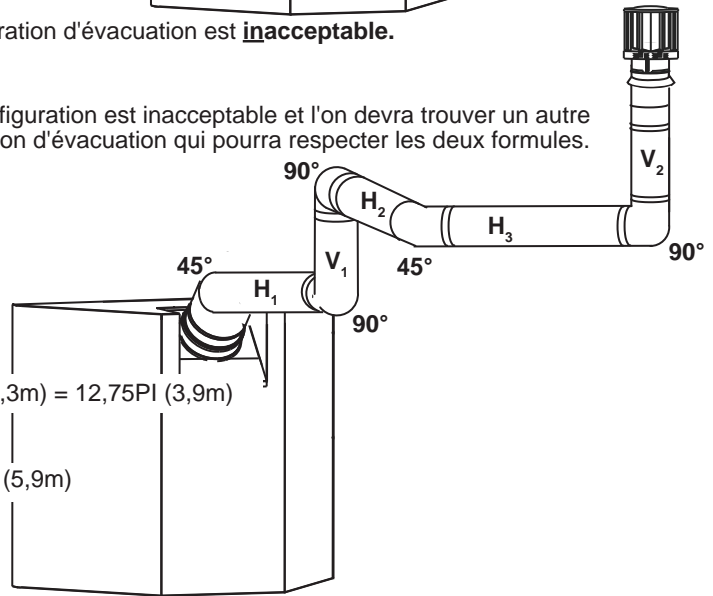
$H_R = H_1 + H_2 + H_3 = 1$  PI (0,3m) + 1 PI (0,3m) + 10,75 PI (3,3m) = 12,75 PI (3,9m)

$H_o = 0,03$  (trois coudes 90° + deux coudes 45°

- 135°) = 0,03 (270 + 90 - 135°) = 6,75 PI (2,1m)

$H_T = H_R + H_o = 12,75$  PI (3,9m) + 6,75 PI (2,1m) = 19,5 PI (5,9m)

$H_T + V_T = 19,5$  PI (5,9m) + 9,5 PI (2,9m) = 29 PI (8,8m)



**Formule 1 :**

$H_T \leq 3V_T$

$3V_T = 3$  x 9,5 = 28,5 PI (8,7m)

19,5 PI (5,9m) ≤ 28,5 PI (8,7m)

**Formule 2 :**  $H_T + V_T \leq 40$  PI (12,2m)

29 PI (8,8m) ≤ 40 PI (12,2m)

Puisque les deux formules sont respectées, cette configuration d'évacuation est acceptable.

## 4.0 INSTALLATION

### AVERTISSEMENT

AVANT D'EFFECTUER LES BRANCHEMENTS POUR L'ALIMENTATION EN GAZ ET ÉLECTRIQUE, ASSUREZ-VOUS DE RETIRER TOUTE COMPOSANTE NON FIXÉE À L'INTÉRIEUR DE LA CHAMBRE DE COMBUSTION.

SI VOTRE APPAREIL COMPREND UN SYSTÈME DE TÉLÉCOMMANDE, ASSUREZ-VOUS QUE LE RÉCEPTEUR EST À LA POSITION « OFF » AVANT D'EFFECTUER LES BRANCHEMENTS POUR L'ALIMENTATION EN GAZ ET ÉLECTRIQUE.

AFIN D'ASSURER UN FONCTIONNEMENT SÉCURITAIRE ET ADÉQUAT DE L'APPAREIL, VOUS DEVEZ OBSERVER LES INSTRUCTIONS D'ÉVACUATION À LA LETTRE.

TOUS LES JOINTS DES CONDUITS INTÉRIEURS ET EXTÉRIEURS PEUVENT ÊTRE SCELLÉS AVEC DU SCELLANT DE SILICONE ROUGE À HAUTE TEMPÉRATURE RTV W573-0002 (NON FOURNI) OU DU SCELLANT NOIR À HAUTE TEMPÉRATURE MILL PAC W573-0007 (NON FOURNI) À L'EXCEPTION DU RACCORDEMENT DU CONDUIT D'ÉVACUATION À LA BUSE DE L'APPAREIL QUI DOIT ÊTRE SCELLÉ AVEC LE SCELLANT MILL PAC.

SI VOUS UTILISEZ DES COLLIERS POUR TUYAU POUR RACCORDER LES COMPOSANTS D'ÉVACUATION, VOUS DEVEZ AUSSI INSTALLER TROIS VIS POUR VOUS ASSURER QUE LE RACCORDEMENT NE SE DÉFASSE PAS.

NE SERREZ PAS LA GAINE FLEXIBLE.

RISQUE D'INCENDIE, D'EXPLOSION OU D'ASPHYXIE. SI L'ENSEMBLE DU SYSTÈME DE CONDUIT D'ÉVENT N'EST PAS ADÉQUATEMENT SOUTENU, IL RISQUE DE FLÉCHIR OU DE SE SÉPARER. UTILISEZ DES SUPPORTS DE CONDUIT ET RACCORDEZ LES SECTIONS DE CONDUITS SELON LES INSTRUCTIONS D'INSTALLATION.

RISQUE D'INCENDIE. ÉVITEZ QUE L'ISOLANT TOUCHE AU CONDUIT D'ÉVACUATION. RETIREZ L'ISOLANT POUR PERMETTRE L'INSTALLATION DE L'ÉCRAN PROTECTEUR DU GRENIER ET POUR MAINTENIR LES DÉGAGEMENTS AUX MATÉRIAUX COMBUSTIBLES.

68.2B

### 4.1 PROTECTION DU MUR ET DU PLAFOND

#### AVERTISSEMENT

NE REMPLISSEZ L'ESPACE ENTRE LE CONDUIT D'ÉVENT ET LA CHARPENTE AVEC AUCUN TYPE DE MATÉRIAU. NE BOURREZ PAS D'ISOLANT NI DE MATÉRIAUX COMBUSTIBLES ENTRE LES ESPACEURS COUPE-FEU DU PLAFOND. CONSERVEZ TOUJOURS LES DÉGAGEMENTS REQUIS AUTOUR DES CONDUITS D'ÉVENT ET L'ASSEMBLAGE DE L'ESPACEUR COUPE-FEU. INSTALLEZ LES ÉCRANS MURAUX ET LES ESPACEURS COUPE-FEU TEL QUE SPÉCIFIÉ. SI VOUS NE GARDEZ PAS L'ISOLANT OU TOUT AUTRE MATÉRIAU À L'ÉCART DU CONDUIT D'ÉVENT, UN RISQUE D'INCENDIE POURRAIT S'ENSUIVRE.

70.1

Pour une performance optimale de l'appareil, toutes les courses horizontales devraient avoir une élévation minimale de 1/4" (6m) par pied/mètre lorsque vous utilisez des composants flexibles d'évacuation. Afin d'assurer un fonctionnement sécuritaire et adéquat de l'appareil, vous devez observer les instructions d'évacuation à la lettre.

Pour les dégagements du conduit d'évent aux matériaux combustibles, voir la section « DÉGAGEMENTS MINIMAUX AUX MATÉRIAUX COMBUSTIBLES ».

**NOTE:** Lorsque les conduits traversent un mur ou un plancher combustible, vous devez utiliser l'espaceur coupe-feu / protecteur de conduit d'évacuation fourni avec l'appareil.

FR

## 4.1.1 INSTALLATION HORIZONTALE

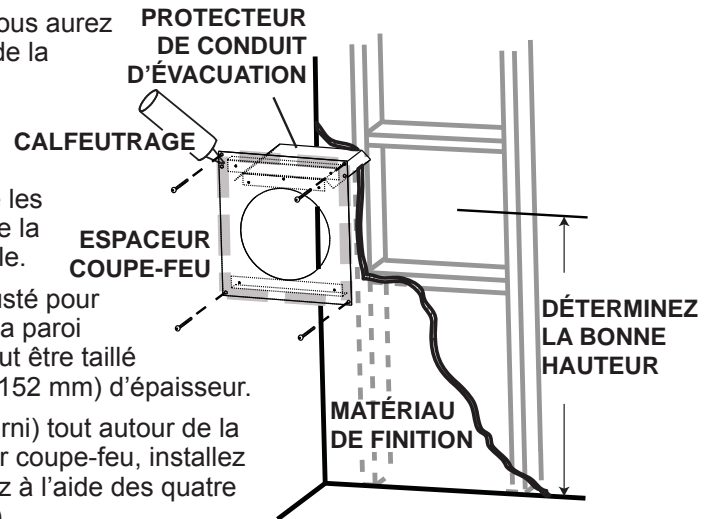
**AVERTISSEMENT**

**L'ESPACEUR COUPE-FEU DOIT ÊTRE INSTALLÉ AVEC L'ÉCRAN PROTECTEUR ORIENTÉ VERS LE HAUT.  
LA TERMINAISON NE DOIT PAS ÊTRE ENCHÂSSÉE DANS LE MUR OU LE REVÊTEMENT EXTÉRIEUR  
PLUS QUE L'ÉPAISSEUR DE LA BRIDE DE LA PLAQUE DE MONTAGE.**

Cette configuration s'applique lorsque le conduit d'évent traverse un mur extérieur. Une fois que vous aurez déterminé la hauteur exacte pour l'emplacement de la terminaison, découpez et charpentez une ouverture dans le mur extérieur (comme illustré) pour permettre l'installation de l'espaceur coupe-feu. Avant de continuer, placez l'espaceur coupe-feu dans l'ouverture pour vous assurer que les supports sur la surface arrière soient placés contre la face intérieure de la pièce de charpente horizontale.

L'écran protecteur est télescopique et doit être ajusté pour protéger toute la profondeur de la pénétration de la paroi combustible. La longueur de l'écran protecteur peut être taillé pour des murs combustibles qui ont moins de 6" (152 mm) d'épaisseur.

- Appliquez un joint de calfeutrage (non fourni) tout autour de la bordure de la face intérieure de l'espaceur coupe-feu, installez l'espaceur coupe-feu contre le trou et fixez à l'aide des quatre vis (fournies dans le sac de votre manuel).
- Une fois que le conduit d'évent est en place, appliquez du scellant à haute température W573-0007 (non fourni) entre le conduit d'évent et l'espaceur coupe-feu.

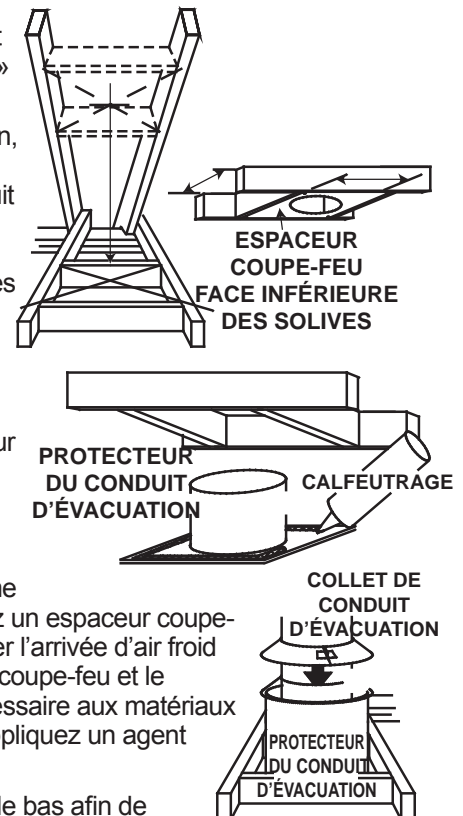


20.7

## 4.1.2 INSTALLATION VERTICALE

Cette configuration s'applique lorsque l'évacuation se fait à travers un toit. Des ensembles d'installation pour les différentes pentes de toit sont disponibles chez votre détaillant autorisé. Voir la section « Accessoires » pour commander l'ensemble spécifique dont vous avez besoin.

- Une fois que vous aurez déterminé l'emplacement de la terminaison, découpez et charpentez une ouverture dans le plafond et le toit pour laisser le dégagement minimal de 1" (25,4mm) entre le conduit d'évent et tout matériau combustible. Essayez de positionner le conduit d'évent à mi-chemin entre deux solives pour ne pas être obligé de les couper. Utilisez du fil à plomb pour aligner le centre des ouvertures. Un protecteur de conduit d'évacuation empêchera tout matériau, tel que l'isolant, de remplir l'espace vide de 1" (25,4mm) autour de l'évent. Fixez des entretoises entre les solives pour assurer un support additionnel.
- Appliquez un joint de calfeutrage (non fourni) sur la charpente ou sur le protecteur de conduit d'évacuation Wolf Steel ou l'équivalent (dans le cas d'un plafond fini) et fixez le protecteur de conduit d'évacuation de façon à recouvrir l'ouverture dans le plafond. Un espaceur coupe-feu doit être fixé à la base de chaque ouverture charpentée dans un toit ou un plafond par lequel traverse le système d'évacuation. Appliquez un joint de calfeutrage tout autour et placez un espaceur coupe-feu par-dessus le protecteur de conduit d'évacuation pour empêcher l'arrivée d'air froid dans la pièce ou autour de l'appareil. Assurez-vous que l'espaceur coupe-feu et le protecteur de conduit d'évacuation conservent le dégagement nécessaire aux matériaux combustibles. Une fois que le conduit d'évacuation est en place, appliquez un agent d'étanchéité entre le conduit d'évacuation et l'espaceur coupe-feu.
- Dans le grenier, faites glisser le collet de conduit d'évacuation vers le bas afin de recouvrir l'extrémité ouverte du protecteur de conduit d'évacuation et serrez. Ceci empêchera tout matériau, tel que l'isolant, de remplir l'espace vide de 1 po (25,4mm) autour de l'évent.



21.1A

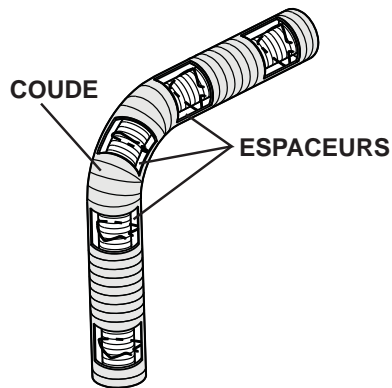


## 4.2 UTILISATION DE COMPOSANTS FLEXIBLES D'ÉVACUATION

**! AVERTISSEMENT**

**NE LAISSEZ PAS LA GAINÉ FLEXIBLE SE TASSER CONTRE LES COURSES HORIZONTALES OU VERTICALES ET LES COUDES. GARDEZ-LA TENDUE.**

**DES ESPACEURS SONT FIXÉS À LA GAINÉ FLEXIBLE À INTERVALLES PRÉDÉTERMINÉS AFIN DE GARDER UN ESPACE VIDE AVEC LE CONDUIT EXTÉRIEUR. POUR QUE LE FONCTIONNEMENT SOIT SÉCURITAIRE, UN ESPACE VIDE EST REQUIS. UN ESPACEUR EST REQUIS AU DÉBUT, AU MILIEU ET À LA FIN DE CHAQUE COUDE AFIN DE MAINTENIR CET ESPACE VIDE. N'ENLEVEZ PAS CES ESPACEURS.**



Afin d'assurer une opération sécuritaire et adéquate de l'appareil, vous devez observer les instructions d'évacuation à la lettre.

Tous les joints des conduits flexibles intérieurs et extérieurs peuvent être scellés avec le scellant à haute température W573-0002 (non fourni) ou du scellant à haute température Mill Pac W573-0007 (non fourni). Cependant, le raccordement du conduit flexible intérieur à la buse de l'appareil doit être scellé avec le scellant Mill Pac W573-0007 (non fourni).

**N'utilisez que les ensembles certifiés de gaines flexibles portant l'inscription :**

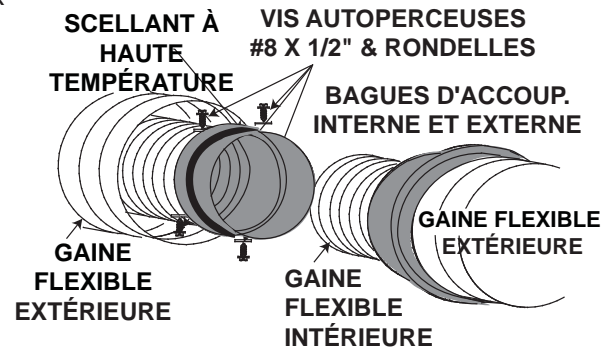
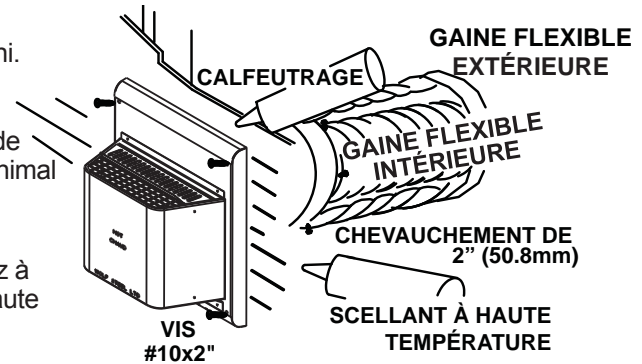


**« Wolf Steel Approved Venting » comme identifié par la gaine flexible extérieure.**

22.1

## 4.2.1 INSTALLATION DE LA TERMINAISON HORIZONTALE

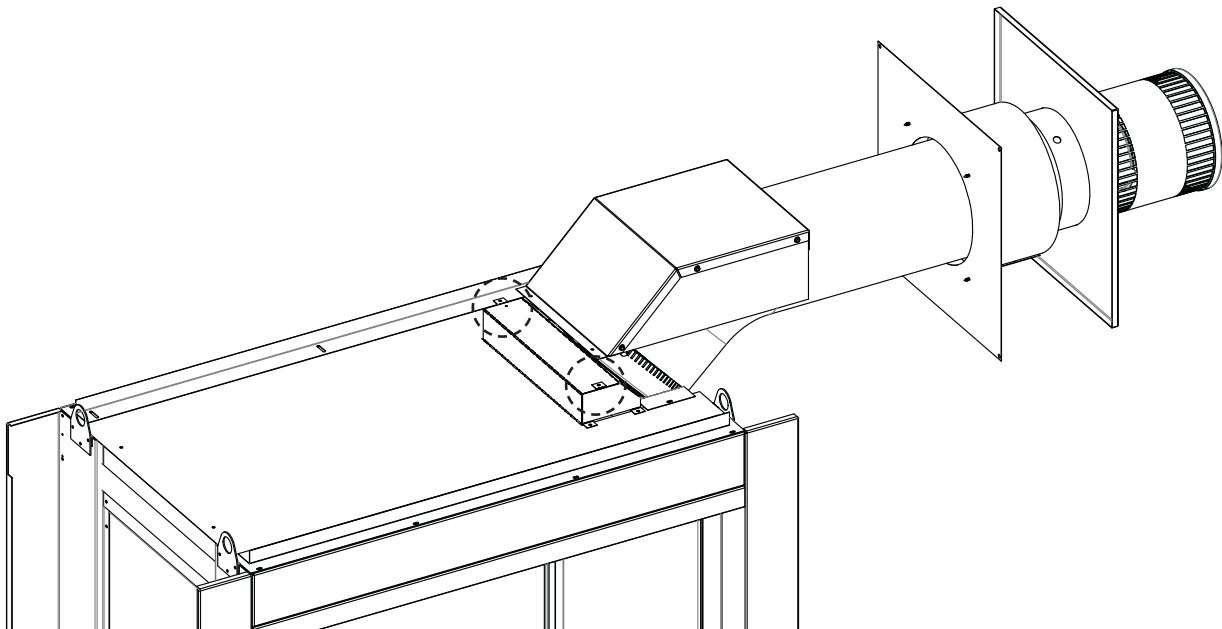
- A. Étirez la gaine flexible intérieure à la longueur requise en tenant compte de la longueur additionnelle nécessaire pour la surface du mur fini. Appliquez un généreux joint de scellant à haute température W573-0007 Mill Pac (non fourni). Glissez la gaine flexible sur le manchon intérieur de la terminaison en assurant un chevauchement minimal de 2" (50.8mm) et fixez à l'aide de trois vis #8.
- B. Installez la gaine flexible extérieure en la glissant sur le manchon extérieur de la terminaison et fixez à l'aide de trois vis #8. Scellez avec du scellant à haute température W573-0002 (non fourni).
- C. Insérez les gaines dans le coupe-feu tout en conservant le dégagement nécessaire aux matériaux combustibles. En soutenant la terminaison (les inscriptions étant à l'endroit et lisibles), fixez la terminaison au mur extérieur et rendez-la étanche en la scellant avec du calfeutrage (non fourni).
- D. Si plus de sections de gaine doivent être utilisées pour atteindre l'appareil, raccordez-les ensemble tel qu'illustré. Le système d'évacuation doit être soutenu à environ tous les 3 pieds (0.9m) pour les courses verticales et horizontales. Utilisez des supports incombustibles afin de maintenir le dégagement minimal aux matériaux combustibles.



**Les terminaisons ne doivent pas être enchâssées dans un mur ou un revêtement extérieur plus que l'épaisseur de la bride de la plaque de montage.**

23.1B

- E. Le conduit d'évacuation doit être seulement installé en utilisant une terminaison horizontale. Enlever les deux vis plus proches du conduit du collet, au-dessus de l'appareil. Aligner et fixer le protecteur de chaleur (fourni) à l'appareil. Ajuster le protecteur de chaleur jusqu'à ce que c'est contre l'espaceur coupe-feu, comme illustré ci-dessous.

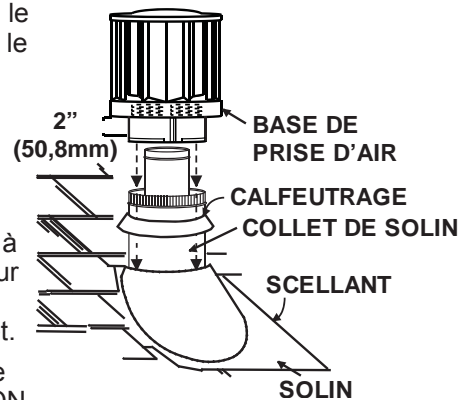
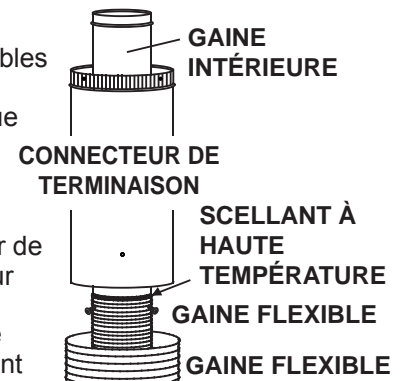
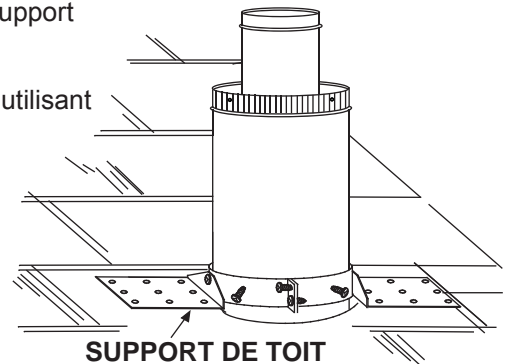


## 4.2.2 INSTALLATION DE LA TERMINAISON VERTICALE

**! AVERTISSEMENT**

**CONSERVEZ UN ESPACE MINIMAL DE 2" (50,8mm) ENTRE LA BASE DE LA PRISE D'AIR ET LE COLLET DE SOLIN.**

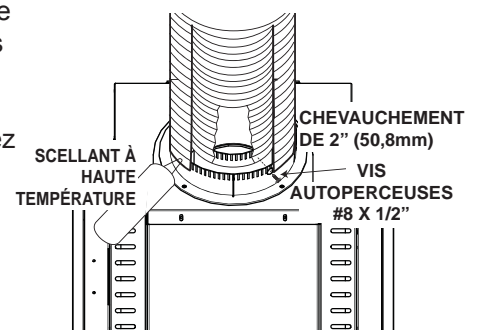
- A. Fixez le support de toit au toit à l'aide des vis fournies. Le support de toit est optionnel. Dans ce cas, l'évent doit être supporté adéquatement soit en utilisant une méthode alternative se conformant aux normes des autorités compétentes, soit en utilisant le support de toit optionnel.
- B. Étirez la gaine flexible intérieure à la longueur requise. Glissez la gaine flexible intérieure sur le manchon intérieur du connecteur de terminaison en assurant un chevauchement minimal de 2" (50,8mm) et fixez à l'aide de trois vis #8. Scellez en appliquant un généreux joint de scellant à haute température W573-0007 (non fourni).
- C. Installez la gaine flexible extérieure de la même façon et scellez en appliquant un généreux joint de scellant à haute température W573-0002 (non fourni).
- D. Faites passer le montage du connecteur de terminaison/gaines flexibles à travers le toit. La terminaison doit être verticale et d'aplomb. Fixez le connecteur de terminaison au support de toit en vous assurant que le dessus de la terminaison excède le côté le plus élevé du toit d'au moins 16" (406,4mm) une fois fixée.
- E. Enlevez les clous des bardeaux sur le dessus et les côtés du connecteur de terminaison. Placez le solin par-dessus le connecteur de terminaison en laissant un minimum de 3/4" (19,1mm) de connecteur de terminaison visible au-dessus du haut du solin. Glissez le solin sous les côtés et le bord supérieur des bardeaux. Assurez-vous que le connecteur de terminaison est bien centré dans le solin, en laissant une marge de 3/4" (19,1mm) tout autour. Fixez-le au toit. Ne clouez pas à travers la partie inférieure du solin. Imperméabilisez-le en le scellant avec du calfeutrage. Si possible, recouvrez les côtés et le bord supérieur du solin avec des matériaux de couverture.
- F. Alignez les joints de la terminaison et du connecteur de terminaison et placez la terminaison par-dessus le connecteur de terminaison en vous assurant que le manchon pénètre dans le trou de la terminaison. Fixez à l'aide des trois vis fournies.
- G. Appliquez un généreux joint de calfeutrage à l'épreuve de l'eau à 2" (50,8mm) au-dessus du solin. Installez le collet de solin autour de la terminaison et glissez-le jusqu'à la ligne de calfeutrage. Serrez afin d'assurer l'étanchéité entre la terminaison et le collet.
- H. Si plus de sections de gaine doivent être utilisées pour atteindre l'appareil, voir la section « INSTALLATION DE LA TERMINAISON HORIZONTALE ».



24.1A

## 4.2.3 RACCORDEMENT DES ÉVENTS À L'APPAREIL

- A. Raccordez la gaine flexible intérieure à l'appareil. Fixez-la à l'aide de trois vis et de trois rondelles. Scellez le joint et les têtes de vis avec du scellant à haute température W573-0007 (non fourni).
- B. Raccordez la gaine flexible extérieure à l'appareil. Fixez et scellez les joints avec du scellant à haute température W573-0002 (non fourni).



28.2A

## 4.3 BRANCHEMENT DU GAZ

**AVERTISSEMENT**

**RISQUE D'INCENDIE, D'EXPLOSION OU D'ASPHYXIE. ASSUREZ-VOUS QU'IL N'Y AIT AUCUNE SOURCE D'ALLUMAGE COMME DES ÉTINCELLES OU UNE FLAMME NUE.**

**SOUTENEZ LE CONTRÔLE DU GAZ LORSQUE VOUS ATTACHEZ LE TUYAU POUR ÉVITER DE PLIER LA CONDUITE DE GAZ.**

**ALLUMEZ TOUJOURS LA VEILLEUSE, QUE CE SOIT POUR LA PREMIÈRE FOIS OU LORSQUE L'APPROVISIONNEMENT EN GAZ EST ÉPUISÉ, AVEC LA PORTE VITRÉE OUVERTE OU RETIRÉE. LA PURGE DOIT ÊTRE EFFECTUÉE PAR UN TECHNICIEN QUALIFIÉ. ASSUREZ-VOUS QUE L'ARRIVÉE DE GAZ AU BRÛLEUR EST CONTINUE AVANT DE FERMER LA PORTE. ASSUREZ-VOUS D'UNE VENTILATION ADÉQUATE. POUR LES EMPLACEMENTS DE L'ENTRÉE DU GAZ ET DE L'ENTRÉE ÉLECTRIQUE, VOIR LA SECTION « DIMENSIONS ».**

**LORSQUE LE BRANCHEMENT EST TERMINÉ, TOUS LES RACCORDS DE GAZ DOIVENT SE TROUVER À L'INTÉRIEUR DU FOYER.**

**LES PRESSIONS ÉLEVÉES ENDOMMAGERONT LA SOUPE. L'ALIMENTATION EN GAZ DOIT ÊTRE DÉBRANCHÉE PENDANT LES ESSAIS DE PRESSION DE CE SYSTÈME LORSQUE LES PRESSIONS D'ESSAI EXCÈDENT ½ LB/PO<sup>2</sup> (3,5 KPA).**

**LES RÉGLAGES DE LA SOUPE ONT ÉTÉ FAITS EN USINE; NE LES MODIFIEZ PAS.**

L'installation et l'entretien doivent être effectués par un installateur qualifié.

- A. Mettez l'appareil en place et fixez-le.
- B. Si l'appareil est muni d'un raccord flexible, celui-ci est conçu pour recevoir une conduite de gaz de 1/2". Sans raccord flexible, l'appareil est conçu pour recevoir une conduite de gaz de 3/8". L'appareil est muni d'une soupape d'arrêt manuelle pour fermer l'alimentation en gaz.
- C. Branchez le gaz en conformité avec les codes locaux. En l'absence de codes locaux, l'installation doit être conforme au Code d'installation du gaz CAN/CSA-B149.1 dans sa version pour le Canada ou le National Fuel Gas Code, ANSI Z223.1 / NFPA 54 pour les États-Unis.
- D. Lorsque vous manipulez des conduites de gaz, soutenez la soupape de gaz pour éviter que les conduites ne se plient.
- E. Le raccord flexible de l'alimentation en gaz devrait être suffisamment mobile pour permettre de placer l'assemblage du brûleur sur le côté.
- F. Vérifiez pour des fuites de gaz en appliquant une solution d'eau savonneuse. **N'utilisez pas une flamme nue.**

30.1A

## 4.4 INSTALLATION DANS UNE MAISON MOBILE

Cet appareil est certifié pour être installé comme équipement d'origine (OEM) dans une maison préfabriquée ou une maison mobile. Son installation doit être effectuée en respectant les directives du fabricant et le Manufactured Home Construction and Safety Standard, Title 24 CFR, Part 3280, aux États-Unis, ou les normes actuelles pour les maisons mobiles, CAN/CSA Z240 SÉRIE MH, au Canada. Cet appareil ne doit être utilisé qu'avec le type de gaz indiqué sur la plaque d'homologation. Un ensemble de conversion est fourni avec l'appareil pour maison mobile.

Cet appareil homologué pour les maisons mobiles et préfabriquées possède des éléments de fixation. L'appareil est muni de deux trous de ¼" (6,4mm) de diamètre, situés aux coins avant, gauche et droit de la base. Lors d'une installation dans une maison mobile, l'appareil doit être fixé au plancher. Fixez à l'aide de vis #10 à tête hexagonale insérées dans les trous de la base. Éteignez toujours la veilleuse et l'alimentation en gaz à la source avant de déplacer la maison mobile. Après avoir déplacé la maison mobile et avant d'allumer l'appareil, assurez-vous que les bûches sont placées correctement.

Cet appareil est certifié pour être installé dans une maison mobile installée de façon permanente, sauf si les codes locaux l'interdisent. Cet appareil ne doit être utilisé qu'avec le type de gaz indiqué sur la plaque d'homologation. On ne peut utiliser cet appareil avec d'autres types de gaz, sauf si un ensemble de conversion certifié est utilisé.

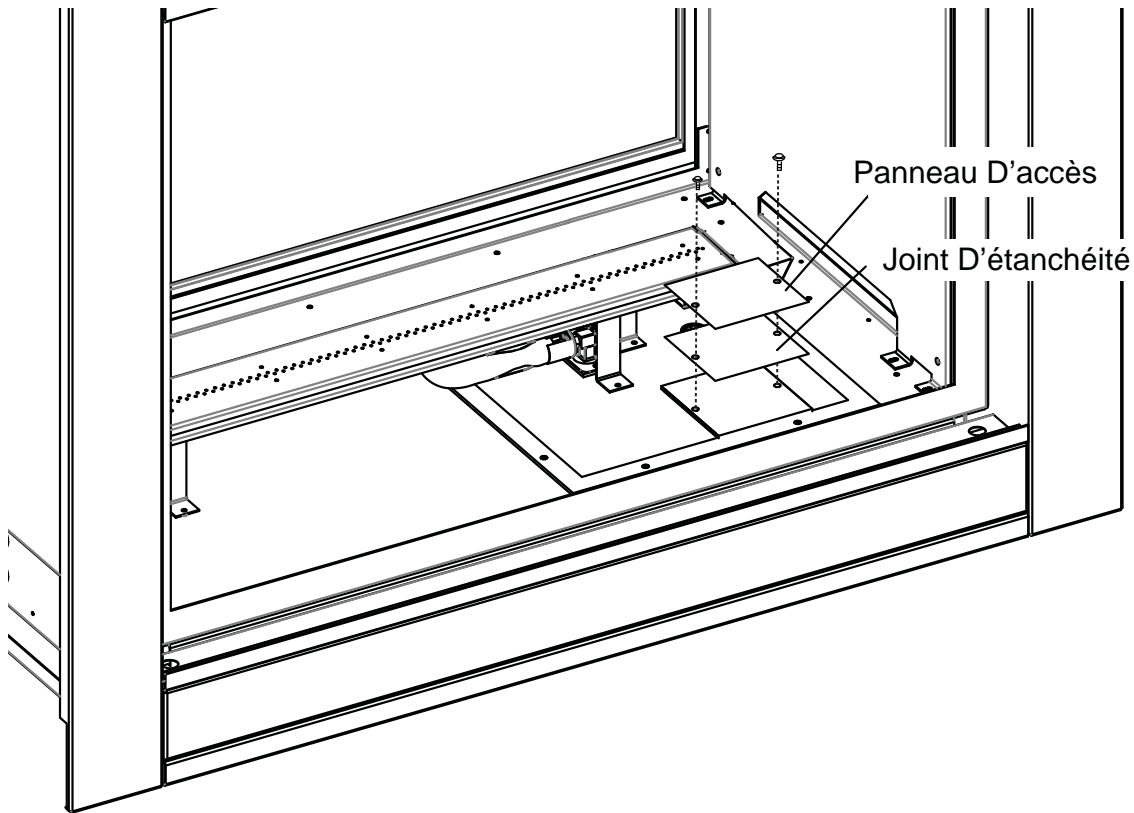
Ensembles de conversion

L'appareil pour maison mobile peut être converti au gaz naturel (GN) ou au propane (PL). Pour effectuer une conversion, veuillez consulter votre détaillant autorisé.

29.1A

#### 4.5 PANNEAU D'ACCÈS POUR LA CONDUITE DE GAZ

- A. Enlevez l'écran de protection et le porte de l'appareil, voir la section "RETRAIT DE L'ÉCRAN DE CÔTÉ ET L'INSTALLATION".
- B. Enlevez les composants décoratif et le plateau du l'appareil, voir la section "ENLÈVEMENT DU BRÛLEUR POUR ROCHES".
- C. Dévissez les deux vis qui fixent le panneau d'accès de l'appareil.
- D. Enlevez le joint d'étanchéité (ne pas déchirer).



## 5.0 OSSATURE

**! AVERTISSEMENT****RISQUE D'INCENDIE!**

AFIN D'ÉVITER LA POSSIBILITÉ QUE DE L'ISOLATION OU UN COUPE-VAPEUR ENTRENT EN CONTACT AVEC L'EXTÉRIEUR DU CAISSON, IL EST CONSEILLÉ D'INSTALLER L'APPAREIL CONTRE DES MURS FINIS (C.-À-D. PANNEAU DE GYPSE) COMME TOUT AUTRE MUR DE LA MAISON. CECI ASSURERA QUE LE DÉGAGEMENT AUX MATÉRIEAUX COMBUSTIBLES EST MAINTENU.

NE FAITES PAS D'ENTAILLES À L'OSSATURE AUTOUR DES ESPACEURS. NE PAS MAINTENIR LES DÉGAGEMENTS PEUT CAUSER UNE SURCHAUFFE ET UN INCENDIE. EMPÊCHEZ TOUT CONTACT AVEC DE L'ISOLANT QUI S'AFFAISSE, AVEC L'OSSATURE OU AVEC TOUT AUTRE MATÉRIAU COMBUSTIBLE. BLOQUEZ L'ENTRÉE DE L'ENCEINTE POUR EMPÊCHER L'INFILTRATION D'ISOLANT SOUFFLÉ. ASSUREZ-VOUS QUE L'ISOLATION ET LES AUTRES MATÉRIEAUX SONT BIEN FIXÉS.

LORSQUE VOUS CONSTRUISEZ L'ENCEINTE, PRÉVOYEZ L'ÉPAISSEUR DES MATÉRIEAUX DE FINITION POUR MAINTENIR LES DÉGAGEMENTS. SI L'OSSATURE OU LES MATÉRIEAUX DE FINITION SE TROUVENT À UNE DISTANCE INFÉRIEURE À CELLE INDIQUÉE, ILS DOIVENT ÊTRE FAITS ENTIÈREMENT DE MATÉRIEAUX NON COMBUSTIBLES. LES MATÉRIEAUX FAITS ENTIÈREMENT D'ACIER, DE FER, DE BRIQUE, DE TUILE, DE BÉTON, D'ARDOISE, DE VERRE OU DE PLÂTRE, OU D'UNE COMBINAISON DE CES MATÉRIEAUX, SONT APPROPRIÉS. LES MATÉRIEAUX RÉPONDANT À LA NORME ASTM E 136, MÉTHODE DE TEST STANDARD DU COMPORTEMENT DES MATÉRIEAUX DANS UNE FOURNAISE AVEC TUBE VERTICAL À 1382° F (750°C), ET À LA NORME UL763 SONT CONSIDÉRÉS COMME ÉTANT DES MATÉRIEAUX NON COMBUSTIBLES.

AFIN D'ÉVITER UN RISQUE D'INCENDIE, LES DÉGAGEMENTS MINIMAUX AUX MATÉRIEAUX COMBUSTIBLES DOIVENT ÊTRE MAINTENUS.

L'ENCEINTE DE L'APPAREIL DOIT RESPECTER LA HAUTEUR MINIMALE REQUISE. MESUREZ À PARTIR DE LA BASE DE L'APPAREIL.

SI DES ENSEMBLES DE MONTANTS EN ACIER AVEC PANNEAU DE CIMENT SONT FOURNIS, OU SPÉCIFIÉ DANS LES INSTRUCTIONS D'INSTALLATION, ILS DOIVENT ÊTRE INSTALLÉS.

LES MATÉRIEAUX DE FINITION DOIVENT ÊTRE COMBUSTIBLES PLACER ÉCLAT AVEC LA FACE DE L'APPAREIL ÉTENDUE DU SOMMET DE L'APPAREIL COMME LE CONSEIL DE CIMENT, LE CARREAU EN CERAMIQUE, LE MARBRE, ETC. NE PAS UTILISÉ DES BÛCHES OU LE CLOISON SECHE. N'IMPORTE QUEL FEU A ÉVALUÉ DU CLOISON SÈCHE N'EST PAS ACCEPTABLE.

**71.1B**

Il est préférable de construire l'ossature après que l'appareil est en place et que le système d'évacuation est installé. Lorsque vous mettez l'appareil en place, surélevez-le de façon à prévoir l'épaisseur du plancher fini, c.-à-d. tuiles, tapis ou bois franc.

**Conservez ces dégagements minimaux aux matériaux combustibles:****Ossature de l'appareil combustible:**

- 1/4" (6.4mm) sur les côtés de l'appareil
- 8 1/4" (210mm) sur le dessus de l'appareil

**Finition de l'appareil combustible:**

- 0" (0mm) au-dessus de l'ouverture de l'appareil
- 50" (1270mm) du bas de l'appareil jusqu'au haut de l'enceinte
- 3" (76mm) du dessus du conduit d'évacuation\*
- 2" (51mm) des côtés et du dessous du conduit d'évacuation\*
- 0" (0mm) sur les côtés et dessus de l'appareil

Des matériaux de finition combustibles (ex: panneau de combustible, brique, pierre, tuile) doivent être utilisés pour finir autour de la façade du porte de l'appareil.

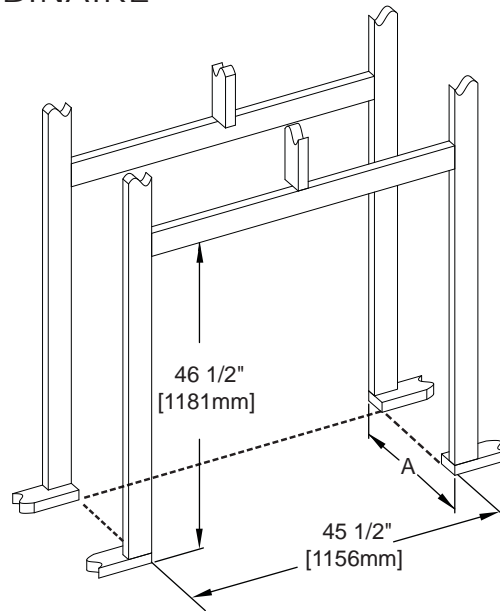
\***SECTIONS D'ÉVÉNEMENTS HORIZONTALES** : Un dégagement minimal aux matériaux combustibles de 3" (76mm) au-dessus et 2" (51mm) au-dessous et sur les côtés de l'événement doit être maintenu sur toutes les courses horizontales. Voir la section « DÉGAGEMENTS MINIMAUX DE L'ENCEINTE ». Utilisez l'espaceur coupe-feu W010-2985.

\***SECTIONS D'ÉVÉNEMENTS VERTICALES** : Un dégagement minimal aux matériaux combustibles de 2" (51mm) est requis sur toutes les courses verticales. Utilisez l'espaceur coupe-feu W010-2985.

## 5.1 OSSATURE

## 5.1.1 OSSATURE DU MODÈLE BINAIRE

**A: MIN 22 5/8" (575mm)**  
**MAX 24 1/8" (613mm)**

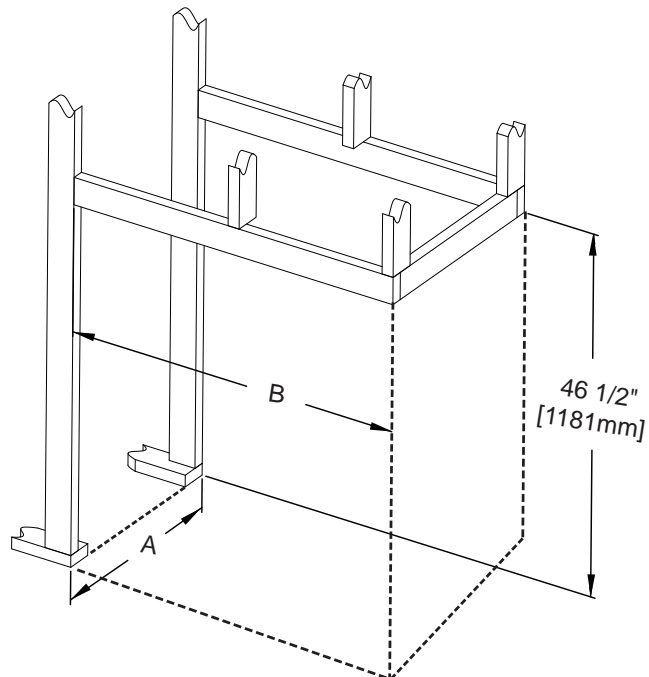


FR

## 5.1.2 OSSATURE DU MODÈLE PÉNINSULE

**A: MIN 22 5/8" (575mm)**  
**MAX 24 1/8"**  
**(613mm)**

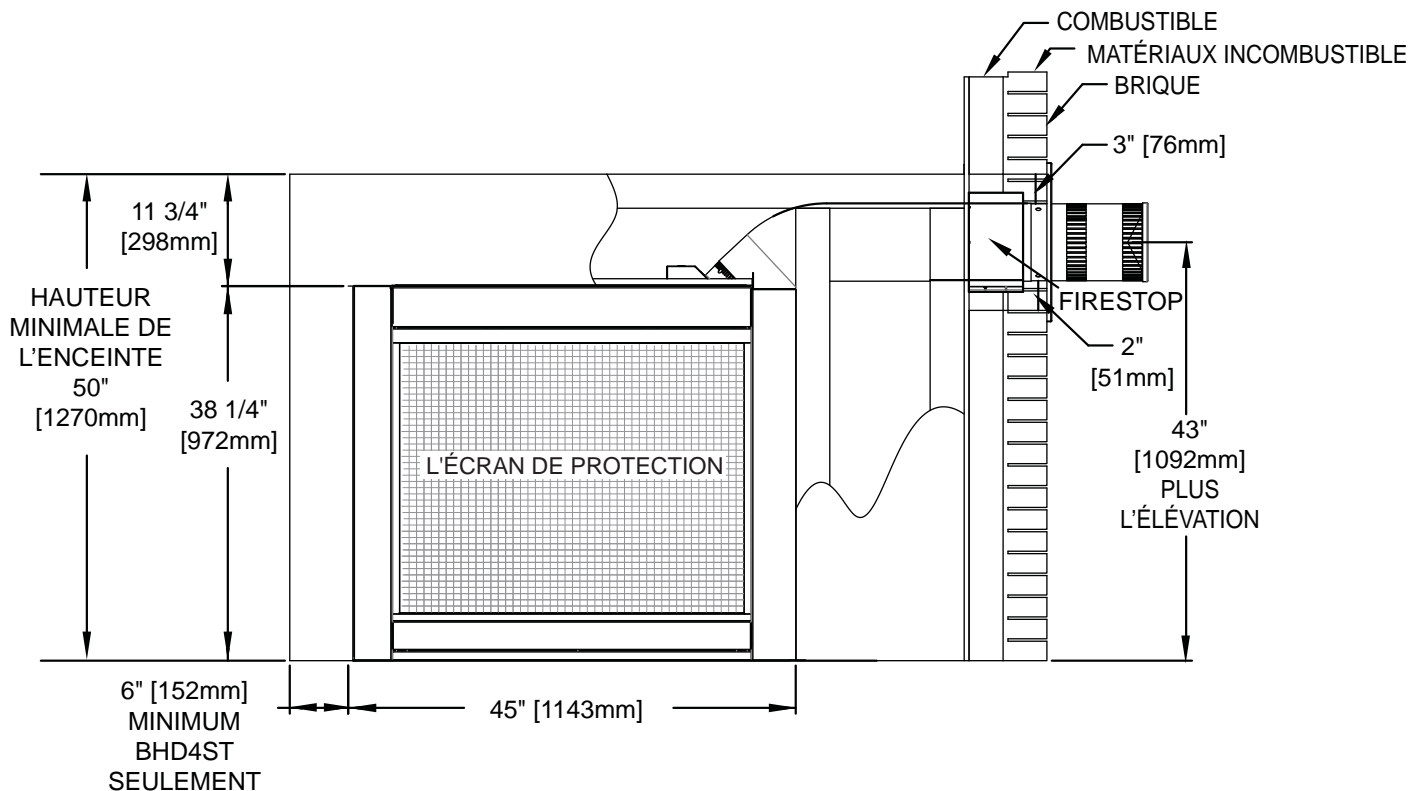
**B: MIN 42 1/2" (1080mm)**  
**MAX 43 1/2" (1105mm)**



**NOTE:** Toute les dimensions de l'ossature sont basés sur la position du support de finition. L'ossature peut changer dépendant de l'épaisseur du matériaux de finition. (Voir la section « ADJUSTEMENT DE LA SUPPORT DE FINITIONS »).

## 5.2 DÉGAGEMENTS MINIMAUX AUX MATÉRIEAUX COMBUSTIBLES

**IMPORTANT:** Le BHD4 requiert une hauteur d'enceinte minimale de 50" (1270mm), à partir de la base de l'appareil. Afin de respecter les contraintes de température, cet espace doit demeurer sans obstruction.



\* À l'intérieur de l'enceinte, un dégagement de 3" (76mm) est requis entre le haut du conduit d'évacuation et les matériaux combustibles. Pour tout autre dégagement à l'intérieur de l'enceinte, y compris l'endroit où le conduit d'évacuation sort de l'enceinte, l'espacement requis est de 2" (51mm) à partir des côtés et du bas, de 3" (76mm) à partir du haut pour les sections horizontales, et de 2" (51mm) pour les sections verticales.

\*\* Consultez la section « Évacuation ».

**NOTE: CET APPAREIL NE SUPPORTE AUCUNE CHARGE.**

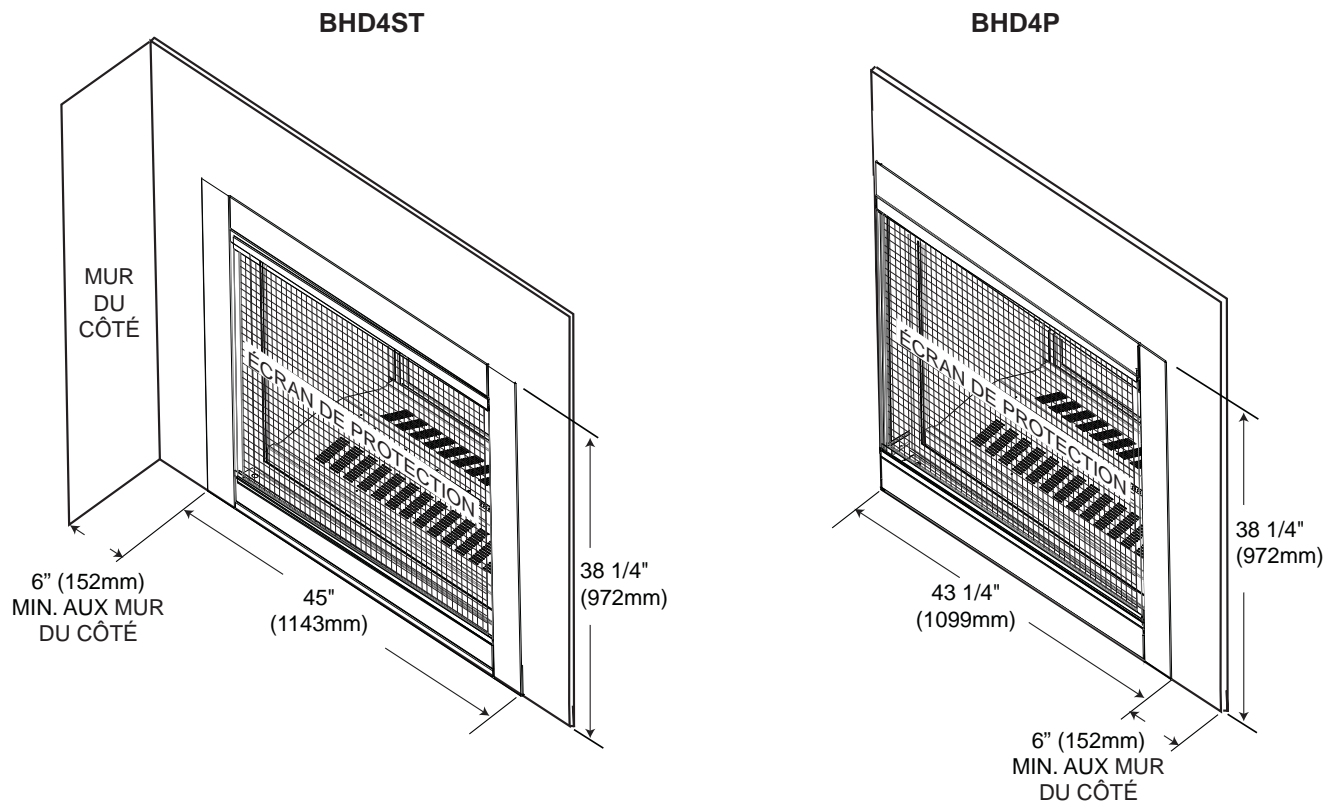
**IMPORTANT:** L'assemblage de l'espaceur coupe-feu fourni doit être utilisé lorsque les conduits d'évent passent à travers un mur ou dans des installations avec terminaison horizontale.



## 5.3 INSTALLATION DU MATÉRIAU COMBUSTIBLE

**! AVERTISSEMENT**

LA SURFACE AU-DESSUS DE L'APPAREIL DEVIENT TRÈS CHAUDE. SI DES MATÉRIEAUX DE FINITION INADÉQUATS SONT UTILISÉS, DES CRAQUELURES PEUVENT APPARAÎTRE.

**Composé à joints au besoin**

Des composés à joints tels Durabond 90 et des rubans à joints résistants à la chaleur et aux craquelures devraient être utilisés lorsque vous posez du ruban à joints et que vous comblez des joints.

**Installation des carreaux et du coulis**

Nous recommandons d'utiliser des carreaux à joints secs et de les installer à l'aide d'un mortier à deux composants avec un additif au latex acrylique tel que Mapei Kerabond/Kerlastic, pour permettre un léger mouvement lors du fonctionnement normal de l'appareil.

Si du coulis est utilisé entre les carreaux, un coulis à base de polymère tel que Mapei Ultracolor plus est recommandé.

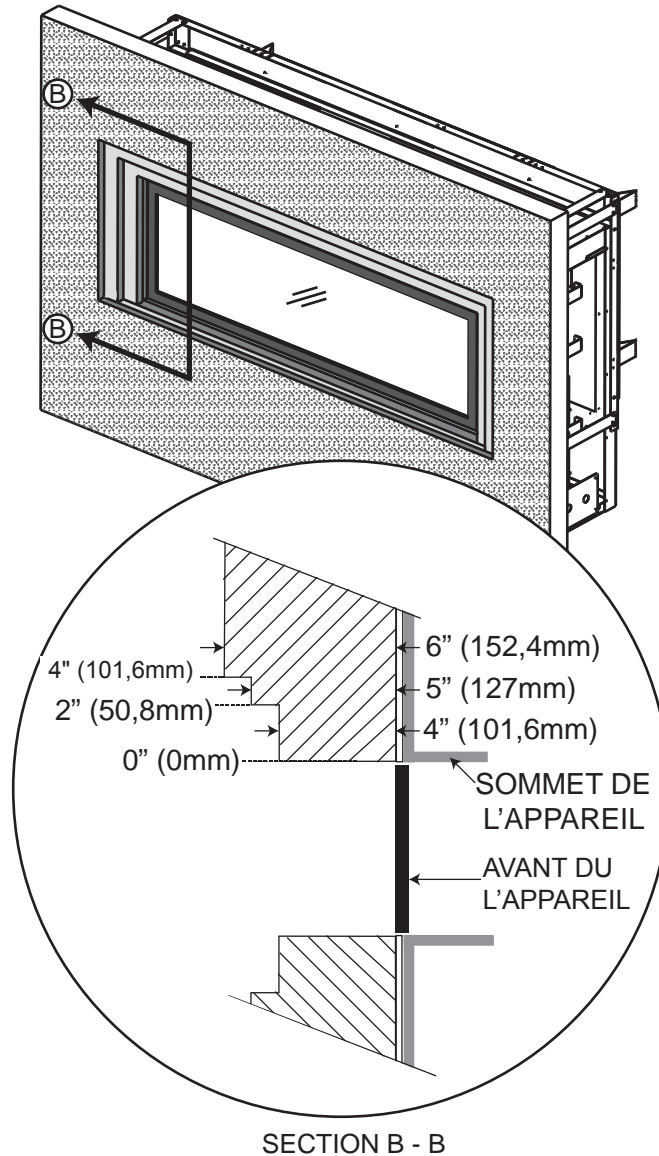
**Apprêt/Peinture**

Pour une surface peinte, utilisez un apprêt au latex 100 % acrylique et une couche de finition.



## 5.4 MATÉRIAUX DE FINITION INCOMBUSTIBLES

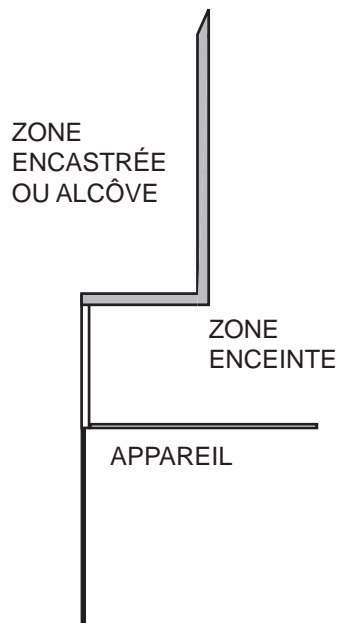
**AVERTISSEMENT:** Les matériaux de finition incombustibles ne doivent pas dépasser de plus 4" (101,6mm) la façade de la porte (sur toutes côtés). Si des projections plus grandes sont requises, augmentez les dégagements des côtés et du dessus de 2" (50,8mm) pour chaque pouce (24,5mm) supplémentaire de projection. Si vous utilisez un moulure optionnelle, les mêmes règles s'applique, commençant du sommet du moulure. Garantir que les dégagements sont maintenus pour l'enlèvement du moulure, vous devez l'enlever de l'appareil pour l'entretien.



71.6

## 5.5 INSTALLATION EN ALCÔVE

FR



**NOTE :** Les zones encastrées ou les alcôves au dessus de l'appareil peuvent être aussi profondes que désiré tant que les dégagements minimaux aux matériaux combustibles sont respectés.

Vous pouvez utiliser un matériau incombustible, pourvu que les dégagements minimaux aux matériaux combustibles soient appliqués.

Le volume minimal de l'enceinte doit être augmenté d'au moins la valeur du volume de la zone encastrée. Cet ajustement peut être réalisé en augmentant une ou toutes les dimensions de l'enceinte.

---

71.2

## 5.6 DÉGAGEMENTS MINIMAUX DE LA TABLETTE

**! AVERTISSEMENT**

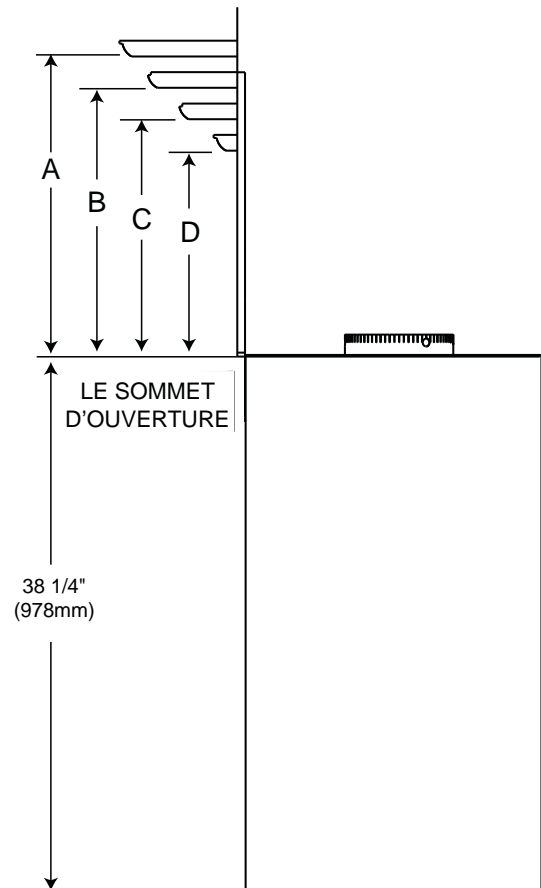
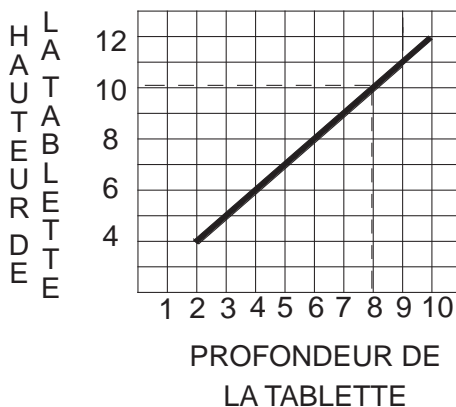
**RISQUE D'INCENDIE. CONSERVEZ TOUS LES DÉGAGEMENTS AUX MATÉRIAUX COMBUSTIBLES SPÉCIFIÉS. NE PAS RESPECTER CES INSTRUCTIONS PEUT CAUSER UN INCENDIE OU UNE SURCHAUFFE. ASSUREZ-VOUS QUE TOUS LES DÉGAGEMENTS (ARRIÈRE, CÔTÉS, DESSUS, ÉVENTS, TABLETTE, FAÇADE, ETC.) SONT RESPECTÉS À LA LETTRE.**

**LORSQUE VOUS UTILISEZ DE LA PEINTURE OU DU VERNIS COMME FINITION POUR VOTRE TABLETTE, ASSUREZ-VOUS QU'ILS SOIENT RÉSISTANTS À LA CHALEUR AFIN DE PRÉVENIR LA DÉCOLORATION.**

73.1

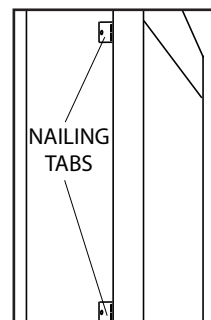
Le dégagement d'une tablette combustible peut varier selon la profondeur de la tablette. Utilisez le graphique pour vous aider à déterminer le dégagement nécessaire.

DIMENSIONS DE LA TABLETTE		
Ref	Hauteur	Plafondeur
D	4" (102mm)	2" (51mm)
C	6" (152mm)	4" (102mm)
B	8" (203mm)	6" (152mm)
A	10" (254mm)	8" (203mm)



## 5.7 INSTALLATION DES SUPPORTS DE FIXATION

- A. Afin de déterminer l'emplacement définitif des supports de fixation, vous devez d'abord calculer l'épaisseur des matériaux de finition (p. ex. panneau de gypse). Ceci permettra de calculer les dimensions à partir de la face du caisson extérieur jusqu'aux supports de fixation. Une fois que vous avez déterminé l'emplacement définitif, fixez à l'aide d'une vis auto-perceuse\*.



55.2

## 6.0 FINITIONS

**! AVERTISSEMENT****RISQUE D'INCENDIE!****N'OBSTRUEZ JAMAIS L'OUVERTURE SUR LE DEVANT DE L'APPAREIL.**

**LA FAÇADE DE L'APPAREIL DOIT ÊTRE FAITE DE MATÉRIAUX INCOMBUSTIBLES COMME DE LA BRIQUÉ, DU MARBRE, DU GRANITE, ETC., À CONDITION QUE CES MATÉRIAUX NE SE TROUVENT PAS EN DEÇÀ DE LA DIMENSION SPÉCIFIÉE TEL QU'ILLUSTRÉ. COMME ALTERNATIVE, VOUS POUVEZ UTILISER LE PANNEAU DE GYPSE COMME FINITION POUR VOTRE APPAREIL, VOIR LES ILLUSTRATIONS À SUIVRE.**

**NE FRAPPEZ PAS, NE CLAQUEZ PAS ET N'ÉGRATIGNEZ PAS LA PORTE VITRÉE. NE FAITES PAS FONCTIONNER L'APPAREIL LORSQUE LA PORTE VITRÉE EST ENLEVÉE, FISSURÉE, BRISÉE OU ÉGRATIGNÉE.**

**LES MATÉRIAUX DE FAÇADE OU DE FINITION NE DOIVENT JAMAIS EMPIÉTER SUR L'OUVERTURE DE L'APPAREIL.**

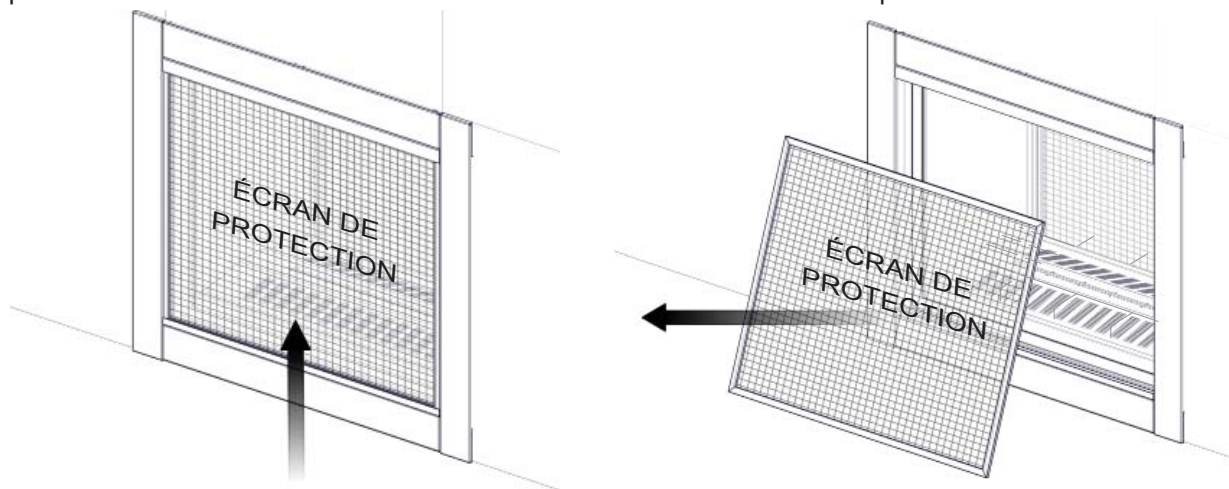
**L'ASSEMBLAGE DE LA PORTE EST CONÇU POUR PIVOTER VERS L'AVANT DE L'ÉVACUATION D'UN SURPLUS DE PRESSION QUI POURRAIT SURVENIR. LES MATÉRIAUX DE FINITION OU TOUT AUTRE MATÉRIAU NE DOIVENT PAS EMPIÉTER SUR L'OUVERTURE ENTOURANT LA PORTE PUISQU'IL NUIRONT AU FONCTIONNEMENT DE LA PORTE LORS DE L'ÉVACUATION D'UN SURPLUS DE PRESSION**

72.6

## 6.1 RETRAIT DE L'ÉCRAN DE PROTECTION CÔTÉ ET L'INSTALLATION

**Une barrière conçu à réduire le risque de brûlures à partir de la chaude la vitre est à condition que avec l'appareil et sera être installés.**

Avant d'enlever la porte vitrée, l'écran de protection doit être enlever. Soulevez l'ecran et tirez-le hors de la pièce de retenue inférieure. Tirez l'ecran vers le bas et hors du retenue supérieure.

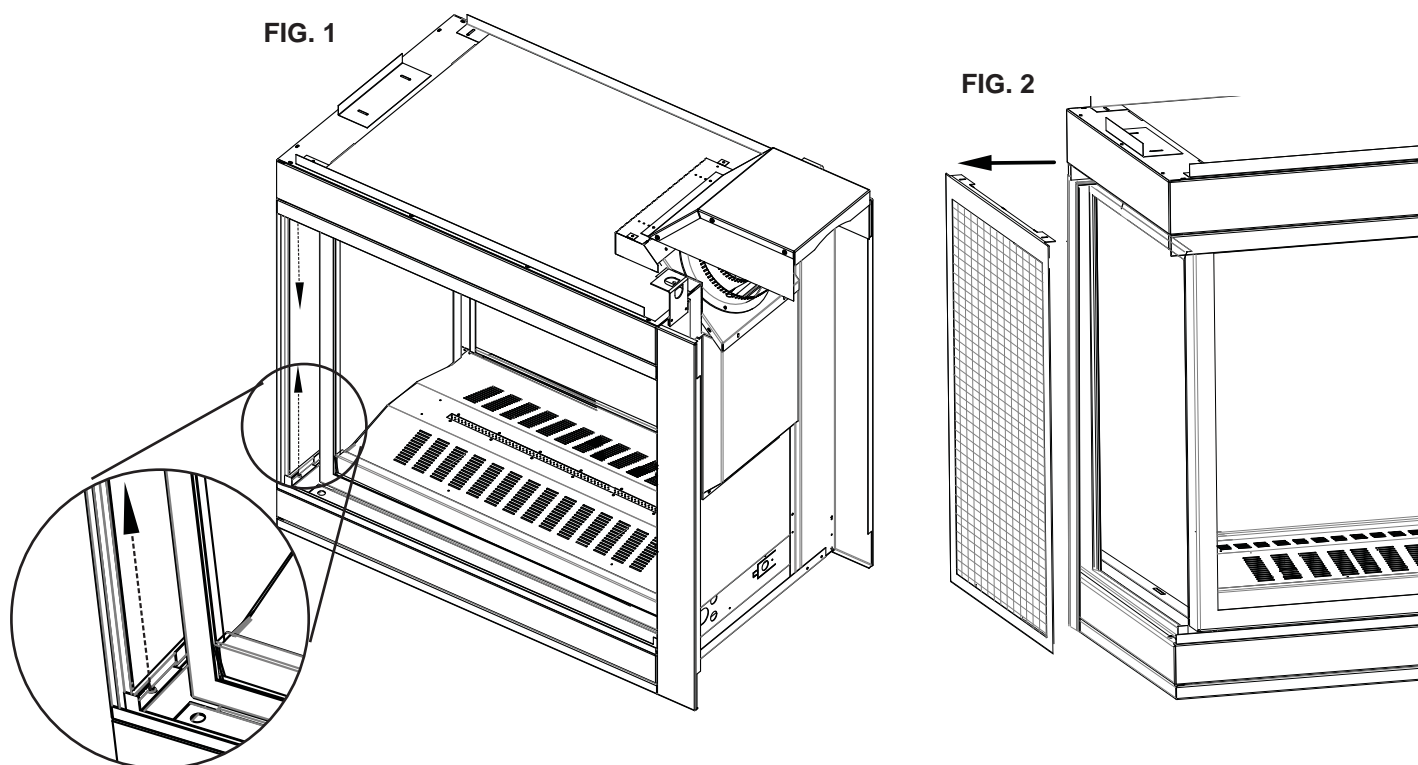


Inversez ces étapes pour réinstaller l'écran de protection et la porte. Assurez la ecran de protection est correctement installé.

## 6.2 RETRAIT DE L'ÉCRAN DE PROTECTION FIN ET L'INSTALLATION (SEULEMENT BHD4P)

**NOTE:** La côté de l'écran doit être enlevée avant de mettre fin à l'enlèvement de l'écran.

- A. Enlevez le 4 vis situées sur le supérieure et inférieure de la retenue de l'écran de fin, référez Figure 1.
- B. Tirez l'écran vers l'avant et l'extérieur de l'appareil, référez Figure 2.



FR

## 6.3 INSTALLATION/ENLÈVEMENT DE LA PORTE

### ! AVERTISSEMENT

LA VITRE PEUT ÊTRE CHAUDE, NE TOUCHEZ PAS LA VITRE JUSQU'À CE QU'ELLE AIT REFROIDI.

LES LOQUETS DE PORTE FONT PARTIE D'UN DISPOSITIF DE SÉCURITÉ ET DOIVENT ÊTRE ADÉQUATEMENT VERROUILLÉS. NE FAITES PAS FONCTIONNER L'APPAREIL LORSQUE LES LOQUETS SONT DÉVERROUILLÉS.

LES MATÉRIAUX DE FAÇADE ET DE FINITION NE DOIVENT PAS NUIRE À LA CIRCULATION DE L'AIR DANS LES OUVERTURES D'AIR ET LES PERSIENNES, NI AU FONCTIONNEMENT DES PERSIENNES OU DES PORTES. ILS NE DOIVENT PAS NON PLUS ENTRAVER L'ACCÈS POUR L'ENTRETIEN. RESPECTEZ TOUS LES DÉGAGEMENTS AUX MATÉRIAUX COMBUSTIBLES.

AVANT D'ENLEVER LA PORTE, ÉTEIGNEZ L'APPAREIL ET ATTENDEZ QUE CE DERNIER SOIT FROID AU TOUCHER. LES PORTES SONT LOURDES ET FRAGILES; MANIPULEZ AVEC SOIN.

75.1

- A. Enlevez l'écran, voir la section "RETRAIT DE L'ÉCRAN".
- B. Desserrer mais ne pas retirer les trois vis de fixation de la retenue supérieur et retirez retenue loin de l'appareil, voir Figure 1.
- C. Il y a 2 loquets au sommet de chaque porte.
- D. Utiliser l'outil fourni, tirer le loquet en avant et vers le haut, puis hors de l'entaille dans la porte, comme illustré. Garantir de garder une main sur la porte à tout instant, pour l'empêcher de tomber par terre.
- E. Quand les loquets sont relâchés tirer la porte en avant et lors de la support au fond de la porte.
- F. Renverser ce processus pour installer la porte.

LES LOQUETS SONT ILLUSTRÉE CI-DESSOUS.

FIG. 1

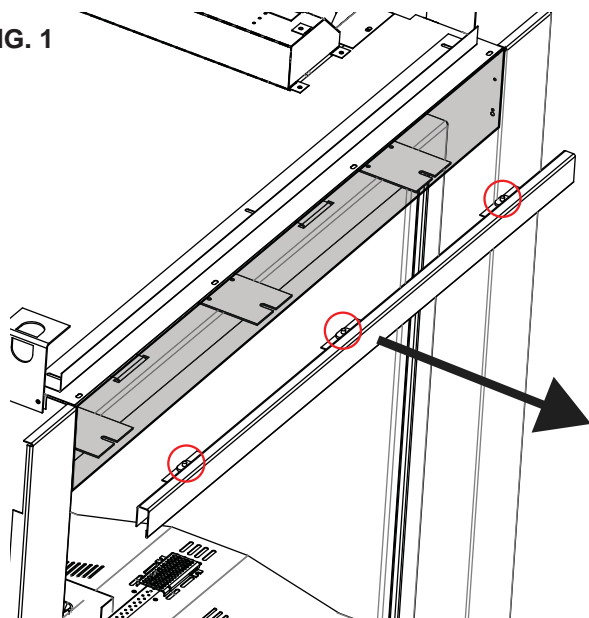
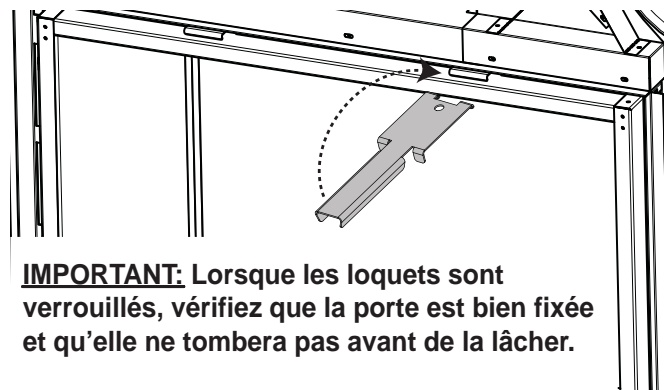
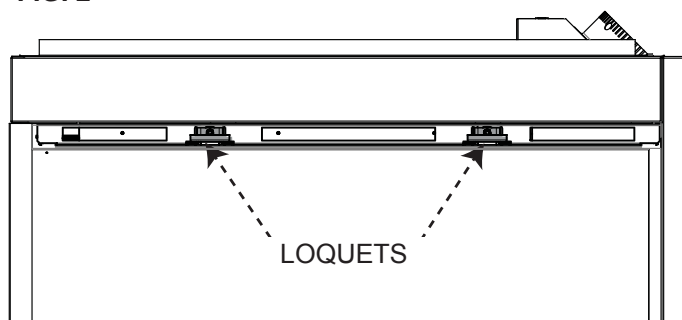


FIG. 2

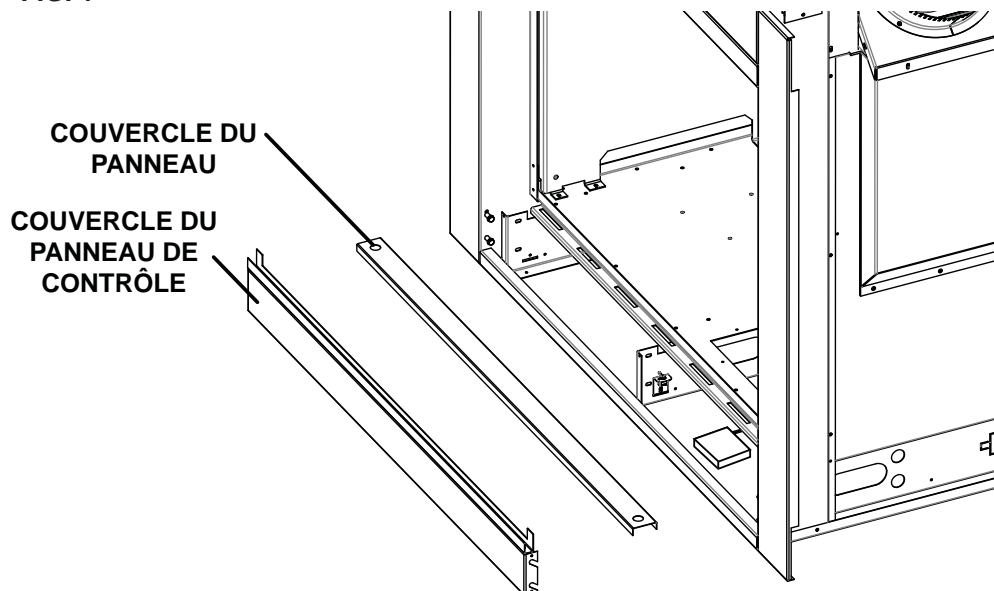




## 6.4 ENLÈVEMENT DE PANNEAU DE CONTRÔLE

- A. Enlevez l'écran, référer la section "RETRAIT DE L'ÉCRAN DE CÔTÉ"
- B. Soulevez la deuxième panneau utilisant le trous et tirez l'avant éloignant du l'appareil, voir Figure 1.
- C. Soulevez l'inférieur panneau hors de l'appareil

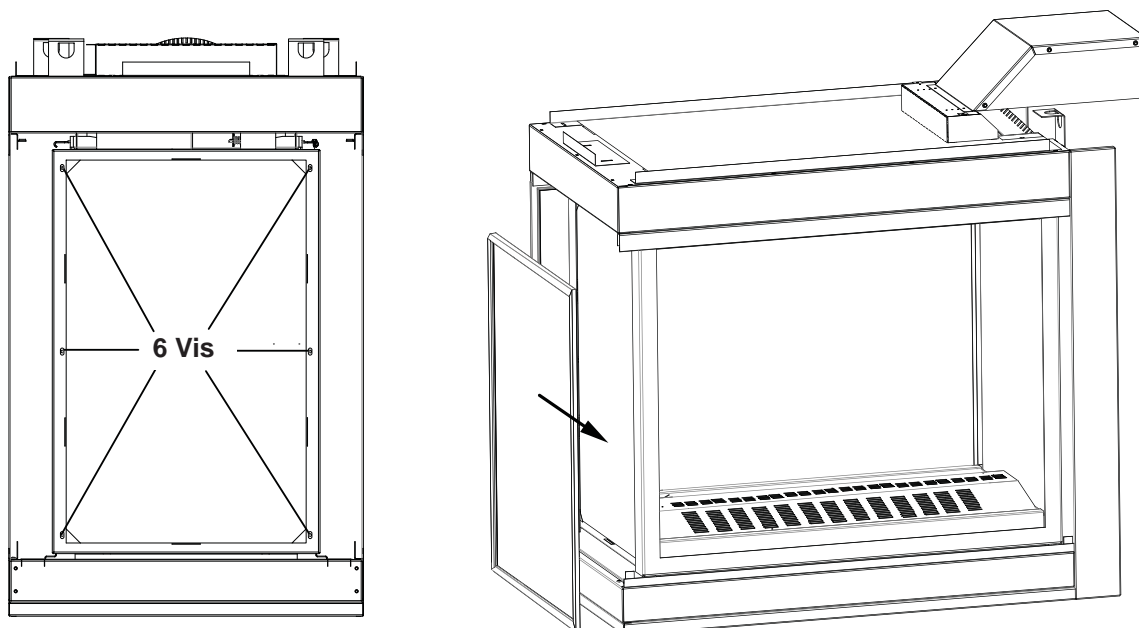
FIG. 1



## 6.5 ENLÈVEMENT DE LA PORTE D'EXTRÉMITÉ / INSTALLATION (SEULEMENT BHD4P)

**NOTE:** L'écran doit être enlevée avant de mettre fin à l'enlèvement de l'écran, référer la section "RETRAIT DE L'ÉCRAN DE CÔTÉ ET L'INSTALLATION".

- A. Enlevez les portes principales de l'appareil. Pour ce faire, reportez-vous à la section « ENLÈVEMENT ET INSTALLATION DES PORTES ».
- B. Enlevez les 6 vis qui retiennent la porte d'extrémité, comme illustré ci-dessous. **Pour empêcher la porte de tomber, retenez-la en tout temps avec votre main, depuis l'intérieur de l'appareil.**
- C. Inclinez le haut de la porte vers le bas et retirez-la avec soin de l'appareil.
- D. Pour installer la porte d'extrémité, répétez ces étapes dans l'ordre inverse.



## 6.6 INSTALLATION DES BASES DE PROTECTION (BHD4ST ET BHD4P SEULEMENT)

**NOTE:** Chacune des base de protections est facilement identifiable par son numéro moulé en dessous.

**NOTE:** Le pilote est située à la côté droite dans ces instructions.

- A. Enlever les portes, voir la section «INSTALLATION/ ENLÈVEMENT DE LA PORTE» pour les instructions d'enlèvement.
- B. Placer la base de protection #3 à la côté du pilote comme illustrée en Figure B.
- C. Placer la base de protection #1A à la côté droite et la base de protection #1 à la côté gauche de l'appareil, comme illustrée en Figure C.
- D. Placer les deux bases de protection #2 aux côtés droite et gauche, comme illustrée en Figure D.
- E. Placer la base de protection #4 à l'extrémité gauche, comme illustrée en Figure E.



## 6.7 DISPOSITION DES BÛCHES (BHD4ST ET BHD4P SEULEMENT)

### ! AVERTISSEMENT

OMETTRE DE POSITIONNER LES BÛCHES CONFORMÉMENT AUX SCHÉMAS OU OMETTRE D'UTILISER UNIQUEMENT DES BÛCHES SPÉCIFIQUEMENT APPROUVÉES POUR CET APPAREIL PEUT CAUSER DES DOMMAGES MATÉRIELS OU DES BLESSURES CORPORELLES.

LES BÛCHES DOIVENT ÊTRE PLACÉES CORRECTEMENT À L'INTÉRIEUR DE L'APPAREIL. NE CHANGEZ PAS LA POSITION DES BÛCHES CAR L'APPAREIL RISQUE DE NE PAS FONCTIONNER ADEQUATEMENT ET UN RETARD D'ALLUMAGE RISQUE DE SE PRODUIRE.

LES BÛCHES SONT FRAGILES ET DEVRAIENT ÊTRE MANIPULÉES AVEC SOIN.

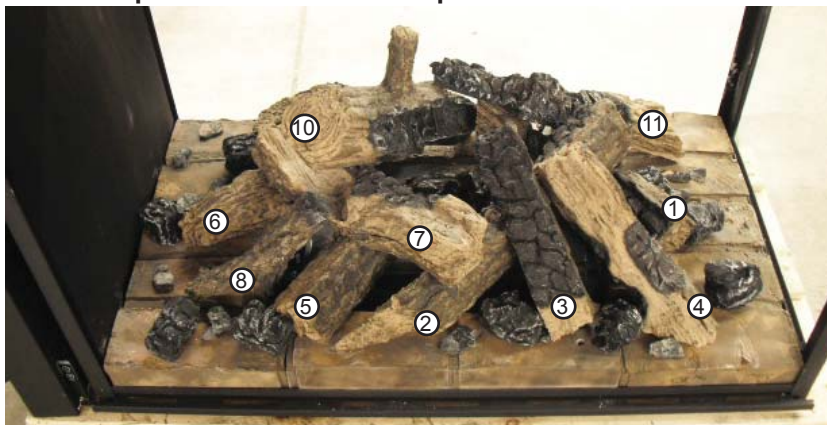
76.1A

**NOTE:** Chacune des bûches est facilement identifiable par son numéro moulé en dessous.

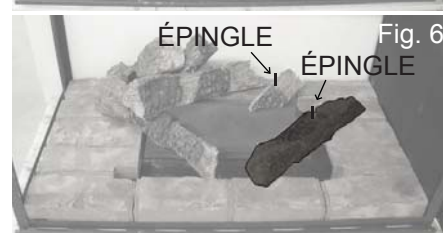
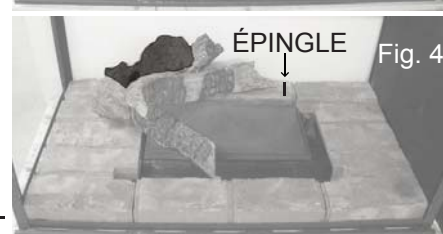
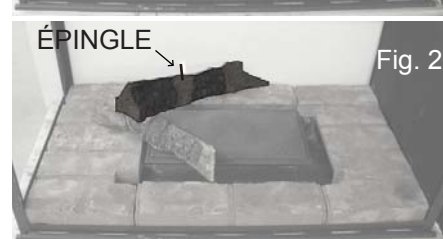
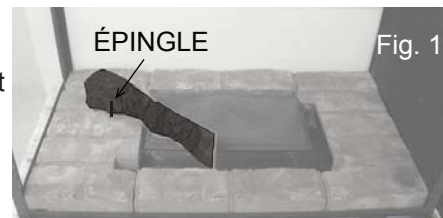
Les bûches PHAZER™, exclusives aux appareils NAPOLÉON®, créent un effet incandescent réaliste et unique qui est différent dans chaque installation. Lors de l'utilisation initiale de l'appareil, les couleurs deviendront plus uniformes à mesure que leurs pigments seront absorbés pendant le procédé de cuisson.

**NOTE:** Le pilote est située à la côté droite dans ces instructions.

1. Enlever les portes, voir la section «INSTALLATION/ENLÈVEMENT DE LA PORTE» pour les instructions d'enlèvement.
2. Placer bûche #1 sur l'épingle au coin du bruleur et l'épingle aux base de protection à la côté gauche. Placer une épingle au centre de la bûche #1, comme illustrée en Figure 1.
3. Placer bûche #2 sur l'épingle en bûche #1, il devrait se reposer sur le milieu de la base de protection à la côté droite, comme illustrée en Figure 2. Placer une épingle au centre de la bûche #2, comme illustrée en Figure 2.
4. Placer bûche #3 sur l'épingle en bûche #2, il devrait se reposer sur la base de protection à la côté droite, comme illustrée en Figure 3. Placer une épingle dans bûche #2, comme illustrée en Figure 2.
5. Placer bûche #4 sur l'épingle en bûche #2, il devrait se reposer sur la base de protection à la côté droite, comme illustrée en Figure 4 et au vue du côté gauche ci-dessous.
6. Placer bûche #5 sur l'épingle de la base de protection, à la côté droite, il devrait se reposer sur la bruleur, comme illustrée en Figure 5. **NOTE:** Garantir que bûche #5 ne couvre pas les orifices du brûleur.
7. Placer bûche #6 sur l'épingle à la coin gauche du bruleur, puis placer une épingle au centre de la bûche, comme illustrée en Figure 6. **NOTE:** Garantir que bûche #6 ne couvre pas les orifices du brûleur.

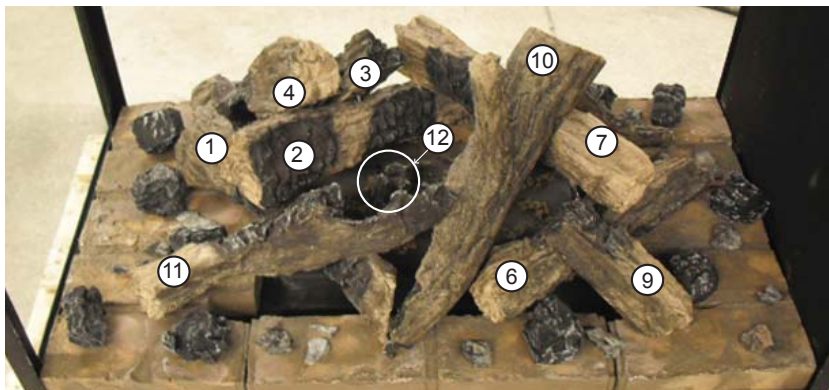


VUE DU CÔTÉ GAUCHE

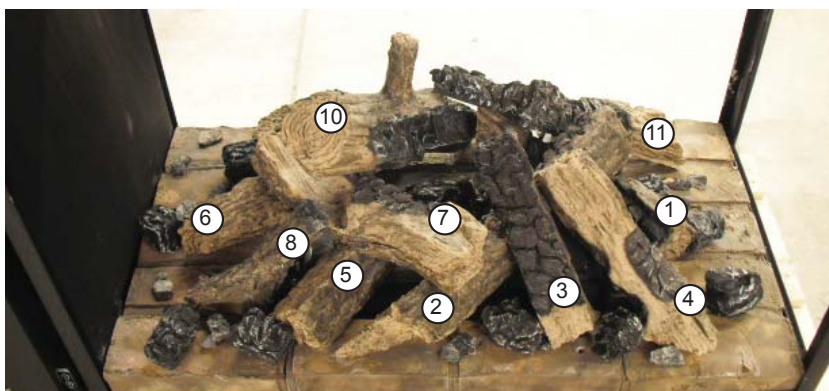


8. Placer bûche #7 sur les épingles en bûche #5 et bûche #6, comme illustrée en Figure 7.
9. Placer bûche #8 sur la base de protection, il devrait se reposer sur la retrait du bûche #6, comme illustrée en Figure 8. **HINT: La meilleure vue du bûche #8 est montrée dans la vue gauche ci-dessous.**
10. Placer bûche #9 sur l'épingle en bûche #7, il devrait se reposer sur la base de protection à la côté droite. Placer une épingle dans la bûche #6, comme illustrée en Figure 9.
11. Placer bûche #10 sur l'épingle en bûche #7, il devrait se reposer sur la centre de la base de protection à la côté gauche, comme illustrée en Figure 10. Placer une épingle dans la bûche #1, comme illustrée en Figure 10.
12. Placer bûche #11 sur l'épingle en bûche #1, il devrait se reposer sur la base de protection à la côté gauche, comme illustrée en Figure 11.
13. Placer la morceau de charbon #12 sur les deux épingles au centre du bruleur, comme illustrée en Figure 12.
14. Déchirez les braises incandescentes en petits morceaux placez-les sur le brûleur. Les braises seront incandescentes seulement lorsqu'elles sont exposées à une flamme directe.
15. Éparpillez les braises de charbon sur les bases de protection et puis placer les morceaux de charbon, comme illustrée ci-dessous.

**NOTE: Ne couvre pas les orifices du brûleur ou le pilote avec les morceaux ou les braises de charbon. Ne remplir pas trop.**



VUE DU CÔTÉ DROITE



VUE DU CÔTÉ GAUCHE



Fig. 7

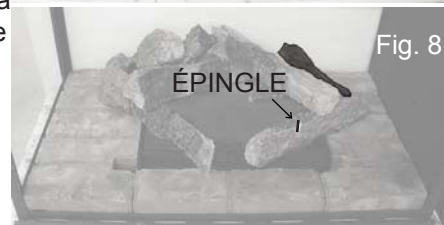


Fig. 8

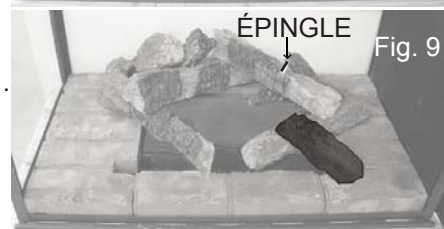


Fig. 9

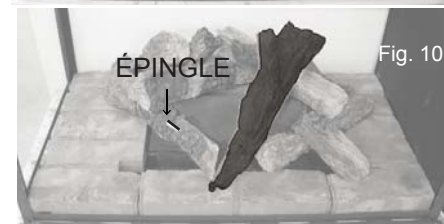


Fig. 10

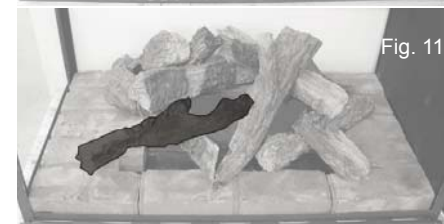


Fig. 11



Fig. 12

## 6.8 INSTALLATION DES BRAISES VITRIFIÉES

<b>! AVERTISSEMENT</b>
<b>NETTOYEZ LES BRAISES VITRIFIÉES AVANT L'INSTALLATION. ASSUREZ-VOUS QU'ELLES SONT SÈCHES AVANT DE LES DISPOSER DANS LE PLATEAU.</b>
<b>NE CHANGEZ PAS OU NE SUBSTITUEZ PAS LES BRAISES VITRIFIÉES FOURNIES AVEC CET APPAREIL. EN CAS DE REMPLACEMENT, N'UTILISEZ QUE LES BRAISES VITRIFIÉES DE RECHANGE DISPONIBLES CHEZ VOTRE DÉTAILLANT AUTORISÉ.</b>
<b>SEULEMENT ÉTALER UNE COUVERTURE MINCE DE BRAISES VITRIFIÉES SUR LA MAILLE PILOTE POUR QU'IL N'INTERFÈRE PAS AVEC L'OPÉRATION PILOTE.</b>

FR

Éparpillez soigneusement les braises vitrifiées sur le plateau de manière uniforme. Assurez-vous qu'aucun morceau de verre ne tombe dans la zone du brûleur. Si cela se produit, installez un nouveau sac dans votre aspirateur et aspirez les braises vitrifiées. Des braises vitrifiées de rechange peuvent être commandées auprès de votre détaillant autorisé.

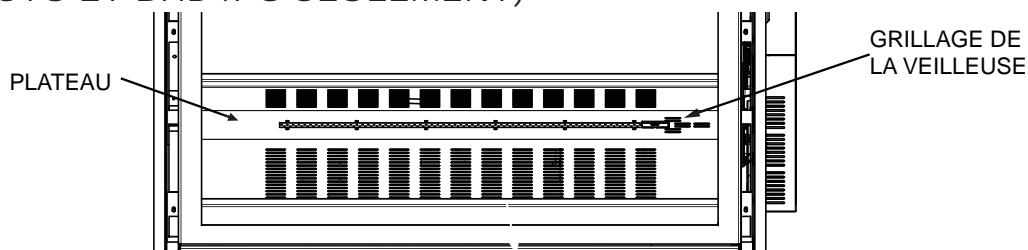
**NETTOYAGE DES BRAISES VITRIFIÉES**

Il est possible qu'un film huileux recouvre les braises. Avant de les disposer dans le plateau, nettoyez les braises avec un savon à vaisselle doux, égouttez-les, rincez-les à fond et laissez-les sécher.

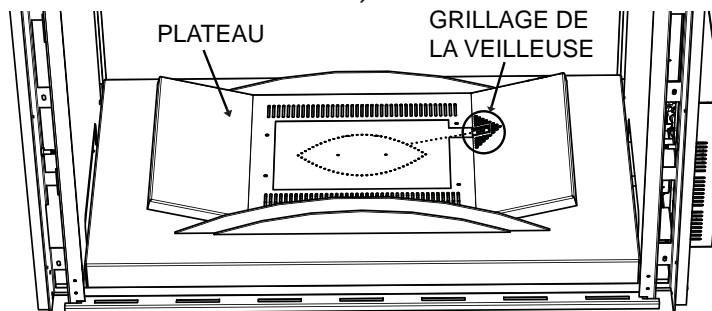
74.2B

**NOTE :** Les braises vitrifiées peuvent couvrir le plateau et la canal du brûleur. Utiliser la soin autour de la grillage du pilote.

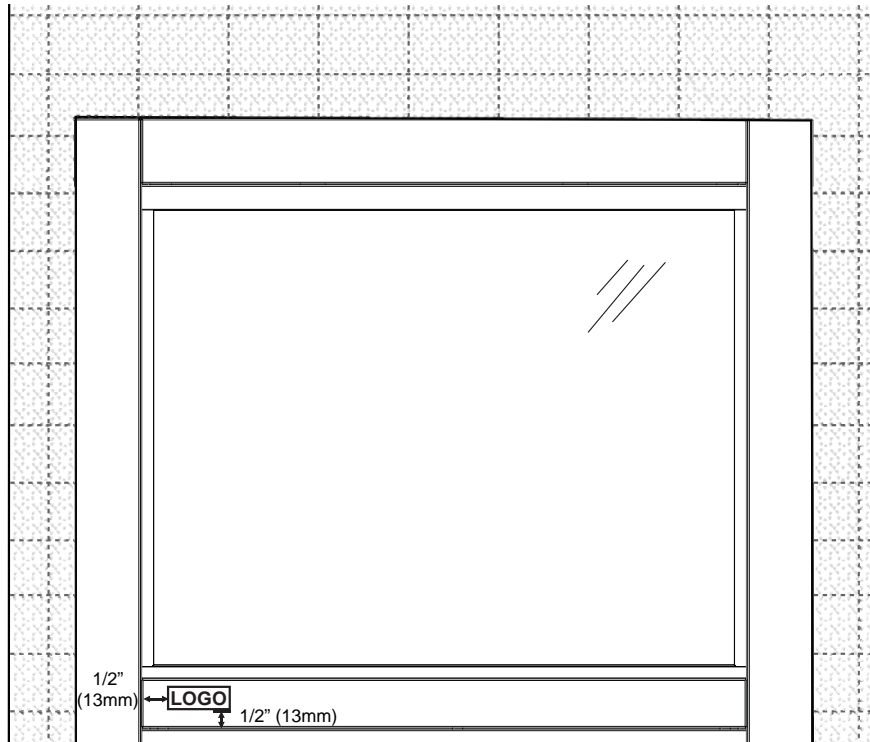
(BHD4STG ET BHD4PG SEULEMENT)



(BHD4STC ET BHD4C SEULEMENT)



## 6.10 MISE EN PLACE DU LOGO



## 7.0 BRANCHEMENT ÉLECTRIQUE

<b>⚠ AVERTISSEMENT</b>
<b>N'UTILISEZ PAS CE FOYER SI UNE PARTIE QUELCONQUE A ÉTÉ SUBMERGÉE. CONTACTEZ IMMÉDIATEMENT UN TECHNICIEN DE SERVICE QUALIFIÉ POUR INSPECTER L'APPAREIL POUR DES DOMMAGES AU CIRCUIT ÉLECTRIQUE.</b>
<b>RISQUE DE CHOCS ÉLECTRIQUES OU D'EXPLOSION. NE BRANCHEZ PAS LE 110 V À LA SOUPAPE OU À L'INTERRUPTEUR MURAL DE L'APPAREIL. UN BRANCHEMENT ÉLECTRIQUE INCORRECT ENDOMMAGERA LES CONTRÔLES.</b>
<b>CET APPAREIL DOIT ÊTRE RACCORDÉ ÉLECTRIQUEMENT PAR UN ÉLECTRICIEN QUALIFIÉ CONFORMÉMENT AUX CODES LOCAUX. EN L'ABSENCE DE CODES LOCAUX, UTILISEZ LA VERSION COURANTE DU CODE CANADIEN DE L'ÉLECTRICITÉ CSA C22.1 AU CANADA OU LE NATIONAL ELECTRICAL CODE ANSI/NFPA 70 AUX ÉTATS-UNIS.</b>
<b>ALLUMEZ TOUJOURS LA VEILLEUSE, QUE CE SOIT POUR LA PREMIÈRE FOIS OU LORSQUE L'APPROVISIONNEMENT EN GAZ EST ÉPUISÉ, AVEC LA PORTE VITRÉE OUVERTE OU RETIRÉE.</b>

69.2

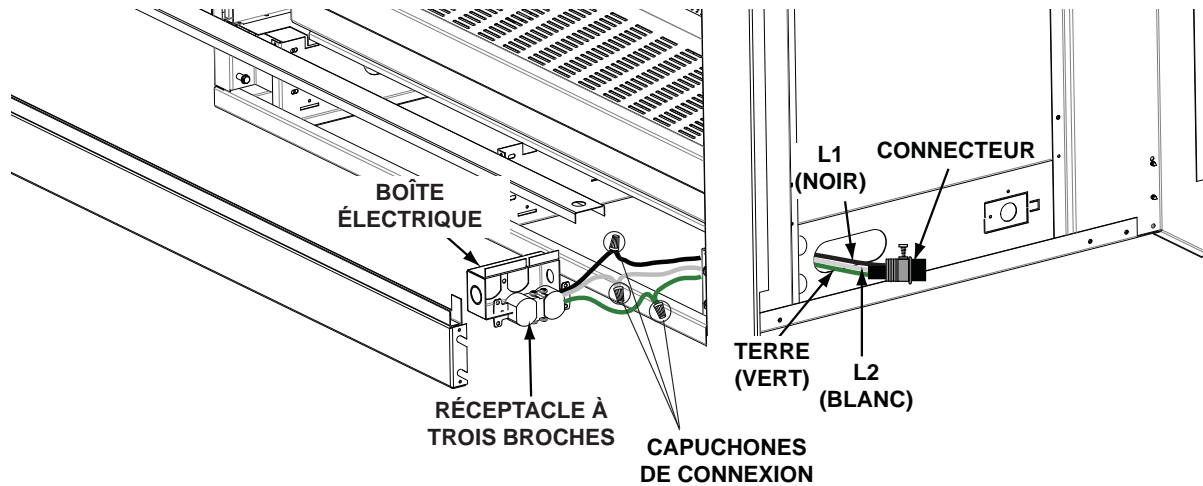
## 7.1 BRANCHEMENT PAR CÂBLE

Vous devez effectuer un branchement par câble avec cet appareil.

Une charpente permanente servant à encastrier l'appareil nécessite un branchement par câble de la boîte de dérivation de l'appareil.

Cet appareil doit être raccordé électriquement et mis à la terre conformément aux codes locaux. En l'absence de codes locaux, utilisez la version courante du CODE CANADIEN DE L'ÉLECTRICITÉ CSA C22.1 au Canada ou le NATIONAL ELECTRICAL CODE ANSI/NFPA 70-1996 aux États-Unis.

## 7.2 SCHÉMA DE CÂBLAGE DU RÉCEPTACLE



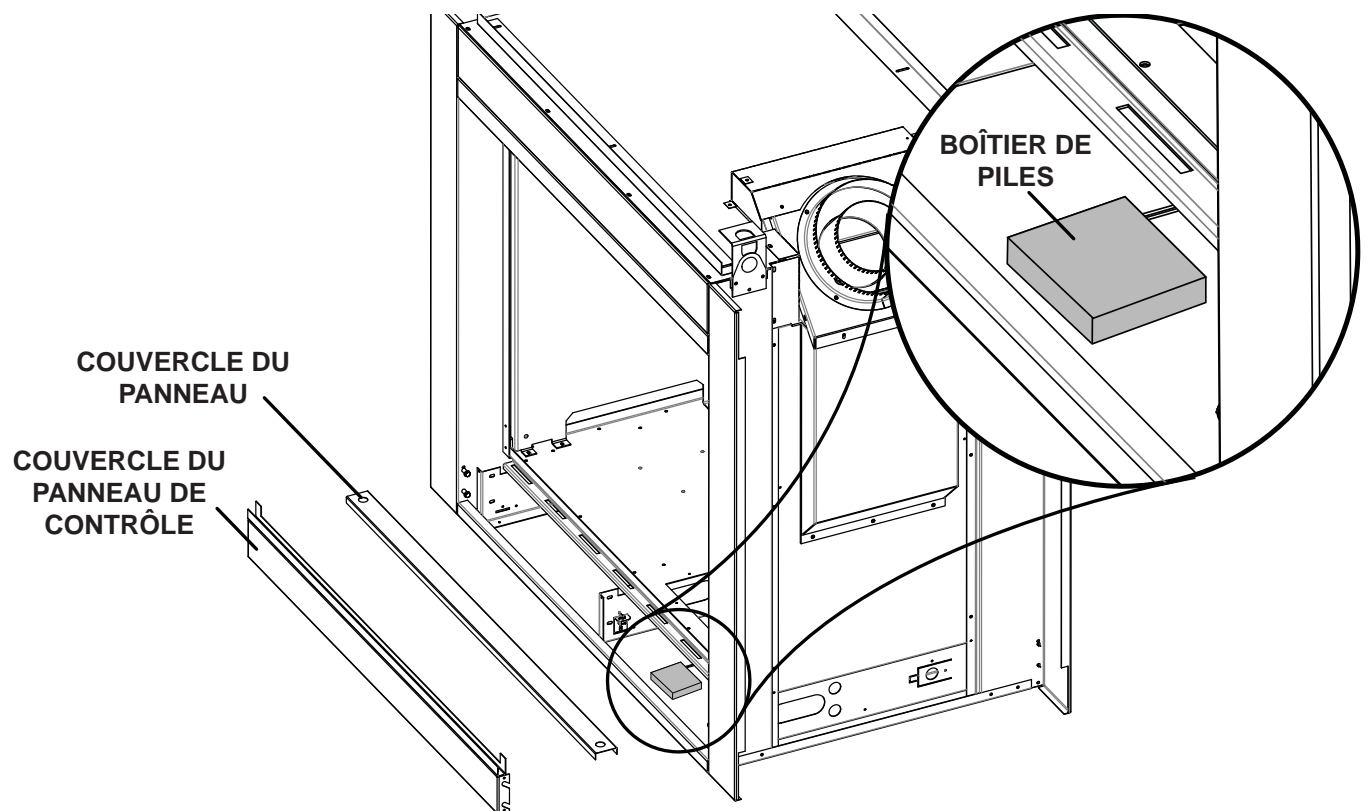
**NOTE:** Garantir que le transformateur est connecté à la réceptacle.



## 7.3 INSTALLATION DE LA SAUVEGARDE DE PILE

- A. En cas de panne de courant trouver votre boîtier de piles (fourni aux sac du manuel).
- B. Installez les 4 piles "AA", s'il n'est pas déjà installé
- C. Connecter le boîtier de piles connecteur de pile situé dans le coin inférieur de l'appareil (comme illustrée ci-dessous).

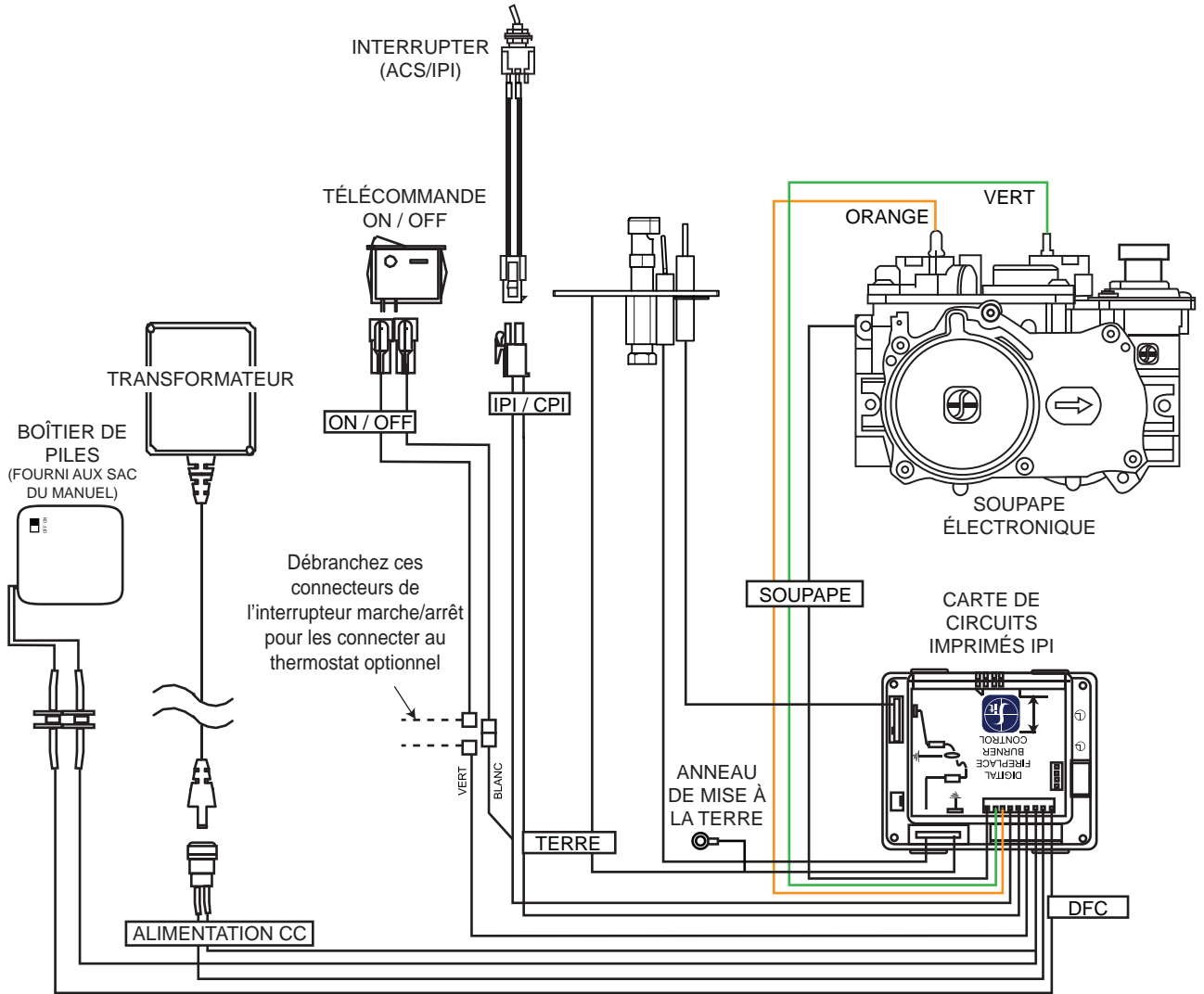
**NOTE:** Il est recommandé que vous changez les piles au début de la saison de chauffage.



**! AVERTISSEMENT**

**NE BRANCHEZ PAS LE 110 V À LA SOUPEPE OU À L'INTERRUPTEUR MURAL DE L'APPAREIL.**

Cette appareil est fourni avec une sauvegarde de pile. Si la sauvegarde est utilisé, installez 4 piles "AA" (non-fourni) dans la boîte de piles et connectez au harnais de fil.





## 8.0 INSTRUCTIONS DE FONCTIONNEMENT

Lorsqu'il est allumé pour la première fois, ce foyer dégagera une légère odeur pendant quelques heures. Cela est une condition normale temporaire causée par le conditionnement des bûches et l'évaporation des peintures et lubrifiants internes utilisés dans le processus de fabrication; elle ne se reproduira plus. Simplement ouvrez une fenêtre pour aérer la pièce. Après de longues périodes sans utiliser le foyer, comme à la suite de vacances ou à la fin de l'été, il se peut qu'une légère odeur se dégage pendant quelques heures. Ceci est causé par des particules de poussière brûlant dans l'échangeur de chaleur, ouvrez une fenêtre pour aérer la pièce.

### 8.1 INSTRUCTIONS DE FONCTIONNEMENT - POUR VOTRE SÉCURITÉ LIRE CES INSTRUCTIONS AVANT DE FAIRE FONCTIONNER

**OPERATING INSTRUCTIONS / INSTRUCTIONS D'OPERATION**  
**FOR YOUR SAFETY READ BEFORE OPERATING / POUR VOTRE SÉCURITÉ LIRE AVANT DE FAIRE FONCTIONNER**

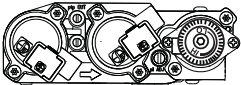
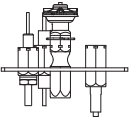
<p><b>WARNING:</b> DO NOT TURN ON IF CHILDREN OR OTHER AT RISK INDIVIDUALS ARE NEAR THE FIREPLACE. IF YOU DO NOT FOLLOW THESE INSTRUCTIONS EXACTLY, A FIRE OR EXPLOSION MAY RESULT CAUSING PROPERTY DAMAGE, PERSONAL INJURY OR LOSS OF LIFE. INITIAL LIGHTING OF THE PILOT AND MAIN BURNERS MUST BE DONE WITH THE GLASS DOOR OFF. DO NOT CONNECT VALVE OR WALL SWITCH TO ELECTRICITY. SEE INSTALLATION INSTRUCTIONS.</p> <p>A. THIS FIREPLACE IS EQUIPPED WITH AN IGNITION DEVICE WHICH AUTOMATICALLY LIGHTS THE PILOT. DO NOT TRY TO LIGHT BY HAND.</p> <p>B. BEFORE OPERATING SMELL ALL AROUND THE FIREPLACE AREA FOR GAS AND NEXT TO THE FLOOR BECAUSE SOME GAS IS HEAVIER THAN AIR AND WILL SETTLE ON THE FLOOR.</p> <p><b>WHAT TO DO IF YOU SMELL GAS:</b></p> <ul style="list-style-type: none"> <li>• TURN OFF ALL GAS TO THE FIREPLACE.</li> <li>• OPEN WINDOWS.</li> <li>• DO NOT TRY TO LIGHT ANY APPLIANCE.</li> <li>• DO NOT TOUCH ANY ELECTRIC SWITCH; DO NOT USE ANY PHONE IN YOUR BUILDING.</li> <li>• IMMEDIATELY CALL YOUR GAS SUPPLIER FROM A NEIGHBOUR'S PHONE. FOLLOW THE GAS SUPPLIER'S INSTRUCTIONS.</li> <li>• IF YOU CANNOT REACH YOUR GAS SUPPLIER, CALL THE FIRE DEPARTMENT.</li> </ul> <p>C. DO NOT TRY TO REPAIR ANY PART OF THIS ASSEMBLY. CALL A QUALIFIED SERVICE TECHNICIAN. FORCE OR ATTEMPTED REPAIR MAY RESULT IN A FIRE OR EXPLOSION.</p> <p>D. DO NOT USE THIS FIREPLACE IF ANY PART HAS BEEN UNDER WATER. IMMEDIATELY CALL A QUALIFIED SERVICE TECHNICIAN TO INSPECT THE FIREPLACE AND REPLACE ANY PART OF THE CONTROL SYSTEM AND ANY GAS CONTROL WHICH HAS BEEN UNDER WATER.</p>	<p><b>ATTENTION:</b> NE PAS ALLUMER SI DES ENFANTS OU D'AUTRES INDIVIDUS À RISQUE SONT À PROXIMITÉ DU FOYER. QUICONQUE NE RESPECTE PAS À LA LETTRE LES INSTRUCTIONS DANS LA PRÉSENTE NOTICE RISQUE DE DÉCLANCHER UN INCENDIE OU UN EXPLOSION ENTRAÎNANT DES DOMMAGES, DES BLESSURES OU LA MORT. L'ALLUMAGE INITIAL DE LA VEILLEUSE ET DU BRÛLEUR PRINCIPAL DOIT SE FAIRE AVEC LA PORTE VITRÉE ENLEVÉE. NE RACCORDEZ PAS LA SOUPEPE OU L'INTERRUPTEUR MURAL À L'ÉLECTRICITÉ. CONSULTEZ LES INSTRUCTIONS D'INSTALLATION.</p> <p>A. CET APPAREIL EST MUNI D'UN DISPOSITIF D'ALLUMAGE QUI ALLUME AUTOMATIQUEMENT LA VEILLEUSE. NE TENTEZ PAS D'ALLUMER LA VEILLEUSE MANUELLEMENT.</p> <p>B. AVANT DE FAIRE FONCTIONNER, RENIFLEZ TOUT AUTOUR DE L'APPAREIL POUR DÉCELER UN ODEUR DE GAZ. RENIFLEZ PRÈS DU PLANCHER, CAR CERTAINS GAZ SONT PLUS LOURDS QUE L'AIR ET PEUVENT S'ACCUMULER AU NIVEAU DU SOL.</p> <p><b>QUE FAIRE SI VOUS DÉTECTEZ UNE ODEUR DE GAZ:</b></p> <ul style="list-style-type: none"> <li>• COUPEZ L'ALIMENTATION DE GAZ PRINCIPALE.</li> <li>• OUVREZ LES FENÊTRES.</li> <li>• NE PAS TENTER D'ALLUMER D'APPAREIL.</li> <li>• NE TOUCHEZ À AUCUN INTERRUPTEUR; NE PAS VOUS SERVIR DES TÉLÉPHONES SE TROUVANT DANS LE BÂTIMENT.</li> <li>• APPELÉZ IMMÉDIATEMENT VOTRE FOURNISSEUR DE GAZ DEPUIS UN VOISIN. SUIVEZ LES INSTRUCTIONS DU FOURNISSEUR.</li> <li>• SI VOUS NE POUVEZ REJOINDRE LE FOURNISSEUR APPELÉZ LE SERVICE DES INCENDIES.</li> </ul> <p>C. N'ESSAYEZ PAS DE RÉPARER AUCUNE PIÈCE DE CET ASSEMBLAGE. APPELÉZ UN TECHNICIEN QUALIFIÉ. FORCER OU TENTER DE RÉPARER L'ASSEMBLAGE POURRAIT CAUSER UN FEU OU UNE EXPLOSION.</p> <p>D. N'UTILISEZ PAS CET APPAREIL S'IL A ÉTÉ PLONGÉ DANS L'EAU, MÊME PARTIELLEMENT. FAITES INSPECTER L'APPAREIL PAR UN TECHNICIEN QUALIFIÉ ET REMPLACEZ TOUTE PARTIE DU SYSTÈME DE CONTRÔLE ET TOUTE COMMANDE QUI ONT ÉTÉ PLONGÉS DANS L'EAU.</p>
---	--

W385-0460 / D

### 8.2 INSTRUCTION D'ALLUMAGE

**LIGHTING INSTRUCTIONS / INSTRUCTIONS D'ALLUMAGE**

<ol style="list-style-type: none"> <li>1. <b>STOP!</b> READ ALL INFORMATION OF OPERATING AND LIGHTING INSTRUCTIONS BEFORE PROCEEDING.</li> <li>2. TURN OFF ELECTRIC POWER TO THE FIREPLACE.</li> <li>3. THIS FIREPLACE IS EQUIPPED WITH AN IGNITION DEVICE WHICH AUTOMATICALLY LIGHTS THE PILOT. DO NOT TRY TO LIGHT THE PILOT BY HAND.</li> <li>4. OPEN THE GLASS DOOR.</li> <li>5. TURN MANUAL SHUTOFF VALVE CLOCKWISE  TO OFF.</li> <li>6. WAIT FIVE (5) MINUTES TO CLEAR OUT ANY GAS. IF YOU SMELL GAS INCLUDING NEAR THE FLOOR, <b>STOP!</b> FOLLOW "B" OF THE OPERATING INSTRUCTIONS. IF YOU DON'T SMELL GAS GO TO THE NEXT STEP.</li> <li>7. TURN MANUAL SHUTOFF VALVE COUNTER-CLOCKWISE  TO ON.</li> <li>8. CLOSE THE GLASS DOOR.</li> <li>9. TURN ON ALL ELECTRIC POWER TO THE FIREPLACE.</li> <li>10. TURN ON MAIN BURNER.</li> </ol>	<ol style="list-style-type: none"> <li>1. <b>ARRÊTEZ!</b> LISEZ TOUTES LES INSTRUCTIONS DE FONCTIONNEMENT ET D'ALLUMAGE AVANT DE CONTINUER.</li> <li>2. COUPEZ L'ALIMENTATION ÉLECTRIQUE À L'APPAREIL.</li> <li>3. CET APPAREIL EST MUNI D'UN DISPOSITIF D'ALLUMAGE QUI ALLUME LA VEILLEUSE AUTOMATIQUEMENT, N'ESSAYEZ PAS D'ALLUMER LA VEILLEUSE MANUELLEMENT.</li> <li>4. OUVREZ LA PORTE VITRÉE.</li> <li>5. TOURNEZ LA SOUPEPE DE SECTIONNEMENT MANUELLE VERS LA DROITE  À "OFF".</li> <li>6. ATTENDEZ CINQ (5) MINUTES POUR QUE LE GAZ PUISSE S'ÉCHAPPER. SI VOUS DÉTECTEZ UNE ODEUR DE GAZ, <b>ARRÊTEZ!</b> SUIVEZ « B » DANS LES INSTRUCTIONS DE FONCTIONNEMENT. S'IL N'Y A PAS D'ODEUR DE GAZ, PASSEZ À L'ÉTAPE SUIVANTE.</li> <li>7. TOURNEZ LA SOUPEPE DE SECTIONNEMENT MANUELLE VERS LA GAUCHE  À "ON".</li> <li>8. FERMEZ LA PORTE VITRÉE.</li> <li>9. RÉTABLISSEZ L'ALIMENTATION ÉLECTRIQUE AU FOYER.</li> <li>10. ALLUMEZ LE BRÛLEUR PRINCIPAL.</li> </ol>
---	--

**TO TURN OFF GAS / INSTRUCTIONS POUR COUPER LE GAZ**

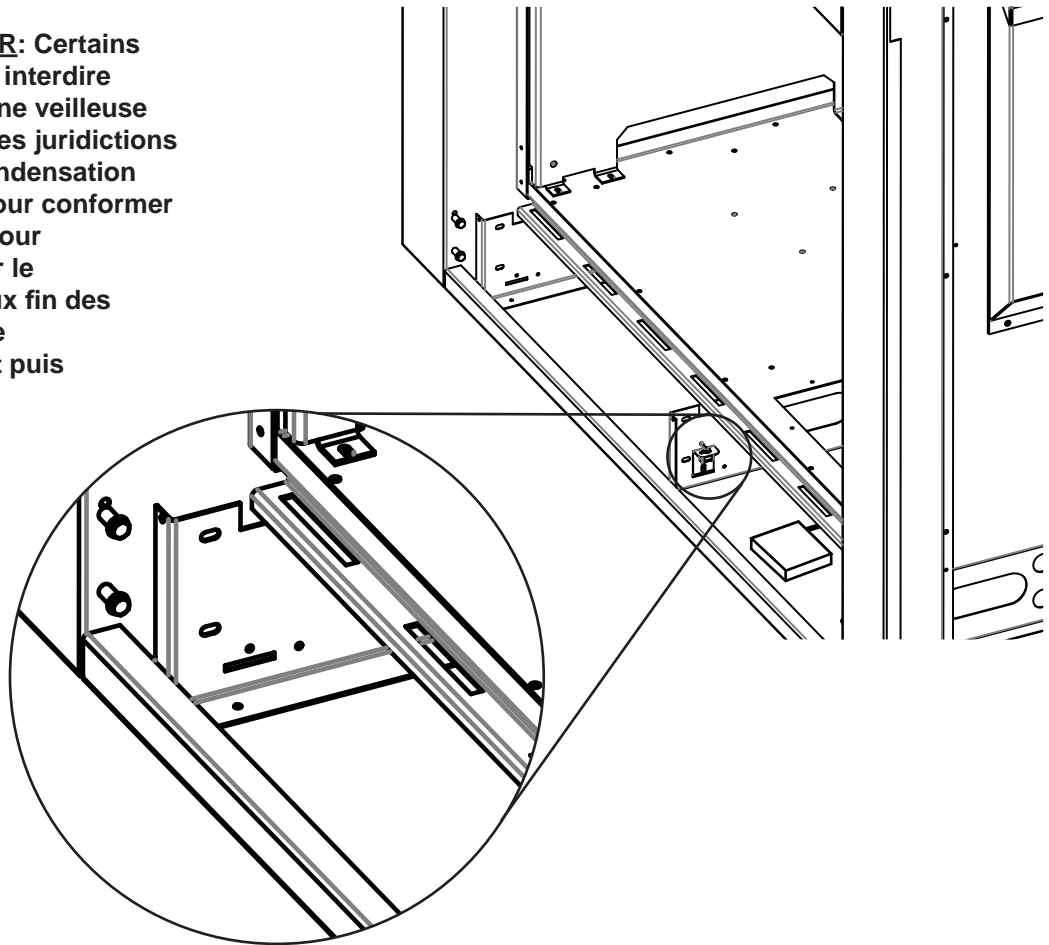
<ol style="list-style-type: none"> <li>1. TURN OFF ALL ELECTRICAL POWER TO THE FIREPLACE IF SERVICE IS TO BE PERFORMED.</li> <li>2. TURN MANUAL SHUTOFF VALVE CLOCKWISE  TO OFF. DO NOT FORCE.</li> </ol>	<ol style="list-style-type: none"> <li>1. COUPEZ L'ALIMENTATION ÉLECTRIQUE AU FOYER SI UN TRAVAIL D'ENTRETIEN DOIT SE FAIRE.</li> <li>2. TOURNEZ LA SOUPEPE D'ARRÊT MANUELLE VERS LA DROITE  À "OFF" NE FORCEZ PAS.</li> </ol>
---	--

### 8.3 INTERRUPTEUR ANTICONDENSATION

**NOTE:** L'écran côté doit être enlevée avant accédez l'interrupteur anticondensation.

Cet appareil est muni d'un interrupteur qui lui permet de passer d'un mode de veilleuse électronique à allumage intermittent (IPI) à un mode de veilleuse permanente (ACS) pour les climats froids. La chaleur produite par la veilleuse permanent améliorera l'opération initial sur les jours de climat plus froids. Donc nous recommandons que vous utilisez la veilleuse permanent sur ces jours plus froids. L'interrupteur anticondensation (veilleuse permanente) est situé au centre du panneau de commande. Avec le doigt, basculez l'interrupteur vers le haut pour le mode veilleuse permanente ou vers le bas pour le mode allumage intermittent de la veilleuse.

**NOTE D'INSTALLATEUR:** Certains juridictions peuvent interdire avec l'utilisation d'une veilleuse permanente. Dans ces juridictions l'interrupteur anticondensation seront débranché pour conformer aux codes locaux. Pour débrancher localiser le connecteur blanc aux fin des fils blanc et bleus de l'interrupteur ACS et puis débrancher.



## 9.0 RÉGLAGES

### 9.1 RÉGLAGE DE LA VEILLEUSE

Ajustez la vis de la veilleuse pour obtenir une flamme de taille normale. Tournez vers la droite pour réduire l'apport de gaz.

#### Vérifier La Pression :

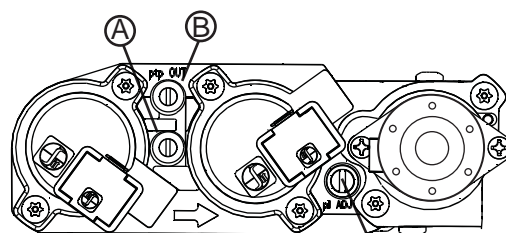
Pour vérifier la pression d'arrivée, tournez la vis (A) vers la gauche deux à trois tours, puis emboîtez le tube du manomètre sur la pointe d'essai. Le manomètre doit indiquer la pression comme décrit sur le diagramme ci-dessous. Assurez-vous que le brûleur principal fonctionne à « HI ».

La vérification de la pression de sortie s'effectue comme ci-dessus en utilisant la vis (B). Le manomètre doit indiquer la pression comme décrit sur le diagramme ci-dessous. Assurez-vous que le brûleur principal fonctionne à « HI ».

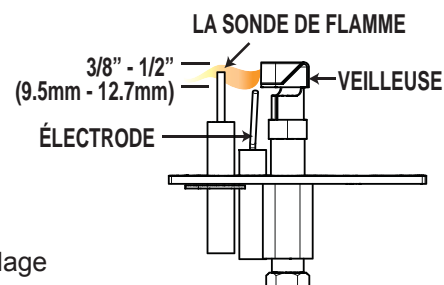
**APRÈS AVOIR PRIS LA LECTURE DES PRESSIONS, ASSUREZ-VOUS DE TOURNER FERMEMENT LES VIS VERS LA DROITE POUR SCELLER. NE SEREZ PAS TROP FORT.**

Vérifiez pour des fuites en appliquant une solution d'eau savonneuse.

Avant d'effectuer le réglage de la veilleuse, assurez-vous que l'assemblage de la veilleuse n'a pas été peint. S'il y a des traces de peinture ou de surpulpvrisation, enlevez-les de l'assemblage de la veilleuse ou remplacez-le. Une toile d'émeri ou du papier sablé fins peut être utilisé pour enlever la peinture sur la hotte de la veilleuse, sur l'électrode et sur le capteur de flamme.



VIS DE LA VEILLEUSE



LA FLAMME DOIT ENVELOPPER LA PARTIE SUPÉRIEURE DE LA SONDE DE FLAMME DE 3/8" (9.5mm) À 1/2" (12.7mm)

Pression	Gaz Naturel (pouces)	Gaz Naturel (millibars)	Propane (pouces)	Propane (millibars)
Arrivée	7" (min.4,5")	17,4 mb (min.11,2mb)	13" (min.11")	32,4 mb (min.27,4mb)
Sortie	3,5"	8,7 mb	10"	24,9 mb

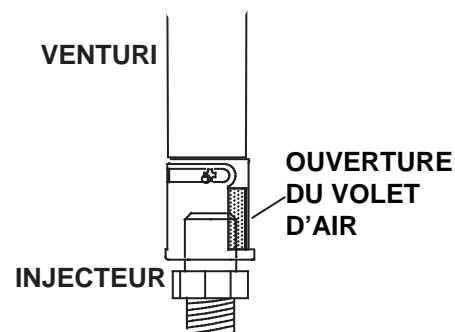
39.7A

### 9.2 RÉGLAGE DU VENTURI

L'ouverture du volet d'air a été préréglée en usine selon le tableau ci-dessous :

Indépendamment de l'orientation du venturi, plus le volet est fermé, plus la flamme est jaune et aura tendance à causer des dépôts de carbone. Plus le volet est ouvert, plus la flamme est bleue et plus elle a tendance à se détacher des orifices du brûleur. La flamme peut ne pas être jaune immédiatement; allouez de 15 à 30 minutes pour que la couleur finale de la flamme se stabilise.

**LE RÉGLAGE DU VOLET D'AIR DOIT ÊTRE EXÉCUTÉ PAR UN TECHNICIEN OU INSTALLATEUR QUALIFIÉ!**

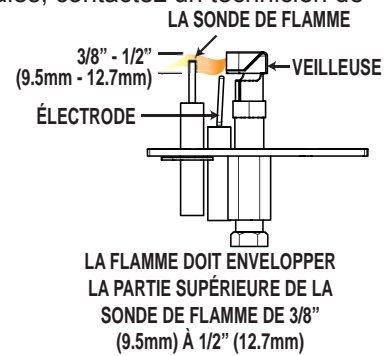


49.1

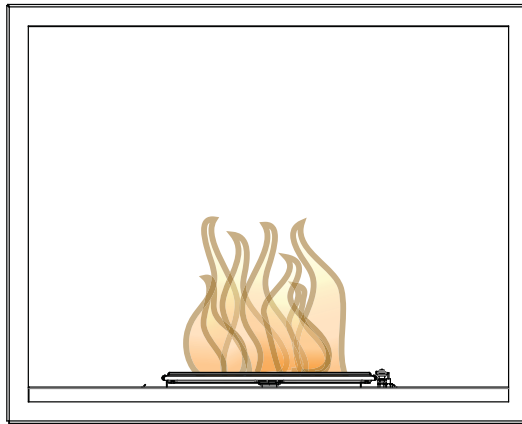
TABLEAU DE RÉGLAGE DU VENTURI	
COMBUSTIBLE	BHD4
NG	1/16" (1.6mm)
LP	5/16" (8mm)

### 9.3 CARACTÉRISTIQUES DE LA FLAMME

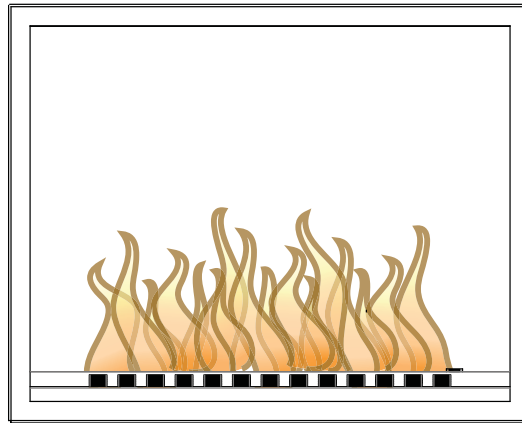
Il est important d'effectuer périodiquement une inspection visuelle de la flamme de la veilleuse et du brûleur. Comparez-les à ces illustrations. Si des flammes paraissent anormales, contactez un technicien de service.



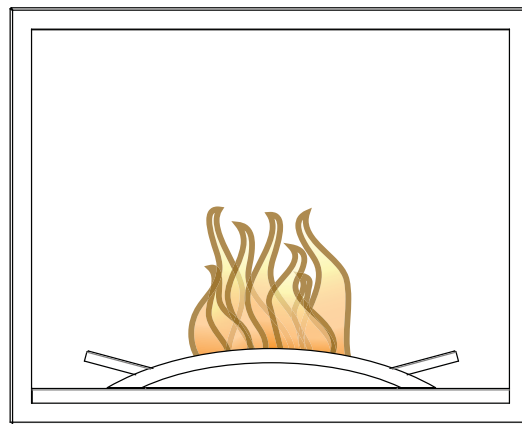
#### BRÛLEUR DE BÛCHES



#### BRÛLEUR DE VERRE



#### BRÛLEUR DU ROCHES / VERRE



## 10.0 ENTRETIEN

<b>! AVERTISSEMENT</b>
<b>COUPEZ L'ALIMENTATION EN GAZ ET L'ALIMENTATION ÉLECTRIQUE AVANT DE PROCÉDER À L'ENTRETIEN DE L'APPAREIL.</b>
<b>L'APPAREIL PEUT ÊTRE CHAUD. ATTENDEZ QU'IL SOIT REFROIDI AVANT D'EN FAIRE L'ENTRETIEN.</b>
<b>N'UTILISEZ PAS DE PRODUITS ABRASIFS.</b>
<b>NE PEINTURE PAS L'ASSEMBLAGE DU VEILLEUSE.</b>

FR

**ATTENTION** : Lors de l'entretien des contrôles, assurez-vous d'identifier chacun des fils avant de les débrancher. Une réinstallation incorrecte des fils peut occasionner un mauvais fonctionnement et être dangereuse. Assurez-vous que l'appareil fonctionne adéquatement une fois l'entretien terminé. Cet appareil et son système d'évacuation devraient être inspectés avant la première utilisation et au moins une fois l'an par un technicien de service qualifié. L'espace entourant l'appareil doit être gardé propre et libre de matériaux combustibles, d'essence ou autres liquides et vapeurs inflammables. Les apports d'air comburant et d'air de convection ne doivent pas être obstrués.

- A.** Pour nettoyer le brûleur principal et la veilleuse adéquatement, il faut retirer les bûches, les roches ou la vitre afin de dégager les deux ensembles.
- B.** Gardez le compartiment des contrôles, les composants décoratifs, le brûleur, le volet d'air et l'espace entourant les bûches propres en brossant ou en passant l'aspirateur au moins une fois l'an.
- C.** Assurez-vous que tous les orifices des brûleurs produisent des flammes. Nettoyez tous les orifices qui n'ont pas de flamme ou dont la flamme ne brûle pas adéquatement.
- D.** Assurez-vous que la flamme de la veilleuse est assez puissante pour envelopper la sonde de flamme et/ou le thermocouple/thermopile et qu'elle atteigne le brûleur.
- E.** Remettez en place les bûches, les roches ou la vitre nettoyées, si équipé. Omettre de positionner les composants décoratifs adéquatement peut causer des dépôts de carbone qui peuvent se déposer dans des endroits de séjour avoisinants.
- F.** Vérifiez si le brûleur principal allume sur tous les orifices lorsque le bouton de contrôle du gaz est à « ON ». Un temps d'allumage total de 5 à 10 secondes est satisfaisant. Si l'allumage prend plus de temps, consultez votre détaillant autorisé.
- G.** Vérifiez si les joints d'étanchéité sur les côtés, le haut et le bas de la porte ne sont pas brisés ou manquants. Remplacez si nécessaire.
- H.** Si pour une raison quelconque le système d'évents de prise d'air est démonté, réinstallez et rescellez-le selon les instructions fournies dans l'installation initiale.
- I.** Il est possible que l'écran de protection (pare-étincelles) nécessite un nettoyage occasionnel en raison des peluches/poussières provenant des tapis, des animaux, etc. il suffit de passer l'aspirateur à l'aide de l'embout avec une brosse.
- J.** Vérifiez si le système de décharge effectue efficacement. Vérifiez si les joints d'étanchéité ne sont pas brisés ou manquants. Remplacez si nécessaire.

40.1D



## ! AVERTISSEMENT

**LE CAISSON DEVIENT TRÈS CHAUD LORS DU FONCTIONNEMENT. LAISSEZ L'APPAREIL SE REFROIDIR COMPLÈTEMENT OU PORTEZ DES GANTS ANTICHALEUR AVANT D'EFFECTUER L'ENTRETIEN.**

**NE JAMAIS ASPIRER DES BRAISES QUI SONT CHAUDES.**

**NE PEINTUREZ PAS L'ASSEMBLAGE DE LA VEILLEUSE.**

- Cet appareil nécessite un entretien qui devra être effectué sur une base annuelle.
- L'entretien devrait inclure un nettoyage, le remplacement des piles, une inspection du système d'évent, du brûleur, des éléments décoratifs internes et de la chambre de combustion. Consultez la section pour l'enlèvement de la porte et retirez la porte comme indiqué.
- Enlevez soigneusement les éléments décoratifs internes s'il y a lieu (bûches, braises de verre, panneaux de brique, etc.)
- À l'aide d'un aspirateur muni d'une brosse souple, aspirez les saletés, les débris et les dépôts de carbone sur les bûches, la chambre de combustion et le brûleur. Pour les braises de verre, suivez les instructions de prénettoyage.
- Enlevez aussi tout dépôt se trouvant sur l'assemblage de la veilleuse et aussi, s'il y a lieu, sur la thermopile, le thermocouple, le capteur de flamme et l'allumeur. **NOTE: Vous devrez possiblement nettoyer le capteur de flamme à l'aide d'un morceau de laine d'acier ou Scotch-Brite™ afin de retirer toute trace d'oxydation. Nettoyez l'assemblage du pilote à l'aide d'un aspirateur muni d'une brosse souple. Il est important de ne pas peindre l'assemblage de la veilleuse.**
- Inspectez tous les joints d'étanchéité accessibles et remplacez-les au besoin.
- Accédez à la soufflerie, s'il y a lieu, puis nettoyez à l'aide d'une brosse souple et d'un aspirateur.
- Réinstallez tous les composants dans l'ordre inverse.
- Inspectez le système de surpression. L'appareil dissipe la pression par la porte vitrée ou par les clapets sur le dessus du caisson. Assurez-vous qu'ils ouvrent sans restriction et qu'ils ferment de façon étanche.
- Vérifiez si la soupape de gaz de la veilleuse et les boutons Hi / Lo bougent librement (s'il y a lieu) - remplacez si vous constatez de la rigidité dans le mouvement.
- Vérifiez tous les branchements du gaz pour des fuites de gaz, en amont et en aval de la soupape de gaz incluant les connexions du tube de la veilleuse.

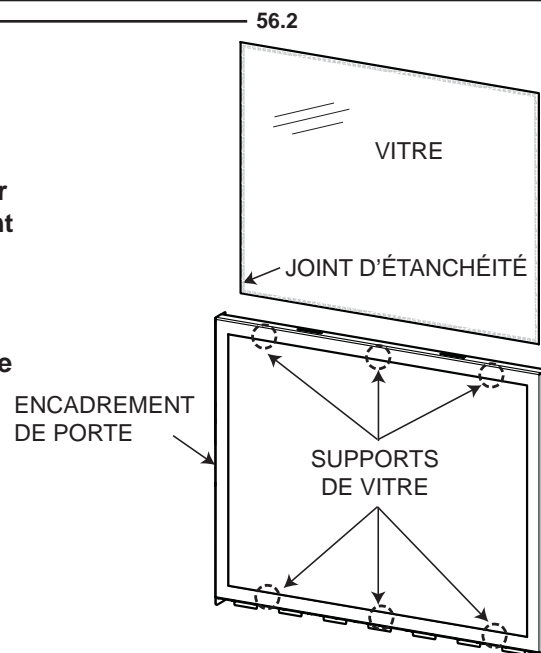
37.1C

## 10.2 REMPLACEMENT DE LA VITRE/PORTE

<b>! AVERTISSEMENT</b>
<b>N'UTILISEZ PAS DE MATÉRIAUX DE SUBSTITUTION.</b>
<b>LA VITRE PEUT ÊTRE CHAUDE, NE TOUCHEZ PAS LA VITRE JUSQU'À CE QU'ELLE AIT REFROIDI.</b>
<b>USEZ DE PRUDENCE LORSQUE VOUS ENLEVEZ ET JETEZ DES DÉBRIS DE VERRE OU DES COMPOSANTS ENDOMMAGÉS. ASSUREZ-VOUS D'ASPIRER TOUS LES DÉBRIS DE VERRE À L'INTÉRIEUR DE L'APPAREIL AVANT DE LE FAIRE FONCTIONNER.</b>
<b>NE FRAPPEZ PAS, NE CLAQUEZ PAS ET N'ÉGRATIGNEZ PAS LA PORTE VITRÉE. NE FAITES PAS FONCTIONNER L'APPAREIL LORSQUE LA PORTE VITRÉE EST ENLEVÉE, FISSURÉE, BRISÉE OU ÉGRATIGNÉE.</b>

FR

- 56.2
- Placez le cadre de porte face vers le bas, en prenant soin de ne pas égratigner la peinture.
  - Centrez la vitre avec joint d'étanchéité à l'intérieur du cadre de porte, en plaçant le côté épais du joint face vers le haut.
  - Pliez les pattes de retenue situées sur les bords du cadre de porte par-dessus le joint retenant la vitre en place. Prenez soin de ne pas briser la vitre



## 10.3 SOINS DE LA VITRE

**NE PAS NETTOYER LA VITRE LORSQU'ELLE EST CHAUDE! N'EMPLOYEZ PAS DE DÉTERGENTS ABRASIFS POUR NETTOYER LA VITRE.**

Polissez légèrement à l'aide d'un linge propre et sec pour enlever la poussière et les traces de doigts. Nettoyez la vitre avec un nettoyant recommandé après les dix premières heures de fonctionnement. **NOTE : Les nettoyants à base de vinaigre ou sans ammoniaque procurent habituellement une surface propre et sans traces.** Par la suite, nettoyez aussi souvent qu'il le faudra, sinon la vitre risque de rester marquée en permanence.

Ne touchez pas la surface intérieure de la vitre avec des lames de rasoir, de la laine d'acier ou d'autres objets métalliques puisque la mince couche de métal retirée de l'objet pourrait se déposer sur le revêtement causant une décoloration ou une égratignure. De telles marques ne peuvent être enlevées en utilisant les procédés de nettoyage habituels, elles exigent des procédés spéciaux.

Contactez votre détaillant local autorisé pour les instructions de nettoyage complètes.

5.4

L'appareil est muni d'une 4mm vitre en verre trempé. Remplacez uniquement avec une vitre certifiée pour le foyer disponible chez votre détaillant Napoléon. N'UTILISEZ PAS DE MATÉRIAUX SUBSTITUTS.

5.5

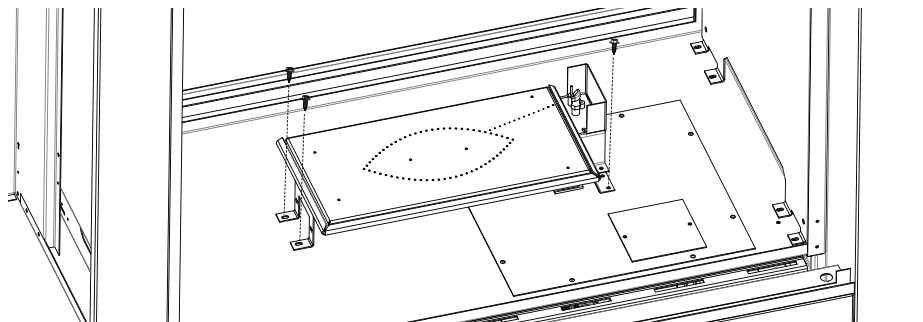
<b>! AVERTISSEMENT</b>
<b>LA VITRE CHAUDE CAUSERA DES BRÛLURES.</b>
<b>NE PAS TOUCHER LA VITRE AVANT QU'ELLE AIT REFROIDI.</b>
<b>NE JAMAIS LAISSER LES ENFANTS TOUCHER LA VITRE.</b>



## 10.4 ENLÈVEMENT DU BRÛLEUR

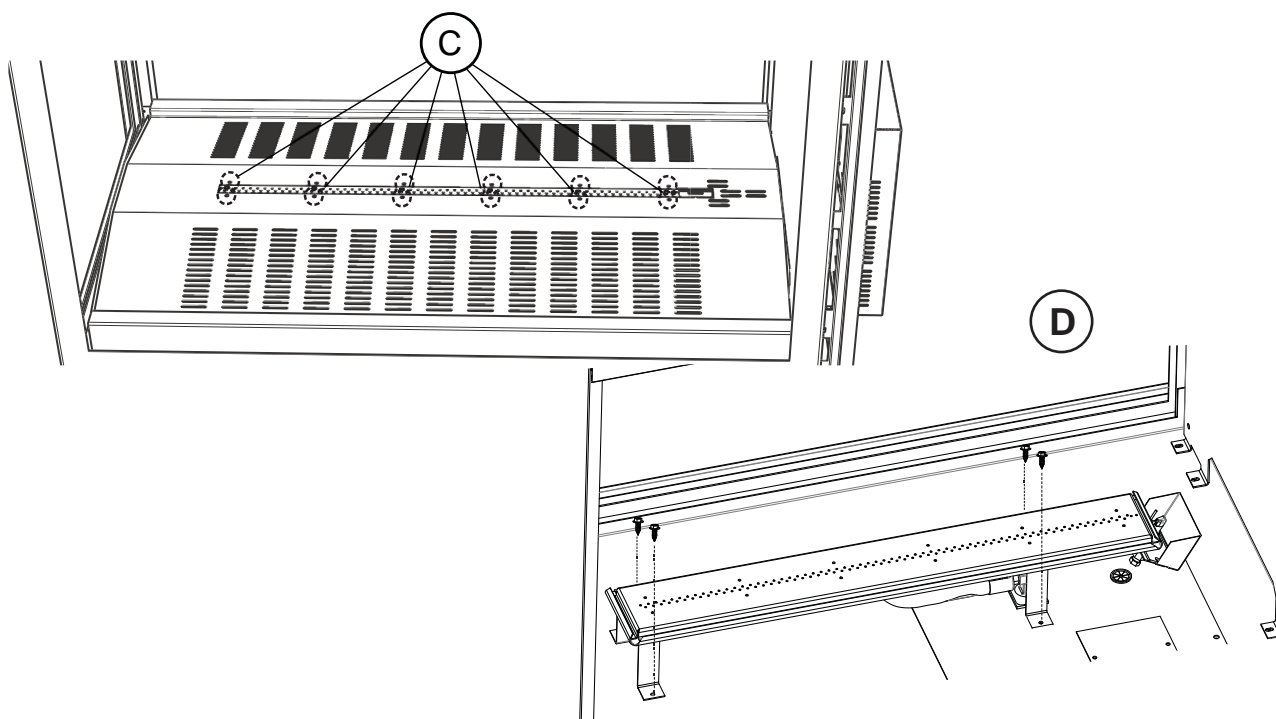
### 10.4.1 ENLÈVEMENT DU BRÛLEUR POUR LES BÛCHES

- A. Enlever les porte(s) par les instruction voir la section «INSTALLATION/ENLÈVEMENT DE LA PORTE».
- B. Soigneusement enlever les bûches de l'appareil.
- C. Enlever tous les bases de protection de l'appareil, , comme illustrée ci-dessous. Voir la section « INSTALLATION DES bases de protection » pour instructions.
- D. Pour enlever la grillage du brûleur de l'appareil, enlever les 4 vis, comme illustré ci-dessous.
- E. Pour re-installer le brûleur renverser ces étapes. **NOTE: En réinstallant le brûleur garantir que le venturi se repose sur l'injecteur.**



### 10.4.2 ENLÈVEMENT DU BRÛLEUR

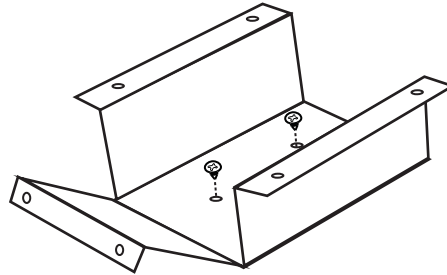
- A. Enlever les porte(s) par les instruction voir la section «INSTALLATION/ENLÈVEMENT DE LA PORTE».
- B. Passer à l'aspirateur au braises vitrifiées de l'appareil. Sois certaine de vider et remplacer la sac de l'aspirateur avant de commencer.
- C. Enlever les 12 vis qui obtienne le plateau, puis enlever le plateau de l'appareil, comme illustré ci-dessous.
- D. Enlever les 4 vis qui obtienne le brûleur, comme illustré ci-dessous. Glissez le brûleur hors de l'injecteur puis enlevez-le de l'appareil.
- E. Pour re-installer le brûleur renverser ces étapes. **NOTE: En réinstallant le brûleur garantir que le venturi se repose sur l'injecteur.**





#### 10.4.4 ENLÈVEMENT DU SUPPORT

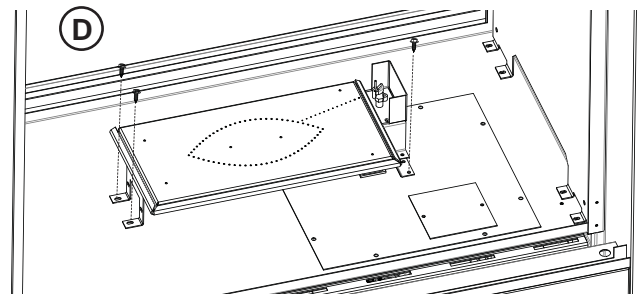
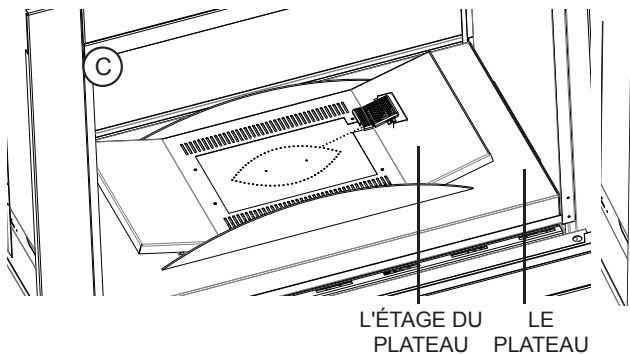
- A. Enlever les porte(s) par les instruction voir la section «INSTALLATION/ENLÈVEMENT DE LA PORTE».
- B. Coupez les bande qui retiennent le verre et dé à coudre évent en placez.
- C. Enlever les 2 vis qui retiennent le support / écran protecteur en placez, comme illustré.



**NOTE:** Les 2 vis retirées du support / l'écran de protection doit être remplacé.

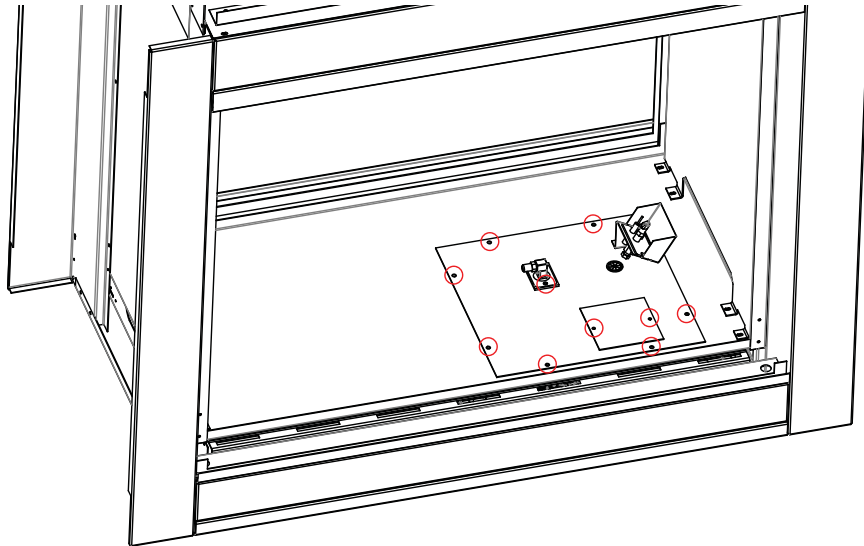
#### 10.4.3 ENLÈVEMENT DU BRÛLEUR POUR ROCHES

- A. Enlever les porte(s) par les instruction voir la section «INSTALLATION/ENLÈVEMENT DE LA PORTE».
- B. Soigneusement enlèver les roches ou braises vitrifiées de l'appareil.
- C. Enlever les 4 vis qui obtienne le plateau, puis enlever le plateau et l'étage du plateau hors de l'appareil, comme illutrée ci-dessous.
- D. Enlever les 4 vis qui obtienne le brûleur, comme illustré ci-dessous. Glissez le brûleur hors de l'injecteur puis enlèvez-le de l'appareil.
- E. Pour re-installer le brûleur renverser ces étapes. **NOTE:** En réinstallant le brûleur garantir que le venturi se repose sur l'injecteur.



## 10.5 REMPLACEMENT DE L'ASSEMBLAGE DE LA SOUPEPE

- A. Enlever la port vitrée. Voir la section « INSTALLATION/ENLÈVEMENT DE LA PORTE ». Enlever le brûleur, voir la section « ENLÈVEMENT DU BRÛLEUR ».
- B. Enlevez les 12 vis servant à fixer l'assemblage de la soupape. **NOTE: Il est possible qu'un nouveau joint d'étanchéité soit nécessaire lors de la réinstallation de l'assemblage de la soupape. Contactez votre détaillant local autorisé.**
- C. Soulevez l'assemblage de la soupape avec soin, suffisamment loin pour accéder à la soupape d'arrêt manuelle puis tournez-la à « OFF ». Débranchez le raccord flexible de la soupape. Vous pouvez maintenant retirer l'assemblage de la soupape de l'appareil.



## 10.6 ÉTRANGLEMENTS DES ÉVENTS VERTICAUX

Certaines configurations d'évacuation verticales peuvent avoir une flamme très active. Si cette apparence n'est pas désirée, la sortie du conduit d'évacuation doit être réduite en utilisant une plaque de restriction. Pour obtenir l'ensemble approprié, voir les « ACCESSOIRES » à la section « RECHANGES ». Ceci diminuera la vitesse des gaz de combustion, ralentissant ainsi le mouvement de la flamme et créant une apparence plus traditionnelle. Les instructions sont incluses avec l'ensemble.

---

77.3

## 11.0 RECHANGES

### AVERTISSEMENT

OMETTRE DE POSITIONNER LES PIÈCES CONFORMÉMENT À CE MANUEL OU D'UTILISER UNIQUEMENT DES PIÈCES SPÉCIFIQUEMENT APPROUVÉES POUR CET APPAREIL PEUT CAUSER DES DOMMAGES MATÉRIELS OU DES BLESSURES CORPORELLES.

**\*\* CECI EST UN THERMOCOUPLE À ACTION RAPIDE QUI CONSTITUE UN COMPOSANT ESSENTIEL DE SÉCURITÉ. REMPLACEZ UNIQUEMENT PAR UN THERMOCOUPLE À ACTION RAPIDE DE WOLF STEEL LTÉE.**

Contactez votre détaillant pour les questions concernant les prix et la disponibilité des pièces de rechange. Normalement, toutes les pièces peuvent être commandées chez votre détaillant autorisé.

**POUR UN REMPLACEMENT DE PIÈCE SOUS GARANTIE, UNE PHOTOCOPIE DE LA FACTURE ORIGINALE SERA REQUISE AFIN DE POUVOIR HONORER LA DEMANDE.**

Lorsque vous commandez des pièces, donnez toujours l'information suivante :

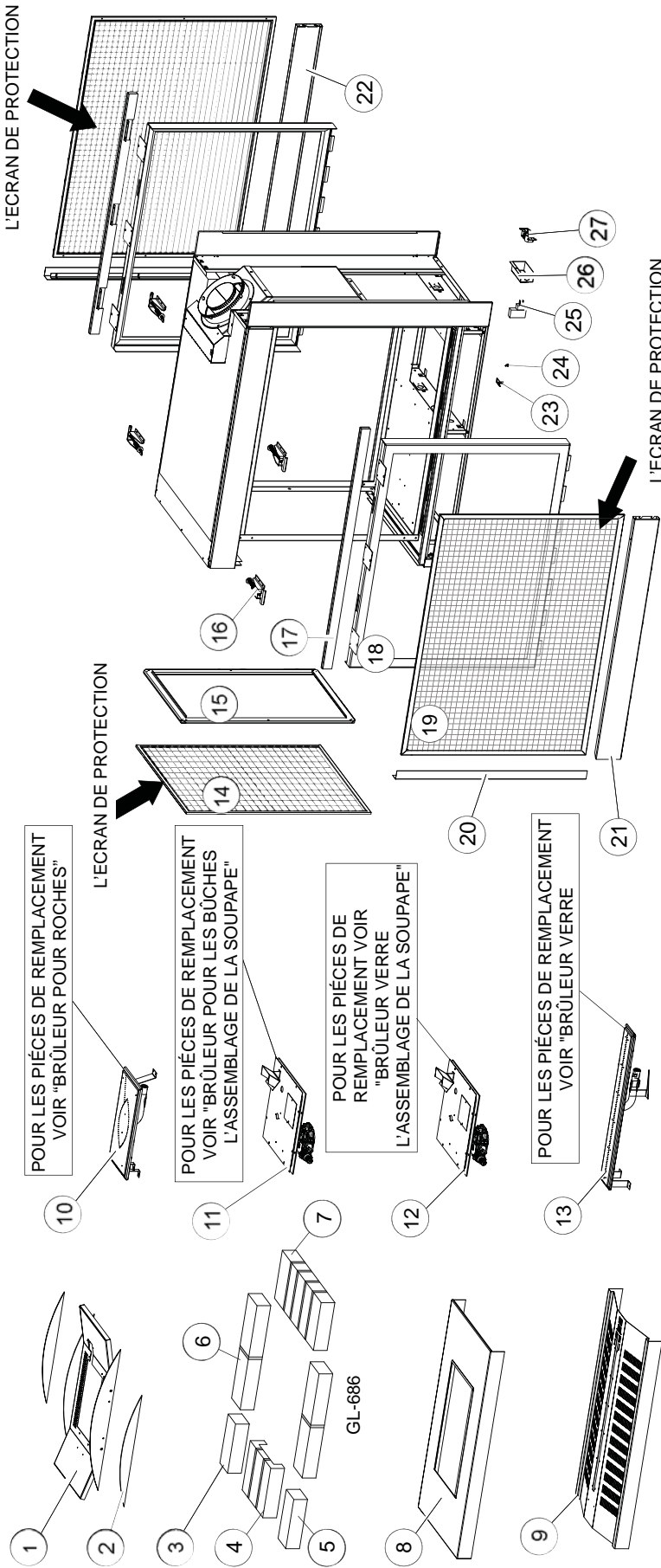
- Modèle et numéro de série de l'appareil
- Date d'installation de l'appareil
- Numéro de la pièce
- Description de la pièce
- Fini

**\* IDENTIFIE LES ARTICLES QUI NE SONT PAS ILLUSTRÉS. POUR PLUS D'INFORMATION, CONTACTEZ VOTRE DÉTAILLANT AUTORISÉ.**

41.2

FR

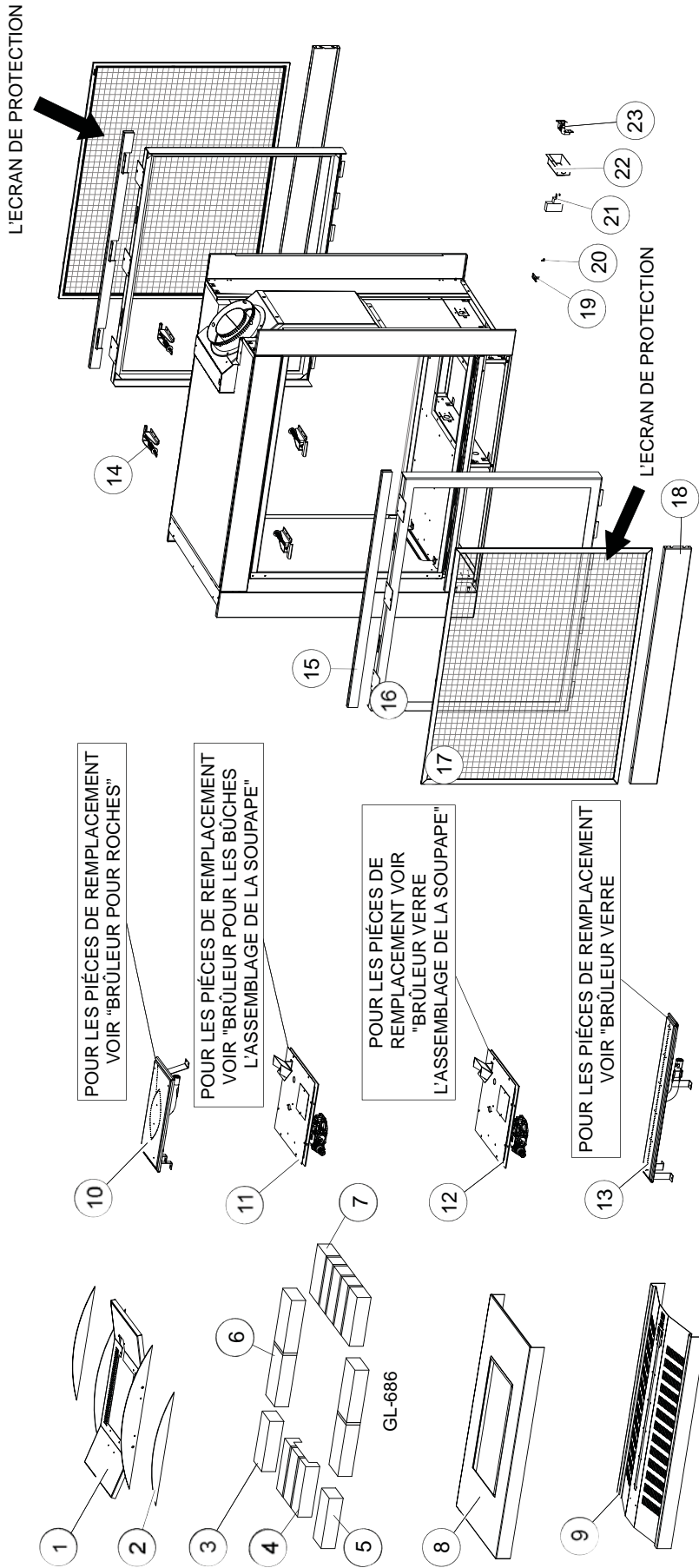
## 12.0 VUE D'ENSEMBLE BHD4P



CES ARTICLES PEUT DIFFÉRER DE CELLE ILLUSTRÉE

REF. NO.	PART NO.	DESCRIPTION	REF. NO.	PART NO.	DESCRIPTION
1	W010-3481	ASSEMBLAGE DU BOL	15	W010-2898	ASSEMBLAGE DE LA PORTE FIN
2	W010-2997	GARNITURE DE BOL	16	W010-2829	ASSEMBLAGE DU LOQUET DE PORTE (X4)
3	W333-0024	BRIQUE DE PLANCHER DE CÔTÉ #1A (GL-686)	17	W010-3192	L'ECRAN DE RETENUE (X2)
4	W333-0020	BRIQUE DE PLANCHER ENTAILLÉE #1A (GL-686)	18	W010-3205	ASSEMBLAGE DE LA PORTE (X2)
5	W333-0021	BRIQUE DE PLANCHER DE CÔTÉ #1 (GL-686)	19	W565-0152	L'ECRAN DE PROTECTION (X2)
6	W333-0023	BRIQUE DE PLANCHER CENTRALE #2 (X2) (GL-686)	20	W010-3204	ASSEMBLAGE DE L'ECRAN MOULURES (X2)
7	W333-0022	BRIQUE DE PLANCHER D'EXTRÉMITÉ #4 (GL-686)	21	W010-3209	(CÔTÉ DROITE) PANNEAU D'ACCÈS DE SOUPAPE
8	W655-0561	SUPPORT DE BOL	22	W010-3208	(CÔTÉ GAUCHE) PANNEAU D'ACCÈS DE SOUPAPE
9	W710-0059	PLATEAU DE BRAISES VITRIFIÉES	23	W080-1395	SUPPORT DU INTERRUPTEUR ACS
10	W100-0161	BRÛLEUR POUR ROCHES ET BRAISES VITRIFIÉES	24	W715-0191	INTERRUPTEUR ACS
11	W010-3207	L'ASSEMBLAGE DE LA SOUPAPE DE BRÛLEUR POUR LES BÛCHES	25	W707-0010	TRANSFORMATEUR
12	W010-3206	L'ASSEMBLAGE DE LA SOUPAPE DE BRÛLEUR POUR BRAISES VITRIFIÉES	26	W350-0126	BOÎTE ÉLECTRIQUE
13	W100-0160	BRÛLEUR POUR BRAISES VITRIFIÉES	27	W460-0006	RÉCEPTACLE
14	W565-0153	ÉCRAN DE PROTECTION D'EXTRÉMITÉ			

# 13.0 VUE D'ENSEMBLE BHD4ST

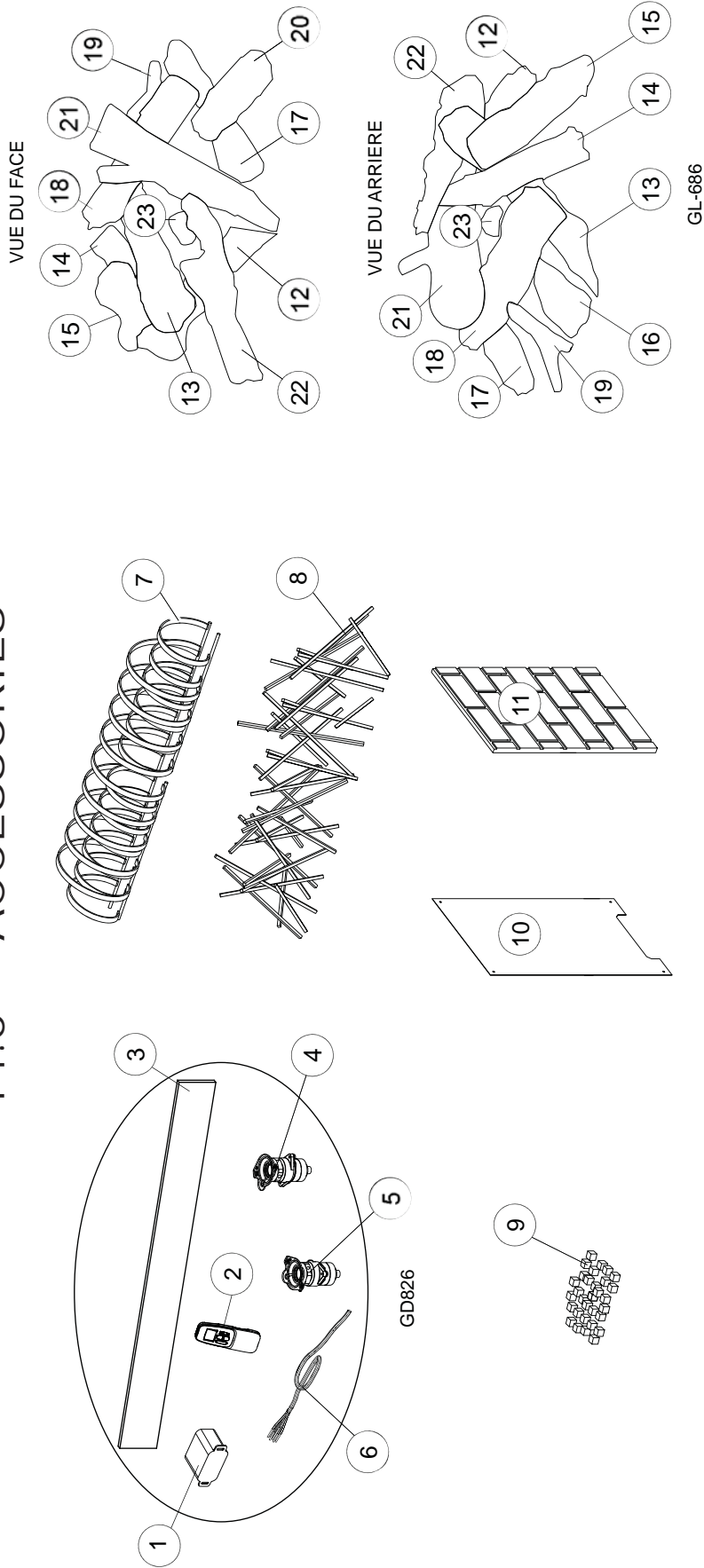


CES ARTICLES PEUT DIFFÉRER DE CELLE ILLUSTRÉE

REF. NO.	PART NO.	DESCRIPTION
13	W100-0160	BRÛLEUR POUR BRAISES VITRIFIÉES
14	W010-2829	ASSEMBLAGE DU LOQUET DE PORTE (X4)
15	W010-3191	L'ECRAN DE RETENUE (X2)
16	W010-3205	ASSEMBLAGE DE LA PORTE (X2)
17	W565-0151	L'ECRAN DE PROTECTION (X2)
18	W475-0928	PANNEAU D'ACCÈS DE SOUPE (X2)
19	W080-1395	SUPPORT DU INTERRUPTEUR ACS
20	W715-0191	INTERRUPTEUR ACS
21	W707-0010	TRANSFORMATEUR
22	W350-0126	BOÎTE ÉLECTRIQUE
23	W460-0006	RÉCEPTACLE

REF. NO.	PART NO.	DESCRIPTION
1	W010-3481	ASSEMBLAGE DU BOL
2	W010-2997	GARNITURE DE BOL
3	W333-0024	BRIQUE DE PLANCHER DE CÔTÉ #1A (GL-686)
4	W333-0020	BRIQUE DE PLANCHER ENTAILLÉE #1A (GL-686)
5	W333-0021	BRIQUE DE PLANCHER DE CÔTÉ #1 (GL-686)
6	W333-0023	BRIQUE DE PLANCHER CENTRALE #2 (X2) (GL-686)
7	W333-0022	BRIQUE DE PLANCHER D'EXTRÉMITÉ #4 (GL-686)
8	W655-0561	SUPPORT DE BOL
9	W710-0059	LATEAU DE BRAISES VITRIFIÉES
10	W100-0161	BRÛLEUR POUR ROCHES ET BRAISES VITRIFIÉES
11	W010-3207	L'ASSEMBLAGE DE LA SOUPE DE BRÛLEUR POUR LES BÛCHES
12	W010-3206	L'ASSEMBLAGE DE LA SOUPE DE BRÛLEUR POUR BRAISES VITRIFIÉES

## 14.0 ACCESSORIES



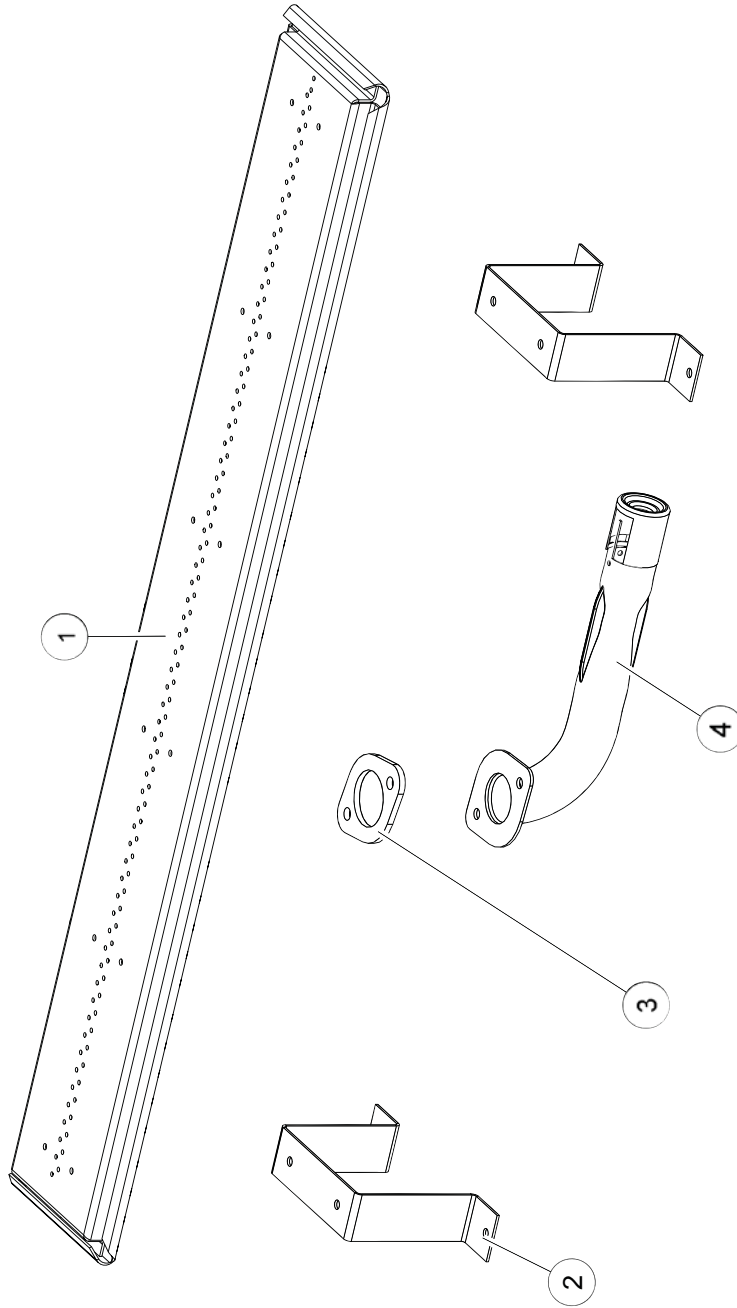
CES ARTICLES PEUT DIFFÉRER DE CELLE ILLUSTRÉE

REF. NO.	PART NO.	DESCRIPTION
1	W660-0104	RÉCEPTEUR (GD826)
2	W660-0074	TÉLÉCOMMANDE (GD826)
3	W290-0245	JOINT D'ÉTANCHÉITÉ (GD826)
4	W435-0011 (NG)	MOTEUR À PAS (GD826N)
5	W435-0010 (LP)	MOTEUR À PAS (GD826P)
6	W750-0284	HARNAIS DE FILS (GD826)
7	LDAC	SERPENTIN DÉCORATIF
8	LDNS	BÂTONNETS DÉCORATIFS
9	GLASS MEDIA KIT	BRASSES (DIVERSES COULEURS)
10	W500-0706	PANNEAU DE PORCELAINE
11	W475-0871	PANNEAU DE BRIQUE
12	W135-0527	BÛCHES #1 (GL-686)

REF. NO.	PART NO.	DESCRIPTION
13	W135-0528	BÛCHES #2 (GL-686)
14	W135-0529	BÛCHES #3 (GL-686)
15	W135-0530	BÛCHES #4 (GL-686)
16	W135-0531	BÛCHES #5 (GL-686)
17	W135-0532	BÛCHES #6 (GL-686)
18	W135-0533	BÛCHES #7 (GL-686)
19	W135-0534	BÛCHES #8 (GL-686)
20	W135-0535	BÛCHES #9 (GL-686)
21	W135-0536	BÛCHES #10 (GL-686)
22	W135-0537	BÛCHES #11 (GL-686)
23	W135-0540	MORCEAUX DE CHARBON DE BOIS #12 (GL-686)

GL-686

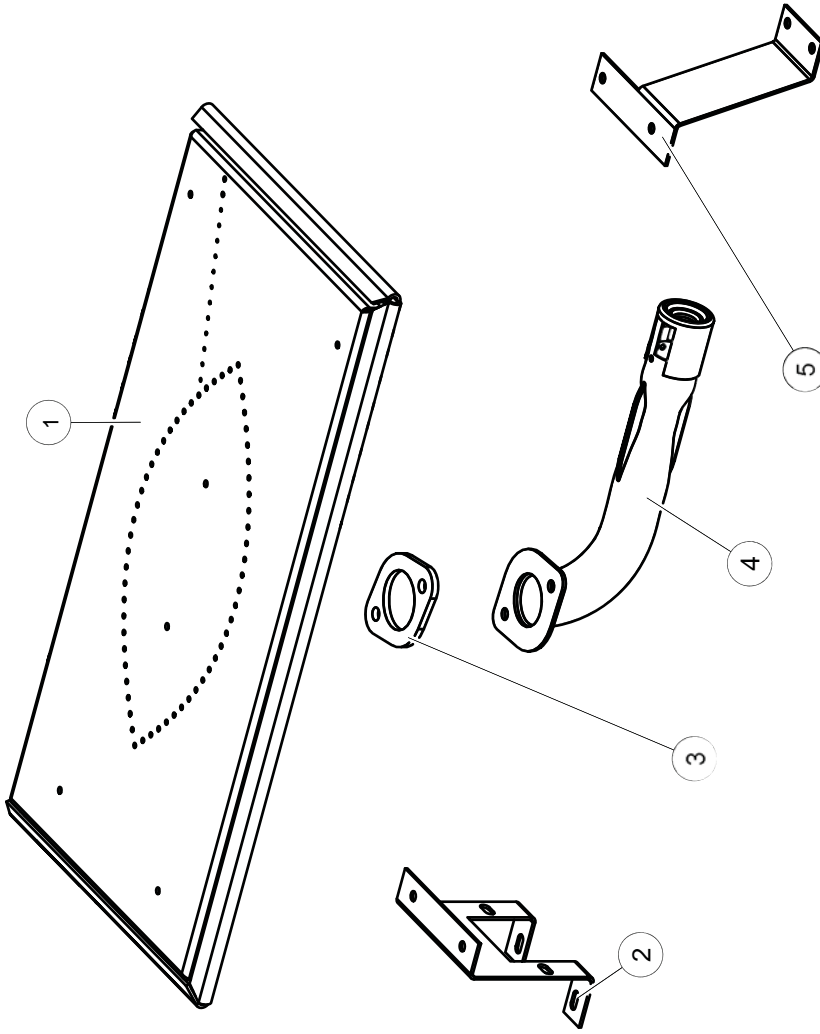
## 15.0 BRÛLEUR VERRE (W100-0160)



CES ARTICLES PEUT DIFFÉRER DE CELLE ILLUSTRÉE

REF. NO.	PART NO.	DESCRIPTION
1	W010-2954	ASSEMBLAGE DE BRÛLEUR
2	W080-1400	SUPPORT DE BRÛLEUR(X2)
3	W290-0018	JOINT D'ÉTANCHÉITÉ DE VENTURI
4	W720-0005	VENTURI

## 16.0 BRÛLEUR POUR ROCHES (W100-0161)



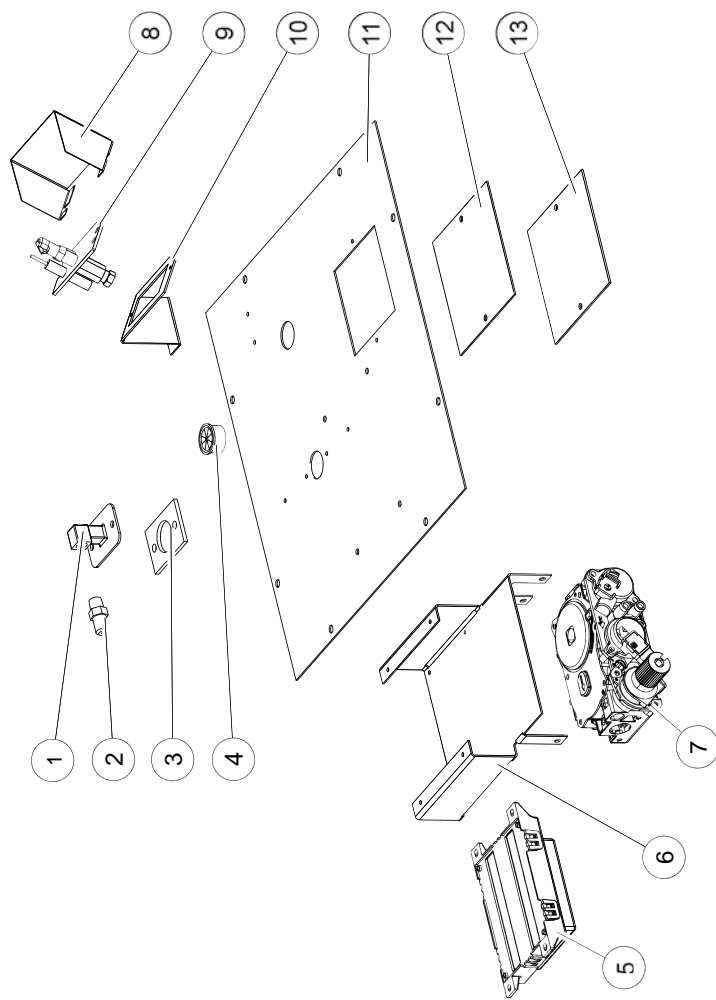
CES ARTICLES PEUT DIFFÉRER DE CELLE ILLUSTRÉE

REF. NO.	PART NO.	DESCRIPTION
1	W010-2955	ASSEMBLAGE DE BRÛLEUR
2	W080-1244	SUPPORT DE BRÛLEUR
3	W290-0018	JOINT D'ÉTANCHÉITÉ DE VENTURI

REF. NO.	PART NO.	DESCRIPTION
4	W720-0005	VENTURI
5	W080-1399	SUPPORT DE BRÛLEUR



# 17.0 BRÛLEUR VERRE DE L'ASSEMBLAGE DE LA SOUPE

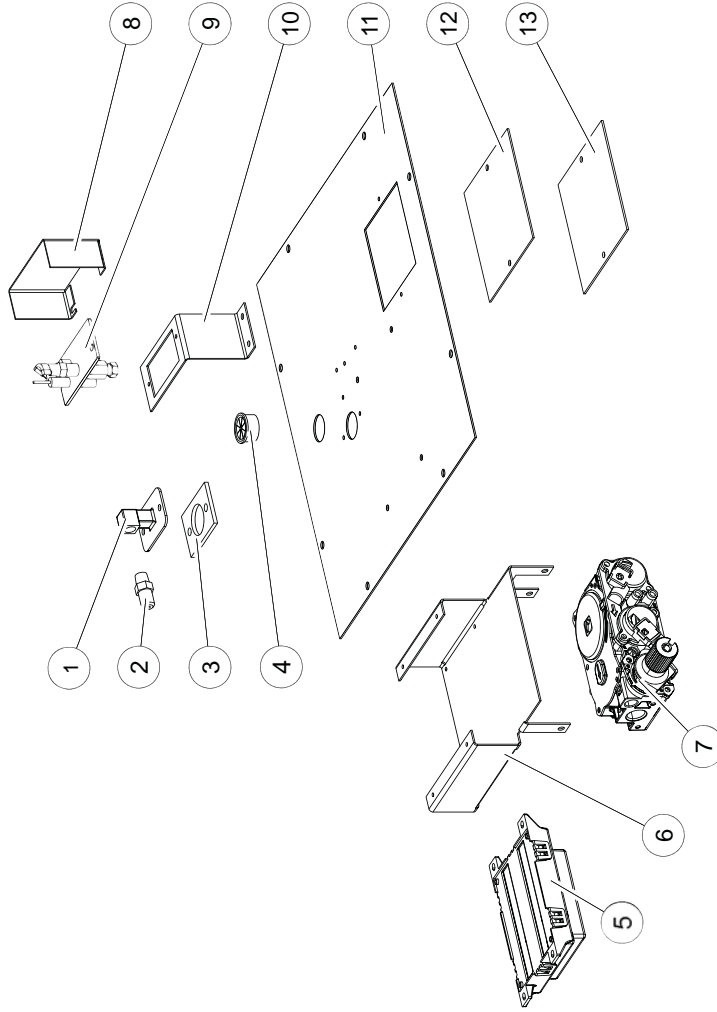


CES ARTICLES PEUT DIFFÉRER DE CELLE ILLUSTRÉE

REF. NO.	PART NO.	DESCRIPTION
1	W432-0103	COLLECTEUR DU GAZ
2	W456-0037	INJECTEUR DE VEILLEUSE #37
3	W290-0157	COLLECTEUR DU JOINT D'ÉTANCHÉITÉ
4	W105-0001	BAGUE
5	W190-0029	PANNEAU DE CONTRÔLE
6	W080-1366	SUPPORT DU SOUPE
7	W725-0065	SOUPE

REF. NO.	PART NO.	DESCRIPTION
8	W585-0790	BOÎTIER DE VEILLEUSE
9	W010-3024	ASSEMBLAGE DE VEILLEUSE (PSE)
10	W080-1304	SUPPORT DE VEILLEUSE
11	W035-0337	BASE DU SOUPE
12	W200-0456	COUVERCLE D'ACCÈS SOUPE
13	W290-0247	JOINT D'ÉTANCHÉITÉ D'ACCÈS

## 18.0 BRÛLEUR POUR LES BÛCHES L'ASSEMBLAGE DE LA SOUPE



CES ARTICLES PEUT DIFFÉRER DE CELLE ILLUSTRÉE

REF. NO.	PART NO.	DESCRIPTION
1	W432-0103	COLLECTEUR DU GAZ
2	W456-0037	INJECTEUR DE VEILLEUSE #37
3	W290-0157	COLLECTEUR DU JOINT D'ÉTANCHÉITÉ
4	W105-0001	BAGUE
5	W190-0029	PANNEAU DE CONTRÔLE
6	W080-1366	SUPPORT DU SOUPE
7	W725-0065	SOUPE

REF. NO.	PART NO.	DESCRIPTION
8	W350-0264	BOÎTIER DE VEILLEUSE
9	W010-3024	ASSEMBLAGE DE VEILLEUSE (PSE)
10	W080-1372	SUPPORT DE VEILLEUSE
11	W035-0338	BASE DU SOUPE
12	W200-0456	COUVERCLE D'ACCÈS SOUPE
13	W290-0247	JOINT D'ÉTANCHÉITÉ D'ACCÈS

## 19.0 DÉPANNAGE

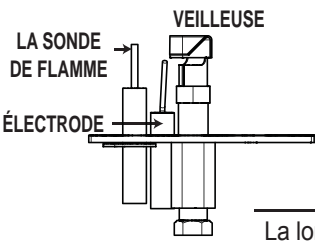
**! AVERTISSEMENT**

**ALLUMEZ TOUJOURS LA VEILLEUSE, QUE CE SOIT POUR LA PREMIÈRE FOIS OU LORSQUE L'APPROVISIONNEMENT EN GAZ EST ÉPUISÉ, AVEC LA PORTE VITRÉE OUVERTE OU RETIRÉE.**

**COUPEZ L'ALIMENTATION EN GAZ ET L'ALIMENTATION ÉLECTRIQUE AVANT DE PROCÉDER À L'ENTRETIEN DE L'APPAREIL.**

**L'APPAREIL PEUT ÊTRE CHAUD. N'EFFECTUEZ AUCUN ENTRETIEN JUSQU'À CE QUE L'APPAREIL SOIT REFROIDI.**

**N'UTILISEZ PAS DE NETTOYANTS ABRASIFS.**

SYMPTÔME	PROBLÈME	SOLUTIONS
La veilleuse ne s'allume pas.	Filage.	- Vérifiez si le fil « S » pour la sonde et le fil « I » pour l'allumeur sont raccordés aux bonnes bornes (non inversés) sur le module d'allumage et l'assemblage de la veilleuse.
Il y a du bruit, mais aucune étincelle au brûleur de la veilleuse.	Connexion desserrée.	- Vérifiez qu'il n'y ait pas de connexions desserrées, de courts-circuits dans le filage ou des contacts avec des objets métalliques.
	Module d'allumage.	- Mettez l'interrupteur MARCHE/ARRÊT à « OFF ». Retirez le fil d'allumage « I » du module. Mettez l'interrupteur MARCHE/ARRÊT à « ON ». Tenez un fil mis à la terre à environ 3/16" (4.8mm) de la borne « I » sur le module. S'il n'y a pas d'étincelle, la borne « I » du module doit être remplacée. S'il y a une étincelle, la borne « I » fonctionne bien. Inspectez l'assemblage de la veilleuse pour un fil causant un court-circuit ou un isolateur craqué autour de l'électrode.
	La longueur de l'étincelle est incorrecte.	- La longueur de l'étincelle de l'allumeur à la veilleuse devrait être de 0,17" ou 1/8" (3.2mm).
	Transformateur.	- Vérifiez si le transformateur est installé et branché dans le module. Vérifiez le voltage du transformateur sous tension aux connexions sur le module avec l'interrupteur MARCHE/ARRÊT à « ON ». Les lectures acceptables d'un bon transformateur se situent entre 3,2 et 2,8 volts C.A.
	Système de dépannage à piles (s'il y a panne de courant)	- Vérifiez les piles
	Une connexion desserrée ou causant un court-circuit.	- Retirez et réinstallez le harnais de fils qui se branche dans le module. Retirez et vérifiez la continuité de chaque fil dans le harnais de fils.
	Filage d'interrupteur inapproprié.	- Réparez le système avec un simple interrupteur MARCHE/ARRÊT.
	Le module n'est pas mis à la terre.	- Vérifiez si les assemblages de la veilleuse et de la soupape sont bien mis à la terre au niveau du châssis métallique de l'appareil ou de l'ensemble de bûches.
	Étincelle à la veilleuse, mais celle-ci ne s'allume pas.	Alimentation en gaz.
	Plus de propane.	- Remplissez le réservoir.

SYMPTÔME	PROBLÈME	SOLUTIONS
Du carbone se dépose sur la vitre, les bûches, les roches, les composants décoratifs ou les parois de la chambre de combustion.	Le volet d'air est bloqué.	- Assurez-vous que l'ouverture du volet d'air n'est pas bloquée par des fibres ou autres obstructions.
	Les flammes effleurent la vitre, les bûches, les roches, les composants décoratifs ou la chambre de combustion.	- Vérifiez si la vitre, les bûches, les roches ou les composants décoratifs sont positionnés correctement. - Augmentez l'ouverture du volet d'air pour augmenter le volume d'air primaire. - Vérifiez le débit d'alimentation : vérifiez que la pression du collecteur et la grandeur de l'injecteur sont telles que spécifiées sur la plaque d'homologation. - Vérifiez si les joints de la porte ne sont pas brisés ou manquants et qu'ils sont étanches. - Vérifiez que les deux conduits d'évent ne sont pas troués et qu'ils sont bien scellés à tous les joints. - Vérifiez si l'élévation minimale par pied est conforme pour toute évacuation horizontale.
Continue de produire des étincelles et la veilleuse s'allume, mais le brûleur principal ne s'allume pas.	Court-circuit ou connexion desserrée dans la tige de la sonde.	- Vérifiez toutes les connexions. Vérifiez si les connexions de l'assemblage de la veilleuse sont serrées; vérifiez aussi si ces connexions ne causent pas de mise à la terre au niveau du métal.
	Mauvais redressement du courant de la flamme ou tige de sonde contaminée.	- Vérifiez si la flamme enveloppe la tige de la sonde. Ceci augmentera le redressement du courant de la flamme. Vérifiez si le bon injecteur de veilleuse est installé et que l'alimentation en gaz est conforme aux spécifications du manuel. (Souvenez-vous que la flamme transporte le courant redresseur et non le gaz. Si la flamme se détache de la hotte, le circuit est rompu. Un mauvais injecteur ou une pression d'arrivée trop élevée peut causer la flamme de la veilleuse à se détacher.) La tige de la sonde a possiblement besoin d'être nettoyée.
	Mauvaise mise à la terre entre l'assemblage de la veilleuse et la soupape de gaz.	- Vérifiez si le harnais de fils est solidement branché au module. Vérifiez si l'isolateur de céramique autour de la sonde est craqué, endommagé ou desserré. Vérifiez la connexion de la tige de la sonde au fil de la sonde.
La veilleuse s'allume. Arrête de produire des étincelles/la veilleuse reste allumée, mais le brûleur ne s'allume pas.	Veilleuse endommagée ou tige de sonde salie.	- Nettoyez la tige de la sonde avec une toile d'émeri afin d'enlever toute contamination qui ait pu s'accumuler sur la tige de la sonde. Vérifiez la continuité avec un multimètre réglé sur Ohms au calibre le plus bas.
	Filage/connexion.	- Inspectez tous les fils, assurez-vous que les connexions sont bien serrées. Vérifiez si tout le filage est installé exactement tel que spécifié.
On détecte l'odeur des gaz de combustion dans la pièce; maux de tête.	Harnais de fils.	- Inspectez le harnais de fils et vérifiez qu'il soit solidement branché au module. Vérifiez que tous les fils sont branchés dans le bon ordre. Voir la section « SCHÉMA DE CÂBLAGE ».
	L'appareil refoule les gaz de combustion dans la pièce.	- Vérifiez tous les joints scellés. - Vérifiez si l'odeur de gaz n'entre pas par une porte ou une fenêtre ouverte.

SYMPTÔME	PROBLÈME	SOLUTIONS
Une pellicule blanche ou grise se forme.	Le soufre du combustible se dépose sur la vitre, les bûches ou les parois de la chambre de combustion.	<ul style="list-style-type: none"> <li>- Nettoyez la vitre avec un nettoyeur recommandé. <b>NE PAS NETTOYER LORSQU'ELLE EST CHAUDE.</b></li> <li>- Si vous ne nettoyez pas les dépôts régulièrement, la vitre risque de rester marquée en permanence.</li> </ul>
Les flammes sont très actives.	<p>La porte est entrouverte.</p> <p>Forte action de ventilation.</p>	<ul style="list-style-type: none"> <li>- Serrez les loquets de porte s'il y a lieu.</li> <li>- Étranglez la sortie de l'évacuation avec la plaque de restriction. Voir la section « <b>ÉTRANGLEMENT DES ÉVÉNEMENTS VERTICAUX</b> » s'il y a lieu.</li> </ul>
La flamme du brûleur principal est bleue, paresseuse et transparente.	<p>Système d'évacuation bloqué.</p> <p>Installation incorrecte.</p>	<ul style="list-style-type: none"> <li>- Enlevez ce qui obstrue. Dans des conditions de froid extrême, une accumulation de glace peut se former sur la terminaison et devrait être enlevée lorsque nécessaire. Pour minimiser les chances que cela survienne de nouveau, il est recommandé que les événements qui passent à travers des espaces non chauffés (greniers, garages, espaces réduits) soient recouverts d'un manchon isolant en mylar. Assurez-vous que le manchon ne puisse pas s'affaisser. Pour plus de renseignements, contactez votre détaillant local autorisé.</li> <li>- Vérifiez les paramètres du système d'évacuation (étanchéité, longueur, élévation, etc.).</li> </ul>
Le brûleur principal s'éteint; la veilleuse s'éteint.	L'évacuation recircule.	<ul style="list-style-type: none"> <li>- Vérifiez l'étanchéité des joints et leur installation.</li> </ul>

42.7\_3B

FR

## 20.0 GARANTIE

Les produits Napoléon® sont fabriqués conformément aux normes strictes du Certificat d'Assurance de la Qualité mondialement reconnu ISO 9001 : 2008.

Les produits Napoléon® sont conçus avec des composants et des matériaux de qualité supérieure, assemblés par des artisans qualifiés qui sont fiers de leur travail. Le brûleur et le montage de la soupape subissent un test de détection de fuite et d'allumage à une station de test de qualité. Une fois assemblé, chaque appareil est soigneusement inspecté par un technicien qualifié avant d'être emballé pour garantir que vous, le client, recevez le produit de qualité dont vous vous attendez de Napoléon®.

### GARANTIE À VIE LIMITÉE DU PRÉSIDENT DES APPAREILS AU GAZ NAPOLÉON®

Les matériaux suivants et la fabrication de votre nouveau appareil au gaz Napoléon® sont garantis contre les défauts tant que vous en êtes le propriétaire. Ceci couvre : la chambre de combustion, l'échangeur de chaleur, le brûleur en acier inoxydable, les bûches PHAZER® et les braises, les roches, la vitre en céramique (cassure thermique seulement), les pièces plaquées or contre le ternissement, les composants en porcelaine émaillée et les moulures d'extrusion en aluminium.\*

Les composants électriques (110V et millivolt) et les pièces soumises à l'usure tels que les souffleries, les soupapes de gaz, l'interrupteur thermique, les interrupteurs, l'installation électrique, les télécommandes, l'allumeur, les joints d'étanchéité et l'assemblage de la veilleuse sont couverts et NAPOLÉON® fournira gratuitement les pièces de rechange durant la première année de la garantie limitée.\*

Les coûts de main-d'oeuvre relatifs aux réparations garanties sont couverts gratuitement durant la première année. Cependant, les travaux de réparation nécessitent l'approbation préalable d'un représentant autorisé de la compagnie. Les coûts de main-d'oeuvre à la charge de Napoléon® sont basés sur un programme de tarifs prédéterminé et tout travail de réparation doit être accompli par l'entremise d'un représentant autorisé Napoléon®.

\* La fabrication de chaque modèle varie. La garantie s'applique uniquement aux composants disponibles avec votre appareil.

### CONDITIONS ET LIMITATIONS

NAPOLÉON® garantit ses produits contre les défauts de fabrication à l'acheteur d'origine seulement. L'enregistrement de la garantie n'est pas nécessaire. Fournissez simplement une preuve d'achat ainsi que le modèle et le numéro de série afin d'effectuer une réclamation de garantie. Napoléon® se réserve le droit de demander à son représentant d'inspecter tous produits ou pièces avant d'honorer toute réclamation. L'achat doit avoir été fait par l'entremise d'un détaillant NAPOLÉON® autorisé et sous réserve des conditions et limitations suivantes :

La couverture de la garantie débute à partir de la date d'installation originale.

Cette garantie du fabricant n'est pas transférable et ne peut être prolongée ou étendue par aucun de nos représentants quelle qu'en soit la raison.

L'appareil au gaz doit être installé par un installateur ou entrepreneur qualifié. L'installation doit être faite conformément aux instructions d'installation incluses avec le produit et à tous les codes d'incendie et de construction locaux et nationaux.

Cette garantie limitée ne couvre pas les dommages causés par un mauvais usage, un manque d'entretien, un accident, des altérations, des abus ou de la négligence et l'installation de pièces d'autres fabricants annulera cette garantie.

Cette garantie limitée ne couvre pas non plus les égratignures, les bossellements, la corrosion ou la décoloration causés par une chaleur excessive, des produits d'entretien chimiques et abrasifs ou l'écaillage des pièces en porcelaine émaillée, le bris par manipulation des bûches PHAZER® et des braises.

NAPOLÉON® garantit à vie ses brûleurs en acier inoxydable contre les défauts de fabrication et de matériau sous réserve des conditions suivantes :

durant les dix premières années, NAPOLÉON® remplacera ou réparera selon notre option les pièces défectueuses gratuitement. Après les dix premières années, NAPOLÉON® fournira les brûleurs de rechange à 50 % du prix de détail courant.

Au cours de la première année seulement, cette garantie s'applique à la réparation ou au remplacement des pièces garanties dont les matériaux ou la fabrication sont défectueux à la condition que le produit ait été utilisé conformément aux instructions de fonctionnement et dans des conditions normales.

Après la première année, concernant cette Garantie à Vie Limitée du Président, NAPOLÉON® peut, à sa discrétion, se libérer entièrement de toutes obligations en ce qui concerne cette garantie en remboursant à l'acheteur d'origine le prix de gros de toute pièce garantie qui est défectueuse.

NAPOLÉON® ne sera pas responsable de l'installation, de la main-d'oeuvre ou autres dépenses relatives à la réinstallation d'une pièce garantie et de telles dépenses ne sont pas couvertes par cette garantie.

Nonobstant toutes les dispositions contenues dans cette Garantie à Vie Limitée du Président, la responsabilité de NAPOLÉON® sous cette garantie est définie comme ci-dessus et elle ne s'appliquera à aucun dommage accidentel, consécutif ou indirect.

Cette garantie définit l'obligation et la responsabilité de NAPOLÉON® en ce qui concerne l'appareil au gaz Napoléon®. Toute autre garantie énoncée ou implicite en ce qui concerne ce produit, ses composants ou accessoires est exclue.

NAPOLÉON® n'autorise aucun tiers à assumer en son nom, toute autre responsabilité concernant la vente de ce produit. NAPOLÉON® ne sera pas responsable d'une surchauffe, des refoulements, des déversements causés par des conditions environnementales telles que des toits, des bâtiments, la proximité d'arbres, de collines, de montagnes, une ventilation ou des événements inadéquats, une configuration d'évacuation excessive, un apport d'air insuffisant ou des pressions négatives qui peuvent ou non être causés par des systèmes mécaniques tels que les ventilateurs d'évacuation, les fournaies, les sècheuses de linge, etc.

Tout dommage causé à l'appareil, à la chambre de combustion, à l'échangeur de chaleur, aux garnitures plaquées ou autres composants par l'eau, les dommages causés par les intempéries, de longues périodes d'humidité, la condensation, des produits chimiques ou produits d'entretien nuisibles ne seront pas la responsabilité de NAPOLÉON®.

Toutes les pièces remplacées en vertu de la politique de Garantie à vie limitée du Président ne peuvent faire l'objet que d'une seule réclamation.

Durant les dix premières années, NAPOLÉON® remplacera ou réparera les pièces défectueuses qui sont couvertes par la garantie à vie limitée à sa discrétion gratuitement. Après les dix premières années, NAPOLÉON® fournira les pièces de rechange à 50 % du prix de détail courant.

Toutes les pièces remplacées au titre de la garantie seront couvertes pour une période de 90 jours à partir de leur date d'installation.

Le fabricant peut exiger que les pièces défectueuses ou les produits soient retournés ou que des photos numériques soient fournies pour valider la réclamation. Les produits retournés doivent être expédiés port payé au fabricant pour une inspection en usine. Si un produit est déclaré défectueux, le fabricant le réparera ou le remplacera.

Avant d'expédier votre appareil ou les pièces défectueuses, votre détaillant doit obtenir un numéro d'autorisation. Toute marchandise expédiée à notre usine sans autorisation sera refusée et retournée à l'expéditeur.

Les coûts d'expédition ne sont pas couverts par cette garantie.

Des frais de service supplémentaires peuvent être appliqués si vous cherchez à obtenir des services au titre de la garantie auprès d'un détaillant. Les indemnités de main-d'oeuvre au titre de la garantie s'appliquent uniquement pour le remplacement d'une pièce garantie. Les frais de déplacement, de tests de diagnostic, d'expédition et autres frais afférents ne sont pas couverts par cette garantie.

TOUTES LES SPÉCIFICATIONS ET LES CONCEPTIONS SONT SUJETTES À MODIFICATIONS SANS PRÉAVIS EN RAISON DES AMÉLIORATIONS CONSTANTES APPORTÉES AUX PRODUITS. NAPOLÉON® EST UNE MARQUE DE COMMERCE DÉPOSÉE DE WOLF STEEL LTÉE.

COMME EXIGÉ PAR LE MINISTÈRE DE L'ÉNERGIE AUX ETATS-UNIS, 10 CFR SÉPARE 430, LA GARANTIE EST VIDE SI CE PRODUIT EST UTILISÉ AVEC UN THERMOSTAT. CECI S'APPLIQUE AU PRODUIT SEULEMENT INSTALLÉ AUX ETATS-UNIS.

2.1C



Autres produits Napoléon®



Foyers encastrés • Grils au charbon de bois • Foyers au gaz • Cascades d'eau  
Poêles à bois • Produits HVAC • Foyers électriques • Foyers extérieurs • Grils à gaz de qualité



7200, Route Transcanadienne, Montréal, Québec H4T 1A3  
24 Napoleon Road, Barrie, Ontario, Canada L4M 0G8  
214 Bayview Drive, Barrie, Ontario, Canada L4N 4Y8  
103 Miller Drive, Crittenden, Kentucky, USA 41030

Foyers / Chauffage et Climatisation / Grils composez : 514-737-6294  
napoleonproducts.com