

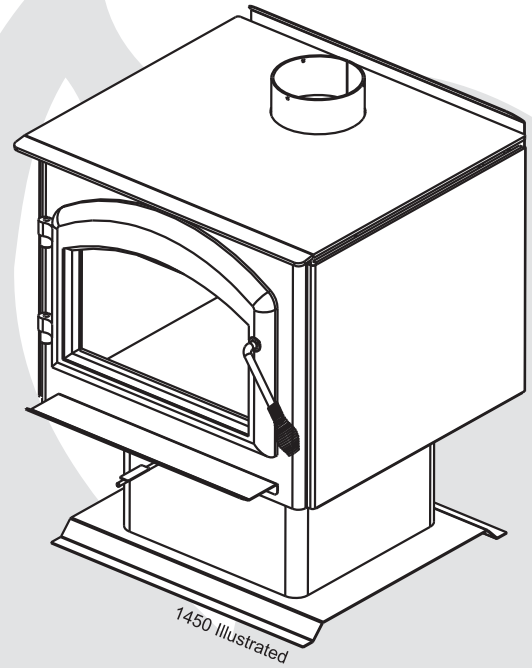
**INSTALLER: LEAVE THIS MANUAL WITH THE APPLIANCE.  
 CONSUMER: RETAIN THIS MANUAL FOR FUTURE REFERENCE.  
 NEVER LEAVE CHILDREN OR OTHER AT RISK INDIVIDUALS ALONE WITH THE APPLIANCE.**



# INSTALLATION AND OPERATING INSTRUCTIONS

CERTIFIED UNDER U.S. ENVIRONMENTAL PROTECTION AGENCY (E.P.A.) JULY 1990 40 C.F.R. PART 60 AND THE OREGON DEPARTMENT OF ENVIRONMENTAL QUALITY (D.E.Q.) PARTICULATE EMISSION STANDARDS BY E.E.M.C THESE STOVES HAVE BEEN TESTED AND LISTED BY INTERTEK TESTING SERVICES TO STANDARDS: CSA B366.2, ULC S627, UL 1482. MODEL 1100 HAS BEEN TESTED AND LISTED FOR INSTALLATION IN MOBILE HOMES.

## EPA 1100, 1150 1400, 1450 & 1900 PEDESTAL MODELS



### SAFETY INFORMATION

#### **! WARNING**

If the information in these instructions is not followed exactly, a fire or explosion may result causing property damage, personal injury or death. Improper installation, adjustment, alteration, service or maintenance can cause injury or property damage, bodily injury or even death. Please read entire manual before you install and use your appliance.

This appliance has not been tested with an unvented gas log set. To reduce risk of fire or injury, do not install an unvented gas log set into the appliance.

- This appliance can be very hot when burning.
- Combustible materials such as firewood, wet clothing, etc. placed too close can catch fire.
- Children and pets must be kept from touching the appliance when it is hot.
- The chimney must be sound and free of cracks. Before installing this unit, contact the local building or fire authority and follow their guidelines.
- Operate only with the door tightly closed.
- Burn wood behind the log retainer directly on the firebricks.
- Do not use an elevated grate or otherwise raise the fire.
- At least 14 square inches of outside air must be admitted to the room or directly to the unit through a 4" diameter pipe.
- This appliance is designed to burn natural wood only. Higher efficiencies and lower emissions generally result when burning air dried seasoned hardwoods, as compared to softwoods or to green or freshly cut hardwoods.
- Do not start a fire with chemicals or fluids such as gasoline, engine oil, etc.
- Do not burn treated wood, coal, charcoal, colored paper, cardboard, solvents or garbage.
- Do not let the appliance become hot enough for any part to glow red.
- KEEP THE STOVE TOP TEMPERATURE BELOW 700°F (371°C). Attempts to achieve heat output rates that exceed design specifications can result in steel distortion and damage.

#### **! WARNING**

**HOT GLASS WILL CAUSE BURNS.**



**DO NOT TOUCH GLASS UNTIL COOLED.**

**NEVER ALLOW CHILDREN TO TOUCH GLASS.**



APPLY SERIAL NUMBER LABEL FROM CARTON



Serial No. XXXXX00000  
 MODEL NO.

Wolf Steel Ltd., 24 Napoleon Rd., Barrie, ON, L4M 0G8 Canada /  
 103 Miller Drive, Crittenden, Kentucky, USA, 41030

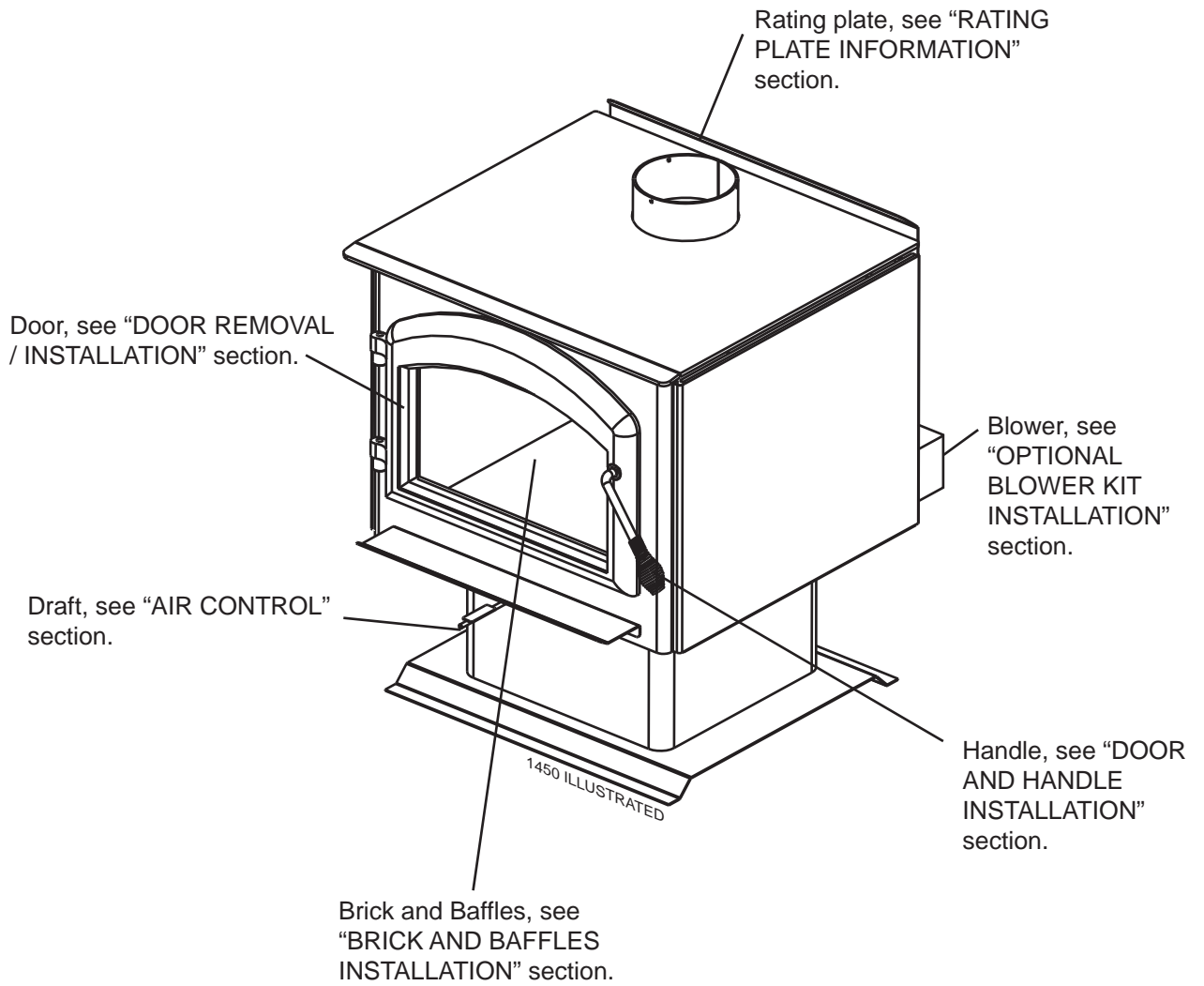
Phone (705)721-1212 • Fax (705)722-6031 • www.napoleonfireplaces.com • ask@napoleonproducts.com

# TABLE OF CONTENTS

<b>1.0</b>	<b>INSTALLATION OVERVIEW</b>	<b>3</b>
<b>2.0</b>	<b>INTRODUCTION</b>	<b>4</b>
2.1	DIMENSIONS	5
2.2	SPECIFICATIONS	5
2.3	GENERAL INSTRUCTIONS	6
2.4	GENERAL INFORMATION	7
2.5	RATING PLATE INFORMATION	8
<b>3.0</b>	<b>PRE-INSTALLATION PREPARATION</b>	<b>9</b>
3.1	APPLIANCE PLACEMENT	9
3.2	CLEARANCE TO COMBUSTIBLES	9
3.3	ALCOVE INSTALLATION	9
3.4	FLOOR PROTECTION	10
3.5	OUTSIDE AIR	10
3.5.1	OUTSIDE AIR - MOBILE HOME	11
3.6	MOBILE HOME	11
<b>4.0</b>	<b>INSTALLATION</b>	<b>12</b>
4.1	CHIMNEY	13
4.1.1	CHIMNEY CONNECTION	14
4.1.2	ADDING SECTIONS	15
4.1.3	TYPICAL THROUGH THE CEILING	16
4.1.4	TYPICAL THROUGH THE WALL	17
4.1.5	TYPICAL EXISTING MASONRY	18
<b>5.0</b>	<b>FINISHING</b>	<b>19</b>
5.1	DOOR REMOVAL / INSTALLATION	19
5.2	DOOR AND HANDLE INSTALLATION	19
5.3	ORNAMENTAL TRIVET INSTALLATION	20
5.4	PEDESTAL TRIM INSTALLATION (IF SUPPLIED)	20
5.5	BRICKS AND BAFFLE INSTALLATION	20
5.6	1150 FEATURES	22
<b>6.0</b>	<b>OPTIONAL KIT INSTALLATIONS</b>	<b>23</b>
6.1	OPTIONAL BLOWER KIT INSTALLATION	23
6.1.1	1150 BLOWER INSTALLATION (EP65)	23
<b>7.0</b>	<b>OPERATION</b>	<b>24</b>
7.1	AIR CONTROL	25
7.2	FIRE EXTINGUISHERS / SMOKE DETECTORS	25
7.3	FUEL	26
7.4	LIGHTING A FIRE	26
7.4.1	FLASH FIRE	26
7.4.2	EXTENDED FIRE	27
7.5	SMOKING	27
<b>8.0</b>	<b>MAINTENANCE</b>	<b>28</b>
8.1	ASH REMOVAL PROCEDURES	28
8.2	APPLIANCES WITHOUT ASH PAN (1450)	29
8.3	CREOSOTE FORMATION AND REMOVAL	29
8.4	RUNAWAY OR CHIMNEY FIRE	29
8.5	CHIMNEY CLEANING	30
8.6	GLASS REPLACEMENT	30
8.7	GASKET REPLACEMENT	31
8.8	CARE OF GLASS	31
8.9	CARE OF PLATED PARTS	31
8.10	WOOD	32
<b>9.0</b>	<b>REPLACEMENTS</b>	<b>33</b>
<b>10.0</b>	<b>TROUBLE SHOOTING</b>	<b>36</b>
<b>11.0</b>	<b>WARRANTY</b>	<b>37</b>
<b>12.0</b>	<b>SERVICE HISTORY</b>	<b>38</b>

**NOTE:** Changes, other than editorial, are denoted by a vertical line in the margin.

# 1.0 INSTALLATION OVERVIEW



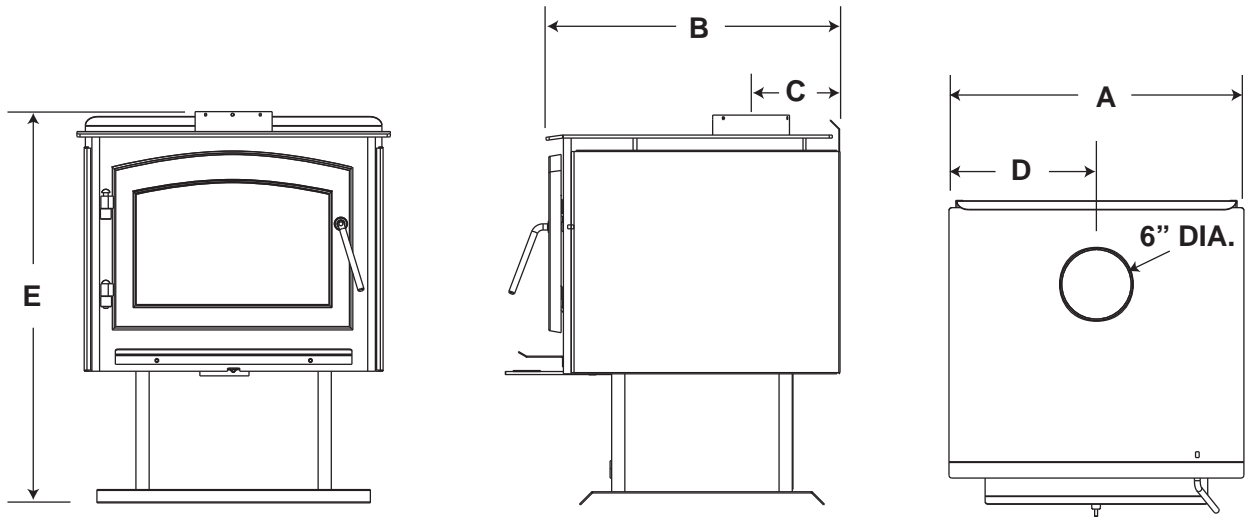
## 2.0 INTRODUCTION

### **WARNING**

- **THIS APPLIANCE IS HOT WHEN OPERATED AND CAN CAUSE SEVERE BURNS IF CONTACTED.**
- **ANY CHANGES OR ALTERATIONS TO THIS APPLIANCE OR ITS CONTROLS CAN BE DANGEROUS AND IS PROHIBITED.**
- Do not operate appliance before reading and understanding operating instructions. Failure to operate appliance according to operating instructions could cause fire or injury.
- Before installing this appliance, contact the local building or fire authority and follow their guidelines.
- This appliance must be installed by a qualified installer.
- Risk of burns. The appliance should be turned off and cooled before servicing.
- Do not operate without fully assembling all components.
- Do not let the appliance become hot enough for any part to glow red.
- Do not install damaged, incomplete or substitute components.
- Risk of cuts and abrasions. Wear protective gloves and safety glasses during installation. Sheet metal edges may be sharp.
- Children and adults should be alerted to the hazards of high surface temperature and should stay away to avoid burns or clothing ignition.
- Young children should be carefully supervised when they are in the same room as the appliance. Toddlers, young children and others may be susceptible to accidental contact burns. A physical barrier is recommended if there are at risk individuals in the house. To restrict access to an appliance or stove, install an adjustable safety gate to keep toddlers, young children and other at risk individuals out of the room and away from hot surfaces.
- Clothing or other flammable material should not be placed on or near the appliance. Objects placed in front of the appliance must be kept a minimum of 48" away from the front face of the appliance.
- Due to high temperatures, the appliance should be located out of traffic and away from furniture and draperies.
- Ensure you have incorporated adequate safety measure to protect infants/toddlers from touching hot surfaces.
- Even after the appliance is out, the glass and/or screen will remain hot for an extended period of time.
- Check with your local hearth specialty dealer for safety screens and hearth guards to protect children from hot surfaces. These screens and guards must be fastened to the floor.
- Any safety screen or guard removed for servicing must be replaced prior to operating the appliance.
- Under no circumstances should this appliance be modified.
- This appliance must not be connected to a chimney flue pipe servicing a separate solid fuel burning appliance.
- Do not operate the appliance with the glass door removed, cracked or broken. Replacement of the glass should be done by a licensed or qualified service person.
- Do not strike or slam shut the appliance glass door.
- Operate only with the doors tightly closed.
- Only doors / optional fronts certified with the unit are to be installed on the appliance.
- Keep the packaging material out of reach of children and dispose of the material in a safe manner. As with all plastic bags, these are not toys and should be kept away from children and infants.
- If the appliance is not properly installed, a house fire may result. Do not expose the appliance to the elements (ex. rain, etc.) and keep the appliance dry at all times. Wet insulation will produce an odour when the appliance is used.
- The chimney must be sound and free of cracks. Clean your chimney a minimum of twice a year and as required.
- Do not start a fire with chemicals or fluids such as gasoline, engine oil, etc.
- Your appliance requires periodic maintenance and cleaning. Failure to maintain your appliance may lead to smoke spillage in your home.
- Higher efficiencies and lower emissions generally result when burning air dried seasoned hardwoods, as compared to softwoods or too green or freshly cut hardwoods. Burning wet unseasoned wood can cause excessive creosote accumulation. When this is ignited it can cause a chimney fire that may result in a serious house fire.
- This appliance is designed to burn natural wood only. Do not burn treated wood, coal, charcoal, coloured paper, cardboard, solvents or garbage.
- Burn wood directly on the firebricks. Do not elevate grate or otherwise raise the fire.
- Do not store wood within appliance installation clearances or within the space required for re-fueling and ash removal.
- Ashes must be disposed in a metal container with a tight lid and placed on a non-combustible surface well away from the home or structure until completely cool.
- Ensure clearances to combustibles are maintained when building a mantel or shelves above the appliance. Elevated temperatures on the wall or in the air above the appliance can cause melting, discolouration or damage to decorations, a T.V. or other electronic components.

3.17C

## 2.1 DIMENSIONS



**1450 ILLUSTRATED**


## 2.2 SPECIFICATIONS

SPECIFICATIONS	Ref.	1100	1150	1400 & 1450	1900
WIDTH	A	25 1/2"	29 3/8"	25 1/2"	25 1/2"
DEPTH	B	22 1/2"	23 3/16"	27"	31 1/2"
FLUE CENTER LINE TO REAR	C	6 1/2"	6 3/4"	7 1/2"	7 1/2"
FLUE CENTER LINE TO SIDE	D	12 3/4"	14 11/16"	12 3/4"	12 3/4"
HEIGHT	E	33 1/4"	36 1/2"	33 1/4"	33 1/4"
CHAMBER (D.W.H)		13 1/2x18x12"	13 1/2x18x12"	18x18x12"	22 1/2x18x12"
CAPACITY		1.7ft <sup>3</sup>	1.7ft <sup>3</sup>	2.25ft <sup>3</sup>	3.0ft <sup>3</sup>
APPROX. AREA HEATED*		600-1500 ft <sup>2</sup>	600-1500 ft <sup>2</sup>	1000-2000 ft <sup>2</sup>	1000-3500 ft <sup>2</sup>
HEAT OUTPUT (HIGH BURN) **		55,000 BTU	55,000 BTU	70,000 BTU	85,000 BTU
DURATION LOW FIRE*		7 Hours	7 Hours	9 Hours	12 Hours
WEIGHT w/o BRICKS		215 lbs	280 lbs	250 lbs	285 lbs
WEIGHT OF BRICKS		110 lbs	110 lbs	145 lbs	114 lbs
IDEAL WOOD LENGTH		12"	12"	16"	21"

\* Figures will vary considerably with individual conditions.

\*\* Wolf Steel Ltd. estimated realistic BTU/h with hardwood logs and regular refueling.

## 2.3 GENERAL INSTRUCTIONS

 <b>WARNING</b>
<b>ALL WIRING SHOULD BE DONE BY A QUALIFIED ELECTRICIAN AND SHALL BE IN COMPLIANCE WITH LOCAL CODES. IN THE ABSENCE OF LOCAL CODES, USE THE CURRENT CSA22.1 CANADIAN ELECTRIC CODE IN CANADA OR THE CURRENT NATIONAL ELECTRIC CODE ANSI/NFPA NO. 70 IN THE UNITED STATES.</b>
<b>THIS APPLIANCE HAS NOT BEEN TESTED WITH ANY VENTED OR UNVENTED GAS LOG SET. TO REDUCE RISK OF FIRE OR PREVENT INJURY, DO NOT INSTALL A VENTED OR UNVENTED GAS LOG SET INTO THE APPLIANCE.</b>
<b>BURNING YOUR UNIT WITH THE ASH DUMP DOOR OPEN OR AJAR CREATES A FIRE HAZARD THAT MAY RESULT IN DISCOLOURATION TO THE GOLD PLATED DOOR, INTERNAL DAMAGE TO THE APPLIANCE OR A HOUSE CHIMNEY FIRE.</b>
<b>DO NOT CONNECT THIS APPLIANCE TO A CHIMNEY FLUE SERVING ANOTHER APPLIANCE.</b>
<b>THIS APPLIANCE AND IT'S COMPONENTS ARE DESIGNED TO BE INSTALLED AND OPERATED AS A SYSTEM. ANY ALTERATION TO OR SUBSTITUTION FOR ITEMS IN THIS SYSTEM, UNLESS ALLOWED BY THESE INSTALLATION INSTRUCTIONS, WILL VOID THE LISTING AND MAY VOID THE PRODUCT WARRANTY. IT MAY ALSO CREATE A HAZARDOUS INSTALLATION. READ THROUGH THESE INSTRUCTIONS THOROUGHLY BEFORE STARTING YOUR INSTALLATION AND FOLLOW THEM CAREFULLY THROUGHOUT YOUR PROJECT.</b>

4.7

- Before beginning your installation, consult with your local building code agency or fire officials and insurance representative to ensure compliance.
- Non-toxic smoke will be emitted during the paint curing process, to help dissipate the smoke open a window near the appliance.
- Remove any dust or debris off the top of the appliance before firing the appliance as the paint will become soft as the appliance heats up and will harden as the appliance cures. To cure the paint on your appliance burn your appliance moderately hot during the first few fires.
- To keep the gasket from sticking to the appliance as the paint is curing, periodically open the door every 5-10 minutes.
- For the first two weeks use generous amounts of fuel and burn the appliance with the damper wide open for an hour as the appliance goes through a process of eliminating moisture in the steel and fire-bricks. The initial heat output will be reduced while the moisture is being drawn from the appliance and it will be necessary to build several hot fires to remove this moisture. **DURING THIS PROCESS DO NOT OVERFIRE THE APPLIANCE. REDUCE THE AMOUNT OF AIR COMING INTO THE APPLIANCE IF THE APPLIANCE OR CHIMNEY BECOMES RED.**

## 2.4 GENERAL INFORMATION

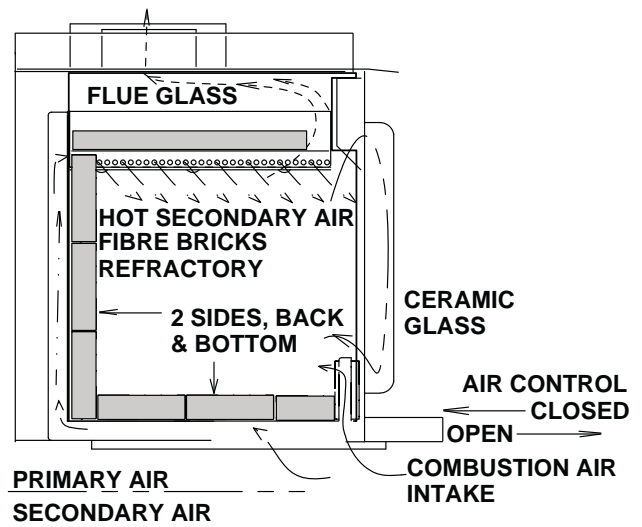
### ! WARNING

**DO NOT OPERATE THIS APPLIANCE WITHOUT THE PEDESTAL INSTALLED.**

Your appliance has been specifically designed over many months of research to meet the 1990 U.S.A. EPA particulate emission standards and have been extensively tested in Canadian and American laboratories. This system is the most efficient, simple and trouble free we know and works as follows:

The chimney vent system used on your wood burning appliance should be designed with the least amount of restriction possible to enable the exhaust products to easily flow through it. Chimney vent systems that are too short or too long can also have an adverse affect on the flow of exhaust through it. The wood burning appliance and chimney vent system also require a sufficient supply of combustion air not only to support the combustion in the combustion chamber but to replace the exhaust leaving it so it can flow freely up through the vent system and out into the atmosphere. It is the correct balance of combustion air and the chimney vent system that will ensure the appliance provides you with its optimum performance.

Combustion air enters through two holes in the bottom which can be adjusted by a single air control. Air from the front hole goes up on either side of the door into a preheating airwash located across the top and then down the window to feed the fire and also to ensure that the glass remains clean. Air from this hole also feeds directly into the combustion chamber at hearth level. Secondary air from the rear hole travels up the back in the secondary air housing to the manifold located at the top and shoots out laterally to oxidize the gases below the smoke exit. The combustion chamber is lined with high temperature firebrick on 2 sides, the back and across the bottom, with a layer of fibre baffles at the top to maintain a high temperature in the combustion chamber so that gases mixing with the preheated air from the secondary air manifold tube are easily ignited and burned. The stove sides and back are shielded to direct the heat upwards and forwards into the room.



Be sure to provide sufficient combustion air. There are many other appliances in your home competing for air such as: a kitchen range hood, forced air heating devices or a bathroom exhaust fan.

Expansion / contraction noises during heating up and cooling down cycles are normal and to be expected.

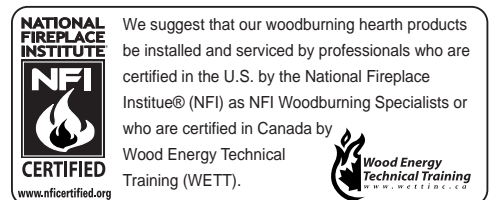
After extended periods of non-operation such as following a vacation or a warm weather season, the appliance may emit a slight odour for a few hours. This is caused by dust particles on the firebox burning off. Open a window to sufficiently ventilate the room.

#### **CALIFORNIA PROP 65 WARNING:**

Use of this product may produce smoke which contains chemicals known to the State of California to cause cancer, birth defects, or other reproductive harm.

If the outside air feature of the stove is utilized, you should never experience a shortage of combustion air. If you choose not to utilize outside air and experience draft or smoking problems, you may need to open a door or window.

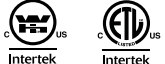
To ensure that the ash dump door is tightly closed, allow the door to snap shut dislodging anything (ashes or pieces of coal) that may be stuck in the opening.



## 2.5 RATING PLATE INFORMATION

For rating plate location, see "INSTALLATION OVERVIEW" section.


This illustration is for reference only. Refer to the rating plate on the appliance for accurate information.



**Intertek**  
15982

**Intertek**  
9700539 (WSL)  
4001657 (NGZ)  
4001658 (NAC)  
4001659 (WUSA)

**LISTED SOLID FUEL BURNING SPACE HEATER / POËLE À COMBUSTIBLE SOLIDE HOMOLOGUÉ**  
**TESTED TO: / TESTÉ SELON: UL1482 / ULC S627**  
**MODEL / MODÈLE - EPA 1400**



**INSTALL AND USE ONLY IN ACCORDANCE WITH THE MANUFACTURER'S INSTRUCTIONS AND LOCAL BUILDING CODES.**  
MINIMUM CEILING HEIGHT: 7 FT (2.13m)

**HEARTH EXTENSION / COMBUSTIBLE FLOOR PROTECTION:** IF INSTALLED ON A COMBUSTIBLE FLOOR, UNIT MUST BE PLACED ON A NON-COMBUSTIBLE FLOOR PROTECTOR EXTENDING 18" (455mm) IN FRONT AND 8" (205mm) TO THE SIDES AND BACK.

**CHIMNEY TYPE:** MINIMUM 6" (152mm) DIAMETER APPROVED RESIDENTIAL TYPE FOR MOBILE HOME USE A CHIMNEY LISTED TO ULC S629 IN CANADA OR UL 103HT IN THE USA.

**CHIMNEY CONNECTOR:** 6" (152mm) DIAMETER MINIMUM 24 GAUGE STEEL MINIMUM CLEARANCE FROM HORIZONTAL CONNECTOR AND CEILING 18" (455mm). DO NOT OBSTRUCT SPACE UNDER HEATER. SPECIAL METHODS ARE REQUIRED WHEN PASSING A CHIMNEY THROUGH A WALL OR CEILING. SEE INSTRUCTIONS AND BUILDING CODES. DO NOT CONNECT THIS UNIT TO A CHIMNEY FLUE SERVING ANOTHER APPLIANCE.

**FUEL:** FOR USE WITH WOOD ONLY. DO NOT USE GRATE OR ELEVATE FIRE. BUILD WOOD FIRE DIRECTLY ON HEARTH.

**WARNING:** RISK OF SMOKE SPILLAGE. OPERATE ONLY WITH DOOR FULLY CLOSED. REPLACE GLASS ONLY WITH CERAMIC GLASS. DO NOT OVERFIRE. IF HEATER OR CHIMNEY CONNECTORS GLOW, YOU ARE OVERFIRING. INSPECT AND CLEAN CHIMNEY FREQUENTLY. UNDER CERTAIN CONDITIONS OF USE CREOSOTE BUILD-UP MAY OCCUR RAPIDLY.

**OPTIONAL BLOWER KIT:** EP-62, 115V, 60HZ/0.82AMP. ROUTE CORD AWAY FROM UNIT.

**DANGER:** RISK OF ELECTRICAL SHOCK. DISCONNECT POWER BEFORE SERVICING UNIT.

**INSERT:** INSTALL AND USE ONLY IN SOLID FUEL BURNING FIREPLACES. DO NOT REMOVE BRICKS OR MORTAR FROM SOLID FUEL BURNING FIREPLACE. INSTALL WITH A POSITIVE FLUE CONNECTOR AND FACEPLATE.

**POUR INSTALLATION ET UTILISATION CONFORMÉMENT AUX INSTRUCTIONS DU FABRICANT ET AUX CODES LOCAUX DU BÂTIMENT.** HAUTEUR DE PLAFOND MINIMAL 7PI (2.13m).

**PROLONGEMENT D'ÂTRE/PROTECTION DU PLANCHER COMBUSTIBLE:** SI L'APPAREIL DOIT ÊTRE PLACÉ SUR UNE PLAQUE PROTECTRICE INCOMBUSTIBLE S'ÉTENDANT SUR 18" (455mm) À L'AVANT ET 8" (205mm) À L'ARRIÈRE ET SUR LES CÔTÉS.

**TYPE DE CHIMNÉE:** DIAMÈTRE MINIMAL DE 6" (152mm) APPROUVÉ POUR USAGE RÉSIDUEL. MAISON MOBILE EMPLOYEZ UNE CHIMNÉE HOMOLOGUÉE ULC S629 AU CANADA OU UL 103HT AUX ÉTATS-UNIS.

**RACCORD DE CHIMNÉE:** DIAMÈTRE DE 6" (152mm) D'ACIER DE CALIBRE 24 MINIMUM. 18" (455mm) DE DÉGAGEMENT MINIMAL ENTRE LE RACCORD HORIZONTAL ET LE PLAFOND. NE RIEN ENTREPOSER SOUS L'APPAREIL. DES MÉTHODES SPÉCIALES SONT REQUISES LORSQU'UNE CHIMNÉE TRAVERSE UN MUR OU UN PLAFOND. VOIR LES INSTRUCTIONS ET LES CODES DU BÂTIMENT. NE PAS RACCORDER À LA CHIMNÉE D'AUTRE APPAREIL COMBUSTIBLE. POUR USAGE AVEC LE BOIS SEULEMENT. N'UTILISEZ PAS DE CHENET OU NE SURÉLEVEZ PAS LE BOIS. PRÉPAREZ LE FEU DIRECTEMENT SUR L'ÂTRE.

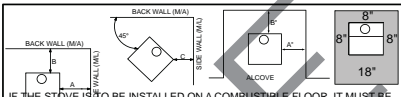
**AVERTISSEMENT:** RISQUE D'ÉCHAPPEMENT DE FUMÉE. TENIR LA PORTE FERMÉE LORSQUE LE POËLE FONCTIONNE. REMPLACEZ LA VITRE PAR UNE VITRE EN CÉRAMIQUE SEULEMENT. NE SURCHAUFFEZ PAS L'APPAREIL. SI L'APPAREIL OU LES RACCORDS ROUGEOTENT, L'APPAREIL SURCHAUFFÉ. INSPECTEZ ET NETTOYEZ L'ÂTRE FREQUENTEMENT. DANS CERTAINES CONDITIONS, DES DÉPÔTS DE CREOSOTE PEUVENT SE FORMER RAPIDEMENT.

**SOUFFLERIE OPTIONNELLE:** EP-62, 115V, 60HZ, 0.82A. TENEZ LE CORDON ÉLECTRIQUE LOIN DE L'APPAREIL.

**DANGER:** RISQUE DE SECousse ÉLECTRIQUE. DÉBRANCHEZ AVANT DE PROCÉDER À L'ENTRETIEN.

**ENCASTRE:** INSTALLEZ ET UTILISEZ SEULEMENT DANS UN FOYER À COMBUSTIBLE SOLIDE. NE RETIREZ PAS DE MORTIER, NI BRIQUES DU FOYER À COMBUSTIBLE SOLIDE. INSTALLEZ AVEC UNE GÂNE CONFORME ET UNE PLAQUE DE RECouvreMENT.

**CONTACT LOCAL BUILDING FIRE OFFICIALS ABOUT RESTRICTIONS AND INSTALLATION INSPECTION IN YOUR AREA.** MODEL 1400 IS SUITABLE FOR USE IN MOBILE HOMES WHEN USED WITH OUTSIDE AIR INSTALLATION KIT (111KT). A MINIMUM CLEARANCE OF 18" (457mm) TO THE CHIMNEY CONNECTOR MAY BE REQUIRED BY THE AUTHORITY HAVING JURISDICTION. RENSEIGNEZ-VOUS AUPRÈS DES AUTORITÉS LOCALES DU BÂTIMENT ET DU SERVICE DES INCENDIES AU SUJET DES RESTRICTIONS ET DES INSPECTIONS D'INSTALLATION DANS VOTRE RÉGION. LES MODÈLES 1400 PEUVENT ÊTRE INSTALLÉS DANS UNE MAISON MOBILE SI INSTALLÉS CONJOINTEMENT AVEC UNE PRISE D'AIR EXTÉRIEUR (111KT). UN DÉGAGEMENT MINIMAL DE 18" (457mm) JUSQU'AU RACCORD DE LA CHIMNÉE PEUT ÊTRE EXIGÉ PAR L'AUTORITÉ AYANT JURISDICTION.



**IF THE STOVE IS TO BE INSTALLED ON A COMBUSTIBLE FLOOR, IT MUST BE PLACED ON AN APPROVED NON-COMBUSTIBLE HEARTH PAD, THAT EXTENDS 8" (200mm) BEYOND THE STOVE SIDES AND BACK, AND 18" (455mm) TO THE FRONT.**

**SI LE POËLE EST INSTALLÉ SUR UN PLANCHER COMBUSTIBLE, IL DOIT ÊTRE PLACÉ SUR UNE BASE DE PROTECTION INCOMBUSTIBLE CERTIFIÉE QUI DOIT DÉPASSER LES CÔTÉS ET L'ARRIÈRE DU POËLE DE 8" (200mm) ET SE PROLONGER DE 18" (455mm) SUR LE DEVANT.**

**MINIMUM CLEARANCE TO COMBUSTIBLE MATERIAL WITH SINGLE WALL CHIMNEY CONNECTOR / DÉGAGEMENTS MINIMAUX AUX MATÉRIAUX COMBUSTIBLES AVEC RACCORD DE CHIMNÉE À PAROI SIMPLE:**

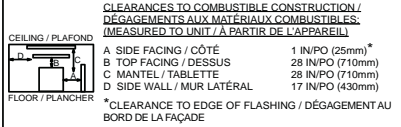
FROM HEATER / DU POËLE		RESIDENTIAL / RÉSIDUEL	
1400	1400	12IN/PO (305 mm)	12IN/PO (305 mm)
1400L	1400L	12IN/PO (305 mm)	6IN/PO (150 mm)
1402	1402	12IN/PO (305 mm)	6IN/PO (150 mm)
1450	1450	12IN/PO (305 mm)	6IN/PO (150 mm)
1400C	1400C	12IN/PO (305 mm)	6IN/PO (150 mm)

**USING DOUBLE WALL CONNECTOR / UTILISATION D'UN CONDUIT DE RACCORDEMENT À DOUBLE PAROI:**

1400		1400	
10IN/PO (254 mm)	10IN/PO (254 mm)	10IN/PO (254 mm)	10IN/PO (254 mm)
6IN/PO (152 mm)	6IN/PO (152 mm)	6IN/PO (152 mm)	6IN/PO (152 mm)
4IN/PO (102 mm)	4IN/PO (102 mm)	4IN/PO (102 mm)	4IN/PO (102 mm)

\* MODEL 1400 MAY BE INSTALLED INTO A MOBILE HOME IN THE UNITED STATES ONLY.  
\* LE MODÈLE 1400 NE PEUT ÊTRE INSTALLÉ QUE DANS UNE MAISON MOBILE AUX ÉTATS-UNIS SEULEMENT.

**LISTED SOLID FUEL BURNING FIREPLACE INSERT / ENCASTRE À COMBUSTIBLE SOLIDE HOMOLOGUÉ**  
**TESTED TO: / TESTÉ SELON: ULC S628 / UL 1482** **EPI 1402**



**CLEARANCES TO COMBUSTIBLE CONSTRUCTION / DÉGAGEMENTS AUX MATÉRIAUX COMBUSTIBLES: (MEASURED TO UNIT / À PARTIR DE L'APPAREIL)**

A SIDE FACING / CÔTÉ	1 IN/PO (25mm)*
B TOP FACINGS / DESSUS	28 IN/PO (710mm)
C MANTEL / TABLETTE	28 IN/PO (710mm)
D SIDE WALL / MUR LATÉRAL	17 IN/PO (430mm)

\* CLEARANCE TO EDGE OF FLASHING / DÉGAGEMENT AU BORD DE LA FAÇADE

**CAUTION: HOT WHILE IN OPERATION. DO NOT TOUCH. KEEP CHILDREN, CLOTHING AND FURNITURE AWAY. CONTACT MAY CAUSE SKIN BURNS.**

**ATTENTION: QUAND L'APPAREIL FONCTIONNE, LA SURFACE DEVIENT CHAUDE. NE PAS TOUCHER. TENIR LES ENFANTS, LES VÊTEMENTS ET LES MEUBLES À L'ÉCART. LE CONTACT PEUT CAUSER DES BRÛLURES À LA PEAU.**

**U.S. Environmental Protection Agency** Certified to comply with July 1990, particulate emissions standards/  
Certifié conforme à la norme d'émission de particules de juillet 1990: 40 CFR Part 60, Subpart AAA

**WOLF STEEL LTD.**  
24 NAPOLEON ROAD, BARRIE, ON, L4M 0G8 CANADA

**EPA1400** **W385-0401 / J**

### 1400 SERIES RATING PLATE ILLUSTRATED



## 3.0 PRE-INSTALLATION PREPARATION

### 3.1 APPLIANCE PLACEMENT

Have an authorized dealer install the appliance. If you install the appliance yourself, have your dealer review your installation plans and/or installation.

Draw out a detailed plan of the installation including dimensions and verify the dimensions with the requirements listed in this manual.

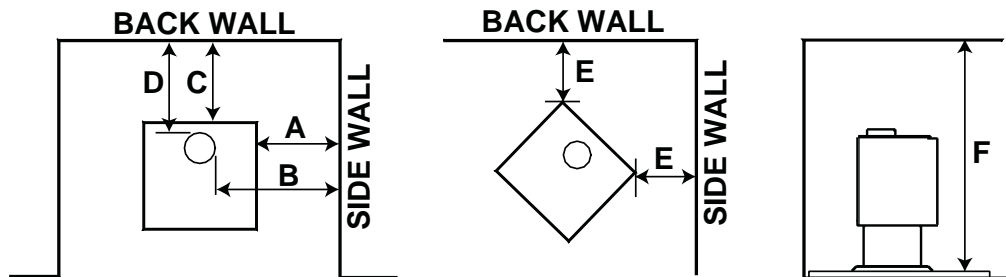
You may wish to adjust the appliance position slightly to ensure the vent does not intersect with a framing member. Appliance must be positioned so that no combustibles are within, or can swing within (e.g. drapes, doors), 48" of the front of the appliance.

67.1A

### 3.2 CLEARANCE TO COMBUSTIBLES

**! WARNING**

**DO NOT INSTALL INTO ANY AREA HAVING A HEIGHT LESS THAN 7 FEET (CEILING OF ENCLOSURE TO APPLIANCE BOTTOM, EXCLUDING HEARTH HEIGHT).**



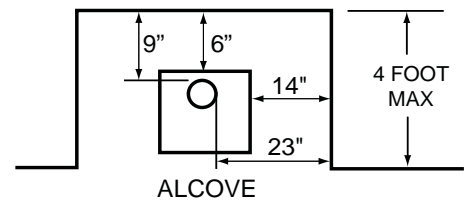
PARALLEL & CORNER	SINGLE WALL CONNECTOR			DOUBLE WALL CONNECTOR		
	1100 / 1150	1400 / 1450	1900	1100	1400 / 1450	1900
SIDEWALL (A)	12"	12"	22"	10"	10"	22"
SIDEWALL TO FLUE (B)	21"	21"	21"	19"	19"	19"
BACKWALL (C)	10"	12"	12"	6"	6"	12"
BACKWALL TO FLUE (D)	13"	16.5"	16.5"	9"	9"	16.5"
CORNER (E)	6"	6"	8"	2"	4"	8"
CEILING (F)	84"	84"	84"	84"	84"	84"

Clearances can be reduced with shielding acceptable to local authorities. Reduced installation must comply with NFPA 211 or CAN/CSA-B365.

Clearances are unable to be reduced for the 1150 by using double wall pipe.

### 3.3 ALCOVE INSTALLATION

1100 series only may be installed, using a listed double wall connector, such as Security DL6 in Canada, the Simpson Duravent Plus DVL in the USA or an equivalent double wall connector, into an alcove having a depth of no more than 4 feet and a height of at least 7 feet. The minimum clearances are as shown.

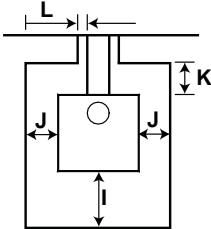


3.4 FLOOR PROTECTION

**EMBER PROTECTOR:**

This appliance must be installed on a non-combustible protector that extends to the front, sides and back of the appliance as per the minimum requirements below.

**NOTE:** Ember protection is required for spark and ash shielding, not for limiting floor temperatures from the radiant heat of the appliance. The appliance was designed and safety tested so that without any protection, the floor will not overheat.



MINIMUM FLOOR PROTECTION				
	FRONT (I)	SIDES (J)	BACK (K)	VENT (L)
CANADA	18"	8"	8"	N/A
USA	16"	8"	8"	2"

99.1A

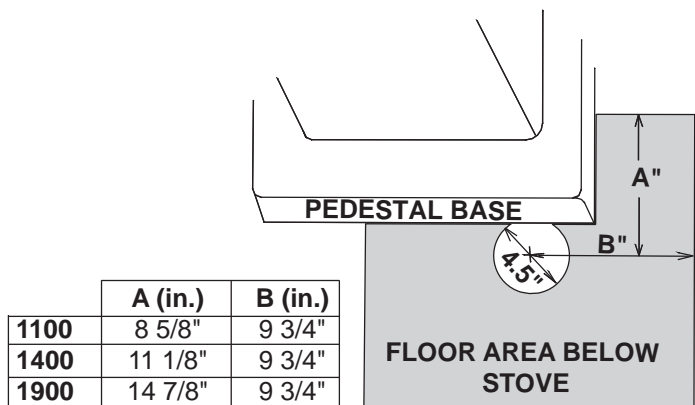
3.5 OUTSIDE AIR

**! WARNING**

**IF ROOM AIR STARVATION OCCURS BECAUSE THE FRESH AIR INTAKE IS BLOCKED WITH ICE, LEAVES, ETC., OR BECAUSE THE APPLIANCE DOOR WAS LEFT OPEN, OR DUE TO A STRONG EXHAUST FAN OPERATING ETC., DANGEROUS FUMES AND SMOKE FROM THE OPERATING APPLIANCE COULD BE DRAWN INTO THE ROOM.**

The following are signs that a fresh air kit may be required:

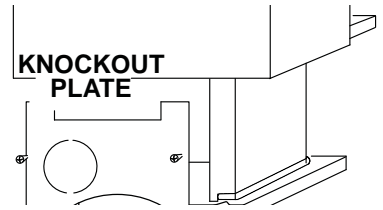
- When there is combustion present: Wood burns poorly, smoke spills, back-draft takes place and your chimney does not draw steadily.
- In the winter there is too much condensation on the windows.
- Opening a window seems to alleviate the above symptoms.
- A ventilation system is installed in the house.
- Other devices are present that exhaust house air.
- The house has tight fitting windows and/or is equipped with a well-sealed vapour barrier.



If possible connect the air intake at the pedestal's back or bottom to outside air with a 4 inch (100mm) diameter fresh air kit available at your authorized dealer / distributor. Follow detailed instructions under "Mobile Home Outside Air".

### 3.5.1 OUTSIDE AIR - MOBILE HOME

Connection from the stove's air intake to outside air is mandatory in mobile homes only, either through a hole in the wall to line up with the knockout in the pedestal back, or through a hole in the floor to line up with the hole in the pedestal base. Use a fresh air kit. Secure the 4 inch diameter aluminum liner by flaring the end once it is inserted through the 4-1/2 inch diameter hole in either the back or base of the pedestal. If the air intake is through the floor, the hole in the pedestal back must be covered with sheet metal to avoid cold air spillage into the room. A cover plate is available from your Wolf Steel Ltd. dealer. Avoid cutting away floor joists, wall studs, electrical wires or plumbing. Seal around the outside pipe with insulation to prevent drafts.



Attach the rear knockout plate (located inside the ash pan for shipping purposes).

\* NOTE: The 1450 can only have outside air connected to pedestal backplate. Connection to bottom of pedestal not available.

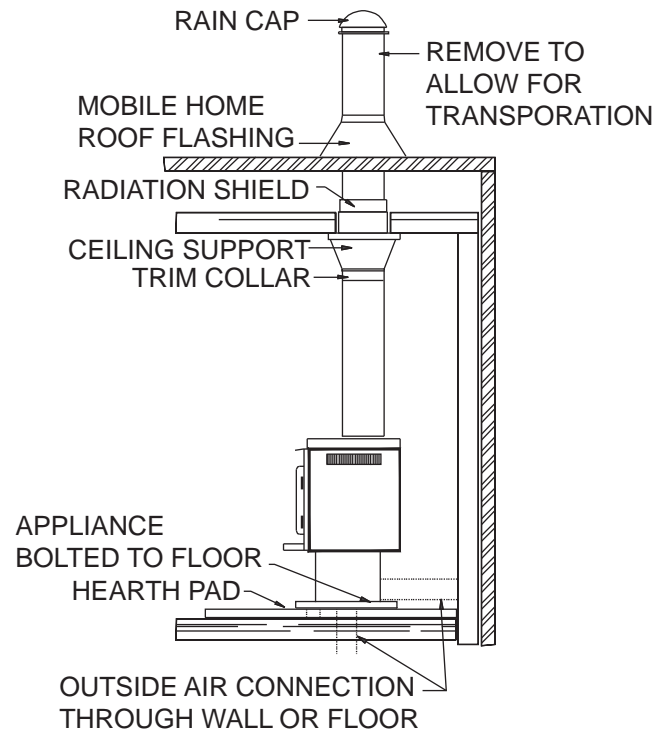
### 3.6 MOBILE HOME

<b>! WARNING</b>
<b>DO NOT INSTALL IN SLEEPING ROOM.</b>
<b>THE STRUCTURAL INTEGRITY OF THE MOBILE HOME FLOOR, WALL AND CEILING/ROOF MUST BE MAINTAINED.</b>
<b>THE APPLIANCE MUST BE PROVIDED WITH OUTSIDE COMBUSTION AIR.</b>
<b>THE APPLIANCE MUST BE BOLTED TO THE FLOOR.</b>
<b>INSTALL ACCORDING TO 24 CFR, PART 3280 (HUD).</b>
<b>USE A CHIMNEY CERTIFIED FOR WOOD BURNING UL 103 S629, TYPE HT (2100°F).</b>


Model 1100 is approved for installation in mobile homes in both Canada and the United States. Model 1150/1900 is not approved for mobile homes. Model 1400/1450\* is approved for installation in mobile homes in the United States only.

The pedestal base must be firmly bolted to the floor with 1/4 inch lag bolts. For specific clearances, see "MINIMUM CLEARANCES TO COMBUSTIBLES" section.

The appliance must be installed between ceiling joists, with radiation shield and roof flashing, so that the structural strength, insulation and waterproof qualities of the home are not lessened. Seal with silicone to maintain a vapour barrier at the chimney and outside air pipe penetrations.




## 4.0 INSTALLATION

 <b>WARNING</b>
<b>WEAR GLOVES AND SAFETY GLASSES FOR PROTECTION.</b>
<b>CAREFULLY FOLLOW THE INSTRUCTIONS FOR ASSEMBLY OF THE PIPE AND OTHER PARTS NEEDED TO INSTALL THE APPLIANCE. FAILURE TO DO SO MAY RESULT IN A FIRE, ESPECIALLY IF COMBUSTIBLES ARE TOO CLOSE TO THE APPLIANCE OR CHIMNEY AND AIR SPACES ARE BLOCKED, PREVENTING THE FREE MOVEMENT OF COOLING AIR.</b>
<b>DO NOT DRAW OUTSIDE AIR FROM GARAGE SPACES. EXHAUST PRODUCTS OF GASOLINE ENGINES ARE HAZARDOUS.</b> <b>DO NOT INSTALL OUTSIDE AIR DUCTS SUCH THAT THE AIR MAY BE DRAWN FROM ATTIC SPACES, BASEMENTS OR ABOVE THE ROOFING WHERE OTHER HEATING APPLIANCES OR FANS AND CHIMNEYS EXHAUST OR UTILIZE AIR. THESE PRECAUTIONS WILL REDUCE THE POSSIBILITY OF APPLIANCE SMOKING OR AIR FLOW REVERSAL. THE OUTSIDE AIR INLET MUST REMAIN CLEAR OF LEAVES, DEBRIS ICE AND/OR SNOW. IT MUST BE UNRESTRICTED WHILE APPLIANCE IS IN USE TO PREVENT ROOM AIR STARVATION WHICH CAN CAUSE SMOKE SPILLAGE AND AN INABILITY TO MAINTAIN A FIRE. SMOKE SPILLAGE CAN ALSO SET OFF SMOKE ALARMS.</b>
<b>NEGATIVE PRESSURE WITHIN YOUR HOME MAY INADVERTENTLY AFFECT YOUR APPLIANCE.</b>
<b>TO PREVENT CONTACT WITH SAGGING OR LOOSE INSULATION, THE APPLIANCE MUST NOT BE INSTALLED AGAINST VAPOUR BARRIERS OR EXPOSED INSULATION. LOCALIZED OVERHEATING COULD OCCUR AND A FIRE COULD RESULT.</b>
<b>DO NOT USE MAKESHIFT COMPROMISES DURING INSTALLATION. DO NOT BLOCK OR RESTRICT AIR, GRILLE OR LOUVRE OPENINGS. DO NOT ADD A HOOD.</b>
<b>KEEP HAND TOOLS IN GOOD CONDITION, SHARPEN CUTTING EDGES AND MAKE SURE TOOL HANDLES ARE SECURE.</b>
<b>ALWAYS MAINTAIN THE MINIMUM AIR SPACE REQUIRED TO THE ENCLOSURE TO PREVENT FIRES.</b>

68.3A

## 4.1 CHIMNEY

 <b>WARNING</b>
<b>NEVER INSTALL A SINGLE WALL SLIP SECTION OR SMOKE PIPE IN A CHASE STRUCTURE. THE HIGHER TEMPERATURE OF THIS SINGLE WALL PIPE MAY RADIATE SUFFICIENT HEAT TO COMBUSTIBLE CHASE MATERIALS TO CAUSE FIRE.</b>
<b>DO NOT CONNECT THIS APPLIANCE TO A CHIMNEY SYSTEM SERVING ANOTHER APPLIANCE.</b>
<b>TO AVOID DANGER OF FIRE, ALL INSTRUCTIONS MUST BE STRICTLY FOLLOWED, INCLUDING THE PROVISIONS OF AIR SPACE CLEARANCE BETWEEN CHIMNEY SYSTEM AND ENCLOSURE. TO PROTECT AGAINST THE EFFECTS OF CORROSION ON THOSE PARTS EXPOSED TO THE WEATHER, WE RECOMMEND THAT THE CHASE TOP BE PAINTED WITH A RUST RESISTANT PAINT.</b>
<b>DO NOT FILL ANY FRAMED SPACE AROUND THE CHIMNEY WITH INSULATION OR ANY OTHER MATERIAL INSULATION PLACED IN THIS AREA COULD CAUSE ADJACENT COMBUSTIBLES TO OVERHEAT.</b>
<b>MAINTAIN A MINIMUM 2" AIR CLEARANCE TO ALL PARTS OF THE CHIMNEY SYSTEM AT ALL TIMES. FAILURE TO MAINTAIN THIS 2" AIR CLEARANCE WILL CAUSE A STRUCTURE FIRE. NEVER FILL THIS SPACE WITH ANY TYPE OF MATERIAL.</b>
<b>DETAILED INSTRUCTIONS FOR INSTALLATION OF THE CHASE TOP, STORM COLLAR AND TERMINATION CAP ARE PACKAGED WITH THESE PARTS.</b>
<b>DO NOT CUT RAFTERS OR CEILING JOISTS WITHOUT FIRST CONSULTING A BUILDING OFFICIAL TO ENSURE STRUCTURAL INTEGRITY IS NOT COMPROMISED.</b>
<b>FIRESTOP SPACERS MUST BE USED WHENEVER THE CHIMNEY PENETRATES A CEILING/FLOOR AREA.</b>
<b>THE TOTAL HORIZONTAL VENT LENGTH SHOULD NOT EXCEED 40% OF THE CHIMNEY HEIGHT ABOVE THE STOVE. ALL HORIZONTAL SMOKE PIPE MUST SLOPE SLIGHTLY UPWARDS A MINIMUM OF 1/4" PER FOOT AND ALL CONNECTIONS MUST BE TIGHT AND SECURED BY THREE SHEET METAL SCREWS EQUALLY SPACED. AN UNINSULATED SMOKE PIPE SHALL NOT PASS THROUGH AN ATTIC, ROOF SPACE, CLOSET, OR SIMILAR CONCEALED SPACE, OR THROUGH A FLOOR, CEILING, WALL OR PARTITION, OR ANY COMBUSTIBLE CONSTRUCTION.</b>
<b>DO NOT USE ANY MAKESHIFT MATERIALS DURING INSTALLATION.</b>

## 63.8

Your appliance may be connected to a factory built or masonry chimney. If you are using a factory built chimney, it must comply with ULCS629 (Canada) or UL103 HT (USA) standards. It must therefore be a 6" HT Type (2100°F) chimney. Use only specified components with no substitutions. It is extremely important that it be installed according to the manufacturer's specifications. The manufacturer's installation instructions and specified clearances should always be followed in accordance with local and national codes. In Canada the CSA B365 and the CSA C22.1 installation codes are to be followed. In the USA the ANSI NFPA 70 and ANSI NFPA 211 installation codes are to be followed.

Chimney and chimney connector must be in good condition and kept clean.

### 4.1.1 CHIMNEY CONNECTION

Your chimney connector and chimney must have the same diameter as the appliance's exhaust flue outlet. The appliance pipe must be made of aluminized or cold roll steel with a minimum 24 gauge thickness. It is strictly forbidden to use galvanized steel.

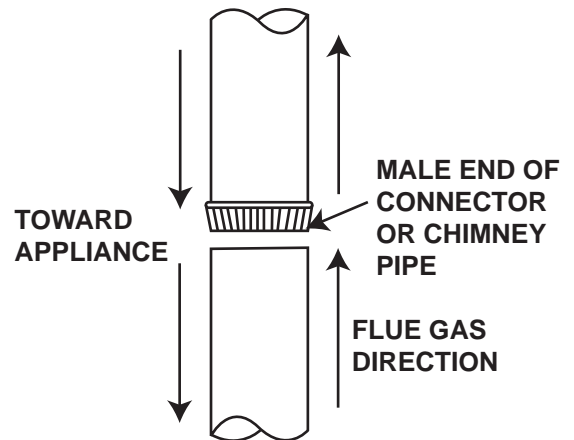
A 6" diameter single wall chimney connector, used to connect the appliance to the chimney, must be installed with the crimped end toward the appliance. This will ensure that the moisture which condenses from the burning wood will flow back into the fire chamber. Each joint in the chimney connector must be secured with at least three sheet metal screws.

For installation of your chimney connector, the following recommendations may be useful.

- The chimney connector must be short and straight. For optimum performance it is recommended that all horizontal runs have a minimum 1/4" rise per foot, with the upper end of the section toward the chimney. For safe and proper operation of the appliance, see "INSTALLATION" instructions.
- To insure a good draft, the total horizontal length of the connector should never exceed 8' to 10'. In the case of vertical installation, the total length of the connector can be longer and connected without problem to the chimney at the ceiling level.
- There should never be more than two 90° elbows in the entire connector and chimney system. Never start with a 90° elbow. Always go up vertically for at least 2 feet from the flue collar before using a 90° elbow.
- The connector must not pass through any combustible material, nor may it pass through a concealed space (such as an attic, roof space, or closet). If passing through a wall, ceiling, or into a masonry chimney, use either chimney components listed for that specific use, or means acceptable to local authorities having jurisdiction over the installation.

This appliance must be connected to:

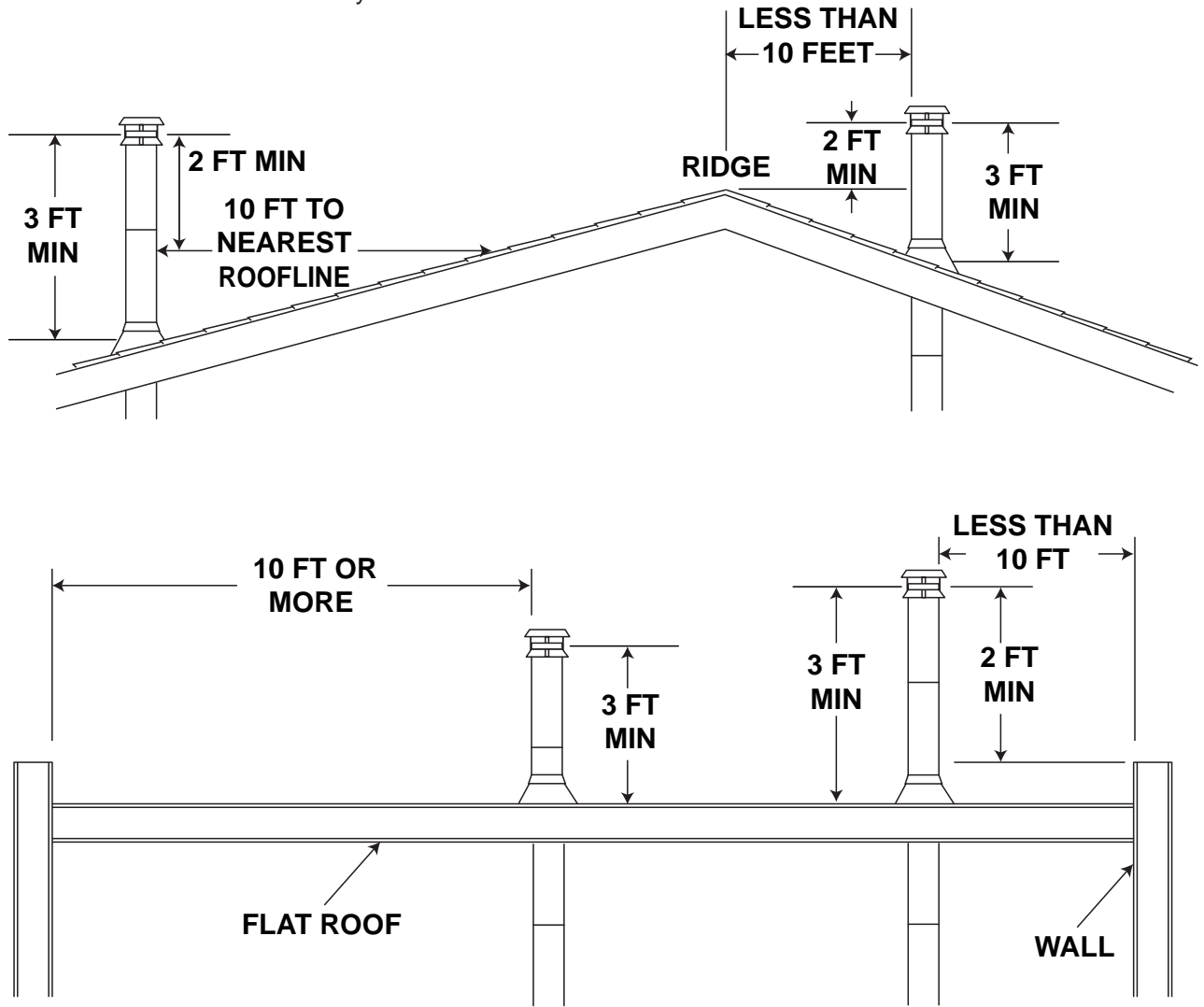
- A chimney complying with the requirements for Type HT chimneys in the Standard for Chimneys, Factory-Built, Residential Type and Building Heating Appliance, or
- A code-approved masonry chimney with a flue liner. Vent the stove into a masonry chimney or an approved, insulated solid-fuel stainless-steel chimney with as short and straight a length of 6" diameter chimney connector as possible. Connection to a masonry chimney must be by a metal or masonry thimble cemented in place.



58.1A

### 4.1.2 ADDING SECTIONS

Add chimney sections, according to the manufacturers installation instructions. The chimney must extend at least, 3 feet above its point of contact with the roof and at least 2 feet higher than any wall, roof, building or obstacle within 10 feet horizontally.



59.1A

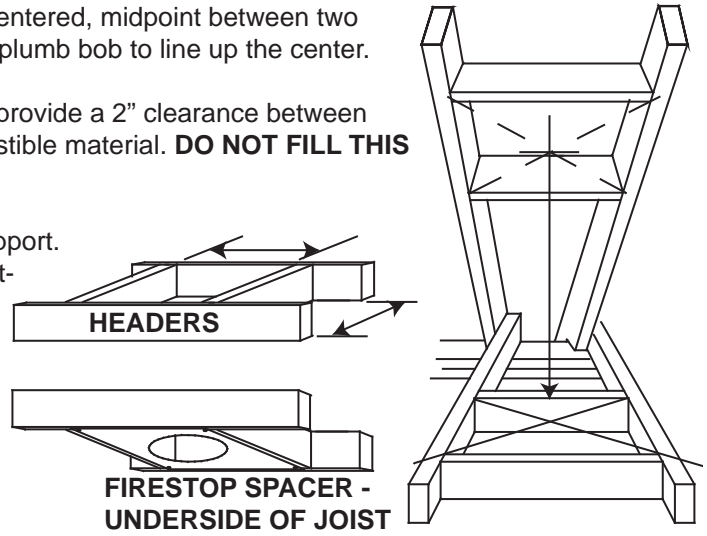
4.1.3 TYPICAL THROUGH THE CEILING

A. Move the stove into position with the flue centered, midpoint between two joists to prevent having to cut them. Use a plumb bob to line up the center.

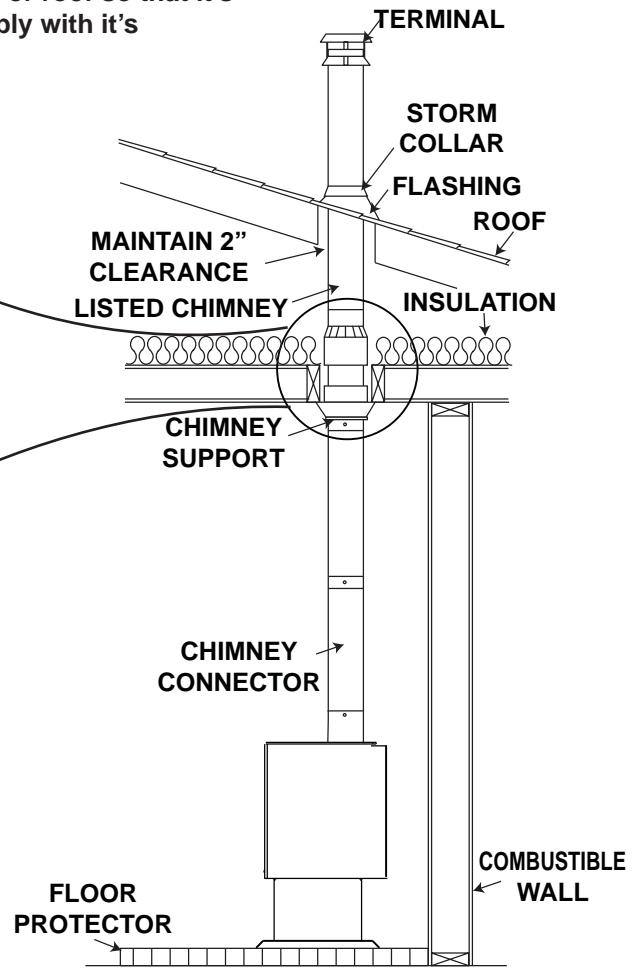
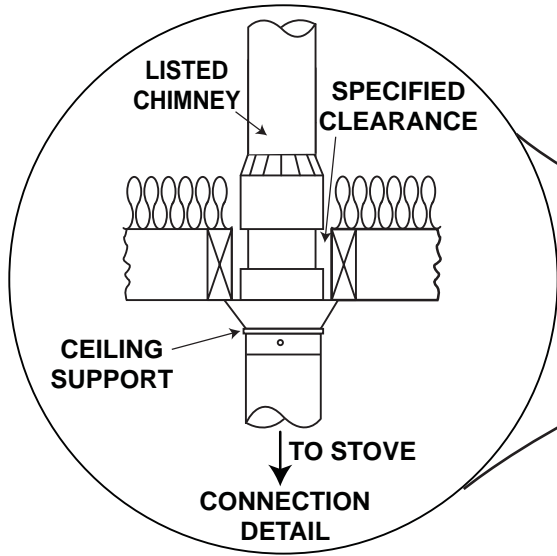
B. Cut and frame an opening in the ceiling to provide a 2" clearance between the outside of the chimney and any combustible material. **DO NOT FILL THIS SPACE WITH ANY TYPE OF MATERIAL.**

Nail headers between the joist for extra support. Firestop spacers must be placed on the bottom of each framed opening in any floor or ceiling that the chimney passes through. If your chimney system is enclosed within the attic area, a rafter radiation shield is required.

C. Hold a plumb bob from the underside of the roof to determine where the opening in the roof should be. Cut and frame the roof opening to maintain proper 2" clearances.



**NOTE:** The chimney must be supported at the ceiling or roof so that it's weight does not rest on the appliance and must comply with it's manufacturer's instructions.



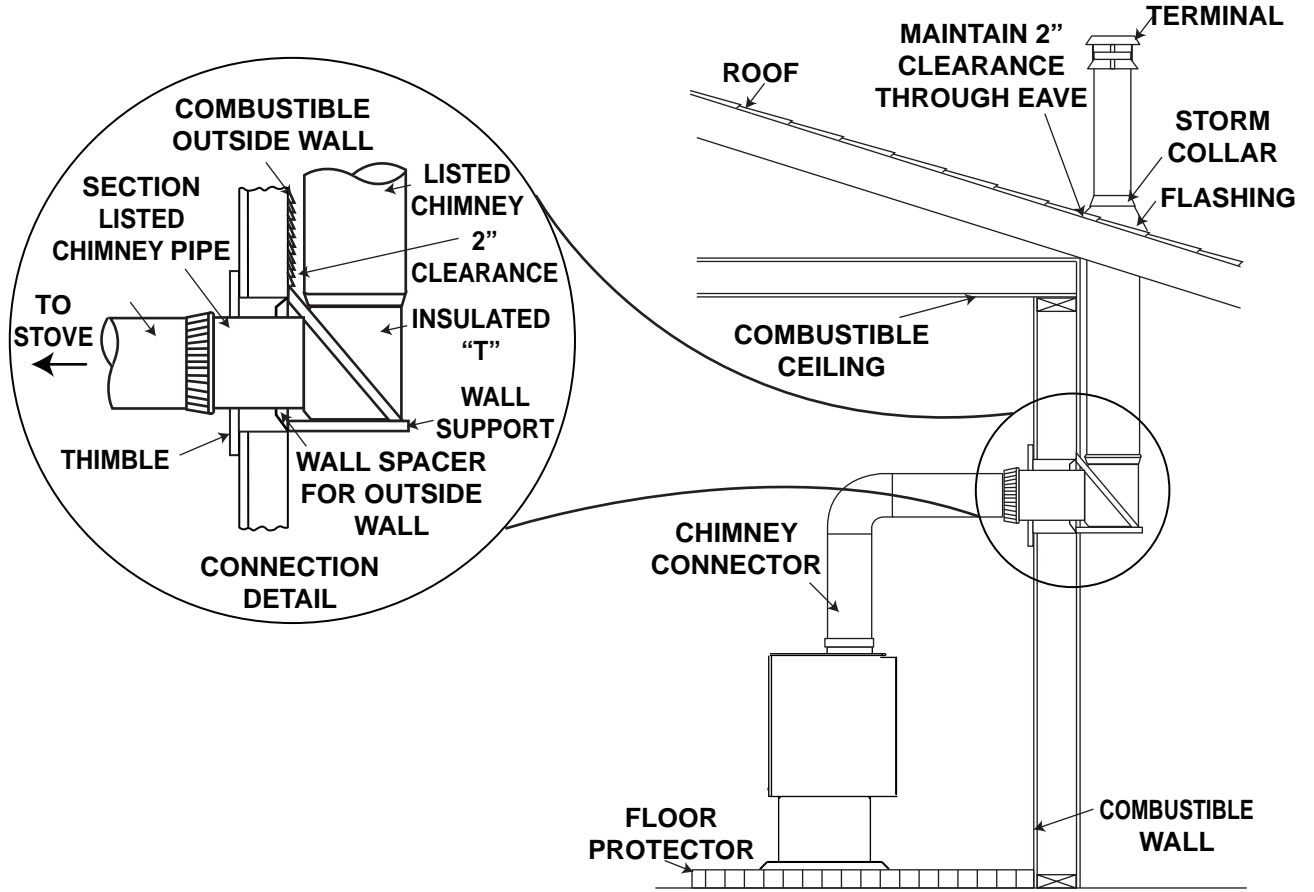
60.1A



### 4.1.4 TYPICAL THROUGH THE WALL

If possible, design the installation so that the connector does not pass through a combustible wall. If during your installation you must pass through a combustible wall, check with your building inspector before you begin. Also check with the chimney connector manufacturer for any specific requirements.

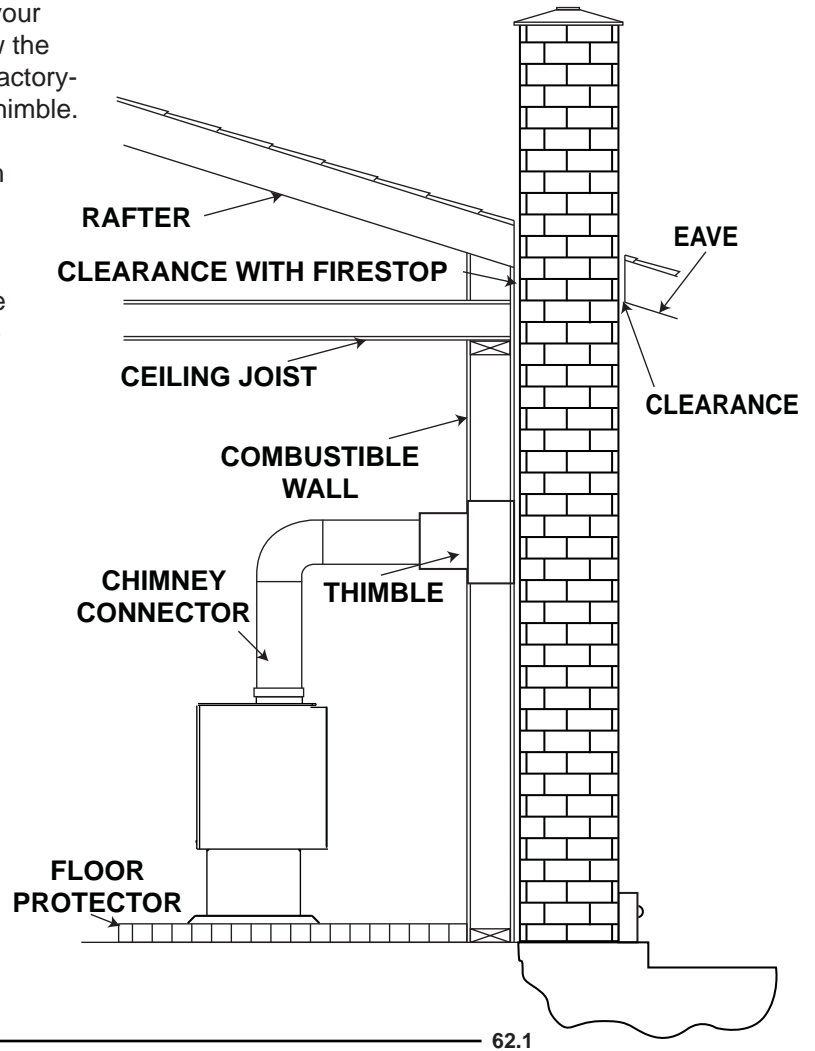
Consult with your dealer regarding special connection components available for use for wall pass-throughs. Use only parts that have been tested and listed for use in a wall pass-through.



61.1

## 4.1.5 TYPICAL EXISTING MASONRY

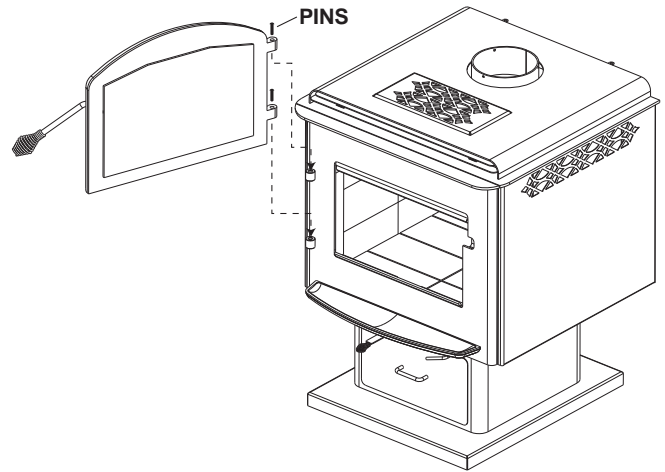
You can also install your appliance using your existing masonry chimney. To do so, follow the guidelines below. You may want to use a factory-built thimble, or construct your own brick thimble. If you are using a masonry chimney, it is important that it be built in compliance with the specifications of the Building Code in your region. It must normally be lined with fire clay bricks, metal or clay tiles sealed together with fire cement. (Round flues are the most efficient). The maximum flue size is 8" x 8" square or 6" round.



# 5.0 FINISHING

## 5.1 DOOR REMOVAL / INSTALLATION

- A. Pivot the door open and lift up to clear the bushings. Do not pivot the door any further than necessary.
- B. Carefully set the door aside and pull the pins out from the door bushings. Repeat in reverse order to install the door.



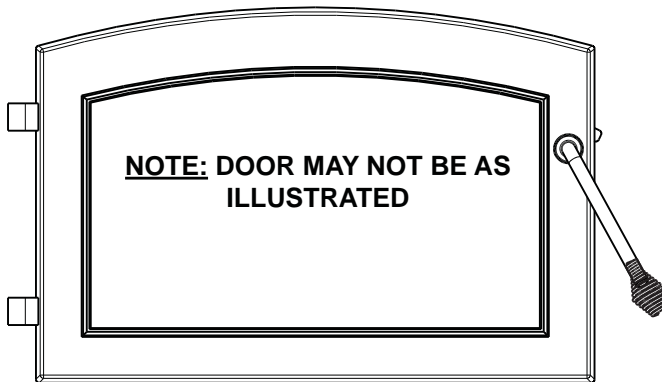
## 5.2 DOOR AND HANDLE INSTALLATION

**! WARNING**

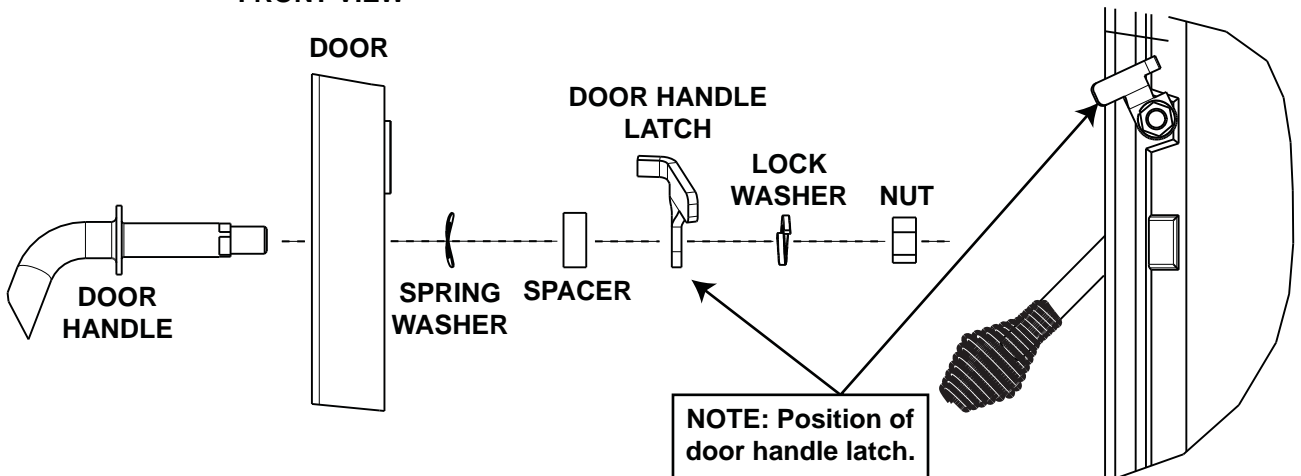
**BURNING YOUR APPLIANCE WITH THE DOORS OPEN OR AJAR CREATES A FIRE HAZARD THAT MAY RESULT IN A HOUSE AND OR CHIMNEY FIRE.**

**DO NOT STRIKE OR SLAM DOOR.**

**NEVER REMOVE THE DOOR WHEN THE APPLIANCE IS HOT.**



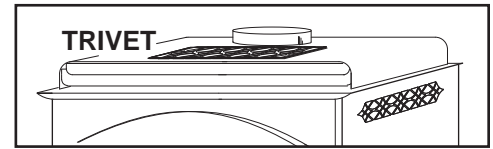
FRONT VIEW



**NOTE: Position of door handle latch.**

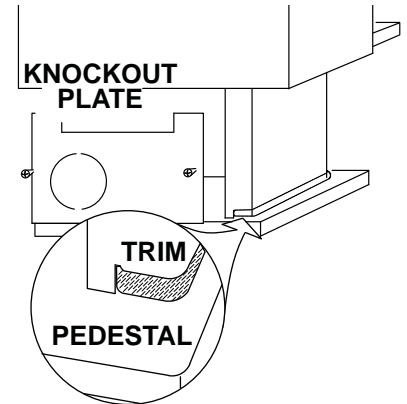
### 5.3 ORNAMENTAL TRIVET INSTALLATION

Insert the ornamental trivet into the space on the stove top.



### 5.4 PEDESTAL TRIM INSTALLATION (IF SUPPLIED)

Ensure that the pedestal surfaces are clean and dry; peel the protective backing from the trim adhesive. Insert one end of the brass trim into one of the slots located in the pedestal and pressing firmly, proceed around to the other slot. Cut trim to size. Attach the rear knockout plate (located inside the ash pan for shipping purposes).



### 5.5 BRICKS AND BAFFLE INSTALLATION

#### **! WARNING**

**OPERATION OF THE APPLIANCE WITHOUT THE BAFFLES CAN RESULT IN EXCESSIVE TEMPERATURES THAT COULD DAMAGE THE APPLIANCE, CHIMNEY AND THE SURROUNDING ENCLOSURE.**

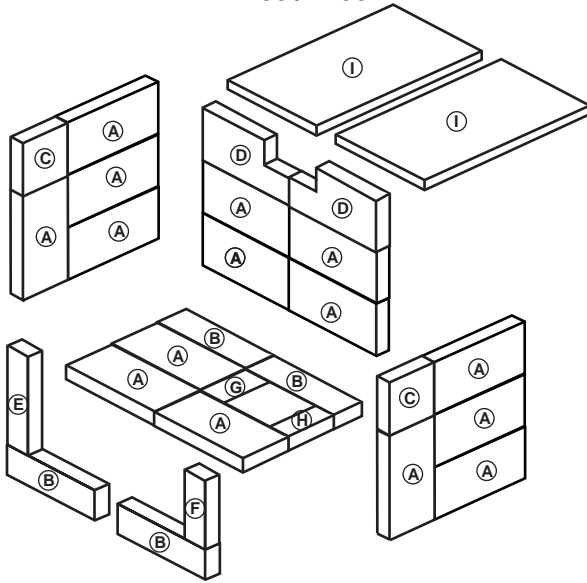
**With appliance and chimney installation completed, move the bricks into place for your appliance as illustrated.**

- A.** Install the bottom bricks, working from the back of the appliance forward.
- B.** Before installing the back bricks, loosen the screw holding the brick retainer and insure that it has been moved forward. Install the six bricks along the back wall by pivoting the bricks up under the brick retainer. Re-tighten the screw.
- C.** Referring to the appropriate illustration for your appliance, install the first two rows of side bricks as shown. Pivot the fibre baffle into place with the brick retainer down and toward the outside of the unit. Slide the top row of bricks into place to support the baffle. The baffle must sit flat on the outside row of bricks as well as the flange on the manifold shield. Push the baffle all the way to the rear of the firebox, leaving a minimum of 1" gap along the front. This will allow flue gases to escape the firebox.
- D.** Install the 4 bricks along the front opening.

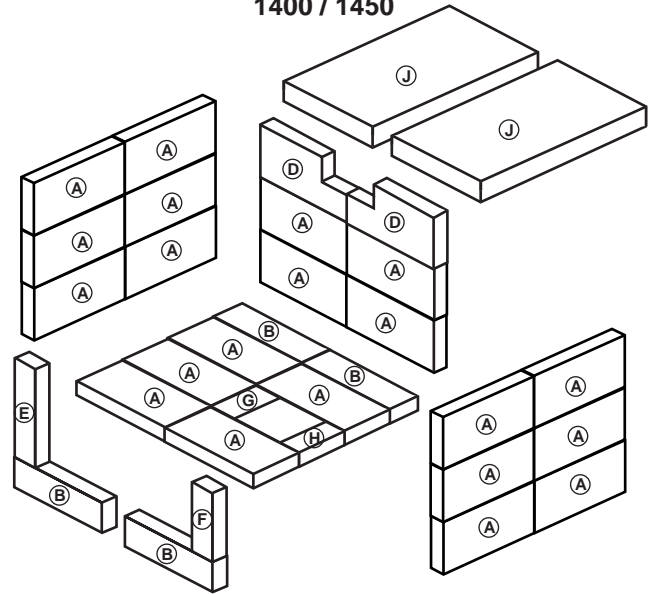
**NOTE: Do not operate if baffle and manifold shield are not in position.**

<b>A</b>	1 1/4" x 4 1/2" x 9"	<b>F</b>	1 1/4" x 2 1/2" x 6 1/8"
<b>B</b>	1 1/4" x 3" x 9"	<b>G</b>	1 1/4" x 2 1/2" x 4 1/2"
<b>C</b>	1 1/4" x 4 1/2" x 4 1/2"	<b>H</b>	1 1/4" x 1 1/2" x 4 1/2"
<b>D</b>	1 1/4" x 4 1/2" x 9" (Notched)	<b>I</b>	9" x 1" x 12" (Fibre Baffles)
<b>E</b>	1 1/4" x 2 1/4" x 9"	<b>J</b>	9" x 2" x 16 1/2" (Fibre Baffles)

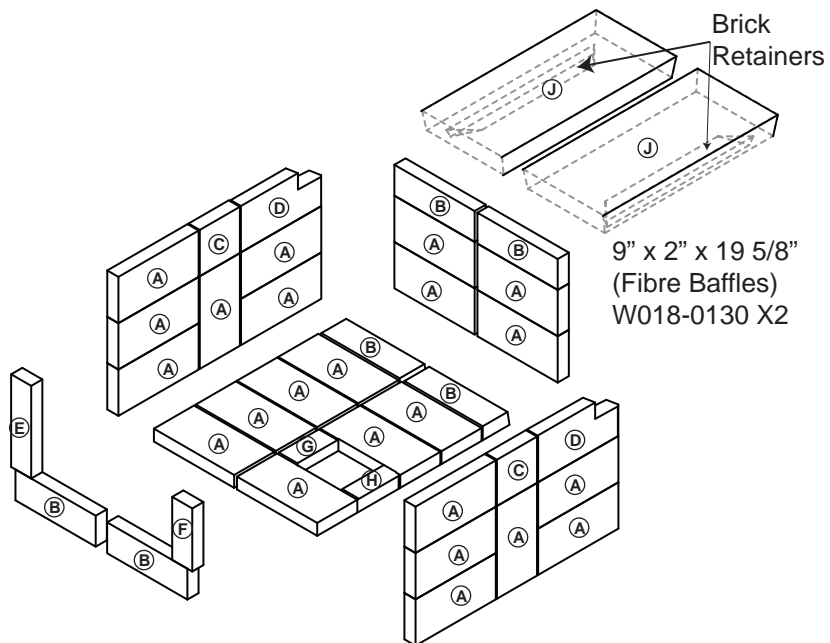
**1100 / 1150**



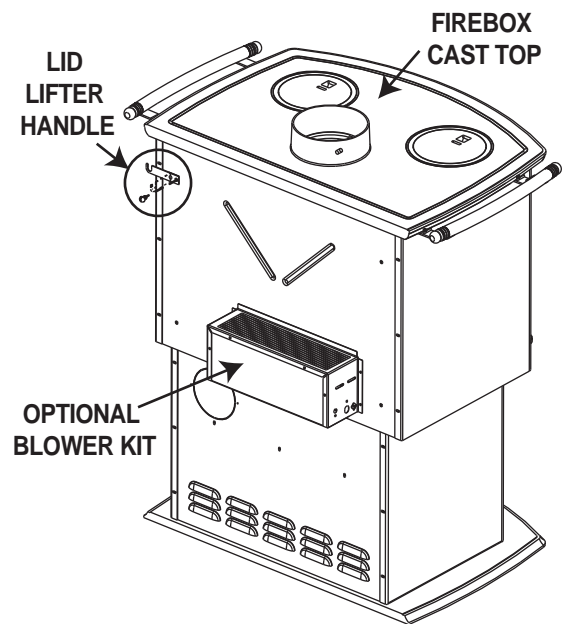
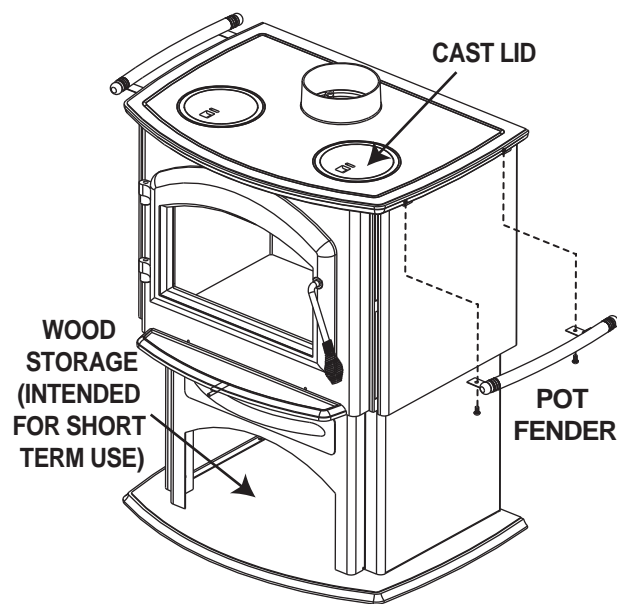
**1400 / 1450**



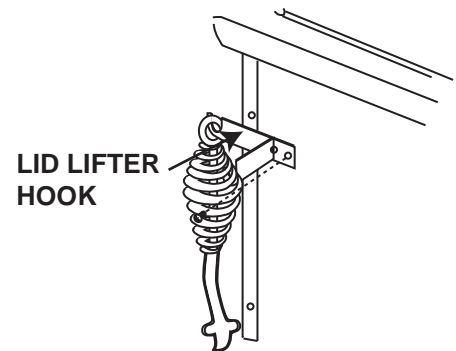
**1900**



## 5.6 1150 FEATURES

**TO HANG THE LIFTER:**

Remove the screw, as illustrated, from the preferred side of the stove rear. Secure the lid lifter hook, as illustrated, facing out to the side, or bend it towards the back.



## 6.0 OPTIONAL KIT INSTALLATIONS

### 6.1 OPTIONAL BLOWER KIT INSTALLATION

<b>! WARNING</b>
<b>RISK OF FIRE AND ELECTRICAL SHOCK.</b>
<b>TURN OFF THE GAS AND ELECTRICAL POWER BEFORE SERVICING THIS APPLIANCE.</b>
<b>USE ONLY WOLF STEEL APPROVED OPTIONAL ACCESSORIES AND REPLACEMENT PARTS WITH THIS APPLIANCE. USING NON-LISTED ACCESSORIES (BLOWERS, DOORS, LOUVRES, TRIMS, GAS COMPONENTS, VENTING COMPONENTS, ETC.) COULD RESULT IN A SAFETY HAZARD AND WILL VOID THE WARRANTY AND CERTIFICATION.</b>
<b>ENSURE THAT THE FAN'S POWER CORD IS NOT IN CONTACT WITH ANY SURFACE OF THE APPLIANCE TO PREVENT ELECTRICAL SHOCK OR FIRE DAMAGE. DO NOT RUN THE POWER CORD BENEATH THE APPLIANCE.</b>
<b>THE WIRE HARNESS PROVIDED IN THE BLOWER KIT IS A UNIVERSAL HARNESS. WHEN INSTALLED, ENSURE THAT ANY EXCESS WIRE IS CONTAINED, PREVENTING IT FROM MAKING CONTACT WITH MOVING OR HOT OBJECTS.</b>

51.5

Provisions have been made on the stove to install an optional blower kit (EP62-1) that comes complete with a variable speed switch to turn the blower on and off, as well as adjusting the blower speed. An optional thermostatic sensor control kit, EP36, to thermally activate the blower is also available.

Drywall dust will penetrate into the blower bearings, causing irreparable damage. Care must be taken to prevent drywall dust from coming into contact with the blower or its compartment. Any damage resulting from this condition is not covered by the warranty policy.

Use of the blower increases the output of heat.

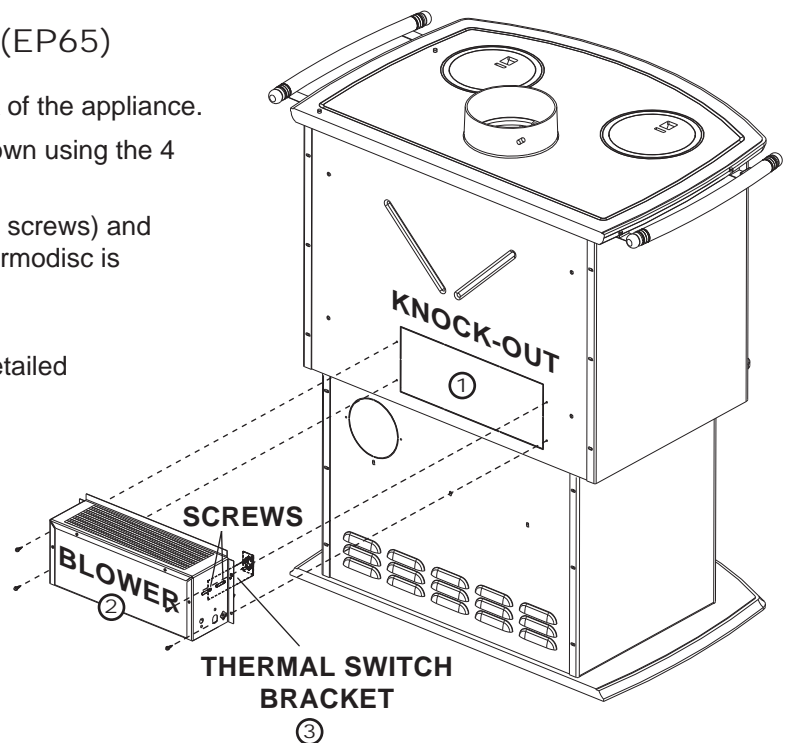
Attach the mounting bracket to the blower assembly. Then attach the mounting bracket to the back of your appliance, push on the variable speed knob and plug into any grounded electrical outlet.

Do not remove the knock out on the back of the appliance.

#### 6.1.1 1150 BLOWER INSTALLATION (EP65)

- A. Remove the knock-out from the back of the appliance.
- B. Install the blower and housing as shown using the 4 screws supplied.
- C. Loosen the thermal switch bracket (2 screws) and slide the bracket forward until the thermodisc is touching the rear firebox and secure.

See "BLOWER INSTALLATION" leaflet for detailed instructions.



## 7.0 OPERATION

<b>! WARNING</b>
<b>ALWAYS OPERATE THIS APPLIANCE WITH THE DOOR CLOSED AND LATCHED EXCEPT DURING START UP AND RE-FUELING. ALWAYS WEAR GLOVES TO PREVENT INJURY. DO NOT LEAVE THE FIRE UNATTENDED WHEN THE DOOR IS UNLATCHED AS UNSTABLE WOOD COULD FALL OUT OF THE FIRE CHAMBER CREATING A FIRE HAZARD TO YOUR HOME.</b>
<b>NEVER LEAVE CHILDREN UNATTENDED WHEN THERE IS A FIRE BURNING IN THE APPLIANCE.</b>
<b>NEVER USE GASOLINE, GASOLINE-TYPE LANTERN FUEL, KEROSENE, CHARCOAL LIGHTER FLUID, OR SIMILAR LIQUIDS TO START OR 'FRESHEN UP' A FIRE IN THIS APPLIANCE. KEEP ALL SUCH LIQUIDS WELL AWAY FROM THE APPLIANCE WHILE IT IS IN USE.</b>
<b>OBJECTS PLACED IN FRONT OF THE APPLIANCE SHOULD BE KEPT A MINIMUM OF 48" FROM THE FRONT FACE.</b>
<b>ANY MODIFICATION OF THE APPLIANCE THAT HAS NOT BEEN APPROVED IN WRITING BY THE TESTING AUTHORITY IS CONSIDERED BREACHING CSA B365 (CANADA) AND ANSI NFPA 211 (USA).</b>
<b>OPEN AIR CONTROL (AND DAMPER WHEN FITTED) BEFORE OPENING FIRING DOOR.</b>
<b>HOT WHILE IN OPERATION, KEEP CHILDREN, CLOTHING AND FURNITURE AWAY. CONTACT MAY CAUSE SKIN BURNS. WEAR GLOVES TO OPERATE YOUR APPLIANCE.</b>
<b>BURNING YOUR APPLIANCE WITH THE DOORS OPEN OR AJAR CREATES A FIRE HAZARD THAT MAY RESULT IN A HOUSE AND OR CHIMNEY FIRE.</b>

Your Napoleon EPA listed product is a Hi-Tech appliance, designed with the most advanced technology. The appliance is extremely airtight. It has an exclusive direct outside air supply (optional kit), a feature designed to prevent spillage, and to help keep your house free of carbon monoxide, in case of a down drafting chimney or an internal negative pressure.

The first fire(s) in your appliance will be difficult to get going and keep going with little amount of heat being generated. This is a result of the moisture being driven out of the fire brick. Allow 30 to 40 hours of hot fires (temperatures in excess of 500°F - 600°F) before your appliance will perform normally. During the break-in period (the first 2 or 3 fires) create only small, hot fires using kindling; this will allow the firebrick to cure. Do not be alarmed if small hairline cracks develop in the firebrick. This is a normal occurrence and does not pose a safety hazard. The paint may also smell a little for the first few fires as it cures and you may wish to open a door or window to alleviate the smell.

To start, a brisk fire is required. Place loosely crumpled paper on the floor of the appliance and cover with dry kindling. Open the air control fully by pulling the lever forward. Light the paper and leave the door slightly ajar (one inch) until all kindling is burning. To maintain a brisk fire, a hot coal bed must be established and maintained.

Slowly add larger wood (2x4 size pieces). Lay the pieces lengthwise from side to side in the hot coal bed with a shallow trench between, so that the primary air can flow directly into this trench and ignite the fuel above. When the fire seems to be at its peak, medium sized logs may be added. Once these logs have caught fire, carefully close the door. (Closing the door too quickly after refuelling will reduce the firebox temperature and result in an unsatisfactory burn.) Remember it is more efficient to burn medium sized wood, briskly, and refuel frequently than to load the appliance with large logs that result in a smouldering, inefficient fire and dirty glass. As soon as the door is closed, you will observe a change in the flame pattern. The flames will get smaller and lazier because less oxygen is getting into the combustion chamber. The flames, however, are more efficient. The flames will remain lazy but become larger again as soon as the firebricks have been heated thoroughly and the chimney becomes heated and provides a good draft. At this point, the roaring fire that you see when the door is opened is wastefully drawing heated room air up the chimney -- certainly not desirable. Always operate with the door fully closed once the medium sized logs have caught fire.



You can now add larger pieces of wood and operate the appliance normally. Once the appliance is entirely hot, it will burn very efficiently with little smoke from the chimney. There will be a bed of orange coals in the firebox and secondary flames flickering just below the top firebrick. You can safely fill the firebox with wood to the top of the door and will get best burns if you keep the chimney connector temperatures between 250 degrees Fahrenheit (120 degrees Celsius) and 450 degrees Fahrenheit (270 degrees Celsius). A surface thermometer will help regulate this.

Without a appliance thermometer, you are working blindly and have no idea of how the appliance is operating! An appliance thermometer offers a guide to performance and should be located 14" above the flue collar. Install the thermometer according to manufacturers instructions.

### Can't get the fire going?

Use more kindling and paper. Assuming the chimney and vent are sized correctly and there is sufficient combustion air, the lack of sufficiently dry quantities of small kindling is the problem. Thumb size is a good gauge for small kindling diameter.

### Can't get heat out of the appliance?

One of two things may have happened. The appliance door may have been closed prematurely and the appliance itself has not reached optimum temperature. Reopen the door and/or draft control to re-establish a brisk fire. The other problem may have been wet wood. The typical symptom is sizzling wood and moisture being driven from the wood.

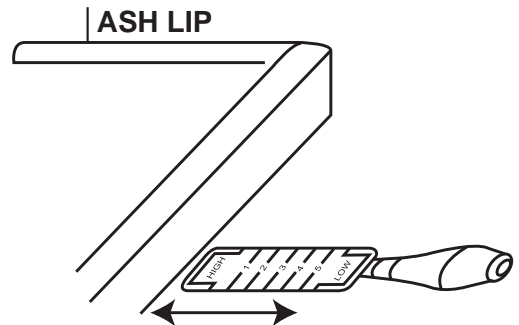
## 7.1 AIR CONTROL

Draft is the force which moves air from the firebox up through the chimney. The amount of draft in your chimney depends on the length and diameter of chimney, local geography, nearby obstructions and other factors including the amount of heat generated by the fire which can be measured by an appliance thermometer.

Adjusting the air control regulates the temperature. The draft can be adjusted from a low burn rate with the handle in fully, to a fast burn rate with the handle fully out.

Inadequate draft may cause back-puffing into the room through the appliance and chimney connector points and may cause plugging of the chimney. Too much draft may cause an excessive temperature in the appliance, glowing red appliance parts or chimney connectors or an uncontrollable burn which can lead to a chimney fire or permanent damage to the appliance.

Do not operate your appliance for longer than 30 minutes with the draft control on "HIGH" (fully open).

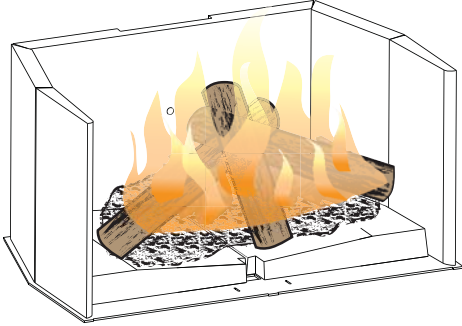


## 7.2 FIRE EXTINGUISHERS / SMOKE DETECTORS

All homes with a solid fuel burning appliance should have at least one fire extinguisher in a central location, known to all, and at least one smoke detector in the room containing the appliance. If it sounds an alarm, correct the cause but do not de-activate or relocate the smoke detector.

## 7.3 LIGHTING A FIRE

### 7.3.1 FLASH FIRE



A flash fire is a small fire burned quickly when you don't need much heat. After your kindling has "caught", load at least 3 pieces of wood, stacked loosely. Burn with the draft control fully open or closed only slightly.

---

 93.1

### 7.3.2 EXTENDED FIRE

Load your larger pieces of wood compactly, packed close enough to prevent the flames from penetrating it completely. After approximately 30 minutes, depending on the size of the load, close the draft control completely making sure that the fire is not extinguished.

#### **DO NOT OVERFIRE THE APPLIANCE!**

##### **Overfiring can occur by:**

- A. Burning large amounts of smaller wood pieces such as furniture scraps, skids or treated wood;
- B. Vigorously burning large loads of wood with the draft control on "HIGH" (fully open) for long periods of time (one or two hours).
- C. Operating the appliance with the ash dump door blocked open or a poor gasket seal on the main door.

---

 82.1

## 7.4 SMOKING

A properly installed appliance should not smoke. If yours does, check the following:

- Has the chimney had time to get hot?
- Is the smoke passage blocked anywhere in the appliance, chimney connector or chimney?
- Is the room too airtight and the air intake not connected to the outside? Try with a window partly open.
- Is the smoke flow impeded by too long a horizontal pipe or too many bends?
- Is it a weak draft perhaps caused by a leaky chimney, a cold outside chimney, too large a diameter of a chimney, too short a chimney, or a chimney too close to trees or a higher roof?

---

 83.1

## 8.0 MAINTENANCE

<b>! WARNING</b>
<b>TURN OFF THE POWER BEFORE SERVICING THE APPLIANCE.</b>
<b>APPLIANCE MAY BE HOT, DO NOT SERVICE UNTIL APPLIANCE HAS COOLED.</b>
<b>DO NOT USE ABRASIVE CLEANERS.</b>

Check your chimney and chimney connector for creosote and soot buildup weekly until a safe frequency for cleaning is established.

If accumulation is excessive, disconnect the appliance and clean both the chimney and the appliance. You may want to call a professional chimney sweep to clean them. Both have to be cleaned at least once a year or as often as necessary.

Remove fibre baffles and clean above them once a year. Replace any broken bricks.

### 8.1 ASH REMOVAL PROCEDURES

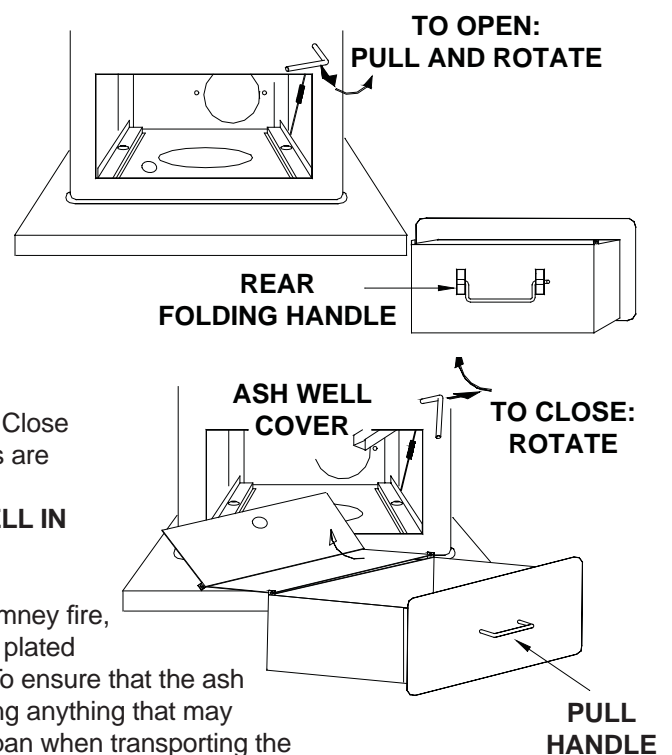
<b>! WARNING</b>
<b>IMPROPER DISPOSAL OF ASHES RESULT IN FIRES. DO NOT DISCARD ASHES IN CARDBOARD BOXES, DUMP IN BACK YARDS, OR STORE IN GARAGES.</b>
<b>IF USING A VACUUM TO CLEAN UP ASHES, BE SURE THE ASHES ARE ENTIRELY COOLED. USING A VACUUM TO CLEAN UP WARM ASHES COULD CAUSE A FIRE INSIDE THE VACUUM.</b>
<b>NEVER OPERATE YOUR APPLIANCE WITH THE ASH PLUG (IF APPLICABLE) REMOVED.</b>
<b>FAILURE TO ACHIEVE A GOOD SEAL BETWEEN THE ASH OPENING, ASH PLUG OR ASH WELL DOOR WILL RESULT IN AN OVER FIRE CONDITION THAT COULD CAUSE DAMAGE TO THE APPLIANCE.</b>

**NOTE:** 1150 ash pans are not equipped with a cover or rear folding handle. Ash pan not available for model 1450.

Allow the ashes in your firebox to accumulate to a depth of two or three inches; they tend to burn themselves up. When the fire has burned down and cooled, remove any excess ashes but leave an ash bed approximately 1 inch deep on the firebox bottom to help maintain a hot charcoal bed.

To use your ash pan, pull the ash dump handle forward, rotate approximately 90° counterclockwise to the open position. Rake the excess ashes into the ash pan. Close the ash well making sure that no coals or foreign objects are preventing the ash plug or well door from closing. **NEVER OPERATE YOUR STOVE WITH THE ASH WELL IN AN OPEN POSITION.**

This creates a fire hazard that may result in a house/chimney fire, internal damage to the stove or discoloration to the gold plated door (plated finishes are not covered by the warranty). To ensure that the ash well is fully closed, allow the door to snap shut, dislodging anything that may be stuck at the opening. Flip the cover up onto the ash pan when transporting the ashes to a closed container with a tight fitting lid for storage. Carry the ash pan using the front and back handles.



## 8.2 APPLIANCES WITHOUT ASH PAN (1450)

Since these models have no ash pan, shovel some ashes out through the door into a metal container with a tight fitting lid. Keep the closed container on a noncombustible floor or ground, well away from all combustible materials. The ashes should be retained in the closed container until all cinders have thoroughly cooled. Cold wood ashes can be used on the garden or in the compost.

## 8.3 CREOSOTE FORMATION AND REMOVAL

When wood is burned slowly, it produces tar and other organic vapours which combine with expelled moisture to form creosote. These vapours condense in the relatively cooler chimney flue of a slow burning fire and when ignited, make an extremely hot fire. So, the smoke pipe/chimney liner and chimney should be inspected monthly during the heating season to determine if a buildup has occurred. If creosote has accumulated it should be removed to reduce the risk of a chimney fire.

---

 84.1

## 8.4 RUNAWAY OR CHIMNEY FIRE

### **WARNING**

**A CHIMNEY FIRE CAN PERMANENTLY DAMAGE YOUR CHIMNEY SYSTEM. THIS DAMAGE CAN ONLY BE REPAIRED BY REPLACING THE DAMAGED COMPONENT PARTS. CHIMNEY FIRES ARE NOT COVERED BY THE LIFETIME LIMITED WARRANTY.**

Runaway fires can be the result of three major factors:

- Using incorrect fuel, or small fuel pieces which would normally be used as kindling.
- Leaving the door ajar too long and creating extreme temperatures as the air rushes in the open door.
- Burning your appliance with the ash plug not securely seated.

#### **SOLUTIONS:**

- Do not burn treated or processed wood, coal, charcoal, coloured paper or cardboard.
- Be careful not to over-fire the appliance by leaving the door open too long after initial start-up. A thermometer on the chimney connector and/or appliance top helps.
- Always operate the appliance with the ash plug properly installed.

#### **IN CASE OF A CHIMNEY FIRE:**

- Have a well understood plan for evacuation and a place outside for everyone to meet. Prepare to evacuate to ensure everyone's safety.
- Close air control on appliance.
- Call local fire department. Have a fire extinguisher handy. Contact local authorities for further information on how to handle a chimney fire.
- After the chimney fire is out, clean and inspect the chimney for stress and cracks prior to lighting another fire. Also check combustibles around the chimney and the roof.

---

 85.1

## 8.5 CHIMNEY CLEANING

Both the chimney and the appliance must be inspected and cleaned if necessary at least once a year. For serious wood burners, chimney cleaning must be done as needed to avoid chimney fires; the venting systems for controlled combustion appliances may need cleaning as often as once a month. These rates, however, depend on the burning habits of the individual operating the appliance. For example, it is possible to clog a solid fuel appliance chimney in a few days if slow, smoldering fires are burned and the chimney is cold.

**NOTE: Appliances burned consistently without hot fires may result in significant creosote accumulations in the chimney.**

Certain items and considerations are important in chimney cleaning:

- Proper tools should be used, including a brush specifically designed for chimney cleaning.
- The chimney connector and dampers as well as the chimney should be cleaned.
- The appliance's firebox and baffle system should be cleaned if needed.
- The chimney should be inspected and repairs made if needed, preferably by a qualified chimney sweep or mason.

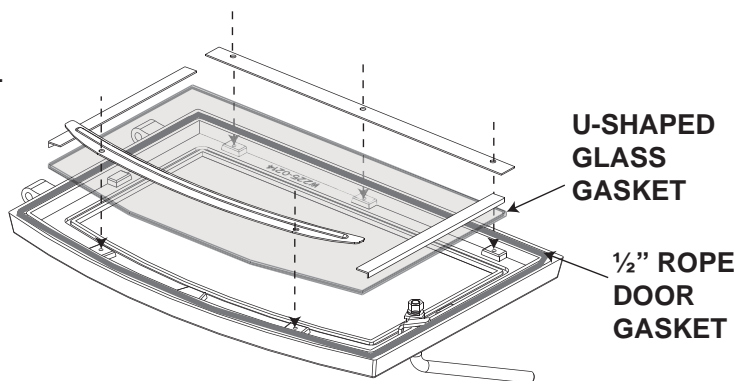
86.1

## 8.6 GLASS REPLACEMENT

<b>! WARNING</b>
<b>DO NOT USE SUBSTITUTE MATERIALS.</b>
<b>GLASS MAY BE HOT, DO NOT TOUCH GLASS UNTIL COOLED.</b>
<b>CARE MUST BE TAKEN WHEN REMOVING AND DISPOSING OF ANY BROKEN DOOR GLASS OR DAMAGED COMPONENTS. BE SURE TO VACUUM UP ANY BROKEN GLASS FROM INSIDE THE APPLIANCE BEFORE OPERATION.</b>
<b>DO NOT STRIKE, SLAM OR SCRATCH GLASS. DO NOT OPERATE APPLIANCE WITH GLASS REMOVED, CRACKED, BROKEN OR SCRATCHED.</b>

56.2

- When the appliance is cool, open the door and place the door frame down careful not to scratch the paint.
- Remove the screws and retainers. The side retainers are held into place with the top and bottom retainers. Remove all broken glass.
- Wrap the edges of the new glass with a U-shaped strip of fiberglass gasket, covering 1/4" on each side.
- Place the glass with the fiberglass gasket in position and resecure the 4 retainers. When finished, you should be able to move the glass slightly, horizontally and vertically.



**NOTE: For replacement glass see "REPLACEMENTS" section.**

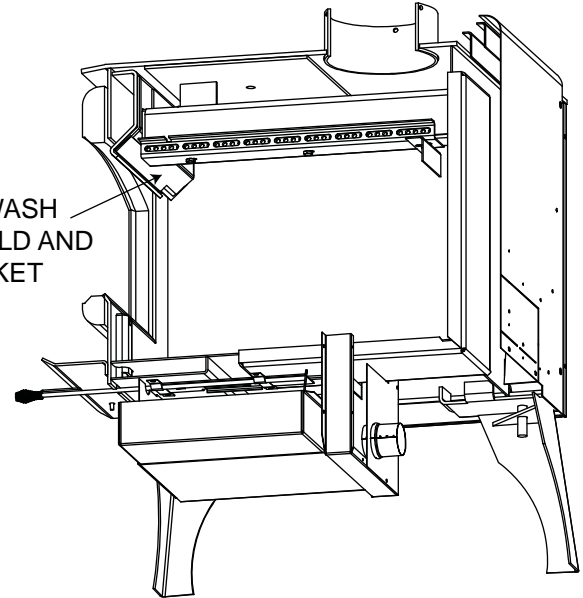
## 8.7 GASKET REPLACEMENT

At the end of each burning season inspect the shield below the secondary air manifold for warping or deterioration. Replace if necessary. Both are held to the manifold with machine screws. The shield and the 1/8" fibre cloth gasket are available from your Wolf Steel Ltd. dealer. At this time also check that the door gasket is not worn or loose. Replace with 1/2" high density fibreglass rope if necessary.

The airwash gasket and shield located inside the appliance above the door should also be inspected and replaced if deteriorated.

**NOTE:** Do not operate appliance if the manifold shield, airwash shield or fibre baffle is deteriorated or missing.

AIRWASH  
SHIELD AND  
GASKET



## 8.8 CARE OF GLASS

If the glass is not kept clean permanent discolouration and / or blemishes may result. Normally a hot fire will clean the glass. The most common reasons for dirty glass include: not using sufficient fuel to get the appliance thoroughly hot, using green or wet wood, closing the draft so far that there is insufficient air for complete combustion.

If it is necessary to clean the glass, buff lightly with a clean dry cloth and non-abrasive cleaner.



**DO NOT CLEAN GLASS WHEN HOT!** Clean the glass after the first 10 hours of operation with a recommended appliance glass cleaner. Thereafter clean as required.

The glass is very strong but do not let burning fuel rest or fall against it and always close the door gently. **NEVER FORCE IT SHUT!**

If the glass should ever crack or break while the fire is burning, do not open the door until the fire is out and do not operate the appliance again until the glass has been replaced, available from your Authorized dealer. **DO NOT SUBSTITUTE MATERIALS.**

5.3

## 8.9 CARE OF PLATED PARTS

If the appliance is equipped with plated parts, you must clean fingerprints or other marks from the plated surfaces before operating the appliance for the first time. Use a glass cleaner or vinegar and towel to clean. If not cleaned properly before operating for the first time, the marks can cause permanent blemishes on the plating. After the plating is cured, the fingerprints and oils will not affect the finish and little maintenance is required, just wipe clean as needed. Prolonged high temperature burning with the door ajar may cause discolouration on plated parts.

**NOTE:** The protective wrap on plated parts is best removed when the assembly is at room temperature but this can be improved if the assembly is warmed, using a hair dryer or similar heat source.

6.1

## 8.10 WOOD

<b>! WARNING</b>
<b>THIS APPLIANCE IS DESIGNED TO BURN NATURAL WOOD ONLY. DO NOT BURN TREATED WOOD, COAL, CHARCOAL, COLOURED PAPER, CARDBOARD, SOLVENTS OR GARBAGE. THIS APPLIANCE HAS NOT BEEN TESTED WITH AN UNVENTED GAS LOG SET. TO REDUCE RISK OF FIRE OR INJURY, DO NOT INSTALL AN UNVENTED GAS LOG SET INTO THE APPLIANCE.</b>
<b>HIGHER EFFICIENCIES AND LOWER EMISSIONS GENERALLY RESULT WHEN BURNING AIR DRIED SEASONED HARDWOODS, AS COMPARED TO SOFTWOODS OR TOO GREEN OR FRESHLY CUT HARDWOODS.</b>
<b>BURNING WET UNSEASONED WOOD CAN CAUSE EXCESSIVE CREOSOTE ACCUMULATION. WHEN IGNITED IT CAN CAUSE A CHIMNEY FIRE THAT MAY RESULT IN A SERIOUS HOUSE FIRE.</b>
<b>DO NOT STORE FUEL WITHIN THE CLEARANCE TO COMBUSTIBLES, OR IN THE SPACE REQUIRED FOR RE-FUELING AND ASH REMOVAL.</b>

When loading the appliance, ensure that the upper fibre baffles are not forced out of position. For maximum efficiency, when the appliance is thoroughly hot, load it fully to the top of the door opening and burn at a medium low setting. The whiteness of the bricks and the cleanliness of the glass are good indicators of your operating efficiency. Not enough heat is produced when only a few pieces of wood are burned or the wood may not burn completely.

Fuel for the appliance must not be stored closer than the required clearances to combustibles (heat sensitive material).

**NEVER STORE WOOD IN THE ASH PAN COMPARTMENT (if applicable).**

**NOTE:** When loading the appliance, ensure to keep fuel back from the glass. If coals are to accumulate on the front lip, there is a chance they will fall out when the door is opened.

Burn only dry, clean unpainted wood that has been seasoned. It produces more heat and less soot or creosote. Freshly cut wood contains about 50% moisture while after proper seasoning only about 20% of the water remains. As wood is burned, this water boils off consuming energy that should be used in heating. The wetter the wood, the less heat is given off and the more creosote is produced. Dry firewood has cracks in the end of the grain.

Both hardwood and softwood burn equally well in this appliance but hardwood is denser, will weigh more per cord and burn a little slower and longer.

Firewood should be split, stacked in a manner that air can get to all parts of it and covered in early spring to be ready for burning that fall. Dry firewood has cracks in the end grain.

Cut the wood so that it will fit horizontally, front to back, making for easier loading and less of a likelihood that the wood will roll onto the glass.

Manufactured firelogs made by compressing 100% natural wood fibre can be safely used as fuel. Do not use manufactured firelogs if they contain additives such as paraffin, wax, binders etc. Never burn more than two manufactured firelogs at a time.

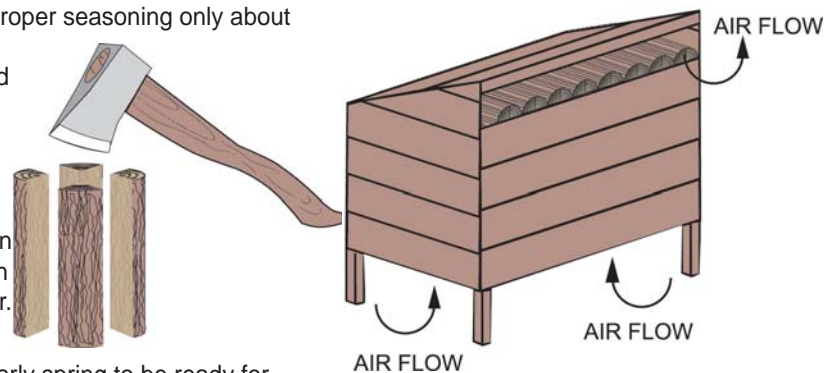
**DO'S**

- Build a hot fire.
- Use only dry wood.
- Several pieces of medium sized wood are better than a few big pieces.
- Clean chimney regularly.
- Refuel frequently using medium sized wood.
- "Fine Tune" the air settings for optimum performance.

**DONT'S**

- Take ash out immediately. Let it accumulate to a depth of at least one inch. A good ash layer provides for a longer lasting and better burning fire.
- Burn wet wood.
- Close the door too soon or damper down too quickly.
- Burn one large log rather than two or three smaller, more reasonably sized logs.
- Burn at continually "low setting", if glass door is constantly blackened. This means the firebox temperature is too low.

87.1B



## 9.0 REPLACEMENTS

Contact your dealer or the factory for questions concerning prices and policies on replacement parts. Normally all parts can be ordered through your Authorized dealer / distributor.

**FOR WARRANTY REPLACEMENT PARTS, A PHOTOCOPY OF THE ORIGINAL INVOICE WILL BE REQUIRED TO HONOUR THE CLAIM.**

When ordering replacement parts always give the following information:

- Model & Serial Number of appliance
- Installation date of appliance
- Part number
- Description of part
- Finish

**\* IDENTIFIES ITEMS WHICH ARE NOT ILLUSTRATED. FOR FURTHER INFORMATION, CONTACT YOUR AUTHORIZED DEALER.**

### WARNING

**FAILURE TO POSITION THE PARTS IN ACCORDANCE WITH THIS MANUAL OR FAILURE TO USE ONLY PARTS SPECIFICALLY APPROVED WITH THIS APPLIANCE MAY RESULT IN PROPERTY DAMAGE OR PERSONAL INJURY.**

41.1

COMPONENTS						
REF #	1100	1150	1400	1450	1900	DESCRIPTION
A	W090-0001	W090-0001	W090-0001	W090-0001	W090-0001	BRICK
B	W090-0002	W090-0002	W090-0002	W090-0002	W090-0002	BRICK
C	W090-0003	W090-0003	N/A	N/A	W090-0003	BRICK
D	W090-0004	W090-0004	W090-0004	W090-0004	W090-0004	BRICK, LEFT
D	W090-0005	W090-0005	W090-0005	W090-0005	W090-0005	BRICK, RIGHT
E	W090-0018	W090-0018	W090-0018	W090-0018	W090-0018	BRICK
F	W090-0019	W090-0019	W090-0019	W090-0019	W090-0019	BRICK
G	W090.0016	W090.0016	W090.0016	N/A	W090.0016	BRICK
H	W090-0017	W090-0017	W090-0017	N/A	W090-0017	BRICK
I	W018-0077	W018-0077	N/A	N/A	N/A	BAFFLE, FIBRE
J	N/A	N/A	W018-0078	W018-0078	W018-0130	BAFFLE, FIBRE
12	W135-0238	W135-0238	W135-0238	N/A	W135-0238	CAST ASH LIP
13	W010-0347	W010-0347	W010-0347	W010-0347	W010-0347	AIRWASH GASKET & SHIELD
14*	W570-0007	W570-0007	W570-0007	W570-0007	W570-0007	SCREWS FOR MANIFOLD SHIELD
15	GZ552	GZ552	GZ552	GZ552	GZ552	REPLACEMENT FAN
16	W325-0045	W325-0033	W325-0045	W325-0045	W325-0045	SPRING HANDLE LARGE
17	W325-0044	W325-0032	W325-0044	W325-0044	W325-0044	SPRING HANDLE SMALL
18*	W018-0077 (#10)	W018-0077 (#10)	W018-0078 (#11)	W018-0078 (#11)	W018-0092 (#12) W018-0093 (#13)	FIBRE BAFFLE
19*	EP-11MS	N/A	EP-14MS	EP-14MS	EP-19MS	MANIFOLD SHIELD
20	KB-35	N/A	KB-35	KB-35	KB-35	VARIABLE SPEED CONTROL C/W KNOB
21*	W580-0001	W580-0001	W580-0002	W580-0005	W580-0003	COMPLETE BRICK SET
22*	CL28	N/A	CL28	N/A	CL28	BLACK CANOPY LOUVRES
23*	CL28G	N/A	CL28G	N/A	CL28G	GOLD PLATED CANOPY LOUVRES
24	W010-0349	W715-0641	W010-0349	N/A	W010-0349	PEDESTAL TRIM
25	W010-0243	N/A	W010-0243	N/A	W010-0243	ASH PAN (NO FRONT PLATE)
26	W325-0011	N/A	W325-0011	N/A	W325-0011	ASH PAN HANDLE
27	W200-0077	N/A	GS-330K	N/A	GS-330K	BLACK TRIVET
28	N/A	W710-0030	N/A	W710-0025	N/A	ASH TRAY
29	N/A	W325-0041	N/A	N/A	N/A	ASH DRAWER HANDLE
30	N/A	W525-0024	N/A	N/A	N/A	POT FENDER
31*	N/A	W290-0101	N/A	N/A	N/A	LID GASKET
32	N/A	W135-0234**	N/A	N/A	N/A	CAST - FIREBOX TOP
33	N/A	W135-0235**	N/A	N/A	N/A	CAST - LID
34	N/A	W135-0236**	N/A	N/A	N/A	CAST - FLUE COLLAR
35	N/A	W135-0237**	N/A	N/A	N/A	CAST - PEDESTAL BASE
36	N/A	W135-0238**	N/A	N/A	N/A	CAST - ASH TRAY
37*	N/A	W325-0040	N/A	N/A	N/A	HANDLE - LID LIFTER



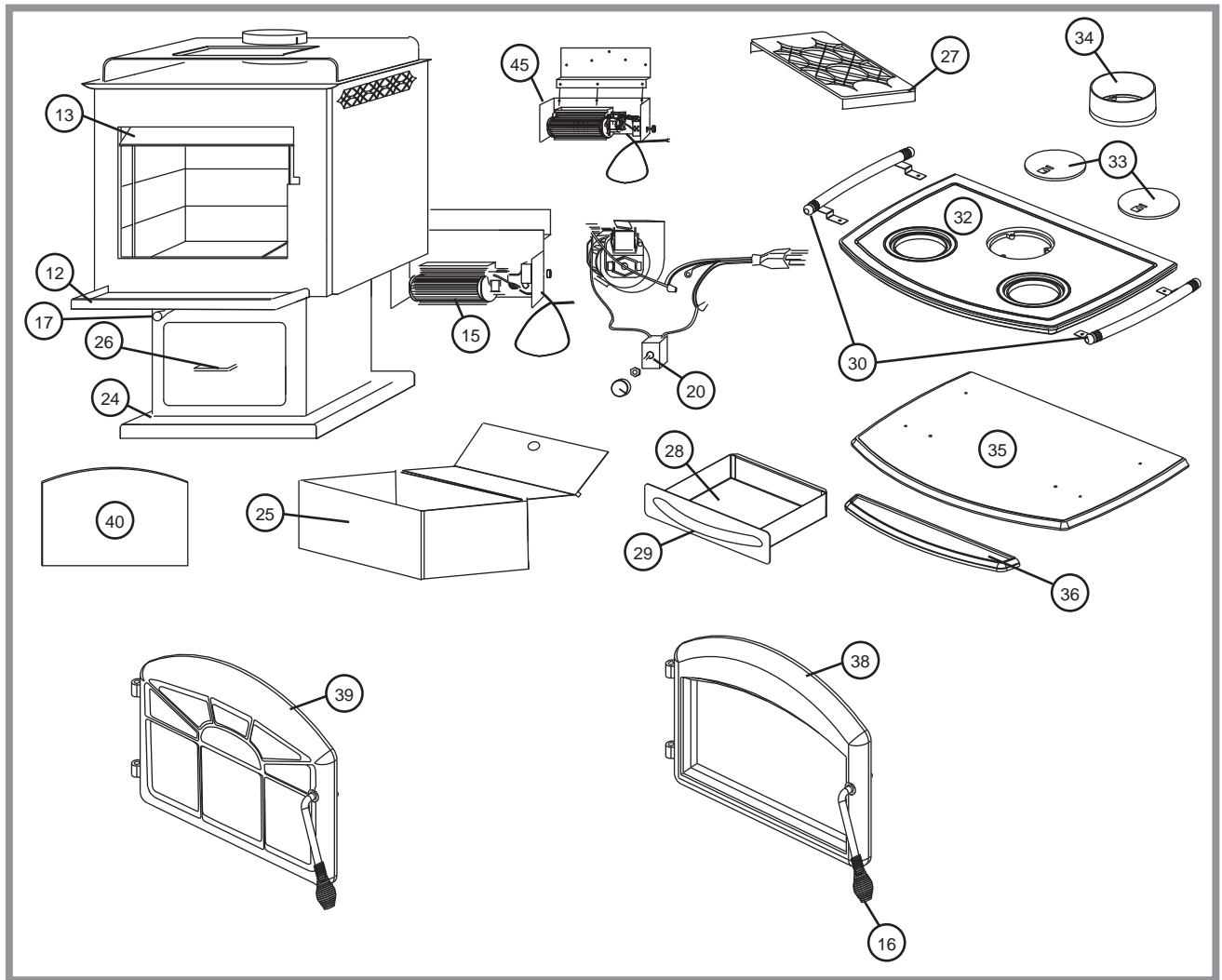
\*\* For available porcelain colours, add these letters to the base part number.

**COLOUR**                      **FINISH**

Green	- F
Brown	- N
Black	- K
Almond	- S
Wrought Iron	- WI

## ACCESSORIES

REF #	1100	1150	1400	1450	1900	DESCRIPTION
38	H222-G	H222-G	H222-G	N/A	H222-G	DOOR - GOLD PLATED
38	H222	H222	H222	w225-0025	H222	DOOR - BLACK
38	H222-SS	H222-SS	H222-SS	N/A	H222-SS	DOOR - BRUSHED STAINLESS STEEL (STANDARD ARCH)
39	H222-W	H222-W	H222-W	N/A	H222-W	DOOR - BLACK (EARLY AMERICAN)
39	H222-GW	H222-GW	H222-GW	N/A	H222-GW	DOOR - GOLD (EARLY AMERICAN)
39	H222-SSW	H222-SSW	H222-SSW	N/A	H222-SSW	DOOR - BRUSHED STAINLESS STEEL (EARLY AMERICAN)
40	W010-1071	W010-1071	W010-1071	W010-1071	W010-1071	DOOR GLASS WITH GASKET
41*	W020-0043	W020-0043	W020-0043	W020-0043	W020-0043	DOOR GASKET
42*	W020-0050	W020-0050	W020-0050	W020-0050	W020-0050	GLASS GASKET
43*	GS200-G	N/A	GS-530G	N/A	GS-530G	ORNAMENTAL TRIVET
44*	N/A	N/A	GS-330G	N/A	GS-330G	GOLD PLATED TRIVET
45	EP62-1	EP65	EP62-1	EP62-1	EP62-1	BLOWER
46*	W500-0064	N/A	W500-0064	W500-0064	W500-0064	FRESH AIR COVER PLATE
47*	111KT	111KT	111KT	111KT	111KT	OUTSIDE AIR KIT
48*	W470-0002	N/A	W470-0002	N/A	W470-0002	ENAMEL TOUCH UP AND BRUSH (SPECIFY COLOUR)



## 10.0 TROUBLESHOOTING

<b>! WARNING</b>	
<b>TURN OFF THE ELECTRICAL POWER BEFORE SERVICING THE APPLIANCE.</b>	
<b>APPLIANCE MAY BE HOT, DO NOT SERVICE UNTIL APPLIANCE HAS COOLED.</b>	
<b>DO NOT USE ABRASIVE CLEANERS.</b>	
<b>WHEN CHECKING CONNECTIONS, INSTALLING JUMPER WIRES (FOR TEST PURPOSES ONLY) OR REPLACING COMPONENTS, UNPLUG HEATER FROM THE RECEPTACLE TO PREVENT ELECTRICAL SHOCK OR DAMAGE TO THE COMPONENT.</b>	

PROBLEM	SOLUTION
Can't get the fire started.	<ul style="list-style-type: none"> <li>- Not enough kindling / paper? Add more.</li> <li>- Not enough air? Ensure air control is fully open.</li> <li>- Cold air blockage? Burn a piece of paper to establish a draft.</li> <li>- Use dry seasoned wood.</li> <li>- Flue blockage? Inspect chimney.</li> </ul>
Smokes when door is open.	<ul style="list-style-type: none"> <li>- Cold air blockage? Burn a piece of paper to establish a draft.</li> <li>- Insufficient draft? Add more pipe.</li> <li>- Let air stabilize before opening door.</li> <li>- Ensure baffles are positioned correctly.</li> <li>- Negative pressure? Open a window near the appliance.</li> </ul>
Appliance emits odour.	<ul style="list-style-type: none"> <li>- Paint curing. See "GENERAL INSTRUCTIONS" section.</li> </ul>
Stove doesn't burnt hot enough.	<ul style="list-style-type: none"> <li>- Wood is too wet.</li> <li>- Insufficient draft? Add more pipe.</li> <li>- Not enough air? Ensure air control is fully open.</li> </ul>
Wood burns too fast.	<ul style="list-style-type: none"> <li>- Air control may need to be adjusted down.</li> <li>- Check to see ash plug is properly seated (if equipped).</li> <li>- Check door gasket for adequate seal.</li> <li>- Wood may be extremely dry.</li> </ul>
Dirty glass.	<ul style="list-style-type: none"> <li>- Air control may be closed too far.</li> <li>- Burn hotter, smaller fires.</li> <li>- Use well seasoned wood.</li> </ul>
Blower does not run.	<ul style="list-style-type: none"> <li>- Appliance may not be up to temperature.</li> <li>- Ensure blower has power.</li> </ul>

42.14A

## 11.0 WARRANTY

NAPOLEON® products are manufactured under the strict Standard of the world recognized ISO 9001 : 2008 Quality Assurance Certificate.

NAPOLEON® products are designed with superior components and materials, assembled by trained craftsmen who take great pride in their work. The complete appliance is again thoroughly inspected by a qualified technician before packaging to ensure that you, the customer, receives the quality product that you expect from NAPOLEON®.

### NAPOLEON® WOOD APPLIANCE PRESIDENT'S LIFETIME LIMITED WARRANTY

The following materials and workmanship in your new NAPOLEON® wood appliance are warranted against defects for as long as you own the appliance. This covers: combustion chamber, heat exchanger, ceramic glass (thermal breakage only), gold plated parts against tarnishing, porcelainized enameled components, aluminum extrusion trims, vortex baffles, ash drawer and iron castings.

Electrical (110V) components and wearable parts such as blowers, thermal switch, switches, wiring, firebrick, stainless steel baffle retainer, secondary air tubes, and gasketing are covered and NAPOLEON® will provide replacement parts free of charge during the first year of the limited warranty. \*

Labour related to warranty repair is covered free of charge during the first year. Repair work, however, requires the prior approval of an authorized company official. Labour costs to the account of NAPOLEON® are based on a predetermined rate schedule and any repair work must be done through an authorized NAPOLEON® dealer.

Parts such as firebricks and baffles should routinely be removed by the operator as part of the regular service and therefore, any warranty replacement of these parts does not qualify for any labour allowances.

\* Construction of models vary. Warranty applies only to components included with your specific appliance.

### CONDITIONS AND LIMITATIONS

NAPOLEON® warrants its products against manufacturing defects to the original purchaser only. Registering your warranty is not necessary. Simply provide your proof of purchase along with the model and serial number to make a warranty claim. Provided that the purchase was made through an authorized NAPOLEON® dealer your appliance is subject to the following conditions and limitations:

Warranty coverage begins on the date of original installation.

This factory warranty is non-transferable and may not be extended whatsoever by any of our representatives.

The wood appliance must be installed by an authorized service technician or contractor. Installation must be done in accordance with the installation instructions included with the product and all local and national building and fire codes.

This limited warranty does not cover damages caused by misuse, lack of maintenance, accident, alterations, abuse or neglect and parts installed from other manufacturers will nullify this warranty.

This limited warranty further does not cover any scratches, dents, corrosion or discoloring caused by excessive heat, abrasive and chemical cleaners nor chipping on porcelain enamel parts, nor any venting components used in the installation of the appliance.

This warranty extends to the repair or replacement of warranted parts which are defective in material or workmanship provided that the product has been operated in accordance with the operation instructions and under normal conditions.

After the first year, with respect to the President's Lifetime Limited Warranty, NAPOLEON® may, at its discretion, fully discharge all obligations with respect to this warranty by refunding to the original warranted purchaser the wholesale price of any warranted but defective part(s).

After the first year, NAPOLEON® will not be responsible for installation, labour or any other costs or expenses related to the reinstallation of a warranted part, and such expenses are not covered by this warranty.

Notwithstanding any provisions contained in the President's Lifetime Limited Warranty, NAPOLEON's responsibility under this warranty is defined as above and it shall not in any event extend to any incidental, consequential or indirect damages.

This warranty defines the obligations and liability of NAPOLEON® with respect to the NAPOLEON® wood appliance and any other warranties expressed or implied with respect to this product, its components or accessories are excluded.

NAPOLEON® neither assumes, nor authorizes any third party to assume, on its behalf, any other liabilities with respect to the sale of this product.

NAPOLEON® will not be responsible for: over-firing, downdrafts, spillage caused by environmental conditions such as rooftops, buildings, nearby trees, hills, mountains, inadequate vents or ventilation, excessive venting configurations, insufficient makeup air, or negative air pressures which may or may not be caused by mechanical systems such as exhaust fans, furnaces, clothes dryers, etc.

Any damages to appliance, combustion chamber, heat exchanger, plated trim or other component due to water, weather damage, long periods of dampness, condensation, damaging chemicals or cleaners will not be the responsibility of NAPOLEON®.

NAPOLEON® reserves the right to have its representative inspect any product or part thereof prior to honouring any warranty claim.

All parts replaced under the President's Limited Lifetime Warranty Policy are subject to a single claim.

During the first 10 years NAPOLEON® will replace or repair the defective parts covered by the lifetime warranty at our discretion free of charge. From 10 years to life, NAPOLEON® will provide replacement parts at 50% of the current retail price.

All parts replaced under the warranty will be covered for a period of 90 days from the date of their installation.

The manufacturer may require that defective parts or products be returned or that digital pictures be provided to support the claim. Returned products are to be shipped prepaid to the manufacturer for investigation. If a product is found to be defective, the manufacturer will repair or replace such defect.

Before shipping your appliance or defective components, your dealer must obtain an authorization number. Any merchandise shipped without authorization will be refused and returned to sender.

Shipping costs are not covered under this warranty.

Additional service fees may apply if you are seeking warranty service from a dealer.

Warranty labour allowance is only for the replacement of the warranted part. Travel, diagnostic tests, shipping and other related charges are not covered by this warranty.

ALL SPECIFICATIONS AND DESIGNS ARE SUBJECT TO CHANGE WITHOUT PRIOR NOTICE DUE TO ON-GOING PRODUCT IMPROVEMENTS. NAPOLEON® IS A REGISTERED TRADEMARK OF WOLF STEEL LTD.

2.2B

# 12.0 SERVICE HISTORY

Date	Dealer Name	Service Technician Name	Service Performed	Special Concerns

**Appliance Service History**  
This heater must be serviced annually depending on usage.













44.1

# 12.0

# HISTORIQUE D'ENTRETIEN

## **Historique d'entretien Wolf Steel** Cet appareil doit être entretenu annuellement selon son usage.

Date	Détailant	Nom du technicien	Travail effectué	Problèmes particuliers

43,1

Les produits NAPOLÉON® sont fabriqués conformément aux normes strictes du Certificat d'Assurance de Qualité ISO

9001 : 2008 mondialement reconnu.

Les produits NAPOLÉON® sont conçus avec des composants et des matériaux de qualité supérieure, assemblés par des artisans qualifiés qui sont fiers de leur travail. Une fois assemblée, chaque appareil est soigneusement inspecté par un technicien qualifié avant d'être emballé pour garantir que vous, le client, recevez le produit de qualité dont vous vous attendez de NAPOLÉON®.

**GARANTIE À VIE LIMITÉE DU PRÉSIDENT DES APPAREILS À BOIS NAPOLÉON®**

Les matériaux suivants et la fabrication de votre nouveau poêle à bois Napoléon® sont garantis contre les défauts tant que vous en êtes le propriétaire. Ceci couvre : la chambre de combustion, l'échangeur de chaleur, la vitre en céramique (cassure thermique seulement), les pièces plaquées or contre le ternissement, les composants en porcelaine émaillée, les moules d'extrusion en aluminium, déflecteurs vortex, le tiroir à cendres et les pièces moulées en fonte.  
Les composants électriques (110 V) et les pièces soumises à l'usure tels que la soufflerie, l'interrupteur thermique, les interrupteurs, l'installation électrique, les briques réfractaires, l'attache du déflecteur en acier inoxydable, tuyaux d'air secondaires et les joints d'étanchéité sont couverts et Napoléon® fournira gratuitement les pièces de rechange durant la première année de la garantie limitée.  
Les coûts de main-d'œuvre relatifs aux réparations garanties sont couverts gratuitement durant la première année. Cependant, les travaux de réparation nécessitent l'apposition préalable d'un représentant autorisé de la compagnie. Les coûts de main-d'œuvre à la charge de NAPOLÉON® sont basés sur un programme de tarifs prédéterminés et tout travail de réparation doit être accompli par l'entremise d'un détaillant autorisé Napoléon®.  
Les pièces telles que les briques réfractaires et les déflecteurs devraient être retirées occasionnellement par l'opérateur dans le cadre d'un entretien normal. Par conséquent, les coûts de main-d'œuvre associés au remplacement de l'une de ces pièces ne sont pas couverts par la garantie.  
\* La fabrication de chaque modèle varie. La garantie s'applique uniquement aux composants disponibles avec votre appareil.

**CONDITIONS ET LIMITATIONS**

NAPOLÉON® garantit ses produits contre les défauts de fabrication à l'acheteur d'origine seulement. L'enregistrement de la garantie n'est pas nécessaire. Fournissez simplement un preuve d'achat ainsi que le modèle et le numéro de série afin d'effectuer une réclamation de garantie. L'achat doit avoir été fait par l'entremise d'un détaillant NAPOLÉON® autorisé et sous réserve des conditions et limitations suivantes :  
La couverture de la garantie débute à partir de la date d'installation originale.  
Cet appareil n'est pas transférable et ne peut être prolongé ou étendu par aucun de nos représentants quelle qu'en soit la raison. L'appareil à bois doit être installé par un installateur ou un entrepreneur qualifié. L'installation doit être faite conformément aux instructions d'installation incluses avec le produit et à tous les codes d'incendie et de construction locaux et nationaux.  
Cet appareil ne couvre pas les dommages causés par un mauvais usage, un manque d'entretien, un accident, des allègements, des abus ou de la négligence, et l'installation de pièces d'autres fabricants annulera cette garantie.  
Cet appareil ne couvre pas les égratignures, le bossellement, la corrosion ou la décoloration causée par une chaleur excessive, des produits d'entretien chimiques et abrasifs ou l'écaillage des pièces en porcelaine émaillée, le bris de tout composant de ventilation utilisé dans l'appareil. Au cours de la première année seulement, cette garantie en remboursement à l'acheteur d'origine le prix de gros de toute pièce garantie qui est défectueuse ou défectueux sous condition que le produit ait été utilisé conformément aux instructions de fonctionnement et dans des conditions normales. Après la première année, concernant cette Garantie à Vie Limitée du Président, NAPOLÉON® peut, à sa discrétion, se libérer entièrement de toutes obligations en ce qui concerne cette garantie en remboursant à l'acheteur d'origine le prix de gros de toute pièce garantie qui est défectueuse.  
Après la première année, NAPOLÉON® ne sera pas responsable de la main-d'œuvre ou autres coûts ou dépenses relatives à la réinstallation d'une pièce garantie et de telles dépenses ne sont pas couvertes par cette garantie.  
Nonobstant toutes les dispositions contenues dans cette Garantie à Vie Limitée du Président, la responsabilité de NAPOLÉON® sous cette garantie est définie comme ci-dessus et elle ne s'étendra à aucun dommage accidentel consécutif ou indirect.  
Cet appareil est défini par l'obligation et la responsabilité de NAPOLÉON® en ce qui concerne l'appareil à bois NAPOLÉON®. Toute autre garantie énoncée ou implicite en ce qui concerne ce produit, ses composants ou accessoires est exclue.  
NAPOLÉON® n'autorisera aucun tiers à assumer en son nom toute autre responsabilité concernant la vente de ce produit. NAPOLÉON® ne sera pas responsable d'une surchauffe, des retournements, des déversements causés par des conditions environnementales telles que des toits, des bâtiments, la proximité d'arbres, de collines, de montagnes, des événements inadéquats, des configurations d'évacuation excessives, un apport d'air insuffisant ou des pressions négatives qui peuvent être causés par des systèmes mécaniques tels que les ventilateurs d'évacuation, les sèche-linge, etc. Tout dommage causé à l'appareil, à la chambre de combustion, à l'échangeur de chaleur, aux garnitures plaquées ou autres composants par l'eau, les dommages causés par les intempéries, de longues périodes d'humidité, la condensation, des produits chimiques ou produits d'entretien nuisibles ne seront pas la responsabilité de NAPOLÉON®.  
NAPOLÉON® se réserve le droit de demander à son représentant d'inspecter tout produit ou pièce avant d'honorer toute réclamation.  
Toutes les pièces remplacées en vertu de la politique de Garantie à Vie Limitée du Président ne peuvent faire l'objet que d'une seule réclamation. Durant les dix premières années, NAPOLÉON® remplacera ou réparera les pièces défectueuses qui sont couvertes par la garantie à vie limitée à sa discrétion gratuitement. Après les dix premières années, NAPOLÉON® fournira les pièces de rechange à 50 % du prix de détail courant.  
Toutes les pièces remplacées au titre de la garantie seront couvertes pour une période de 90 jours à partir de leur date d'installation.  
Le fabricant peut exiger que les pièces défectueuses ou les produits soient retournés ou que des photos numériques soient fournies pour valider la réclamation. Les produits retournés doivent être expédiés port payé au fabricant pour une inspection en usine. Si un produit est déclaré défectueux, le fabricant le réparera ou le remplacera.  
Avant d'expédier votre appareil ou les pièces défectueuses, votre détaillant doit obtenir un numéro d'autorisation. Toute marchandise expédiée à notre usine sans autorisation sera refusée et retournée à l'expéditeur.  
Les coûts d'expédition ne sont pas couverts par cette garantie.  
Des frais de service supplémentaires peuvent être appliqués si vous cherchez à obtenir des services au titre de la garantie auprès d'un détaillant. Les indemnités de main-d'œuvre au titre de la garantie s'appliquent uniquement pour le remplacement d'une pièce garantie. Les frais de déplacement, de tests de diagnostic, d'expédition et autres frais afférents ne sont pas couverts par cette garantie.

TOUTES LES SPÉCIFICATIONS ET LES CONCEPTIONS SONT SUJETTES À MODIFICATIONS SANS PRÉAVIS EN RAISON DES AMÉLIORATIONS CONSTANTES APPORTÉES AU PRODUIT. NAPOLÉON® EST UNE MARQUE DE COMMERCE DÉPOSÉE DE

WOLF STEEL LTÉE.

# 10.0 GUIDE DE DÉPANNAGE

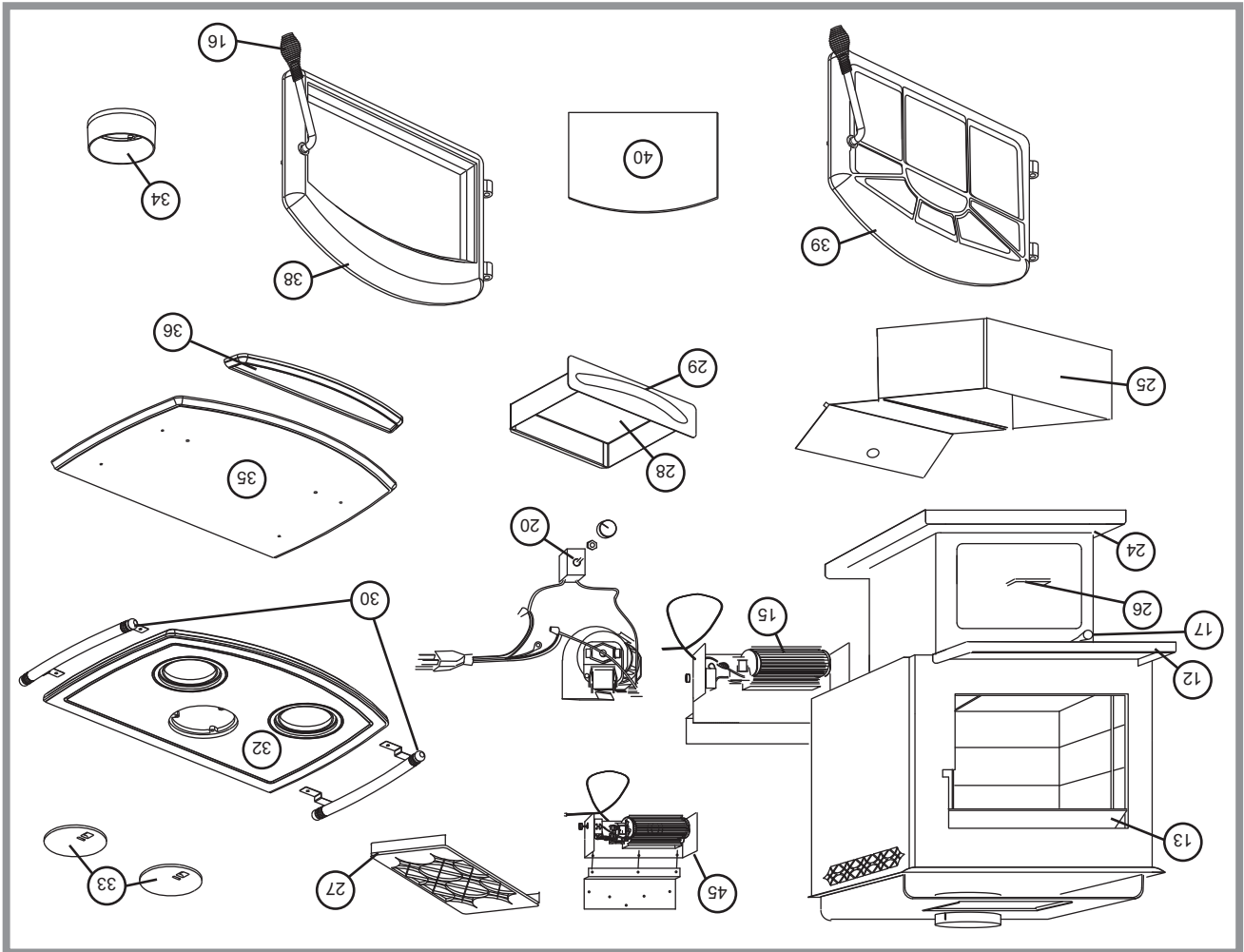
## **AVERTISSEMENT**

COUPEZ L'ALIMENTATION ÉLECTRIQUE AVANT DE PROCÉDER À L'ENTRETIEN DE L'APPAREIL.
L'APPAREIL PEUT ÊTRE CHAUD. ATTENDEZ QU'IL SOIT REFROIDI AVANT D'EN FAIRE L'ENTRETIEN.
N'UTILISEZ PAS DE PRODUITS D'ENTRETIEN ABRASIFS.
LORSQUE VOUS VÉRIFIEZ DES CONNEXIONS, QUE VOUS INSTALLEZ DES FILS DE DÉRIVATION (POUR EFFECTUER DES TESTS UNIQUEMENT) OU QUE VOUS REMPLACEZ DES COMPOSANTS, DÉBRANCHEZ L'APPAREIL DU RÉCEPTACLE AFIN D'ÉVITER LES CHOCs ÉLECTRIQUES OU DES DOMMAGES AUX COMPOSANTS.

PROBLÈME	SOLUTIONS
----------	-----------

Le feu ne s'allume pas.	- Pas assez de bois d'allumage/de papier? Ajoutez-en. - Pas assez d'air? Assurez-vous que le contrôle d'air est complètement ouvert. - Blocage d'air froid? Brûlez un morceau de papier journal pour créer un tirage. - Utilisez du bois bien sec. - Conduit obstrué? Inspectez la cheminée.
Présence de fumée lorsque la porte est ouverte.	- Blocage d'air froid? Brûlez un morceau de papier journal pour créer un tirage. - Tirage insuffisant? Ajoutez des conduits. - Laissez l'air se stabiliser avant d'ouvrir la porte. - Assurez-vous que les déflecteurs sont bien positionnés. - Pression négative? Ouvrez une fenêtre située près de l'appareil.
Une odeur se dégage de l'appareil.	- Cuisson de la peinture. Voir la section « INSTRUCTIONS GÉNÉRALES ».
L'appareil ne devient pas suffisamment chaud.	- Le bois est trop humide. - Tirage insuffisant? Ajoutez des conduits. - Pas assez d'air? Assurez-vous que le contrôle d'air est complètement ouvert.
Le bois brûle trop rapidement.	- Le contrôle d'air doit possiblement être réduit. - Assurez-vous que le couvercle de la chute à cendres est bien installé (s'il en est muni). - Vérifiez que le joint d'étanchéité de la porte est bien hermétique. - Le bois est peut-être extrêmement sec.
Vitre sale.	- Le contrôle d'air peut être trop fermé. - Faites des feux plus chauds et plus petits. - Utilisez du bois bien sec.
La soufflerie ne fonctionne pas.	- L'appareil n'a peut-être pas atteint sa température. - Assurez-vous que la soufflerie est bien branchée.

42.14A



N° RÉF.	1100	1150	1400	1450	1900	DESCRIPTION
38	H222-G	H222-G	H222-G	H222-G	H222-G	PORTE PLAQUÉE OR
38	H222	H222	H222	H222	H222	PORTE NOIRE
38	H222-SS	H222-SS	H222-SS	H222-SS	H222-SS	PORTE EN ACIER INOXYDABLE BROSSÉ - ARQUÉE STANDARD
39	H222-W	H222-W	H222-W	H222-W	H222-W	PORTE NOIRE - AMÉRICAIN D'ANTAN
39	H222-GW	H222-GW	H222-GW	H222-GW	H222-GW	PORTE PLAQUÉE OR - AMÉRICAIN D'ANTAN
39	H222-SSW	H222-SSW	H222-SSW	H222-SSW	H222-SSW	PORTE EN ACIER INOXYDABLE BROSSÉ - AMÉRICAIN D'ANTAN
40	W010-1071	W010-1071	W010-1071	W010-1071	W010-1071	VITRE AVEC JOINT D'ÉTANCHÉITÉ
41*	W020-0043	W020-0043	W020-0043	W020-0043	W020-0043	JOINT D'ÉTANCHÉITÉ DE PORTE
42*	W020-0050	W020-0050	W020-0050	W020-0050	W020-0050	JOINT D'ÉTANCHÉITÉ DE VITRE
43*	GS200-G	S/O	GS-530G	S/O	GS-530G	GRILLE ORNEMENTALE
44*	S/O	S/O	GS-330G	S/O	GS-330G	GRILLE ORNEMENTALE PLAQUÉE OR
45	EP62-1	EP65	EP62-1	EP62-1	EP62-1	SOUFFLERIE
46*	W500-0064	S/O	W500-0064	W500-0064	W500-0064	PLAQUE DE DÉRIVATION DE LA PRISE D'AIR
47*	111KT	111KT	111KT	111KT	111KT	PRISE D'AIR EXTÉRIEUR
48*	W470-0002	S/O	W470-0002	S/O	W470-0002	PEINTURE ÉMAIL POUR RETOUCHES ET PINCEAU (SPÉCIFIEZ LA COULEUR)

## ACCESSOIRES

Vert - F  
Brun - N  
Noir - K  
Amande - S  
Fer forgé - WI

### COULEUR FINI

\*\* Pour compléter le code des articles en porcelaine émaillée, ajoutez l'une des lettres suivantes pour obtenir la couleur désirée :



## 9.0 RECHANGES

Contactez votre détaillant ou le fabricant pour les questions concernant les prix et la disponibilité des pièces de rechange. Normalement, toutes les pièces peuvent être commandées chez votre détaillant autorisé. POUR UN REMPLACEMENT DE PIÈCE SOUS GARANTIE, UNE PHOTOCOPIE DE LA FACTURE ORIGINALE SERA REQUISE AFIN DE POUVOIR HONORER LA DEMANDE.

Lorsque vous commandez des pièces, donnez toujours l'information suivante :

- Modèle et numéro de série de l'appareil
- Date d'installation de l'appareil
- Numéro de la pièce
- Description de la pièce
- Fin!

\* IDENTIFIÉ LES ARTICLES QUI NE SONT PAS ILLUSTRÉS. POUR PLUS D'INFORMATION, CONTACTEZ VOTRE DÉTAILLANT AUTORISÉ.

**OMETTRE DE POSITIONNER LES PIÈCES CONFORMÉMENT AU MANUEL OU D'UTILISER UNIQUEMENT DES PIÈCES SPÉCIFIQUEMENT APPROUVÉES POUR CET APPAREIL PEUT CAUSER DES DOMMAGES MATÉRIELS OU DES BLESSURES CORPORELLES.**

### **AVERTISSEMENT**

41.1

## COMPOSANTS

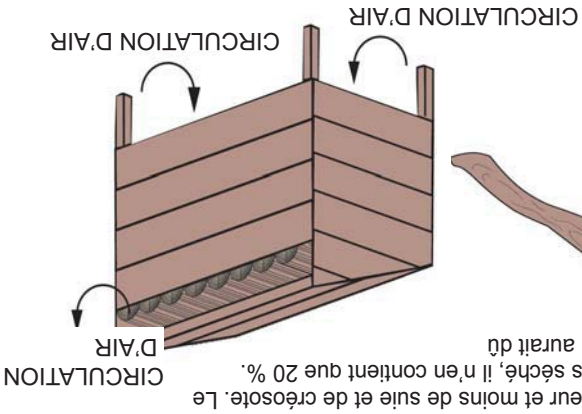
REF #	1100	1150	1400	1450	1900	DESCRIPTION
A	W090-0001	W090-0001	W090-0001	W090-0001	W090-0001	BRIQUE
B	W090-0002	W090-0002	W090-0002	W090-0002	W090-0002	BRIQUE
C	W090-0003	W090-0003	N/A	N/A	W090-0003	BRIQUE
D	W090-0004	W090-0004	W090-0004	W090-0004	W090-0004	BRIQUE, GAUCHE
D	W090-0005	W090-0005	W090-0005	W090-0005	W090-0005	BRIQUE, DROIT
E	W090-0018	W090-0018	W090-0018	W090-0018	W090-0018	BRIQUE
F	W090-0019	W090-0019	W090-0019	W090-0019	W090-0019	BRIQUE
G	W090.0016	W090.0016	W090.0016	W090.0016	W090.0016	BRIQUE
H	W090-0017	W090-0017	W090-0017	W090-0017	W090-0017	BRIQUE
I	W018-0077	W018-0077	N/A	N/A	N/A	DÉFLECTEUR EN FIBRE
J	N/A	N/A	W018-0078	W018-0078	W018-0130	DÉFLECTEUR EN FIBRE
12	W135-0238	W135-0238	W135-0238	N/A	W135-0238	PARE-CENDRES EN FONTE
13	W010-0347	W010-0347	W010-0347	W010-0347	W010-0347	ÉCRAN ET JOINT DU COLLECTEUR
14*	W570-0007	W570-0007	W570-0007	W570-0007	W570-0007	VIS POUR COLLECTEUR ÉCRAN
15	GZ552	GZ552	GZ552	GZ552	GZ552	SOUFFLERIE
16	W325-0045	W325-0033	W325-0045	W325-0045	W325-0045	POIGNÉE À RESSORT - GRANDE
17	W325-0044	W325-0032	W325-0044	W325-0044	W325-0044	POIGNÉE À RESSORT - PETITE
18*	W018-0077 (#10)	W018-0077 (#10)	W018-0078 (#11)	W018-0078 (#11)	W018-0092 (#12) W018-0093 (#13)	DÉFLECTEUR EN FIBRE
19*	EP-11MS	N/A	EP-14MS	EP-14MS	EP-19MS	JOINT DU COLLECTEUR
20	KB-35	N/A	KB-35	KB-35	KB-35	INTERRUPTEUR À VITESSE VARIABLE AVEC BOUTON
21*	W580-0001	W580-0001	W580-0002	W580-0005	W580-0003	ENSEMBLE COMPLET DE BRIQUES
22*	CL28	N/A	CL28	N/A	CL28	PERSIENNES NOIRES
23*	CL28G	N/A	CL28G	N/A	CL28G	PERSIENNES PLAQUÉES OR
24	W010-0349	W715-0641	W010-0349	N/A	W010-0349	MOULURE DE PIÉDESTAL
25	W010-0243	N/A	W010-0243	N/A	W010-0243	TIROIR À CENDRES (SANS PANNÉAU DE FACE)
26	W325-0011	N/A	W325-0011	N/A	W325-0011	POIGNÉE DE TIROIR À CENDRES
27	W200-0077	N/A	GS-330K	N/A	GS-330K	GRILLE ORNEMENTALE NOIRE
28	N/A	N/A	W710-0030	N/A	N/A	TIROIR À CENDRES
29	N/A	N/A	W325-0041	N/A	N/A	POIGNÉE DE TIROIR À CENDRES
30	N/A	N/A	W525-0024	N/A	N/A	GARDE-CORPS
31*	N/A	N/A	W290-0101	N/A	N/A	JOINT DE COUVERCLE EN FONTE
32	N/A	N/A	W135-0234**	N/A	N/A	DESSUS DE POÈLE EN FONTE
33	N/A	N/A	W135-0235**	N/A	N/A	COUVERCLE EN FONTE
34	N/A	N/A	W135-0236**	N/A	N/A	BUSE EN FONTE
35	N/A	N/A	W135-0237**	N/A	N/A	BASE DE PIÉDESTAL EN FONTE
36	N/A	N/A	W135-0238**	N/A	N/A	PARE-CENDRES EN FONTE
37*	N/A	N/A	W325-0040	N/A	N/A	POIGNÉE DE RETENUE

<p><b>AVERTISSEMENT</b></p>
<p>CET APPAREIL A ÉTÉ CONÇU POUR BRÛLER DU BOIS NATUREL UNIQUEMENT. NE BRÛLEZ PAS DE BOIS TRAITÉS, DE CHARBON DE BOIS, DE CHARBON, DE PAPIERS DE COULEUR, DE CARTONS, DE SOLVANTS NI DE DÉCHETS. CET APPAREIL N'A PAS ÉTÉ TESTÉ AVEC UN ENSEMBLE DE BÛCHES À GAZ NON VENTILÉES. AFIN DE RÉDUIRE LE RISQUE D'INCENDIE OU DE BLESSURE, N'INSTALLEZ PAS D'ENSEMBLE DE BÛCHES À GAZ NON VENTILÉES DANS CET APPAREIL.</p>
<p>VOUS OBTENEZ UNE MEILLEURE EFFICACITÉ ET DES ÉMISSIONS PLUS FAIBLES AVEC DU BOIS DUR SÈCHÉ À L'AIR QU'AVEC DU BOIS RÉSINEUX OU VERT, OU DES BOIS DURS FRAÎCHEMENT COUPÉS.</p>
<p>BRÛLER DU BOIS VERT OU HUMIDE PEUT CAUSER DES ACCUMULATIONS EXCESSIVES DE CRÉOSOTE. LORSQU'ALLUMÉE, ELLE PEUT CAUSER UN FEU DE CHEMINÉE ET UN INCENDIE GRAVE POURRAIT S'ENSUIVRE. N'ENTREPOSEZ PAS LE BOIS À L'INTÉRIEUR DES DÉGAGEMENTS DE L'APPAREIL OU DANS L'ESPACE REQUIS POUR LE RAVITAILEMENT OU L'ENLÈVEMENT DES CENDRES.</p>

Lorsque vous chargez l'appareil, assurez-vous que les déflecteurs en fibre dans le haut de l'appareil ne se déplacent pas. Pour assurer une efficacité maximale lorsque l'appareil est réchauffé, remplissez-le avec du bois jusqu'au haut de la porte de chargement et brûlez en réglant à feu moyen-bas. Des brûles presque entièrement blanches et une vitre presque entièrement propre sont de bons indicateurs que votre appareil fonctionne efficacement. Lorsque vous ne brûlez que quelques bûches, l'appareil ne produira pas assez de chaleur ou le bois ne brûlera pas complètement.

Le combustible pour l'appareil ne doit pas être entreposé à l'intérieur des dégagements minimaux aux matériaux combustibles (matériau sensible à la chaleur). **N'ENTREPOSEZ JAMAIS DE BOIS DANS LE COMPARTIMENT DU TIROIR À CENDRES** (s'il y a lieu).

**NOTE :** Lorsque vous chargez l'appareil, assurez-vous de garder le combustible éloigné de la vitre. Si des braises s'accumulent sur le rebord avant, elles pourraient tomber hors de l'appareil quand vous ouvrez la porte.



Ne brûlez que du bois propre, non peint et bien séché. Le produit plus de chaleur et moins de suie et de créosote. Le bois fraîchement coupé contient environ 50 % d'humidité tandis qu'une fois séché, il n'en contient que 20 %. Le bois dur brûle aussi bien que le bois résineux dans cet appareil; par contre, le bois dur est plus dense, plus lourd, brûle plus lentement et plus longtemps. Le bois de chauffage devra être fendu et corde de telle façon que l'air puisse circuler aisément au travers. Il faudra couvrir la corde de bois au début du printemps pour qu'elle soit prête à être brûlée l'automne suivant.

Coupez le bois de façon à ce qu'il puisse rentrer horizontalement, de l'arrière vers l'avant, dans l'appareil. Ceci facilite le chargement et il y aura moins de risque que le bois roule sur la vitre.

Les bûches artificielles obtenues par la compression de fibre de bois 100 % naturelle peuvent être utilisées sans danger comme combustible. N'utilisez pas des bûches artificielles contenant des additifs comme de la paraffine, de la cire, des liants, etc. Ne brûlez jamais plus de deux bûches artificielles à la fois.

**À FAIRE**

- Faire un feu chaud.
- Utiliser du bois sec seulement.
- Plusieurs morceaux de dimensions moyennes sont préférables à quelques gros morceaux.
- Nettoyer la cheminée régulièrement.
- Réaligner fréquemment en utilisant des morceaux de dimension moyenne.
- Bien ajuster le contrôle de combustion pour une performance optimale.

**À NE PAS FAIRE**

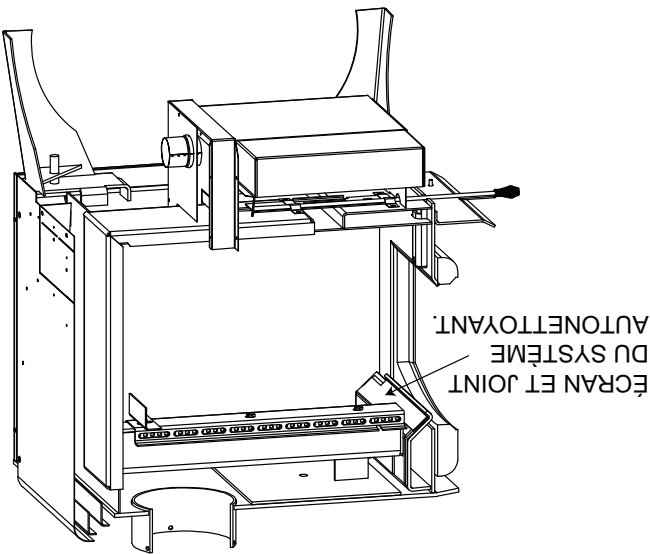
- Retirer les cendres immédiatement. Laissez-les s'accumuler sur une épaisseur d'au moins un pouce. Une bonne couche de cendres favorise une attisée qui brûle mieux et qui dure plus longtemps.
- Brûler du bois humide.
- Fermer la porte prématurément ou fermer le contrôle de combustion trop rapidement.
- Brûler un gros morceau de bois plutôt que deux ou trois morceaux plus petits, de dimensions plus raisonnables.
- Brûler continuellement à un réglage trop bas. Si la vitre de la porte est constamment noircie, cela signifie que la température de la chambre de combustion est trop basse.

## 8.7 REMPLACEMENT DES JOINTS D'ÉTANCHÉITÉ

À la fin de chaque saison de chauffage, vérifiez s'il n'y a pas de gonflage ou de détérioration de l'écran du collecteur et du joint sous le collecteur. Remplacez si nécessaire. Les deux sont fixés au collecteur à l'aide de vis à métal. L'écran et le joint de fibre de 1/8" sont disponibles chez votre détaillant Wolf Steel Itée. Vérifiez aussi que le joint de la porte n'est pas détérioré ou lâche. Remplacez avec un joint de fibre de verre haute densité de 1/2" si nécessaire.

L'écran et le joint du système autonettoyant situés à l'intérieur de l'appareil, au-dessus de la porte devraient être inspectés et remplacés s'ils sont détériorés.

**NOTE : Ne faites pas fonctionner l'appareil si l'écran du collecteur, l'écran et le joint du système autonettoyant ou le déflecteur en fibre sont détériorés ou manquants.**



## 8.8 SOINS DE LA VITRE

Si vous ne nettoyez pas les dépôts régulièrement, la vitre risque de rester marquée en permanence. Normalement, un feu très chaud maintiendra la vitre propre. Les raisons les plus fréquentes pour lesquelles la vitre se salit sont : trop peu de combustible est utilisé pour réchauffer suffisamment l'appareil, l'utilisation de bois vert ou humide, le contrôle de combustion est trop fermé, créant une insuffisance d'air pour réaliser une combustion complète. S'il est nécessaire de nettoyer la vitre, utilisez un linge doux avec un nettoyeur sans abrasif.

**NE PAS NETTOYER LORSQU'ELLE EST CHAUDE!** Nettoyez la vitre avec un nettoyeur recommandé après les dix premières heures de fonctionnement. Par la suite, nettoyez aussi souvent qu'il le faudra.

La vitre est très résistante, mais ne laissez pas de bois en combustion s'appuyer contre elle. Fermez toujours la porte doucement. **NE FORCEZ JAMAIS POUR LA FERMER!**

Si la vitre devait fissurer pendant que le feu brûle, n'ouvrez pas la porte jusqu'à ce que le feu s'éteigne et n'utilisez pas l'appareil jusqu'à ce que la vitre ait été remplacée par une nouvelle, disponible chez votre détaillant autorisé. **N'UTILISEZ PAS DE MATÉRIAUX SUBSTITUS.**

## 8.9 SOINS DES PIÈCES PLAQUÉES

Si l'appareil est muni de pièces plaquées, vous devez enlever toutes traces de doigts ou autres marques des surfaces plaquées avant d'allumer l'appareil pour la première fois. Utilisez un nettoyeur à vitres ou du vinaigre et un linge pour nettoyer. Si la surface plaquée n'est pas bien nettoyée avant le premier allumage de l'appareil, elle risque de rester marquée en permanence. Une fois que la surface plaquée aura chauffé, les traces de doigts et le gras n'affecteront plus la surface et très peu d'entretien sera requis; vous n'aurez qu'à l'essuyer au besoin. Une combustion prolongée à haute température avec la porte ouverte peut causer une décoloration des pièces plaquées.

**NOTE : L'emballage de protection sur les pièces plaquées s'enlève mieux lorsque l'assemblage est à température ambiante ou lorsqu'il est chauffé avec un séchoir à cheveux ou une autre source de chaleur similaire.**

6.1

5.3



## 8.5 NETTOYAGE DE LA CHEMINÉE

La cheminée et l'appareil doivent être inspectés et nettoyés s'il y a lieu au moins une fois l'an. En cas d'utilisation fréquente du chauffage au bois, le nettoyage de la cheminée doit être fait au besoin pour éviter des feux de cheminée. Les systèmes d'évacuation des appareils à combustion contrôlée peuvent nécessiter un nettoyage aussi fréquent qu'une fois par mois. Cependant, cette fréquence dépend des habitudes de chauffage de la personne qui utilise l'appareil. À titre d'exemple, il est possible d'obstruer la cheminée d'un appareil à combustible solide en quelques jours si l'appareil brûle lentement et que la cheminée est froide.

**NOTE :** Les utilisateurs qui font toujours des feux chauds auront rarement d'importantes accumulations de créosote dans la cheminée.

- Lors du nettoyage de la cheminée, certains éléments doivent être considérés :
- Les outils appropriés doivent être utilisés, incluant une brosse spécialement conçue pour le ramonage de la cheminée.
- Les conduits de raccordement, le registre et la cheminée doivent être nettoyés.
- La chambre de combustion et les déflecteurs doivent être nettoyés au besoin.
- La cheminée doit être inspectée et réparée au besoin, de préférence par un ramoneur ou un maçon qualifié.

86.1

## 8.6 REMPLACEMENT DE LA VITRE

<b>AVERTISSEMENT</b>
N'UTILISEZ PAS DE MATÉRIAUX DE SUBSTITUTION.
LA VITRE PEUT ÊTRE CHAUDE, NE TOUCHEZ PAS LA VITRE JUSQU'À CE QU'ELLE AIT REFFROIDI.
USEZ DE PRUDENCE LORSQUE VOUS ENLEVEZ ET JETEZ DES DÉBRIS DE VERRE OU DES COMPOSANTS ENDOMMAGÉS. ASSUREZ-VOUS D'ASPIRER TOUTS LES DÉBRIS DEVERRE À L'INTÉRIEUR DE L'APPAREIL AVANT DE LE FAIRE FONCTIONNER.
NE FRAPPEZ PAS, NE CLAQUEZ PAS ET N'ÉGRATIGNEZ PAS LA PORTE VITRÉE. NE FAITES PAS FONCTIONNER L'APPAREIL LORSQUE LA PORTE VITRÉE EST ENLEVÉE, FISSURÉE, BRISÉE OU ÉGRATIGNÉE.

A.

Une fois que l'appareil est refroidi,

ouvrez la porte et déposez le cadre de porte en prenant soin de ne pas

égratigner la peinture.

B.

Retirez les vis et les supports. Les

supports de côté sont retenus par les supports supérieur et inférieur. Enlevez

toute la vitre brisée.

C.

Enveloppez les rebords de la nouvelle

vitre avec un joint de fibre de verre en

forme de U et couvrez 1/4" de chaque

D.

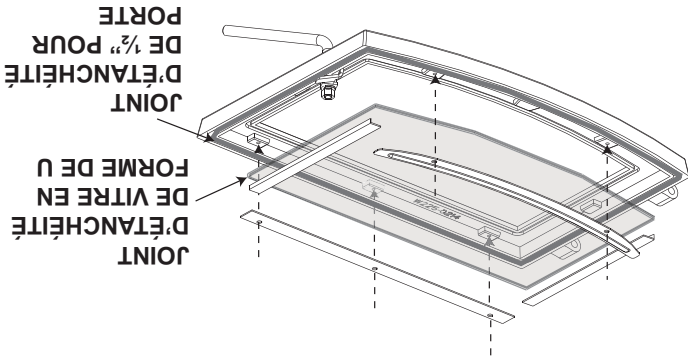
Mettez ensuite la vitre en place et

réinstallez les quatre supports. Une fois

terminé, vous devriez être capable de

bouger la vitre légèrement, horizontalement et verticalement.

**NOTE :** Pour les dimensions, l'épaisseur et les spécifications de la vitre de remplacement, voir la section « RECHANGES ».



56.2

## 8.2 APPAREILS SANS TIROIR À CENDRES (1450)

Puisque ces modèles ne possèdent pas de tiroir à cendres, pellez les cendres par la porte de l'appareil dans un contenant de métal possédant un couvercle étanche. Gardez le contenant fermé sur un plancher ou un sol incombustible, loin de tout matériau combustible. Les cendres devraient rester dans le contenant fermé jusqu'à ce que les braises soient complètement refroidies. Les cendres refroidies peuvent être utilisées dans le jardin ou pour le compostage.

## 8.3 FORMATION ET ENLÈVEMENT DE LA CRÉOSOTE

Lorsque le bois brûle lentement, il produit du goudron et autres vapeurs organiques qui, se combinant à la vapeur d'eau évacuée, forme la créosote. Ces vapeurs se condensent dans le conduit relativement froid de la cheminée d'un appareil brûlant lentement et, lorsqu'elle prend feu, la créosote produit un feu extrêmement chaud. Par conséquent, le tuyau de raccordement / gaine de cheminée et la cheminée devraient être inspectés mensuellement pendant la saison de chauffage afin de déterminer si une accumulation s'est produite. L'accumulation de créosote doit être enlevée pour réduire le risque d'un feu de cheminée.

## 8.4 FEU DE CHEMINÉE OU FEU HORS CONTRÔLE

84.1

**UN FEU DE CHEMINÉE PEUT ENDOMMAGER VOTRE CHEMINÉE DE FAÇON PERMANENTE. POUR RÉPARER CES DOMMAGES, VOUS DEVREZ REMPLACER LES COMPOSANTS ENDOMMAGÉS. LES FEUX DE CHEMINÉE NE SONT PAS COUVERTS PAR LA GARANTIE À VIE LIMITÉE.**

### ! AVERTISSEMENT

Des feux hors contrôle peuvent être causés par les trois facteurs suivants :

- L'utilisation d'un combustible inapproprié ou de morceaux de bois trop petits qui, normalement, auraient été utilisés comme bois d'allumage.

- Une porte laissée entrouverte trop longtemps créant des températures extrêmes lorsque l'air est entrainé précipitamment par la porte ouverte.

- Faire fonctionner l'appareil avec le couvercle de la chute à cendres mal installé.

### SOLUTIONS :

- Ne brûlez pas de bois traité ou transformé, de charbon, de charbon de bois, de papier de couleur ou de carton.

- Faites attention de ne pas surchauffer l'appareil en laissant la porte ouverte trop longtemps après l'allumage initial. Un thermomètre sur le conduit de raccordement ou sur le dessus de l'appareil serait utile.

- Faites toujours fonctionner l'appareil avec le couvercle de chute à cendres bien installé.

### EN CAS DE FEU DE CHEMINÉE :

- Ayez un plan d'évacuation bien compris de tous et désignez un lieu de rassemblement à l'extérieur. Préparez-vous à évacuer les lieux pour assurer la sécurité de chacun.

- Fermez la prise d'air de l'appareil.

- Appelez votre service d'incendie. Ayez un extincteur sous la main. Contactez les autorités locales pour savoir quoi faire en cas de feu de cheminée.

- Après que le feu de cheminée est éteint et avant d'allumer un autre feu, nettoyez et inspectez la cheminée pour des signes de détérioration ou des fissures. Vérifiez également les matériaux combustibles autour de la cheminée et du toit.

85.1

## 8.0 ENTRETIEN

### AVERTISSEMENT

COUPEZ L'ALIMENTATION ÉLECTRIQUE AVANT DE PROCÉDER À L'ENTRETIEN DE L'APPAREIL.

L'APPAREIL PEUT ÊTRE CHAUD. N'EFFECTUEZ AUCUN ENTRETIEN JUSQU'À CE QUE L'APPAREIL SOIT REFRLOIDI.

N'UTILISEZ PAS DE NETTOYANTS ABRASIFS.

Afin de prévenir les accumulations de suie et de créosote, vérifiez votre cheminée et le conduit de raccordement toutes les semaines jusqu'à ce qu'une fréquence de nettoyage sécuritaire soit établie.

Si les accumulations sont excessives, débranchez l'appareil et nettoyez-le ainsi que la cheminée. Vous pouvez faire faire appel aux services d'un ramoneur professionnel pour nettoyer l'appareil et la cheminée; ils doivent être nettoyés au moins une fois l'an ou aussi souvent que nécessaire.

Enlevez les déflecteurs en fibre et nettoyez au-dessus une fois par année. Remplacez les briques brisées.

## 8.1 ENLÈVEMENT DES CENDRES

### AVERTISSEMENT

L'ÉLIMINATION INCORRECTE DES CENDRES CAUSE DES INCENDIES. NE JETEZ PAS LES CENDRES DANS DES BOÎTES EN CARTON, NE LES JETEZ PAS DANS LA COUR ET NE LES ENTREPOSEZ PAS DANS UN GARAGE.

SI VOUS UTILISEZ UN ASPIRATEUR POUR NETTOYER LES CENDRES, ASSUREZ-VOUS QUE CES DERNIÈRES SOIENT ENTièrement REFRLOIDIES. L'UTILISATION D'UN ASPIRATEUR POUR NETTOYER LES CENDRES CHAUDES POURRAIT OCCASIONNER UN INCENDIE DANS L'ASPIRATEUR.

NE FAITES JAMAIS FONCTIONNER L'APPAREIL AVEC LE COUVERCLE DE LA GRILLE RETIRÉ (SI APPLICABLE.

SI LE JOINT ENTRE L'OUVERTURE, LE COUVERCLE ET LA PORTE DE LA CHUTE À CENDRE N'EST PAS ÉTANCHE, CELA ENTRAÎNERA UNE SURCHAUFFE POUVANT ENDOMMAGER L'APPAREIL.

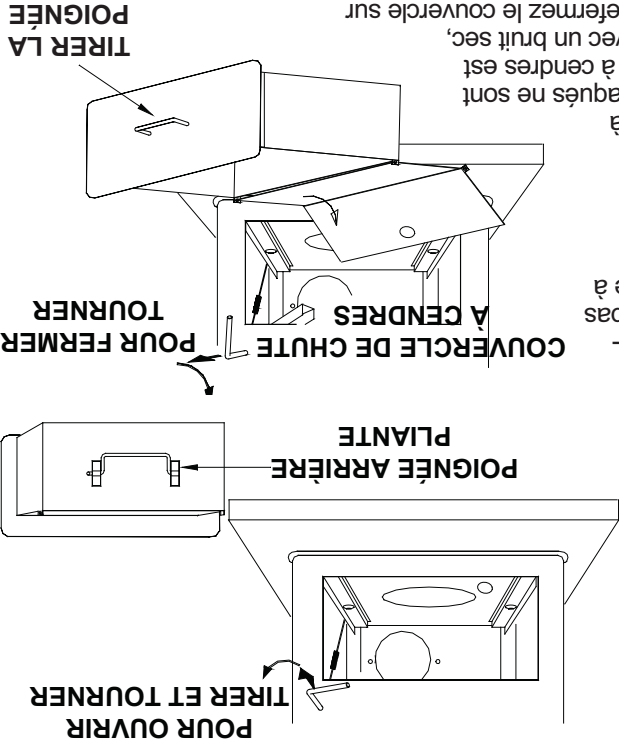
**NOTE :** Les tiroirs à cendres sur le modèle 1150 ne sont pas munis d'un couvercle ni d'une poignée arrière pliante. Le tiroir à cendres n'est pas disponible pour le modèle 1450.

Laissez les cendres s'accumuler sur une épaisseur de deux ou trois pouces sur le plancher de la chambre de combustions; elles ont tendance à se consumer. Une fois que le feu s'est éteint et que les cendres se sont refroidies, enlevez toutes les cendres excédentaires, mais laissez une épaisseur d'un pouce sur le plancher de la chambre de combustions pour aider à conserver un lit de braises chaudes.

Pour utiliser votre tiroir à cendres, tirez la poignée de la chute à cendres, puis tournez-la de 90° vers la gauche pour ouvrir. Ratissez les cendres excédentaires dans le tiroir à cendres. Fermez la chute à cendres en vous assurant qu'il n'y a pas de braises ou d'objets qui empêchent le couvercle ou la chute à cendres de fermer.

**NE FAITES JAMAIS FONCTIONNER VOTRE APPAREIL QUAND LA CHUTE À CENDRES EST OUVERTE.**

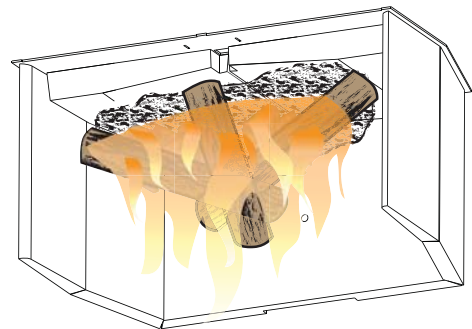
Ceci engendrerait des risques qui pourraient causer un feu de cheminée ou un incendie, ainsi que des dommages internes à l'appareil ou la décoloration de la porte plaquée or (les finis plaqués ne sont pas couverts par la garantie). Pour vous assurer que la chute à cendres est complètement fermée, assurez-vous que la porte se ferme avec un bruit sec, délogant ainsi ce qui pourrait être coincé dans l'ouverture. Refermez le couvercle sur le tiroir à cendres lorsque vous transportez les cendres jusqu'à un contenant possédant un couvercle étanche pour entreposage. Pour transporter le tiroir à cendres, utilisez les poignées avant et arrière.



## 7.3 ALLUMER UN FEU

### 7.4.1 FEU ÉCLAIR

Un feu éclair est un petit feu qui brûle rapidement quand vous n'avez pas besoin de beaucoup de chaleur. Une fois que votre bois d'allumage est bien allumé, chargez trois bûches par-dessus de façon très lâche. Faites brûler avec le contrôle de combustion pleinement ouvert ou à peine fermé.



93.1

### 7.2.1 FEU CONTINU

Chargez vos bûches de dimension plus grande de façon compacte pour empêcher les flammes de s'infiltrer complètement. Après 30 minutes environ, selon la grosseur de la charge, fermez le contrôle de combustion en vérifiant que le feu ne se soit pas éteint.

#### NE SURCHAUFFEZ PAS L'APPAREIL!

Une surchauffe peut se produire :

- A. en brûlant de grandes quantités de bois de dimension réduite, tel que des rebuts de bois de meuble, des palettes ou du bois traité;
- B. en brûlant vivement des grandes quantités de bois avec le contrôle de combustion à « HIGH » (entièrement ouvert) pendant de longues périodes (une ou deux heures).

- C. en faisant fonctionner l'appareil lorsque la porte de la chute à cendres est ouverte ou lorsque le joint d'étanchéité de la porte principale est défectueux.

82.1

## 7.4 ENFUMAGE

Un appareil installé convenablement ne devrait pas fumer. Si le votre fume, vérifiez les points suivants :

- Est-ce que la cheminée a pu se réchauffer suffisamment?
- Est-ce que le passage de la fumée est bloqué soit dans la cheminée, soit dans le conduit de raccordement, soit dans l'appareil?
- Est-ce que la pièce est trop hermétique et que la prise d'air comburant n'est pas raccordée sur l'extérior? Essayez avec une fenêtre partiellement ouverte.
- Est-ce que le flot de fumée est restreint par un tuyau horizontal trop long ou par un trop grand nombre de coudes? S'agit-il d'un tirage faible causé par une cheminée non hermétique, une cheminée extérieurement froide, un diamètre de cheminée trop grand, une cheminée trop courte ou trop près des arbres ou d'un toit plus élevé?

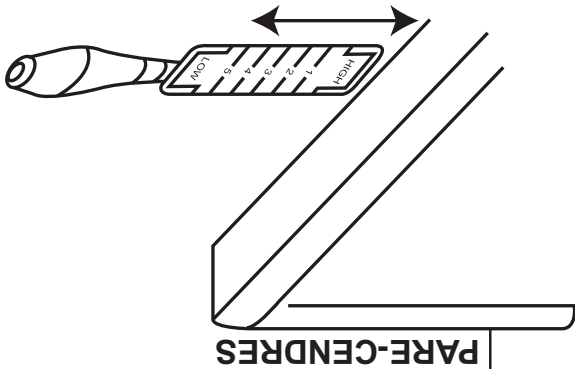
83.1

Toutes les maisons possédant un appareil à combustible solide devraient posséder au moins un extincteur d'incendie dans un emplacement central connu de tous et au moins un détecteur de fumée placé dans la pièce où l'appareil est situé. Si l'alarme se déclenche, corrigez la cause mais ne désactivez pas, ou ne relocalisez pas le détecteur de fumée.

## 7.2 EXTINCTEURS ET DÉTECTEURS DE FUMÉE

Ne faites pas fonctionner l'appareil pendant plus de 30 minutes avec le contrôle d'air à « HIGH » (complètement ouvert). (complètement ouvert).

Un tirage inadéquat peut causer des retournements de fumée dans la pièce via l'appareil et les points de raccordement des conduits. Il peut également causer un blocage de la cheminée. Un tirage trop grand provoquera des températures excessives dans l'appareil, des composants de l'appareil ou des conduits de raccordements qui rougeoient ou une combustion incontrôlable qui peut causer un feu de cheminée ou des dommages permanents à l'appareil.



La température est contrôlée par le contrôle d'air. Le tirage peut être ajusté pour obtenir une combustion lente avec la manette complètement enfoncée et une combustion rapide avec la manette complètement tirée.

Le tirage est la force qui déplace l'air de la chambre de combustion vers le haut, dans la cheminée. La force de tirage de votre cheminée dépend de sa hauteur et de son diamètre, de la géographie locale, des obstructions avoisinantes et d'autres facteurs, incluant la quantité de chaleur émise par le feu qui peut être mesurée à l'aide d'un thermomètre d'appareil.

## 7.1 CONTRÔLE D'AIR

**Votre appareil n'émet pas assez de chaleur?**  
 Une ou deux causes sont possibles. La porte de l'appareil a été fermée prématurément et l'appareil n'a pas atteint sa température optimale. Ouvrez à nouveau la porte et/ou le contrôle de combustion afin de repartir un feu vif. Du bois humide pourrait être la deuxième cause. Un bois grésillant d'où s'échappe de l'humidité est le symptôme typique.

**Vous n'arrivez pas à faire partir votre feu?**  
 Utilisez un peu plus de bois d'allumage et de papier. Si la cheminée et le tuyau d'évacuation sont de grandeur de petits morceaux de bois d'allumage sec. Le bois d'allumage devrait avoir un diamètre équivalent à celui de votre pouce.

Sans thermomètre, vous travaillez à l'aveuglette, sans aucune idée réelle du fonctionnement de votre appareil. Un thermomètre d'appareil vous donne une référence quant à la performance de votre appareil et doit être placé 14" au-dessus de la buse de l'appareil. Installez le thermomètre selon les instructions du fabricant.

Vous pouvez maintenant ajouter de plus gros morceaux de bois et faire fonctionner l'appareil normalement. Une fois que l'appareil est complètement réchauffé, il brûlera très efficacement en laissant échapper que très peu de fumée par la cheminée. Il y aura un lit de braises orangées dans la chambre de combustion et les flammes secondaires effleureront le dessous des déflecteurs supérieurs. Vous pouvez sans crainte remplir la chambre de combustion avec du bois jusqu'au haut de la porte de chargement et vous obtiendrez de meilleures flammes si vous maintenez la température du tuyau de l'appareil entre 250 ° F (120 ° C) et 450 ° F (270 ° C). Un thermomètre de surface vous aidera à mieux contrôler la température.

Une fois que la porte est fermée, vous observerez un changement dans le comportement des flammes. Elles deviendront plus petites et plus paresseuses parce que le volume d'oxygène qui entre dans la chambre de combustion est moindre. Cependant, les flammes sont plus efficaces. Elles continueront d'être paresseuses, mais redeviendront plus grandes dès que les briques réfractaires auront été complètement réchauffées et que la cheminée deviendra plus chaude, produisant ainsi un meilleur tirage. À ce stade, les grandes flammes que vous observez lorsque la porte est ouverte tirent inutilement l'air réchauffé de la pièce dans la cheminée, une situation qui est certes indésirable. C'est pourquoi il faut toujours faire fonctionner l'appareil avec la porte complètement fermée lorsque les morceaux de bois de dimensions moyennes sont enflammés.



Lentement, ajoutez des morceaux de bois plus gros (2" x 4"). Posez les morceaux dans le lit de braises, parallèlement à l'arrière de l'appareil, tout en gardant une tranchee peu profonde entre les morceaux de bois. Ainsi, l'air comburant primaire circulera directement dans la tranchee et allumera le bois. Lorsque la flambee semble à son maximum, des bûches de dimensions moyennes peuvent être ajoutées. Une fois que ces morceaux ont pris feu, fermez la porte doucement. (Le fait de fermer la porte immédiatement après le chargement entraînera une diminution de température dans la chambre de combustion et se traduira par une combustion insatis-  
faisante.) Rappelez-vous qu'il est plus efficace de brûler des morceaux de bois de dimensions moyennes à feu vif et de recharger plus souvent, que d'alimenter l'appareil avec de gros morceaux qui produiront un feu languissant et inefficace qui salira la vitre.

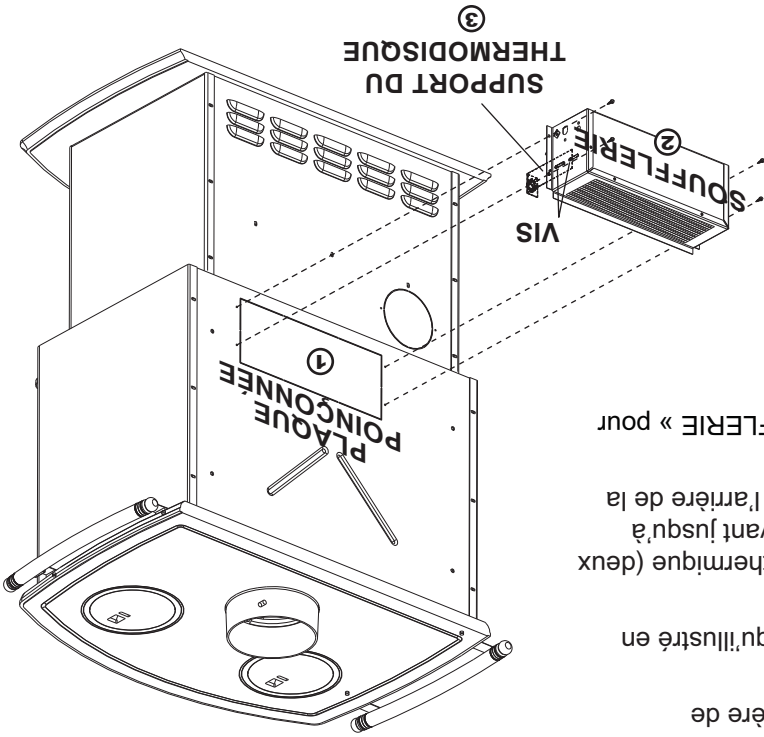
L'allumage, un feu vif est requis. Placez des morceaux de papier grossièrement chiffonnés sur le plancher de l'appareil et couvrez-les de bois d'allumage. Ouvrez complètement le contrôle de combustion en le déplaçant complètement à droite. Allumez le papier et laissez la porte légèrement entrouverte (un pouce) jusqu'à ce que tout le bois d'allumage soit enflammé. Pour maintenir un feu vif, un lit de braises doit se former et être entretenu.

Le (s) premier (s) feu (x) de l'appareil sera/seront difficile (s) à partir et à maintenir tout en produisant qu'un peu de chaleur. Ceci est le résultat de l'humidité émanant des briques réfractaires. Après 30 à 40 heures de fonctionnement à feu vif (des températures dépassant 500 ° F à 600 ° F) votre appareil fonctionnera de façon normale. Durant la période de rodage (les premiers 2 ou 3 feux), ne faites que des petits feux chauds en utilisant du bois d'allumage; cela permettra à la brique de se conditionner. Ne vous inquiétez pas si de petites fissures apparaissent dans les briques réfractaires. Cela est normal et ne pose aucun danger à la sécurité. La peinture peut également produire de légères émanations pendant les premiers feux à cause du processus de cuisson; vous devrez ouvrir une porte ou une fenêtre pour chasser les odeurs.

Votre appareil Napoleon certifié aux normes EPA est un appareil de haute technologie conçu selon les principes des technologies les plus avancées. Cet appareil est extrêmement hermétique et est équipé d'une alimentation directe d'air comburant exclusive (ensemble optionnel), un dispositif de sécurité qui empêche les écoulements afin de garder votre maison exempte de monoxyde de carbone, advenant un refoulement de cheminée ou une pression négative interne.

<b>AVERTISSEMENT</b>
<b>FAITES TOUJOURS FONCTIONNER CET APPAREIL AVEC LA PORTE FERMÉE ET VERROUILLÉE SAUF DURANT L'ALLUMAGE ET LE RAVITAILLEMENT. PORTEZ TOUJOURS DES GANTS POUR PRÉVENIR LES BLESSURES. NE LAISSEZ PAS L'APPAREIL SANS SURVEILLANCE LORSQUE LES PORTES SONT DÉVERROUILLÉES. DU BOIS INSTABLE POURRAIT TOMBER HORS DE LA CHAMBRE DE COMBUSTION ET CRÉER UN RISQUE D'INCENDIE.</b>
<b>NE LAISSEZ JAMAIS LES ENFANTS SANS SURVEILLANCE LORSQU'UN FEU BRÛLE DANS L'APPAREIL.</b>
<b>N'UTILISEZ JAMAIS D'ESSENCE, DE COMBUSTIBLE À LANTERNE, DE KÉROSÈNE, D'ESSENCE À BRIQUET OU D'AUTRES LIQUIDES POUR ALLUMER OU RAVIVER UN FEU DANS CET APPAREIL. GARDEZ TOUS CES LIQUIDES ÉLOIGNÉS DE L'APPAREIL LORSQUE CELUI-CI FONCTIONNE.</b>
<b>LES OBJETS PLACÉS DEVANT L'APPAREIL DOIVENT ÊTRE GARDÉS À UNE DISTANCE D'AU MOINS 48" DE LA FACE VITRÉE.</b>
<b>TOUTE MODIFICATION APPORTÉE À L'APPAREIL QUI N'À PAS ÉTÉ PRÉALABLEMENT APPROUVÉE PAR ÉCRIT PAR LE LABORATOIRE D'ESSAI EST CONSIDÉRÉE COMME UNE VIOLATION DES NORMES CSA B365 (CANADA) ET ANSI NFPA 211 (E.-U.).</b>
<b>OUVREZ LE CONTRÔLE DE COMBUSTION (ET LE REGISTRE S'IL Y A LIEU) AVANT D'OUVRIR LA PORTE DE L'APPAREIL.</b>
<b>L'APPAREIL EST CHAUD LORSQU'IL FONCTIONNE. TENIR LES ENFANTS, LES VÊTEMENTS ET LES MEUBLES À L'ÉCART. LE CONTACT PEUT CAUSER DES BRÛLURES. PORTEZ DES GANTS LORSQUE VOUS OPÉREZ VOTRE APPAREIL.</b>
<b>FAIRE FONCTIONNER CET APPAREIL AVEC LES PORTES OUVERTES OU ENTROUVERTES CRÉE UN RISQUE D'INCENDIE DE CHEMINÉE OU DU DOMICILE.</b>

## 7.0 FONCTIONNEMENT



- A. Enlevez la plaque poinçonnée de l'arrière de l'appareil.
- B. Installez la soufflerie et son boîtier tel qu'illustré en utilisant les quatre vis fournies.
- C. Desserrez le support de l'interrupteur thermique (deux vis) et faites glisser le support vers l'avant jusqu'à ce que l'interrupteur thermique touche l'arrière de la chambre de combustion et fixez.  
 Voir le feuillet « INSTALLATION DE LA SOUFFLERIE » pour des instructions détaillées.

### 6.1.1 INSTALLATION DE LA SOUFFLERIE DU 1150 (EP65)

N'enlevez pas la plaque poinçonnée à l'arrière de l'appareil. Fixez le support de fixation à la soufflerie tel qu'illustré. Fixez ensuite le support de fixation à l'arrière de votre appareil, insérez le bouton de vitesse variable et branchez dans une prise de courant mise à la terre. L'utilisation de la soufflerie accroît le débit de chaleur. Le dommage causé par ce problème ne sera pas couvert par la garantie. La poussière de gypse pénétrera dans le roulement à billes de la soufflerie causant des dommages irréparables. Vous devez éviter que cette poussière n'entre en contact avec la soufflerie ou son compartiment. Tout activé par la chaleur est aussi disponible. Il est possible d'installer une soufflerie optionnelle (EP62-1) avec un interrupteur à vitesse variable servant à faire partir et arrêter la soufflerie ainsi qu'à contrôler sa vitesse. Un contrôle thermostatique optionnel (EP36)

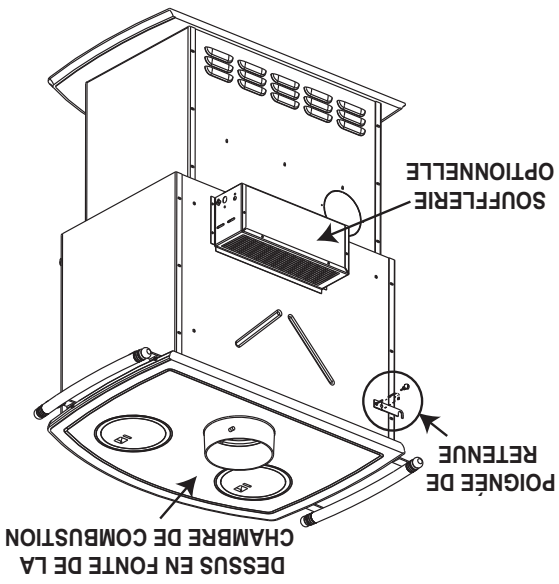
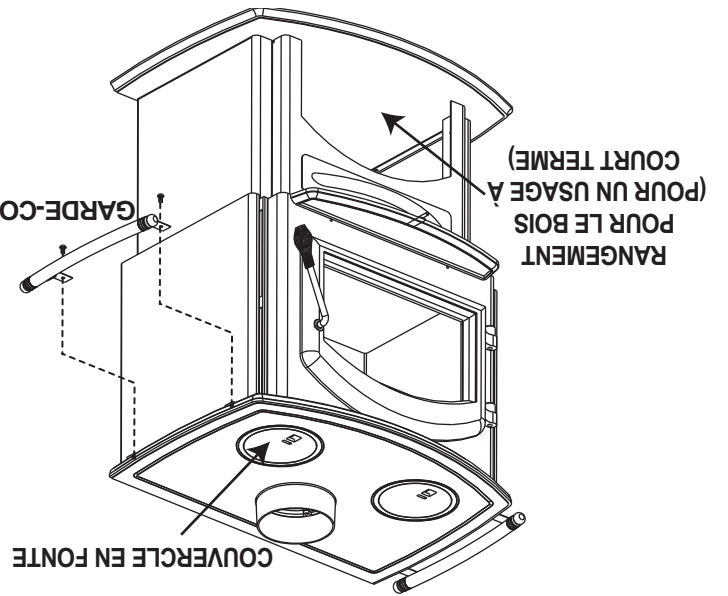
51.5

<b>⚠ AVERTISSEMENT</b>
<b>RISQUE D'INCENDIE ET DE CHOC ELECTRIQUE.</b>
COUPEZ L'ALIMENTATION EN GAZ ET L'ALIMENTATION ELECTRIQUE AVANT DE PROCEDER A L'ENTRETIEN DE L'APPAREIL.
N'UTILISEZ QUE LES ACCESSOIRES OPTIONNELS ET LES PIÈCES DE RÈCHANGÈ APPROUVÈS PAR WOLF STEEL POUR CET APPAREIL. L'UTILISATION D'ACCESSOIRES NON LISTÈS (SOUFFLERIE, PORTES, PERSIENNES, MOULURES, COMPOSANTS DE GAZ, COMPOSANTS D'ÈVACUATION, ETC.) POURRAIT ÈTRE NON SÈCURITAIRE ET ANNULER LA GARANTIE ET LA CERTIFICATION.
AFIN DE PRÈVENIR LES CHOCÈS ELECTRIQUES ET LES DOMMAGES CAUSÈS PAR LE FEU, ASSUREZ-VOUS QUE LE CORDON D'ALIMENTATION DU VENTILATEUR N'ÈNTRÈ PAS EN CONTACT AVEC QUELCONQUE SURFACE DE L'APPAREIL. NE FAITES PAS PASSER LE CORDON D'ALIMENTATION SOUS L'APPAREIL.
LE HARNAIS DE FILS FOURNI DANS L'ENSEMBLE DE SOUFFLERIE EST UN HARNAIS UNIVERSEL. LORS DE SON INSTALLATION, ASSUREZ-VOUS QUE TOUT EXCÈS DE FIL EST CONFINÈ, L'EMPÈCHANT AINSI D'ÈNTRER EN CONTACT AVEC DES OBJETS CHAUDS OU MOBILES.

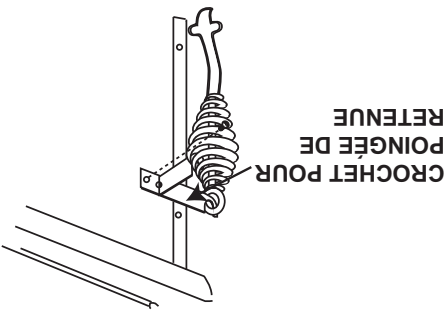
### 6.1 INSTALLATION DE LA SOUFFLERIE OPTIONNELLE

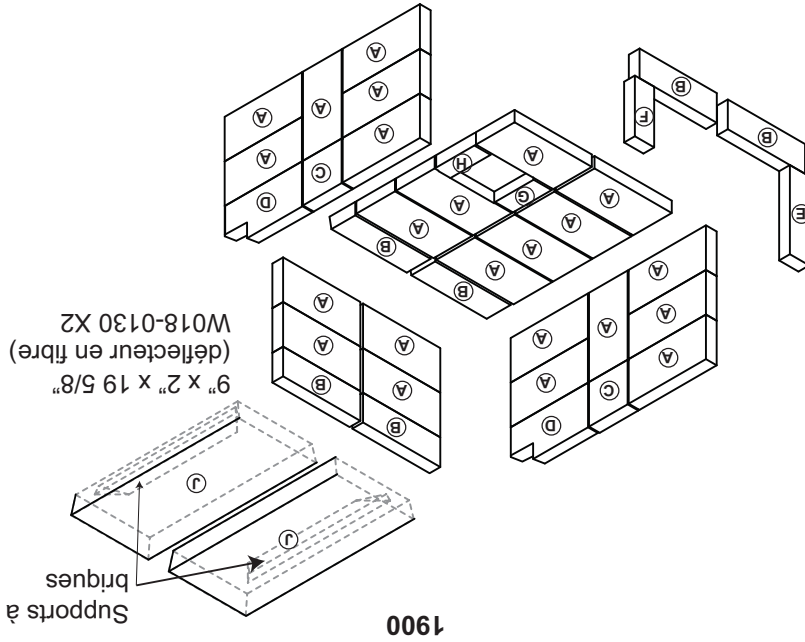
## 6.0 INSTALLATION DES ENSEMBLES OPTIONNELS

**5.6 CARACTÉRISTIQUES DU 1150**

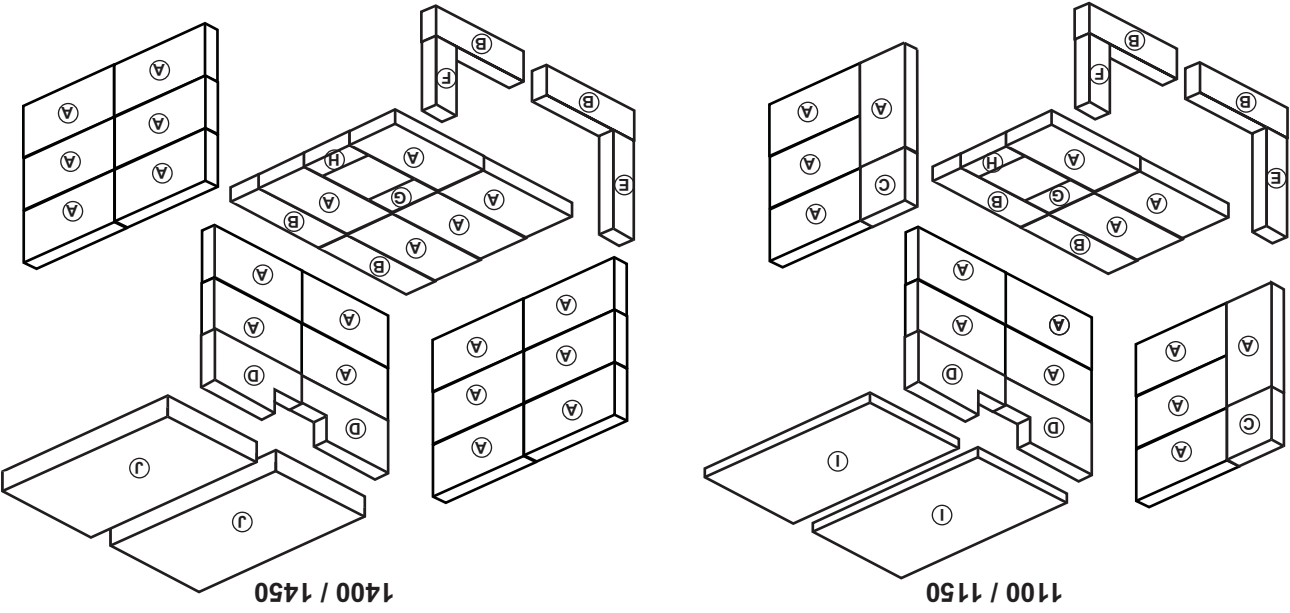


**POUR ACCROCHER LA POIGNÉE DE RETENUE :**  
Retirez la vis, tel qu'illustré, du côté de votre choix de l'arrière du poêle. Fixez le crochet de la poignée de retenue, tel qu'illustré, orienté vers l'extérieur du côté ou pliez-le vers l'arrière.





1900



1100 / 1150

1400 / 1450

A	1 1/4" x 4 1/2" x 9"	F	1 1/4" x 2 1/2" x 6 1/8"
B	1 1/4" x 3" x 9"	G	1 1/4" x 2 1/2" x 4 1/2"
C	1 1/4" x 4 1/2" x 4 1/2"	H	1 1/4" x 1 1/2" x 4 1/2"
D	1 1/4" x 4 1/2" x 9"	I	9" x 1" x 12"
(Entaillées)		J	9" x 2" x 16 1/2"
E	1 1/4" x 2 1/4" x 9"	(Défecteurs en fibre)	

**NOTE : Ne faites pas fonctionner l'appareil si le déflecteur ou l'écran du collecteur n'est pas en place.**

\* Pour la série 1400, les déflecteurs en fibre devront peut-être être placés avant les briques latérales.

- E.** Installez les 4 briques devant l'ouverture de l'appareil.  
de combustion.
- D.** Pivotez soigneusement les déflecteurs en fibre et installez-les sur le dessus des briques de côté. Appuyez l'autre extrémité sur le rebord de l'écran du collecteur. Assurez-vous que les déflecteurs sont complètement poussés vers l'arrière de la chambre de combustion, en laissant un espace minimum d'un pouce à l'avant. Ceci permettra aux résidus des gaz de combustion d'être évacués de la chambre de combustion. Répétez avec le côté opposé.
- C.** Placez le support en acier inoxydable par-dessus le dernier rang de briques tel qu'illustré. Pivotez le premier ensemble de deux déflecteurs en fibre et installez-le par-dessus le support. Appuyez l'autre extrémité des déflecteurs sur le rebord de l'écran du collecteur. Assurez-vous que les deux déflecteurs soient bien abutés l'un dans l'autre afin de fermer le joint. Poussez les déflecteurs vers l'arrière de la chambre de combustion. Répétez avec le côté opposé.
- B.** Installez cinq (série 1100), six (série 1400)\* ou huit (1900) briques sur chaque côté de l'appareil. Avant d'installer les briques arrière, desserrez la vis du support et assurez-vous qu'il a été déplacé vers l'avant. Installez les six briques sur la paroi arrière, en les faisant pivoter sous le support à briques. Resserrez la vis.
- A.** Installez les briques de plancher, de l'arrière vers l'avant de l'appareil.

Modèle 1900 seulement

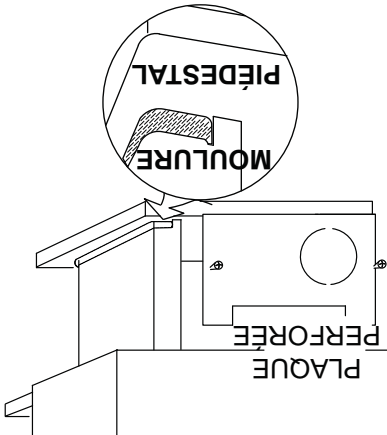
**NOTE : Les briques centrales ont été coupées.**

Une fois l'installation de l'appareil et du tuyau de raccordement complétée, mettez les briques en place en procédant tel qu'illustré précédemment.

L'UTILISATION DE L'APPAREIL SANS LES DÉFLECTEURS PEUT CAUSER DES TEMPÉRATURES EXCESSIVES QUI POURRAIENT ENDOMMAGER L'APPAREIL, LA CHEMINÉE ET L'ENCEINTE.

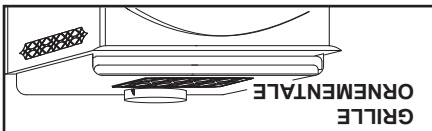
**AVERTISSEMENT**

## 5.5 INSTALLATION DES BRIQUES ET DES DÉFLECTEURS EN FIBRE



Assurez-vous que les surfaces du piédestal sont propres et sèches. Enlevez le ruban protecteur de la surface adhésive de la moule. Embotez un bout de la moule en laiton dans une des fentes du piédestal. Appuyez fermement sur la moule et progressez autour du piédestal. Coupez le surplus de moule. Fixez la plaque perforée (située dans le tiroir à cendres pour fin de livraison).

## 5.4 INSTALLATION DE LA MOULURE DU PIÉDESTAL (SI INCLUSE)



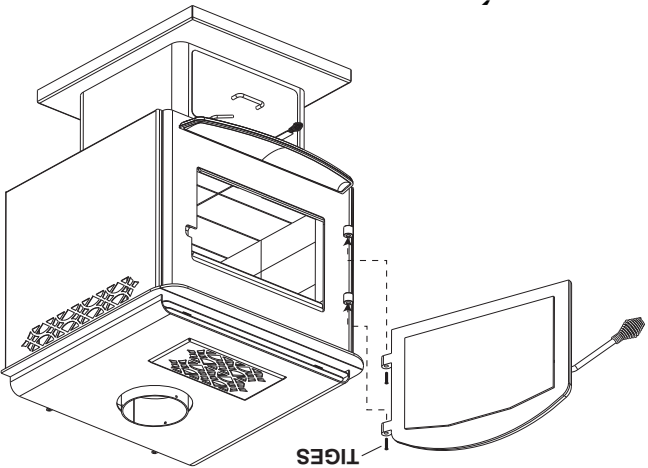
Insérez la grille ornementale dans l'espace prévu sur le dessus du poêle.

## 5.3 INSTALLATION DE LA GRILLE ORNEMENTALE

# 5.0 FINITIONS

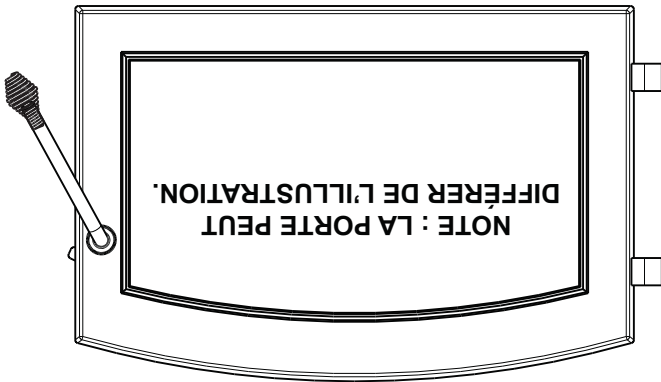
## 5.1 ENLÈVEMENT ET INSTALLATION DE LA PORTE

- A. Pivotez la porte pour l'ouvrir et soulevez-la pour dégager les bagues. Ne pivotez pas la porte plus que nécessaire.
- B. Mettez soigneusement la porte de côté et retirez les tiges des bagues de la porte. Suivez les instructions en sens inverse pour installer la porte.

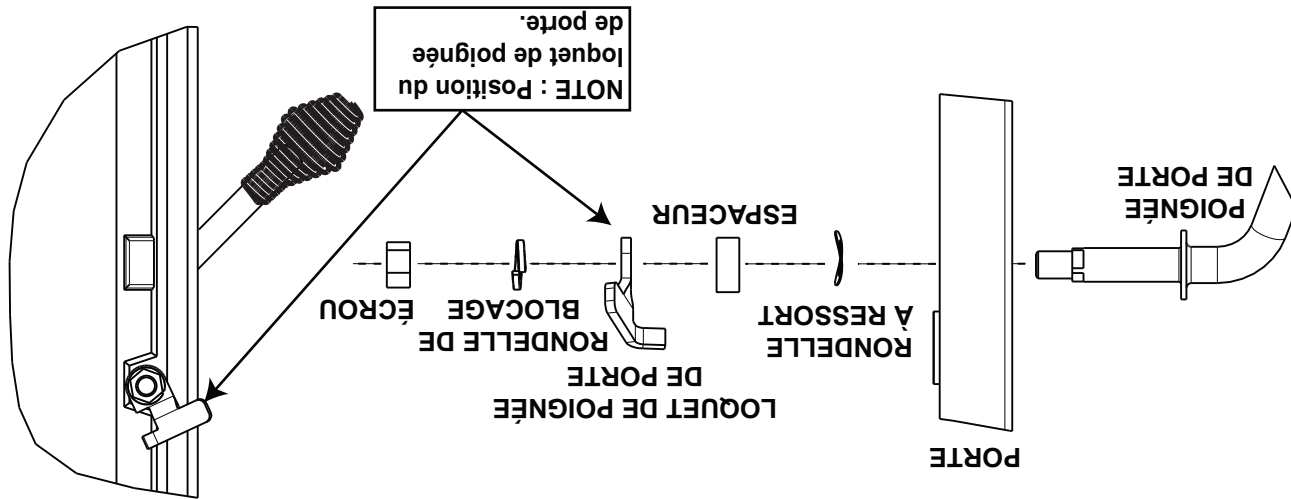


## 5.2 INSTALLATION DE LA PORTE ET DE LA POIGNÉE DE PORTE

<b>⚠ AVERTISSEMENT</b>
FAIRE FONCTIONNER CET APPAREIL AVEC LES PORTES OUVERTES OU ENTROUVERTES CRÉE UN RISQUE D'INCENDIE DE CHEMINÉE OU DU DOMICILE.
NE FRAPPEZ PAS ET NE CLAQUEZ PAS LA PORTE.
N'ENLEVEZ JAMAIS LA PORTE LORSQUE L'APPAREIL EST CHAUD.



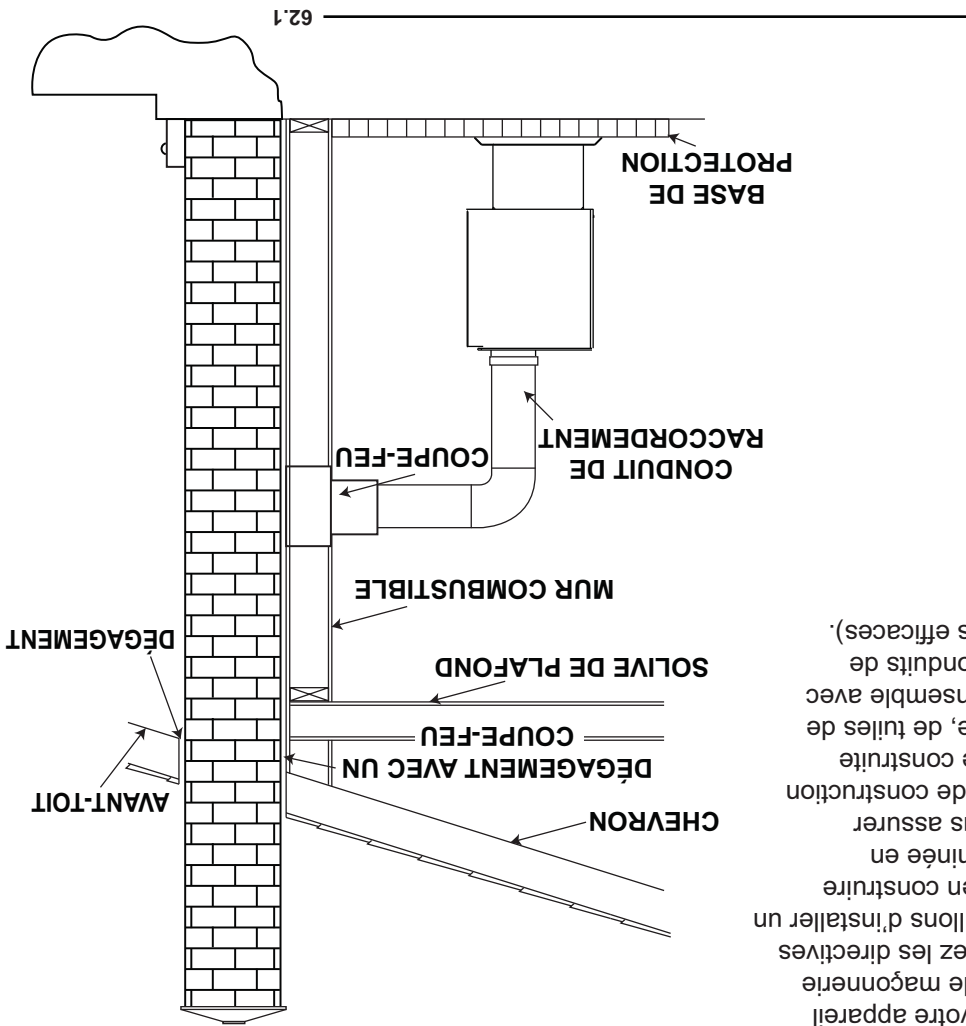
VUE DE FACE

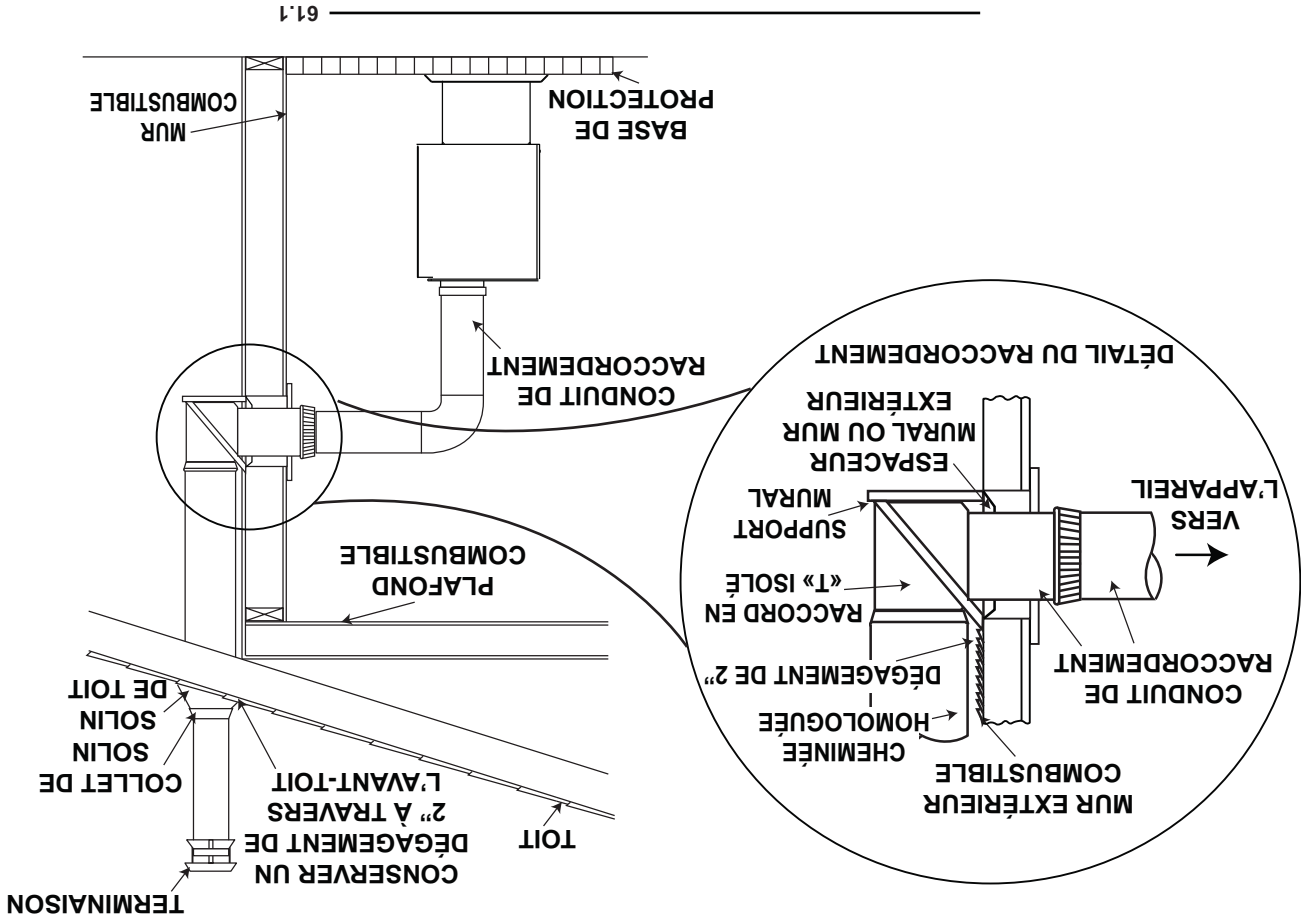


98.1

Vous pouvez aussi installer votre appareil en utilisant votre cheminée de maçonnerie existante. Pour ce faire, suivez les directives suivantes. Nous vous conseillons d'installer un coupe-feu préfabriqué ou d'en construire un. Si vous utilisez une cheminée en maçonnerie, vous devez vous assurer qu'elle réponde aux normes de construction de votre région. Elle doit être construite de briques d'argile réfractaire, de tuiles de métal ou d'argile cimentées ensemble avec du ciment réfractaire. (Les conduits de cheminée ronds sont les plus efficaces).

**4.1.5 INSTALLATION TYPIQUE DANS UNE CHEMINÉE DE MAÇONNERIE EXISTANTE**





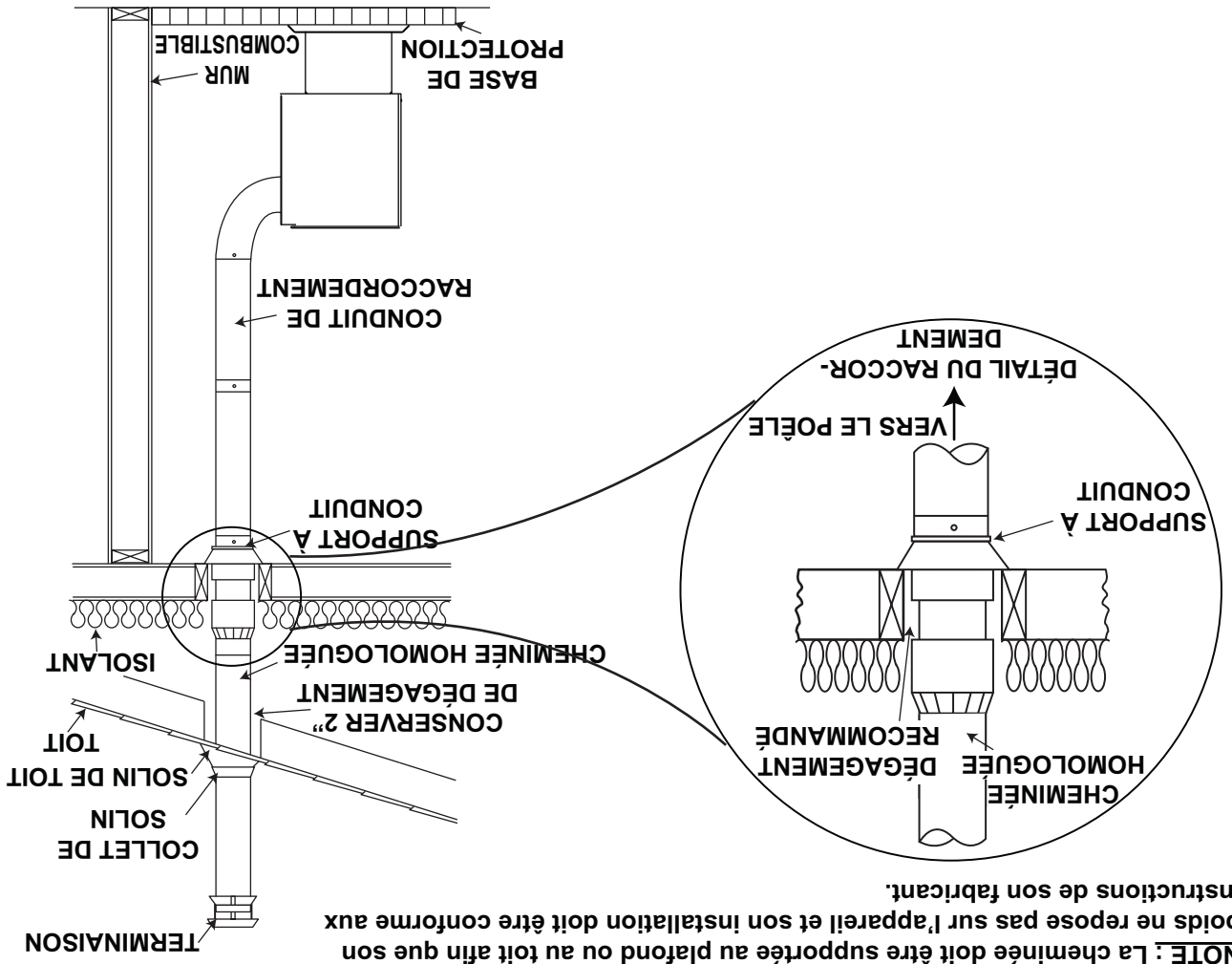
Si possible, l'installation des conduits de raccordement ne doit pas passer à travers un mur combustible. S'il faut absolument passer à travers un mur combustible, consultez votre inspecteur en bâtiment avant de procéder. Consultez aussi le fabricant des conduits de raccordement pour connaître toutes les exigences particulières.

Consultez votre détaillant pour obtenir les composants de raccordement muraux dont vous auriez besoin. N'utilisez que les pièces qui ont été testées et certifiées pour des installations à travers un mur.

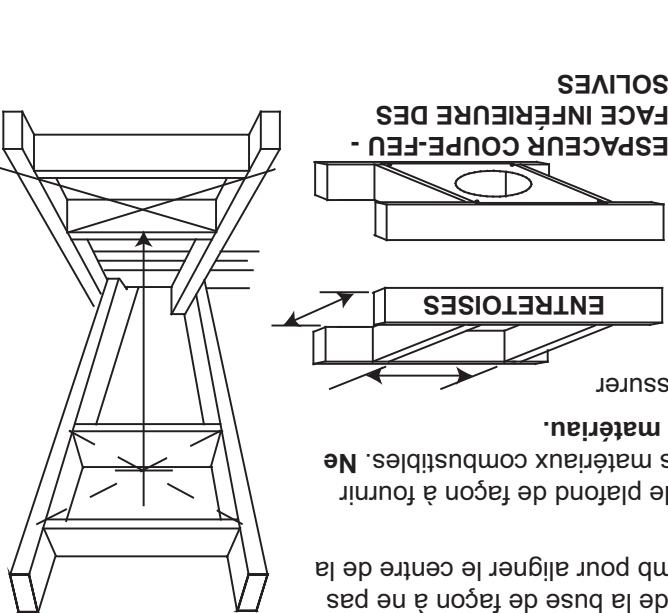
#### 4.1.4 INSTALLATION TYPIQUE À TRAVERS UN MUR



60.1A



**NOTE:** La cheminée doit être supportée au plafond ou au toit afin que son poids ne repose pas sur l'appareil et son installation doit être conforme aux instructions de son fabricant.



**A.** Mettez l'appareil en place. Repérez le centre de la buse de façon à ne pas avoir à couper les solives. Utilisez un fil à plomb pour aligner le centre de la buse.

**B.** Découpez et charpentez une ouverture dans le plafond de façon à fournir un dégagement de 2" entre la cheminée et les matériaux combustibles. **Ne remplissez cet espace avec aucun type de matériau.**

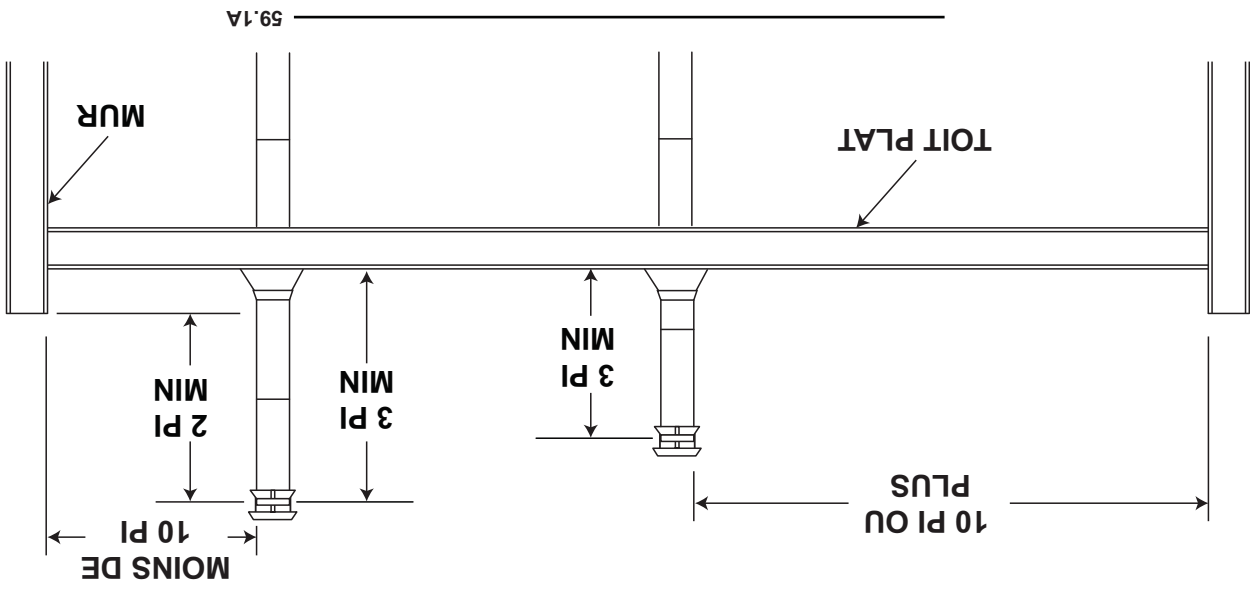
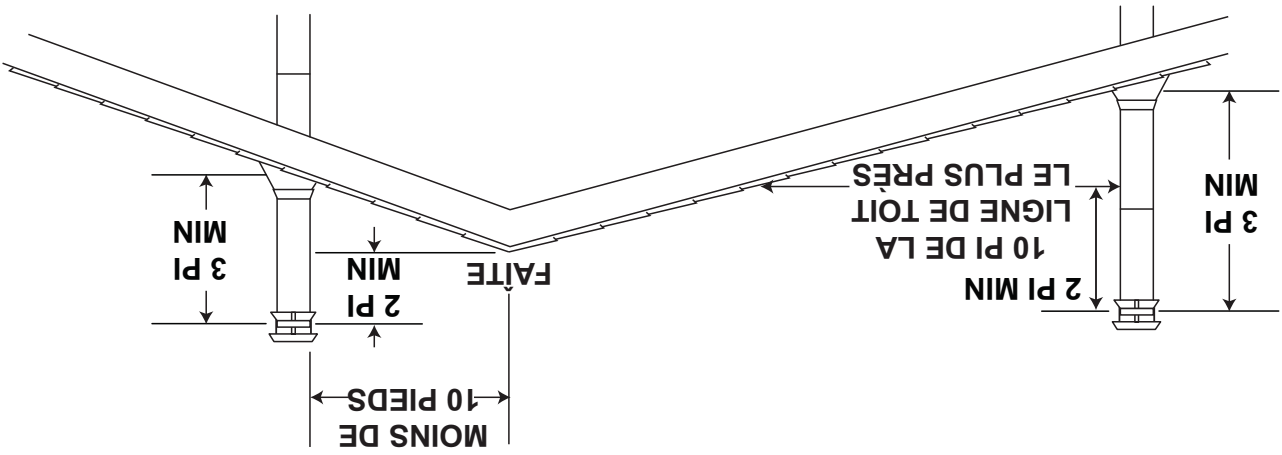
Fixez des entretoises entre les solives pour assurer un support additionnel. Pour tout plancher ou plafond traversés par la cheminée, des espaces coupe-feu doivent être fixés à la base de chaque ouverture charpentée. Si la cheminée traverse le grenier, un écran de protection pour chevrons est requis.

Tenez un fil à plomb à partir du dessous du toit pour déterminer où doit se trouver l'ouverture du toit. Découpez et charpentez une ouverture dans le toit tout en conservant le dégagement de 2 pouces.

### 4.1.3 TYPIQUE À TRAVERS LE PLAFOND

**4.1.2 AJOUT DE SECTIONS**

Ajoutez des sections de cheminée, selon les instructions d'installation des manufacturiers. La cheminée doit dépasser le toit d'au moins 3 pieds de son point de contact avec la toiture, et 2 pieds de tout mur, toit ou édifice se trouvant à l'intérieur d'une distance horizontale de 10 pieds.



## 4.1.1 INSTALLATION DE LA CHEMINÉE

Votre conduit de raccordement et votre cheminée doivent avoir le même diamètre que le tuyau d'échappement de l'appareil. Le tuyau de l'appareil doit être en acier aluminé ou en acier laminé à froid d'une épaisseur mini- male de calibre 24. Il est strictement interdit d'utiliser de l'acier galvanisé.

Un conduit de raccordement à pari simple de 6" de diamètre, servant à raccorder l'appareil à la cheminée, doit être installé avec l'extrémité gautée dans la buse de l'appareil. Ceci permettra à la condensation qui se forme dans le conduit de raccordement de l'appareil de s'écouler dans la chambre de combustion. Chaque joint du conduit de raccordement doit être fixé à l'aide d'au moins trois vis autopercuses.

Les recommandations suivantes pourraient être utiles pour l'installation du conduit de raccordement. Le conduit de raccordement doit être court et droit. Pour une performance optimale, toutes les courses horizontales devraient avoir une élévation minimale de 1/4" par pied et l'extrémité supérieure de la section devrait être dirigée vers la cheminée. Afin d'assurer un fonctionnement sécuritaire et adéquat de l'appareil, consultez les instructions de la section « INSTALLATION ».

Pour assurer un tirage adéquat, la longueur horizontale du conduit ne doit jamais dépasser 8 à 10 pieds. Dans le cas d'une installation verticale, la longueur totale du conduit peut être plus longue et le raccordement à la cheminée peut être fait sans problème au niveau du plafond.

Un système de conduits ne devrait jamais avoir plus que deux coudes de 90°. Avant d'utiliser un coude de 90°, installez une section verticale d'au moins deux pieds à partir de la buse.

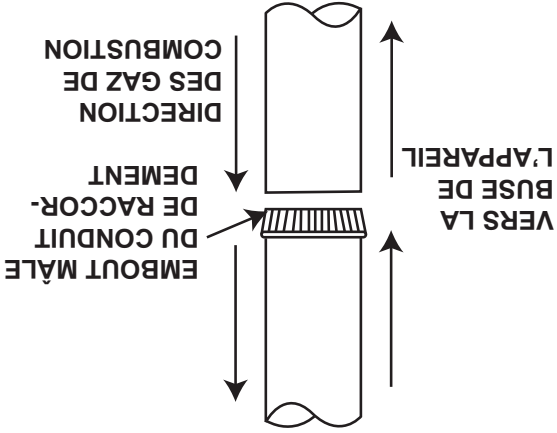
Le conduit ne doit pas passer dans un matériel combustible ou un espace fermé (tels un grenier, un entretoit ou un placard). S'il passe à travers un mur, un plafond ou dans une cheminée de maçonnerie, utilisez soit des composants de cheminée conçus pour cet usage, ou des moyens acceptables de l'autorité compétente locale.

### Cet appareil doit être raccordé à :

**A.** Une cheminée qui se conforme aux exigences des cheminées préfabriquées de type HT résidentiel ou

**B.** Une cheminée en maçonnerie avec chemisage

intégral conforme aux codes et aux exigences. Ventilez le poêle dans une cheminée de maçonnerie ou dans une cheminée isolée en acier inoxydable certifiée. Le tuyau de raccordement de 6" de diamètre doit être aussi court et aussi droit que possible. Le raccordement à la cheminée de maçonnerie doit se faire à l'aide d'un manchon métallique ou de maçonnerie cimentée en place.



58.1A

**AVERTISSEMENT**

NE JAMAIS INSTALLER UN CONDUIT DE RACCORDEMENT À PAROI SIMPLE DANS UNE ENCEINTE. LES TEMPÉRATURES PLUS ÉLEVÉES DE CE CONDUIT PEUVENT IRRADIER SUFFISAMMENT DE CHALEUR AUX MATÉRIEAUX COMBUSTIBLES POUR CAUSER UN INCENDIE.

NE RACCORDEZ PAS CET APPAREIL AU CONDUIT D'UNE CHEMINÉE DESSERVANT UN AUTRE APPAREIL.

POUR ÉVITER LE RISQUE D'INCENDIE, VOUS DEVEZ SUIVRE TOUTES LES INSTRUCTIONS À LA LETTRE, INCLUANT LES DÉGAGEMENTS ENTRE LE SYSTÈME DE CONDUITS ET L'ENCEINTE. AFIN DE PROTÉGER LES PIÈCES EXPOSÉES AUX INTÉMPÉRIES CONTRE LA CORROSION, NOUS CONSEILLONS QUE LE DESSUS DE L'ENCEINTE SOIT PEINT AVEC UNE PEINTURE ANTIROUILLE.

NE REMPLISSEZ AUCUN ESPACE CHARPENTE AUTOUR DU CONDUIT AVEC DE L'ISOLANT OU TOUT AUTRE MATÉRIAU. L'ISOLANT POSÉ DANS CET ESPACE POURRAIT CAUSER LES MATÉRIEAUX COMBUSTIBLES AVOISINANTS À SURCHAUFFER.

CONSERVEZ UN DÉGAGEMENT MINIMAL DE 2" À TOUTES LES PIÈCES DU SYSTÈME DE CONDUITS EN TOUT TEMPS. OMETTRE DE CONSERVER CE DÉGAGEMENT DE 2" CAUSERA UN INCENDIE. NE REMPLISSEZ CET ESPACE AVEC AUCUN TYPE DE MATÉRIAU.

DES INSTRUCTIONS DÉTAILLÉES SUR L'INSTALLATION DU DESSUS DE L'ENCEINTE, DU COLLET DE SOLIN ET DU CHAPEAU SONT INCLUSES AVEC CES PIÈCES.

NE COUPEZ PAS DE CHEVRONS NI DE SOLIVES DE PLAFOND SANS AVOIR CONSULTÉ AU PRÉALABLE LES AUTORITÉS EN BÂTIMENT POUR VOUS ASSURER QUE L'INTÉGRITÉ DE LA STRUCTURE N'EST PAS COMPROMISE.

DES ESPACEURS COUPE-FEU DOIVENT ÊTRE UTILISÉS LORSQUE LE SYSTÈME DE CONDUITS TRAVERSE UN PLAFOND/PLANCHER.

LA LONGUEUR TOTALE DE LA COURSE HORIZONTALE NE DEVRAIT PAS EXCÉDER 40 % DE LA HAUTEUR DE LA CHEMINÉE À PARTIR DU DESSUS DU POÊLE. TOUTES LES COURSES HORIZONTALES DOIVENT AVOIR UNE PENTE MINIMALE VERS LE HAUT DE 1/4" PAR PIED ET TOUTES LES RACCORDEMENTS DOIVENT ÊTRE SCÉLÉS ET FIXÉS PAR TROIS VIS AUTOPERCEUSES ESPACÉES ÉGALEMENT. UN TUYAU DE RACCORDEMENT NON ISOLÉ NE DOIT PAS TRAVERSER UN GRENIER, UN ENTRETOIT, UN PLACARD OU AUTRE ENDROIT DISSIMULÉ, OU TRAVERSER UN PLANCHER, UN PLAFOND, UN MUR OU UNE CLOISON, OU TOUTE AUTRE CONSTRUCTION COMBUSTIBLE.


**N'UTILISEZ AUCUN MATÉRIAU DE FORTUNE DURANT L'INSTALLATION.**

63.8

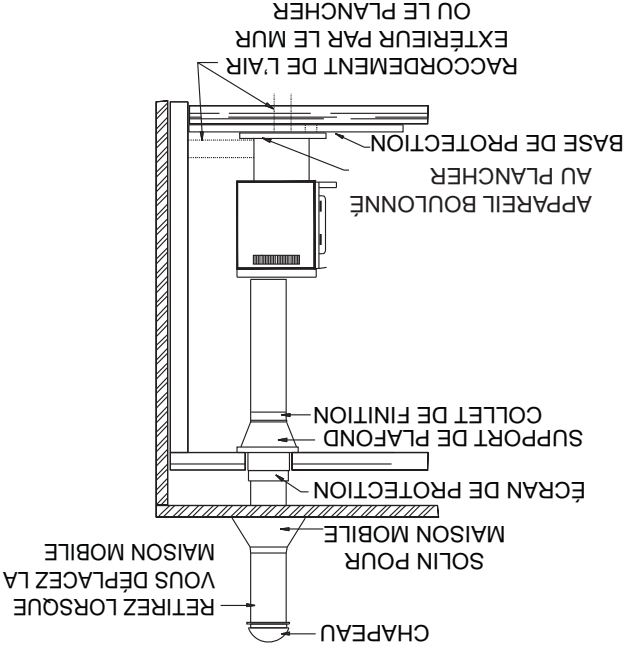
63.8  
 Votre appareil peut être raccordé à une cheminée de maçonnerie ou préfabriquée. Si vous utilisez une cheminée préfabriquée, elle doit se conformer aux normes ULCS629 (au Canada) ou UL103 (É.-U.), être de type HT (2100 °F) et avoir un diamètre de 6". N'utilisez que les composants spécifiés sans aucun substitut. Il est extrêmement important que la cheminée soit installée selon les spécifications du fabricant. Les directives d'installations du fabricant et les dégagements spécifiés doivent toujours être respectés en fonction des normes locales et nationales. Conformez-vous aux codes d'installation CSA B365 et CSA C22.1 au Canada et aux codes ANSI NFPA 70 et ANSI NFPA 211 aux États-Unis.

La cheminée et le conduit de raccordement doivent être gardés en bonne condition et propres.

# 4.0 INSTALLATION

 <b>AVERTISSEMENT</b>
<p>PORTER DES GANTS ET DES LUNETTES DE PROTECTION.</p>
<p>SUIVEZ ATTENTIVEMENT LES INSTRUCTIONS POUR L'ASSEMBLAGE DE LA CHEMINÉE ET DES AUTRES COMPOSANTS NÉCESSAIRES À L'INSTALLATION DE L'APPAREIL. TOUTE OMISSION POURRAIT CAUSER UN INCENDIE, PARTICULIÈREMENT SI DES MATÉRIAUX COMBUSTIBLES SONT TROP PRÈS DE L'APPAREIL OU DE LA CHEMINÉE ET QUE DES OUVERTURES D'AIR SONT BLOQUÉES, EMPÊCHANT LA LIBRE CIRCULATION DE L'AIR DE REFROIDISSEMENT.</p>
<p>N'INSTALLEZ PAS LA PRISE D'AIR EXTÉRIEUR DANS LE GARAGE. LES PRODUITS D'ÉCHAPPEMENT PROVENANT DES MOTEURS À ESSENCE SONT DANGEREUX.</p> <p>N'INSTALLEZ PAS LA PRISE D'AIR EXTÉRIEUR DANS UN GRENIER, UN SOUS-SOL OU AU-DESSUS DU TOIT OU D'AUTRES APPAREILS DE CHAUFFAGE, DES VENTILATEURS ET DES CHEMINÉES ÉVACUENT OU TIRENT DE L'AIR. CES MESURES RÉDUIRONT LES POSSIBILITÉS DE REFOULEMENT DE FUMÉE OU UNE INVERSION DU DÉBIT D'AIR. L'ENTRÉE DE LA PRISE D'AIR DOIT DEMEURER DÉGAGÉE DE FEUILLES, DE DÉBRIS, DE GLACE OU DE NEIGE. ELLE DOIT ÊTRE DÉGAGÉE LORSQUE L'APPAREIL FONCTIONNE AFIN QUE LA PIÈCE NE SOIT PAS PRIVÉE D'AIR, CE QUI PEUT CAUSER DES REFOULEMENTS DE FUMÉE OU UNE INCAPACITÉ À MAINTENIR UN FEU. LES REFOULEMENTS DE FUMÉE PEUVENT AUSSI DÉCLENCHER LES DÉTECTEURS DE FUMÉE.</p>
<p>UNE PRESSION NÉGATIVE DANS LA MAISON POURRAIT NUIRE AU RENDEMENT DE L'APPAREIL. AFIN D'ÉVITER TOUT CONTACT AVEC DE L'ISOLANT QUI S'AFFAÏSSÉ, L'APPAREIL NE DOIT PAS ÊTRE INSTALLÉ CONTRE UN COUPE-VAPEUR OU DE L'ISOLANT À DÉCOUVERT. UNE SURCHAUFFE LOCALISÉE PEUT SURVENIR ET UN INCENDIE POURRAIT S'ENSUIVRE.</p>
<p>N'UTILISEZ PAS DE COMPROMIS DE FORTUNE LORS DE L'INSTALLATION. N'OBSTRUEZ PAS, ENTIÈREMENT NI PARTIELLEMENT, LES OUVERTURES D'AIR, LES GRILLES OU LES PERSIENNES. N'AJOUTEZ PAS DE HOTTE.</p>
<p>GARDEZ VOS OUTILS À MAIN EN BON ÉTAT, AFFÛTEZ LES TRANÇHANTS ET ASSUREZ-VOUS QUE LES MANCHES SONT SOLIDES.</p>
<p>EN TOUT TEMPS, CONSERVEZ L'ESPACE VIDE MINIMAL REQUIS À L'ENCEINTE AFIN DE PRÉVENIR LES INCENDIES.</p>

68.3A



L'appareil doit être installée entre les solives de plafond en utilisant un écran de protection et un solin de toit. Ainsi, pour que la solidité de l'ossature, l'isolation et l'imperméabilité de la maison ne seront pas compromises. Scellez avec de la silicone pour maintenir une barrière de vapeur à la cheminée et aux ouvertures par lesquelles pénètrent les conduits d'air extérieur.

Le modèle 1100 est homologué pour installation dans les maisons mobiles au Canada et aux États-Unis. Les modèles 1150 et 1900 ne sont pas approuvés pour les maisons mobiles. Les modèles 1400 et 1450 sont homologués pour installation dans les maisons mobiles aux États-Unis uniquement. La base du piedestal doit être fermement boulonnée au plancher à l'aide de tire-fonds de 1/4". Pour connaître les dégagements spécifiques, voir la section « DÉGAGEMENTS MINIMAUX AUX MATÉRIEAUX COMBUSTIBLES ».

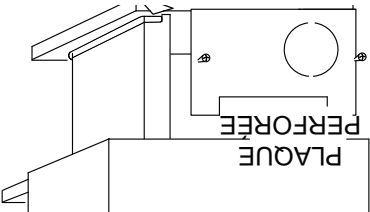
<b>AVERTISSEMENT</b>	
N'INSTALLEZ PAS CET APPAREIL DANS UNE CHAMBRE À COUCHER.	
N'INSTALLEZ PAS CET APPAREIL DE FAÇON À COMPROMETTRE L'INTÉGRITÉ STRUCTURALE DU PLANCHER, DES MURS, DU PLAFOND OU DU TOIT DE LA MAISON MOBILE.	
L'APPAREIL DOIT ÊTRE APPROVISIONNÉ EN AIR COMBURANT EXTÉRIEUR.	
L'APPAREIL DOIT ÊTRE BOULONNÉ AU PLANCHER.	
INSTALLEZ CONFORMÉMENT À LA NORME 24 CFR, PART 3280 (HUD).	
UTILISEZ UNE CHEMINÉE DE TYPE UL 103HT OU ULC S-629 (2100 °F) CERTIFIÉE POUR LA COMBUSTION DU BOIS.	

### 3.6 MAISON MOBILE

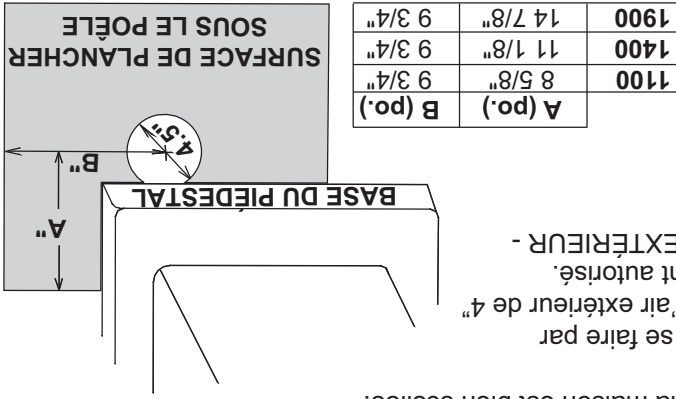
**NOTE:** La prise d'air extérieur sur le modèle 1450 ne peut être branchée que sur la plaque arrière du piedestal. Le branchement en dessous du piedestal n'est pas possible.

Fixez la plaque perforée (située dans le tiroir à cendres pour fin de livraison).

Le raccordement de la prise d'air de l'appareil sur l'extérieur n'est obligatoire que pour les maisons mobiles. Le raccordement peut se faire par une ouverture dans le mur, alignée avec la plaque perforée à l'arrière du piedestal, ou par une ouverture dans le plancher, alignée avec l'ouverture dans la base du piedestal. Utilisez un ensemble de prise d'air extérieur. Fixez le conduit d'aluminium de 4" de diamètre en évasant l'extrémité, une fois que le conduit a été inséré dans l'ouverture de 4 1/2" dans la base ou l'arrière du piedestal. Si la prise d'air traverse le plancher, l'ouverture en arrière du piedestal doit être recouverte d'une plaque de métal afin d'empêcher l'air froid de se répandre dans la pièce. Une plaque de recouvrement est disponible chez votre détaillant Wolf Steel Itée. Évitez de sectionner les solives de plancher, les montants muraux, les câbles électriques ou les éléments de plomberie. Pour prévenir les courants d'air, scellez le contour du conduit d'air extérieur avec de l'isolant.



### 3.5.1 PRISE D'AIR EXTÉRIEUR - MAISON MOBILE



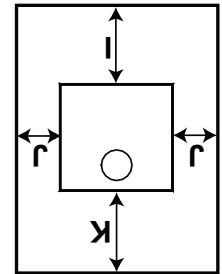
Le raccordement de la prise d'air sur l'extérieur peut se faire par l'arrière ou par la base du pedestal avec une prise d'air extérieur de 4" (100 mm) de diamètre disponible chez votre détaillant autorisé. Suivez les instructions de la section « PRISE D'AIR EXTÉRIEUR - MAISON MOBILE ».

- Les fenêtres de la maison sont étanches ou la maison est bien scellée.
  - D'autres appareils évacuent l'air de la maison.
  - Un système de ventilation est installé dans la maison.
  - Les conditions mentionnées ci-dessus semblent s'améliorer en ouvrant une fenêtre.
  - En hiver, les fenêtres présentent une condensation excessive.
  - Lors de la combustion, le bois brûle mal, de la fumée s'échappe, des retoulements se produisent et le tirage est irrégulier.
- Les conditions suivantes indiquent qu'un ensemble de prise d'air extérieur pourrait être nécessaire :

**AVERTISSEMENT**

**SI LA PIÈCE EST PRIVÉE D'AIR PARCE QUE LA PRISE D'AIR EXTÉRIEUR EST OBSTRUÉE PAR DE LA GLACE, DES FEUILLES, ETC. OU PARCE QUE LA PORTE DE L'APPAREIL EST DEMURÉE OUVERTE OU QU'UN VENTILATEUR PUISSANT EST EN MARCHÉ, ETC., DES VAPEURS ET DES FUMÉES DAN-GEREUSES POURRAIENT ÊTRE ASPIRÉES DANS LA PIÈCE.**

### 3.5 AIR EXTÉRIEUR



PROTECTION MINIMALE DU PLANCHER		
AVANT (I)	CÔTÉS (J)	ARRIÈRE (K)
CANADA	18"	8"
É.-U.	16"	8"

**NOTE :** Si une section de conduit de raccordement horizontal est utilisée, la protection de plancher doit se prolonger sous le conduit de raccordement et 2" de chaque côté.

Un appareil installé sur un plancher combustible doit être placé sur une base de protection incombustible certifiée. Cette base doit se prolonger de 8" sur les côtés et l'arrière de l'appareil et de 18" sur le devant. Un dégagement réduit à l'arrière de l'appareil peut faire en sorte que la base de protection ne dépasse pas l'appareil de 8".

### 3.4 PROTECTION DU PLANCHER

# 3.0 PRÉPARATION AVANT L'INSTALLATION

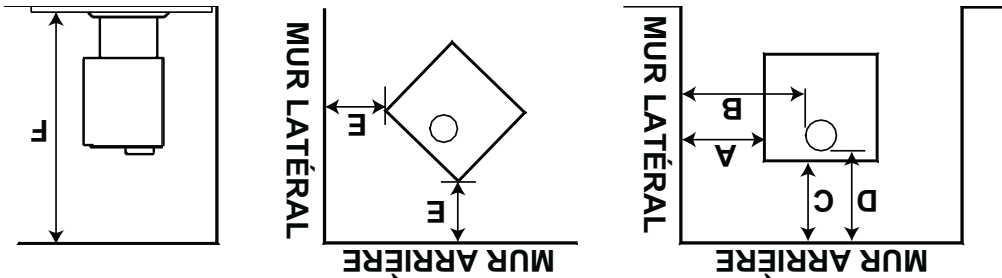
## 3.1 INSTALLATION DE L'APPAREIL

Faites installer votre poêle par un détaillant autorisé. Si vous l'installez vous-même, faites vérifier vos plans d'installation et/ou l'installation par votre détaillant.  
 Élaborez un plan détaillé de l'installation en y incluant les dimensions puis vérifiez les dimensions avec les exigences énoncées dans ce manuel.  
 Pour les encintes d'encastrement, lorsque vous déterminez l'emplacement du poêle, localisez les montants du mur (pour des évacuations horizontales). Vous devrez ajuster la position du poêle afin que l'évent ne passe pas au même niveau qu'une pièce de charpente. Le poêle doit être positionné de façon à ce qu'aucun article combustible soit placé, ou puisse pivoter (p. ex. rideaux, portes) à moins de 48" de la face vitrée du poêle.

67.1A

## 3.2 DÉGAGEMENTS AUX MATÉRIAUX COMBUSTIBLES

**AVERTISSEMENT**  
 N'INSTALLEZ PAS L'APPAREIL DANS UN ESPACE AYANT MOINS DE 7 PIEDS DE HAUTEUR (DU PLAFOND DE L'ENCENTE AU BAS DE L'APPAREIL, EXCLUANT LA HAUTEUR DE LA BASE DE PROTECTION).



## CONDUIT DE RACCORDEMENT À PAROI SIMPLE

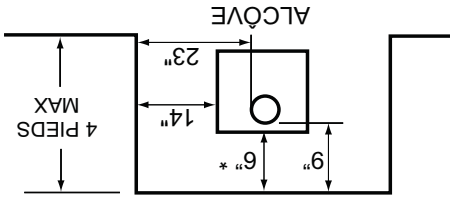
CONDUIT DE RACCORDEMENT À PAROI DOUBLE	CONDUIT DE RACCORDEMENT À PAROI SIMPLE	CONDUIT DE RACCORDEMENT À PAROI SIMPLE	CONDUIT DE RACCORDEMENT À PAROI SIMPLE	CONDUIT DE RACCORDEMENT À PAROI SIMPLE	CONDUIT DE RACCORDEMENT À PAROI SIMPLE	CONDUIT DE RACCORDEMENT À PAROI SIMPLE
1900	1400 / 1450	1400 / 1450	1400 / 1450	1400 / 1450	1400 / 1450	1400 / 1450
1100	1100	1100	1100	1100	1100	1100
1400 / 1450	1400 / 1450	1400 / 1450	1400 / 1450	1400 / 1450	1400 / 1450	1400 / 1450
1900	1900	1900	1900	1900	1900	1900
10"	10"	10"	10"	10"	10"	10"
10"	10"	10"	10"	10"	10"	10"
22"	22"	22"	22"	22"	22"	22"
21"	21"	21"	21"	21"	21"	21"
21"	21"	21"	21"	21"	21"	21"
MUR DE CÔTÉ À LA BUSE (B)	MUR DE CÔTÉ À LA BUSE (B)	MUR DE CÔTÉ À LA BUSE (B)	MUR DE CÔTÉ À LA BUSE (B)	MUR DE CÔTÉ À LA BUSE (B)	MUR DE CÔTÉ À LA BUSE (B)	MUR DE CÔTÉ À LA BUSE (B)
10"	10"	10"	10"	10"	10"	10"
12"	12"	12"	12"	12"	12"	12"
12"	12"	12"	12"	12"	12"	12"
MUR ARRIÈRE (C)	MUR ARRIÈRE (C)	MUR ARRIÈRE (C)	MUR ARRIÈRE (C)	MUR ARRIÈRE (C)	MUR ARRIÈRE (C)	MUR ARRIÈRE (C)
6"	6"	6"	6"	6"	6"	6"
6"	6"	6"	6"	6"	6"	6"
13"	13"	13"	13"	13"	13"	13"
MUR ARRIÈRE À LA BUSE (D)	MUR ARRIÈRE À LA BUSE (D)	MUR ARRIÈRE À LA BUSE (D)	MUR ARRIÈRE À LA BUSE (D)	MUR ARRIÈRE À LA BUSE (D)	MUR ARRIÈRE À LA BUSE (D)	MUR ARRIÈRE À LA BUSE (D)
16.5"	16.5"	16.5"	16.5"	16.5"	16.5"	16.5"
16.5"	16.5"	16.5"	16.5"	16.5"	16.5"	16.5"
COIN (E)	COIN (E)	COIN (E)	COIN (E)	COIN (E)	COIN (E)	COIN (E)
6"	6"	6"	6"	6"	6"	6"
6"	6"	6"	6"	6"	6"	6"
84"	84"	84"	84"	84"	84"	84"
PLAFOND (F)	PLAFOND (F)	PLAFOND (F)	PLAFOND (F)	PLAFOND (F)	PLAFOND (F)	PLAFOND (F)
84"	84"	84"	84"	84"	84"	84"

Tous les dégagements peuvent être réduits lorsqu'une protection acceptable par les autorités locales est utilisée. Les installations avec des dégagements réduits doivent se conformer aux normes NFPA211 ou CAN/CSA-B365. Les dégagements ne peuvent être réduits pour le 1150 avec un conduit de raccordement à double paroi.

## 3.3

## INSTALLATION DANS UNE ALCÔVE

Seuls les appareils de la série 1100 peuvent être installés en utilisant un conduit de raccordement à double paroi certifié. Ce conduit pourrait être de type Security DL6 au Canada ou Simpson Duravent Plus DVL aux États-Unis ou l'équivalent d'un conduit de raccordement à double paroi. L'installation doit se faire dans une alcôve d'au moins 7 pieds de hauteur et d'au plus 4 pieds de profondeur. Les dégagements minimaux sont tels qu'illustrés.





# 2.5 INFORMATION SUR LA PLAQUE D'HOMOLOGATION

Pour l'emplacement de la plaque d'homologation, voir la section « VUE D'ENSEMBLE DE L'INSTALLATION ».

Cette illustration est à titre de référence seulement.

Consultez la plaque d'homologation pour obtenir l'information précise.

**LISTED SOLID FUEL BURNING SPACE HEATER / POÊLE À COMBUSTIBLE SOLIDE HOMOLOGUÉ**  
**TESTED TO: / TESTÉ SELON : UL 1482 / ULC 8627**

MODEL / MODÈLE - EPA 1400

4001659 (WUSA)	■
4001658 (NAC)	■
4001657 (NGZ)	■
9700539 (WSL)	■
15982	■

Intertek



INSTALL AND USE ONLY IN ACCORDANCE WITH THE MANUFACTURER'S INSTRUCTIONS AND LOCAL BUILDING CODES.

FOR INSTALLATION AND USAGE, SEE LOCAL BUILDING CODES.

NE PAS INSTALLER NI UTILISER SAUF EN CONFORMITÉ AVEC LES RÈGLES D'ÉDIFICATION EN VIGUEUR LOCALES.

Pour l'installation et l'utilisation, voir les codes de construction locaux.

INSTALLATION AND USE ONLY IN ACCORDANCE WITH THE MANUFACTURER'S INSTRUCTIONS AND LOCAL BUILDING CODES.

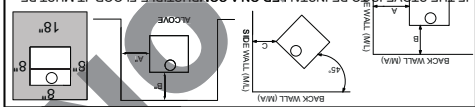
NE PAS INSTALLER NI UTILISER SAUF EN CONFORMITÉ AVEC LES RÈGLES D'ÉDIFICATION EN VIGUEUR LOCALES.

Pour l'installation et l'utilisation, voir les codes de construction locaux.

INSTALLATION AND USE ONLY IN ACCORDANCE WITH THE MANUFACTURER'S INSTRUCTIONS AND LOCAL BUILDING CODES.

NE PAS INSTALLER NI UTILISER SAUF EN CONFORMITÉ AVEC LES RÈGLES D'ÉDIFICATION EN VIGUEUR LOCALES.

Pour l'installation et l'utilisation, voir les codes de construction locaux.



**DOUBLE PAROI**

A. 101N/PO (254 mm)  
 B. 61N/PO (152 mm)  
 C. 41N/PO (102 mm)

**RESIDENTIAL / RÉSIDENIEL**

A. 121N/PO (305 mm)  
 B. 61N/PO (152 mm)  
 C. 41N/PO (102 mm)

1400

DOUBLE PAROI

A. 101N/PO (254 mm)  
 B. 61N/PO (152 mm)  
 C. 41N/PO (102 mm)

**MAISON / MOBILE HOME**

1400

A. 101N/PO (254 mm)  
 B. 61N/PO (152 mm)  
 C. 41N/PO (102 mm)

1400

**LISTED SOLID FUEL BURNING FIREPLACE INSERT / ENCASTRE À COMBUSTIBLE SOLIDE HOMOLOGUÉ**  
**TESTED TO: / TESTÉ SELON :**

ULC 8628 / UL 1482

EPI 1402

**CHANGEMENTS TO COMBUSTIBLE CONSTRUCTION / CHANGEMENTS AUX MATÉRIAUX COMBUSTIBLES:**

IMPROVED TO UNIT / À PARTIR DE L'APPAREIL

11N/PO (25mm) \*  
 28N/PO (710mm)  
 28N/PO (710mm)  
 17N/PO (430mm)  
 17N/PO (430mm)

A TOP FACING / CÔTE  
 B SIDE WALL / MUR LATÉRAL  
 C MANTLE / TABLETTE  
 D SIDE WALL / MUR LATÉRAL

FLOOR / PLANCHER  
 CEILING / PLAFOND

11N/PO (25mm) \*  
 28N/PO (710mm)  
 28N/PO (710mm)  
 17N/PO (430mm)  
 17N/PO (430mm)

**CAUTION / ATTENTION**

**HOT WHILE IN OPERATION. DO NOT TOUCH. KEEP CHILDREN, CLOTHING AND FURNITURE AWAY. CONTACT MAY CAUSE SKIN BURNS.**

**QUAND L'APPAREIL FONCTIONNE, LA SURFACE DEVIENT CHAUDE. NE PAS TOUCHER, TENIR LES ENFANTS, LES VÊTEMENTS ET LES MEUBLES À L'ÉCART. LE CONTACT PEUT CAUSER DES BRÛLURES À LA PEAU.**

**U.S. Environmental Protection Agency Certified to comply with July 1990: 40 CFR Part 60, Subpart AA**


**EPA1400**

DATE CODE / DE DATE

W385-0401 / K

24 NAPOLÉON ROAD, BARRIE, ON, L4M 0G8 CANADA

**WOLF STEEL LTD.**



# PLAQUE D'HOMOLOGATION DE LA SÉRIE 1400 ILLUSTRÉE

## NE PAS UTILISER CET APPAREIL SANS QUE LE PIEDestal SOIT INSTALLÉ.

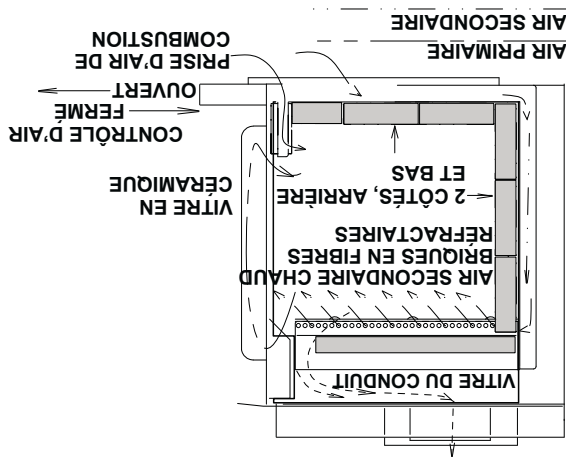
### ! AVERTISSEMENT

Votre appareil a été conçu afin de répondre spécifiquement aux exigences des normes d'émissions de particules de l'E.P.A. américaine de 1990 et a subi un nombre considérable de tests dans des laboratoires canadiens et américains. Ce système est le plus efficace, le plus simple et sans problème connu; il fonctionne comme suit :

Pour favoriser la circulation adéquate des produits d'échappement, le système d'évacuation de la cheminée de l'appareil au bois doit être conçu de façon à minimiser les déviations. Les systèmes d'évacuation trop courts ou trop longs peuvent nuire à la circulation des produits d'échappement. L'appareil au bois et le système d'évacuation de la cheminée doivent bénéficier d'un apport d'air comburant suffisant, non seulement pour alimenter la flamme dans la chambre de combustion, mais aussi pour favoriser un tirage adéquat. Un bon équilibre entre l'air comburant et le système d'évacuation de la cheminée optimisera la performance de votre appareil.

L'air comburant entre par deux ouvertures dans le plancher de l'appareil qui peuvent être ajustées par un contrôle de combustion. L'air pénètre par l'ouverture avant et s'engage de chaque côté de la porte pour rejoindre un col-

lecteur de préchauffement installé au sommet de la chambre de combustion. L'air descend ensuite le long de la vitre pour alimenter le feu et aussi assurer que la vitre demeure propre. L'air provenant de cette ouverture pénètre aussi directement dans la chambre de combustion au niveau de l'âtre. L'air secondaire pénètre par l'ouverture arrière, monte par l'arrière le long du tube d'air secondaire jusqu'au collecteur installé au sommet où l'air est propulsé latéralement pour oxyder les gaz sous la sortie de fumée. La chambre de combustion inférieure est revêtue de briques réfractaires à haute température sur deux côtés, l'arrière et le plancher. Le plafond est revêtu de déflecteurs en fibre afin de maintenir une température élevée dans la chambre de combustion. Ainsi, les gaz qui se mélangent à l'air préchauffé dans le tuyau d'air secondaire s'allument et brûlent facilement. Les côtés et l'arrière de l'appareil sont munis d'une deuxième paroi de façon à diriger la chaleur vers le haut et vers l'avant dans la pièce.



Assurez-vous qu'il y ait suffisamment d'air comburant. Dans la maison, beaucoup d'appareils doivent se partager l'air disponible, tels : les hottes de cuisinière, les systèmes de chauffage à air pulsé ou les ventilateurs de salle de bain.

Les bruits causés par l'expansion et la contraction lors des cycles de chauffage et de refroidissement sont tout à fait normaux et il faut s'y attendre.

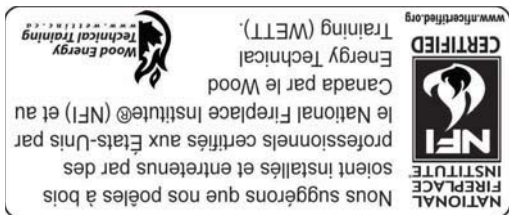
Après de longues périodes sans utiliser l'appareil, telles qu'à la suite de vacances ou à la fin de l'été, il se peut qu'une légère odeur se dégage pendant quelques heures. Ceci est causé par des particules de poussière brûlant sur la chambre de combustion. Ouvrez une fenêtre afin d'aérer à pièce de manière suffisante.

### AVERTISSEMENT - PROPOSITION 65 DE LA CALIFORNIE :

L'utilisation de cet appareil peut produire de la fumée qui contient des substances chimiques qui, selon l'État de Californie, causeraient le cancer, des malformations congénitales ou autres dangers pour la reproduction.


Si vous utilisez la prise d'air extérieur de votre appareil, vous ne devriez jamais manquer d'air comburant. Si vous choisissez de ne pas utiliser cette prise d'air extérieur et que vous avez des problèmes de tirage ou de fumée, vous devrez ouvrir une fenêtre ou une porte.

Pour vous assurer que la chute à cendres est complètement fermée, assurez-vous que la porte se ferme avec un bruit sec, déloguant ainsi tout ce qui pourrait être coincé dans l'ouverture (cendres, morceaux de charbon).



- Avant d'installer cet appareil, contactez les autorités locales en bâtiment ou le service des incendies et votre compagnie d'assurance afin de vous conformer à leurs directives.
- De la fumée non toxique émanera de l'appareil lors du processus de cuisson de la peinture. Ouvrez une fenêtre à proximité de l'appareil pour aider à dissiper la fumée.
- Enlevez la poussière ou les débris sur le dessus de l'appareil avant de l'allumer car la peinture ramollira pendant que l'appareil se réchauffe et durcira pendant le processus de cuisson. Pour cuire la peinture, faites brûler l'appareil à feu modéré durant les quelques premiers allumages.
- Pour empêcher le joint d'étanchéité de coller à l'appareil lors de la cuisson de la peinture, ouvrez la porte de l'appareil toutes les 5-10 minutes.
- Durant les deux premières semaines, faites brûler l'appareil avec beaucoup de bois et ouvrez le contrôle de combustion au maximum pendant une heure pour permettre à l'appareil d'éliminer toute humidité dans l'acier et les briques rétractables. La production de chaleur initiale sera réduite alors que l'humidité est chassée de l'appareil. Il sera nécessaire de faire plusieurs feux chauds pour éliminer cette humidité. **LORS DE CE PROCESSUS, NE SURCHAUFFEZ PAS L'APPAREIL. RÉDUISEZ L'APPORT D'AIR À L'APPAREIL SI CELUI-CI OU LA CHEMINÉE DEVIENNENT ROUGEoyANTS.**

4.7

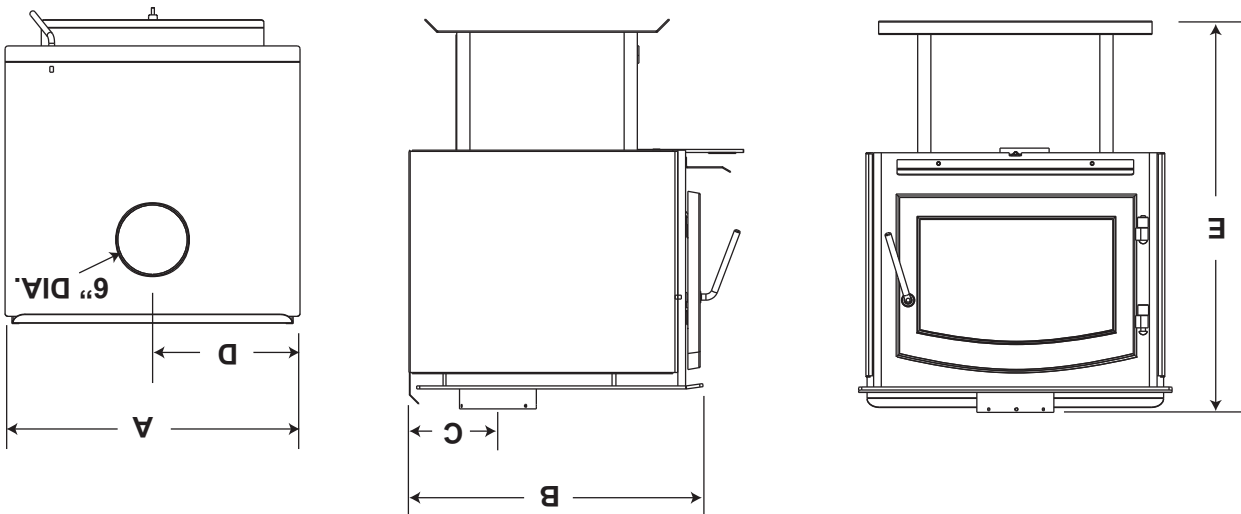
 <b>AVERTISSEMENT</b>
<p><b>CET APPAREIL DOIT ÊTRE RACCORDÉ ÉLECTRIQUEMENT PAR UN ÉLECTRICIEN QUALIFIÉ CONFORMÉMENT AUX CODES LOCAUX. EN L'ABSENCE DE CODES LOCAUX, UTILISEZ LA VERSION COURANTE DU CODE CANADIEN DE L'ÉLECTRICITÉ CSA C22.1 (AU CANADA) OU LE NATIONAL ELECTRICAL CODE ANSI/NFPA 70 AUX ÉTATS-UNIS.</b></p>
<p><b>CET APPAREIL N'A PAS ÉTÉ TESTÉ AVEC UN ENSEMBLE DE BÛCHES À GAZ VENTILÉES OU NON VENTILÉES, AFIN DE RÉDUIRE LE RISQUE D'INCENDIE OU DE BLESSURE, N'INSTALLEZ PAS D'ENSEMBLE DE BÛCHES À GAZ VENTILÉES OU NON VENTILÉES DANS CET APPAREIL.</b></p>
<p><b>FAIRE FONCTIONNER VOTRE APPAREIL AVEC LA CHÛTE À CENDRES OUVERTE OU ENTROUVERTE CONSTITUÉ UN RISQUE D'INCENDIE QUI PEUT CAUSER UNE DÉCOLORATION DE LA PORTE PLAQUÉE OR, DES DOMMAGES INTERNES À L'APPAREIL OU UN FEU DE CHEMINÉE.</b></p>
<p><b>CET APPAREIL NE DOIT PAS ÊTRE RACCORDÉ AU CONDUIT D'UNE CHEMINÉE DESSERVANT UN AUTRE APPAREIL.</b></p>
<p><b>CET APPAREIL ET SES COMPOSANTS SONT CONÇUS POUR ÊTRE INSTALLÉS ET FONCTIONNER COMME UN SYSTÈME. TOUTE MODIFICATION OU SUBSTITUTION DE COMPOSANTS AUTRES QUE CELLES INDICÉES DANS LES INSTRUCTIONS D'INSTALLATION AURONT POUR EFFET D'ANNULER L'HOMOLOGATION ET RISQUE D'ANNULER LA GARANTIE. CELA PEUT AUSSI CRÉER UNE INSTALLATION DANGÉREUSE. LISEZ BIEN TOUTES LES INSTRUCTIONS AVANT DE COMMENCER VOTRE INSTALLATION ET SUIVEZ-LES À LA LETTRE.</b></p>

\* Ces données peuvent varier considérablement selon les conditions particulières.  
 \*\* BTU/h réalisées par Wolf Steel Itée avec des bûches de bois dur et un ravitaillage normal.

SPÉCIFICATIONS		Réf.	1100	1150	1400 ET 1450	1900
LARGEUR	A	25 1/2"	25 1/2"	29 3/8"	25 1/2"	25 1/2"
PROFONDEUR	B	22 1/2"	22 1/2"	23 3/16"	27"	31 1/2"
CENTRE DE LA BUSE JUSQU'À L'ARRIÈRE	C	6 1/2"	6 1/2"	6 3/4"	7 1/2"	7 1/2"
CENTRE DE LA BUSE JUSQU'ÀUX CÔTÉS	D	12 3/4"	12 3/4"	14 11/16"	12 3/4"	12 3/4"
HAUTEUR	E	33 1/4"	33 1/4"	36 1/2"	33 1/4"	33 1/4"
CHAMBRE DE COMBUSTION (P.L.H.)		13 1/2 x 18 x 12"	13 1/2 x 18 x 12"	13 1/2 x 18 x 12"	18 x 18 x 12"	22 1/2 x 18 x 12"
CAPACITÉ		1,7 P <sub>3</sub>	1,7 P <sub>3</sub>	1,7 P <sub>3</sub>	2,25 P <sub>3</sub>	3,0 P <sub>3</sub>
SURFACE CHAUFFÉE APPROX.*		600-1 500 P <sub>12</sub>	600-1 500 P <sub>12</sub>	600-1 500 P <sub>12</sub>	1 000-2 000 P <sub>12</sub>	1 000-3 500 P <sub>12</sub>
DÉBIT DE CHALEUR (COMBUSTION RAPIDE)**		55 000 BTU	55 000 BTU	55 000 BTU	70 000 BTU	85 000 BTU
DURÉE COMBUSTION LENTE*		7 h	7 h	7 h	9 h	12 h
POIDS SANS BRIQUES		215 lb	280 lb	250 lb	285 lb	285 lb
POIDS DES BRIQUES		110 lb	110 lb	145 lb	114 lb	114 lb
LONGUEUR IDÉALE DES BÛCHES		12"	12"	12"	16"	21"

## 2.2 SPÉCIFICATIONS

1450 ILLUSTRATED



## 2.1 DIMENSIONS

## 2.0 INTRODUCTION

### CET APPAREIL EST CHAUD LORSQU'IL FONCTIONNE ET PEUT CAUSER DE GRAVES BRÛLURES EN CAS DE CONTACT.

### TOUTE MODIFICATION APPORTÉE À CET APPAREIL OU AUX CONTRÔLES PEUT ÊTRE DANGEREUX ET EST INTERDIT.

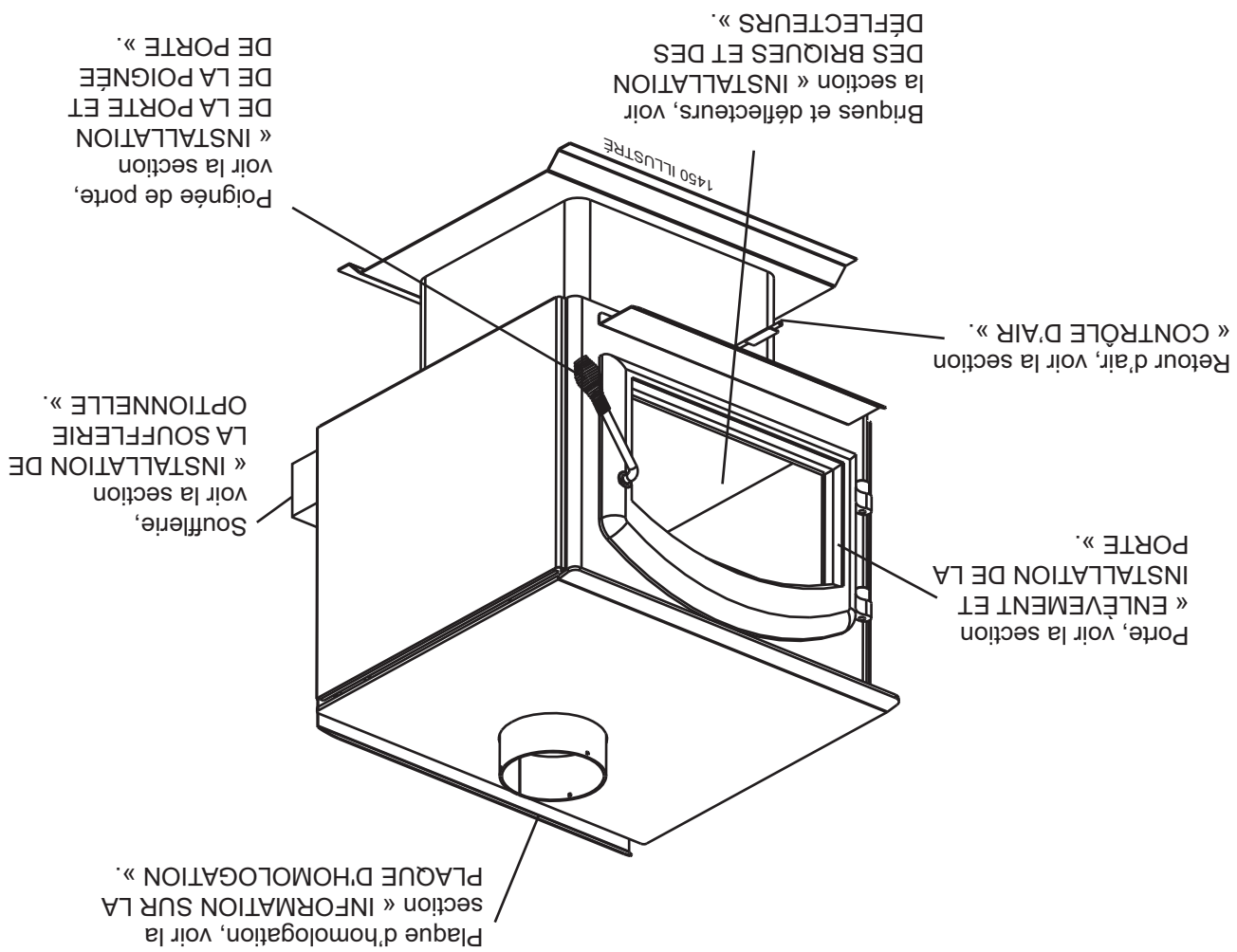
- Ne faites pas fonctionner l'appareil avant d'avoir lu et compris les instructions d'opération. Omettre d'utiliser l'appareil selon les instructions d'opération pourrait causer un incendie ou des blessures.
- Avant d'installer cet appareil, contactez les autorités locales du bâtiment ou le service des incendies et suivez leurs directives.
- Cet appareil doit être installé par un installateur qualifié.
- Risque de brûlures. L'appareil doit être éteint et refroidi avant d'effectuer un entretien.
- Ne faites pas fonctionner tant que tous les composants ne sont pas complètement installés.
- Ne laissez pas l'appareil chauffer au point où des parties deviennent rougeoyantes.
- N'installez pas de composants endommagés ou incomplets ni des composants substitués.
- Risque de coupures et d'éraflures. Portez des gants protecteurs et des lunettes de sécurité lors de l'installation. Les bordures des pièces de métal peuvent être coupantes.

- Les enfants et les adultes devraient être informés des dangers que posent les températures de surface élevées et se tenir à distance afin d'éviter des brûlures ou que leurs vêtements ne s'enflamment.
- Surveillez attentivement les jeunes enfants lorsqu'ils sont dans la même pièce que l'appareil. Les jeunes enfants et autres sont plus à risque de contacts accidentels causant des brûlures. Une barrière physique est conseillée lorsque qu'il y a des individus à risque dans la maison. Pour empêcher l'accès à un appareil ou un poêle, installez une barrière de sécurité pour garder les jeunes enfants et autres individus à risque hors de la pièce et éloignés des surfaces chaudes. Les vêtements et autres matériaux combustibles ne doivent pas être posés sur le foyer ou à proximité.
- En raison des températures élevées, le foyer devrait être placé loin des endroits passants et loin des meubles et des rideaux. Les objets placés devant l'appareil doivent être gardés à une distance d'au moins 48" de l'avant de l'appareil.
- Assurez-vous de disposer de mesures de sécurité adéquates pour empêcher les jeunes enfants de toucher aux surfaces chaudes.
- Même une fois que le foyer est éteint, la vitre et/ou le pare-étincelles demeureront chauds pendant un temps prolongé.
- Consultez votre détaillant local de foyer pour connaître les grillages de sécurité et les écrans offerts pour protéger les enfants des surfaces chaudes. Ces grillages de sécurité et ces écrans doivent être fixés au plancher.
- Les grillages de sécurité ou écrans enlevés pour faire l'entretien devront être remis en place avant d'utiliser l'appareil.
- Cet appareil ne devra être modifié en aucun cas.
- Cet appareil ne doit pas être raccordé au conduit d'une cheminée desservant un autre appareil de chauffage à combustible solide.

- Ne pas opérer l'appareil lorsque la porte vitrée est enlevée, fissurée ou brisée. Le remplacement de la vitre devra être effectué par un technicien de service certifié ou qualifié.
- Ne frappez pas et ne cliquez pas la porte vitrée de l'appareil.
- Ne faites fonctionner l'appareil qu'avec les portes complètement fermées.
- Seules les portes/façades certifiées pour cet appareil peuvent être utilisées avec cet appareil.
- Gardez les matériaux d'emballage hors de la portée des enfants et mettez ces matériaux au rebut de façon sécuritaire. Comme tous les emballages de plastique, ces matériaux ne sont pas des jouets et doivent demeurer hors de la portée des enfants et des bébés.
- Si cet appareil n'est pas installé de façon adéquate, un incendie pourrait s'ensuivre. N'exposez pas l'appareil aux éléments (p. ex. la pluie, etc.) et gardez-le au sec en tout temps. De l'isolant humide produira une odeur lorsque l'appareil est utilisé.
- La cheminée doit être en bon état et ne pas être fissurée. Nettoyez la cheminée au moins deux fois par année et lorsque nécessaire.
- N'allumez pas votre feu à l'aide de produits chimiques ou de liquides tels que de l'essence, de l'huile à moteur, etc.
- Votre appareil nécessite un entretien et un nettoyage périodiques. Négliger cet entretien peut causer des refoulements de fumée dans la maison.
- Vous obtenez une meilleure efficacité et des émissions plus basses avec du bois dur séché à l'air qu'avec du bois résineux ou vert, ou des bois durs fraîchement coupés. Brûler du bois vert ou humide peut causer des accumulations excessives de créosote. Lorsqu'elle est allumée, cette dernière peut causer un feu de cheminée et un incendie grave pourrait s'ensuivre.
- Cet appareil a été conçu pour brûler du bois naturel uniquement. Ne brûlez pas de bois traités, de charbon de bois, de charbon, de papiers de couleur, de cartons, de solvants ou de déchets.
- Brûlez le bois directement sur les briques réfractaires. N'utilisez pas un chénet et n'essayez pas de surélever le feu de quelque manière.
- Ne rangez pas de bois à l'intérieur des dégagements prescrits ou à l'intérieur de la zone nécessaire pour procéder au ravaillement ou à l'enlèvement des cendres.
- Les cendres doivent être mises dans un contenant métallique avec un couvercle hermétique et déposé sur une surface incombustible suffisamment éloigné de la maison ou de toute structure jusqu'à ce qu'elles soient complètement refroidies.
- Assurez-vous de respecter les dégagements aux matériaux combustibles lorsque vous installez un manteau ou des tablettes au-dessus de l'appareil. Les températures élevées sur le mur ou de l'air au-dessus de l'appareil peuvent faire fondre, décolorer ou endommager les décorations, les téléviseurs ou autres composants électroniques.



# 1.0 VUE D'ENSEMBLE DE L'INSTALLATION



# TABLE DES MATIÈRES

<b>3</b>	<b>1.0</b>	<b>VUE D'ENSEMBLE DE L'INSTALLATION</b>
<b>4</b>	<b>2.0</b>	<b>INTRODUCTION</b>
<b>5</b>	2.1	DIMENSIONS
<b>5</b>	2.2	SPÉCIFICATIONS
<b>6</b>	2.3	INSTRUCTIONS GÉNÉRALES
<b>7</b>	2.4	INFORMATION GÉNÉRALE
<b>8</b>	2.5	INFORMATION SUR LA PLAQUE D'HOMOLOGATION
<b>9</b>	<b>3.0</b>	<b>PRÉPARATION AVANT L'INSTALLATION</b>
<b>9</b>	3.1	INSTALLATION DE L'APPAREIL
<b>9</b>	3.2	DÉGAGEMENTS AUX MATÉRIAUX COMBUSTIBLES
<b>9</b>	3.3	INSTALLATION DANS UNE ALCÔVE
<b>10</b>	3.4	PROTECTION DU PLANCHER
<b>10</b>	3.5	AIR EXTÉRIEUR
<b>10</b>	3.5.1	PRISE D'AIR EXTÉRIEUR - MAISON MOBILE
<b>11</b>	3.6	MAISON MOBILE
<b>11</b>	<b>4.0</b>	<b>INSTALLATION</b>
<b>12</b>	4.1	CHEMINÉE
<b>13</b>	4.1.1	INSTALLATION DE LA CHEMINÉE
<b>14</b>	4.1.2	AJOUT DE SECTIONS
<b>15</b>	4.1.3	TYPIQUE À TRAVERS LE PLAFOND
<b>16</b>	4.1.4	INSTALLATION TYPIQUE À TRAVERS UN MUR
<b>17</b>	4.1.5	INSTALLATION TYPIQUE DANS UNE CHEMINÉE DE MAÇONNERIE EXISTANTE
<b>18</b>	<b>5.0</b>	<b>FINITIONS</b>
<b>19</b>	5.1	ENLÈVEMENT ET INSTALLATION DE LA PORTE
<b>19</b>	5.2	INSTALLATION DE LA PORTE ET DE LA POIGNÉE DE PORTE
<b>20</b>	5.3	INSTALLATION DE LA GRILLE ORNEMENTALE
<b>20</b>	5.4	INSTALLATION DE LA MOULURE DU PIÉDESTAL (SI INCLUSE)
<b>20</b>	5.5	INSTALLATION DES BRIQUES ET DES DÉFLECTEURS EN FIBRE
<b>22</b>	5.6	CARACTÉRISTIQUES DU 1150
<b>23</b>	<b>6.0</b>	<b>INSTALLATION DES ENSEMBLES OPTIONNELS</b>
<b>23</b>	6.1	INSTALLATION DE LA SOUFFLERIE OPTIONNELLE
<b>23</b>	6.1.1	INSTALLATION DE LA SOUFFLERIE DU 1150 (EP65)
<b>24</b>	<b>7.0</b>	<b>FONCTIONNEMENT</b>
<b>25</b>	7.1	CONTRÔLE D'AIR
<b>25</b>	7.2	EXTINCTEURS ET DÉTECTEURS DE FUMÉE
<b>25</b>	7.3	ALLUMER UN FEU
<b>26</b>	7.4.1	FEU ÉCLAIR
<b>26</b>	7.2.1	FEU CONTINU
<b>26</b>	7.4	ENFUMAGE
<b>27</b>	<b>8.0</b>	<b>ENTRETIEN</b>
<b>27</b>	8.1	ENLÈVEMENT DES CENDRES
<b>28</b>	8.2	APPAREILS SANS TIROIR À CENDRES (1450)
<b>28</b>	8.3	FORMATION ET ENLÈVEMENT DE LA CRÉOSOTE
<b>28</b>	8.4	FEU DE CHEMINÉE OU FEU HORS CONTRÔLE
<b>29</b>	8.5	NETTOYAGE DE LA CHEMINÉE
<b>29</b>	8.6	REMPLACEMENT DE LA VITRE
<b>30</b>	8.7	REMPLACEMENT DES JOINTS D'ÉTANCHÉITÉ
<b>30</b>	8.8	SOINS DE LA VITRE
<b>30</b>	8.9	SOINS DES PIÈCES PLAQUÉES
<b>31</b>	8.10	BOIS
<b>32</b>	<b>9.0</b>	<b>RECHANGES</b>
<b>35</b>	<b>10.0</b>	<b>GUIDE DE DÉPANNAGE</b>
<b>36</b>	<b>11.0</b>	<b>GARANTIE</b>
<b>37</b>	<b>12.0</b>	<b>HISTORIQUE D'ENTRETIEN</b>

**NOTE :** Les modifications, autres qu'éditoriales, sont indiquées par une ligne verticale dans la marge.

**INSTALLATEUR : LAISSEZ CE MANUEL AVEC L'APPAREIL.**  
**PROPRIÉTAIRE : CONSERVEZ CE MANUEL POUR CONSULTATION ULTÉRIEURE.**  
**NE LAISSEZ PAS LES ENFANTS OU AUTRES INDIVIDUS À RISQUE SEULS À PROXIMITÉ DE L'APPAREIL.**



# INSTRUCTIONS D'INSTALLATION ET D'OPÉRATION

HOMOLOGUÉ SELON LES NORMES D'ÉMISSION DE PARTICULES DE L'AGENCE DE PROTECTION DE L'ENVIRONNEMENT AMÉRICAIN (E.P.A) DE JUIL-  
 LET 1990 40 C.F.R., SECTION 60 ET DU DÉPARTEMENT DE LA QUALITÉ DE L'ENVIRONNEMENT DE L'ÉTAT D'OREGON (D.E.O) PAR E.E.M.C. CES POÈLES  
 ONT ÉTÉ TESTÉS ET HOMOLOGUÉS PAR INTERTÉK TESTING SERVICES SELON LES NORMES CSA B366.2, U.L.C S627 ET UL 1482. LE MODÈLE 1100 A  
 ÉTÉ TESTÉ ET HOMOLOGUÉ POUR INSTALLATION DANS LES MAISONS MOBILES.

## EPA 1100, 1150 1400, 1450 ET 1900 MODÈLES SUR PIÉDESTAL

### CONSIGNES DE SÉCURITÉ

Si ces instructions ne sont pas suivies à la lettre, un incendie ou une

explosion pourrait s'ensuivre, causant des dommages matériels,

des blessures corporelles ou des pertes de vie. Une installation

non conforme, des ajustements, des altérations, un service ou un

entretien inadéquats peuvent causer des dommages matériels, des

blessures corporelles et des pertes de vie. Veuillez lire le manuel en

entier avant d'installer et d'utiliser cet appareil.

Cet appareil n'a pas été testé avec un ensemble de bûches

à gaz non ventilées. Afin de réduire le risque d'incendie ou

de blessure, n'installez pas d'ensemble de bûches à gaz non

ventilées dans cet appareil.

- Cet appareil peut devenir très chaud lorsqu'il fonctionne.

- Les matériaux combustibles, tels que le bois de chauffage, les vêtements

moillés, etc. placés trop près de l'appareil pourraient prendre feu.

- Il faut empêcher les enfants et les animaux de toucher l'appareil quand il est chaud.

- La cheminée doit être en bon état et ne pas être fêlée. Avant d'installer cet

appareil, contactez le service du bâtiment ou le service d'incendie de votre

municipalité et suivez leurs directives.

- Faites fonctionner l'appareil uniquement avec la porte bien fermée.

- Brûlez le bois en arrière du pare-bûches, directement sur les briques

réfractaires.

- N'utilisez pas un chenet et n'essayez pas de surélever le feu de quelque

manière.

- Au moins 14 pouces carrés d'air extérieur doit être admis dans la

pièce ou directement dans l'appareil par un conduit de 4 pouces de diamètre.

- Cet appareil a été conçu pour brûler du bois naturel uniquement. Vous obtenez

une meilleure efficacité et des émissions plus basses avec du bois dur séché

à l'air qu'avec du bois résineux ou vert, ou du bois dur fraîchement coupé.

- N'allumez pas votre feu à l'aide de produits chimiques ou de liquides tels que

de l'essence, de l'huile à moteur, etc.

- Ne brûlez pas de bois traité, de charbon de bois, de charbon, de papier de

couleur, de carton, de solvant ou de déchets.

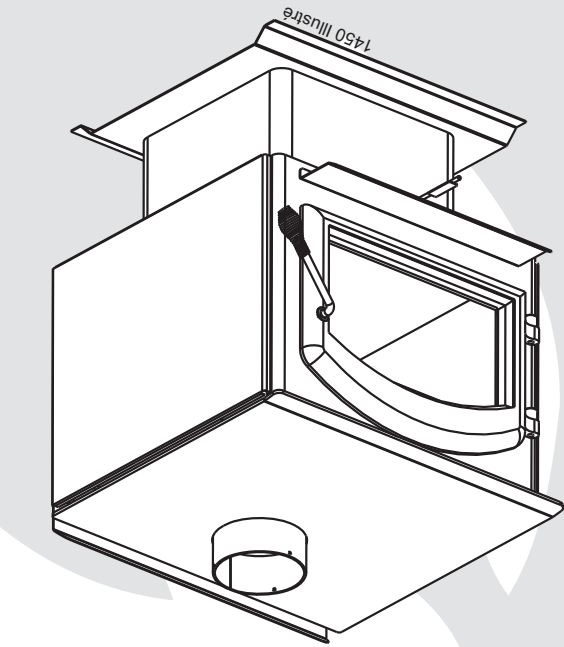
- Ne laissez pas l'appareil chauffer au point où des parties deviennent

rougeoyantes.

- GARDEZ LA TEMPÉRATURE SUR LE DESSUS DE L'APPAREIL SOUS

700°F (371°C). Toute tentative de dépasser les débits maximaux de chaleur,

la distorsion de l'acier et causer des dommages.



### AVERTISSEMENT

LA VITRE CHAUDE CAUSERA  
DES BRÛLURES.

NE PAS TOUCHER LA VITRE  
AVANT QU'ELLE AIT REFFROIDI.

NE JAMAIS LAISSER LES  
ENFANTS TOUCHER LA VITRE.



Wolf Steel Ltd., 24 Napoleon Rd., Barrie, ON, L4M 0G8 Canada /  
 103 Miller Drive, Crittenden, Kentucky, USA, 41030  
 Téléphone 705-721-1212 • Télécopieur 705-722-6031 • www.napoleonfoyers.com • ask@napoleonproducts.com