



2015



+ Swiss Design

+ Swiss Style

+ Swiss Quality

 @SWISSGRILLS  @SWISSGRILLS

www.SwissGrills.com



With almost 30 years of history behind us, Swiss Grill barbecues & accessories are the exciting marriage of classic Swiss style & quality partnered with a real passion for outdoor cooking & living life to the fullest .

Our grills have to be robust and expertly made to deliver the ultimate cooking experience demanded by seasoned BBQ grillers, but they are also classically styled, easy to assemble, easy to use, easy to clean and complement any outdoor space beautifully.

You don't have to be an expert to use a Swiss Grill, but all your friends & family will think you are when they see & taste the great food you produce using your Swiss Grill.

Swiss Grill gas BBQ's are constructed from high quality materials with an emphasis on top quality stainless steel, so you can be confident that they are designed to last and deliver true value for money.

Our highly skilled US based customer service team is only a call or email away should you need any help or support. We are dedicated to offering prompt service to ensure you keep on grilling the Swiss Grill way.





SWISS+
GRILL





THE ZURICH SERIES FROM SWISS GRILL IS A TRUE LEADER IN THE WORLD OF GOURMET OUTDOOR DINING.

THESE UNITS ARE MANUFACTURED ENTIRELY FROM STAINLESS STEEL — FROM THE VERY FIRST SCREW TO THE FINAL FINISHING TOUCHES.

THE ZURICH SERIES IS FULLY LOADED , DESIGNED FOR THE MOST DISCRIMINATING CUSTOMERS. IT IS THE ULTIMATE SERIES IN A RANGE OF COMPETITION STOPPING QUALITY AND DESIGN.

THIS SERIES OF PERFORMANCE GRILLS WILL BLOW YOU AWAY!



(Z460D SHOWN)





Zurich 460

Features

- + All stainless steel components
- + Stainless steel double skinned roasting hood
- + Stainless steel tubular burners [4ps]
- + Infra-red rear burner
- + Commercial grade rotisserie
- + Stainless steel cooking grates
- + Stainless steel full length warming rack
- + Double rigid swing doors
- + CSA approved
- + Total heat output 65,000 BTU
- + Total Weight: 174.9 LBS
- + Hidden caster wheels
- + Cover available to suit Z460
- + Fold down side shelves
- + High top roasting cavity
- + Center pivot, space saving, roasting hood
- + Assembled Size :
66in x 47.3in x 24.4in
38in x 47.3in x 24.4in
(shelves down)



1. SIGNATURE BOTTLE OPENER & ERGONOMIC KNOBS
2. TEMPERATURE GAUGE
3. 304 S/S 16 GAUGE TUBULAR BURNERS & 304 S/S 8MM COOKING GRIDS & 304 S/S FULL BED OF SEAR PLATES
4. FOLD DOWN SHELVES
5. ROTISSERIE KIT
6. GRIDDLE PLATES (OPTIONAL)





GRIZZLER



1. SIGNATURE BOTTLE OPENER & ERGONOMIC KNOBS
2. FOLD DOWN SIDE SHELVES
3. 304 S/S 16 GAUGE TUBULAR BURNERS & 304 S/S 8MM COOKING GRIDS & 304 S/S FULL BED OF SEAR PLATES
4. GRIZZLER SIDE BURNER
5. ROTISSERIE KIT
6. GRIDDLE PLATES (OPTIONAL)

Zurich 460D

Features

- + "Grizzler" Side Burner
- + All stainless steel components
- + Stainless steel double skinned roasting hood
- + Stainless steel tubular burners [4ps]
- + Infra-red rear burner
- + Commercial grade rotisserie
- + Stainless steel cooking grates
- + Stainless steel full length warming rack
- + Double rigid swing doors
- + CSA approved
- + Total heat output 80,000 BTU
- + Total Weight: 204.6 LBS
- + Hidden caster wheels
- + Cover available to suit Z460D
- + Fold down side shelves
- + High top roasting cavity
- + Center pivot, space saving, roasting hood
- + Assembled Size :
80.5in x 47.3in x 24.4in
52.5in x 47.3in x 24.4in
(shelves down)





1. SIGNATURE BOTTLE OPENER & ERGONOMIC KNOBS
2. TEMPERATURE GAUGE
3. 304 S/S 16 GAUGE TUBULAR BURNERS & 304 S/S 8MM COOKING GRIDS & 304 S/S FULL BED OF SEAR PLATES
4. FOLD DOWN SIDE SHELVES
5. ROTISSERIE KIT
6. GRIDDLE PLATES (OPTIONAL)

Zurich 650

Features

- + All stainless steel components
- + Stainless steel double skinned roasting hood
- + Stainless steel tubular burners [6ps]
- + Infra-red rear burner
- + Commercial grade rotisserie
- + Stainless steel cooking grates
- + Stainless steel full length warming rack
- + Double rigid swing doors
- + CSA approved
- + Total heat output 90,000 BTU
- + Total Weight: 213.4LBS
- + Hidden caster wheels
- + Cover available to suit Z650
- + Fold down side shelves
- + High top roasting cavity
- + Center pivot, space saving, roasting hood
- + Assembled Size :
78in x 47.3in x 24.4in
49.7in x 47.3in x 24.4in
(shelves down)





GRIZZLER

Zurich 650D

Features

- + "Grizzler" Side Burner
- + All stainless steel components
- + Stainless steel double skinned roasting hood
- + Stainless steel tubular burners [6ps]
- + Infra-red rear burner
- + Commercial grade rotisserie
- + Stainless steel cooking grates
- + Stainless steel full length warming rack
- + Double rigid swing doors
- + CSA approved
- + Total heat output 105,000 BTU
- + Total Weight: 256.3 LBS
- + Hidden caster wheels
- + Cover available to suit Z650D
- + Fold down side shelves
- + High top roasting cavity
- + Center pivot, space saving, roasting hood
- + Assembled Size :
93in x 47.3in x 24.4in
64in x 47.3in x 24.4in
(shelves down)



1. SIGNATURE BOTTLE OPENER & ERGONOMIC KNOBS
2. FOLD DOWN SIDE SHELVES
3. 304 S/S 16 GAUGE TUBULAR BURNERS & 304 S/S 8MM COOKING GRIDS & 304 S/S FULL BED OF SEAR PLATES
4. GRIZZLER SIDE BURNER
5. ROTISSERIE KIT
6. GRIDDLE PLATES OPTIONAL





SWISS+
GRILL





THE SANTIS TURNS DREAMS INTO REALITIES. IT COMBINES SLEEK LINES WITH A FUNCTIONAL PROWESS THAT WILL LAST THE TEST OF TIME. A POWERFUL GRILL FEATURES PACKED AND AWARD WINNING AESTHETICS.

WHEN THE FIRST DESIGNS FOR SWISS GRILL WENT ONTO PAPER NOBODY COULD HAVE PREDICTED WHAT THE WORLD WOULD BE LIKE YEARS LATER. BUT THROUGH IMAGINATION AND HARD WORK THEN, WE HAVE ALTERED THE COURSE OF OUTDOOR GRILLING NOW.

THE SWISS GRILL SANTIS HAS HIT THE STAGE, AND NO DOUBT IT WILL BE A CROWD PLEASER. ALL STAINLESS STEEL 4 AND 6 BURNER GRILLS COME STANDARD WITH INFRA-RED SEAR STATIONS, INFRA-RED REAR BURNER, COMMERCIAL GRADE ROTISSERIE KIT AND DUAL FUEL CAPABILITY (NATURAL AND PROPANE GAS).

SANTIS, PERFECTLY DESIGNED, PERFECTLY FINISHED AND PERFECT FOR YOUR YARD.

SANTIS - ANATOMY



(SANTIS-6 SHOWN)





GRIZZLER

Santis-4

Features

- + "Grizzler" Side Burner
- + All stainless steel components
- + Stainless steel double skinned roasting hood
- + Stainless steel tubular burners [4ps]
- + Infra-red rear burner
- + Commercial grade rotisserie
- + Stainless steel cooking grates
- + Stainless steel full length warming rack
- + Double rigid swing doors
- + CSA approved
- + Total heat output 78000 BTU
- + Total Weight: 136.4 LBS
- + Hidden caster wheels
- + Cover available
- + High top roasting cavity
- + Center pivot space saving roasting hood
- + Main Cooking Surface 29in x 18in
- + Assembled Size : 56in x 26in x 46in





Santis-6

Features

- + "Grizzler" Side Burner
- + All stainless steel components
- + Stainless steel double skinned roasting hood
- + Stainless steel tubular burners [6ps]
- + Infra-red rear burner
- + Commercial grade rotisserie
- + Stainless steel cooking grates
- + Stainless steel full length warming rack
- + Double rigid swing doors
- + CSA approved
- + Total heat output 102,000 BTU
- + Total Weight: 208 LBS
- + Hidden caster wheels
- + Cover available
- + High top roasting cavity
- + Center pivot space saving roasting hood
- + Main Cooking Surface 38in x 18in
- + Assembled Size : 66in x 26in x 46in





BUILT-IN



THE SWISS GRILL BUILT-IN SERIES IS ENTIRELY FROM 304 S/S. IT WILL ENDURE TOUGH CHALLENGES OF THE YARD AND PATIO. COMPLETE WITH WELL DESIGNED FINISHING PLATES AND FLANGES, THIS UNIT IS READY TO GO.

DELIVERED AS PROPANE AND CONVERSIONED TO NATURAL GAS IN UNDER 10 MINUTES.

SWISS GRILL ALSO OFFERS AN ADDITIONAL CUSTOM FIT GRILL COVER FOR THE BUILT-IN SERIES. BE SURE TO LOOK AT THE SWISS GRILL SERIES OF BUILT-IN SIDE BURNERS, DOORS, DRAWERS, COMBINATIONS AND SLIDE-OUTS; ALL OF WHICH ARE CRAFTED IN 304 S/S.

THE SWISS GRILL BUILT-IN SERIES IS TRUELY WHERE QUALITY AND AFFORDABILITY UNITE.

INCREDIBLE QUALITY, AMAZING STYLE, AND PROVEN RESULTS, THIS BUILT-IN SERIES WILL PUSH THE BOUNDARIES WITHOUT EMPTYING YOUR WALLET.

304 S/S DOUBLE SKINNED ROASTING HOOD & SIDE WALL

ACCURATE THERMOMETER

POWERFUL INFRARED REAR BURNER

COMMERCIAL GRADE ROTISSERIE KIT AND HEAVY DUTY SILENT MOTOR INCLUDED AS STANDARD

STAINLESS STEEL WARMING RACK

304 S/S 16 GAUGE TUBULAR BURNERS
304 S/S FULL BED OF SEAR PLATES
304 S/S LOWER HEAT BAFFLE

STAINLESS STEEL MOUNT BRACKETS

SIGNATURE BOTTLE OPENER

ERGONOMIC KNOBS

FULL SIZE S/S FRONT PULL-OUT FAT TRAY

GRIDDLE PLATE IS A FITTED OPTIONAL EXTRA

95% PRE-ASSEMBLED

INDEPENDENT ELECTRONIC IGNITION

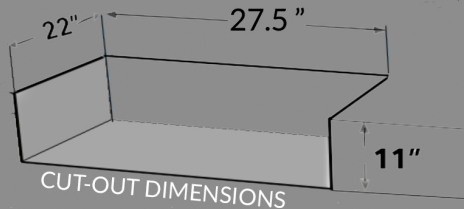
FAST CONVERSION TO NATURAL GAS

(BI-460 SHOWN)

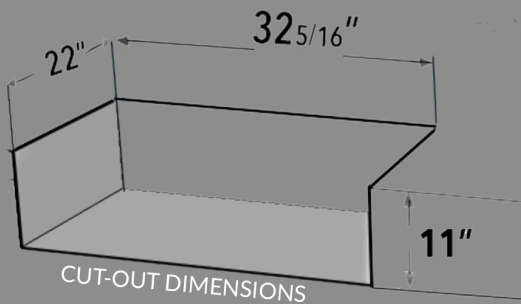




Built-In 320



Built-In 460

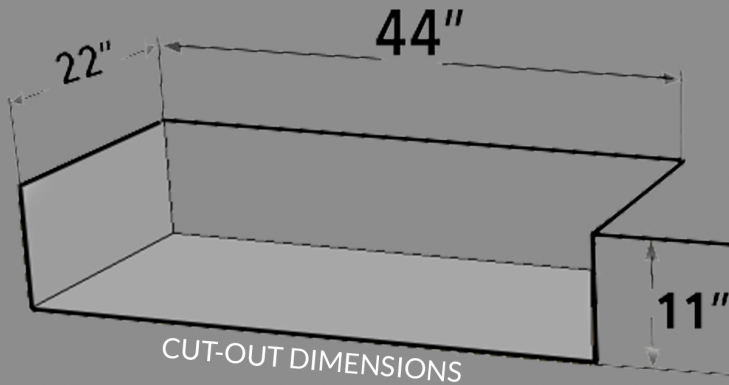


Features

- + All stainless steel components
- + Includes heavy duty back, side and fascia flanges
- + Stainless steel tubular burners [4ps]
- + Infra-red rear burner
- + Commercial grade rotisserie
- + Ready for propane, "easy twist" Nat Gas Conversion System
- + Stainless steel full length warming rack
- + Double skinned roasting hood and side walls
- + CSA approved
- + Total heat output 65,000 BTU
- + Total Weight: 138.6 LBS
- + Center pivot space saving roasting hood
- + Cooking Area (21" x 19")
- + Packaged Size (29.75" x 24.50" x 12")

Features

- + All stainless steel components
- + Includes heavy duty back, side and fascia flanges
- + Stainless steel tubular burners [4ps]
- + Infra-red rear burner
- + Commercial grade rotisserie
- + Ready for propane, "easy twist" Nat Gas Conversion System
- + Stainless steel full length warming rack
- + Double skinned roasting hood and side walls
- + CSA approved
- + Total heat output 65,000 BTU
- + Total Weight: 138.6 LBS
- + Center pivot space saving roasting hood
- + Cooking Area (23.5" x 16.9")
- + Packaged Size (33.75" x 27.5" x 25.5")



Built-In 650

Features

- + All stainless steel components
- + Includes heavy duty back, side and fascia flanges
- + Stainless steel tubular burners [6ps]
- + Infra-red rear burner
- + Commercial grade rotisserie
- + Ready for propane, "easy twist" Nat Gas Conversion System
- + Stainless steel full length warming rack
- + Double skinned roasting hood and side walls
- + CSA approved
- + Total heat output 90,000 BTU
- + Total Weight: 198 LBS
- + Center pivot space saving roasting hood
- + Cooking Area (36.5" x 16.9")
- + Packaged Size (46.5" x 27.5" x 25.5")





THE AROSA SERIES IS WHERE SWISS GRILL BEGINS.

THE AROSA IS ROBUST AND WILL PLEASE THE CHEF FOR YEARS.

A PERFECT GRILL FOR THOSE SEEKING AN AFFORDABLE SENSE OF SOPHISTICATION IN THE YARD.



TEMPERATURE GAUGE

FAST CONVERSION TO NATURAL GAS

(A4-TS SHOWN)





GRIZZLER



A-3

Features

- + Stainless steel tubular burners [3ps]
- + Grizzler Side Burner
- + Highly Durable
- + Double rigid swing doors
- + Full length warming rack
- + CSA approved
- + Total heat output 51,000 BTU
- + Total Weight: 135 LBS
- + Center pivot space saving roasting hood
- + Cooking Area (21.5" x 18")
- + Packaged Size (49.5" x 24" x 46.5")





GRIZZLER



A4-TS

Features

- + 304 S/S Burners, grease tray and sear plates
- + Lightweight and sturdy built
- + Stainless steel tubular burners [4ps]
- + Grizzler Side Burner
- + Commercial grade rotisserie
- + Double rigid swing doors
- + Stainless steel full length warming rack
- + CSA approved
- + Total heat output 78,000 BTU
- + Total Weight: 143 LBS
- + Center pivot space saving roasting hood
- + Cooking Area (28" x 18")
- + Packaged Size (38" x 20" x 26")
- + All cooking areas feature 304 stainless steel





ZUG

Features

- + 6MM 304 Stainless Steel Cooking Grid
- + Hood Stoppers
- + 304 Stainless Steel Full Size Sear Plate
- + 304 Tubular U-Shape Burner
- + Double Skin Hood
- + Piezo Ignition
- + Grease Management System
- + Heavy Duty Locking Clip
- + Carry Case Handle

**6 YEAR
WARRANTY**



MODULE OVERVIEW



SINK MODULE

3 DRAWER MOBILE

Z460

GRIZZLER

CABINET MODULE



COMPONENTS & MODULES

GRIZZLER INFRARED BURNER

BURNER SIZE : 17.71 IN X 35.43 IN X 22.8 IN

BURNER WEIGHT : 90 LBS



3-DRAWERS

DRAWER SIZE : 17 IN X 24 IN



DOUBLE DOORS

DRAWER SIZE : 27 IN X 19 IN DRAWER SIZE : 42 IN X 19 IN
DRAWER SIZE : 30 IN X 19 IN DRAWER SIZE : 48 IN X 19 IN
DRAWER SIZE : 36 IN X 19 IN



DOUBLE DRAWERS & SINGLE DOOR

DRAWER SIZE : 36 IN X 24 IN



PROPANE OR TRASH PULL OUT

PROPANE SIZE : 17 IN X 24 IN
TRASH PULL OUT SIZE : 17 IN X 24 IN



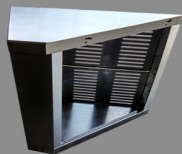
KITCHEN SINK MODULE

SINK SIZE : 32.7 IN X 57.5 IN X 22.8 IN
SINK WEIGHT : 94 LBS



3 DRAWER MODULE

MODULE SIZE : 32.7 IN X 35.4 IN X 22.8 IN
MODULE WEIGHT : 110



CORNER MODULE

MODULE SIZE : 21.65 IN X 35.4 IN X 22.8 IN
MODULE WEIGHT : 22 LBS



CABINET MODULE

CABINET SIZE : 32.7 IN X 35.4 IN X 22.8 IN
CABINET WEIGHT : 88 LBS

ACCESSORIES



BASTING BOWL & KIT



BBQ CHICKEN ROASTER



LARGE FISH TURNER



GRIDDLE'S FRIEND



STAINLESS STEEL GRID SCRUBBER



STAINLESS STEEL WOK



PROFESSIONAL TOOL KIT



OUTDOOR GRILL COVERS



GRIDDLE PLATES



NATURAL CONVERSION
KIT

TECHNICAL SPECIFICATIONS

| | Z460 | Z460D | Z650 | Z650D | SANTIS - 4 | SANTIS - 6 | BI-320I BI-460 | BI-650 | A-3 | A4-TS | ZUG |
|----------------------------|-----------------------------------|-----------------------------------|-----------------------------------|-------------------------------------|---------------------------|----------------------------|--|-------------------------------|-----------------------------|---------------------------|-----------------------------|
| COMPONENTS | 304 STAINLESS STEEL | 304 STAINLESS STEEL | 304 STAINLESS STEEL | 304 STAINLESS STEEL | 304 STAINLESS STEEL | 304 STAINLESS STEEL | 304 STAINLESS STEEL | 304 STAINLESS STEEL | 304 STAINLESS STEEL | 304 STAINLESS STEEL | 304 STAINLESS STEEL |
| STAINLESS STEEL HOOD | DOUBLE SKINNED | DOUBLE SKINNED | DOUBLE SKINNED | DOUBLE SKINNED | DOUBLE SKINNED | DOUBLE SKINNED | DOUBLE SKINNED | DOUBLE SKINNED | DOUBLE SKINNED | DOUBLE SKINNED | DOUBLE SKINNED |
| BTUS | 65,000 BTU 23.5IN X 16.9IN | 80,000 BTU 23.5IN X 16.9IN | 90,000 BTU 36.5IN X 16.9IN | 105,000 BTU 36.5IN X 16.9IN | 78,000 BTU 29IN X 18IN | 102,000 BTU 38IN X 18IN | BI - 320I (51,000) BTU BI - 460 (65,000) BTU BI - 320I (21IN X 18IN) BI - 460 (23.5IN X 16.9IN) | 90,000 BTU 36.5IN X 16.9IN | 51,000 BTU 21.5IN X 18IN | 78,000 BTU 28IN X 18IN | 12,000 BTU 18.1IN X 11IN |
| COOKING AREA | 8MM STAINLESS STEEL | 8MM STAINLESS STEEL | 8MM STAINLESS STEEL | 8MM STAINLESS STEEL | 6MM STAINLESS STEEL | 6MM STAINLESS STEEL | 8MM STAINLESS STEEL | 8MM STAINLESS STEEL | 8MM STAINLESS STEEL | 8MM STAINLESS STEEL | 8MM STAINLESS STEEL |
| GRIDS | 1.8 MM STAINLESS STEEL | 1.8 MM STAINLESS STEEL | 1.8 MM STAINLESS STEEL | 1.8 MM STAINLESS STEEL | 1.8 MM STAINLESS STEEL | 1.8 MM STAINLESS STEEL | 1.8 MM STAINLESS STEEL | 1.8 MM STAINLESS STEEL | 1.8 MM STAINLESS STEEL | 1.8 MM STAINLESS STEEL | 1.8 MM STAINLESS STEEL |
| TUBULAR BURNERS | MODULAR VERSION AVAILABLE | INFRARED GRIZZLER | MODULAR VERSION AVAILABLE | INFRARED GRIZZLER | INFRARED GRIZZLER | INFRARED GRIZZLER | MODULAR VERSION AVAILABLE | MODULAR VERSION AVAILABLE | INFRARED GRIZZLER | INFRARED GRIZZLER | N/A |
| BURNERS | MODULAR VERSION AVAILABLE | INFRARED GRIZZLER | MODULAR VERSION AVAILABLE | INFRARED GRIZZLER | INFRARED GRIZZLER | INFRARED GRIZZLER | MODULAR VERSION AVAILABLE | MODULAR VERSION AVAILABLE | INFRARED GRIZZLER | INFRARED GRIZZLER | N/A |
| SIDE BURNERS | MODULAR VERSION AVAILABLE | INFRARED GRIZZLER | MODULAR VERSION AVAILABLE | INFRARED GRIZZLER | INFRARED GRIZZLER | INFRARED GRIZZLER | MODULAR VERSION AVAILABLE | MODULAR VERSION AVAILABLE | INFRARED GRIZZLER | INFRARED GRIZZLER | N/A |
| COMMERCIAL GRADE | OPTIONAL | OPTIONAL | OPTIONAL | OPTIONAL | OPTIONAL | OPTIONAL | OPTIONAL | OPTIONAL | OPTIONAL | OPTIONAL | N/A |
| ROTTISERIE KIT | | | | | | | | | | | |
| HIDDEN CASTER WHEELS | INCLUDED | INCLUDED | INCLUDED | INCLUDED | INCLUDED | INCLUDED | N/A | N/A | INCLUDED | INCLUDED | N/A |
| NATURAL GAS OR PROPANE | COMPATIBLE | COMPATIBLE | COMPATIBLE | COMPATIBLE | COMPATIBLE | COMPATIBLE | COMPATIBLE | COMPATIBLE | COMPATIBLE | COMPATIBLE | COMPATIBLE |
| SIGNATURE BOTTLE OPENER | INCLUDED | INCLUDED | INCLUDED | INCLUDED | INCLUDED | INCLUDED | INCLUDED | INCLUDED | INCLUDED | INCLUDED | N/A |
| SWISS STYLE THERMOMETER | INCLUDED | INCLUDED | INCLUDED | INCLUDED | INCLUDED | INCLUDED | INCLUDED | INCLUDED | INCLUDED | INCLUDED | N/A |
| DOUBLE RIGID DRAWER SYSTEM | MODULAR VERSION AVAILABLE | INCLUDED | MODULAR VERSION AVAILABLE | INCLUDED | INCLUDED | INCLUDED | MODULAR VERSION AVAILABLE | MODULAR VERSION AVAILABLE | INCLUDED | INCLUDED | N/A |
| ASSEMBLED SIZE W X D X H | 66IN X 47.3IN X 24.4IN | 80.5IN X 47.3IN X 24.4IN | 78IN X 47.3 X 24.4IN | 93IN X 47.3IN X 24.4IN | 59IN X 26IN X 46IN | 66IN X 26IN X 46IN | BI - 320 (CUTOUT) 27.5X IN 22IN X 11IN BI - 460 (CUTOUT) 31.5IN X 23.5IN X 24.4IN | 43.3IN X 23.5IN X 24.4IN | 53.7IN X 25.5IN X 46.7IN | 62.9IN X 23.6IN X 47.2IN | |
| BOX SIZE W X D X H | 34IN X 27IN X 49IN (SHELVES DOWN) | 49IN X 27IN X 49IN (SHELVES DOWN) | 46IN X 27IN X 49IN (SHELVES DOWN) | 61IN X 27.5IN X 49IN (SHELVES DOWN) | 38IN X 20IN X 26IN | 46.5IN X 27.5IN X 25.5IN | BI - 320 29.75IN X 24.5IN X 12IN BI - 460 33.75IN X 27.5IN X 25.5IN | 46.5IN X 27.5IN X 25.5IN | 49.5IN X 24IN X 46.5IN | 38IN X 20IN X 26IN | 24.6IN X 14.8IN X 14.1IN |
| WEIGHT | 1749 LBS | 2046 LBS | 2134 LBS | 2563 LBS | 1364 LBS | 208 LBS | BI-320 (110 LBS) BI-460 (138.6 LBS) | 198 LBS | 135 LBS | 143 LBS | 25 LBS |

We love hearing from our customers about anything related to our amazing grills. If you just want to say how much you love the grills or if you have a problem and need assistance; please give us a call. We take care of all our customers as if they were apart of our Swiss Family.

Distributor / Dealer



PHONE: (949)-491-8707

Address: 2182 Alton Parkway, Irvin CA 92606