

## 30" Self-trimming Electric Firebox

DF3015

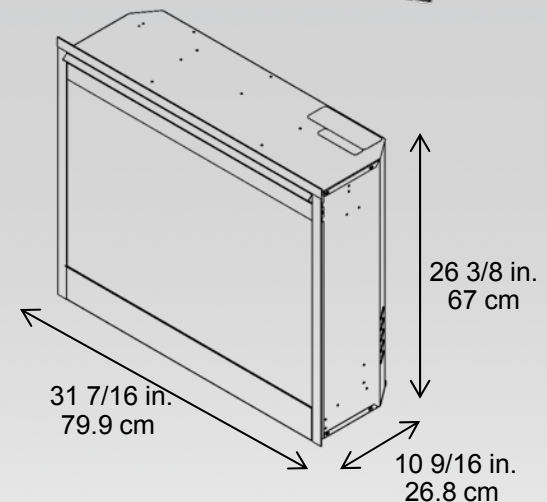
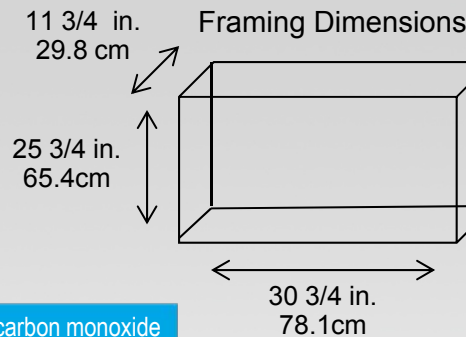
### Product Description

- 120 volt plug-in firebox with thermostat controlled fan-forced heater
- Patented electric flame technology
- Pulsating embers and LED inner glow logs molded from wood logs for incredible realism
- Purifire® air treatment system filters airborne allergens and particulates
- Refractory brick-look interior
- Clean, self-trimming design – no separate trim required
- Operates with flame only or flame and heat
- Safe, clean electric operation
- Adjustable interior light and flame speed control
- 120 Volts / 1,500 Watts / 5,120 BTU



### Accessory

- WRCPF-KIT – Wall switch remote control



Includes multi-function remote control



No carbon monoxide or emissions, glass stays cool-to-touch

| Model #     | Description  | lbs/kg    | UPC           | Wty. † | Carton Dimensions (W x H x D) |                   | Cube            |                |
|-------------|--|-----------|---------------|--------|-------------------------------|-------------------|-----------------|----------------|
|             |  |           |               |        | Inches                        | cm                | ft <sup>3</sup> | m <sup>3</sup> |
| DF3015      | 30" self-trimming electric firebox with refractory brick look interior | 67 / 30.5 | 781052 043213 | 5 yr.  | 36 x 28.5 x 14                | 1.4 x 72.4 x 35.6 | 8.3             | 0.24           |
| ET30-2DR-BN | Brushed nickel twin screen doors                                       | 15 / 6.8  | 781052 045019 | 1 yr.  | 37.8 x 2.6 x 31.6             | 95.9 x 6.5 x 80.3 | 1.8             | 0.05           |

Patent protected: for a complete list of applicable patents visit: [www.dimplex.com/patents](http://www.dimplex.com/patents). Specifications, finishes and dimensions are subject to change and should be taken as a guide only.

\* Based on average national residential electricity rates. Rates vary. † Limited warranty. © 2011 Dimplex North America Limited.