

33" Built-in Electric Firebox

BF33DXP

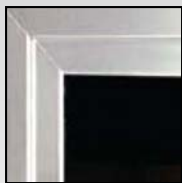
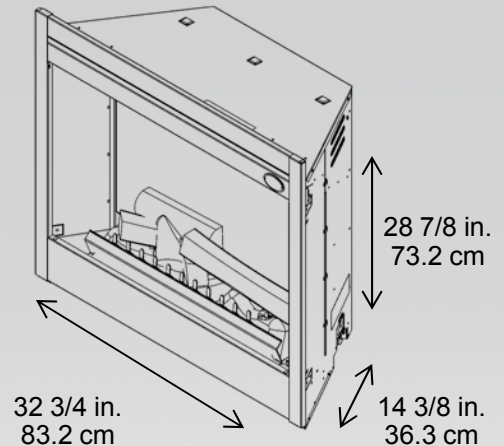
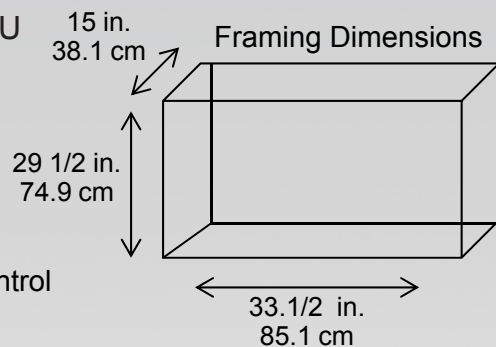
Product Description

- Patented electric flame technology
- Built-in Purifire® air treatment system
- Pulsating embers and LED inner glow logs molded from wood logs for incredible realism
- Operates with flame only or with flame and heat
- Smooth edges allow for flush mounting to drywall/tile or for installation into a finished/wall cavity
- Built-in manual switches – main on/off, heater on/off
- Unit may be wired with separate wall switches (not included) to control flame, Purifire and heater operation
- Optional wall thermostat to control the heater.
- Dual 120 or 240/208 voltage compatible
- 120 Volts / 1,440 Watts / 4,915 BTU
- 208 Volts / 2,100 Watts / 7,170 BTU
- 240 Volts / 2,700 Watts / 9,220 BTU



Accessories

- TS521W – Wall thermostat
- BFPLUGE – 120 volt plug kit
- BFRC-KIT – Remote control kit
- WRCPF-KIT – Wall switch remote control



BF4TRIM33SS



BF4TRIM33



BFDOOR33BLK



BFSDOOR33BLKSM



BFRC-KIT

Model #	Description	lbs/kg	UPC	Wty. †	Carton Dimensions (W x H x D)		Cube	
					Inches	cm	ft ³	m ³
BF33DXP	33" built-in electric firebox	80 / 36.4	781052 045781	2 yr.	34.7 x 31.1 x 16.5	88 x 79 x 42	10.3	0.29
BFGLOSS33BLK	Single pane, tamperproof glass door	18.1 / 8.2	781052 044623	1 yr.	32.3 x 21 x 3.3	82 x 53.3 x 8.4	1.3	0.04
BFSDOOR33BLK	Glass swing doors with black accents	17 / 7.7	781052 044593	1 yr.	16 x 3.3 x 20.3	40.6 x 8.3 x 51.6	0.6	0.02
BFDOR33BLKSM	Single pane, bi-fold look glass door kit	13 / 5.9	781052 041233	1 yr.	24.8 x 3.3 x 28	62.9 x 8.3 x 71.1	1.3	0.04
BF4TRIM33	4 pc. Black decorative raised profile trim	5 / 2.3	781052 052932	1 yr.	37 x 4.3 x 2.5	94 x 10.8 x 6.4	0.2	0.01
BF4TRIM33SS	4 pc. Stainless steel decorative raised profile trim	5 / 2.3	781052 052949	1 yr.	37 x 4.3 x 2.5	94 x 10.8 x 6.4	0.2	0.01

Patent protected: for a complete list of applicable patents visit: www.dimplex.com/patents. Specifications, finishes and dimensions are subject to change and should be taken as a guide only.

* Based on average national residential electricity rates. Rates vary. † Limited warranty. © 2011 Dimplex North America Limited.