

45" Built-in Electric Firebox

BF45DXP

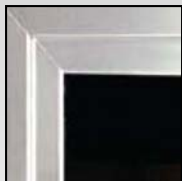
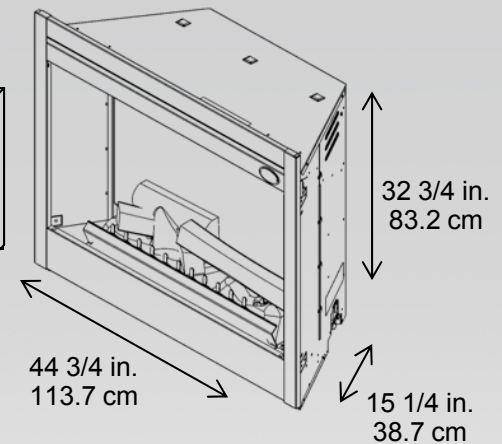
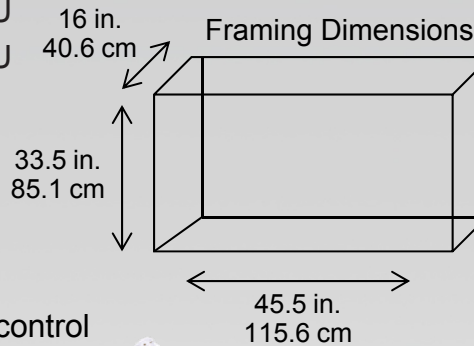
Product Description

- Patented electric flame technology
- Built-in Purifire® air treatment system
- Pulsating embers and LED inner glow logs molded from wood logs for incredible realism
- Operates with flame only or with flame and heat
- Smooth edges allow for flush mounting to drywall/tile or for installation into a finished wall cavity
- Built-in manual switches – main on/off, heater on/off.
- Unit may be wired with separate wall switches (not included) to control flame, Purifire and heater operation
- Optional wall thermostat to control the heater.
- Dual 120 or 240/208 voltage compatible
- 120 Volts / 1,440 Watts / 4,915 BTU
- 208 Volts / 2,100 Watts / 7,170 BTU
- 240 Volts / 2,700 Watts / 9,220 BTU



Accessories

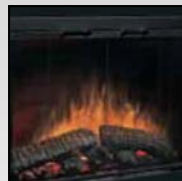
- TS521W – Wall thermostat
- BFPLUGE – 120 volt plug kit
- BFRC-KIT – Remote control kit
- WRCPF-KIT – Wall switch remote control



BF4TRIM45SS



BF4TRIM45



BFDOOR45BLKSM



BFRC-KIT

| Model # | Description | lbs/kg | UPC | Wty. † | Carton Dimensions (W x H x D) | | Cube | |
|---------------|--|----------|---------------|--------|-------------------------------|---------------------|-----------------|----------------|
| | | | | | Inches | cm | ft ³ | m ³ |
| BF45DXP | 45" built-in electric firebox | 110 / 50 | 781052 052390 | 2 yr. | | | | |
| BFDOOR45BLKSM | Single pane, bi-fold look glass door kit | 21 / 9.5 | 781052 041271 | 1 yr. | 45.8 x 35.5 x 17.5 | 116.2 x 90.2 x 44.5 | 16.4 | 0.47 |
| BF4TRIM45 | 4 pc. Black decorative raised profile trim | 7 / 3.2 | 781052 052970 | 1 yr. | 44.3 x 24.8 x 3.3 | 112.5 x 63 x 8.4 | 2.1 | 0.06 |
| BF4TRIM45SS | 4 pc. Stainless steel decorative raised profile trim | 6 / 2.7 | 781052 052987 | 1 yr. | 49 x 4.3 x 2.5 | 124.5 x 10.8 x 6.4 | 0.3 | 0.01 |

Patent protected: for a complete list of applicable patents visit: www.dimplex.com/patents. Specifications, finishes and dimensions are subject to change and should be taken as a guide only.

* Based on average national residential electricity rates. Rates vary. † Limited warranty. © 2011 Dimplex North America Limited.