



## 5 Burner Convection Grill

Part Number: BBQ08875CP

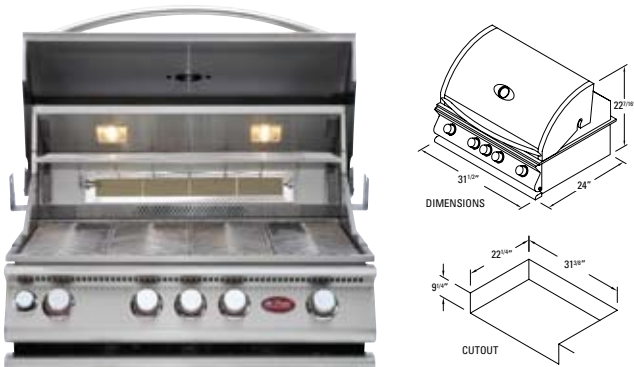
Dimensions:	39" x 24" x 22 <sup>7/16</sup> " (99x 61x 57cm)
BTU Output:	75,000
Cooking Area:	1,000 sq. in. (2540cm)
Infrared Burner:	YES 22000 BTU
Rotisserie:	YES
CE C/O Dimensions:	9 <sup>1/4</sup> " x 38 <sup>7/8</sup> " x 22 <sup>1/4</sup> " (23.5x 98.7x 56.5cm)



## 5 Burner Grill

Part Number: BBQ08875P

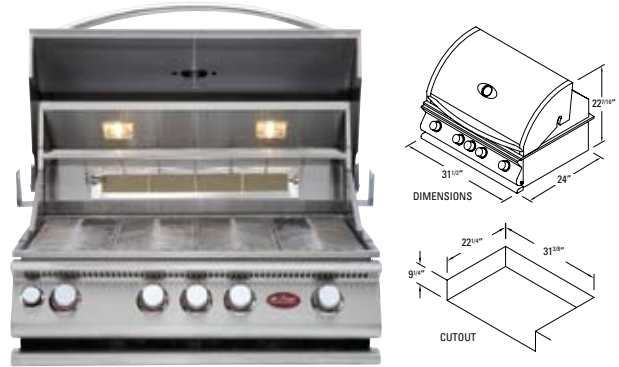
Dimensions:	39" x 24" x 22 <sup>7/16</sup> " (99x 61x 57cm)
BTU Output:	75,000
Cooking Area:	1,000 sq. in. (2540cm)
Infrared Burner:	YES 22000 BTU
Rotisserie:	YES
CE C/O Dimensions:	9 <sup>1/4</sup> " x 38 <sup>7/8</sup> " x 22 <sup>1/4</sup> " (23.5x 98.7x 56.5cm)



## 4 Burner Convection Grill

Part Number: BBQ0874CP

Dimensions:	31 <sup>1/2</sup> " x 24" x 22 <sup>7/16</sup> " (80x 61x 57cm)
BTU Output:	60,000
Cooking Area:	800 sq. in. (2032cm)
Infrared Burner:	YES 15000 BTU
Rotisserie:	YES
CE C/O Dimensions:	9 <sup>1/4</sup> " x 31 <sup>3/8</sup> " x 22 <sup>1/4</sup> " (23.5x 79x 56.5cm)



## 4 Burner Grill

Part Number: BBQ08874P

Dimensions:	31 <sup>1/2</sup> " x 24" x 22 <sup>7/16</sup> " (80x 61x 57cm)
BTU Output:	60,000
Cooking Area:	800 sq. in. (2032cm)
Infrared Burner:	YES 15000 BTU
Rotisserie:	YES
CE C/O Dimensions:	9 <sup>1/4</sup> " x 31 <sup>3/8</sup> " x 22 <sup>1/4</sup> " (23.5x 79x 56.5cm)



### 3 Burner Grill

Part Number: BBQ08873P

Dimensions: 24" x 24" x 22<sup>7/16</sup>" (61x 61x 57cm)  
 BTU Output: 45,000  
 Cooking Area: 600 sq. in. (1524cm)  
 Infrared Burner: YES 11,000 BTU  
 Rotisserie: YES  
 C/O Dimensions: 9<sup>1/4</sup>" x 23<sup>3/4</sup>" x 22<sup>1/4</sup>" (23.5x 60.5x 56.5cm)



### 5 Burner G5 Grill

Part Number: BBQ09G05

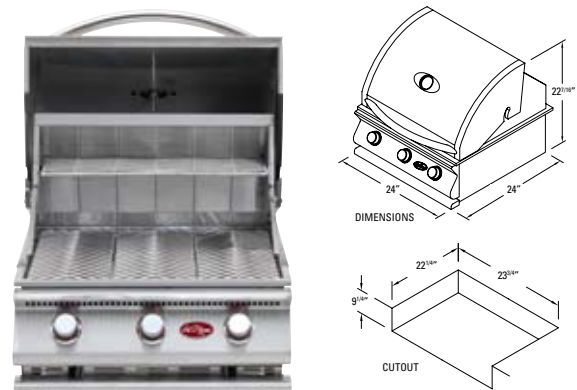
Dimensions: 39" x 24" x 22<sup>7/16</sup>" (99x 61x 57cm)  
 BTU Output: 75,000  
 Cooking Area: 1,000 sq. in. (2540cm)  
 Infrared Burner: N/A  
 Rotisserie: N/A  
 C/O Dimensions: 9<sup>1/4</sup>" x 38<sup>3/8</sup>" x 22<sup>1/4</sup>" (23.5x 98.7x 56.5cm)



### 4 Burner G4 Grill

Part Number: BBQ08G04

Dimensions: 31<sup>1/2</sup>" x 24" x 22<sup>7/16</sup>" (80x 61x 57cm)  
 BTU Output: 60,000  
 Cooking Area: 800 sq. in. (2032cm)  
 Infrared Burner: N/A  
 Rotisserie: N/A  
 C/O Dimensions: 9<sup>1/4</sup>" x 31<sup>3/8</sup>" x 22<sup>1/4</sup>" (23.5x 79x 56.5cm)



### 3 Burner G3 Grill

Part Number: BBQ09G03

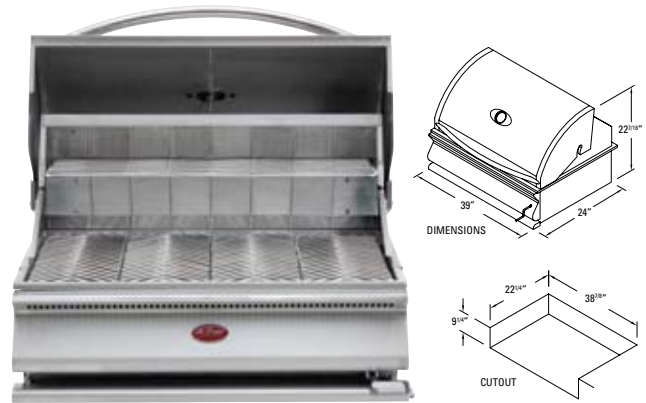
Dimensions: 24" x 24" x 22<sup>7/16</sup>" (61x 61x 57cm)  
 BTU Output: 45,000  
 Cooking Area: 600 sq. in. (1524cm)  
 Infrared Burner: N/A  
 Rotisserie: N/A  
 C/O Dimensions: 9<sup>1/4</sup>" x 23<sup>3/4</sup>" x 22<sup>1/4</sup>" (23.5x 60.5x 56.5cm)





### Charcoal Convection Grill (w/ Lights and Infrared) Part Number: BBQ08880P

Dimensions: 39" x 24" x 22<sup>7</sup>/<sub>16</sub>" (99x 61x 57cm)  
 Cooking Area: 800 sq. in. (2032cm)  
 Infrared Burner: YES 15000 BTU  
 Rotisserie: YES  
 C/O Dimensions: 9<sup>1</sup>/<sub>4</sub>" x 38<sup>7</sup>/<sub>8</sub>" x 22<sup>1</sup>/<sub>4</sub>" (23.5x 98.7x 56.5cm)



### Charcoal Grill (No Lights) Part Number: BBQ08870P

Dimensions: 39" x 24" x 22<sup>7</sup>/<sub>16</sub>" (99x 61x 57 cm)  
 Cooking Area: 800 sq. in. (2032 sq. cm)  
 Infrared Burner: N/A  
 Rotisserie: N/A  
 C/O Dimensions: 9<sup>1</sup>/<sub>4</sub>" x 38<sup>7</sup>/<sub>8</sub>" x 22<sup>1</sup>/<sub>4</sub>" (23.5x 98.7x 56.5 cm)



### Electric Grill (110v) Part Number: BBQ08882E

Dimensions: 22<sup>3</sup>/<sub>4</sub>" x 16" x 11<sup>1</sup>/<sub>2</sub>"  
 Cooking Area: 277 sq. in.  
 Watts: 1,500  
 Amps: 12.5



## Deluxe Double Side By Side Burner

Part Number: BBQ08954P

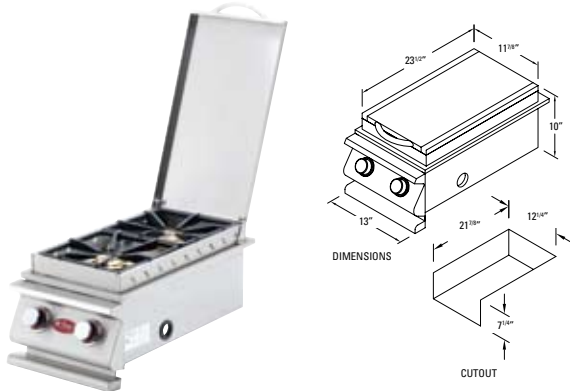
Dimensions: 26" x 13" x 10 1/2" (66x 33x 26.7 cm)  
 BTU Output: 30,000  
 C/O Dimensions: 7 1/4" x 25 1/2" x 13 1/4" (18.4x 64.8x 33.6 cm)



## Standard Side By Side Flat Burner

Part Number: BBQ08953P

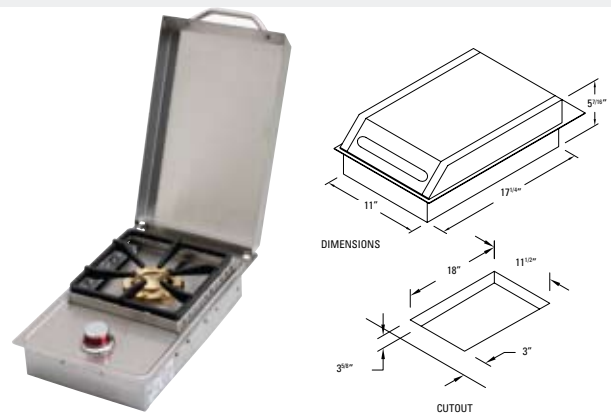
Dimensions: 24 1/4" x 19 1/2" x 6 1/8" (61.6x 49.5x 15.5 cm)  
 BTU Output: 30,000  
 C/O Dimensions: 4 1/4" x 24 1/2" x 19 3/4" (10.8x 62.2x 50.2 cm)



## Deluxe Double Side Burner

Part Number: BBQ08899P

Dimensions: 13" x 23 1/2" x 10" (33x 59.7x 25.4 cm)  
 BTU Output: 30,000  
 C/O Dimensions: 7 1/4" x 12 1/4" x 21 7/8" (18.4x 31.1x 55.3 cm)

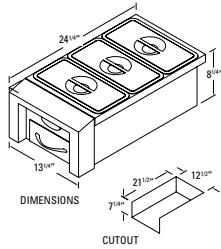


## Standard Single Flat Side Burner

Part Number: BBQ08852P

Dimensions: 11" x 17 1/4" x 5 7/8" (27.9x 43.8x 13.8 cm)  
 BTU Output: 15,000  
 C/O Dimensions: 3 5/8" x 11 1/2" x 18" (9.2x 29.2x 45.7 cm)



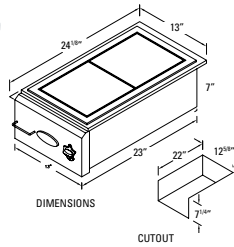


## Drop-In Food Warmer

Part Number: BBQ07888P

Dimensions: 13 1/4" x 24 1/4" x 8 1/4" (33.6x 61.6x 20.9 cm)

C/O Dimensions: 7 1/4" x 12 1/2" x 21 1/2" (18.4x 31.7x 54.6 cm)

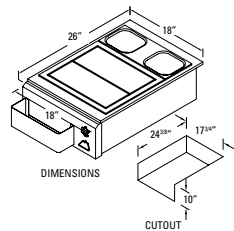


## 12" Cocktail Center

Part Number: BBQ07842P-12

Dimensions: 13" x 24 1/8" x 7" (33x 61.3x 17.8 cm)

C/O Dimensions: 7 1/4" x 12 5/8" x 22" (18.4x 32x 55.9 cm)

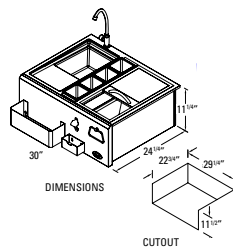


## 18" Cocktail Center

Part Number: BBQ07842P-18

Dimensions: 18" x 26" x 9 3/4" (45.7x 66x 24.8 cm)

C/O Dimensions: 10" x 17 3/4" x 24 3/8" (25.4x 45.1x 61.9 cm)

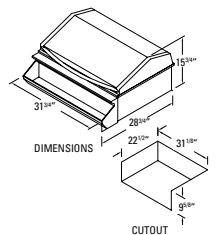


## 30" Drop-In Bar Center

Part Number: BBQ07902

Dimensions: 30" x 24 1/4" x 11 1/4" (76.2x 61.6x 28.6 cm)

C/O Dimensions: 11 1/2" x 29 1/4" x 22 3/4" (29.2x 74.3x 57.8 cm)

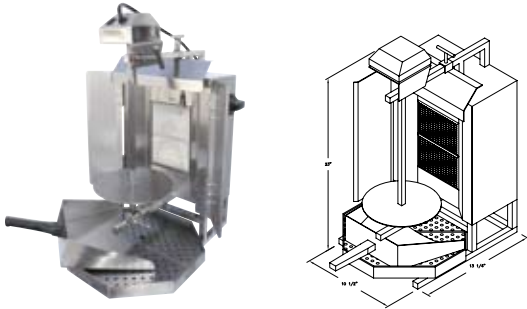


## 30" Drop-In Ice Chest

Part Number: BBQ07864P

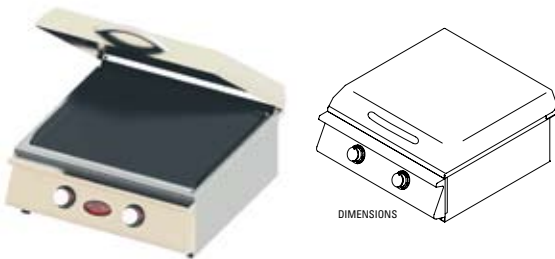
Dimensions: 31 3/4" x 28 3/4" x 15 3/4" (80.6x 73x 40 cm)

C/O Dimensions: 9 5/8" x 31 1/8" x 22 1/2" (24.4x 79x 57.1 cm)



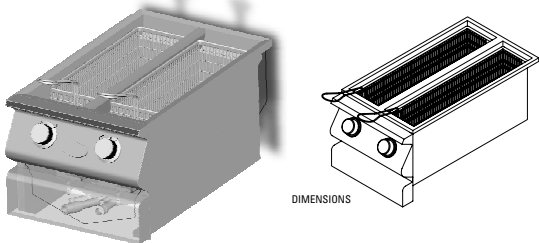
**Gyro Vertical Grill**  
Part Number: BBQ09903P

Dimensions: 10 1/2" x 13 1/4" x 23"  
C/O Dimensions:



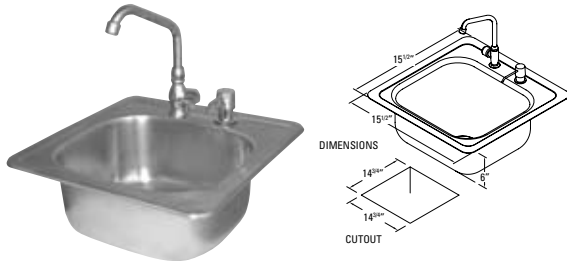
**Hibachi Drop In Grill**  
Part Number: BBQ09900

Dimensions:  
C/O Dimensions:



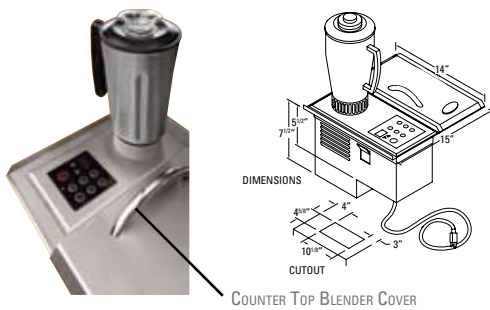
**Deep Fryer Drop-In**  
Part Number: BBQ09901

Dimensions:  
C/O Dimensions:



**Stainless Steel Sink (w/ Faucet and Soap Dispenser)**  
Part Number: BBQ07963

Dimensions: 15 1/2" x 15 1/2" x 6" (39.4x 39.5x 15.2 cm)  
C/O Dimensions: 14 3/4" x 14 3/4" (37.5x 37.5 cm)



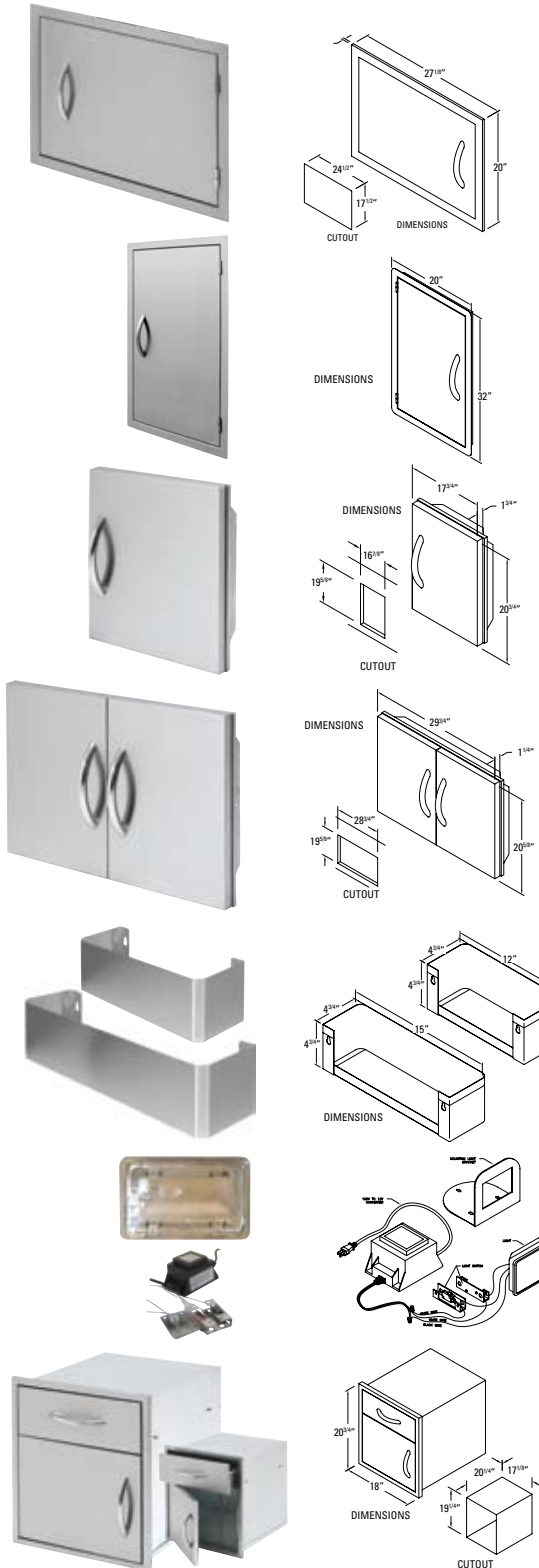
**Counter Top Blender Station**  
Part Number: BBQ07912

Dimensions: 15" x 14" x 7 1/2" (38.1x 35.6x 19 cm)

**Counter Top Blender Cover**  
Part Number: BBQ07100500

COUNTER TOP BLENDER COVER





## 27" Horizontal Door

Part Number: BBQ07841P-27

Dimensions: 27 1/8" x 20" (68.9x 50.8 cm)

C/O Dimensions: 24 1/2" x 17 1/2" (62.2x 44.4 cm)

## 20" Tall Single Door

Part Number: BBQ08841P-20

Dimensions: 20" x 32" (50.8x 81.3 cm)

## 18" Single Access Door

Part Number: BBQ08839P-18

Dimensions: 20 3/4" x 17 3/4" x 1 1/4" (52.7x 45.1x 3.2 cm)

C/O Dimensions: 19 5/8" x 16 7/8" (49.8x 42.9 cm)

## 30" Double Access Door

Part Number: BBQ08839P-30

Dimensions: 20 5/8" x 29 3/4" x 1 1/4" (52.4x 75.6x 3.1 cm)

C/O Dimensions: 19 5/8" x 28 3/4" x 2 3/4" (49.8x 73x 7 cm)

## 18" Juice / Spice Rack

Part Number: BBQ07846P-18

Dimensions: 12" x 4 3/4" x 4 3/4" (30.5x 12x 12 cm)

## 30" Juice / Spice Rack

Part Number: BBQ07845P-30

Dimensions: 15" x 4 3/4" x 4 3/4" (38.1x 12x 12 cm)

## Lights Inside the Door Kit

Part Number: BBQ07831

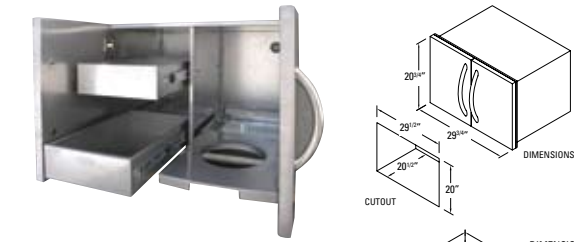
(Lights inside the door kit available only on 18" Single and Double Access Doors)

## 18" Door & Drawer Combo

Part Number: BBQ08840P-18

Dimensions: 20 3/4" x 18" x 20 3/4" (52.7x 45.7x 52.7 cm)

C/O Dimensions: 19 1/4" x 17 1/8" x 20 1/4" (48.9x 43.5x 51.4 cm)

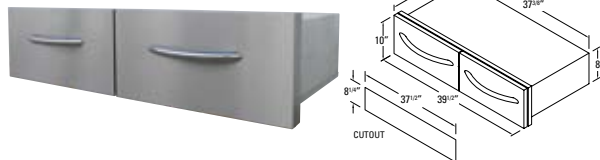


## 30" Door & Drawer Combo

Part Number: BBQ07840P-30

Dimensions: 20<sup>3/4</sup>" x 29<sup>1/2</sup>" x 21<sup>3/4</sup>" (52.7x 75.6x 55.2 cm)

C/O Dimensions: 20" x 29<sup>1/2</sup>" x 20<sup>1/2</sup>" (50.8x 74.9x 52 cm)

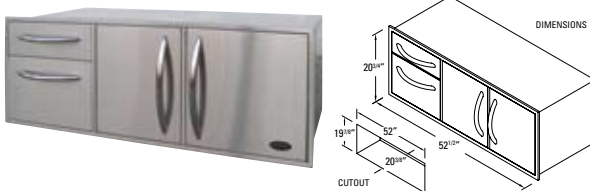


## 2 Drawer Horizontal

Part Number: BBQ08867P

Dimensions: 39<sup>1/2</sup>" x 19<sup>1/4</sup>" x 10" (100.3x 48.9x 25.4 cm)

C/O Dimensions: 37<sup>1/2</sup>" x 8<sup>1/4</sup>" (95.2x 20.9 cm)

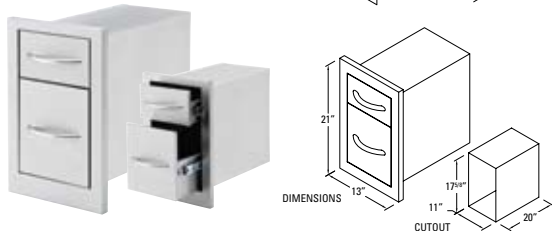


## Complete Utility Storage Set

Part Number: BBQ07909

Dimensions: 20<sup>3/4</sup>" x 52<sup>1/2</sup>" x 20<sup>3/4</sup>" (52.7x 133.3x 52.7 cm)

C/O Dimensions: 19<sup>7/8</sup>" x 52" x 20<sup>3/8</sup>" (50.5x 132.1x 51.7 cm)

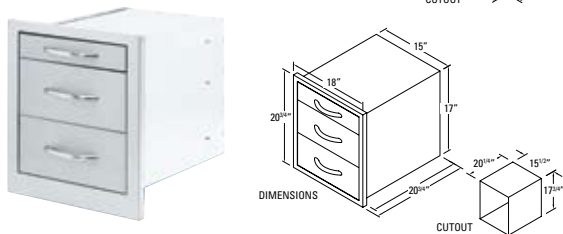


## 2 Drawer Storage Deep Drawer

Part Number: BBQ07868P

Dimensions: 21" x 13" x 20<sup>1/2</sup>" (53.3x 33x 52.1 cm)

C/O Dimensions: 17<sup>5/8</sup>" x 11" x 20" (44.8x 27.9x 50.8 cm)

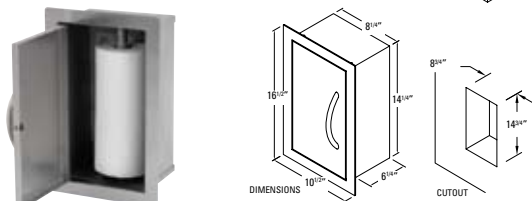


## 3 Drawer Storage Wide

Part Number: BBQ08866

Dimensions: 18" x 20<sup>3/4</sup>" x 20<sup>3/4</sup>" (45.7x 52.7x 52.7 cm)

C/O Dimensions: 20<sup>1/4</sup>" x 15<sup>1/2</sup>" x 17<sup>3/4</sup>" (51.4x 39.4x 45.1 cm)

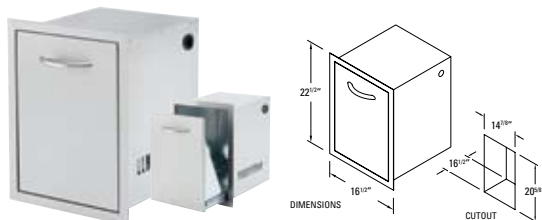


## Paper Towel Storage Door

Part Number: BBQ07910

Dimensions: 16<sup>1/2</sup>" x 10<sup>1/2</sup>" x 6<sup>1/4</sup>" (49.1x 26.7x 15.9 cm)

C/O Dimensions: 14<sup>3/4</sup>" x 8<sup>3/4</sup>" (37.5x 22.2 cm)



## Propane Tank Drawer

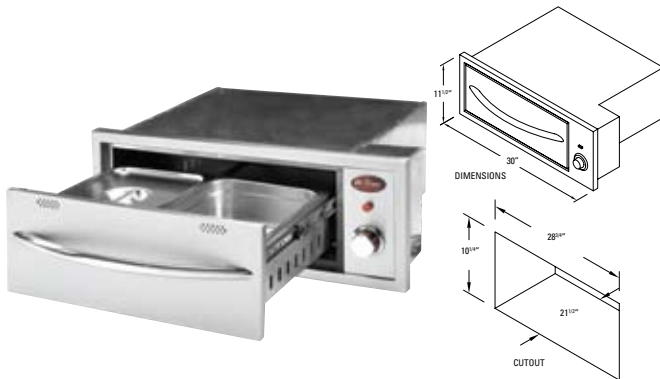
Part Number: BBQ07857P

Dimensions: 22<sup>1/2</sup>" x 16<sup>1/2</sup>" x 16<sup>1/4</sup>" (57.1x 41.9x 41.3 cm)

C/O Dimensions: 20<sup>5/8</sup>" x 14<sup>7/8</sup>" x 16<sup>1/2</sup>" (52.4x 37.8x 41.9 cm)

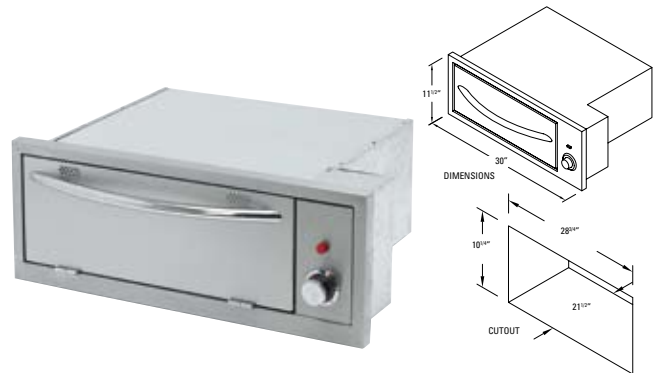


# HARDWARE OVENS & REFRIGERATORS



**30" Warmer Drawer**  
Part Number: BBQ07889P

Dimensions: 30" x 11<sup>1</sup>/<sub>2</sub>" x 21<sup>1</sup>/<sub>4</sub>"  
C/O Dimensions: 10<sup>1</sup>/<sub>4</sub>" x 28<sup>3</sup>/<sub>4</sub>" x 21<sup>1</sup>/<sub>2</sub>"



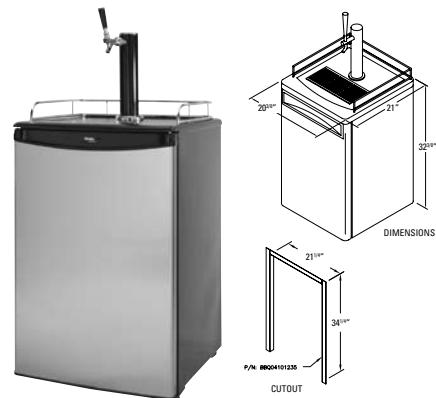
**Built-In Pizza Drawer Electric 110v**  
Part Number: BBQ08967E

Dimensions: 30" x 11<sup>1</sup>/<sub>2</sub>" x 21<sup>1</sup>/<sub>4</sub>"  
C/O Dimensions: 10<sup>1</sup>/<sub>4</sub>" x 28<sup>3</sup>/<sub>4</sub>" x 21<sup>1</sup>/<sub>2</sub>"  
Watts: 1,500  
Amps: 12.5



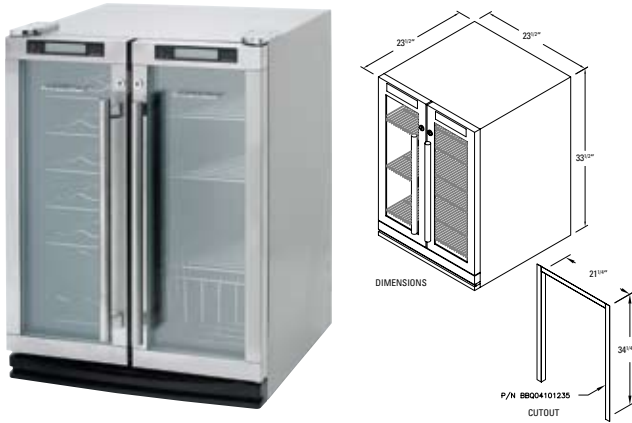
**Stainless Steel Refrigerator**  
Part Number: BBQ07849P

Dimensions: 32<sup>3</sup>/<sub>8</sub>" x 20<sup>3</sup>/<sub>8</sub>" x 21"  
C/O Dimensions: 34<sup>1</sup>/<sub>4</sub>" x 21<sup>1</sup>/<sub>4</sub>"



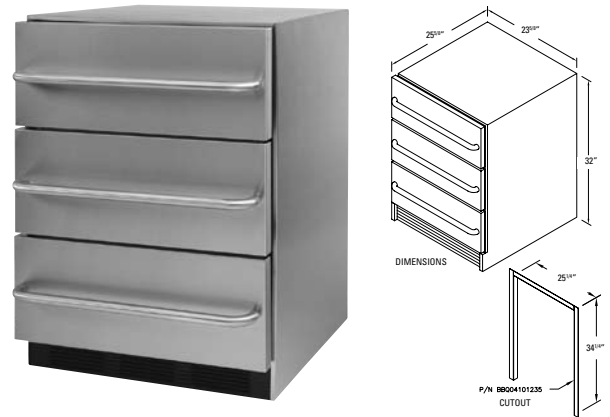
**Beer Tap Refrigerator**  
Part Number: BBQ07843B

Dimensions: 32<sup>3</sup>/<sub>8</sub>" x 20<sup>3</sup>/<sub>8</sub>" x 21"  
C/O Dimensions: 34<sup>1</sup>/<sub>4</sub>" x 21<sup>1</sup>/<sub>4</sub>"



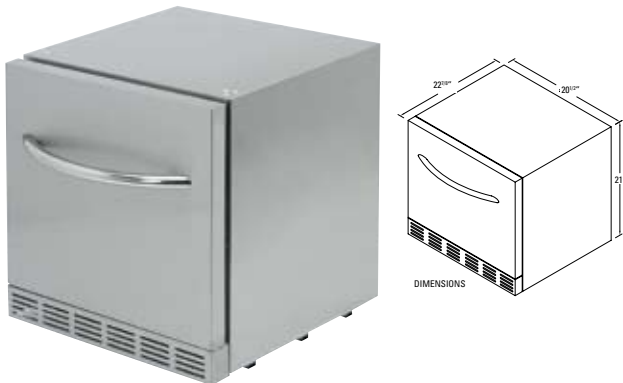
**Outdoor Beverage Cooler**  
Part Number: BBQ07850P

Dimensions: 33 1/2" x 23 1/2" x 23 1/2"  
C/O Dimensions: 34 1/4" x 21 1/4"



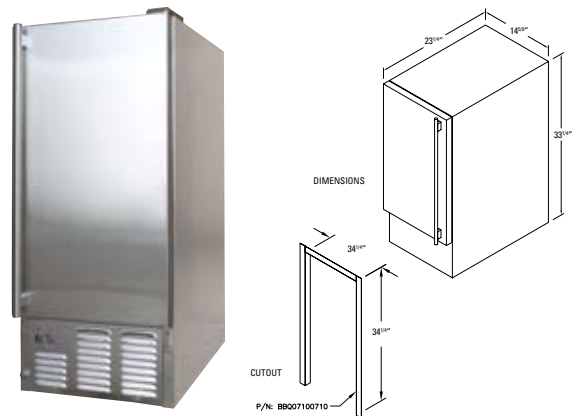
**3 Drawer Pull Out Refrigerator**  
Part Number: BBQ07863P

Dimensions: 32" x 23 5/8" x 25 5/8"  
C/O Dimensions: 34 1/4" x 25 1/4"



**1 Drawer Pull Out Refrigerator**  
Part Number: BBQ08865

Dimensions: 21" x 20 1/2" x 22 7/8"

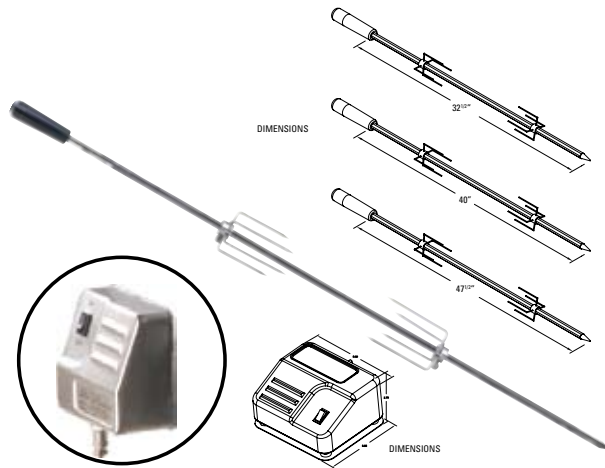


**Ice Maker**  
Part Number: BBQ07908

Dimensions: 23 1/4" x 14 5/8" x 33 1/4"  
C/O Dimensions: 34 1/4" x 15 1/4"

# HARDWARE

# GRILL ACCESSORIES



## Rotisserie 3 Burner (Rod Kit '08)

Part Number: BBQ08856P3      Dimensions: 32<sup>1</sup>/<sub>2</sub>" (82.5 cm)

## Rotisserie 4 Burner (Rod Kit '08)

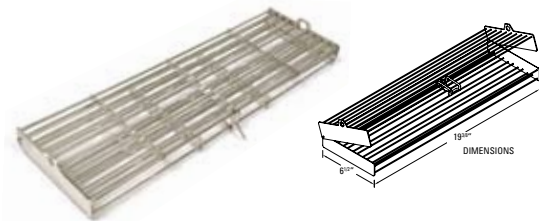
Part Number: BBQ08856P4      Dimensions: 40" (101.6 cm)

## Rotisserie 5 Burner (Rod Kit '08)

Part Number: BBQ08856P5      Dimensions: 47<sup>1</sup>/<sub>2</sub>" (120.6 cm)

## Rotisserie Motor (12v)

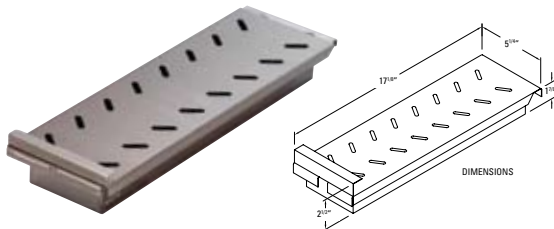
Part Number: BBQ07100781



## Rotisserie Basket

Part Number: BBQ08892

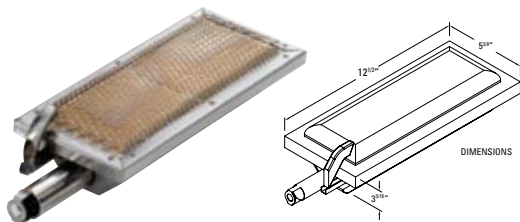
Dimensions: 19<sup>3</sup>/<sub>8</sub>" x 6<sup>1</sup>/<sub>2</sub>" x 1<sup>1</sup>/<sub>2</sub>" (49.2x 16.5x 3.8 cm)



## Smoke Tray

Part Number: BBQ07854P

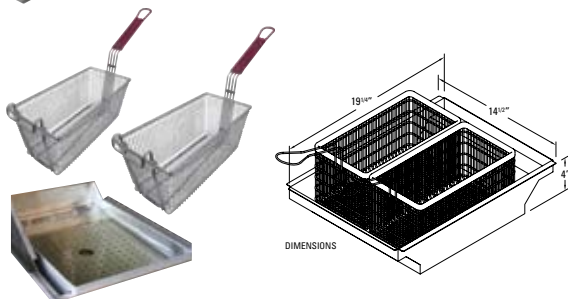
Dimensions: 5<sup>1</sup>/<sub>4</sub>" x 17<sup>1</sup>/<sub>8</sub>" x 2<sup>1</sup>/<sub>2</sub>" (13.3x 43.5x 6.35 cm)



## Sear Zone Burner X1

Part Number: BBQ07890P

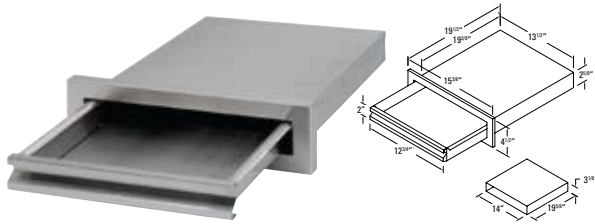
Dimensions: 12<sup>1</sup>/<sub>2</sub>" x 5<sup>3</sup>/<sub>8</sub>" x 3<sup>5</sup>/<sub>16</sub>" (31.7x 13.6x 8.4 cm)



## Deep Fryer Helper

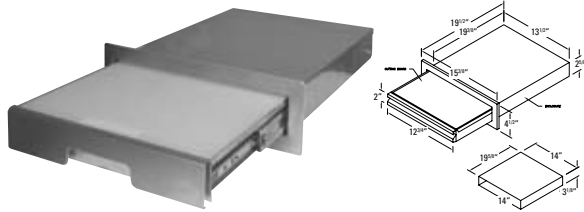
Part Number: BBQ09902

Dimensions: 19<sup>1</sup>/<sub>4</sub>" x 14<sup>1</sup>/<sub>2</sub>" x 4" (48.9x 36.8x 10.2 cm)



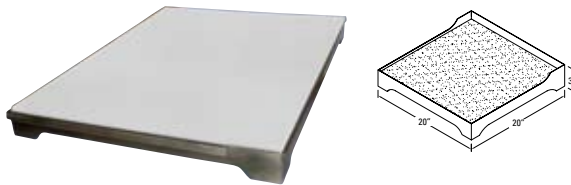
## Griddle Tray w/ Storage Part Number: BBQ07862P

Dimensions: 19 1/2" x 13 1/2" x 2 5/8" (49.5x 34.3x 6.7 cm)  
C/O Dimensions: 2 7/8" x 13 3/4" x 19 5/8" (7.3x 34.9x 49.8 cm)



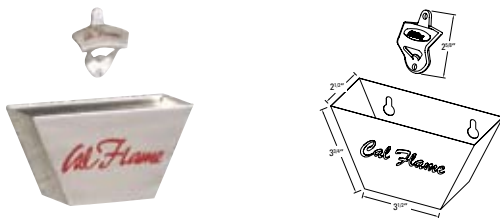
## Pull Out Cutting Board Part Number: BBQ07891P

Dimensions: 19 1/2" x 13 1/2" x 2 5/8" (49.5x 34.3x 6.7 cm)  
C/O Dimensions: 2 7/8" x 13 3/4" x 19 5/8" (7.3x 34.9x 49.8 cm)



## Pizza Brick Tray Part Number: BBQ07900

Dimensions: 20" x 20" x 3" (50.8x 50.8x 7.6 cm)



## Bottle Opener and Catcher Part Number: BBQ07901

Dimensions:  
Bottle Opener: 2 5/8" (6.7 cm)  
Catcher: 3 3/4" x 6 3/4" x 2 1/2" (9.5x 17.1x 6.3 cm)



## Snake Light Part Number: BBQ08893

Dimensions:  
C/O Dimensions: