

NAPLES FIRE PIT TABLE



A beautiful wicker table and fire pit all-in-one

This functional and durable piece is the perfect addition to any outdoor space. The round burner design leaves room on the table for food and drinks. Comes with a glass burner cover when you want to use the entire table.

INCLUDES:

- Outdoor-rated resin wicker
- Aluminum frame built to last and wont rust
- Access door conceals standard 20 lb. propane tank
- UL listed
- Balsam wicker color matches our Balsam Furniture Collection

NAPLES FIRE PIT TABLE

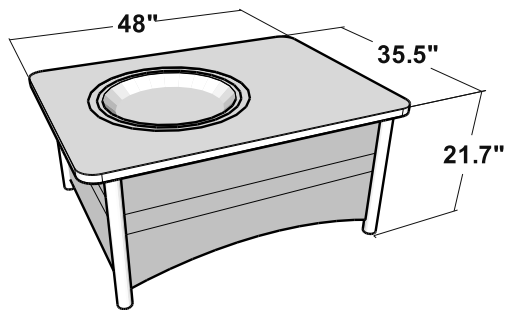
Product Information

ITEM	ITEM CODE	RETAIL PRICE
Naples Fire Pit Table	NAPLES-CT-B-K	\$1099

Optional Accessories

ITEM	ITEM CODE	RETAIL PRICE
Glass Guard	GLASS GUARD-20-R	\$299
Vinyl Cover	CVRCF48	\$59

Dimensions



REV03-15

Sales@outdoorrooms.com • OutdoorRooms.com • 1.866.303.4028