

UPTOWN COLLECTION



Modern, functional fire pit table

A modern look in granite and stucco, the Uptown fire pit table has an eye-catching multi level design. It is designed with clean and simple lines engineered to showcase a stunning glowing fire. Choose from Brown or Black and a 1224 or 1242 Burner

INCLUDES:

- Brown or Black
- 1224 (Black only) or 1242 Stainless Steel Burner- UL Listed
- Stores 20 lb. LP Tank in base
- Granite Tile (Black only), Supercast, and Stucco Finishes
- Rectangular burner produces up to 88,000 BTU's
- HD powder coated aluminum frame

UPTOWN COLLECTION

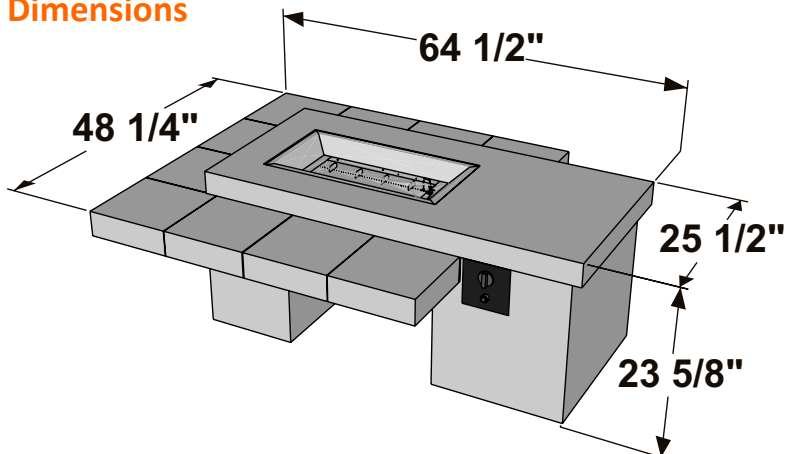
Product Information

ITEM	ITEM CODE	RETAIL PRICE
Uptown Fire Pit Table		
Brown	UPT-1242-BRN	\$3299
Black 1242	UPT-1242	\$3399
Black 1224	UPT-1224	\$3199

Optional Accessories

ITEM	ITEM CODE	RETAIL PRICE
Glass Guard		
1224	GLASS GUARD-1224	\$249
1242	GLASS-GUARD-1242	\$299
Vinyl Cover	CVR-UPT	\$79
Glass Burner Cover		
1224 Bronze	1224-BRONZE-GLASS-COVER	\$69
1242 Bronze	1242-BRONZE-GLASS-COVER	\$89
1224 Grey	1224-GREY-GLASS-COVER	\$69
1242 Grey	1242-GREY-GLASS-COVER	\$89

Dimensions



REV03-15