

CHILLBUSTER 5

Decorative Vented/Unvented Gas Log Set General Assembly, Installation, and Operation Instructions

Last Printed 4/27/2010 12:38



Report # 10-37



Rasmussen®

THE GAS LOG COMPANY

12028 E. PHILADELPHIA ST.
WHITTIER, CA CALIFORNIA 90601 U.S.A.
www.rasmussen.biz



ATTENTION! READ INSTRUCTIONS CAREFULLY BEFORE ASSEMBLY OR USE

“Chillbuster Evening Embers” Models: C5A (33,000 Btu) or B(40,000 Btu); 18, 24 or 30, -ME, -SE, or -RE Natural Gas (N) or Propane Burners (P) with HF18, 24 or 30 Log Sets.

WARNING: If the information in this manual is not followed exactly, a fire or explosion may result causing property damage, personal injury or loss of life.

- Do not store or use gasoline or other flammable vapors and liquids in the vicinity of this or any other appliance.
- **WHAT TO DO IF YOU SMELL GAS**
 - Do not try to light any appliance.
 - Do not touch any electrical switch; do not use any phone in your building.
 - Immediately call your gas supplier from a neighbor's phone. Follow the gas supplier's instructions.
 - If you cannot reach your gas supplier, call the fire department.
- Installation and service must be performed by a qualified installer, service agency or the gas supplier.

This is an unvented gas-fired heater. It uses air (oxygen) from the room in which it is installed. Provisions for adequate combustion and ventilating

INSTALLER: Leave this manual with the appliance.
CONSUMER: Retain this manual for future reference.

This appliance may be installed in an aftermarket, permanently located, manufactured (mobile) home, where not prohibited by local codes.

This appliance is only for use with type of gas indicated on the rating plate. This appliance is not convertible for use with other gases. Field conversion is not permitted. Gas type conversion may only be accomplished at the factory. Please contact Rasmussen for details.

Installation must conform with local codes or, in the absence of local codes, with the National Fuel Gas Code, ANSI Z223.1/NFPA 54.

WARNING

This appliance is for installation only in a solid-fuel burning masonry or *UL 127* factory-built fireplace or in a listed ventless firebox enclosure. It has been design certified for these installations. Exception: DO NOT install this appliance in a factory-built fireplace that includes instructions stating it has not been tested or should not be used with unvented gas logs.

In the Commonwealth of Massachusetts:

- Installation must be performed by a licensed plumber or gas fitter.
- The chimney flue damper, when used with gas logs, will be welded open or completely removed.
- A CO detector shall be installed in the room where the appliance is installed.

IMPORTANT:

An unvented room heater having an input rating of more than 10,000 Btu per hour shall not be installed in a bedroom or bathroom. Do not install this appliance in a bedroom or bathroom.

The Minimum Fireplace Size (in inches) in which this Chillbuster set is to be installed must be as follows:

Set Size	Model Number	BTU/hour	Front Width	Rear Width	Depth	Height
18	C5A/B - (ME,SE,RE) - (N,P)	33,000/40,000	26"	20"	14"	17"
24	C5A/B - (ME,SE,RE) - (N,P)	33,000/40,000	30"	24"	14"	17"
30	C5A/B - (ME,SE,RE) - (N,P)	33,000/40,000	36"	30"	14"	17"

CHILLBUSTER™ Contemporary Gas Heaters are certified to the following standards:

- UNVENTED ROOM HEATER ANSI - Z21.11.2-2007
- VENTED DECORATIVE APPLIANCE - ANSI Z21.60b-2004

IMPORTANT INFORMATION

- **Due to high temperatures**, the appliance should be located out of traffic and away from furniture and draperies.
- **Children and adults** should be alerted to the hazard of high surface temperatures and should stay away to avoid burns or clothing ignition.
- **Young children** should be carefully supervised when they are in the same room with the appliance.
- **Do not place** clothing or other flammable material on or near the appliance.
- **Any safety screen** or guard removed for servicing an appliance must be replaced prior to operating the heater.
- **Installation and repair** should be done by a qualified service person. The appliance should be inspected before use and at least annually by a professional service person. More frequent cleaning may be required due to excessive lint from carpeting, bedding material etc. It is imperative that control compartments, burners and circulating air passageways of the appliance be kept clean.
- **WARNING:** Any change to this heater or its controls can be dangerous.
- **This appliance** is intended for supplemental heating. It should not be used as a primary heat source for a dwelling.
- **WARNING:** Failure to keep the primary air opening(s) of the burner clean may result in sooting and property damage.
- **Keep appliance area** clear and free from combustible materials, gasoline and other flammable vapors and liquids.
- **DO NOT** use this room heater if any part has been under water. Immediately call a qualified service technician to inspect the room heater and to replace any part of the control system and any gas control that has been under water.
- **WARNING:** Before installing in a solid-fuel burning fireplace, the chimney flue and firebox must be cleaned of soot, creosote, ashes and loose paint by a qualified chimney cleaner.
- **WARNING:** Do not allow fans to blow directly into the fireplace. Avoid any drafts that alter burner flame patterns.
- **WARNING:** Do not use a blower insert, heat exchanger insert or any other accessory not approved for use with this heater.
- **A fireplace screen** must be in place when the appliance is operating and, unless other provisions for combustion air are provided, the screen shall have an opening(s) for introduction of combustion air.
- **Solid fuels** shall not be burned in a fireplace where this **CHILLBUSTER™** heater is installed.
- **WARNING:** Glass doors must be fully opened when appliance is in operation to allow for safe combustion, cooling of components and venting.
- **Any outside air ducts** and/or ash dumps in the fireplace shall be permanently closed at the time of appliance installation.
- **State or local codes** may only allow operation of this appliance in a vented configuration. Check your state or local codes.
- **DO NOT** use this appliance, in the vent-free application, in sleeping quarters, bathrooms or recreational vehicles. This appliance may be used in sleeping quarters and bathrooms if used in a vented application, subject to local codes.
- **Avoid contact** with the objects, chassis or another part which may be hot during operation.
- **This appliance is equipped** with an ODS (Oxygen Depletion Sensor) pilot light safety system, which is designed to shut the appliance off in the absence of inadequate fresh air. Additional ventilation may be obtained by opening a window an inch or two, or a door to another room. See Page 23 for nuisance shutdown issues and correction.

CARBON MONOXIDE POISONING MAY LEAD TO DEATH

When used without fresh air, decorative gas appliances may give off carbon monoxide, an odorless, colorless, poisonous gas. Some people, pregnant women, persons with heart or lung disease, anemia, persons under the influence of alcohol and persons who live at high altitudes are more affected by carbon monoxide than others.

Early signs of carbon monoxide poisoning resemble the flu and include; headache, dizziness and/or nausea. If you have these symptoms, the burner or the appliance may not be installed or working properly, or the flue may be blocked. **GET FRESH AIR AT ONCE!** Verify that the gas log set is properly arranged and have the heater and chimney flue serviced before using again.

WARNING

During manufacturing, assembly and packaging, various components of **CHILLBUSTER™** are exposed to certain oils or films. These are not harmful but may produce annoying smoke and smells as they are burned off during the initial operation of the appliance, possibly causing headaches, eye or lung irritation. This is a normal occurrence and only temporary. The initial break-in operation should last 2-3 hours with the burner at the highest setting. Provide maximum ventilation by opening windows, doors and the chimney flue (if using a vented model) to allow odors to dissipate. The only odor remaining after this initial break-in period will be the normal odors associated with the combustion of Natural or Propane Gas and/or related to your indoor environment (see page 23).

WARNING—Proposition 65 Statement

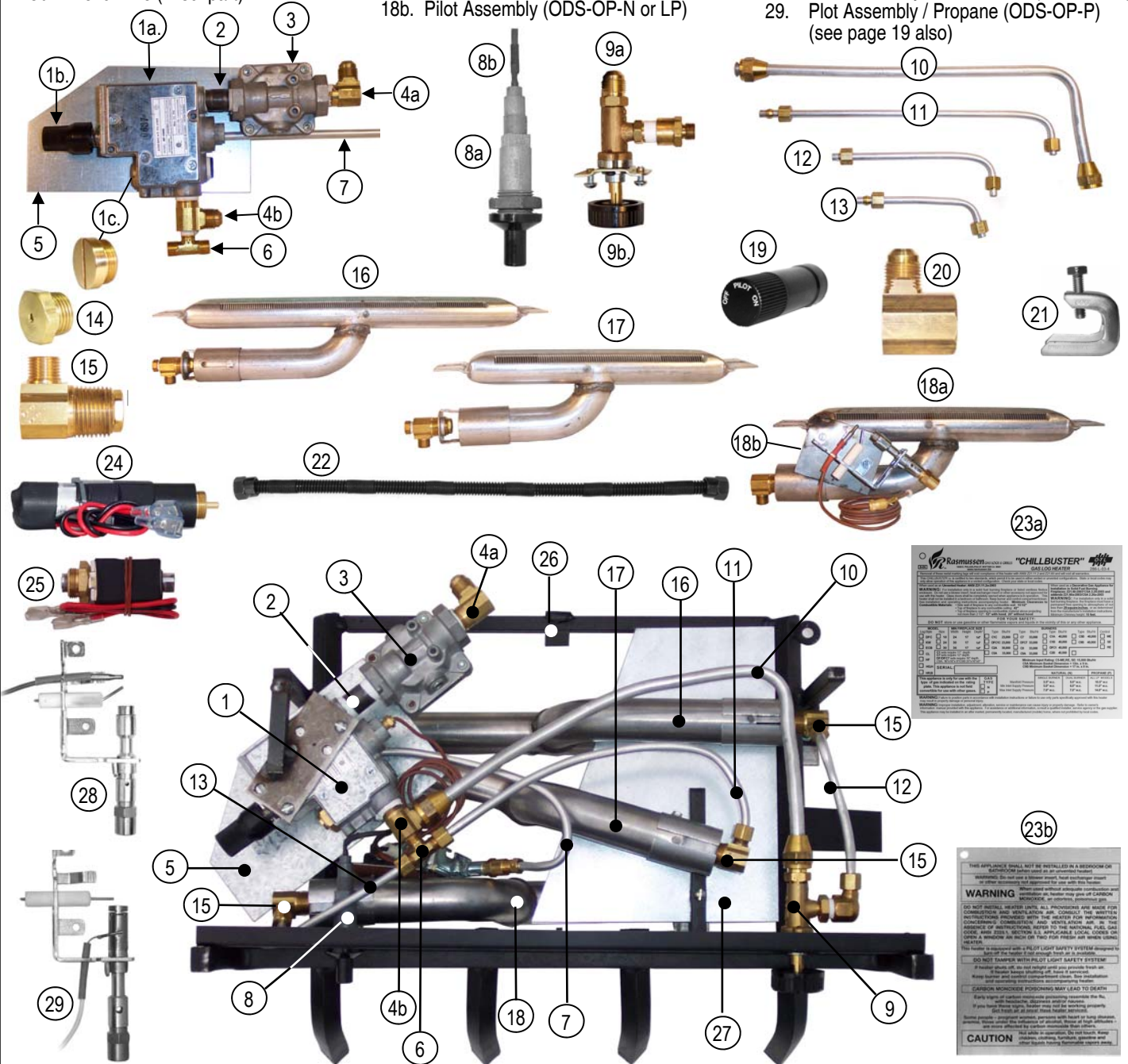
If not installed, operated and maintained in accordance with these instructions, this product could expose you to substances in fuel or from fuel combustion which are known to the State of California to cause cancer, birth defects or other reproductive harm.

PARTS LIST

REQUIRED TOOLS AND MATERIALS

Adjustable Wrench and Pipe Wrench. Pipe Sealing compound is **required** if fittings not already pre-threaded with Teflon tape to prevent gas leaks. **DO NOT** use Teflon tape or pipe compound on other tapered fittings.

- | | | |
|---|---|--|
| 1a. "EASY" Safety Valve (STV-10) | 9a. Rear Burner Control Valve | 19. Valve Knob Extender "ME" Models (STV-KE2) |
| 1b. "EASY" Safety Valve Knob | 9b. Rear Burner Control Knob | 20. 3/8" x 1/2" FIP Flared Brass Fitting (A1) |
| 1c. Valve Plug ("ME" Models) (also used when replacing, servicing or upgrading "EASY" Safety Valve) | 10. 3/8" x 15 Gas Output Tubing | 21. Damper Clamp(DC1) |
| 2. 3/8" x 1 1/2" Nipple | 11. 1/4" x 11" Tubing | 22. Flex Connector (SSCB-18) |
| 3. Regulator (R1-5.0 Natural Gas/ R1-10.5 Propane) | 12. 1/4" x 6 1/2" Tubing | 23a. Rating/Serial Plate |
| 4a. Gas Supply Input (A2) | 13. 1/4" x 5" Tubing | 23b. Warning Plate |
| 4b. Gas Supply Output (A2T) | 14. Orifice Spud - C5A/B <u>Natural</u> front (#55), Middle (#56), C5A Rear (#44), C5B rear (#42) - <u>Propane</u> front and middle (#67) C5A rear (#56) C5B rear (#53) | 24. Variable Flame Height Motordrive* (-RE Models) (STV-VMD) |
| 5. Heat Shield for Gas Valve (C5E-HS) | 15. Orifice Holder (Front, Middle and Rear Burners) | 25. Remote Ready Solenoid* (-SE Models) (STV-LS) |
| 6. T connector fitting (72-4-2-1B) | 16. Rear Burner (CE-B24R) | *See following page for wireless accessories. |
| 7. 1/4" x 11" Pilot Tubing | 17. Middle Burner (CE-A18R) | 26. Grate (C5 OLD STYLE / C5E) |
| 8a. Piezo Igniter Assembly | 18a. Front Burner (Pilot Attached) (CE-A18R) | 27. Heat Shield (misc. part) |
| 8b. Piezo Wire (misc. part) | 18b. Pilot Assembly (ODS-OP-N or LP) | 28. Pilot Assembly / Natural Gas (ODS-OP-N) |
| | | 29. Pilot Assembly / Propane (ODS-OP-P) (see page 19 also) |



DO NOT MIXTURE		DO NOT MIXTURE		DO NOT MIXTURE		DO NOT MIXTURE	
Gas	Pressure	Gas	Pressure	Gas	Pressure	Gas	Pressure
Natural Gas	5.0	Propane	10.5	Natural Gas	5.0	Propane	10.5
Natural Gas	10.5	Propane	5.0	Natural Gas	10.5	Propane	5.0

WARNING: Any change to this appliance or its controls can be dangerous.

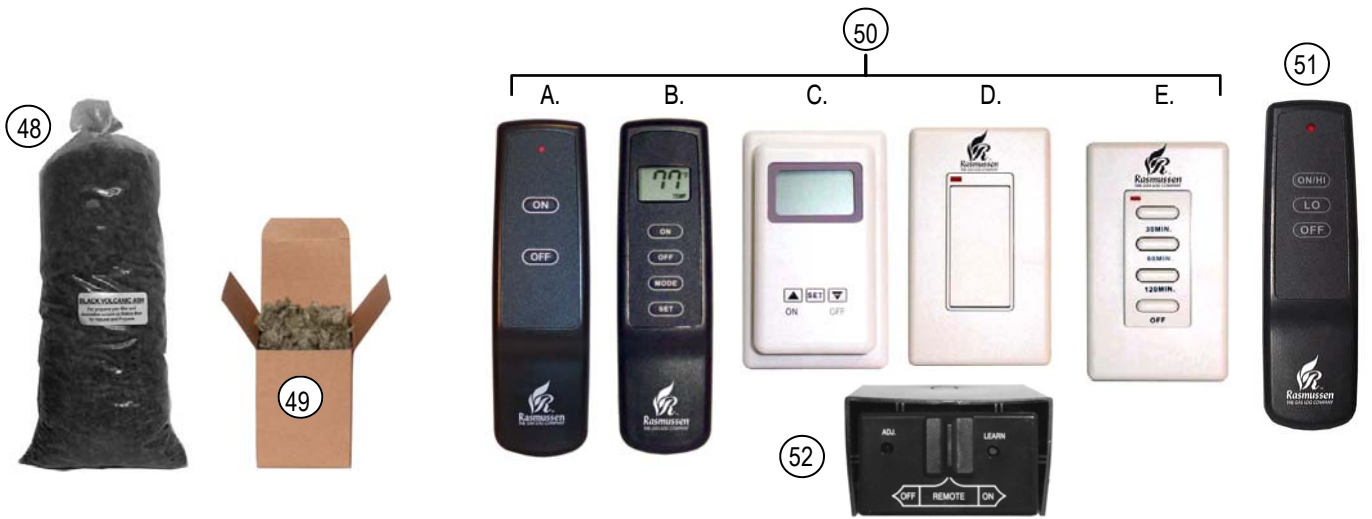
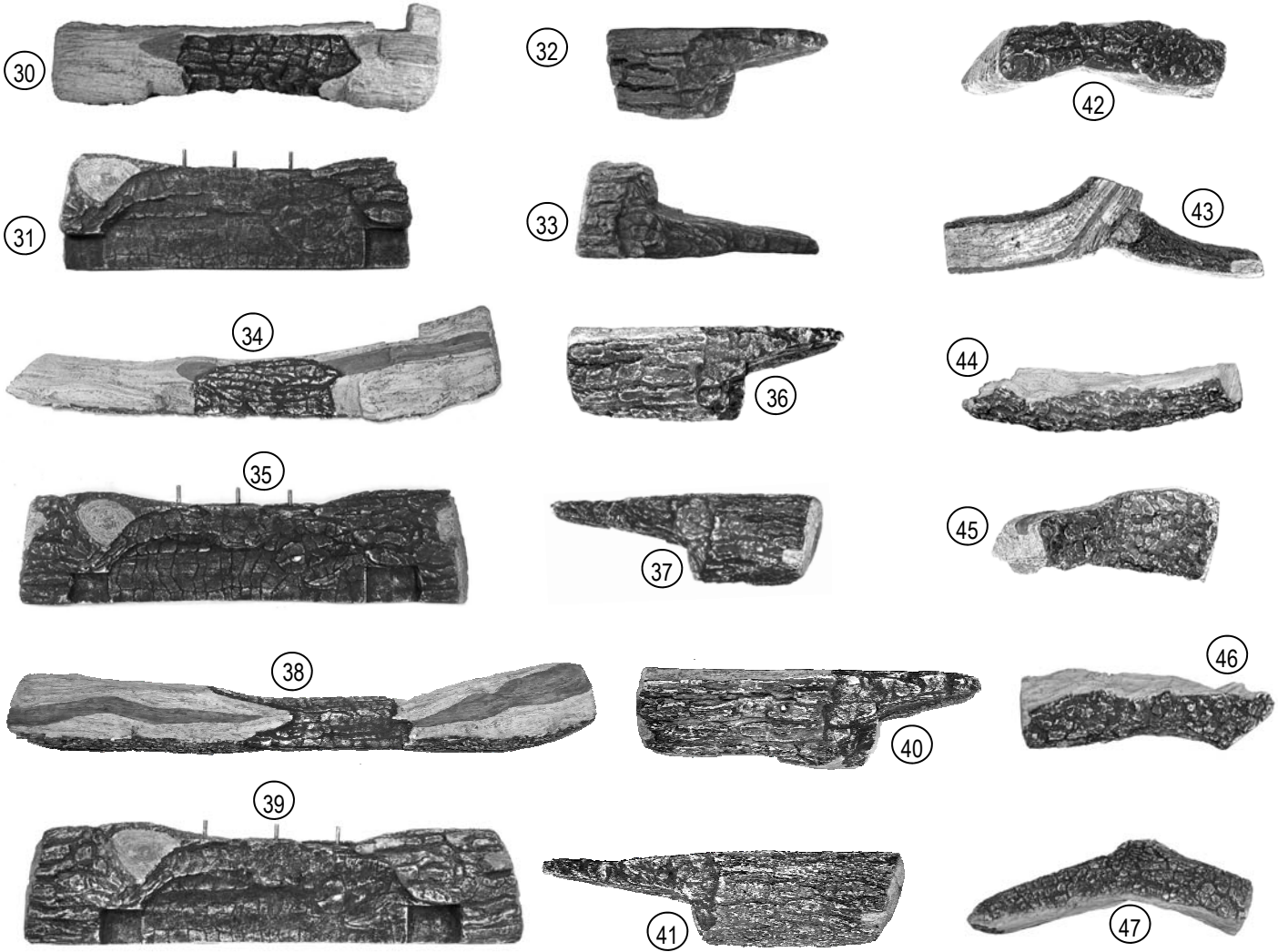
THIS APPLIANCE SHALL NOT BE INSTALLED IN A BEDROOM OR BATHROOM UNLESS IT IS VENTED TO THE OUTSIDE THROUGH AN EXTERIOR WALL OR THROUGH AN EXISTING EXHAUST FAN. NEVER USE THIS APPLIANCE IN A BATHROOM OR BEDROOM UNLESS IT IS VENTED TO THE OUTSIDE THROUGH AN EXTERIOR WALL OR THROUGH AN EXISTING EXHAUST FAN.

CAUTION: NEVER MIXTURE PROCEEDINGS MAY LEAD TO DEATH.

WARNING: Any change to this appliance or its controls can be dangerous

LOGS AND ACCESSORIES

- 30. HF18 Front Log (H7)
- 31. HF18 Rear Log (H6)
- 32. HF18 Left Middle Log (H9)
- 33. HF18 Right Middle Log (H11)
- 34. HF 24 Front Log (H1)
- 35. HF24 Rear Log (H5)
- 36. HF24 Left Middle Log (H2)
- 37. HF24 Right Middle Log (H3)
- 38. HF30 Front Log (H8)
- 39. HF30 Rear Log (H4)
- 40. HF30 Left Middle Log (H10)
- 41. HF30 Right Middle Log (H12)
- 42. Left Top Log for 18" and 24" Models (H14)
- 43. Middle Top Log all models (S25)
- 44. 2nd Middle Top Log all models (H13)
- 45. Right Top Log for 18" and 24" Models and 2nd Left Top Log for 30" Models (D7)
- 46. Top Left Log 30" Models (C10)
- 47. Top Right Log 30" Models (H15)
- 48. Black Volcanic Ash (VA5)
- 49. Ember Magic (EMCB)
- 50. Wireless Remote Transmitter Devices For "-SE" Models (each sold separately)
 - a. Wireless Hand-Held ON/OFF Remote (SR-2R)
 - b. Wireless Hand Held ON/OFF Remote with Thermostat (THR-2R)
 - c. Wireless Wall Timer (30/60/120 Minutes) (WT-2R)
 - d. Wireless Wall Thermostat (TS-2R)
 - e. Wireless Wall Switch (WS-2R)
- 51. Wireless Hand Held Variable Remote for "-RE" Models (STR-RMD)
- 52. Remote Receiver for "-SE" or "-RE" models (BPR3)



VENT FREE APPLICATIONS • SPACING CALCULATIONS

This heater shall not be installed in a “confined” space or unusually tight construction unless provisions are provided for adequate combustion and ventilation air.

The “**National Fuel Gas Code, ANSI Z223.1/NFPA 54**” defines a confined space as a space whose volume is less than 50 cubic feet per 1000 Btu per hour (4.8 m³ per kW) of the aggregate input rating of all appliances installed in that space and an unconfined space as a space whose volume is not less than 50 cubic feet per 100 Btu per hour (4.8 m³ per kw) of the aggregated input rating of all appliances installed in that space. Rooms communicating directly with the space in which the appliances are installed, through openings not furnished with doors, are considered a part of the unconfined space.

Calculations to Determine Confined or Unconfined Space:

1. Determine number of rooms (including adjoining rooms with odorless passageways or ventilation grates.)

Example: Living room/Dining Room + Kitchen

2. Determine the Total Volume of the Space (Width x Length x Height).

Example: Living room/Dining Room 14' x 20' x 8' = 2240 cu ft.

Kitchen 8' x 12' x 8' = 768 cu ft.

Total Volume of Space 3008 cu ft.

3. Divide the total volume of space by **50 cu ft** to determine the **Maximum Supportable Btu/Hr.**

Example: 3008 cu ft ÷ 50 = 60.160 x 1000 = 60,160

Maximum Supportable Btu/Hr. = 60,160 Btu/Hr.

4. Add the rated (Btu/hr) of all fuel burning appliances in the “space” to determine **Actual Btu/Hr. used.**

Example: Vent free gas log heater 40,000 Btu/Hr.

+ Gas water heater 32,000 Btu/Hr.

= Actual Btu/Hr. Used 72,000 Btu/Hr.

Note: Do not include direct vent gas appliances.

5. Compare **Maximum Supportable Btu/Hr** to **Actual Btu/Hr Used.**

- If the **Actual Btu/Hr used.** is greater than the **Maximum Supportable Btu/Hr.** then the space is **CONFINED.**
- If the **Actual Btu/Hr used.** is **less than** the **Maximum Supportable Btu/Hr.** then the space is **UNCONFINED.**

Example: Maximum Supportable Btu/Hr = 60,160 Btu/Hr.

Actual Btu/Hr. Used = 72,000 Btu/Hr.

Difference = 11,840 Btu/Hr. = Excess Non-Supportable Btu/Hr.

Because the **Actual Btu/Hr used** Exceeds the **Maximum Supportable Btu/Hr** in this example, the space is considered a **Confined Space** requiring you to either increase the **Maximum Supportable Btu/Hr** by the difference, in this case 11,840 Btu/Hr. or decrease the **Actual Btu/Hr** used by the same amount. You may also choose to operate your ALTERNA™ as a Vented Appliance instead. (See notes and warnings regarding vented installation on Page 7)

Adequate Combustion And Ventilation Air Options:

- Increasing the **Maximum Supportable Btu/Hr.**
 1. Add to the number of rooms which comprise the “Space”. To do this you must either completely remove the door to an adjoining room, or provide two permanent ventilation grills; one within 12” of the ceiling and another within 12” of the floor.
 2. Provide extra fresh air using ventilation grills and ducts to the outdoors. You must provide two permanent openings. One within 12” of the ceiling and another within 12” of the floor. Connect these directly to the outdoors or spaces open to the outdoors, e.g., attics or crawl spaces. If this route is chosen you **MUST** follow the **National Fuel Gas Code NFPA 54/ANSI Z223.1, Section 5.3, Air for Combustion and Ventilation** for required size of ventilation grills or ducts.
- Lower the **Actual Btu/Hr used** by relocating other gas burning appliances outside the “space” or installing a lower Btu/Hr heater. In the example, the maximum Btu/Hr. of the heater could be no more than 28,160 Btu/Hr.

VENT FREE APPLICATIONS • COMBUSTION AIR CALCULATIONS

For our example, we have chosen to add to our **Total Volume of the Space** by removing the door to an adjoining study and increasing our **Maximum Supportable Btu/Hr** by the volume of the additional room. The new "space" calculations, including the additional adjoining room are: *Living room/Dining room & Kitchen 3008 cu ft*

$$\begin{array}{r} \text{Study (9' x 10' x 8')} \qquad \qquad \qquad 720 \text{ cu ft} \\ \hline \text{Total volume of space} \qquad \qquad \qquad 3728 \text{ cu ft} \end{array}$$

The new **Maximum Supportable Btu/Hr** = $(3728 \text{ cu ft} \div 50 \text{ cu ft}) \times 1000 = 74,560 \text{ Btu/Hr}$

74,560 Btu/Hr = Maximum Supportable Btu/Hr

-72,000 Btu/Hr = Actual Btu/Hr Used

2560 BTU/Hr = Remaining supportable BTU/H

Because the **Actual Btu/Hr** used is now less than the **Maximum Supportable Btu/Hr**, the space is considered an **Unconfined Space**. No additional fresh combustion and ventilation air would be required.

COMBUSTION AIR CALCULATIONS WORKSHEET

1.	Room	Width	Length	Height	W x L x H =Vol.(ft ³)
1a.					1a.
1b.					1b.
1c.					1c.
1d.					1d.
2.	Total Volume (ft³) The Sum of Volume of all rooms (add lines 1a. thru 1d.).				2.
3.	Max Supportable Btu/Hr = Total Volume (ft ³) ÷ 50 x 1000 (divide line 2. by 50 then multiply by 1000)				3.
4.	4a. Btu/hr	4b. Btu/hr	4c. Btu/hr	4d. Btu/hr	
	Actual Btu/hr used = The sum of Btu/hr of all fuel burning appliances inside the space identified as rooms 1a. thru 1b (add line 4a thru 4d).				4.
5.	(Maximum Supportable Btu/Hr) minus (Actual BTU/hr Used) (Subtract line 4. from line 3.)				5. *

* If Line 5 is greater than zero, the **Actual Btu/Hr Used** is **less** than the **Maximum Supportable Btu/Hr** and the space is considered **UNCONFINED**. No additional fresh combustion and ventilation is required.

* If Line 5 is zero or less, the **Actual Btu/Hr Used** is **greater** than **Maximum Supportable Btu/Hr** and the space is **CONFINED**. You must either **increase** the **Maximum Supportable Btu/Hr**, **decrease** the **Actual Btu/Hr Used** or **operate as a Vented Appliance** (See notes and warnings regarding vented installation on Page 7).

WARNING:

If the area in which the heater may be operated is smaller than that defined as an unconfined space or if the building is of *unusually tight construction*** , provide adequate combustion and ventilation air by one of the methods described in the National Fuel Gas Code, ANSI Z223.1 / NFPA 54, or applicable local codes.

****Unusually tight construction is defined as construction where:**

- a) Walls and ceilings exposed to the outside atmosphere have a continuous water vapor retarder with a rating of 1 perm ($6 \times 10^{-11} \text{ kg per pa-sec-m}^2$) or less with openings gasketed or sealed;
- b) Weather stripping has been added on openable windows and doors; and
- c) Caulking or sealants are applied to areas such as joints around window and door frames, between sole plates and floors, between wall-ceiling joints, between wall panels, at penetrations for plumbing, electrical, and gas lines, and at other openings.

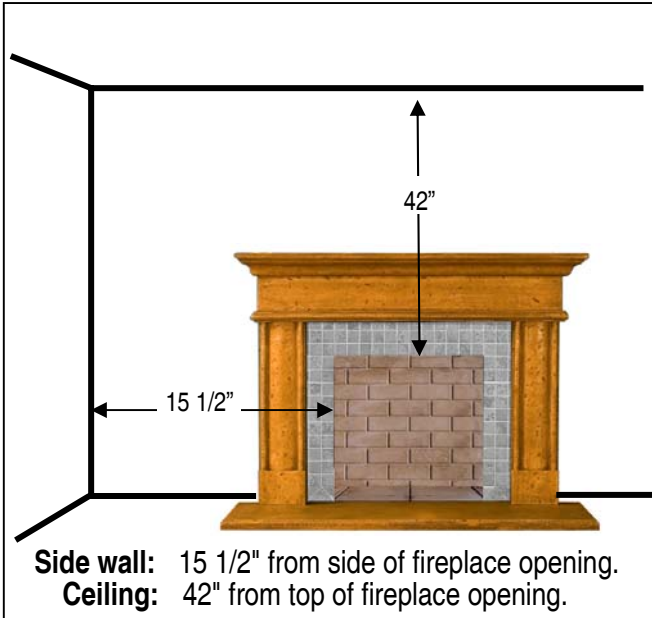
VENT FREE APPLICATIONS • MINIMUM CLEARANCES TO COMBUSTIBLES

WARNING:

Be certain that combustible flooring material (i.e.; carpet, tile etc.) is not too close to this gas appliance. If this appliance is at floor level or less than 6" above the floor, there must be at least 12" of noncombustible material between the base of the fireplace and any combustible flooring.

When operated as a **Vent Free Heater**, the minimum clearances from the fireplace opening to combustible materials must be maintained as outlined below .

MINIMUM CLEARANCES TO SIDE WALL AND CEILING



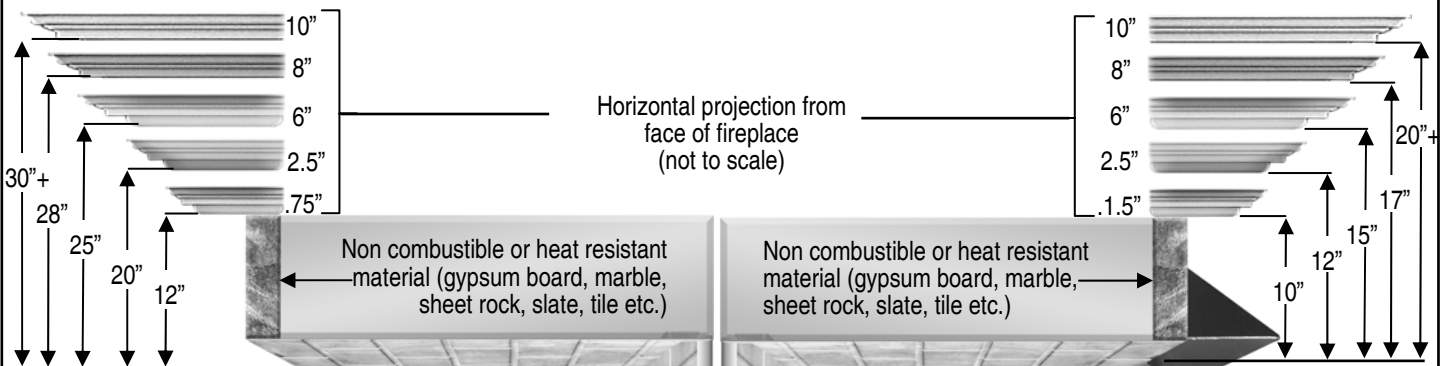
NOTE:

Clearances to Combustible Construction are those distances required to ensure that a fireplace mantel or facing will not catch fire. In most cases they should also be adequate to prevent any discoloration or warping due to heat. However, each and every decorative gas appliance installation (**CHILLBUSTER™** included) presents a different and completely unique set of circumstances involving many variables beyond the control of the manufacturer. These include paint or finish composition, previous exposure to heat, methods and quality of construction, air flow patterns, glass doors, fans or blowers, etc. Because of these variables, we cannot guarantee that heat warping or discoloration will never occur. The potential for heat warping or discoloration may exist whether you are burning an **CHILLBUSTER™**, some other manufacturer's decorative gas appliance or even wood.

MANTEL CLEARANCE WITHOUT HOOD

A fireplace hood deflects heat away from the fireplace face and mantel, reducing the potential for heat related warping or discoloration. **The use of a fireplace hood is highly recommended.***

MANTEL CLEARANCE WITH HOOD



Distances from Top of Firebox Opening to Underside of Mantel

Height Above Opening	Projection Out From Face
0-12"	0"
12"-20"	3/4"
20"-25"	2 1/2"
25"-28"	6"
28"-30"	8"
30" plus	10"



*Standard Fireplace Hood with a minimum 4 inch horizontal projection



Distances from Top of Firebox Opening to Underside of Mantel

Height Above Opening	Projection Out From Face
0"-10"	0"
10"-12"	1 1/2"
12"-15"	2 1/2"
15"-17"	6"
17"-20"	8"
20" plus	10"

IF YOU CANNOT MEET THESE MINIMUM CLEARANCES YOU MUST OPERATE THE APPLIANCE AS A VENTED APPLIANCE WITH CHIMNEY FLUE DAMPER OPEN. (See notes regarding vented installation on following page)

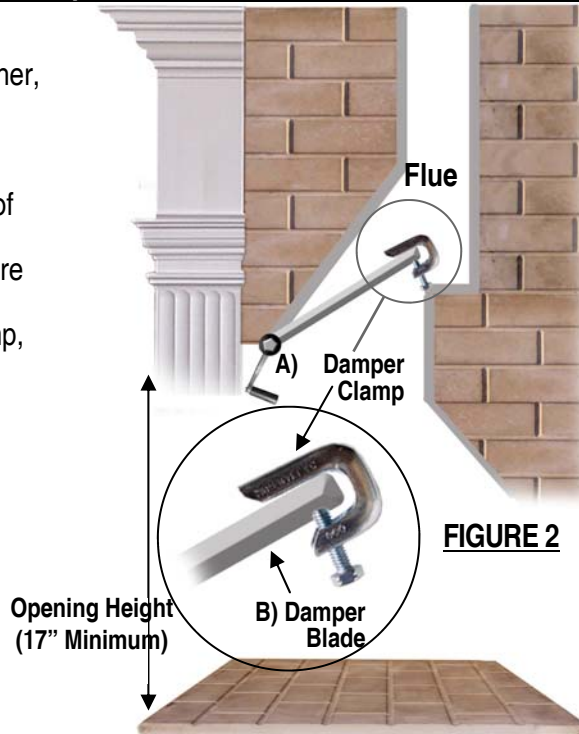
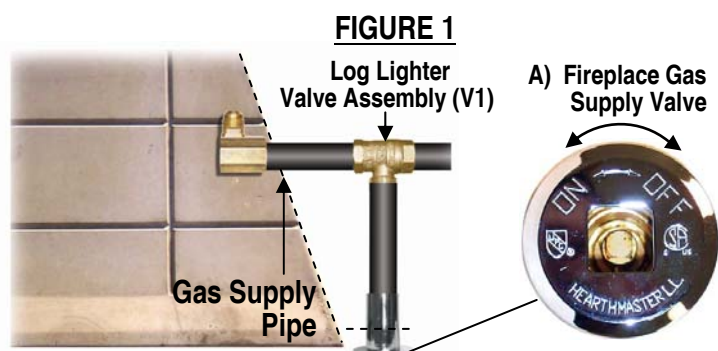
GENERAL INSTALLATION INSTRUCTIONS

WARNING: Failure to position the parts in accordance with these diagrams or failure to use only parts specifically approved with this heater may result in property damage or personal injury.

The installation and the provisions for combustion and ventilation air must conform with *The National Fuel Gas Code ANSI Z223.1 / NFPA54, or The CSA B149.1, Natural Gas and Propane Installation Code, latest edition.*

STEP ONE: PREPARATION (ALL MODELS)

1. Verify that the Valve Assembly is correctly matched to the set, burner, and gas supply.
2. Insure that **Fireplace Gas Supply** is off (Figure 1A).
3. Thoroughly clean fireplace floor of any ashes and have a qualified chimney cleaner insure that the chimney flue and firebox are free of soot, creosote, ashes and loose paint.
4. **(VENTED INSTALLATIONS ONLY)** Attach **Damper Clamp** (Figure 2A) over edge of fireplace **Damper Blade** (Figure 2B) to prevent damper from closing accidentally. If unable to attach damper clamp, drill a hole (or holes) in the damper or remove it completely.



The minimum permanent free opening of the fireplace chimney or chimney damper must be **29 sq. inches** based upon a minimum chimney height of at least 10 feet. Solid Fuels shall not be burned in a masonry or UL 127 factory built fire place where an **CHILLBUSTER™** is installed.

LEAK TEST PROCEDURES

WARNING: DO NOT use an open flame to test leaks!

Create a mixture of equal parts soap and water. Apply to all the joints of the pipe fittings from the gas supply to the burner. Turn on the gas supply valve for no longer than 3-5 seconds. If bubbles appear in the soap solution applied to the joints, there is a leak. Turn off the gas supply valve and tighten those fittings. Repeat the procedure until no more bubbles appear. Test all joints. **NOTE:** Always perform a leak test any time the appliance has been moved or disconnected from the gas supply line.

WARNING!

VENTED INSTALLATIONS

WARNING!

THE CHIMNEY DAMPER MUST BE WIDE OPEN AND FIXED IN A MANNER TO MAINTAIN A PERMANENT FREE OPENING AT ALL TIMES AS OUTLINED ABOVE. THE AREA OF THE FLUE MUST BE NOT LESS THAN 1/10 THE AREA OF THE FIREPLACE OPENING. THIS DECORATIVE GAS APPLIANCE MUST BE INSTALLED IN A FULLY VENTED METAL OR MASONRY FIREPLACE WITH A WORKING FLUE THAT IS SAFE FOR BURNING A WOOD FIRE. THE FLUE MUST BE FREE OF ANY OBSTRUCTIONS AND MUST EXHAUST ALL PRODUCTS OF COMBUSTION. DAMPER AND GLASS DOORS MUST BE FULLY OPEN BEFORE LIGHTING OR BURNING FOR PROPER VENTILATION AND TO PREVENT HEAT DAMAGE TO THE VALVE.

WARNING! CHECK FOR PROPER VENTING

A properly sized, unobstructed chimney will normally vent all products of combustion. Any odor or smoke detected inside the room is an indication that the flue is not functioning properly.

SHUT OFF THE BURNER IMMEDIATELY! THE CAUSE OF THE VENTING PROBLEM MUST BE DISCOVERED AND CORRECTED BEFORE CONTINUED USE.

Continued use with improper venting may cause damage to your fireplace, room furnishings and could cause serious illness. **IF IMPROPER VENTING IS SUSPECTED, IMMEDIATELY HAVE THE APPLIANCE AND CHIMNEY FLUE SERVICED.**

In the Commonwealth of Massachusetts:

- Installation must be performed by a licensed plumber or gas fitter.
- The chimney flue damper, when used with gas logs, will be welded open or completely removed.
- A CO detector shall be installed in the room where the appliance is installed.

INSTALLATION AND CONNECTION

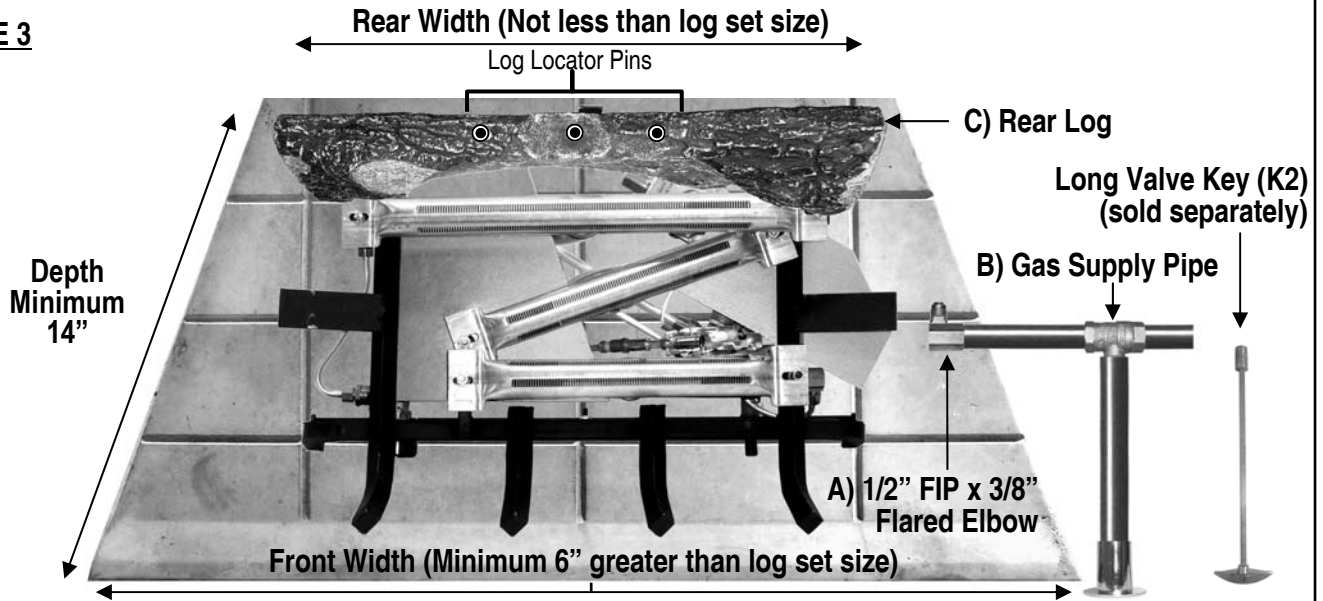
(Vent Free Models consult "Step One, Preparation" on previous page before continuing)

WARNING: Failure to position the parts in accordance with these diagrams or failure to use only parts specifically approved with this heater may result in property damage or personal injury.

STEP TWO: BURNER INSTALLATION AND GAS SUPPLY CONNECTION

1. Insure that the Gas Supply to the Fireplace is turned off and verify correct gas type and proper gas pressures.
2. Thread **1/2" FIP x 3/8" Flared Elbow** (Figure 3A) onto the **Gas Supply Pipe** (Figure 3B) and wrench tighten.
3. Place **Rear Log** on grate with flat unpainted side facing rear wall and **Guide Pins** facing up (Figures 3C and 4 below). The left and right **Log guide grooves** should lock in place behind the left and right ends of the rear burner.
4. Place Chillbuster™ inside firebox or approved enclosure centered from left to right and as far to the rear of the firebox as possible. Remove rear log and thread one end of the supplied **Flex Connector** (Figure 5A bottom right) to the **Valve Input** (Figure 5B), then connect the other end to the **1/2" FIP x 3/8" Flared Elbow** (Figure 5C) attached to the Gas Supply Pipe. If Flex Connector is bent into too small a radius it may kink or break causing air flow noise and /or gas leaks.

FIGURE 3



The minimum size of the fireplace in which this CHILLBUSTER™ is to be installed is as follows; Minimum opening height 17 in. (previous page), Firebox depth, 14 inches (Figure 3 above). Front width shall be a minimum of 6" greater than log set size.

FIGURE 4

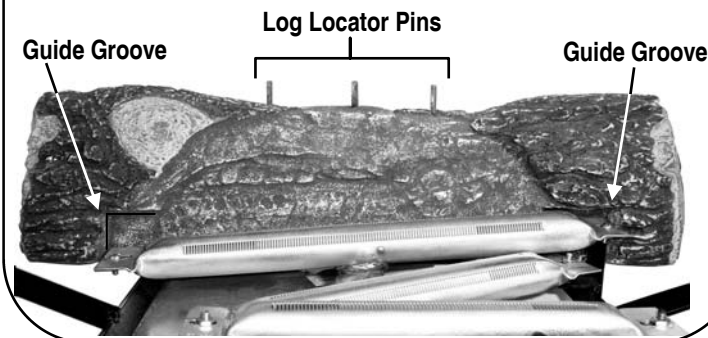
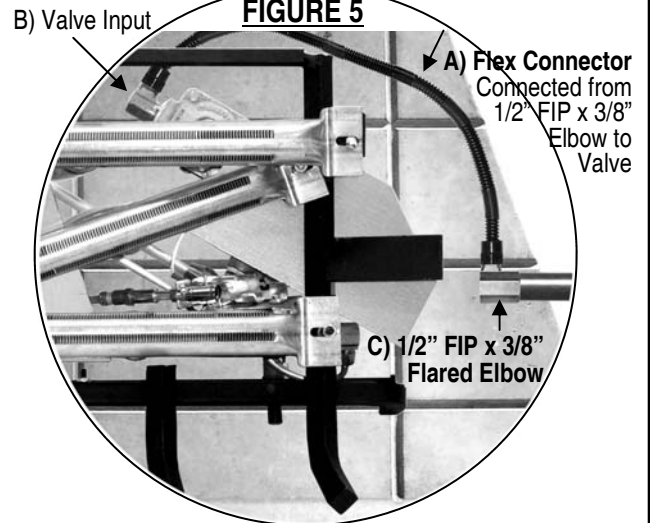


FIGURE 5



MINIMUM AND MAXIMUM INLET GAS SUPPLY PRESSURE

The minimum inlet gas supply pressure shall be 5 inches of water column on Natural Gas and 11 inches of water column on Propane. The maximum inlet gas supply pressure shall be 7 inches of water column on Natural Gas and 14 inches of water column on Propane. The appliance and its main gas valve must be disconnected from the gas supply piping system during any pressure testing of that system at test pressures in excess of 1/2 psi (3.5 kPa) and isolated from the gas supply piping system during any pressure testing at equal to or less than 1/2 psi (3.5 kPa).

STEP FOUR: HF18 LOG PLACEMENT

1. **FRONT LOG:** Align **Front Log Guide Groove** (Figure 6A) with right end of **Front Burner** (Figure 6 and 7B) and position **Front Log** between **Front Burner** and **Grate Teeth** as shown in Figure 7C.

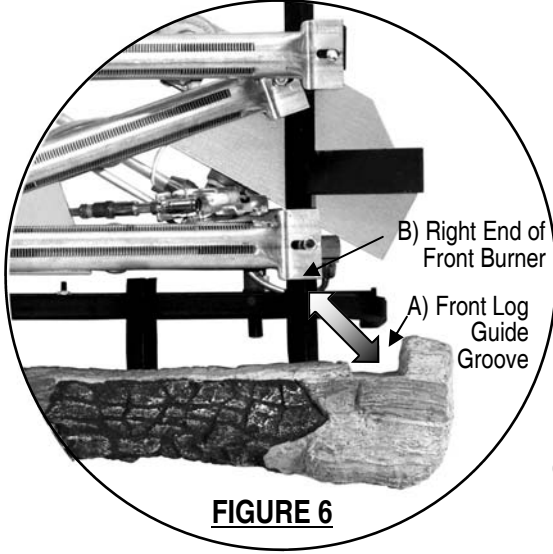


FIGURE 6

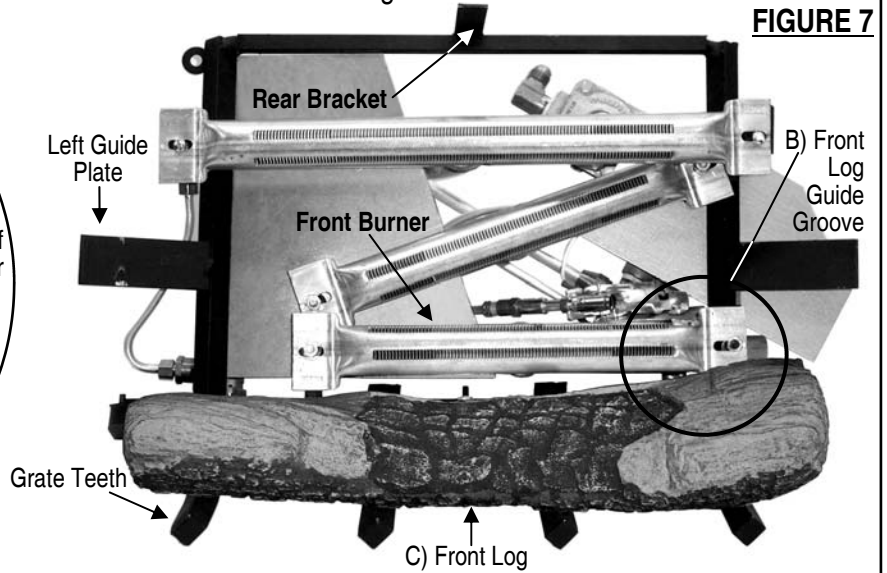


FIGURE 7

2. **LEFT MIDDLE LOG:** Align **Left Middle Log** guide groove (Figure 8A) over the **Left Guide Plate** (Figure 8B) and position log between the **Middle Burner** and **Rear Burner** as shown in Figure 9.

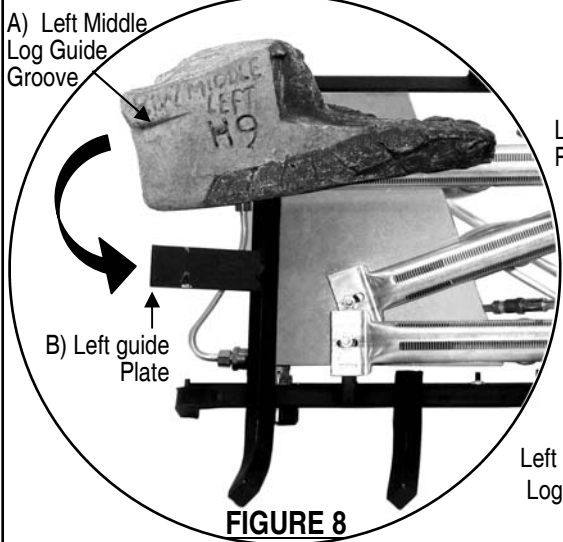


FIGURE 8

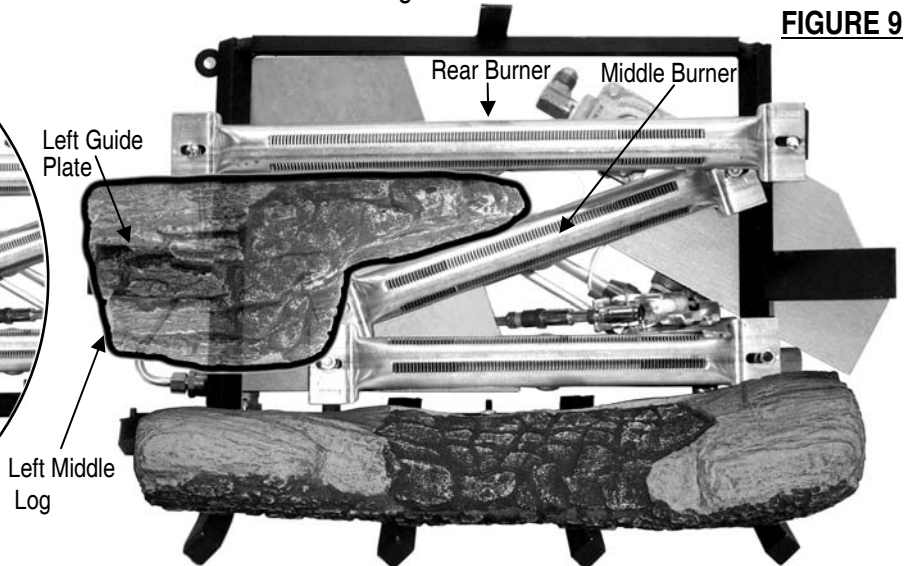


FIGURE 9

3. **RIGHT MIDDLE LOG:** Align **Right Middle Log** (Figure 10A) guide groove over **Right Guide Plate** (Figure 10B) and **Pilot** (Figure 10C). Place between the **Front Burner** and the **Middle Burner** (Figure 11A).

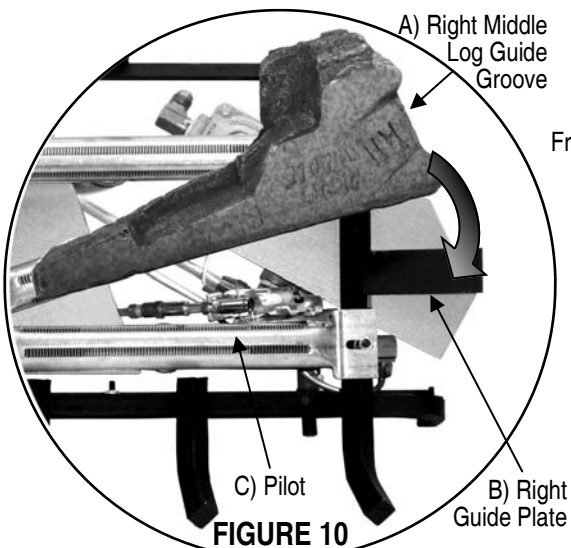


FIGURE 10

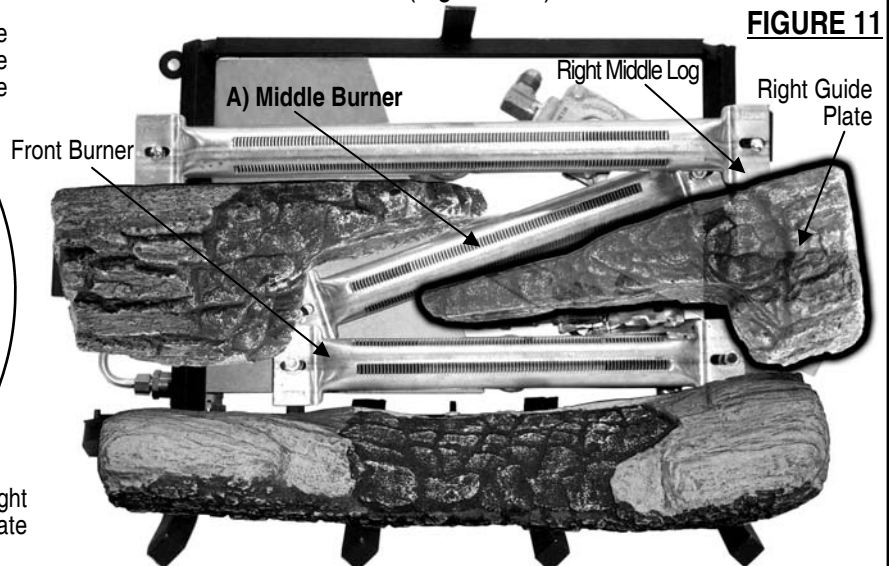
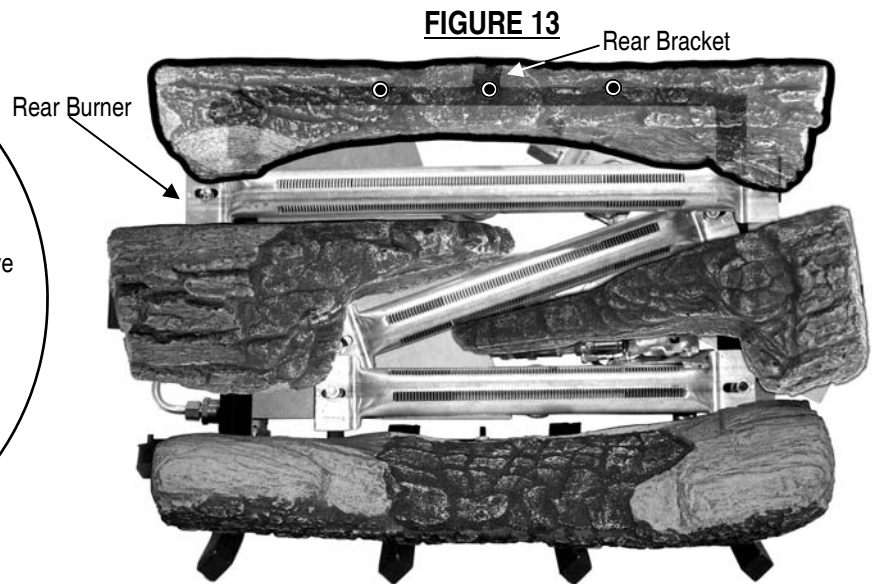
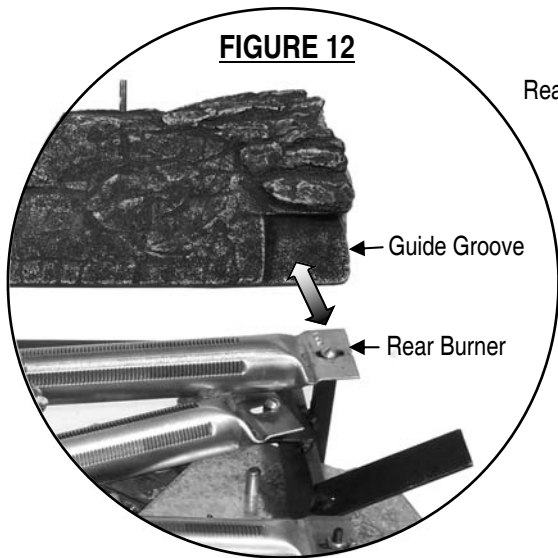


FIGURE 11

STEP FOUR: HF18 LOG PLACEMENT AND PAN MEDIUM

4. **REAR LOG:** Replace Rear Log aligning Guide Grooves to each end of the Rear Burner as done in Step 2 Installation. (Figure 12) Position between the Rear Bracket and Rear Burner (Figure 13).

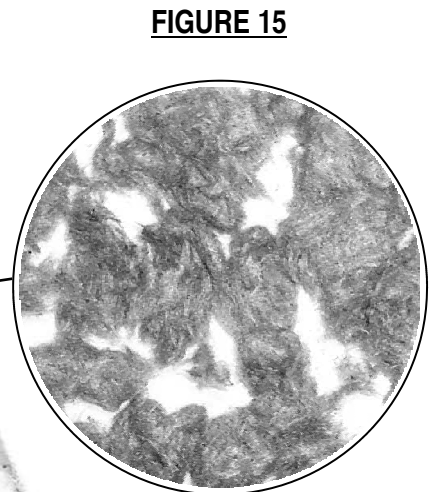
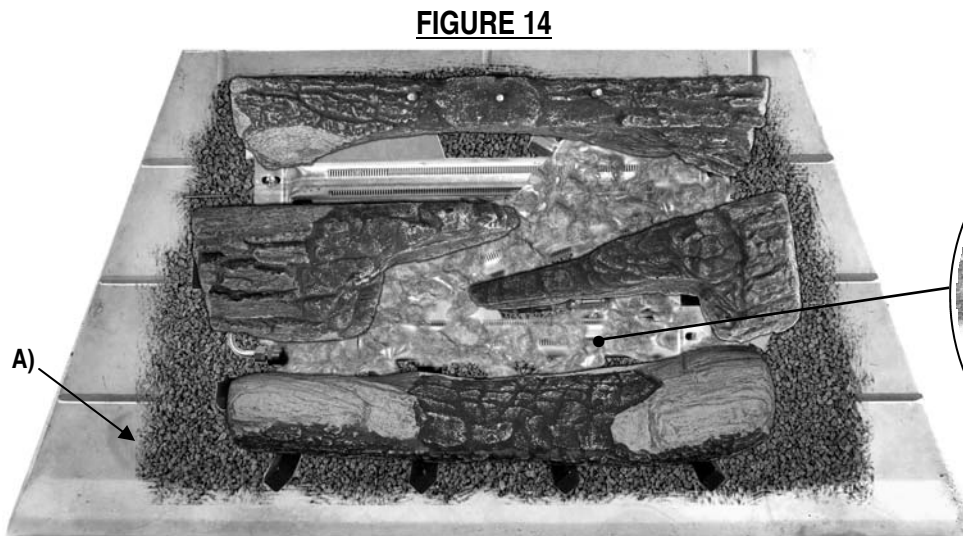


WARNING: Failure to position the parts in accordance with these diagrams or failure to use only parts specifically approved with this heater may result in property damage or personal injury.

PAN MEDIUM

5. **EMBER MAGIC:** With the Front, Middle and Rear Logs on the Grate as shown in Figure 28, bottom left), pull the Ember Magic apart into loose, thin pieces and completely cover the Front, Middle and the right side of the Rear Burners. Ember Material should be one to two pieces of ember material in depth and should uniformly cover the Burners, Including the Pilot. To ensure proper ignition and combustion gently loosen & lift Ember Material with a screw driver.

NOTE: Thinner, less densely packed pieces of Ember Material will enhance the overall glowing ember effect, e.g., the looser the pieces, the better the glowing ember effect (Figure 15)!



Volcanic Ash Placement:

Volcainc Ash should only be used on the firebox floor as floor dressing (Figure 14A above). **DO NOT** place Volcainc Ash (or any other material other than the Ember Material provided) on top of the burners!!!

WARNING:

Excessive amounts of Ember Material or Ember Material which is too tightly packed, or exposed ports on Front or Middle burner can result in decreased combustion performance and elevated levels of carbon monoxide.

STEP FOUR: HF18 TOP LOG AND RECEIVER PLACEMENT

6. TOP LOGS

Using the log locator holes and pins, Place the **Large Center Log (S25)** onto the **Center Pin** on the **Rear Log (Figures 16 and 17)**. Place the **Small Center Log (H13)** onto the pin on the Large Center Log (Figures 16 and 18). Place the **Left Top Log (H14)** over the **Left Pin** and the **Right Top Log (D7)** over the **Right Pin** on the **Rear Log**. (Figures 16 and 17)

FIGURE 16

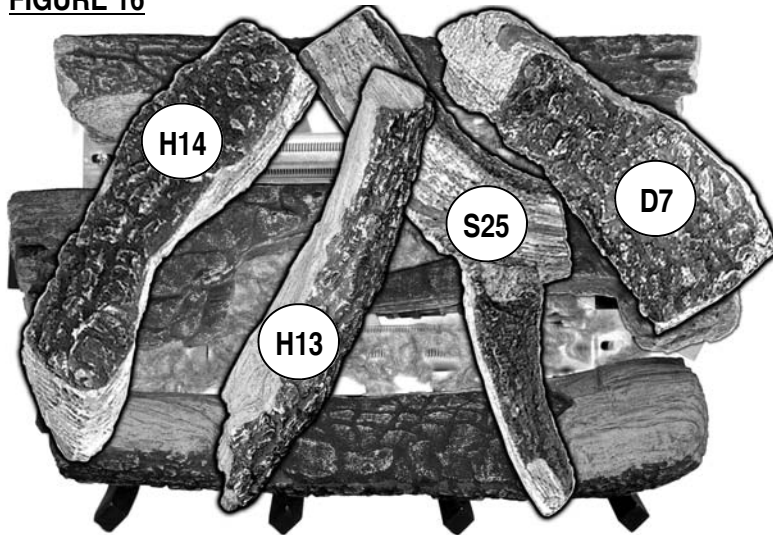


FIGURE 17 Log locator pins for;

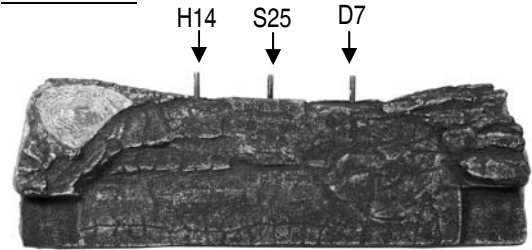
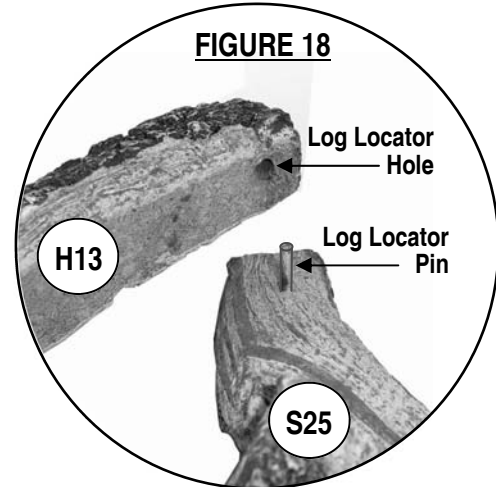


FIGURE 18

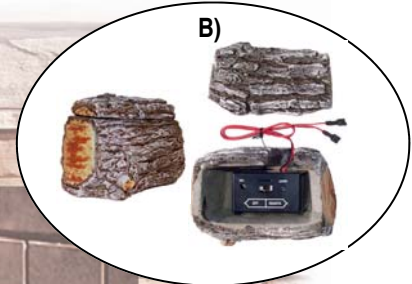


REMOTE RECEIVER PLACEMENT

The Remote Receiver (-RE and -SE models) can be adversely affected by heat and must be placed as **far forward and to the side of your CHILLBUSTER™ as possible** (Figure 19A). When connecting receiver to Motordrive ("-RE" models) or Solenoid ("SE models) be sure to match red and black connectors, red to red and black to black). Our optional **Ceramic Log House** accessory (Figure 19B), offers heat protection for the Remote Receiver while being pleasing to the eye. Also sold separately, is our "Stand Alone Crackler" which mimics the sound of a crackling fire adding a cozy feel to your log set.



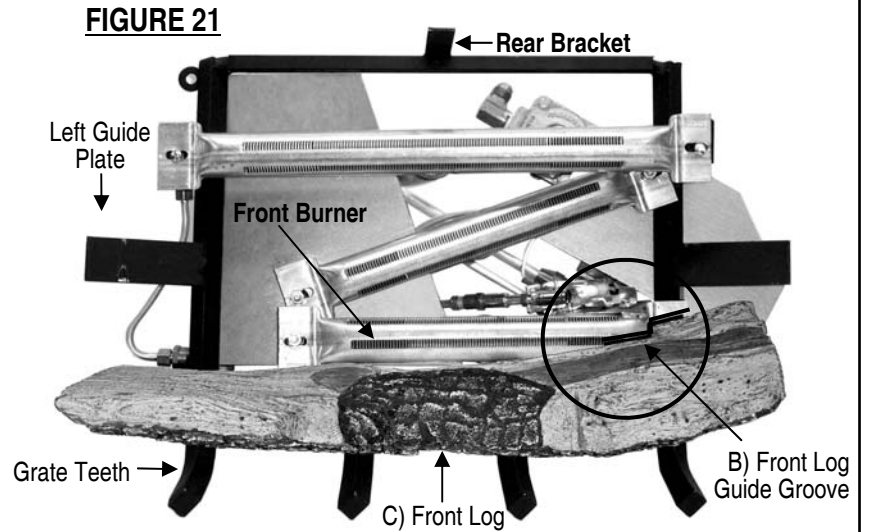
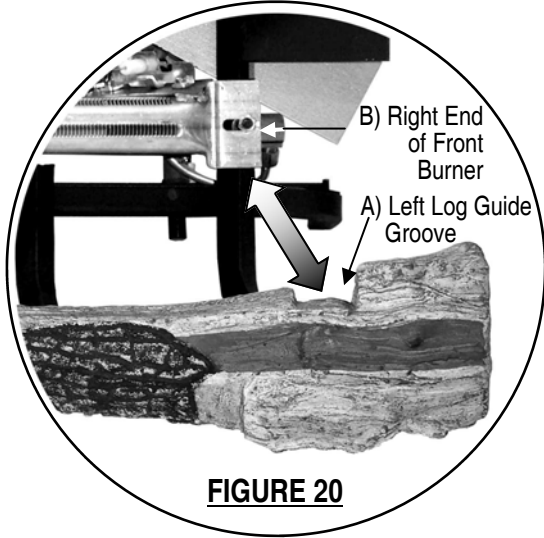
FIGURE 19



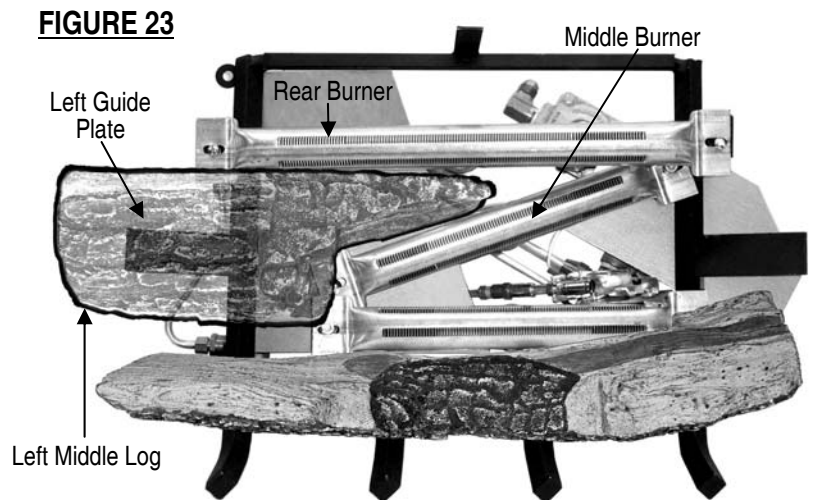
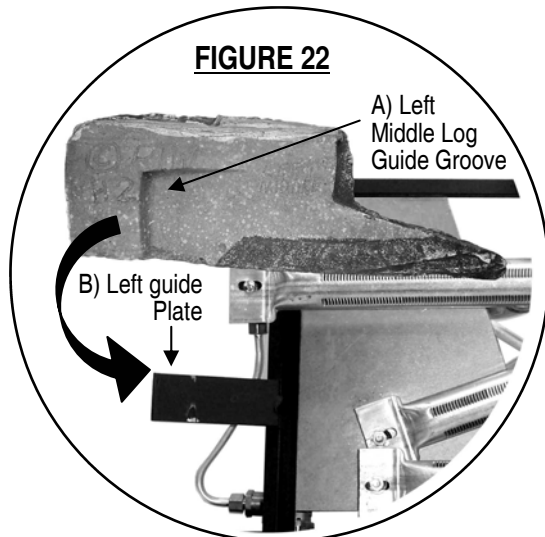
WARNING: Failure to position the parts in accordance with these diagrams or failure to use only parts specifically approved with this heater may result in property damage or personal injury.

STEP FOUR: HF24 LOG PLACEMENT

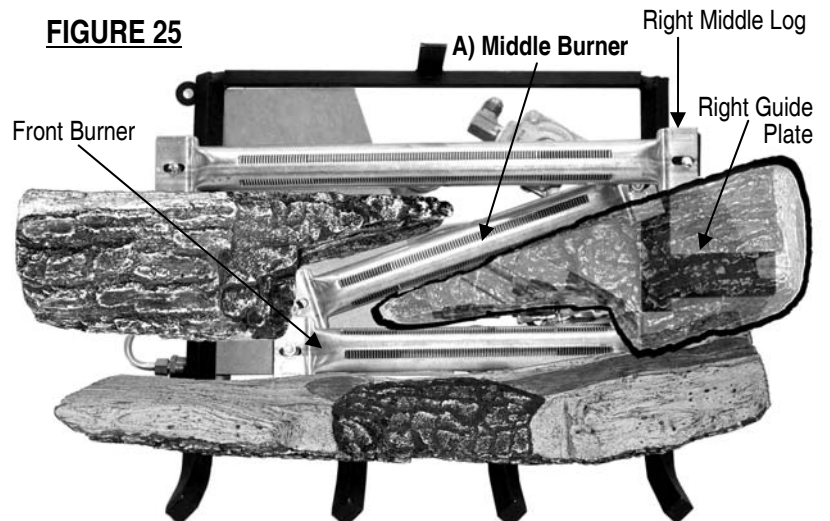
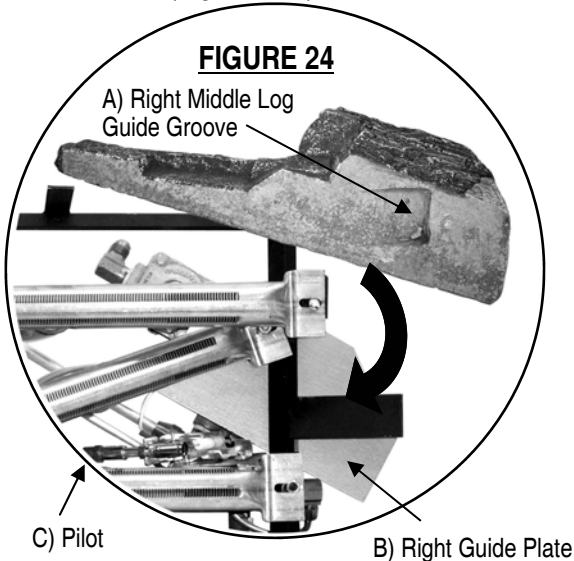
1. **FRONT LOG:** Align **Front Log Guide Groove** (Figure 20A) with right end of **Front Burner** (Figure 20 and 21B) and position **Front Log** between **Front Burner** and **Grate Teeth** As shown in Figure 21C.



2. **LEFT MIDDLE LOG:** Align **Left Middle Log** guide groove (Figure 22A) over the **Left Guide Plate** (Figure 22B) and position log between the **Middle Burner** and **Rear Burner** as shown in Figure 23.

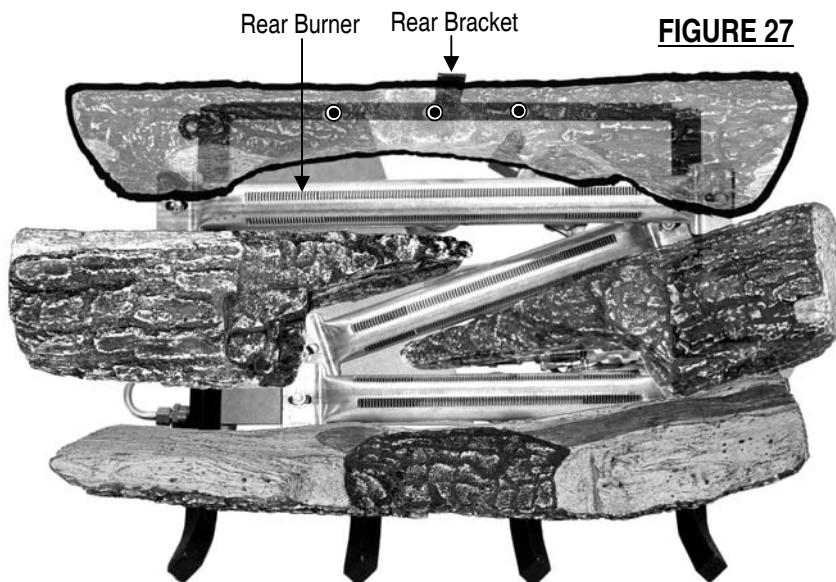
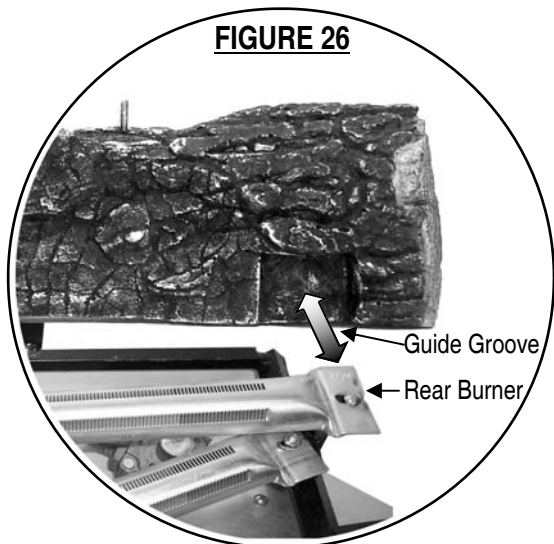


3. **RIGHT MIDDLE LOG:** Align **Right Middle Log** (Figure 24A) guide groove over **Right Guide Plate** (Figure 24B) and **Pilot** (Figure 24C). Place between the **Front Burner** and the **Middle Burner** (Figure 25A).



STEP FOUR: HF24 LOG PLACEMENT AND PAN MEDIUM

4. **REAR LOG:** Replace Rear Log aligning Guide Grooves to each end of the Rear Burner as done in Step 2 Installation (Figure 26). Position between the Rear Bracket and Rear Burner (Figure 27).



WARNING: Failure to position the parts in accordance with these diagrams or failure to use only parts specifically approved with this heater may result in property damage or personal injury.

PAN MEDIUM

5. **EMBER MAGIC:** With the Front, Middle and Rear Logs on the Grate as shown in Figure 28, bottom left), pull the Ember Magic apart into loose, thin pieces and completely cover the Front, Middle and the right side of the Rear Burners. Ember Material should be one to two pieces of ember material in depth and should uniformly cover the Burners, including the Pilot. To ensure proper ignition and combustion gently loosen & lift Ember Material with a screw driver.

NOTE: Thinner, less densely packed pieces of Ember Material will enhance the overall glowing ember effect, e.g., the looser the pieces, the better the glowing ember effect (Figure 29)!

FIGURE 28

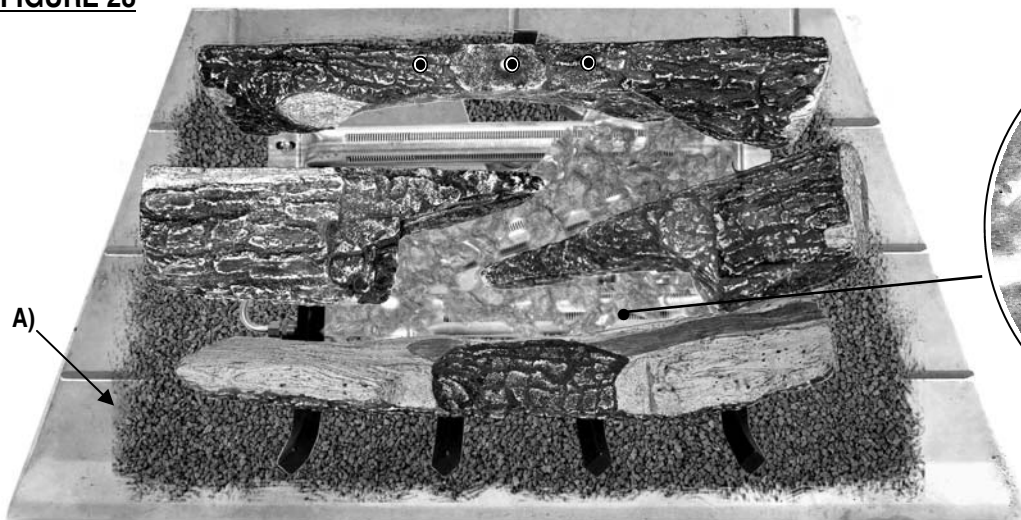
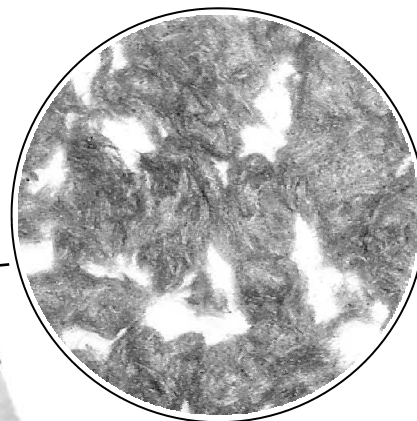


FIGURE 29



Volcanic Ash Placement:

Volcanic Ash should only be used on the firebox floor as floor dressing (Figure 28A above). **DO NOT** place Volcanic Ash (or any other material other than the Ember Material provided) on top of the burners!!!

WARNING:

Excessive amounts of Ember Material or Ember Material which is too tightly packed, or exposed ports on the Front or Middle burner can result in decreased combustion performance and elevated levels of carbon monoxide.

STEP FOUR: HF24 TOP LOG AND RECEIVER PLACEMENT

6. TOP LOGS

Using the log locator holes and pins, Place the **Large Center Log (S25)** onto the **Center Pin** on the **Rear Log (Figures 30 and 31)**. Place the **Small Center Log (H13)** onto the pin on the Large Center Log (Figures 30 and 32). Place the **Left Top Log (H14)** over the **Left Pin** and the **Right Top Log (D7)** over the **Right Pin** on the **Rear Log**. (Figures 30 and 32).

FIGURE 31 Log locator pins for;

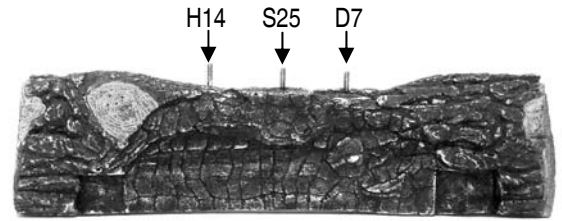


FIGURE 30

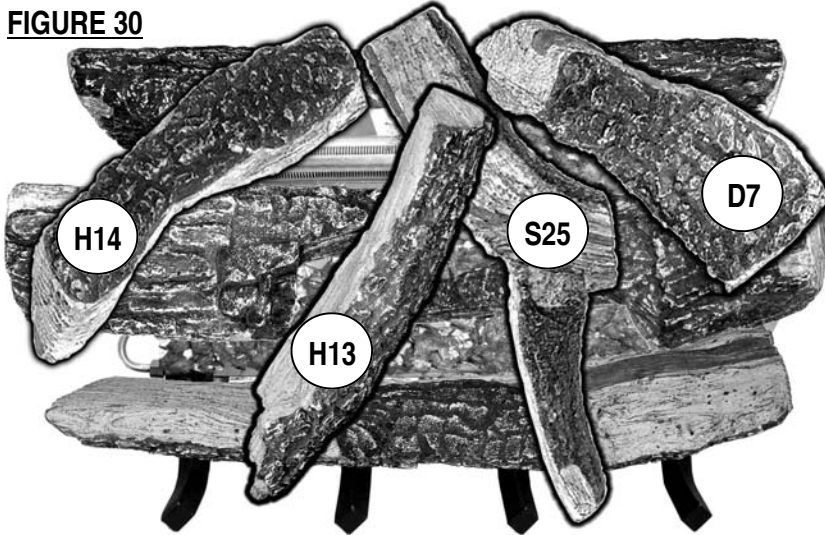
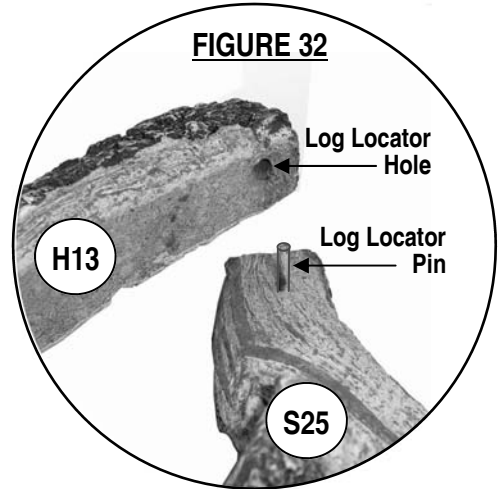
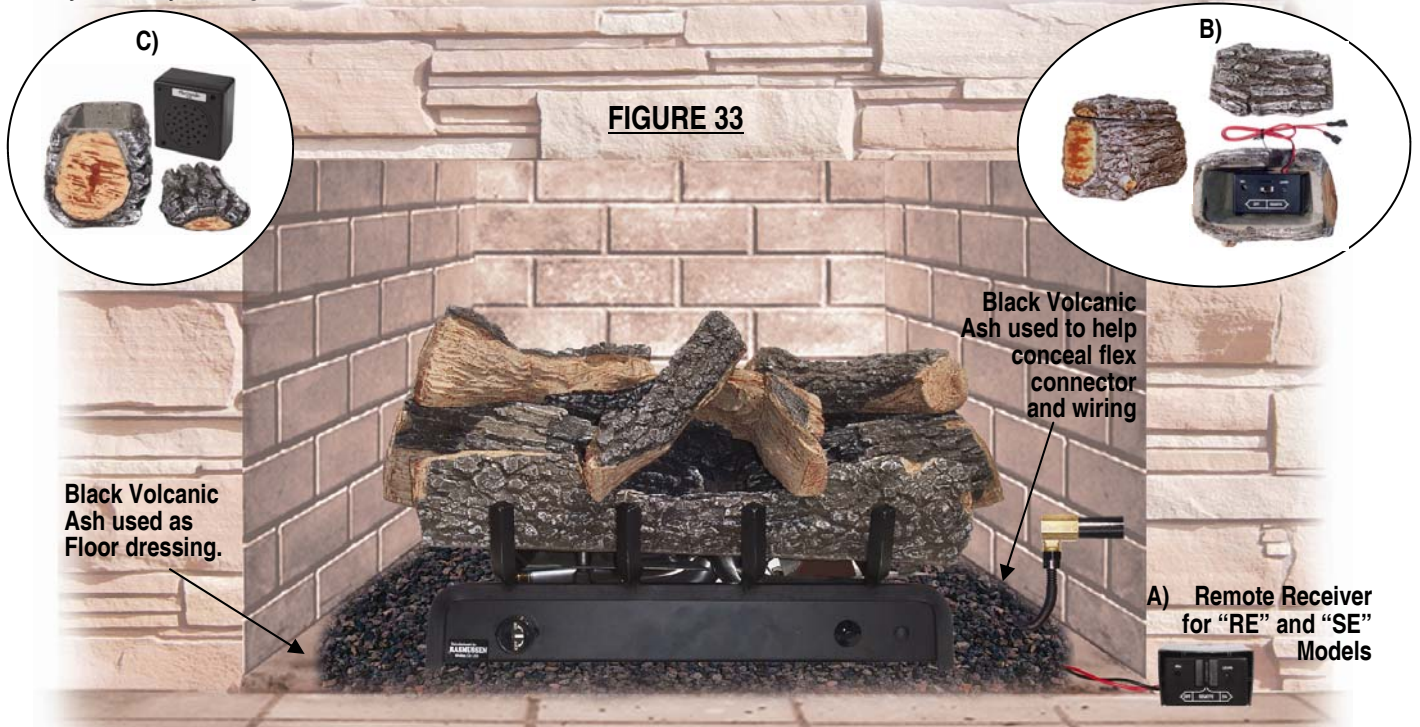


FIGURE 32



REMOTE RECEIVER PLACEMENT (“-SE AND “-RE” MODELS)

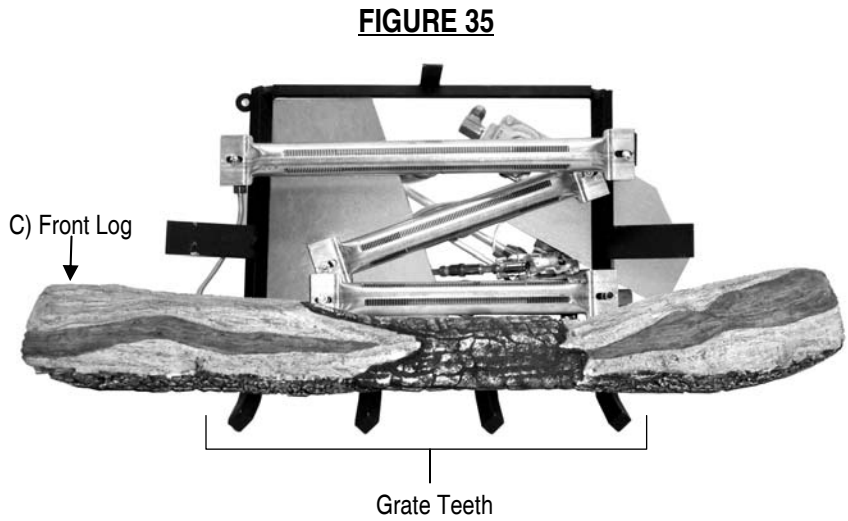
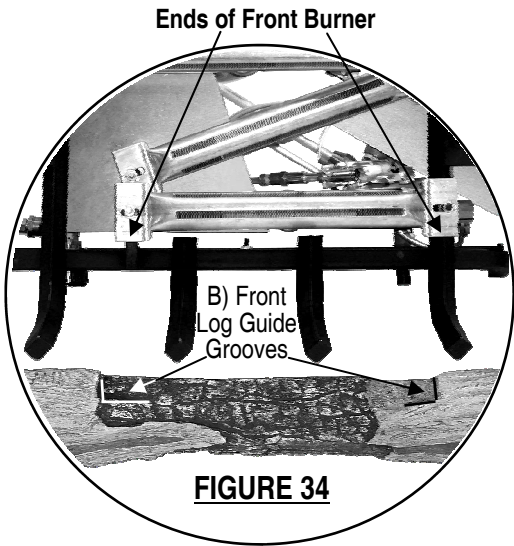
The Remote Receiver (-RE and -SE models) can be adversely affected by heat and must be placed as **far forward and to the side of your CHILLBUSTER™** as possible (Figure 33A). When connecting receiver to Motordrive (“-RE” models) or Solenoid (“SE models) be sure to match red and black connectors, red to red and black to black). Our optional **Ceramic Log House** accessory (Figure 33B), offers heat protection for the Remote Receiver while being pleasing to the eye. Also sold separately, is our “Stand Alone Crackler” (Figure 33C) which mimics the sound of a crackling fire adding a cozy feel to your log set.



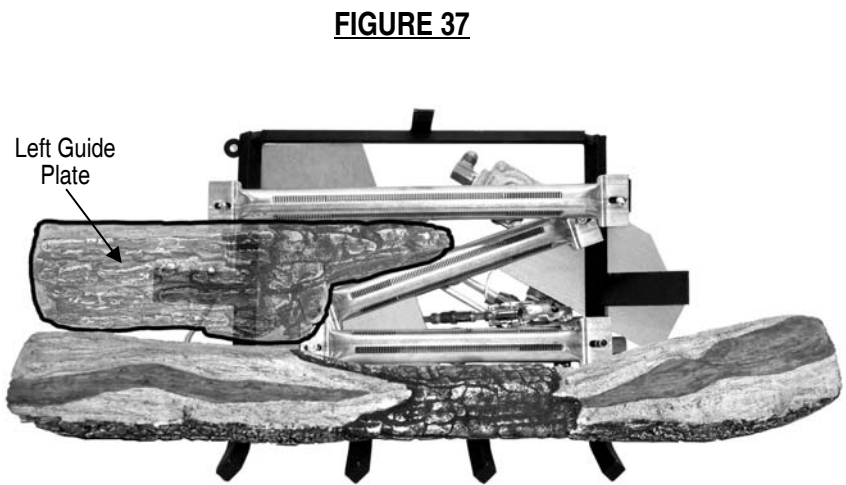
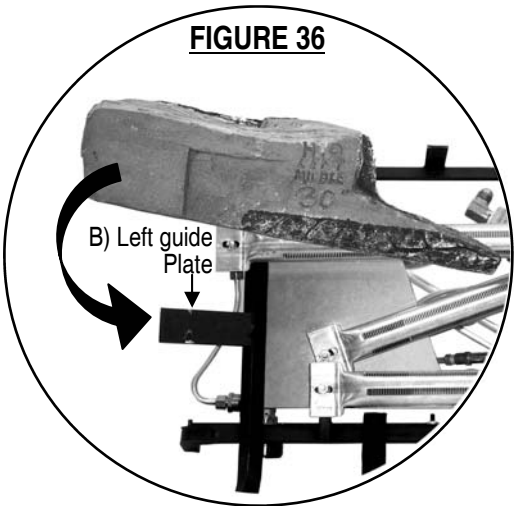
WARNING: Failure to position the parts in accordance with these diagrams or failure to use only parts specifically approved with this heater may result in property damage or personal injury.

STEP FOUR: HF30 LOG PLACEMENT

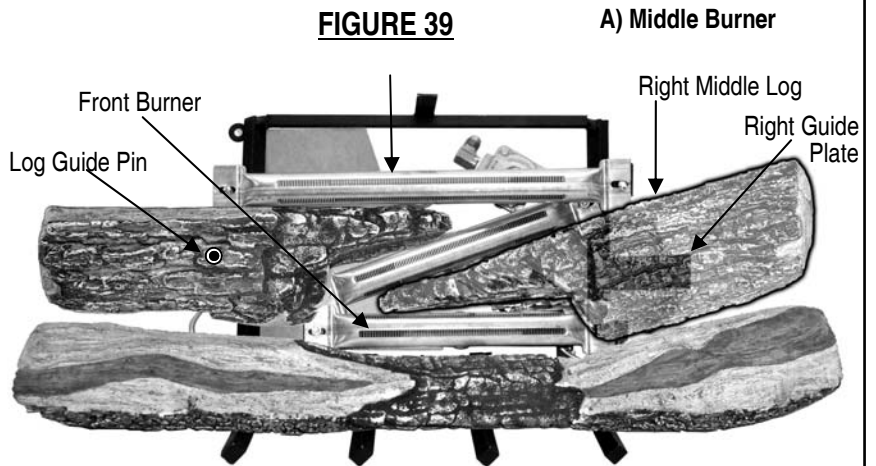
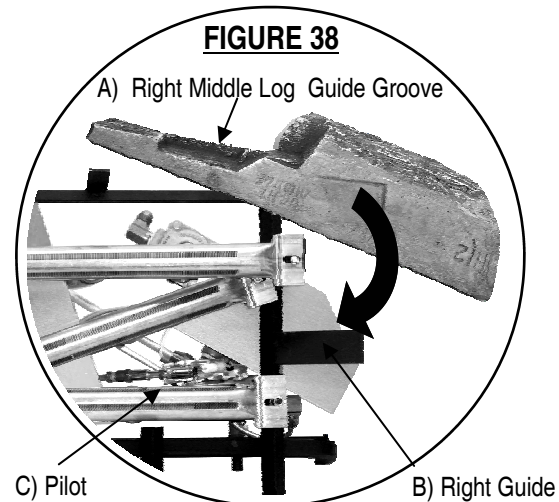
1. **FRONT LOG:** Align **Front Log Guide Grooves** (Figure 34A) with ends of **Front Burner** (Figure 34 and 35B) and position **Front Log** between **Front Burner** and **Grate Teeth** as shown in Figure 35C.



2. **LEFT MIDDLE LOG:** Align **Left Middle Log** guide groove (Figure 36A) over the **Left Guide Plate** (Figure 36B) and position log between the **Center Burner** and **Rear Burner** as shown in Figure 37.

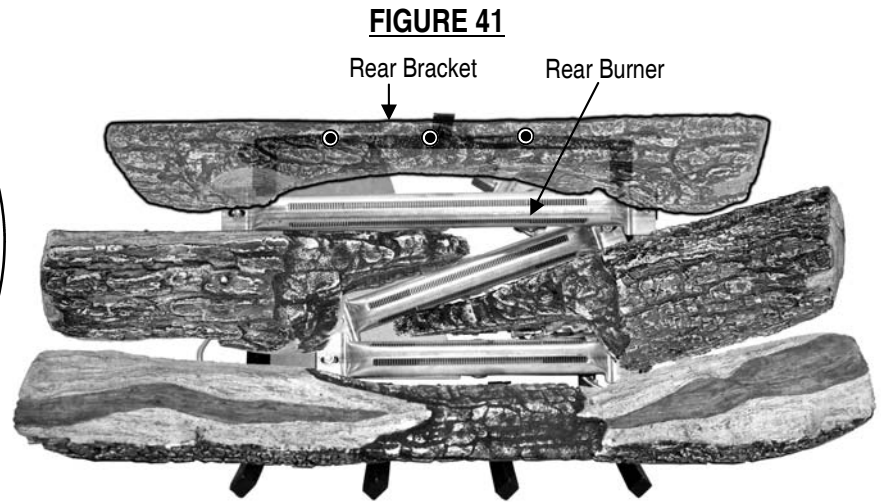
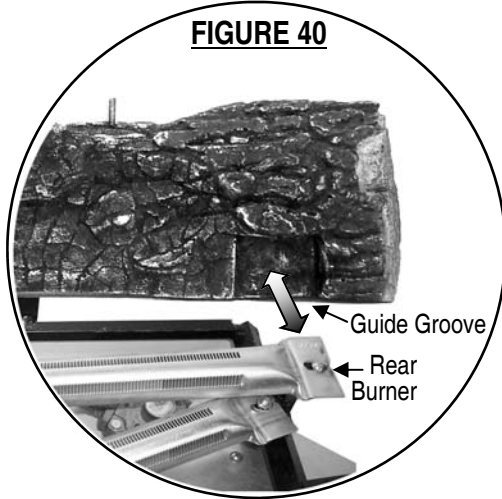


3. **RIGHT MIDDLE LOG:** Align **Right Middle Log** (Figure 38A) guide groove over **Right Guide Plate** (Figure 38B) and **Pilot** (Figure 38C). Place between the **Front Burner** and the **Middle Burner** (Figure 39A).



STEP FOUR: HF30 LOG PLACEMENT AND PAN MEDIUM

4. **REAR LOG:** Replace **Rear Log** Aligning **Guide Grooves** to each end of the **Rear Burner** as done in **Step 2 Installation**. (Figure 40) Position between the **Rear Bracket** and **Rear Burner** (Figure 41).



WARNING: Failure to position the parts in accordance with these diagrams or failure to use only parts specifically approved with this heater may result in property damage or personal injury.

PAN MEDIUM

5. **EMBER MAGIC:** With the **Front, Middle** and **Rear Logs** on the Grate as shown in Figure 28, bottom left), pull the **Ember Magic** apart into **loose, thin pieces** and completely cover the **Front, Middle** and the right side of the **Rear Burners**. Ember Material should be **one to two pieces of ember material in depth and should uniformly cover the Burners, Including the Pilot**. To ensure proper ignition and combustion gently loosen & lift Ember Material with a screw driver.

NOTE: Thinner, less densely packed pieces of Ember Material will enhance the overall glowing ember effect, e.g., the looser the pieces, the better the glowing ember effect (Figure 43)!

FIGURE 42

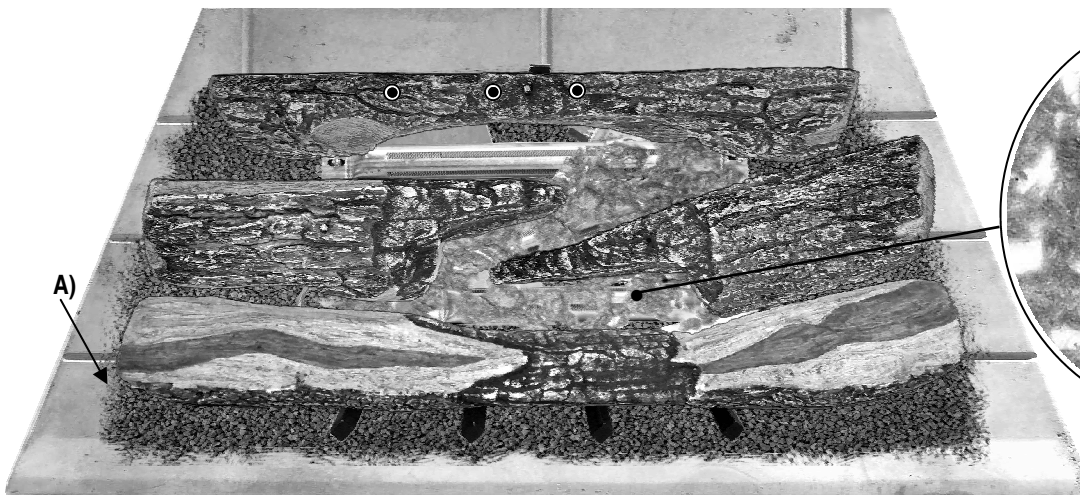
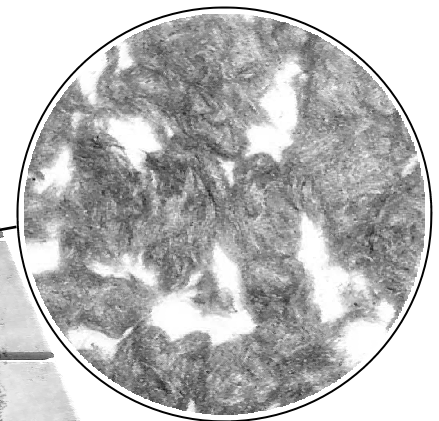


FIGURE 43



Volcanic Ash Placement:

Volcanic Ash should only be used on the firebox floor as floor dressing (Figure 42A above). **DO NOT** place **Volcanic Ash** (or any other material other than the Ember Material provided) on top of the burners!!!

WARNING:

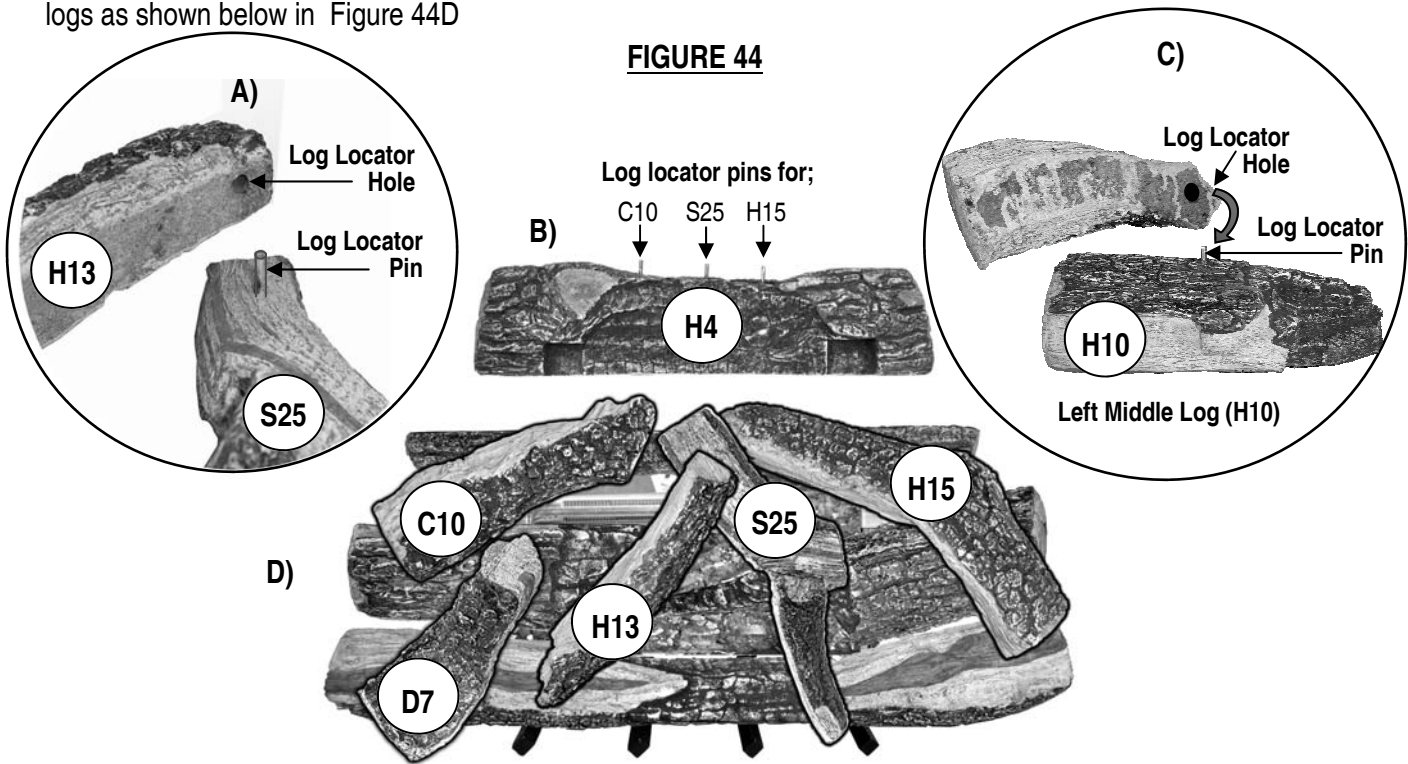
Excessive amounts of Ember Material or Ember Material which is too tightly packed, or exposed ports on the Front or Middle burner can result in decreased combustion performance and elevated levels of carbon monoxide.

STEP FOUR: HF30 TOP LOG AND RECEIVER PLACEMENT

7. TOP LOGS (30 inch Models)

Align the Log locator hole on the **Large Middle Top Log (S25)** with the center **Log locator Pin on the Rear Log (H4)** (Figures 44A and D). Next, place the **Rear Left Top Log (C10)** (Figure 44D) over the **Left Pin on the Rear Log (H4)** (Figure 44B) and the **Rear Right Top Log (H15)** (Figure 44A) over **Right Pin on the Rear Log**. Next, place the **Front Left Top Log (D7)** (Figure 44C) over **Pin on the Left Middle Log** (Figures 44C and D). Position logs as shown below in Figure 44D

FIGURE 44



REMOTE RECEIVER PLACEMENT

The Remote Receiver (-RE and -SE models) can be adversely affected by heat and must be placed as **far forward and to the side of your CHILBUSTER™ as possible** (Figure 45A). When connecting receiver to Motordrive (“-RE” models) or Solenoid (“-SE models) be sure to match red and black connectors, red to red and black to black). Our optional **Ceramic Log House** accessory (RH2) (Figure 45B), offers heat protection for the Remote Receiver while being pleasing to the eye. Also sold separately, is our “Stand Alone Crackler” (CH) which mimics the sound of a crackling fire adding a cozy feel to your log set.

FIGURE 45



WARNING: Failure to position the parts in accordance with these diagrams or failure to use only parts specifically approved with this heater may result in property damage or personal injury.

LIGHTING AND OPERATION (ALL MODELS)

1. Slightly push in the **“EASY” Safety Valve Knob**, located behind the CHILLBUSTER™ face plate on the right side (Figure 46), and turn clockwise to **“OFF”**.
2. Before lighting, wait at least five minutes to allow gas which may have accumulated around burner to escape, then slightly push in the **“EASY” Safety Valve Knob** and turn to **“PILOT/OFF”** (Figure 47).
3. Depress knob until air dissipates and gas flows to pilot (located on the right side behind the front burner). Press the **Piezo Ignitor Button** to light the pilot (Figure 48A), and continue to hold knob in until pilot remains lighted after knob is released. The Pilot flame should be steady and soft blue surrounding 1/8 inch of the thermocouple tip and extending approximately 1 inch beyond the pilot tube as shown in Figure 49 below.
4. Slowly turn knob to **“ON”** to light front and middle burners.
5. Turn **Rear Burner Control Knob** (Figure 48B) clockwise to light Rear burner. (To light all three burners at once, Rear Burner Control Knob may be turned on prior to step three.)
6. If burner(s) fails to light or if pilot goes out, repeat steps 1 through 4.
7. Adjust the burner flame height by turning the **“EASY” Safety Valve Knob** clockwise to lower and counter-clockwise to raise up to full on.
8. For complete shutdown, push **“EASY” Safety Valve Knob** in and turn to **OFF”**.

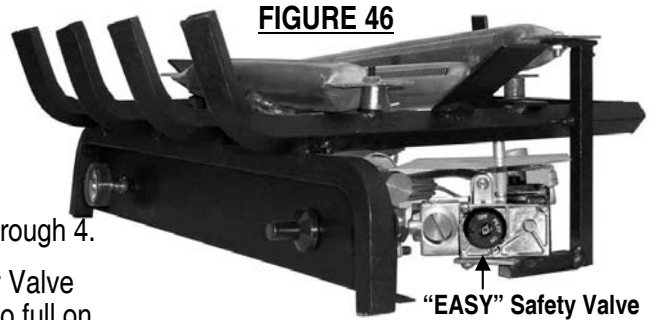
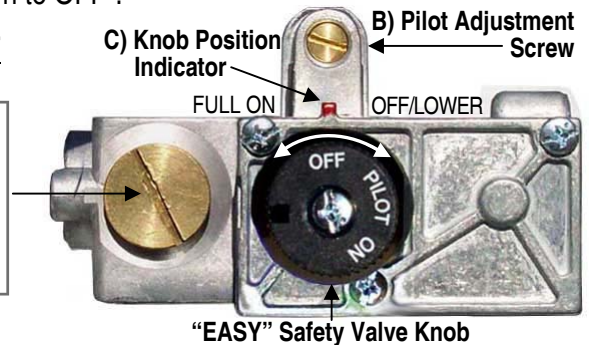


FIGURE 46

FIGURE 47

VALVE PLUG (“ME” MANUAL “EASY” CONTROL) SHOWN, ALSO LOCATION FOR;

- ON/OFF SOLENOID (“SE” REMOTE READY MODELS) OR
- DC MOTOR DRIVE (“RE” VARIABLE FLAME HEIGHT MODELS) BOTH SHOWN ON FOLLOWING PAGE.

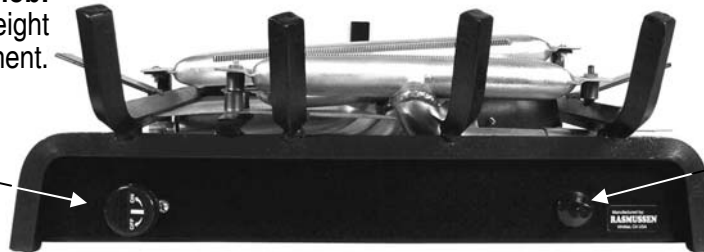


“EASY” Safety Valve Knob

Rear Burner Control Knob:
Rear Burner flame height adjustment.



FIGURE 48



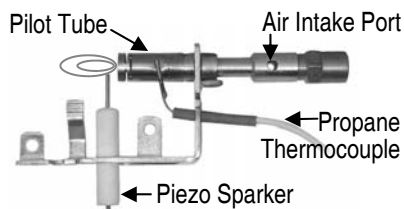
Piezo Ignitor Button:
Pilot Flame Ignition.



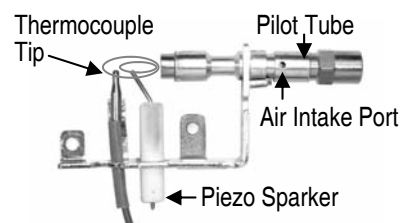
FIGURE 49

Models mfg'd from 6/99 thru 01/08

A) Propane Pilot Assembly (ODS-OP-P)

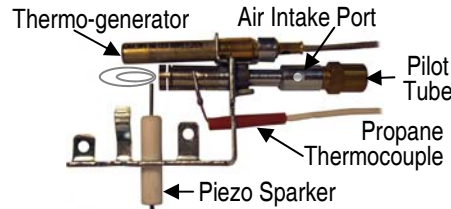


B) Natural Gas Pilot Assembly (ODS-OP-N)

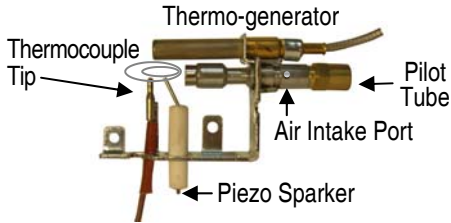


Models mfg'd from 01/08 to present

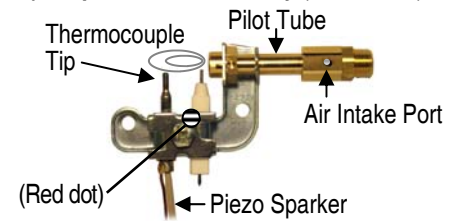
A) Propane Pilot Assembly (ODS-ROP-P)



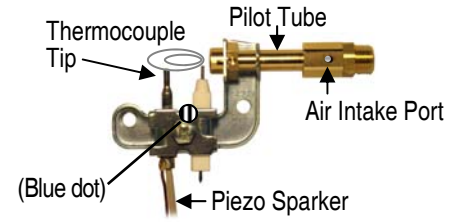
B) Natural Gas Pilot Assembly (ODS-ROP-N)



A) Propane Pilot Assembly (ODS-CN-P)



B) Natural Gas Pilot Assembly (ODS-CN-N)



STEP TWO: PILOT ADJUSTMENT (ALL MODELS)

PILOT FLAME ADJUSTMENT: If adjustment is necessary, use a narrow long stem screw driver to turn pilot adjustment screw. To adjust turn clockwise for less pilot flame, counterclockwise for more pilot flame.

IMPORTANT SERVICE TIP! Obstructed Pilot Air Intake Ports result in an improper gas/air mixture and a weak pilot flame. **Weak pilot flame is the NUMBER 1 SERVICE ISSUE REGARDING NUISANCE SHUT-OFF.** Using canned compressed air, a pipe cleaner or an artist's brush, clean out the opposing air intake ports located at the base of the pilot (where the gas supply line attaches to the pilot) (See page 19, Figures 49A and B).

STEP THREE: BURNER OPERATION (“RE” VARIABLE FLAME HEIGHT AND “SE” REMOTE READY MODELS)

1. Turn **Valve Knob** to “ON” position (Figure 50A)
2. Slide switch on the **Receiver** (Figure 51) to “REMOTE” position.

“RE” Models

3. Depress the “ON/HI” button on the **TRANSMITTER** (Figure 50B) until a click is heard. The burner will then light to “Full on”

NOTE: Reducing the burner flame can be achieved by pressing the “LO” button one beep at a time to the desired flame height. Pressing the “ON/HI” button one beep at a time will raise the burner flame). To verify the burner is completely off, press the “OFF” button once. **Variable flame height can only be achieved via the hand held remote.**

“SE” Models

3. Consult Operating Instructions for Accessory Control (below).
4. Adjust the burner flame height by turning the **Valve Knob** (Figure 52A) clockwise to lower and counter-clockwise to raise up to full on.

NOTE: During the heating season leave Valve Knob in “PILOT” position for convenience. Otherwise, turn to “OFF” position for any prolonged non-use.

FIGURE 50

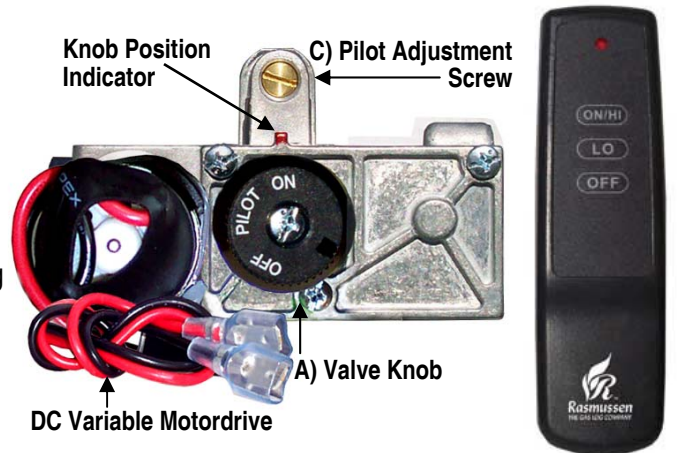
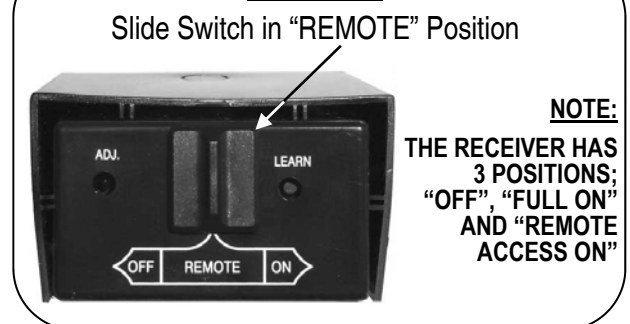


FIGURE 51

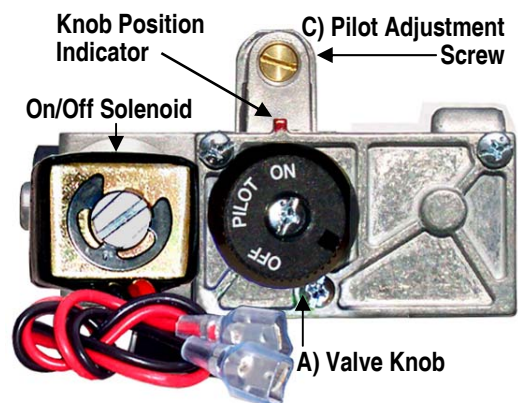


Accessory Controls

- Wireless On/Off Remote (SR-2R)
- Wireless On/Off Remote with
- Wireless Wall Thermostat (TS-2R)
- Wireless Wall Switch
- Wireless Wall Timer (30/60/120 Minutes)



FIGURE 52



NOTE: The “EASY” Safety Valve has complete control of gas to the pilot and burners. It cannot be turned to “OFF” without first depressing knob to the “PILOT” position and then rotating clockwise to “OFF”. During the heating season leave valve knob in “PILOT” position for convenience. Otherwise, turn to “OFF” position for any prolonged non-use.

VENTED MODELS IMPORTANT!

CHIMNEY DAMPER MUST BE WIDE OPEN! THE FLUE MUST VENT ALL PRODUCTS OF COMBUSTION. DAMPER AND GLASS DOORS MUST BE FULLY OPEN BEFORE LIGHTING OR BURNING FOR PROPER VENTILATION AND TO PREVENT HEAT DAMAGE TO VALVE.

ALL APPLICATIONS - IMPORTANT INFORMATION

- Children and adults should be alerted to the hazard of high surface temperature and should keep a safe distance to avoid burns or clothing ignition.
- Young children should be carefully supervised when in the same room with the appliance.
- Do not place clothing or any other flammable material on or near the appliance.
- Any safety screen or guard removed should be replaced prior to operating the heater.
- This appliance is equipped with a Safety Pilot System designed to shut itself off if enough fresh air is not available. Additional ventilation may be obtained by opening a window or a door to another room.
- Although your CHILBUSTER™ is very realistic in appearance, it is not a real wood burning fireplace. Matches, paper, garbage, or any other foreign material **MUST NOT** be thrown on top of logs or into the flames.
- Avoid contact with the logs, grate or any other part which may be hot.
- Always ensure that the fireplace screen is closed when the appliance is operating.
- Due to high temperatures, the appliance should be located out of traffic and away from furniture and draperies.

IMPORTANT !

THINGS TO REMEMBER:

IMPORTANT!

- **Solid fuels shall NOT be burned in a fireplace where a decorative gas appliance is installed.**
- **A fireplace screen MUST be in place when the appliance is operating and, unless other provisions for combustion air are provided The screen shall have an opening (s) for the introduction of combustion air.**
- **GLASS DOORS MUST BE WIDE OPEN WHEN BURNER IS ON TO ALLOW AIR FOR SAFE COMBUSTION AND VENTING.**
- **KEEP THE APPLIANCE AREA CLEAR AND FREE OF COMBUSTABLE MATERIALS, GASOLINE AND OTHER FLAMMABLE VAPORS AND LIQUIDS. Before installing in a solid-fuel burning fireplace, the chimney flue must be cleaned of soot, creosote, and loose paint by a qualified chimney cleaner.**
- **DO NOT use this room heater if any part of it has been under water. Immediately call a qualified service technician to inspect the room heater and to replace any part of the control system and any gas control which has been under water.**

IF YOU SMELL GAS

- **Open a window or door.**
 - **Turn off Gas Supply.**
 - **Do not try to light any appliance.**
- **Do not touch any electrical switch; do not use any phone in your building.**
- **Immediately call your gas supplier from a neighbor's phone. Follow the gas supplier's instructions. If you cannot reach your gas supplier, call the fire department.**

DO NOT use CHILLBUSTER™ as a Vent Free Heater in sleeping quarters, bathrooms, or in recreational vehicles.

YOUR GAS LOG SET SHOULD BE OPERATED FOR THE FIRST 2-3 HOURS AT A LOW FLAME SETTING TO ALLOW TEMPERING OF THE REFRACTORY LOGS.

WARNING:

Failure to keep the primary air opening(s) of the burner (s) clean may result in sooting or property damage.

WARNING:

This appliance may be installed in an after market, permanently located, manufactured (mobile) home, where not prohibited by local codes.

This appliance is for use with type of gas indicated on the rating plate and is not convertible for use with other gases. Gas type conversion may only be Accomplished at the factory.

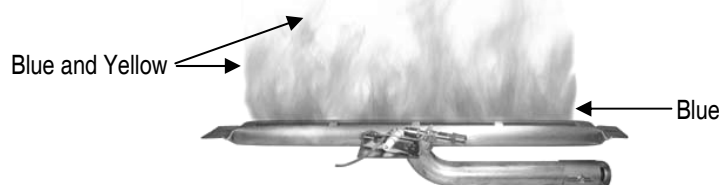
Do not store or use gasoline or other flammable vapors and liquids in the vicinity of this or any other appliance.

NORMAL OPERATING CHARACTERISTICS

Each and every **CHILLBUSTER™** that leaves the factory is quality checked to ensure compliance with our certification. This check includes an operational test to ensure both satisfactory combustion and proper operation. Each installation site for any vent free heater presents its own unique combustion environment. Specific factors such as weather tightness of the home, size of the room in which the heater is installed, central heating, ceiling fans, drafts, altitude, the size of the firebox, paint or soot inside the firebox, etc., all have an influence on the proper operation of any vent free gas heater.

A normally operating CHILLBUSTER™ Gas Fire Set possess the following characteristics:

- Clean burning combustion, which, after normal break in, will produce no soot or smoke.
- A full bodied, lively flame. The flame will be blue at the base and a combination of blue and yellow at the body and tips.



- After initial break-in produce no odor other than the normal odors associated with the combustion of Natural or Propane gas and/or the environment in which the heater is operated.
- Will produce water vapor (increase indoor humidity) which may be beneficial during the dry heating season.

CUSTOMER RESPONSIBILITIES AND PERIODIC MAINTENANCE

- Keep the area around the **CHILLBUSTER™** free and clear from debris. From time to time, visually check pilot and burner flames for proper appearance (see section above for burner; see Page 20 Fig. 34 for Pilot).
- Periodically examine and clean the venting system. Once every year, a qualified agency or certified chimney sweep should examine and clean the venting system of the solid fuel burning fireplace in which the **CHILLBUSTER™** installed (if applicable).
- The air shutter and burner must be free of lint and dirt for optimum performance. Air shutters which have been closed or are obstructed with debris will not allow sufficient combustion air into the burner. Air shutters and burner ports (where flame comes out of the burner) should be periodically cleaned of debris. Use compressed air and/or a soft bristle brush to clean burner ports and air shutter area. **Air shutters should not be altered from factory settings.**

WARNING: Failure to keep the burner primary air opening clean may result in sooting or property damage.

- Keep air intake holes of ODS Pilot (see Page 20 Figure 34) clear of lint. Over time lint will accumulate in these holes, and will eventually result in nuisance pilot outage or difficulty in lighting pilot. Clean these holes annually with compressed air or a pipe cleaner. **NOTE: Lint and dust in the Air Intake Holes is the #1 cause of nuisance pilot outage.**
- Do not operate in a dirty firebox or in a previously used firebox which has not had all soot completely removed or chimney flue cleaned. Previously used fireboxes must have flue and stack professionally cleaned by a chimney sweep. Additionally, firebox walls and damper must also be thoroughly cleaned of all burn residue and soot using a damp cloth, sponge or brush.
- Do not operate this set with any burner objects other than the **RASMUSSEN** FireBalls, FireShapes or FireStones specifically designed and approved for use with this Burner System.
- Do not use with blower inserts or heat exchangers.
- If used, glass doors must be wide open when burner is on.
- Do not remove Rating Plate/Warning Tags. These tags serve you and any future user as an integral safety and identification component of the **CHILLBUSTER™** gas log heater. **Removing these tags voids the warranty.**
- **WARNING: Do not allow fans to blow directly into fireplace. Avoid any drafts that alter burner flame patterns.** Do not place blower inside area of firebox. Ceiling fans may create drafts that alter burner flame patterns. Sooting and improper burning may occur. Sooting can settle on surfaces outside the fireplace.
- During periods of heavy use, inspect frequently for evidence of sooting. If sooting is present, discontinue use until source of sooting is determined and corrected.
- Maintain positioning of FireBalls, FireShapes or FireStones (Pages 9 thru 18) at all times.
- Occasionally, you may use a soft bristle brush or damp cloth to clean objects.

TROUBLESHOOTING

Safety Pilot Lighting Issues

- Check for loose Thermocouple terminal nut connection.
- Check that pilot flame strikes thermocouple—Adjust as needed.
- Check that Valve Knob is fully depressed during pilot lighting operation and held depressed for 30 to 60 seconds with pilot flame lighted.

Nuisance Shutdown of Burner or Pilot/

Pilot Difficult to Light or Unable to Remain Lighted After Months or Years of Use

Most likely cause: Air intake holes in ODS Pilot have clogged with lint or dust (see Page 20 Figure 34) . During normal operation, air is drawn into these holes to mix with the gas to create a proper pilot flame. Over time, dust and lint in the air accumulates in these holes, and eventually builds up to disrupt proper operation. Note: this is common with all vented free heaters by all manufacturers.

Fix: Clean the ODS Air Intake Holes with compressed air (like that used to clean keyboards) or a pipe cleaner. Perform this cleaning annually or as required to prevent nuisance shutdown.

Burner is Excessively Noisy

Please Note: The movement, mixing of air and gas, and combustion will create a low, throaty sound, which is normal..

Excessive gas pressure: Make sure the gas pressure coming into the fireplace does not exceed the maximum pressure allowed with this gas set (refer to the table on pages 5 and 6).

Passage of air/gas across irregular surfaces: There may be burrs, paint or other blockages on the burner bar ports. Check these ports and remove any blockage.

Gas Connector: Relieve any tight bends or kinks in the Flex Connector. Switch to a smooth aluminum connector, which can be purchased at hardware or home improvement stores.

Burner Flame is Too High (8-12" Above Top Logs) or Too Low (Below Top Logs)

Incorrect gas supply, pressure, or burner orifice used: 1) Ensure gas type of set is proper for gas type being used. Make sure the gas pressure coming into the fireplace falls between the minimum and maximum pressures allowed with this gas set (refer to the tables pages 5 and 6).

Blocked ports (low flame only): Free the main burner orifice and burner bar ports of any burrs, paint or other blockage.

No Spark at Pilot when Depressing Piezo Igniter

Most likely cause: Wire connecting push button with pilot has become disconnected

Fix: Reconnect wire.

Receiver Beeps (SE and RE Models)

Most likely cause: Receiver has become too hot, triggering over-temperature safety feature.

Fix: Move receiver into a cooler area of firebox, onto the hearth, and/or place in accessory RH3 Remote House.

Odor and/or Smoke After Break-in Period (other than Natural Odor of Gas Combustion)

Most likely causes: Lack of fresh air and/or impurities in the room air. Since the appliance is drawing its combustion air from the living area, any odors or impurities present in the room will be recycled through the flame and re-circulated back into the room. Such impurities include: pet hair, fresh paint or varnish, paint remover, cigarette smoke, potpourri and incense, cements and glues, new carpet or textiles, dust build-up, and residue from previous wood burning left in the firebox and flue, among other things.

Fix: Add fresh air. Remove sources of impurities.

NOTE—The installation of appliances in a manufactured home (U.S. only) or mobile home installation must conform with the Standard *CAN/CSA Z240 MH, Mobile Housing*, in Canada, or with the *Manufactured Home Construction and Safety Standard, Title 24 CFR, Part 3280*, in the United States, or when such a standard is not applicable, *ANSI/NCSBCS A225.1/NFPA 501A, Manufactured Home Installations Standard*.

HOW TO ORDER PARTS

Parts can be ordered through the supplier from whom you purchased your **CHILLBUSTER™** Log Set or from Rasmussen. When ordering parts, please specify;

1. Model number and Serial number of the Burner (available on the Rating Plate).
2. Model number of the objects set.
3. Type of Gas (natural or propane) and control type (ME, RE or SE)
4. The name of part with part number (located on parts list, page 3) or specific object (pages 9-18).

TWO YEAR CONSUMER PRODUCT WARRANTY

The following warranty has been drafted to comply with the MAGNUSON-MOSS WARRANTY ACT applicable to products manufactured after July 4, 1975, It replaces and supersedes any warranty in this package or in any printed literature.

LIMITED WARRANTY:

RASMUSSEN IRON WORKS INC, 12028 E. Philadelphia Street, Whittier California, U.S.A., warrants this Gas Fire Set and accessories against defects in materials and workmanship, and suitable for a particular purpose, for a period of:

- (1) OBJECT CASTING - All logs are guaranteed against burnout in the original installation for 2 years from the date of initial purchase.
- (2) BURNERS, SHEET METAL, SAFETY CONTROLS AND ALL OTHER COMPONENTS - 2 Years from date of initial purchase.

When used in an outdoors or commercial installation, the warranty period shall be six (6) months. Warranty does not extend to corrosion of parts used in outdoor environment.

THIS WARRANTY IS FOR THE BENEFIT OF THE ORIGINAL PURCHASER.

WARRANTY ADJUSTMENT:

- (1) RASMUSSEN agrees to repair or furnish a replacement for, but not remove or install any product or component which proves defective within the above warranty and appropriate time periods stated.
- (2) BUYER notify RASMUSSEN of any defect within this warranty no later than thirty (30) days after a defect is discovered.
- (3) No product will be accepted for return or replacement without written authorization of RASMUSSEN. Before returning merchandise, write to RASMUSSEN Giving us full details of the complaint and a copy of the sales receipt or other evidence of the purchase date. Merchandise returned without proof of purchase date will be serviced out-of-warranty at our prevailing service and parts rates. If merchandise was damaged in transit, the file claim must be addressed as follows:

**RASMUSSEN IRON WORKS INC
12028 E. PHILADELPHIA STREET
WHITTIER, CALIFORNIA 90601**

**Shipping charges must be pre-paid by the buyer.
REPAIR OR REPLACEMENT UNDER THIS WARRANTY
WILL BE SHIPPED FREIGHT COLLECT.**

EXCLUSIONS FROM WARRANTY:

- (1) The foregoing warranty is limited solely as set forth herein and applies only for the designated above.
- (2) RASMUSSEN shall not be liable for any loss, damage incidental or consequential damages of any kind, whether based upon warranty, contract, or negligence, arising in connection with the sale, use or repair of the product. Some states do not allow the exclusion or limitation of incidental or consequential damages, so the above limitation or exclusion may not apply to you.
- (3) The maximum liability of RASMUSSEN in connection with this limited warranty shall not in any case exceed the contract price paid for the product claimed to be defective or unsuitable.
- (4) This warranty does not extend to any product manufactured by RASMUSSEN which has been subjected to misuse, neglect, accident improper installation, or use in violation of instructions furnished by RASMUSSEN. Do not remove Rating Plate/Warning Tags. These tags serve you and any future user as an integral Safety and identification component of the CHILLBUSTER gas log heater. Removing these tags voids the warranty.
- (5) This warranty does not extend to or apply to any unit which has been repaired or altered in any place other than RASMUSSEN IRON WORKS INC. factory, or by persons not expressly approved by RASMUSSEN.
- (6) Components manufactured by any supplier other than RASMUSSEN shall bear only that warranty made by the manufacturer of that product.
- (7) Freight damage, cracking from thermal shock, and color changes occur from causes beyond manufacturer's control and are not covered by any warranty.

THIS WARRANTY GIVES YOU SPECIFIC LEGAL RIGHTS, AND YOU MAY ALSO HAVE OTHER RIGHTS WHICH VARY FROM STATE TO STATE.

RASMUSSEN IRON WORKS, INC. shall be held harmless from any and all claims by the buyer as a result of injury or damage to an ultimate user or other person caused by the product sold herein by the seller to the buyer, whether the injury or damage results from the assembly, product installation, operation, shipment, storage or manufacture of this product. RASMUSSEN IRON WORKS, INC makes no warranties, expressed or implied, other than those expressly stated herein.

CONSUMER RECORD CARD

**FOR CUSTOMER RECORDS ONLY.
DO NOT SEND THIS CARD TO MANUFACTURER**



LOG MODEL: _____

SAFETY CONTROL: _____

DATE OF PURCHASE: _____

DEALER: _____

INSTALLER: _____