



LOVE AT FIRST LIGHT

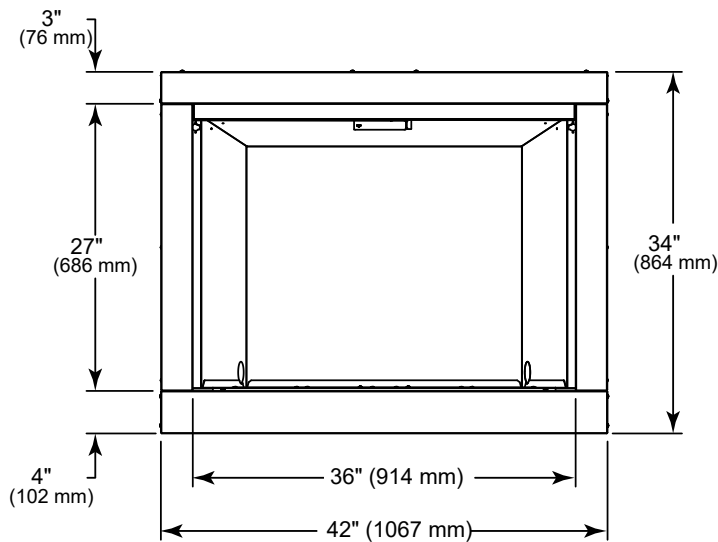
Please consult the manufacturer's installation manual for all details and requirements before making a final design layout decision.

Exacta 36

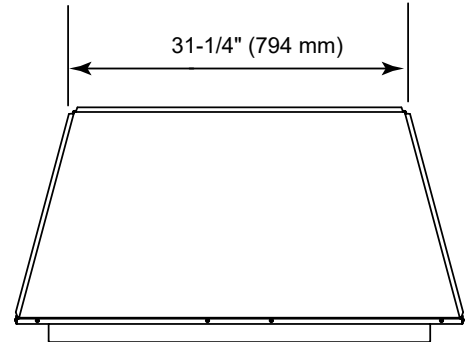
Vent Free Gas Firebox

MODEL	FRONT WIDTH		BACK WIDTH		HEIGHT		DEPTH		VIEWING AREA
	Actual	Framing	Actual	Framing	Actual	Framing	Actual	Framing	
BUF36	42"	42-1/2"	31-1/4"	42-1/2"	34"	34-1/4"	20"	19-3/4"	36" x 27"

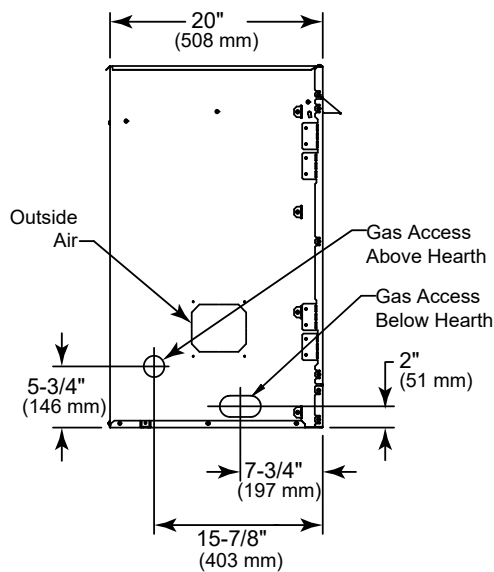
FRONT VIEW



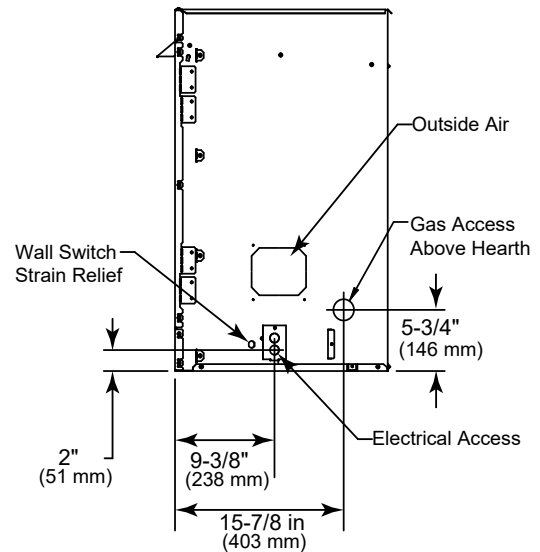
TOP VIEW



LEFT SIDE VIEW



RIGHT SIDE VIEW



FRAMING DIMENSIONS

Note: Add 1/2" to width (A) and 1/4" to height (B) dimensions when using optional trim kit to finish the installation of a custom cabinet, mantle, or other built-in enclosure.

A	B	C	D	E	F
42-1/2" (1080mm)	34-1/4" (870mm)	19-3/4" (502mm)	50" (1270mm)	70-3/4" (1798mm)	36" (915mm)

CLEARANCES TO COMBUSTIBLES

0" to back
0" to side
Drywall
42" to ceiling (1067 mm)
0"
36" (914 mm)
0"
6" (152 mm) min.
9" (229 mm) min. (from firebox opening)
Perpendicular Wall
Combustible Object

Combustible flooring may be installed next to the front of the appliance. (No carpet or vinyl within 14")

MANTEL CLEARANCES

18" maximum
18"
17"
16"
15"
14"
13"
12"
11"
10"
9"
8"
7"
6"
5"
4"
3"
2"
1"
17"
17"
6" minimum
3" minimum
Measured from top of appliance opening

Gray area is combustible material
White area is non-combustible material

MINIMUM HEARTH DIMENSIONS

24-3/8"
25-1/2"
22-5/8"
32-7/8"
15"

Dimensions shown are with concrete liner installed.

MANTLE LEG CLEARANCES

Unit
6"
Gray area is combustible material
9"
White area is non-combustible material only
Minimum Side Wall
9"

PRODUCT LISTING CODES	
US	ANSI Z223.1 / NFPA54 ANSI Z21.11
	CSA Design Certified

Product information provided is not complete and is subject to change without notice. Product installation must adhere strictly to instructions accompanying product to avoid risk of fire and potential injury.

Additional information can be found online at www.monessenhearth.com



LOVE AT FIRST LIGHT

(877) 863-4350 | monessenhearth.com