


## Preparation

 **Read all warnings on the "EM-5 Installation and Operation Guide" before proceeding.**

## EM-5 BACKREST FOR THE BMW R 1200 GS LC 2013+ INSTALLATION GUIDE

Adhere the supplied gasket to the underside of the mounting bracket before assembling.

Adjust the front seat to your preferred height position before installing the backrest.

Remove the rear seat and the 2 OEM bolts. You will use the OEM bolts to install the bracket.

## Installation

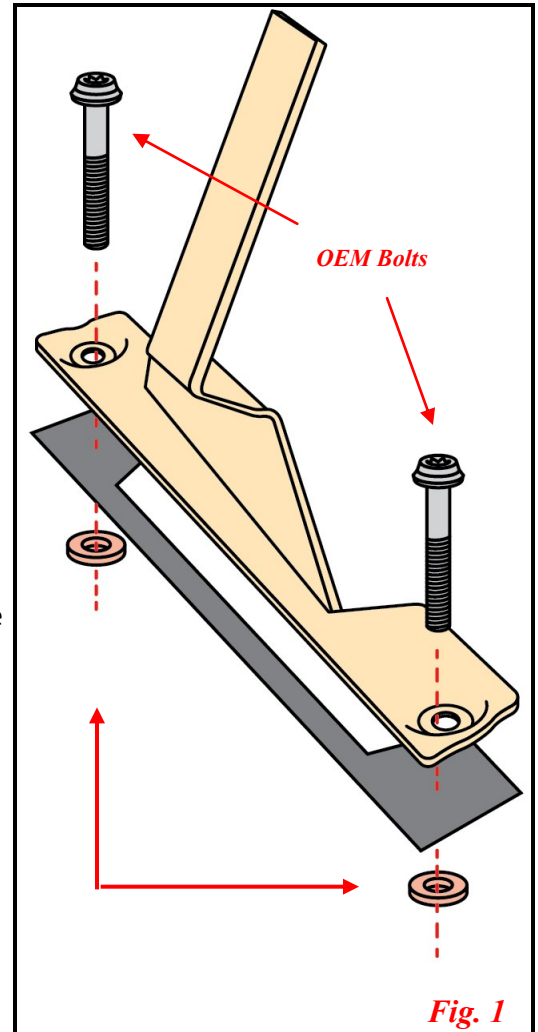
Install bracket on bike, spacers first, and tighten down OEM bolts (Fig. 1). Perform the "Finish Installation" instructions (below).

## Finish Installation

Re-install the rear seat by placing the rear tabs down first then the front pin down and back. Click in and tug up on seat to confirm a secured lock down.

## Note

Install backrest pad and EM-5 adjuster unit (see EM-5 Installation and Operation Guide on the last page of these instructions).



*To remove the rear seat when the backrest support bracket is installed, you will need to push (or flex) the support bar forward while lifting the rear seat off the bike.*

*To adjust the front seat height, the backrest must be loosened, but not removed. Secure backrest and seat before riding. The REAR seat can only be used in the rear most position when the bracket is installed.*

## GSA Owners

***Because of the pannier's support structure, the bottom washers are not required for installation of the backrest. All the other instructions apply.***

### Installation with optional Pillion Luggage Component

After removing the rear seat, begin installing the bracket on the bike, using the supplied spacer/washers, collar bushings, 50mm bolts, and 35mm bolts.

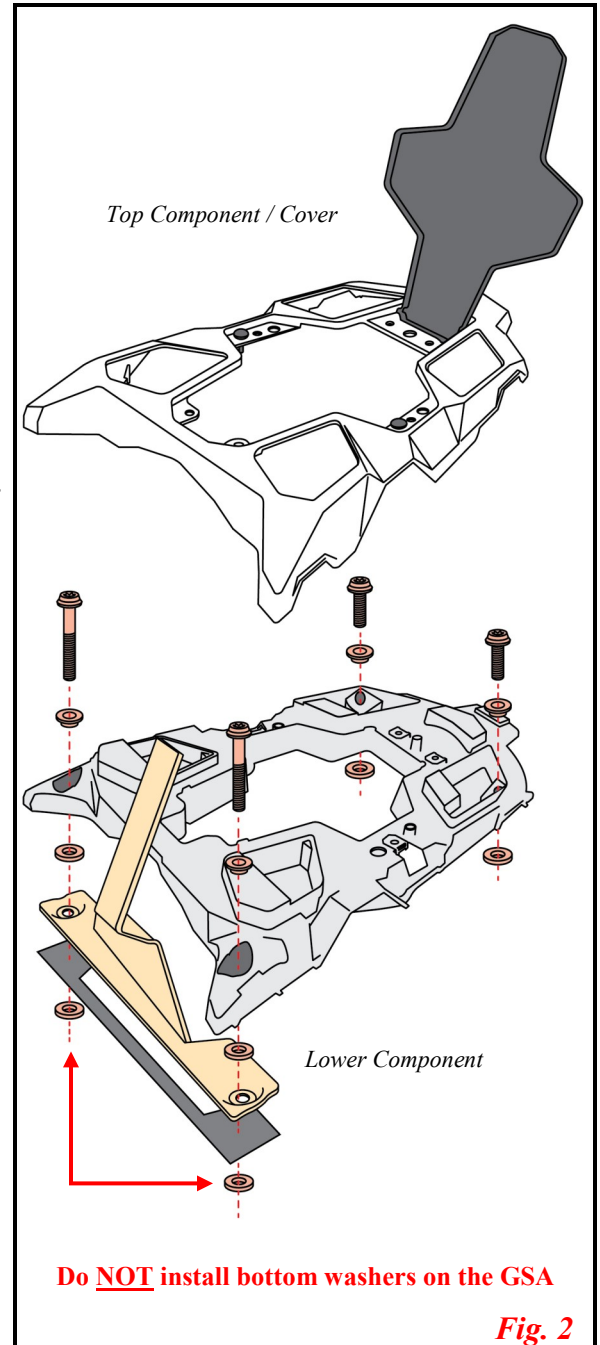
Place the spacers first without the bolts. Insert the bushings and bolts, threaded but not snug, on the lower component. Place the cover/top component on top of the lower component.

*Place the combined "top and bottom" components on bike.*

Line up two rear bolts and spacers. Tighten down the rear bolts.

You will need to lift up and rotate the top component to tighten in the two front bolts. Tighten down all four main bolts with the included torque wrench (T-40).

Open the door and set the six screws that secure the lid down. Finish installation (instructions on previous page).



### GSA Owners

***Because of the panniers' support structure, the bottom washers are not required for installation of the backrest. All other instructions apply.***

## EM-5 BACKREST IMPORTANT WARNINGS

**IMPORTANT!**

Read ALL instructions thoroughly prior to installation and use.



**IMPORTANT!**

Periodically inspect all bolts, connection points, and Support Block Hardware verifying that all connections remain secure and there are no signs of damage or wear. If problems are noted, discontinue use and contact the manufacturer.



**WARNING!**

This backrest system has been tested at pressures far greater than what might be typically associated with rapid acceleration or general use; however, for added safety, the driver and/or passenger should maintain a firm hold of handlebars, grab handles or driver. In addition, the driver should always signal the passenger before rapid accelerating.

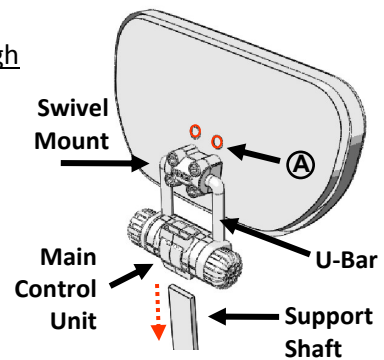


**Limitation of Liability / Disclaimer:**

Motorcycling is a dangerous activity that can result in serious injury or death. Please be advised that this product has NOT been tested under every conceivable condition. While every effort has been made to design a sturdy and reliable product, numerous unpredictable conditions and/or variables could occur during its use, resulting in possible property damage, personal injury or death. By proceeding with the installation, the purchaser acknowledges that these inherent dangers and unpredictable conditions exist. Furthermore, the purchaser understands that Mark One Industries Inc. / D.B.A. Sargent Cycle Products North America shall not be held liable for any direct, indirect, incidental, special, or consequential damages arising out of or in connection with the use of this product. Some states do not allow the exclusion or limitation of incidental or consequential damages, so this limitation or exclusion may not apply to you. If the purchaser does not agree to all terms of this limitation of liability/disclaimer, the product may be returned to Sargent Cycle Products North America in its original packaging (within 30 days) for a full refund of the purchase price (excluding shipping and handling).

## EM-5 BACKREST INSTALLATION AND OPERATION GUIDE

To install the EM-5 Backrest Assembly onto the Support Shaft, loosen the two knobs of the Main Control Unit and slide onto the Support Shaft. Tighten the knobs until snug. To adjust motions 1-3, loosen the two rubber knobs just enough to freely make adjustments. Tighten the rubber knobs securely to lock all positions. Swivel motion 4 is automatic and continuous. Motion 5 is affected by removing fasteners “A” to raise or lower pad on Swivel Mount using alternate holes (5 mm allen wrench).



- ⚠ Be sure that knobs are tight before each use.
- ⚠ When not using the backrest, always remove both the EM-5 backrest assembly and the support shaft assembly from the seat.
- ⚠ READ other important warnings above before use.
- ⚠ Always be sure that at least ¼ inch (12 mm) of support shaft is exposed at the top, above the main adjuster unit.
- ⚠ Only make adjustments to the backrest main control unit while the motorcycle is at a stop and motor turned off. Never attempt to make adjustments while riding.

