

PRODUCT SPECIFICATIONS

# SA36R/SA36C Sovereign Radiant/Circulating Wood Burning Fireplace



**DIMENSIONS**

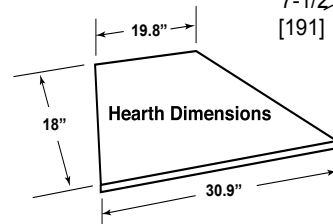
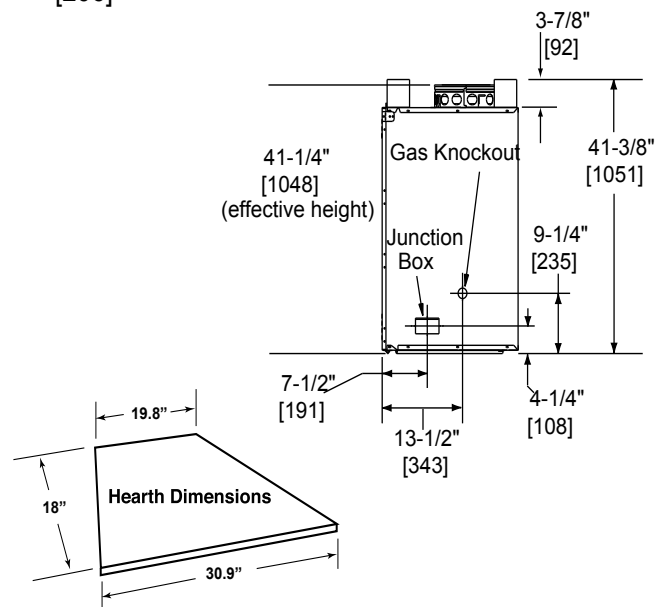
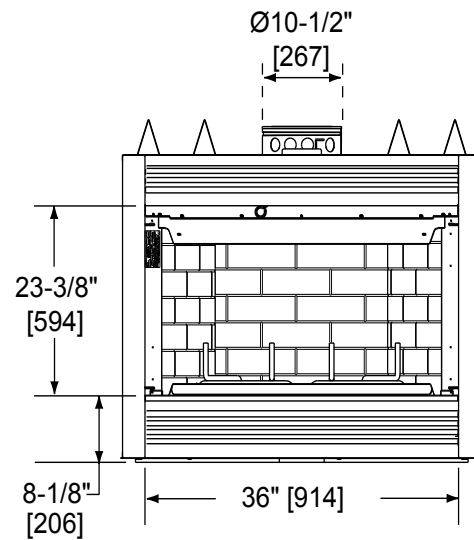
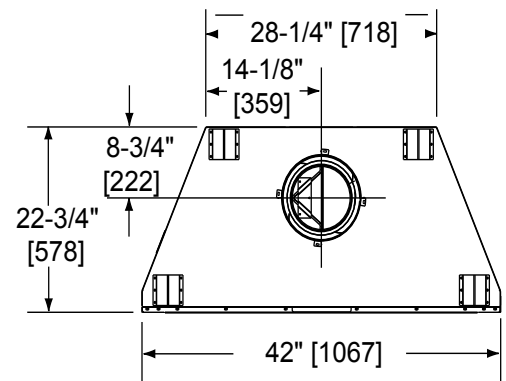
Actual size: 42" W x 41 1/4" H x 22 3/4" D x 28 1/4" RW  
 (1067 mm x 1048 mm x 578 mm x 718 mm)  
 Viewing area: 36" W x 21 3/8" H (769 1/2 sq. in.)  
 (914 mm X 724 mm, 4965 cm<sup>2</sup>)  
 Framing Dimensions: 43" W x 41 1/2" H x 23" D  
 (1092 mm x 1054 mm x 584 mm)

**STANDARD FEATURES**

- Fully insulated radiant or heat circulating fireplace
- Traditional full refractory lining
- Powder coated finish
- Safety firescreen
- Dual gas knockouts
- Steel grate
- Front access damper handle
- Attic insulation shield standard
- Ash lip
- UL/ULC Listed

**OPTIONAL FIELD INSTALLED ACCESSORIES**

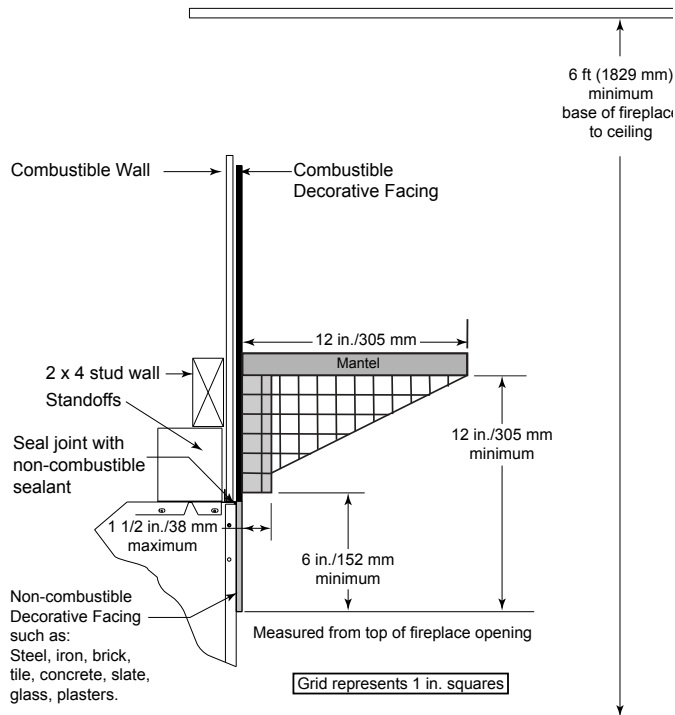
- Bi-fold glass doors with Black trim (DM1736) or Stainless trim (DM1736S)
- Gasketed cabinet style glass door with Black trim (GGD36BK) for use with circulating models only
- Grand Vista cabinet style mesh doors with Black trim (GV36BK)
- SL300 series termination caps
- 4" insulated flex duct for outside air (ID4)
- 4" uninsulated flex duct for outside air (UD4)
- Chimney air kit (CAK4A)(required in Canada)
- Outside air kit (AK22) for indoor applications only
- 160 cfm fan kit (FK23) for use on circulating models only
- Variable speed control (SCVS)
- Gas logs available



# SA36R/SA36C Sovereign Radiant/Circulating Wood Burning Fireplace



## MANTEL CLEARANCES



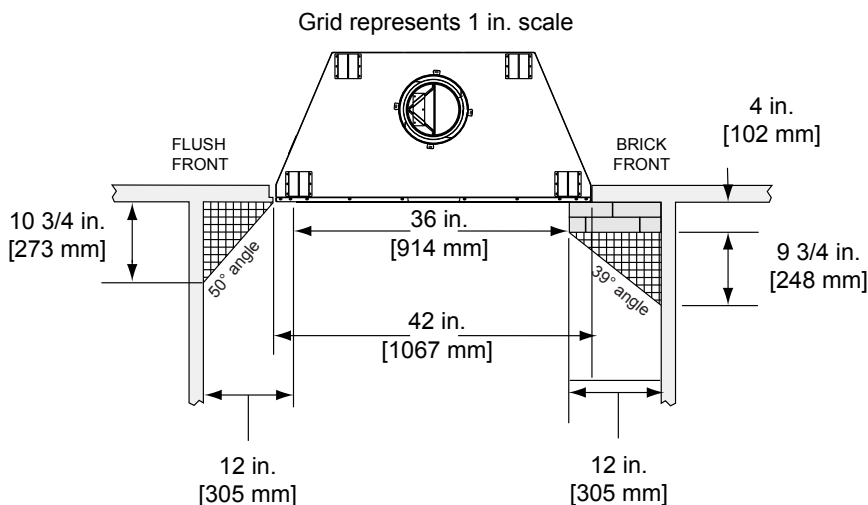
## TECHNICAL SPECIFICATIONS

- Flue series: SL300 series pipe
- Flue size: 8" (203 mm) inner; 10½" (267 mm) outer
- Clearance to flue: 2" (51 mm)
- Firestop framing: 14½" x 14½" (368 mm x 368 mm)
- Minimum flue height: 16½' (5 m)
- Maximum flue height: 90' (27.4 m)
- Minimum height with single offset/return: 16½' (5 m)
- Minimum height with double offset/return: 21' (6.4 m)
- Minimum hearth size: 16" D x 52" L (406 mm x 1321 mm)
- UL/ULC design certified

## CLEARANCES

- Clearance to fireplace: ¾" (38 mm) to sides and back
- Maximum mantel depth: 12" (305 mm) from top of fireplace opening
- Minimum mantel height: 6" (152 mm) from top of fireplace opening
- Adjacent combustible sidewalls: minimum 12" (305 mm) from fireplace opening
- Mantel leg, surround, stub wall, whether combustible or non-combustible may be constructed as shown in the second drawing.

## SURROUND, STUB WALL, MANTEL LEG CLEARANCES



A Brand of Vermont Castings Group  
149 Cleveland Drive, Paris, Kentucky 40361  
[www.monessenhearth.com](http://www.monessenhearth.com)

To avoid personal injury or property damage, the product described by this brochure must be installed, operated and maintained in strict compliance with the instructions packaged with the product and all applicable building or fire codes. Contact local building or fire officials about restrictions and installation inspection requirements. All photographs and drawings on this brochure are for illustrative purposes only and are not intended for, nor should they be used as a substitute for the instructions packaged with the unit. Appearance and specifications of the product are subject to change without notice. © 2015 Vermont Castings Group 0515 v1