

PRODUCT SPECIFICATIONS

# DSR42 Designer See-Through Radiant Wood Burning Fireplace



**DIMENSIONS**

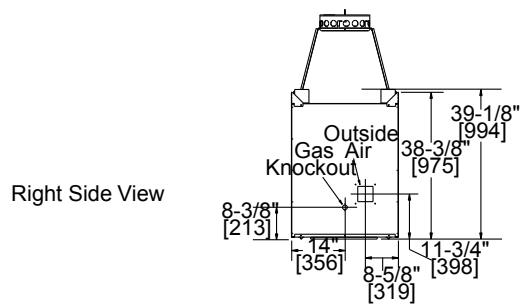
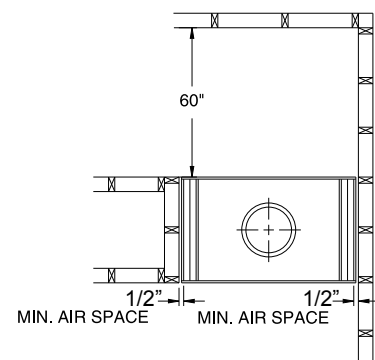
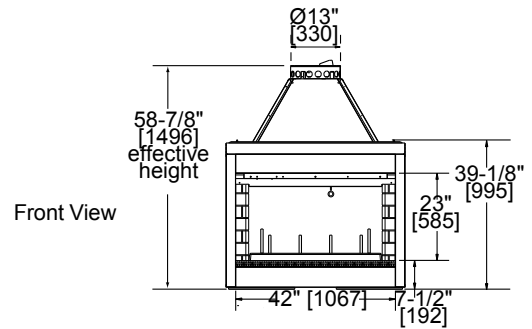
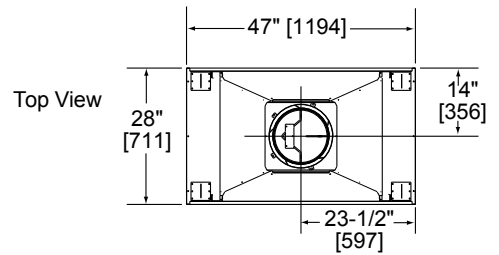
- Actual size: 47" W x 58<sup>7</sup>/<sub>8</sub>" H x 28" D  
(1016 mm x 1022 mm x 610 mm)
- Viewing area: 42" W x 23" H (966 sq. in.)  
(1067 mm X 584 mm, 6233 cm<sup>2</sup>)
- Framing Dimensions: 48" W x 39<sup>1</sup>/<sub>8</sub>" H x 27" D  
(1219 mm x 994 mm x 686 mm)

**STANDARD FEATURES**

- Clean face design and fully insulated see through fireplace
- Full refractory lining
- Authentic masonry appearance
- Powder coated finish
- Safety firescreen
- Dual gas knockouts
- Steel grate
- Outside air kit standard
- Attic insulation shield standard
- UL/ULC Listed

**OPTIONAL FIELD INSTALLED ACCESSORIES**

- Bi-fold glass doors with Black trim (DM1242)
- SL1100 series termination caps
- 4" insulated flex duct for outside air (ID4)
- 4" uninsulated flex duct for outside air (UD4)
- Chimney air kit (CAK4A)
- Gas logs available



Framing dimensions in illustrations accommodate 1/2" finishing material.

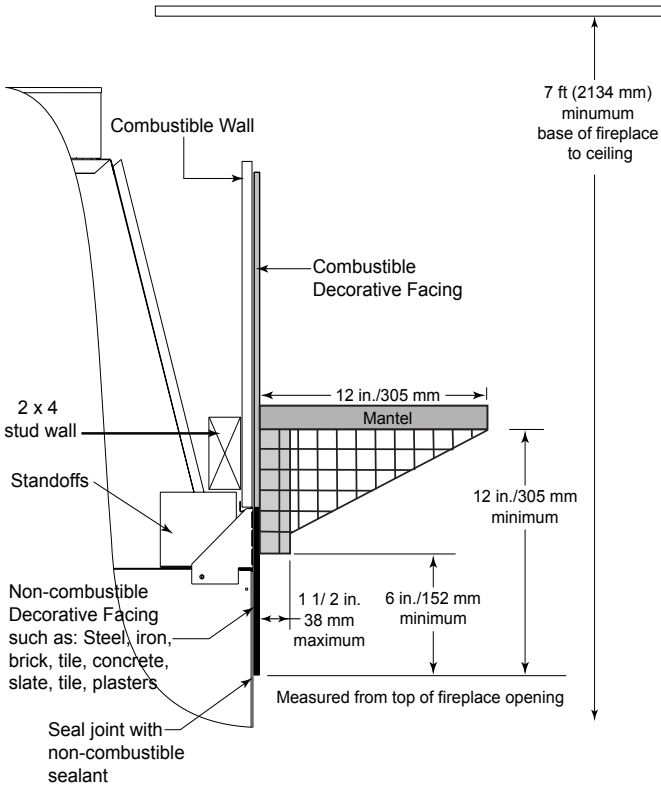
149 Cleveland Drive, Paris, Kentucky 40361  
 www.monessenhearth.com  
 See back for more technical information.

Note: DSR42 is not approved for sale or use in Canada.

# DSR42 Designer See-Through Radiant Wood Burning Fireplace



## MANTEL CLEARANCES



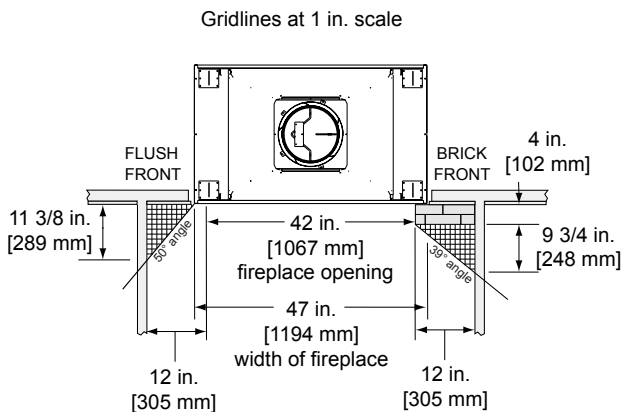
## TECHNICAL SPECIFICATIONS

- Flue series: SL1100 series pipe
- Flue size: 11" (279 mm) inner; 13" (330 mm) outer
- Clearance to flue: 2" (51 mm)
- Firestop framing: 17" x 17" (432 mm x 432 mm)
- Minimum flue height: 14' (4.3 m)
- Maximum flue height: 90' (27.4 m)
- Minimum height with single offset/return: 16.5' (5 m)
- Minimum height with double offset/return: 22' (6.7 m)
- Minimum hearth size: 20" D x 66" L (508 mm x 1676 mm)
- UL/ULC design certified

## CLEARANCES

- Clearance to fireplace: 1/2" (13 mm)
- Maximum mantel depth: 12" (305 mm) from top of fireplace opening
- Minimum mantel height: 6" (152 mm) from top of fireplace opening
- Adjacent combustible sidewalls: minimum 12" (305 mm) from fireplace opening
- Mantel leg, surround, stub wall, whether combustible or non-combustible may be constructed as shown in the second drawing.

## SURROUND, STUB WALL, MANTEL LEG CLEARANCES



A Brand of Vermont Castings Group  
 149 Cleveland Drive, Paris, Kentucky 40361  
[www.monessenhearth.com](http://www.monessenhearth.com)