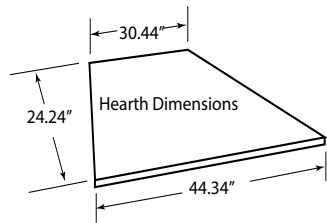
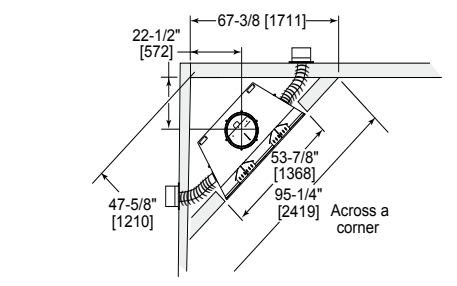
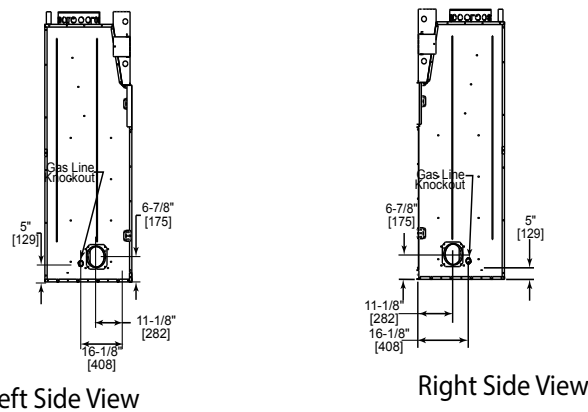
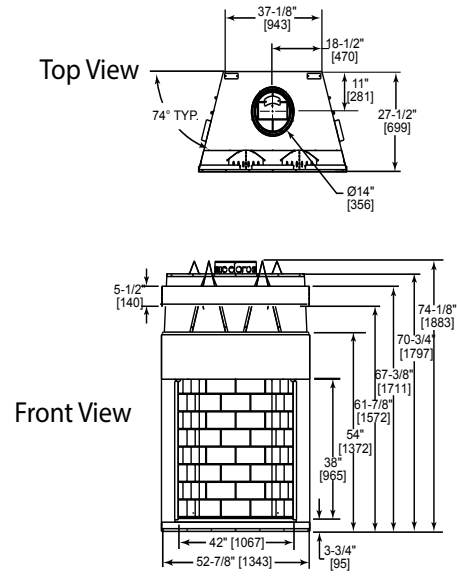


PRODUCT SPECIFICATIONS

ASH42 Ashland Radiant Wood Burning Fireplace



DIMENSIONS

Actual size: 52⁷/₈" W x 74¹/₈" H x 27¹/₂" D x 37¹/₈" RW
 (1343 mm x 1883 mm x 699 mm x 943 mm)
 Viewing area: 42" W x 38" H (1596 sq. in.)
 (1067 mm X 965 mm, 1 m²)
 Framing Dimensions: 53⁷/₈" W x 74¹/₂" H x 28¹/₂" D
 (1368 mm x 1892 mm x 724 mm)

STANDARD FEATURES

- Flush hearth design enables non-combustible finishing materials to be applied up to firebox opening
- Impressive, masonry-style traditional or herringbone molded brick panels
- Powder coated finish
- Safety firescreen
- Dual gas knockouts
- Steel grate
- Outside air kit standard
- Attic insulation shield standard
- UL/ULC Listed

OPTIONAL FIELD INSTALLED ACCESSORIES

- Bi-fold glass doors with Black (DFG4042BK) or Bronze (DFG4042BZ) trim
- Mesh cabinet style door doors with Black (DFS4042BK) or Bronze (DFS4042BZ)
- Molded brick panels, traditional (AMMTB42) or herringbone (AMMHB42)
- Brick refractory extensions, traditional (AMMTBX) or herringbone (AMMHBX)
- SL1100 termination caps
- 6" insulated flex duct for outside air (ID6)
- 6" uninsulated flex duct for outside air (UD6)
- Gas logs available

149 Cleveland Drive, Paris, Kentucky 40361
 www.monessenhearth.com
 See back for more technical information.

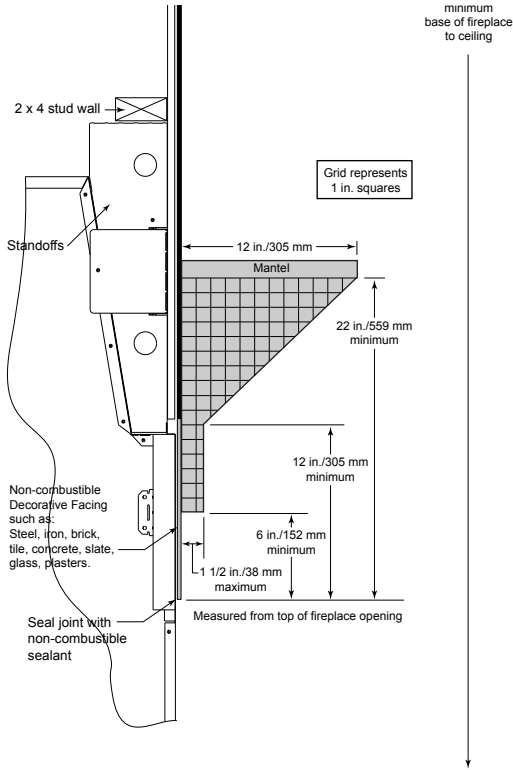
Note: The ASH42 is not approved for sale or use in Canada.

PRODUCT SPECIFICATIONS

ASH42 Ashland Radiant Wood Burning Fireplace



MANTEL CLEARANCES



TECHNICAL SPECIFICATIONS

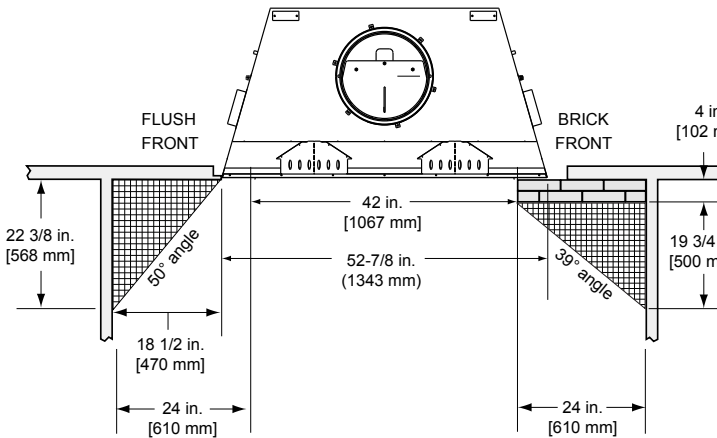
- Flue series: SL1100 series pipe
- Flue size: 11" (279 mm) inner; 13" (330 mm) outer
- Clearance to flue: 2" (51 mm)
- Firestop framing: 17" x 17" (432 mm x 432 mm)
30° - 17" x 26" (432 mm x 660 mm)
- Minimum flue height: 18' (5.5 m)
- Maximum flue height: 90' (27.4 m)
- Minimum height with single offset/return: 18½' (5.6 m)
- Minimum height with double offset/return: 24' (7.3 m)
- Minimum hearth size: 20" D x 66" L (508 mm x 1676 mm)
- UL/ULC design certified

CLEARANCES

- Clearance to fireplace: 1½" (38 mm) to sides and back
- Maximum mantel depth: 12" (305 mm) from top of fireplace opening
- Minimum mantel height: 6" (152 mm) from top of fireplace opening
- Adjacent combustable sidewalls: minimum 24" (610 mm) from fireplace opening
- Mantel leg, surround, stub wall, whether combustable or non-combustible may be constructed as shown in the second drawing.

SURROUND, STUB WALL, MANTEL LEG CLEARANCES

Note: Grid depicts 1 inch squares.



A Brand of Vermont Castings Group
149 Cleveland Drive, Paris, Kentucky 40361
www.monessenhearth.com

To avoid personal injury or property damage, the product described by this brochure must be installed, operated and maintained in strict compliance with the instructions packaged with the product and all applicable building or fire codes. Contact local building or fire officials about restrictions and installation inspection requirements. All photographs and drawings on this brochure are for illustrative purposes only and are not intended for, nor should they be used as a substitute for the instructions packaged with the unit. Appearance and specifications of the product are subject to change without notice. © 2015 Vermont Castings Group 0515 v1