

SERIAL NO./ N° DE SÉRIE



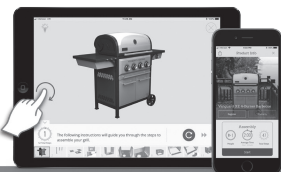
VERMONT CASTINGSTM_{MC}

VERMONT CASTINGS VANGUARD^{TM/MC} 4-BURNER BARBECUE

ASSEMBLY MANUAL

REGISTER YOUR NEW GRILL AT
WWW.VERMONTCASTINGSBBQ.COM

Before you begin



ENHANCE YOUR ASSEMBLY WITH A
QUICKER & EASIER ASSEMBLY EXPERIENCE
DOWNLOAD THE FREE APP



LAST UPDATE: NOV 09, 2018



WELCOME TO VERMONT CASTINGS

Founded in 1975, Vermont Castings has always stood for uncompromising commitment to quality craftsmanship and meaningful design. Our wood stoves and hearth products deliver more than heat – they create a warmth that unites.

Lit with purpose, our line of Vermont Castings barbecues are designed to deliver your best grilling experience. With a durable, robust construction built to last through the years, thoughtfully constructed components that stand up to grilling in any season, and a simplified system to make maintaining your investment easier, Vermont Castings continues the promise of unwavering quality and purposeful design.

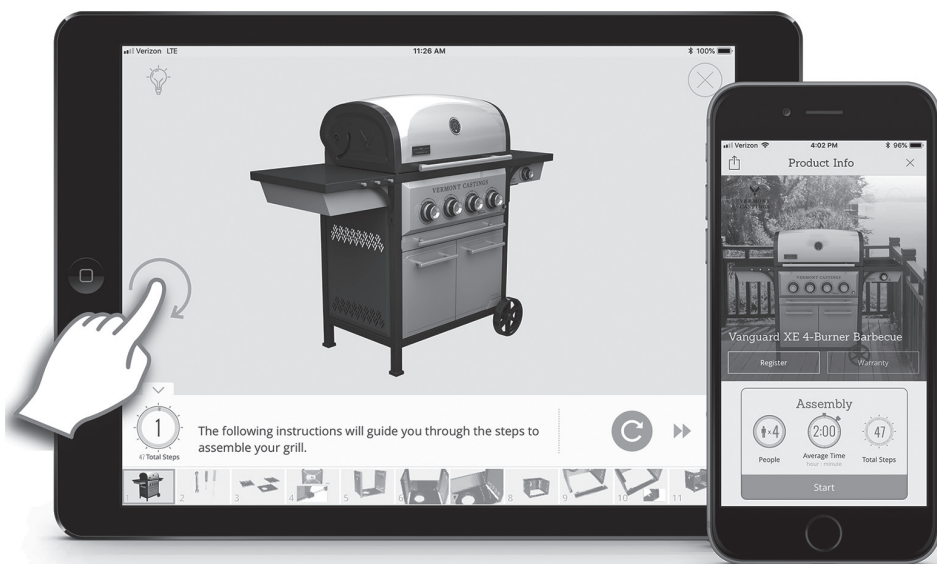
Vermont Castings barbecues do more than just grill. They let you create enduring connections around food and flame.

CONTACT US: 1-844-586-4660
WWW.VERMONTCASTINGSBBQ.COM

PLEASE KEEP THIS MANUAL WITH YOUR
BARBECUE FOR FUTURE REFERENCE

IMPORTANT

Easy step-by-step
interactive 3D instructions
for this product can be found in



BILT. INTELLIGENT INSTRUCTIONS

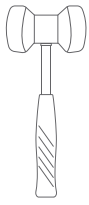


Available on most iOS and Android Devices

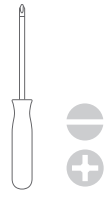
DOWNLOAD THE **FREE** APP



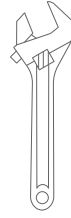
TOOLS REQUIRED



Mallet



Screwdrivers



Wrench



4 People

HARDWARE PACK

| PART NO. | DESCRIPTION | PHOTO | QTY |
|----------|--------------------------|-------|-----|
| 1 | ¼"-20UNC x 38 Screw | | 6 |
| 2 | ¼"-20UNC x 13 Screw | | 29 |
| 3 | NO.10-24UNC x 13 Screw | | 33 |
| 4 | ST4.8 x 10 Tapping Screw | | 2 |
| 5 | Wheel Bushing | | 3 |
| 6 | Pin, Wheel | | 1 |
| 7 | Spacer, Door Handle | | 4 |
| 8 | Pin, Main Burner | | 4 |
| 9 | Wing Nut, Side Burner | | 1 |
| 10 | NO.10-24UNC x 18 Screw | | 4 |

SYMBOLS



HEAVIEST END



SYMBOLS: THESE SYMBOLS ARE USED THROUGHOUT THIS ASSEMBLY MANUAL TO EMPHASIZE CRITICAL AND IMPORTANT PART INFORMATION.

PARTS

| ITEM NO. | QTY. | DESCRIPTION | PART NO. |
|----------|------|----------------------------------|--------------|
| AA | 1 | Top Lid Assembly | G540-1800-02 |
| AB | 1 | Lid Handle | G540-0017-01 |
| AC | 1 | Thermometer | G366-0035-01 |
| AD | 2 | Top Lid screw & hitch pin | G539-0024-02 |
| AE | 2 | Lid Bumper, Top Lid | G366-0050-01 |
| AF | 2 | Lid Bumper, Burner Box | G527-0002-02 |
| BA | 1 | Burner Box Assembly | G540-1700-01 |
| BB | 1 | Top Frame | G540-0100-01 |
| BC | 4 | Main Burners | G366-0400-01 |
| BD | 2 | Electrode Set 600mm, Main Burner | G366-0030-01 |
| BE | 4 | Electrode Set 800mm, Main Burner | G539-0028-01 |
| BF | 4 | Heat plate | G366-0031-01 |
| BG | 3 | Cooking Grate, Main Burner | G366-0032-01 |
| BH | 2 | Heat Shield, Burner Box | G366-0048-01 |
| BI | 1 | Warming Rack | G540-0015-01 |
| BJ | 1 | Match Holder | G570-0035-01 |
| CA | 1 | Control Panel | G540-0005-01 |
| CB | 1 | Heat Shield, Control Panel | G540-0023-01 |
| CC | 4 | Control Knob, Main Burner | G366-1500-01 |
| CD | 4 | Control Knob Bezel, Main Burner | G366-0010-01 |
| CE1 | 1 | Electronic Ignition Module | G540-0002-01 |
| CE2 | 1 | Battery Cover | G540-0002-02 |
| CE3 | 1 | Ignition Switch | G366-0011-01 |
| CF | 1 | Ground Wire | G602-0024-03 |
| CG | 1 | Manifold Assembly | G540-1200-01 |
| CH | 1 | Regulator | G312-1004-01 |
| CI | 1 | Regulator Bracket | G366-0046-01 |
| CJ | 1 | Front Brace with Door Magnet | G540-1300-01 |
| CK | 2 | Metal Hose | G508-0024-01 |
| CL | 1 | Hose Connector | G466-0085-01 |
| DA | 1 | Grease Drawer Assembly | G540-1600-01 |
| DB | 1 | Replacement Liner | G366-0022-01 |
| DC | 1 | Grease Pan | G366-0021-01 |
| EA | 1 | Side Shelf Table, Left | G539-0025-01 |
| EB | 1 | Side Shelf Fascia, Left | G540-0500-01 |
| EC | 1 | Side Burner Table, Right | G540-0600-01 |

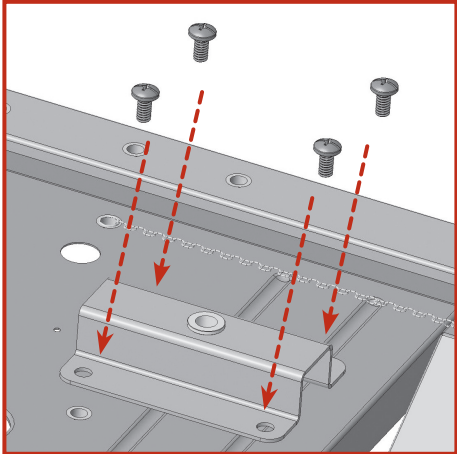
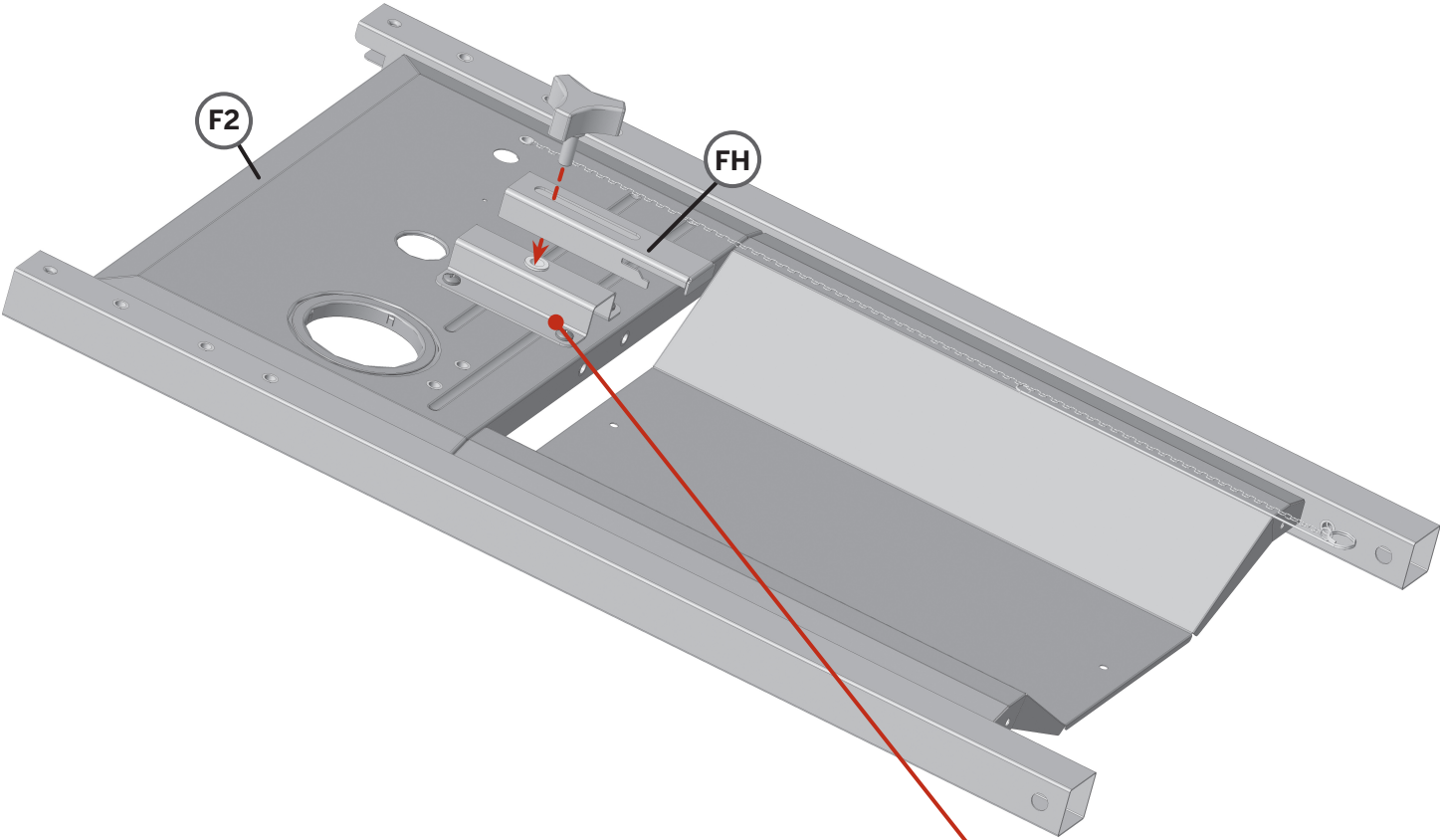
| ITEM NO. | QTY. | DESCRIPTION | PART NO. |
|----------|------|-----------------------------------|--------------|
| ED | 3 | Tool Hooks | G366-0041-01 |
| EE | 1 | Side Burner Fascia, Right | G540-0700-01 |
| EF | 1 | Side Burner Drip Pan | G515-0083-01 |
| EG | 1 | Side Burner Lid | G518-0036-01 |
| EH | 1 | Side Burner Valve | G540-0006-01 |
| EI | 1 | Side Burner | G540-2100-01 |
| EJ | 1 | Electrode Set, Side Burner | G515-0039-02 |
| EK | 1 | Cooking Grate, Side Burner | G540-0020-01 |
| EL | 1 | Control Knob, Side Burner | G540-2200-01 |
| EM | 1 | Control Knob Bezel, Side Burner | G540-0019-01 |
| EN | 4 | Side Shelf Support Brace | G539-0500-01 |
| FA | 1 | Front Leg, Left (F1) | G366-1001-01 |
| FB | 1 | Back Leg, Left (F1) | G366-1002-01 |
| FC | 1 | Cart Side Panel, Left (F1) | G366-1003-01 |
| FD | 1 | Front Leg, Right (F2) | G366-1101-01 |
| FE | 1 | Back Leg, Right (F2) | G366-1102-01 |
| FF | 1 | Upper Cart Side Panel, Right (F2) | G366-1103-01 |
| FG | 1 | Lower Cart Side Panel, Right (F2) | G366-1104-01 |
| FH | 1 | Cylinder support | G539-0017-02 |
| FI | 1 | Tank Base Support | G539-0016-01 |
| FJ | 1 | Upper Back Panel | G540-0004-01 |
| FK | 1 | Lower Back Panel | G540-0003-01 |
| FL | 1 | Door Assembly, Left | G540-1400-01 |
| FM | 1 | Door Assembly, Right | G540-1500-01 |
| FN | 1 | Lower Door Brace | G366-0015-01 |
| FO | 2 | Door Handle | G539-0010-01 |
| FP | 1 | Bottom Panel | G540-0001-01 |
| FQ | 2 | Tank Exclusion Brace | G366-0014-01 |
| GA | 2 | Feet | G539-0002-01 |
| GB | 2 | Wheel | G366-1200-01 |
| GC | 1 | Wheel Axle | G366-0003-01 |
| H1 | 1 | Hardware Pack | G540-B001-01 |
| H2 | 1 | Assembly Manual | G540-M001-01 |
| H3 | 1 | User Manual | G540-M001-02 |

BUILD IT

STEP 1A

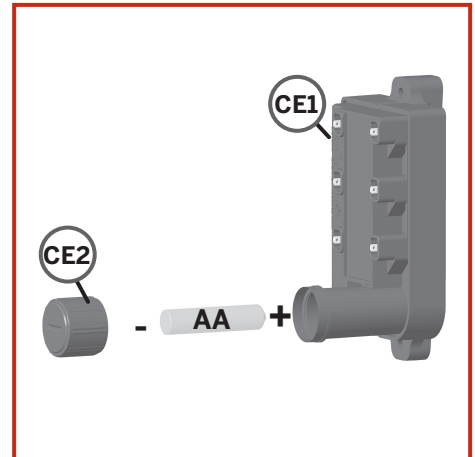
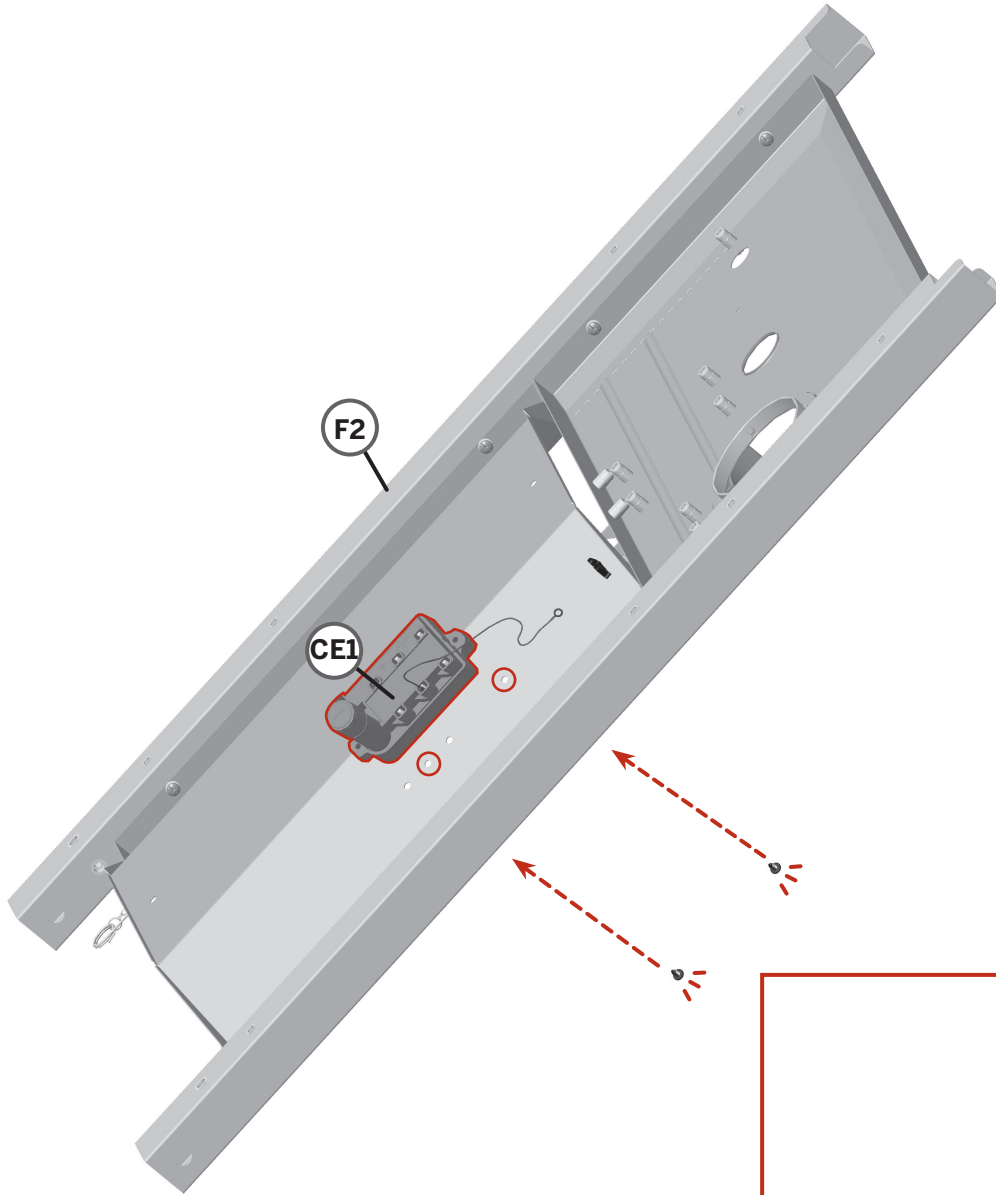
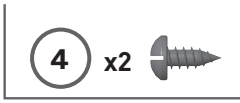


Assemble on a **FLAT** and **SOFT** surface to avoid damage.



BUILD IT

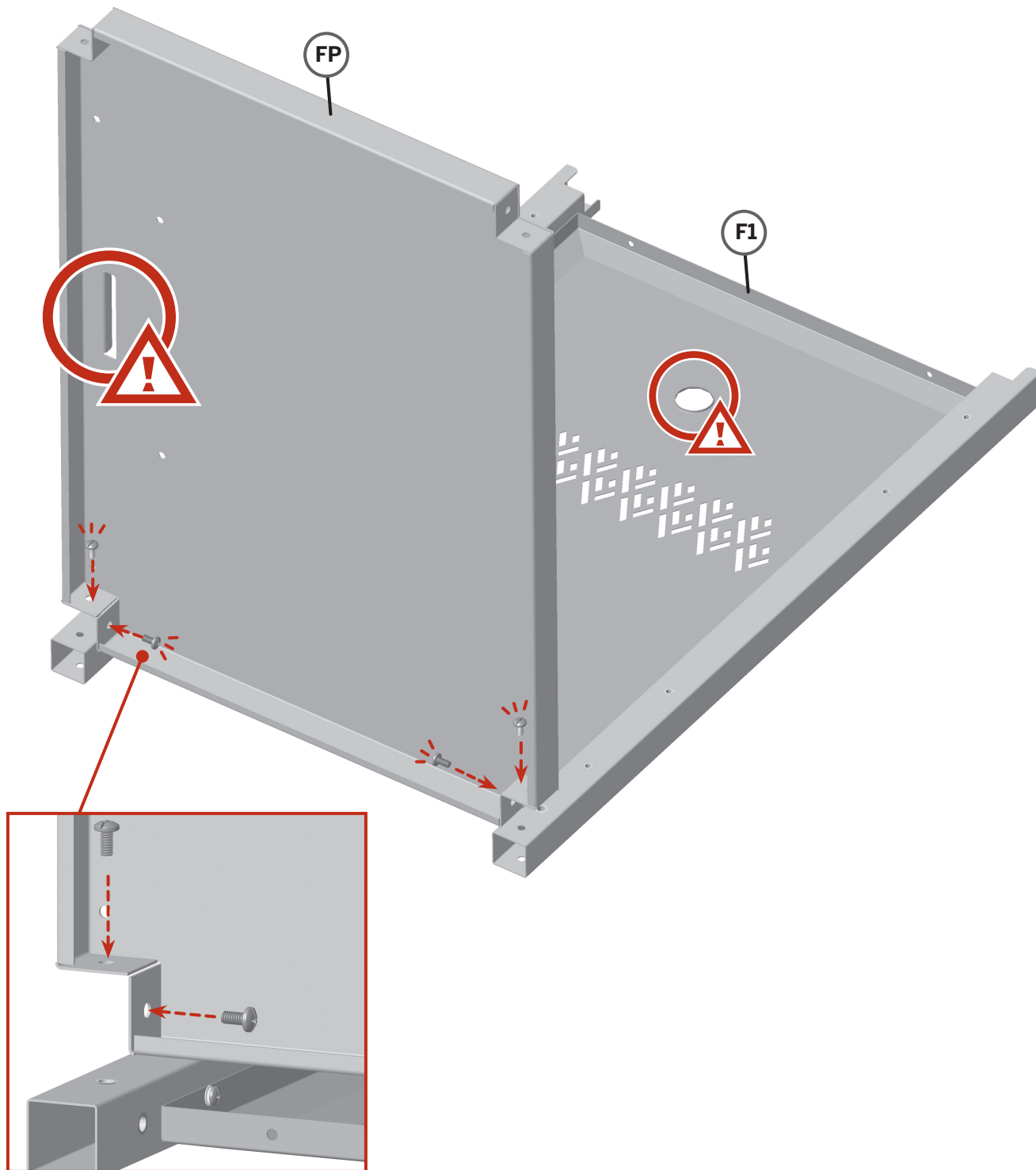
STEP 1B



BATTERY NOT INCLUDED.

BUILD IT

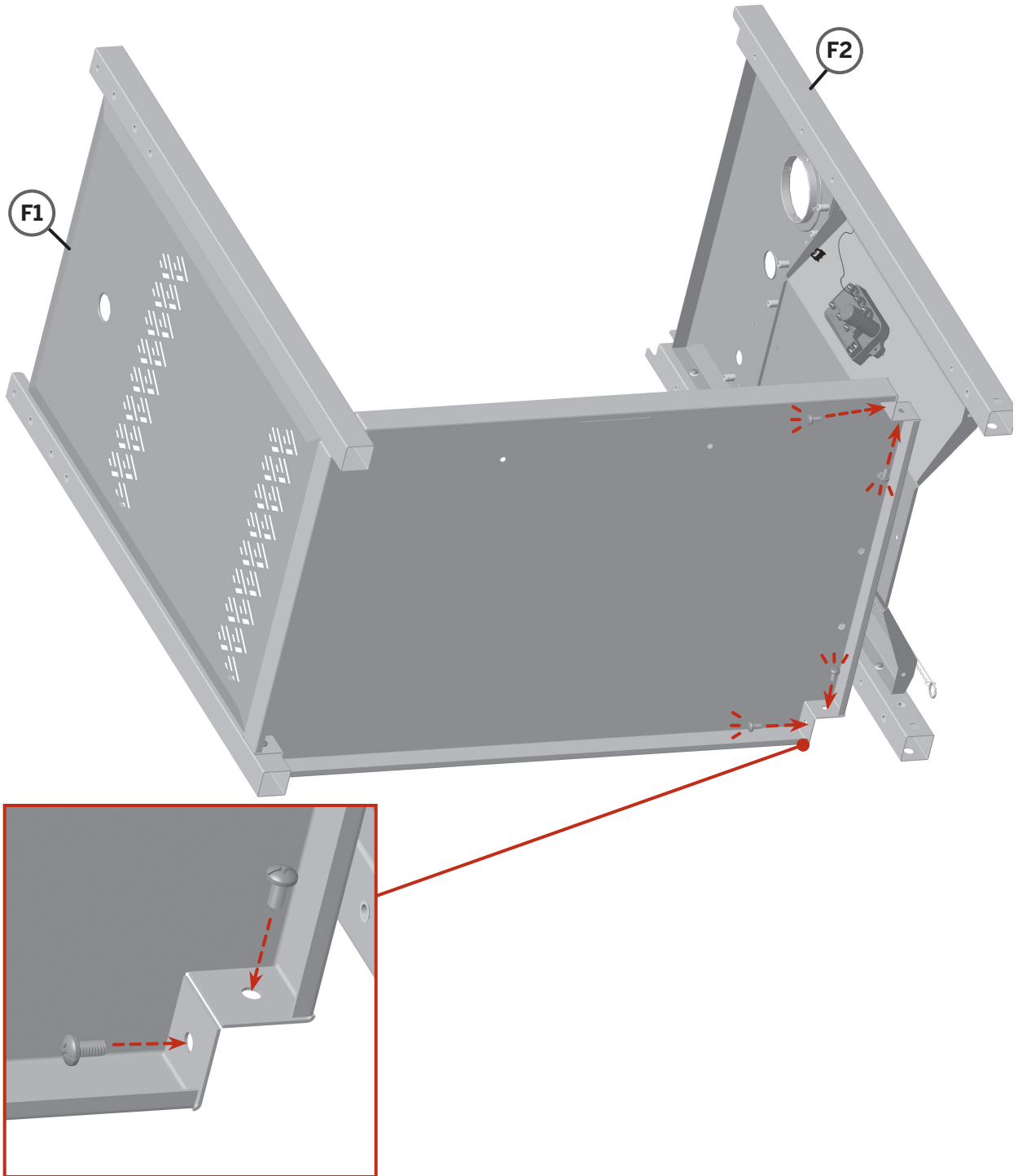
STEP 2A



BUILD IT

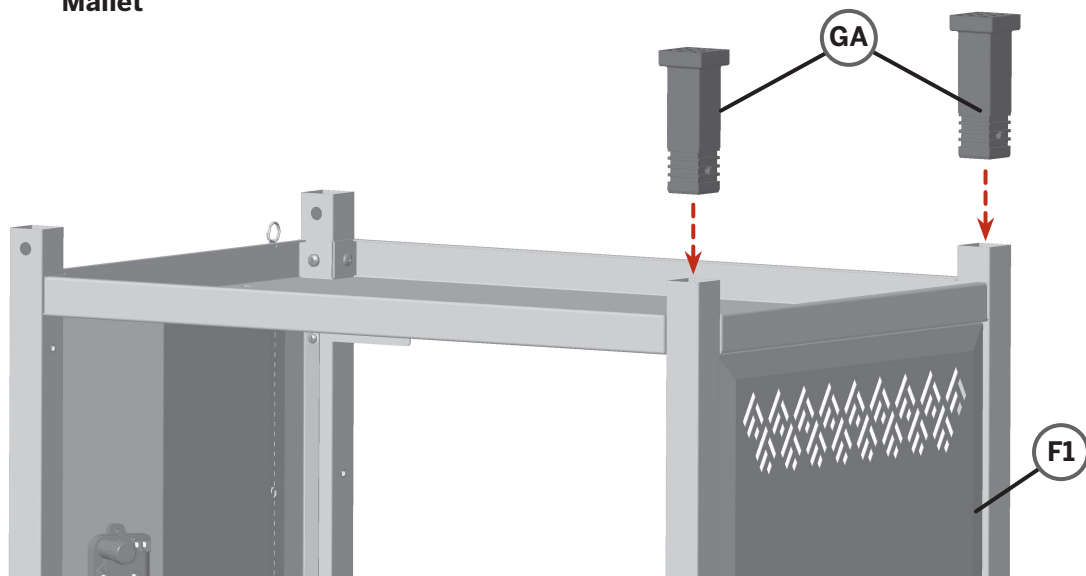
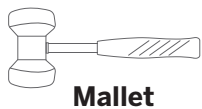
BUILD IT

STEP 2B

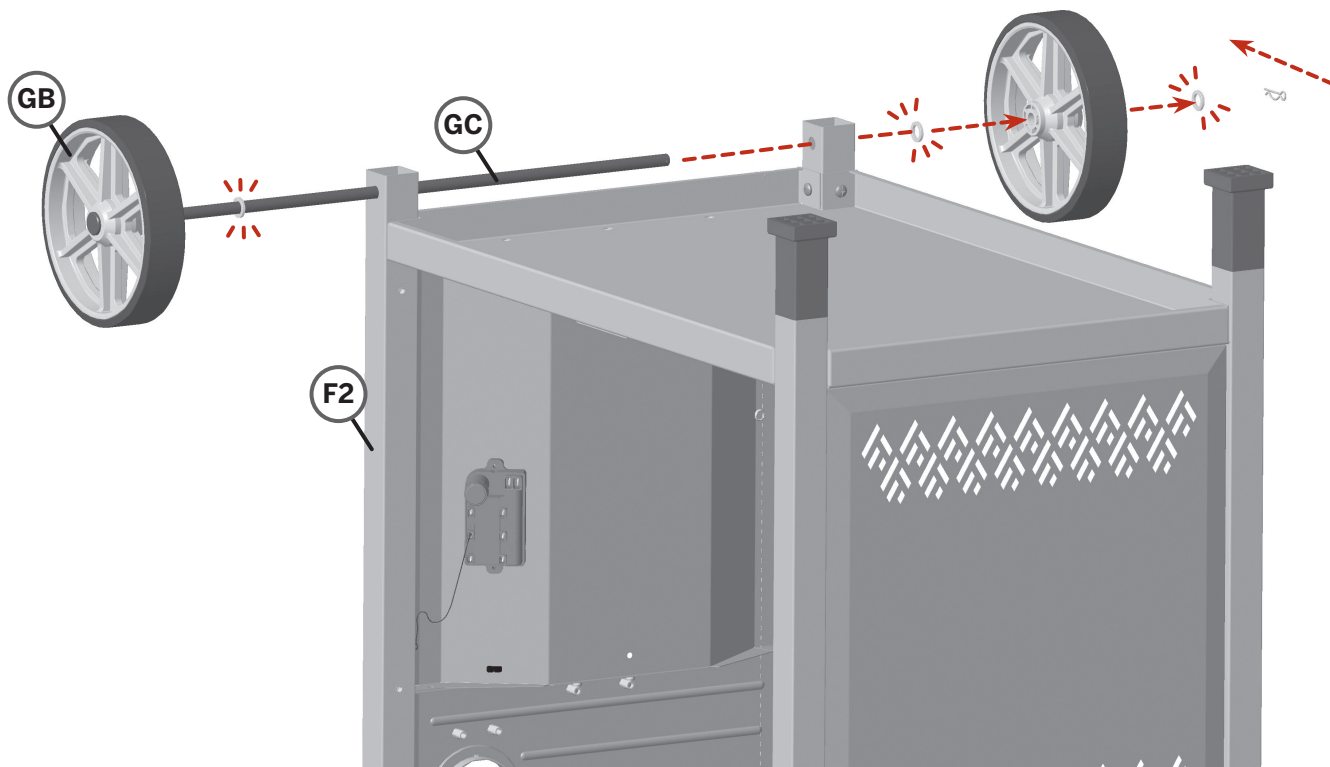


BUILD IT

STEP 3A



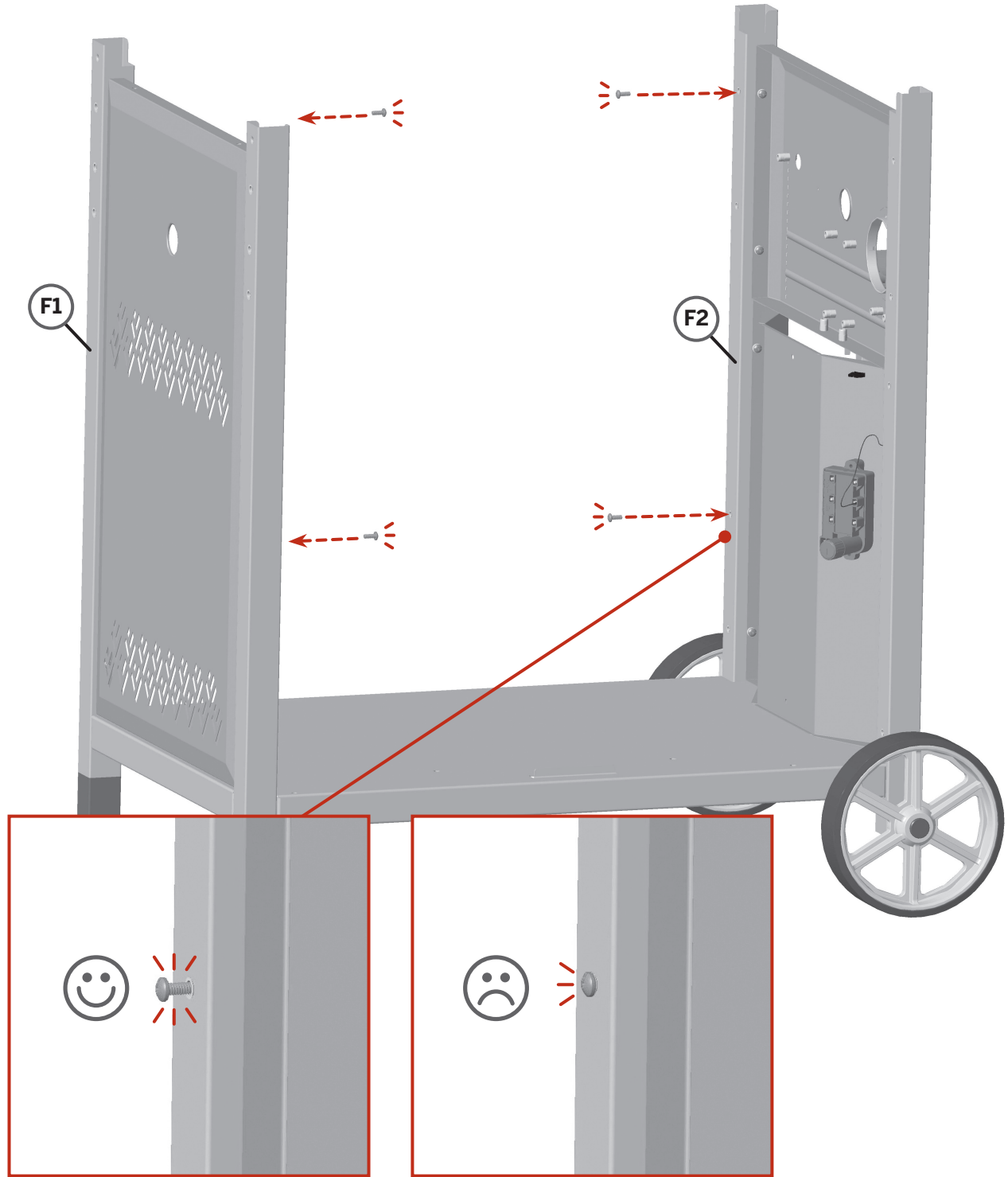
STEP 3B



BUILD IT

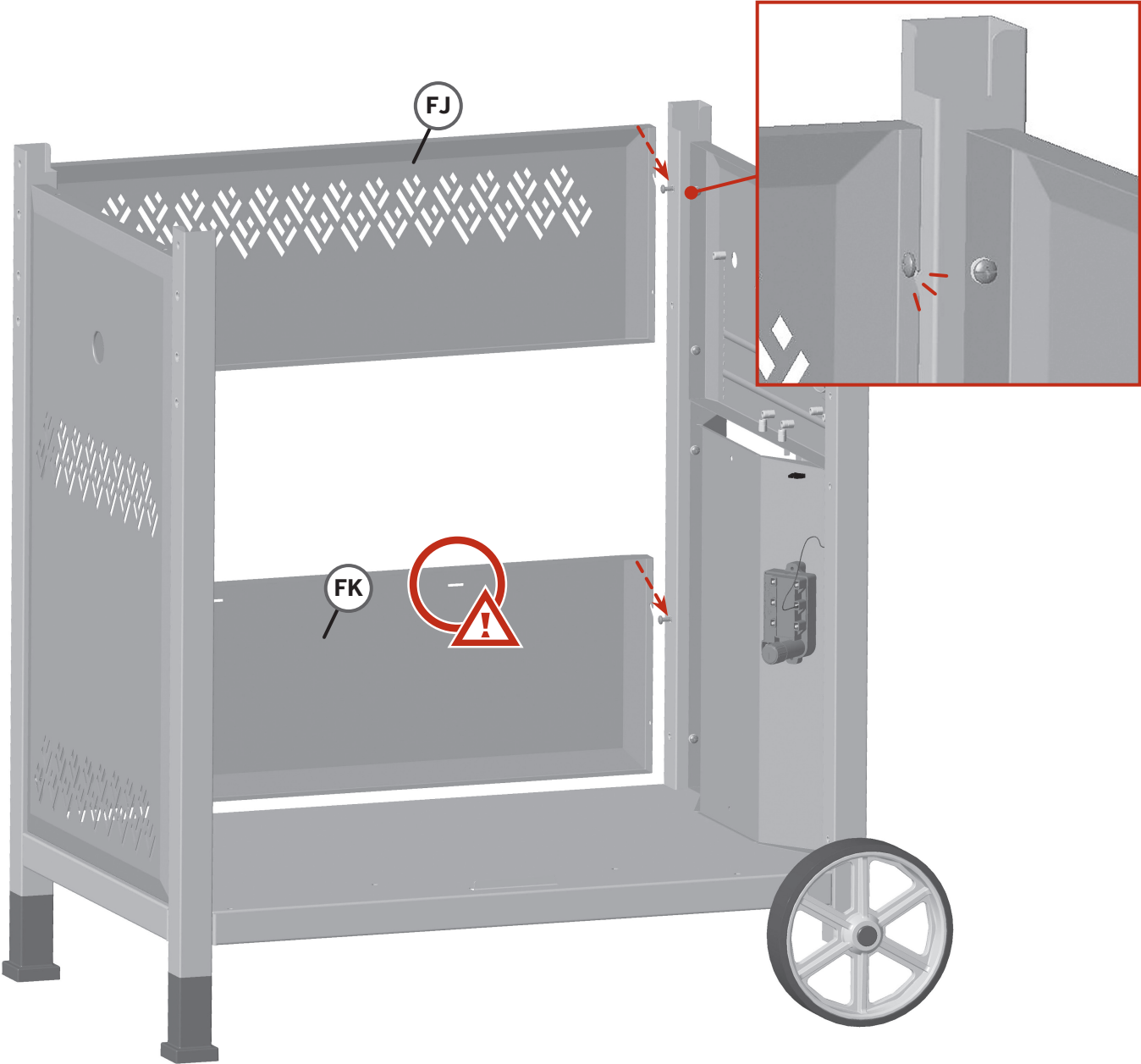
BUILD IT

STEP 4A



BUILD IT

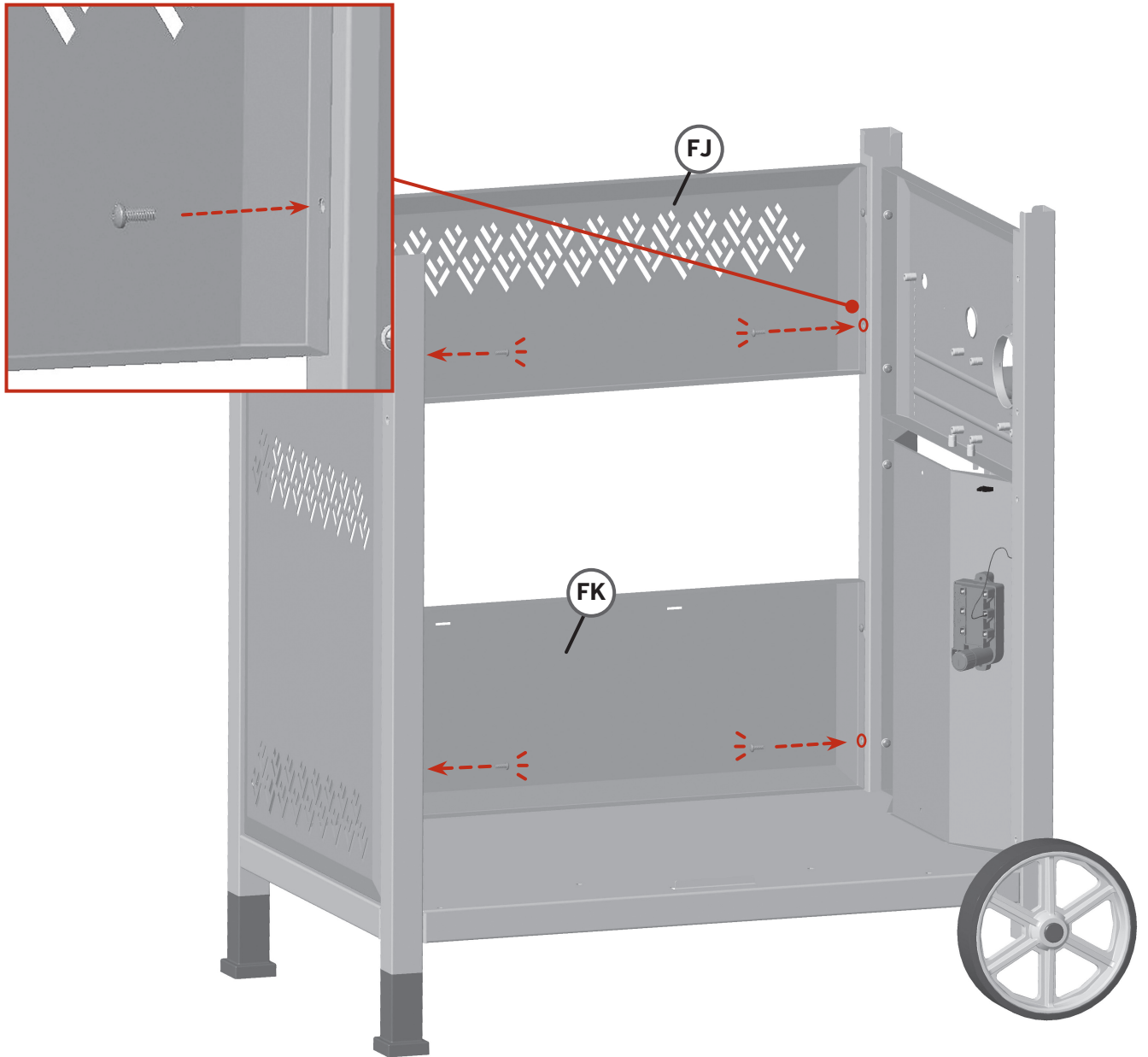
STEP 4B



BUILD IT

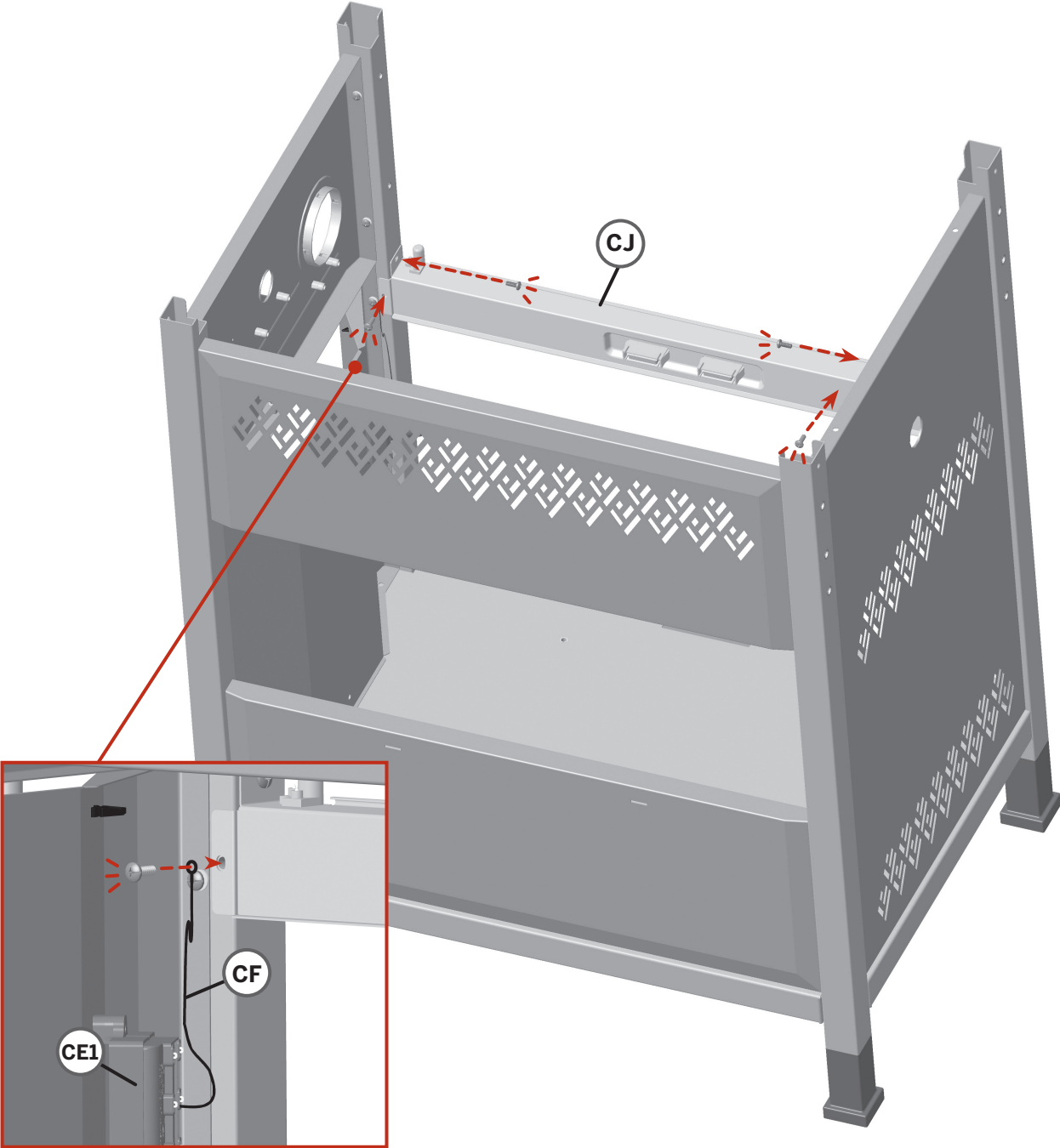
BUILD IT

STEP 4C



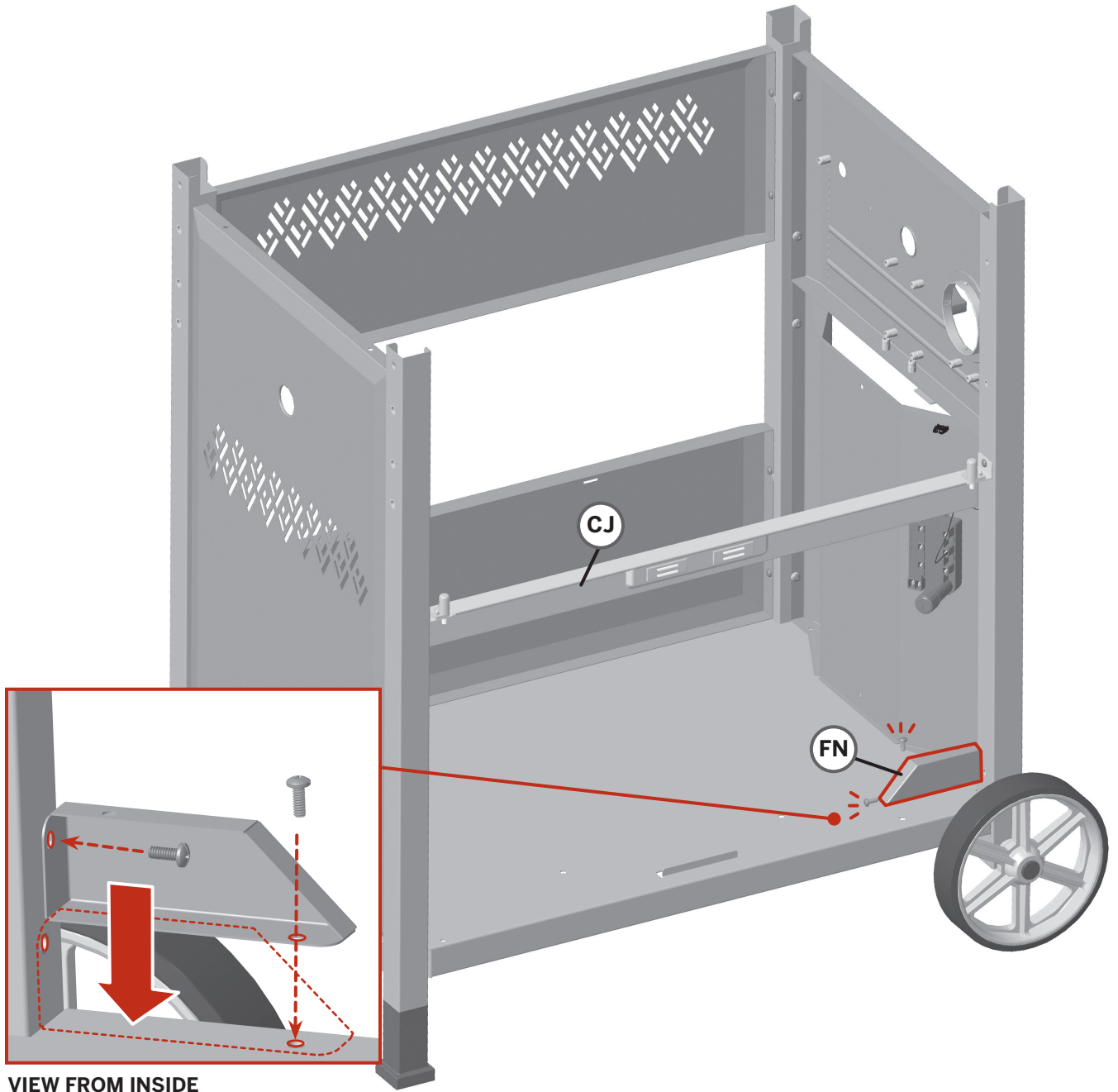
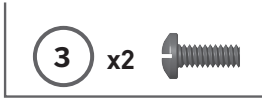
BUILD IT

STEP 4D



BUILD IT

STEP 5



VIEW FROM INSIDE

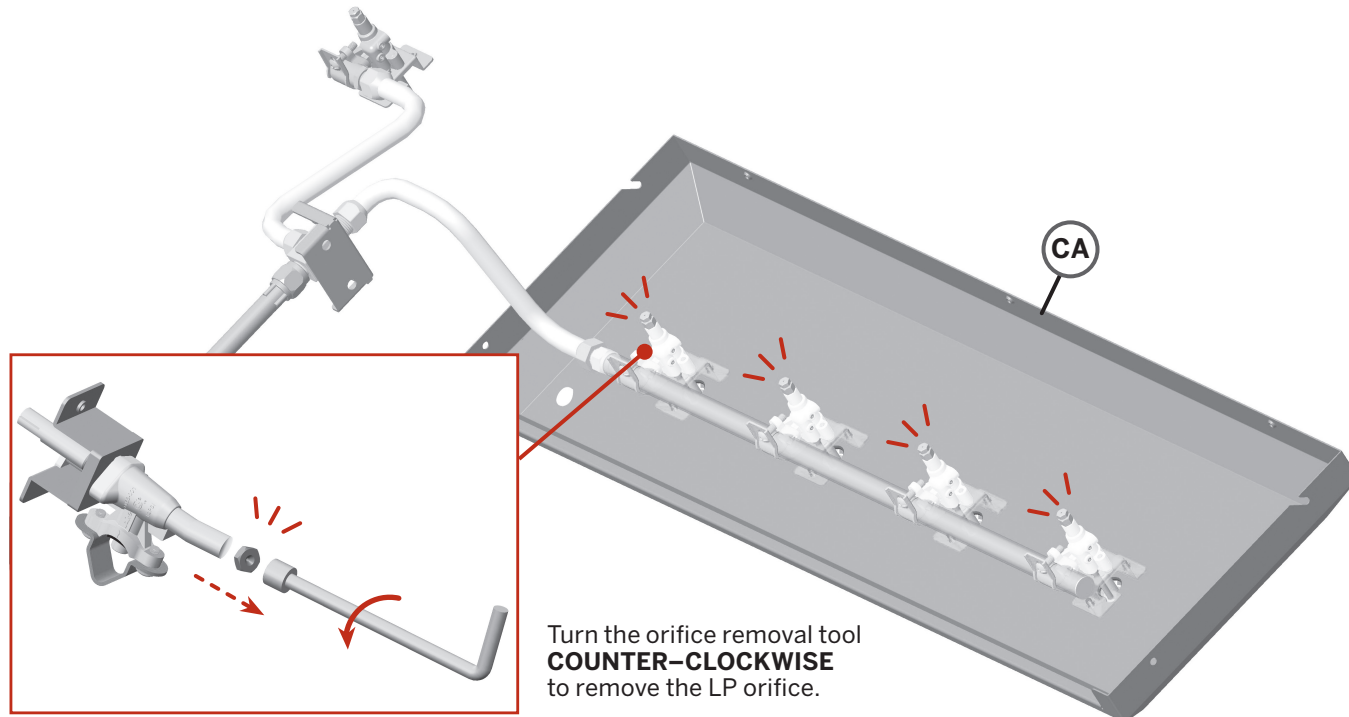
BUILD IT

STEP 6A

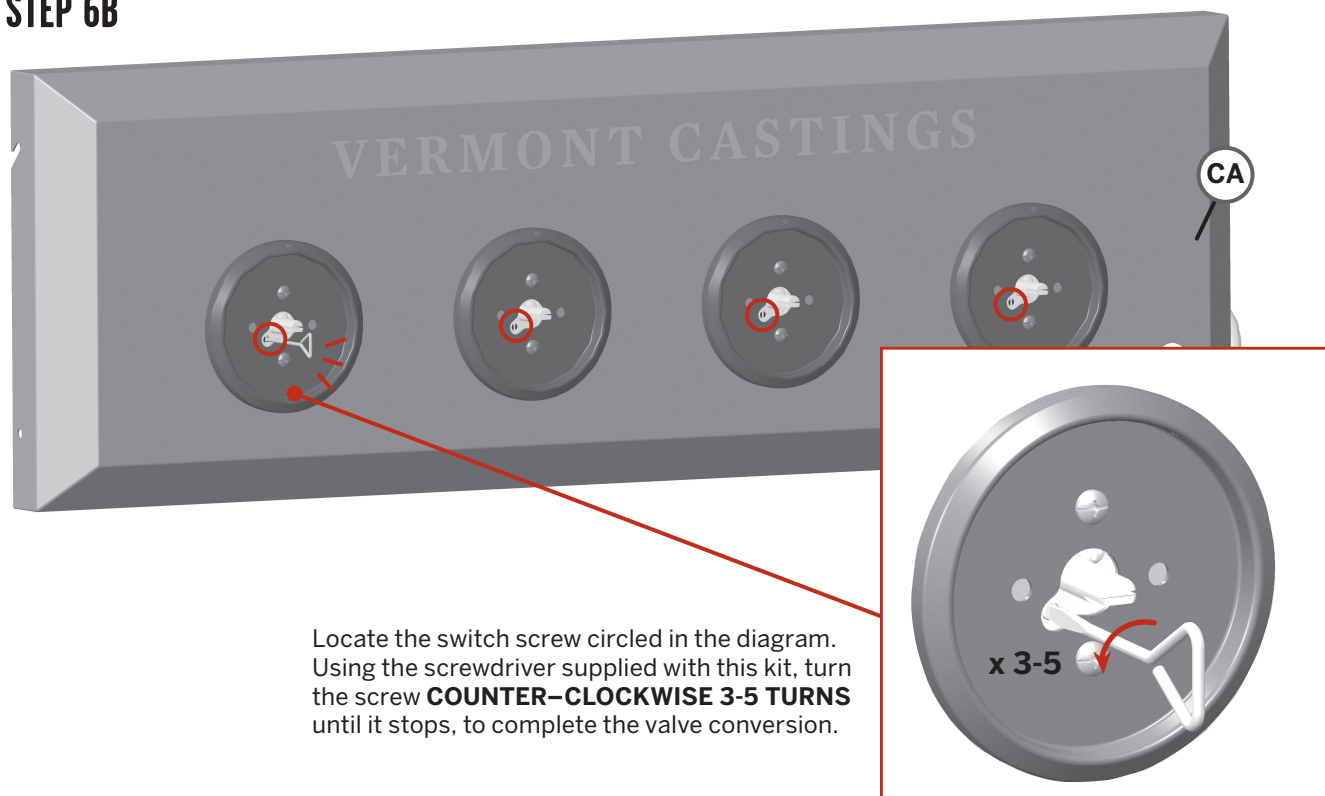


FOR NATURAL GAS CONVERSION CUSTOMERS ONLY

You will need a **Convertible Valve System Kit (Model 085-2261-4)** in this step. See **Steps 3 and 4B** in manual included with this kit. Once complete proceed to the next step.



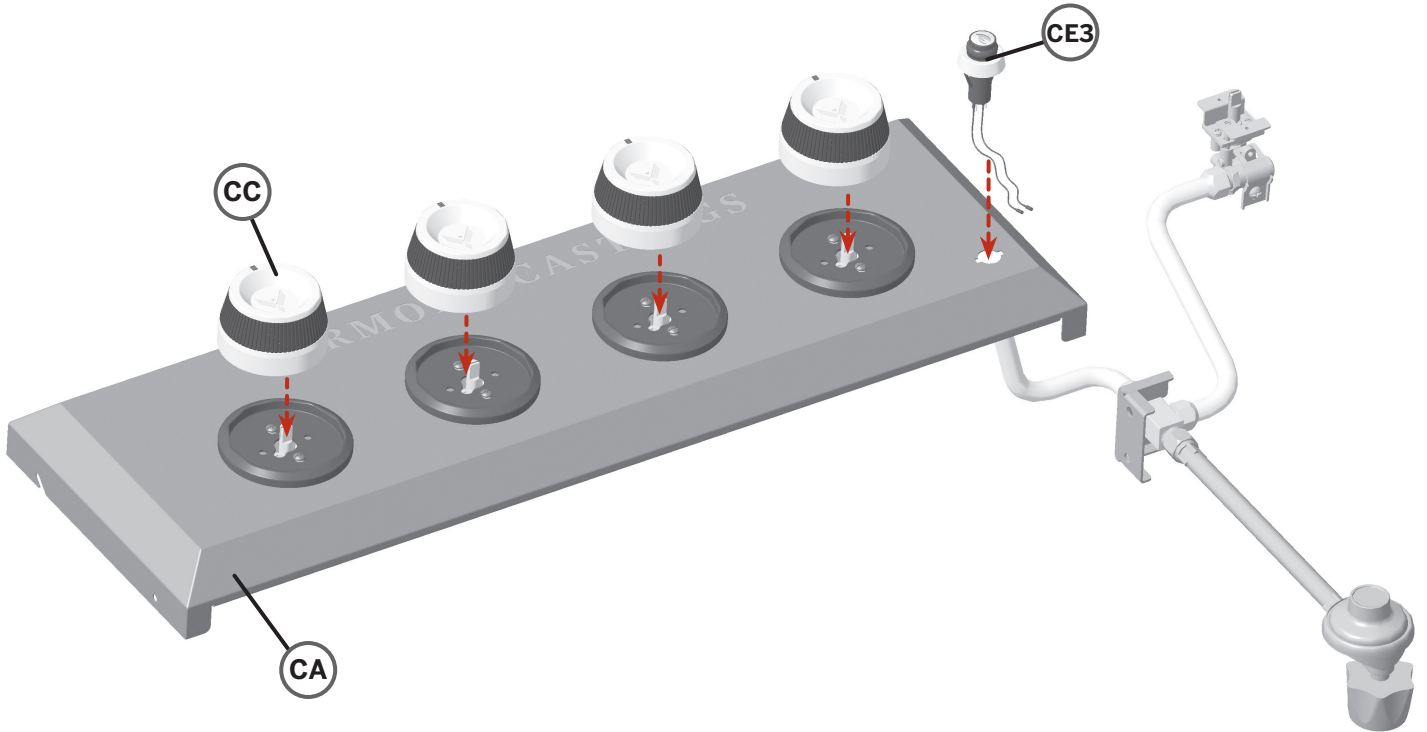
STEP 6B



BUILD IT

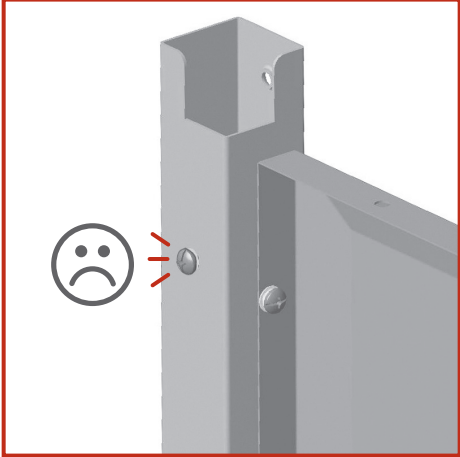
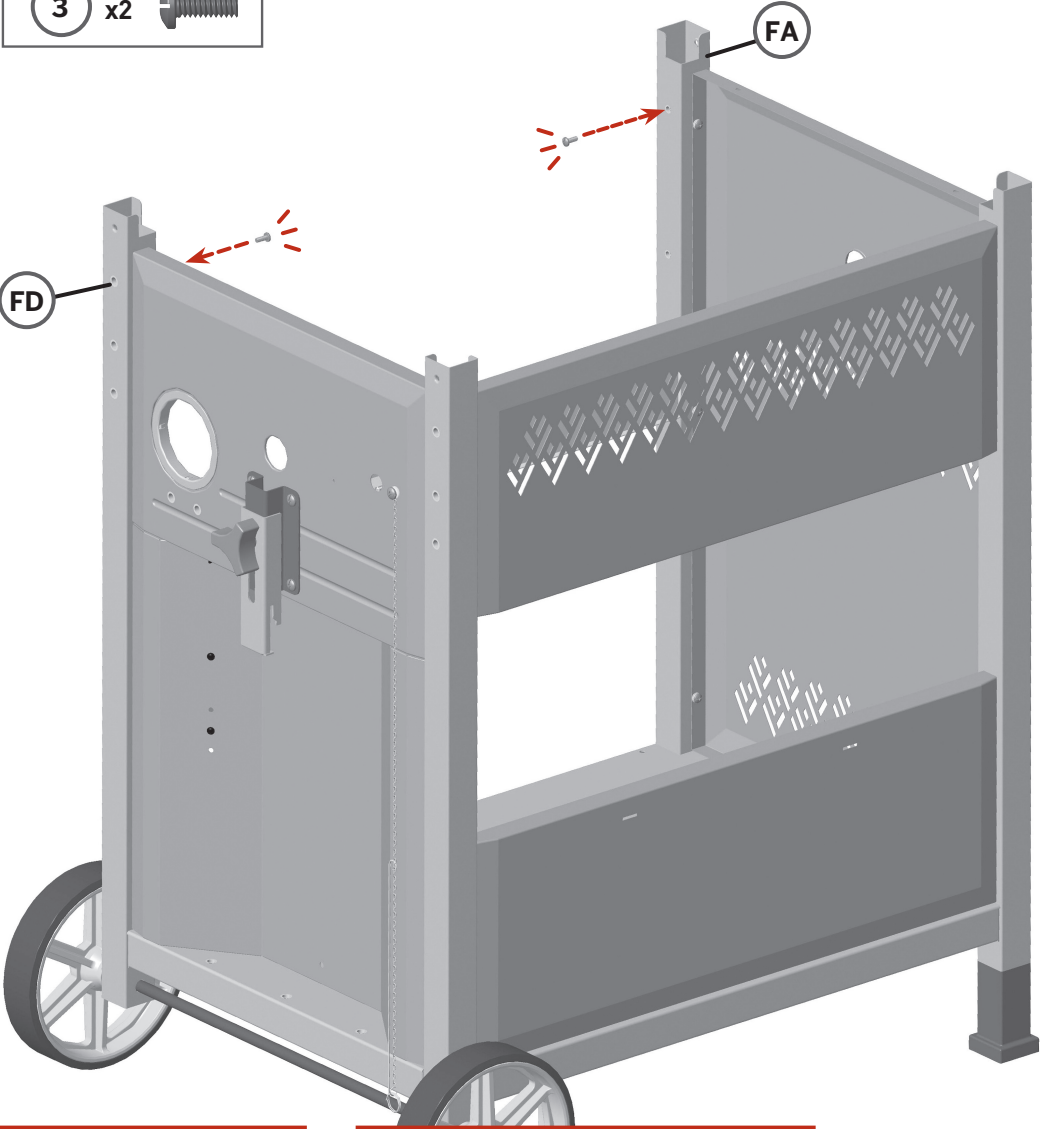
STEP 6C

BUILD IT



BUILD IT

STEP 6D

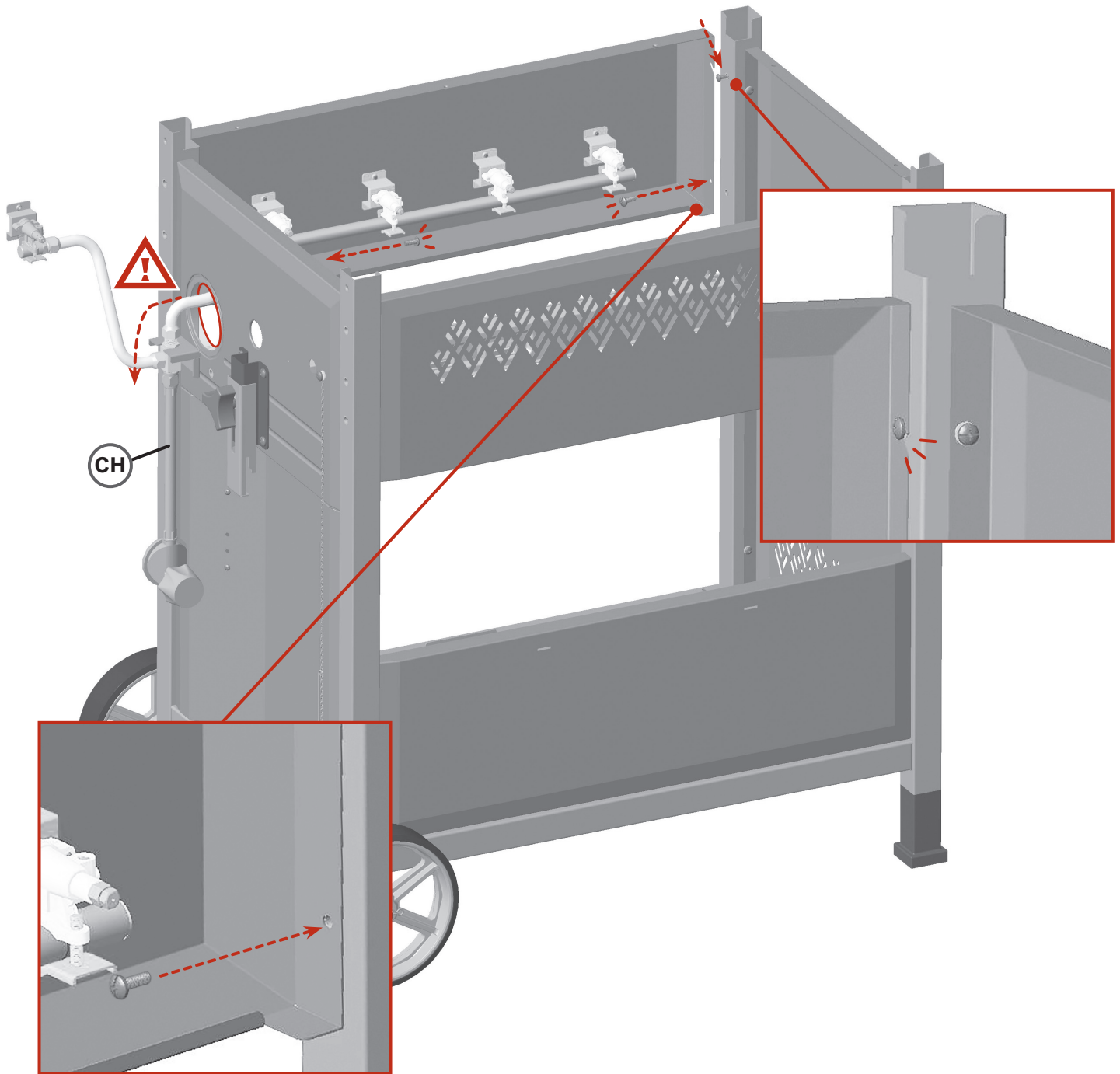


BUILD IT

STEP 6E

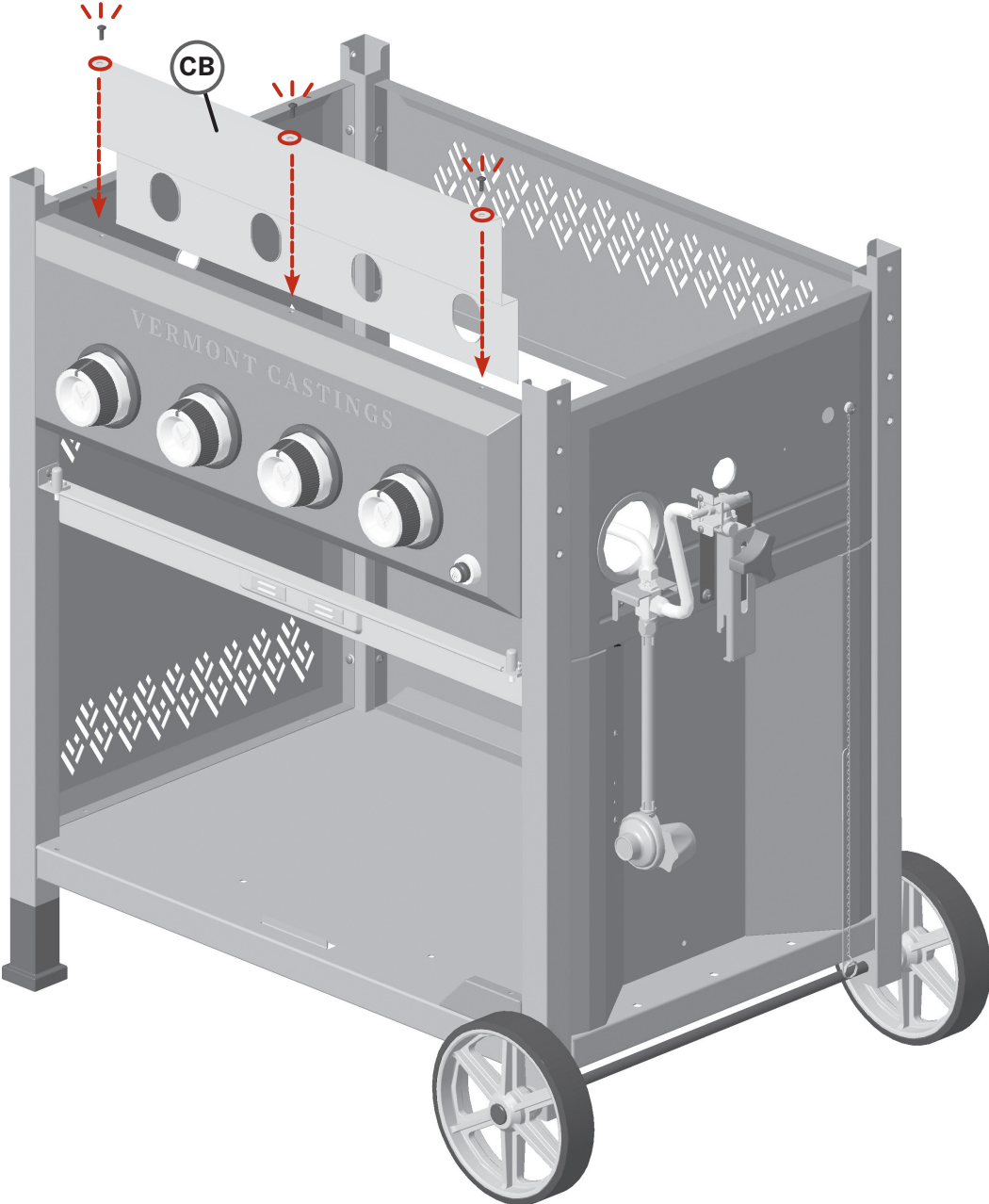


BUILD IT



BUILD IT

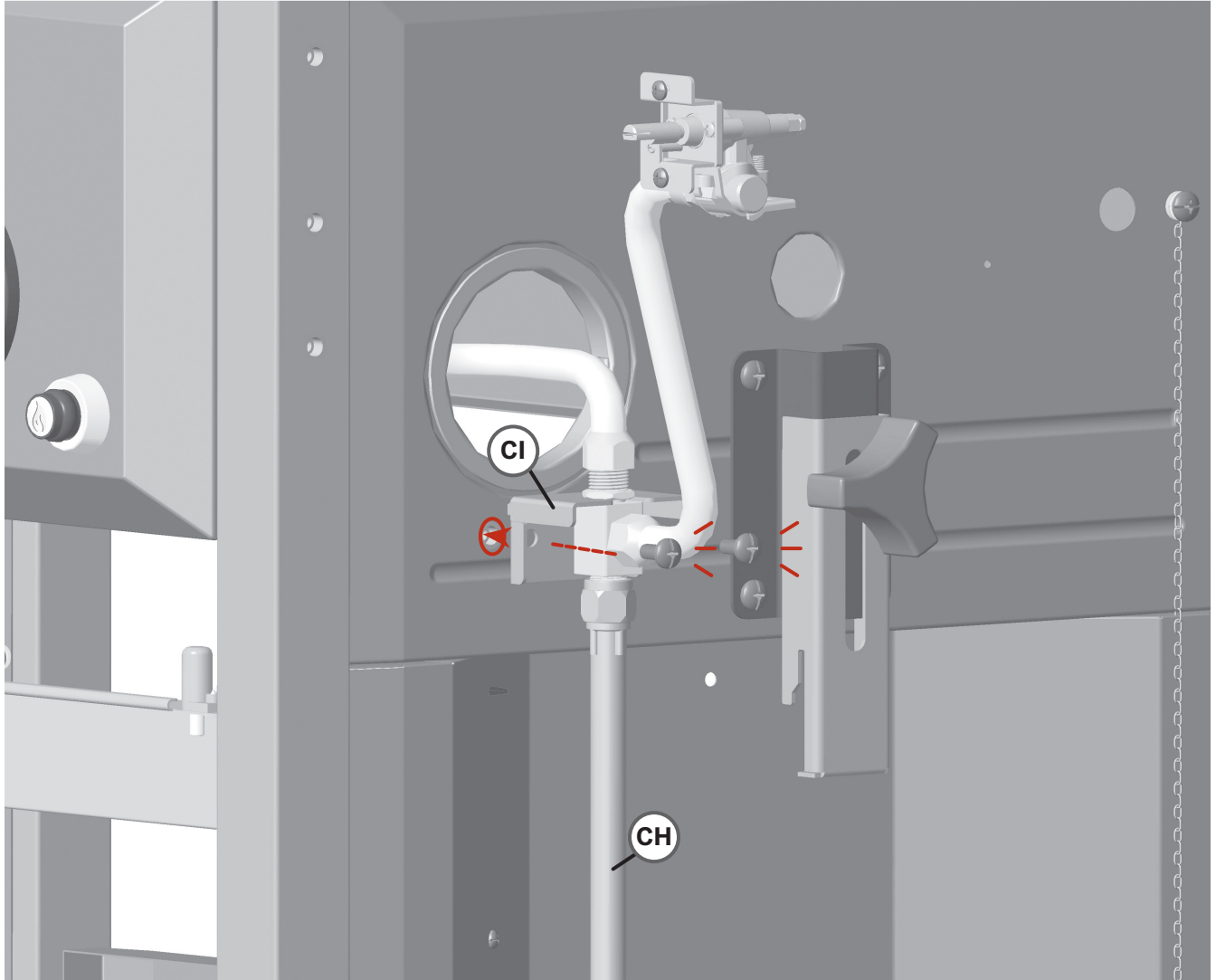
STEP 6F



BUILD IT

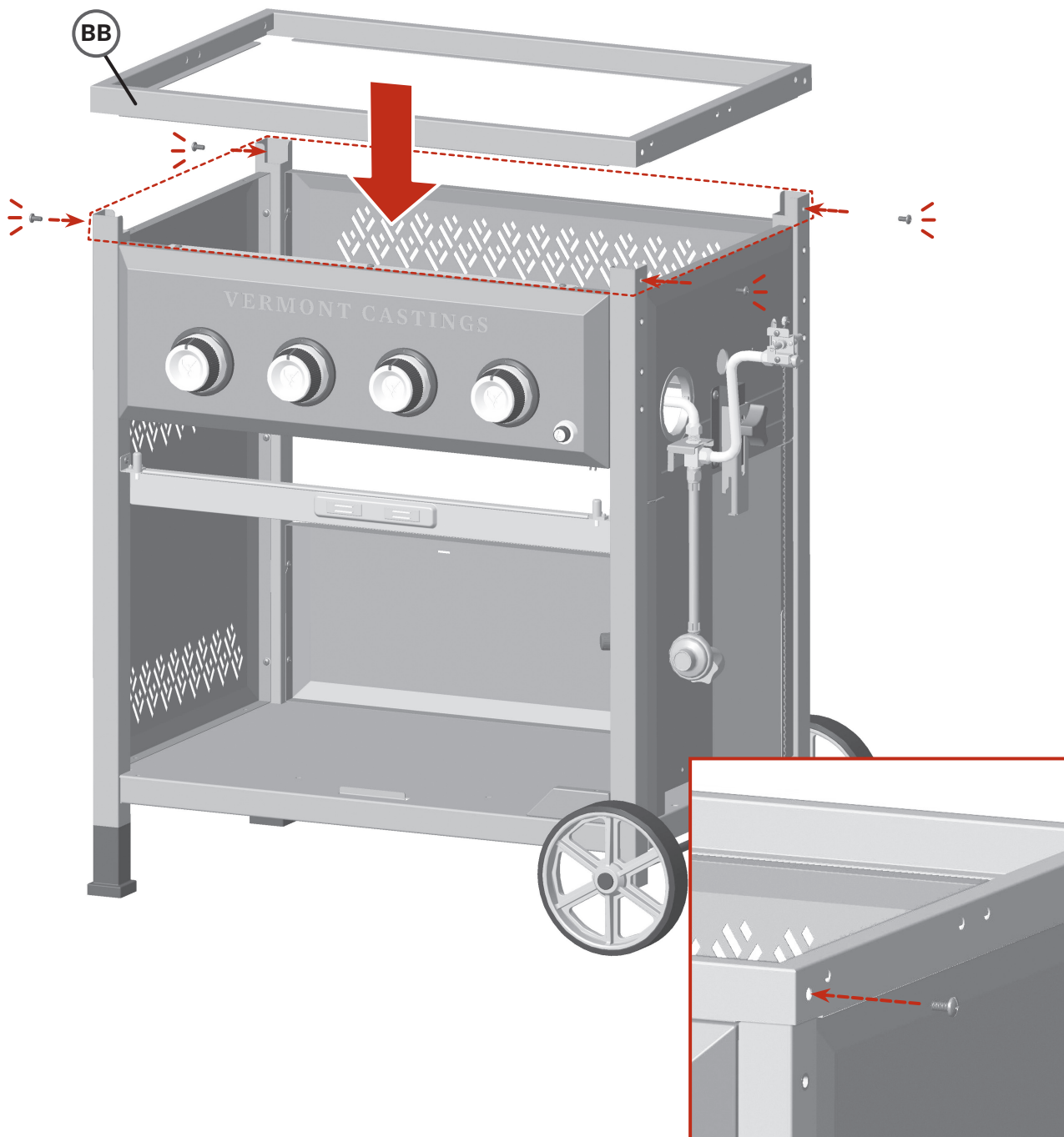
BUILD IT

STEP 7



BUILD IT

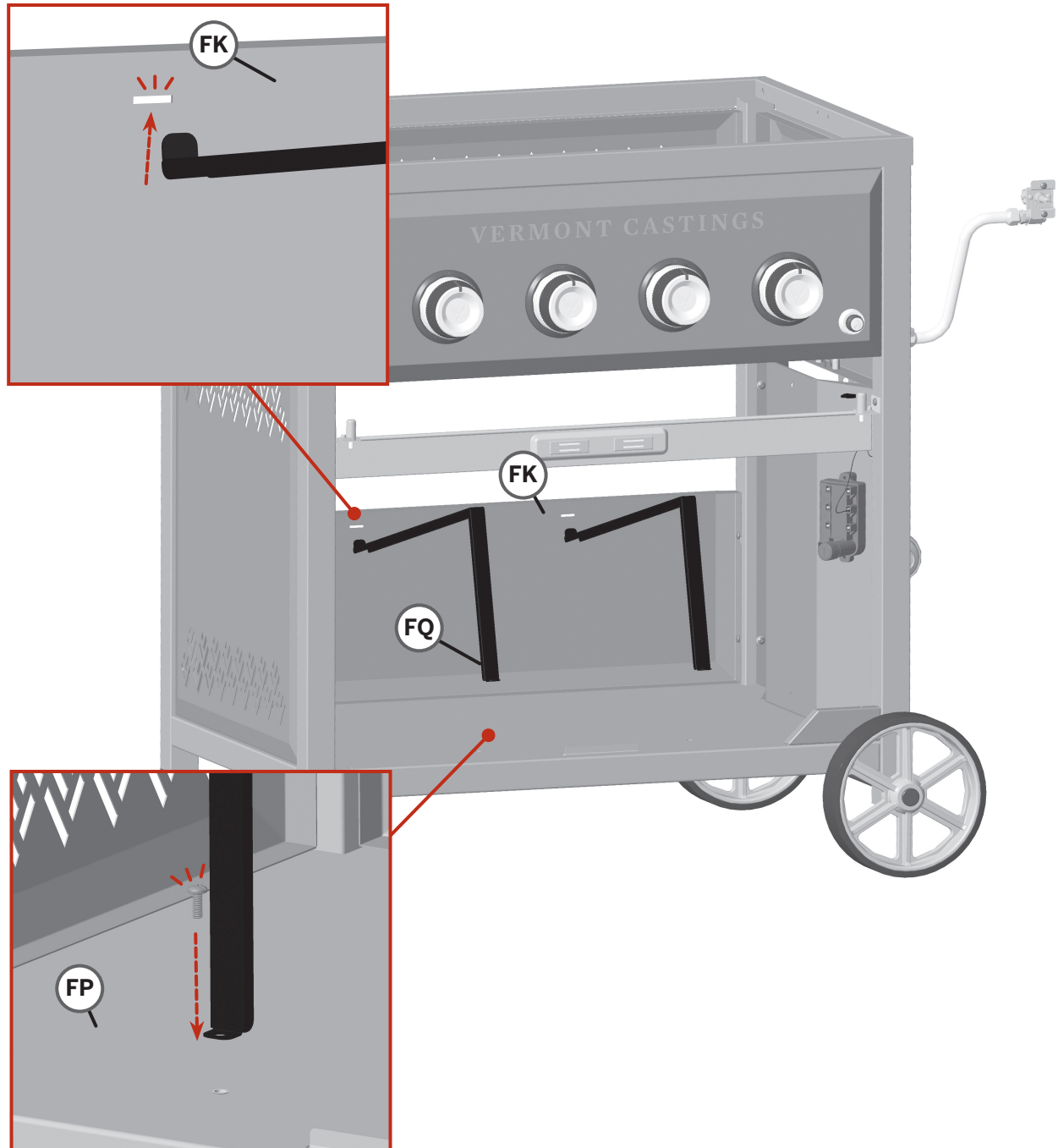
STEP 8



BUILD IT

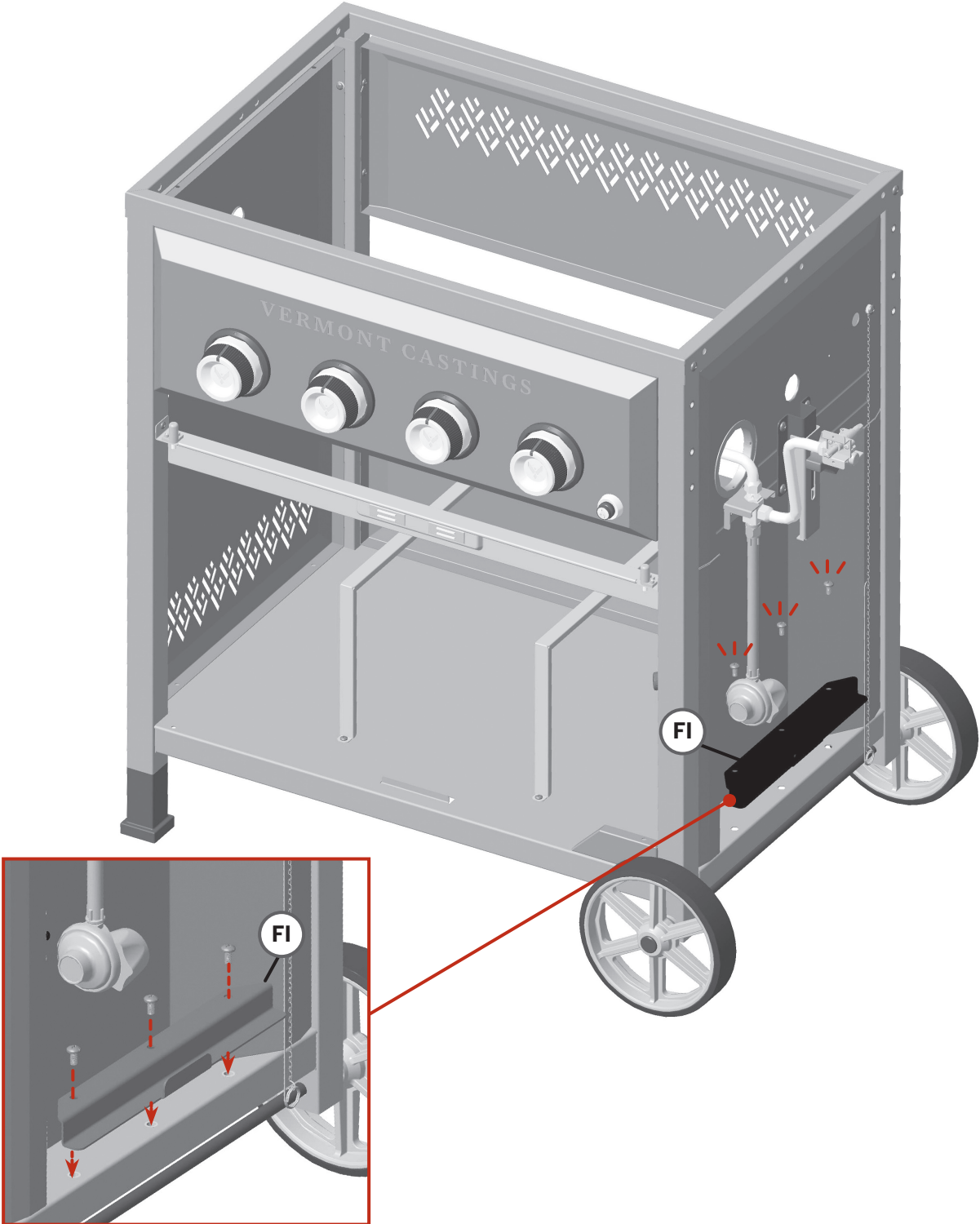
BUILD IT

STEP 9



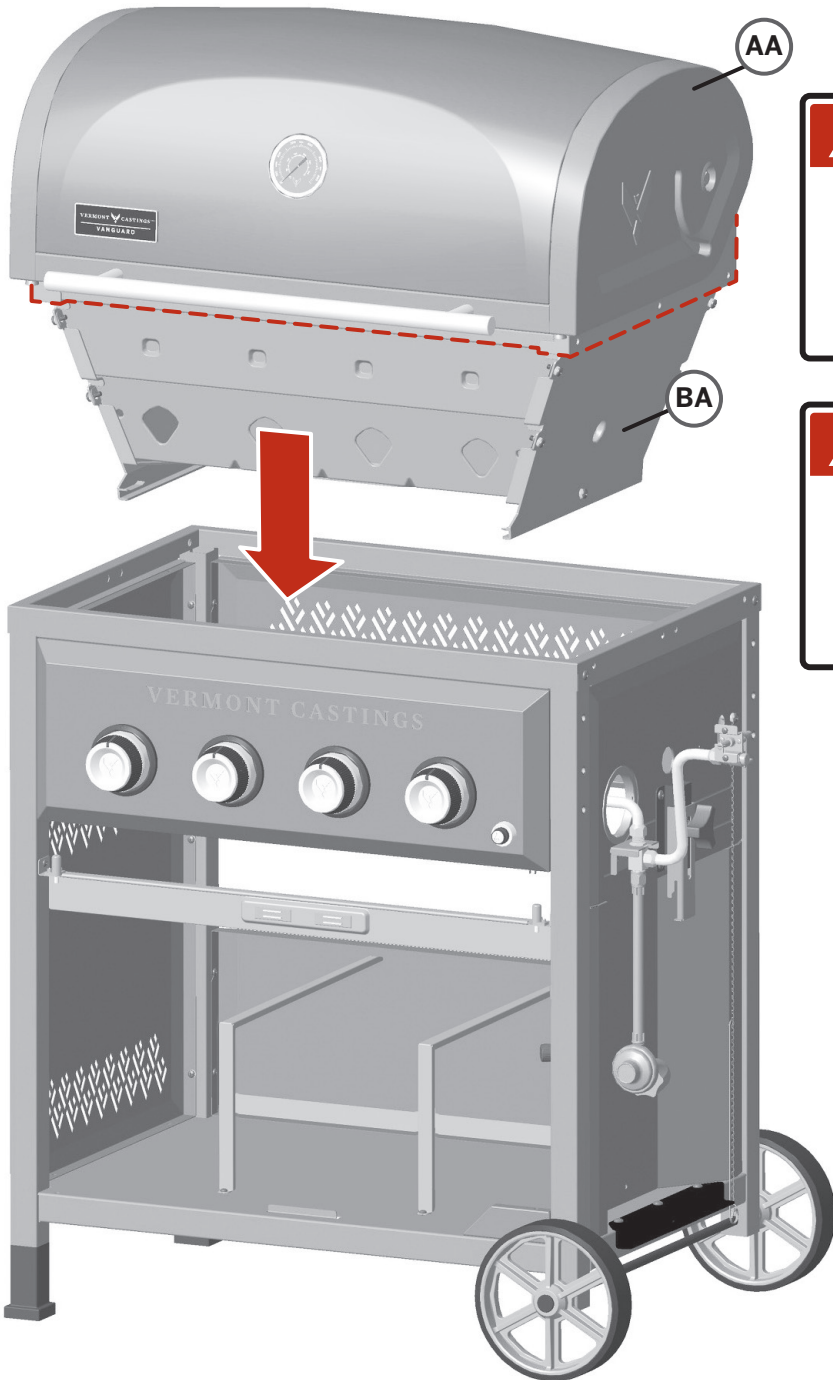
BUILD IT

STEP 10



BUILD IT

STEP 11



SAFETY FIRST



WATCH YOUR HANDS AND FINGERS

DANGER

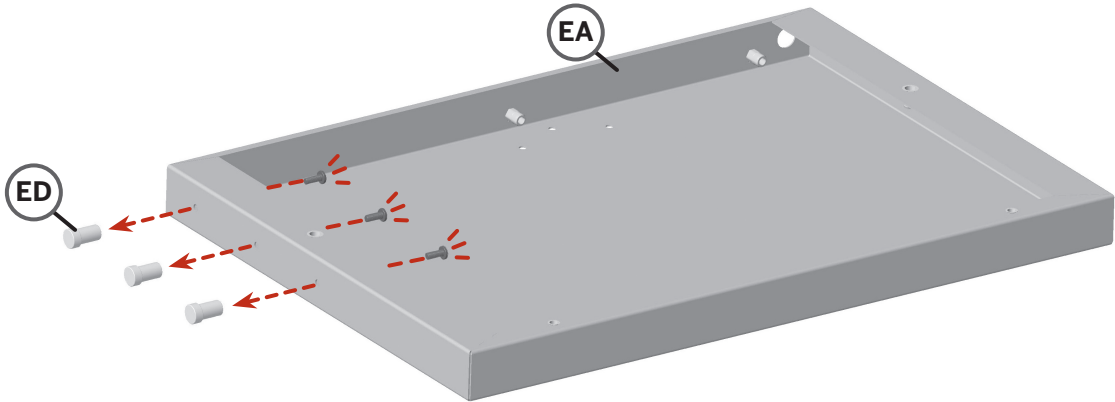


27 KG
60 LBS

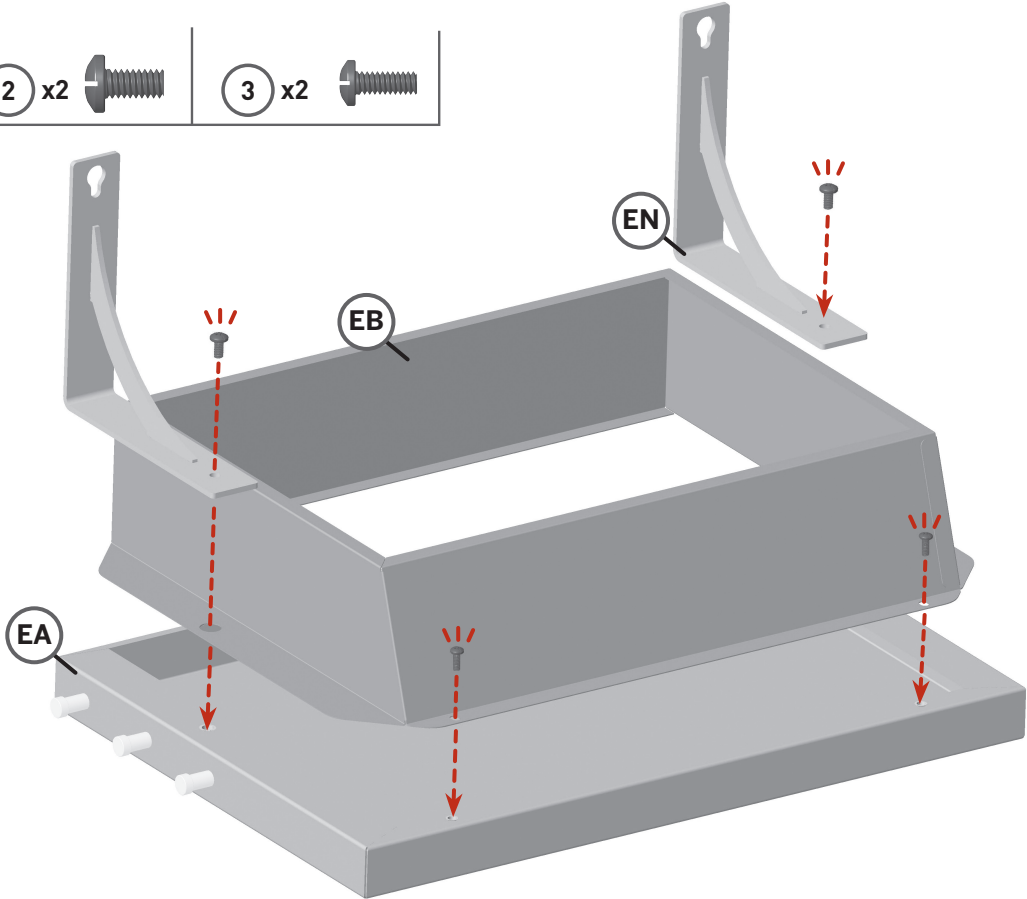
HEAVY.
LIFT WITH CARE

BUILD IT

STEP 12A



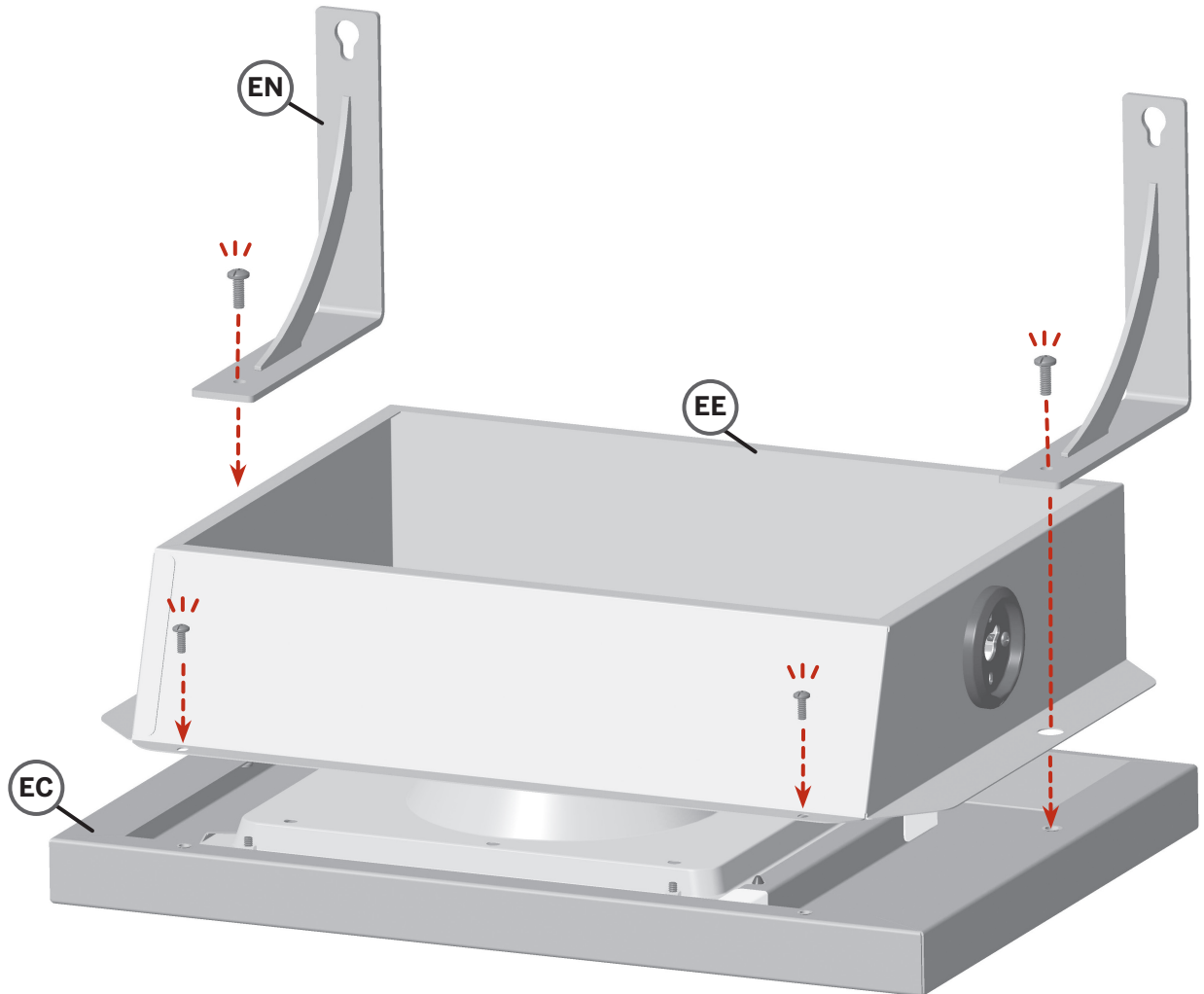
STEP 12B



BUILD IT

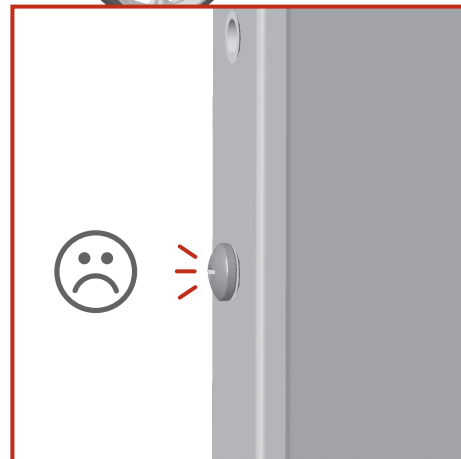
BUILD IT

STEP 12C



BUILD IT

STEP 13A

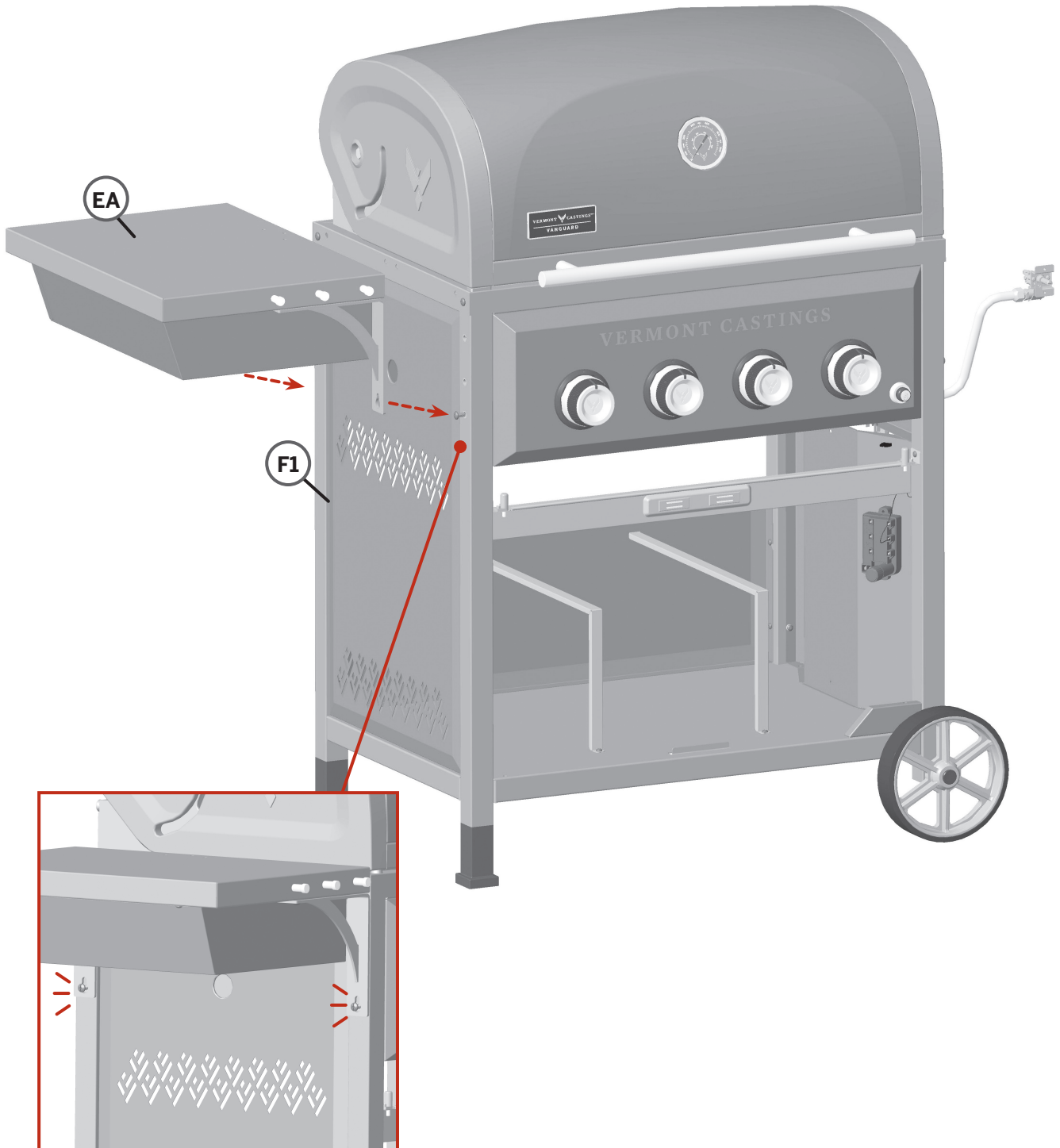


BUILD IT

BUILD IT

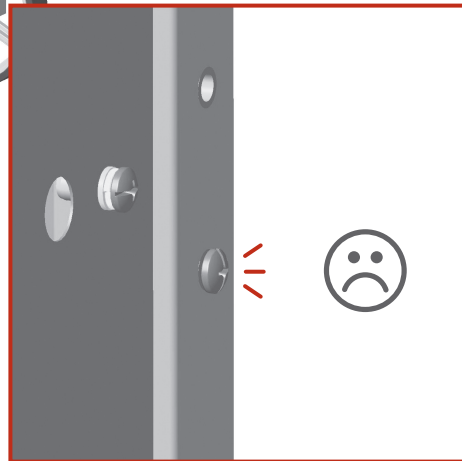
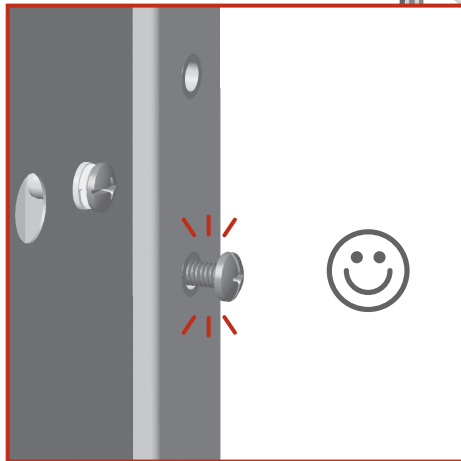
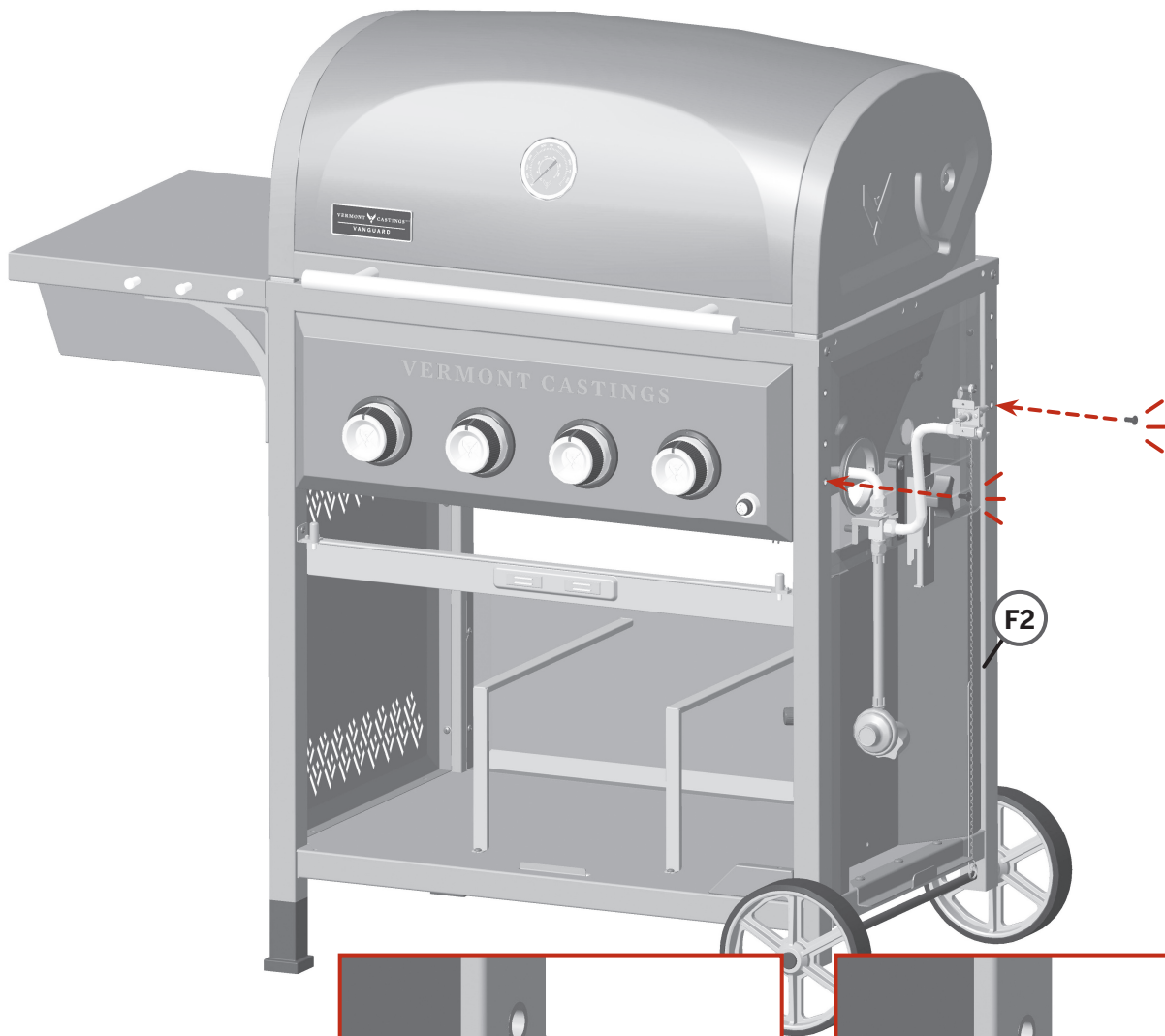
STEP 13B

BUILD IT



BUILD IT

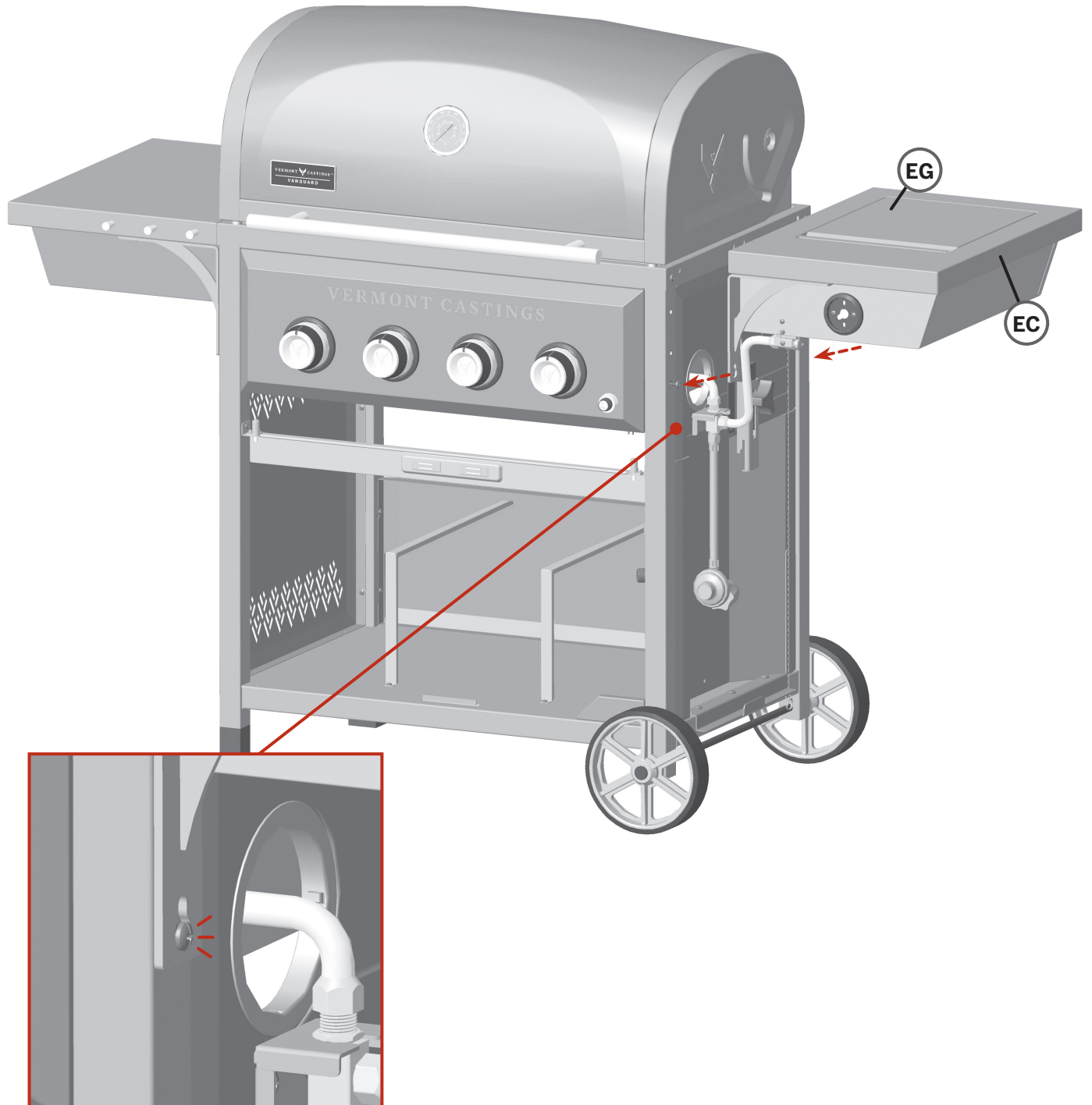
STEP 13C



BUILD IT

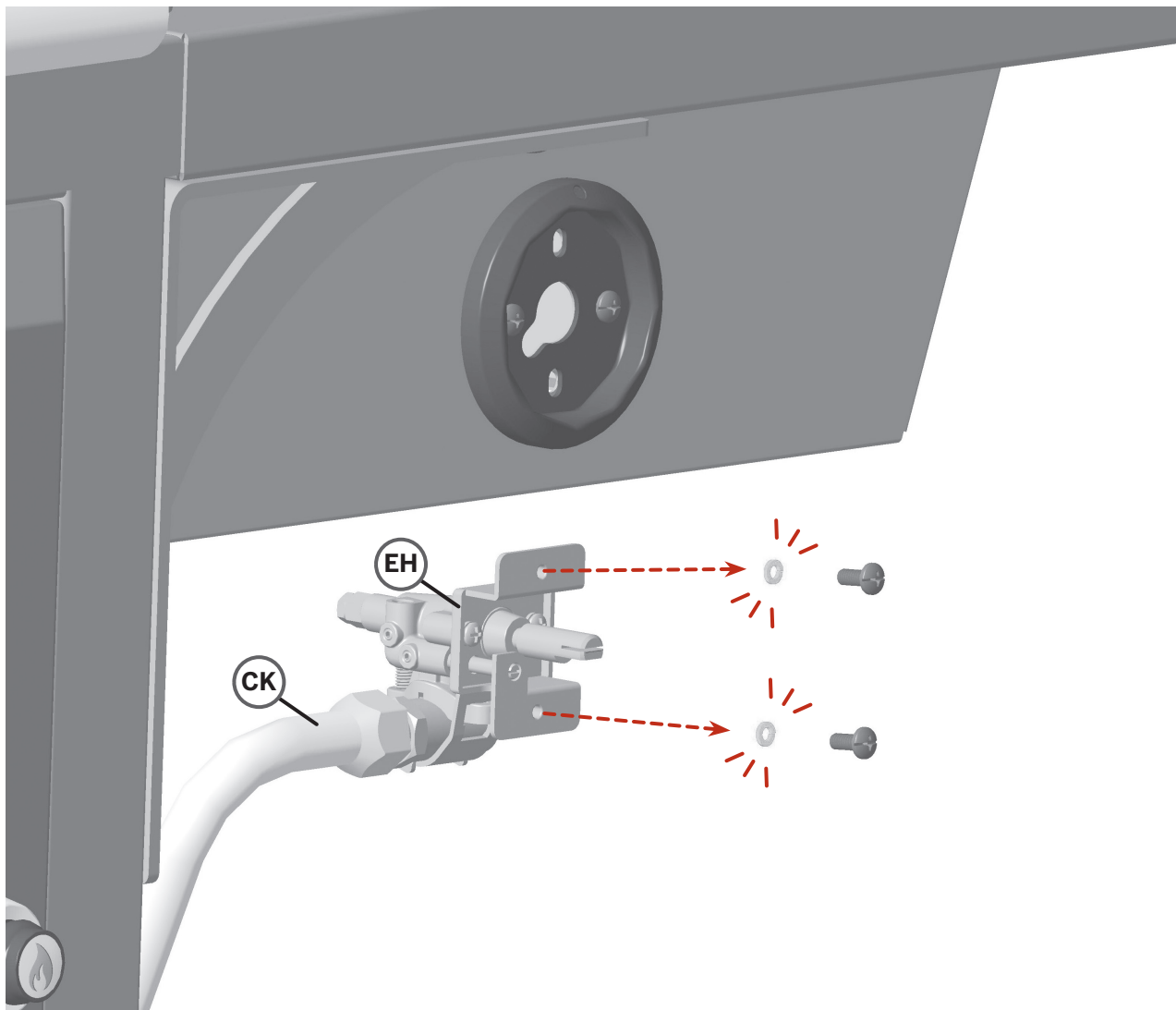
BUILD IT

STEP 13D



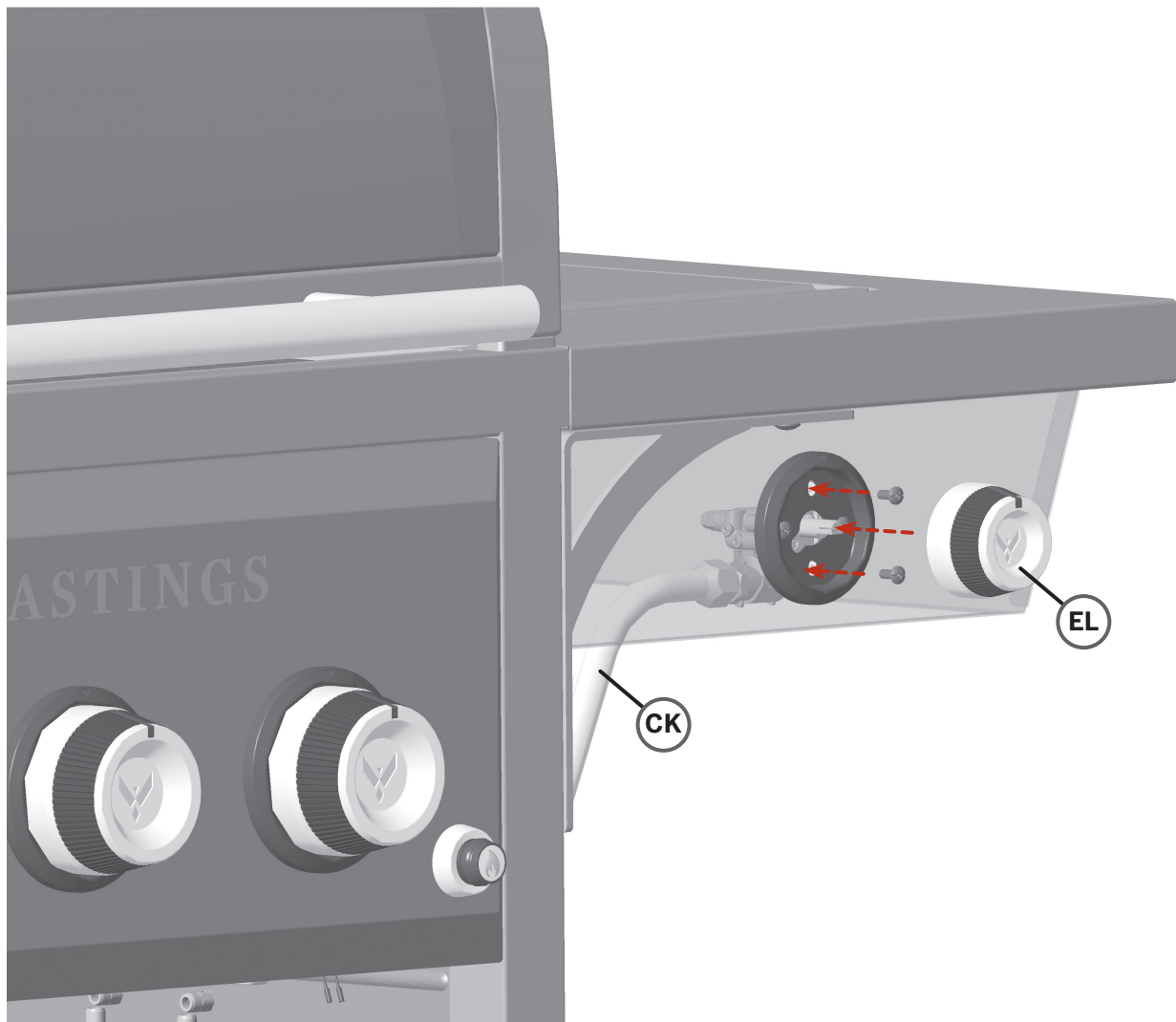
BUILD IT

STEP 13E Remove hardware from the valve.



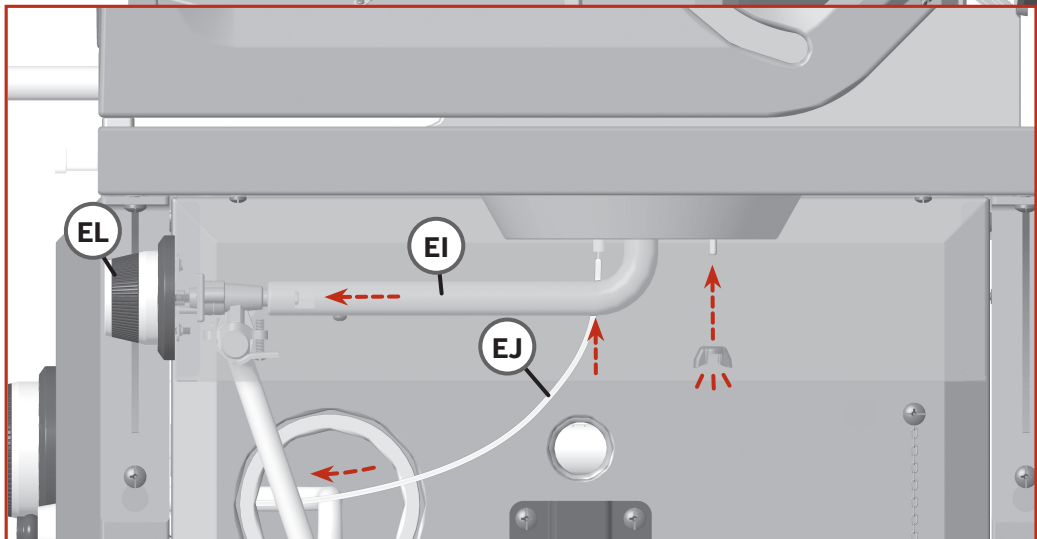
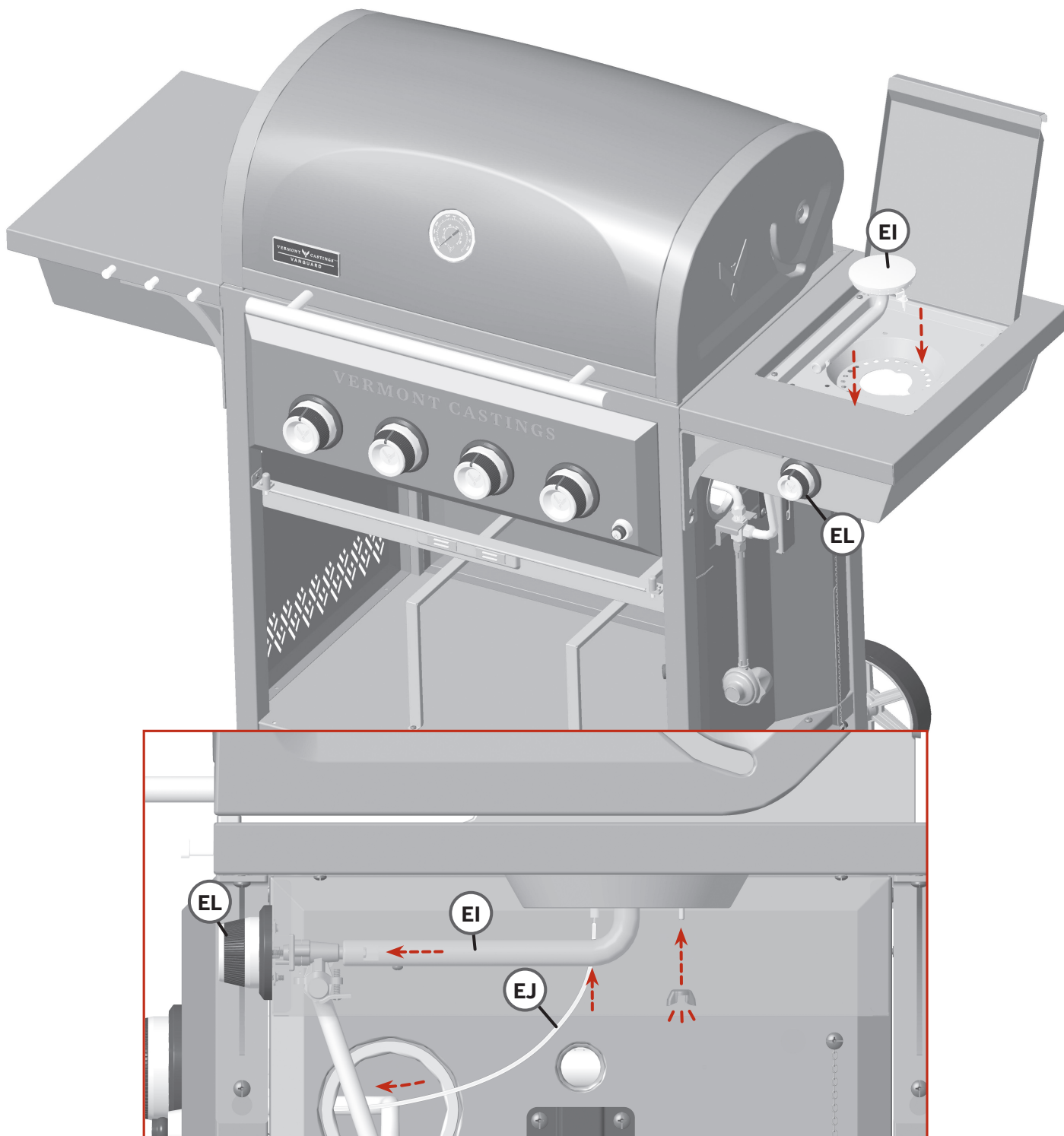
BUILD IT

STEP 13F



BUILD IT

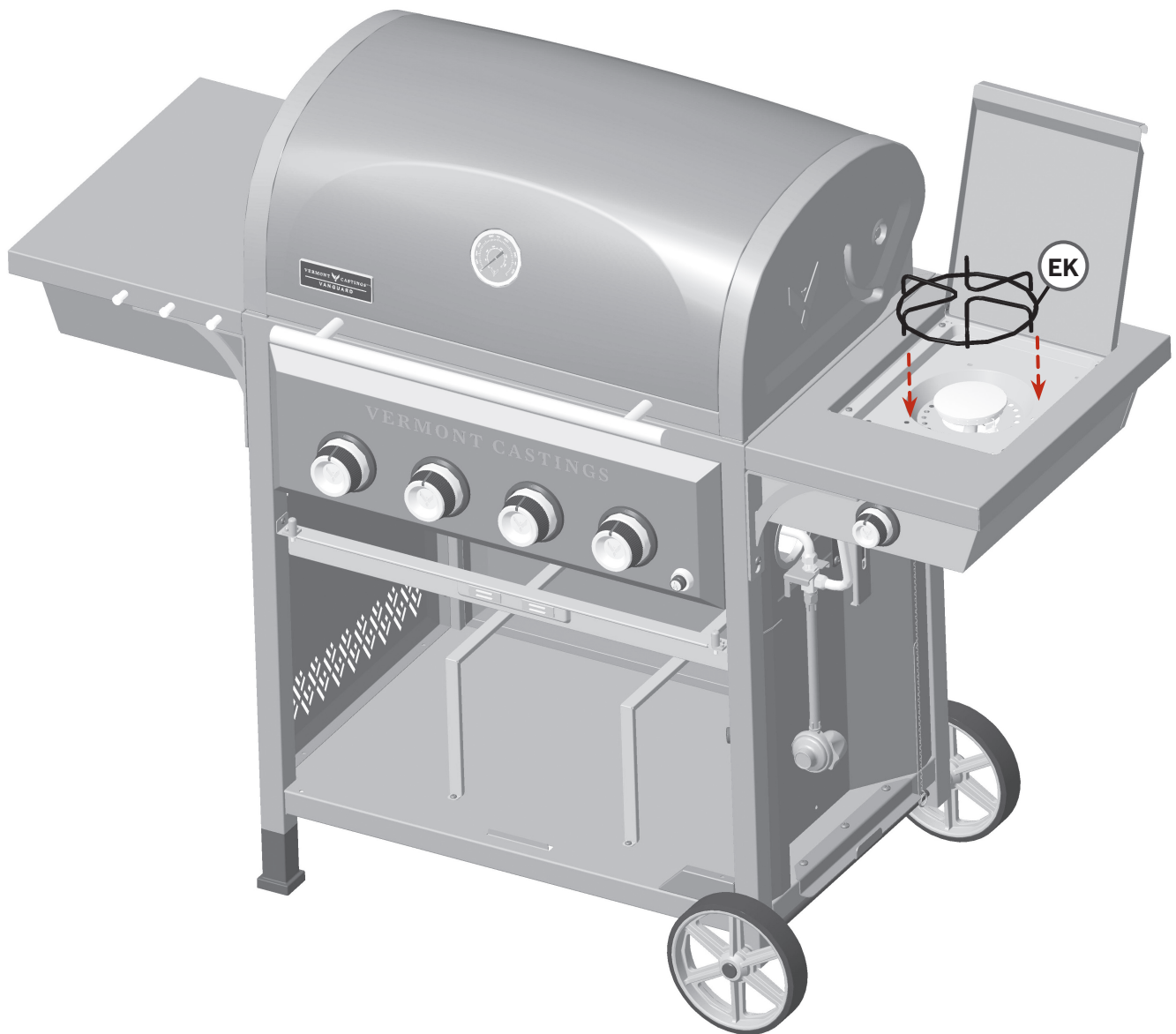
STEP 13G



BUILD IT

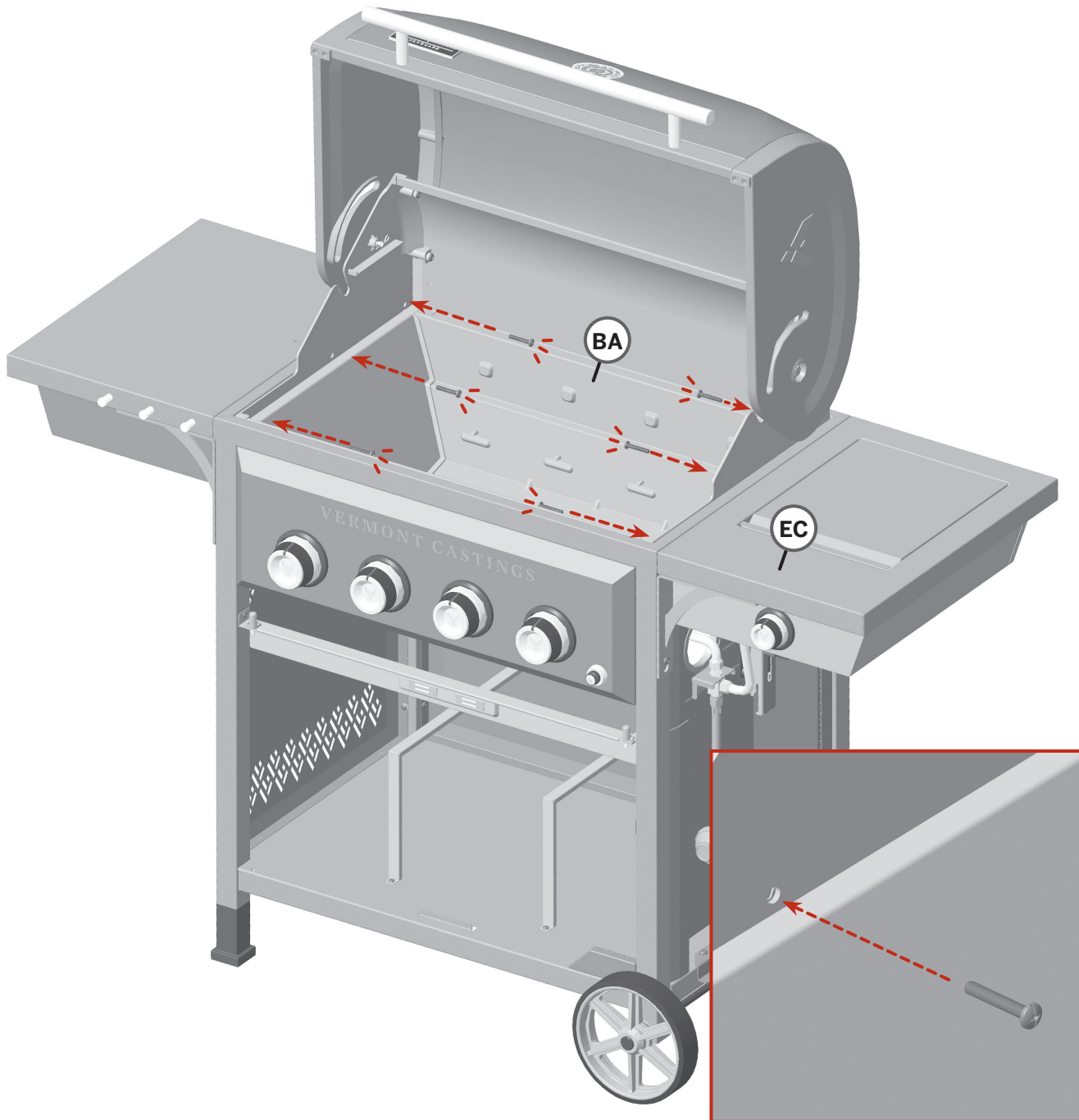
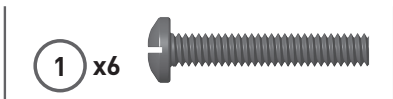
BUILD IT

STEP 13H



BUILD IT

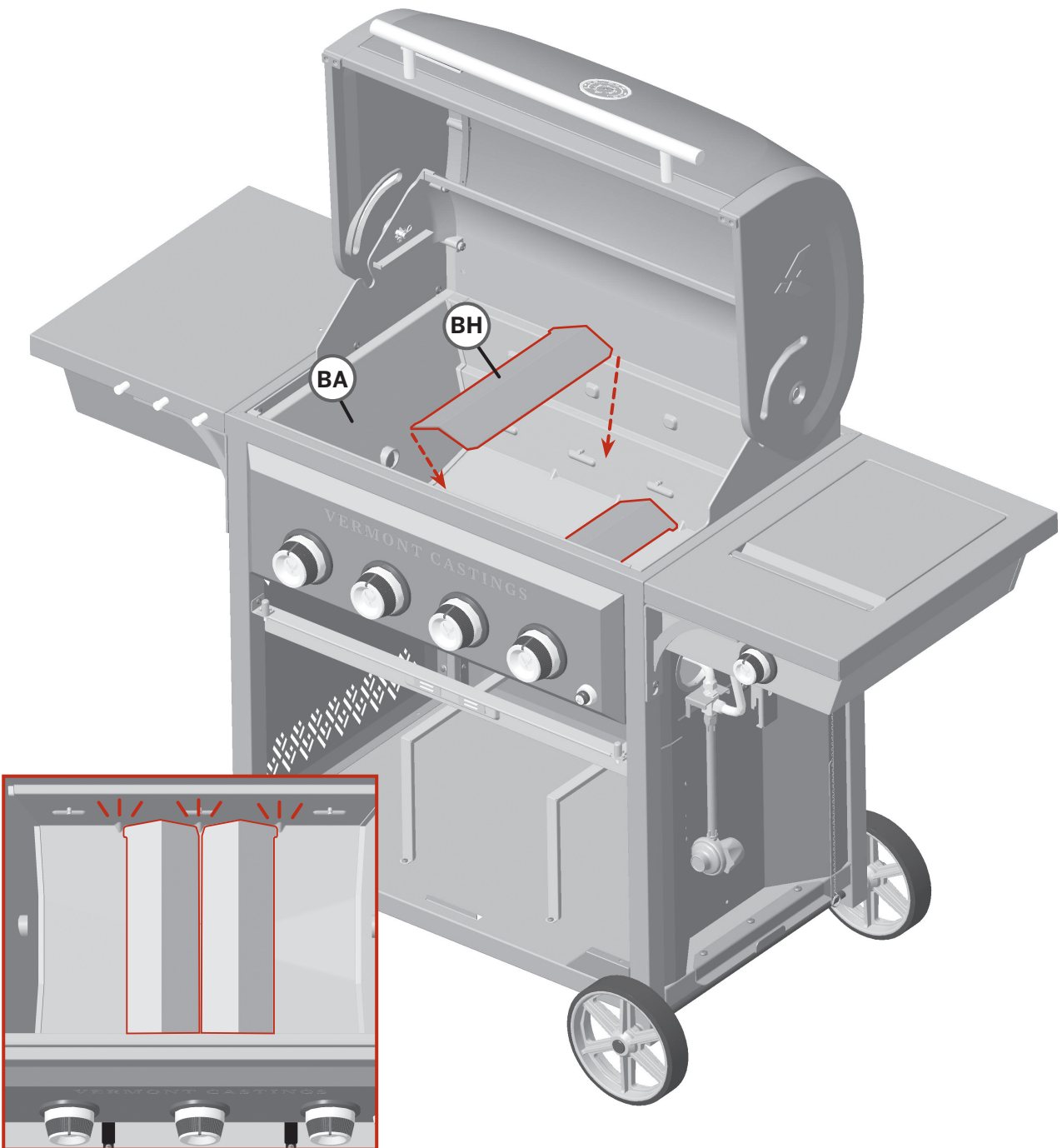
STEP 14



BUILD IT

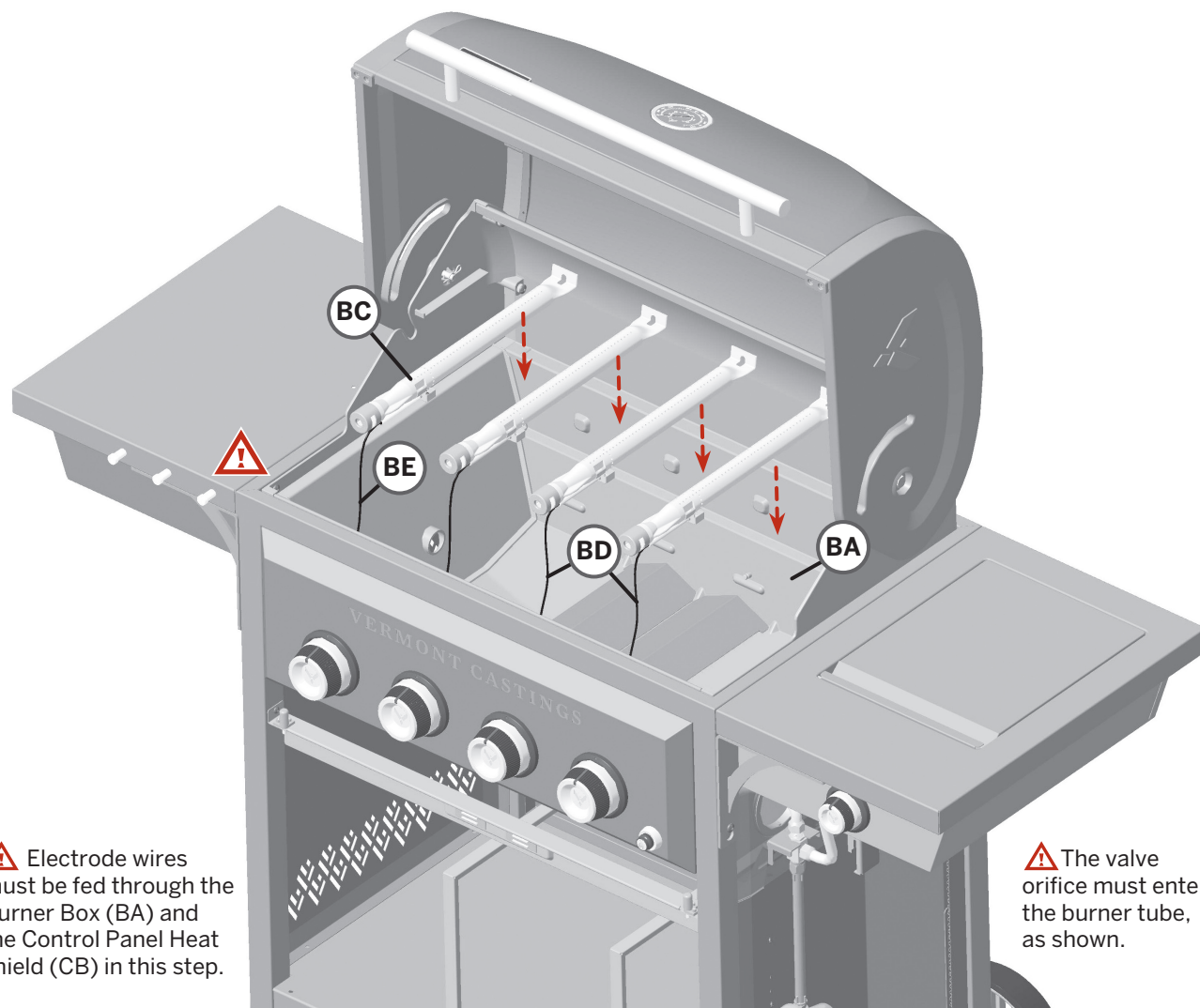
BUILD IT

STEP 15



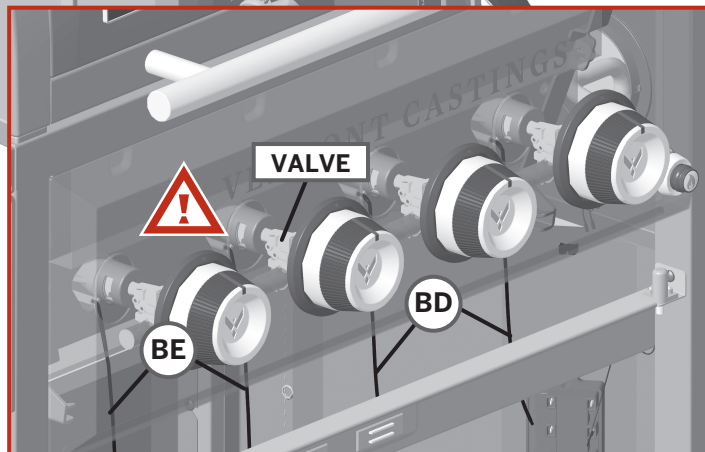
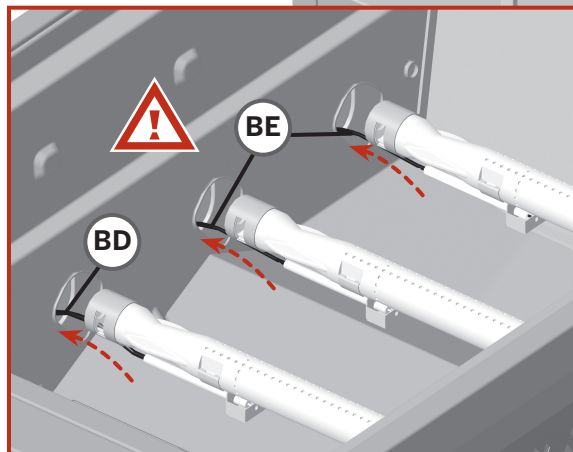
BUILD IT

STEP 16A



⚠ Electrode wires must be fed through the Burner Box (BA) and the Control Panel Heat shield (CB) in this step.

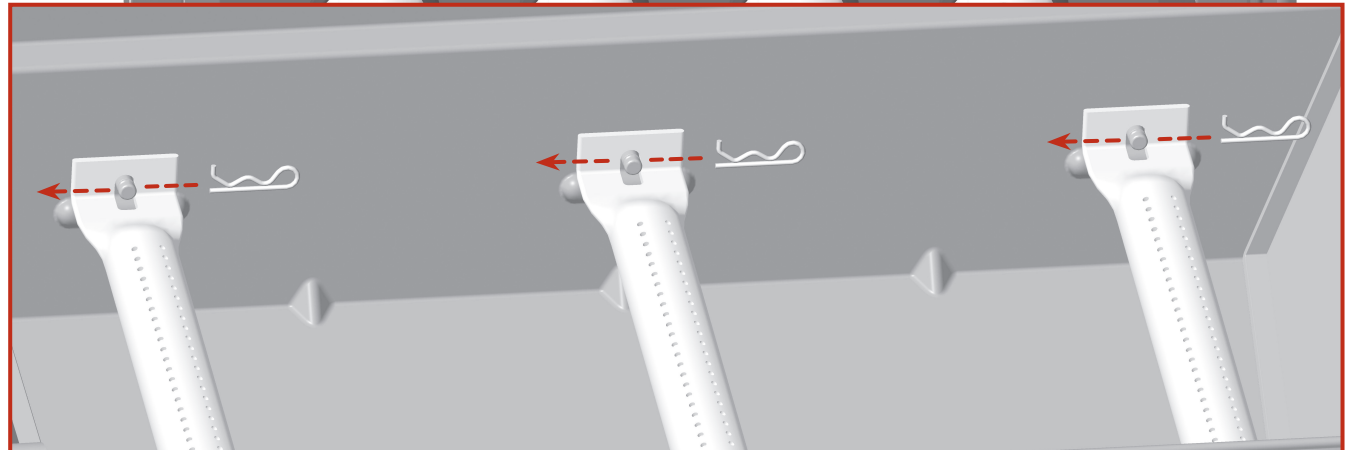
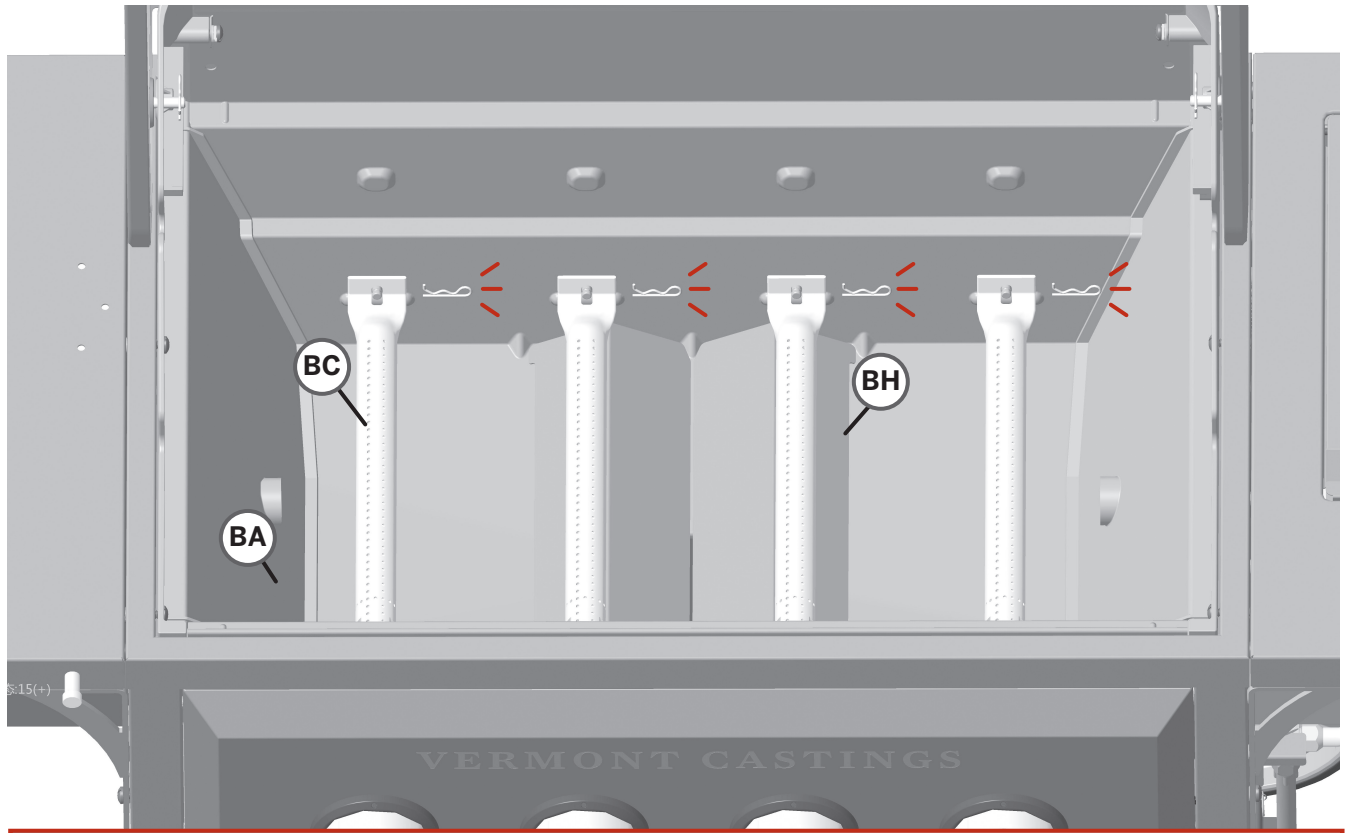
⚠ The valve orifice must enter the burner tube, as shown.



BUILD IT

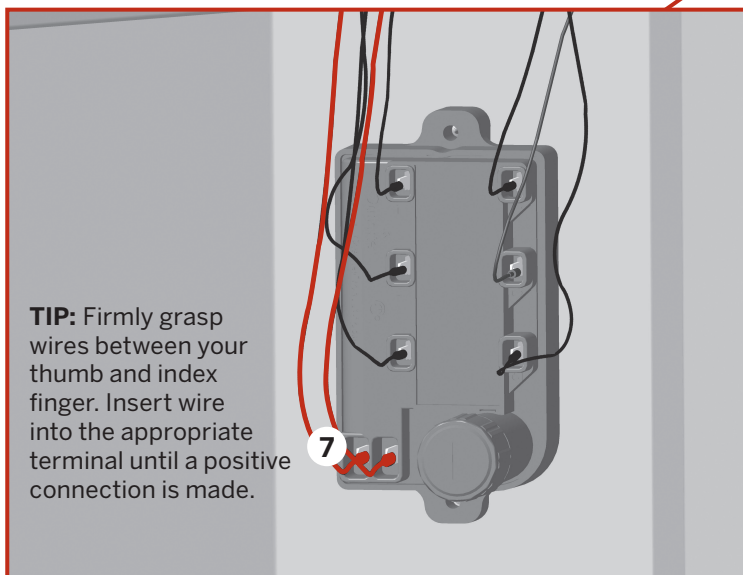
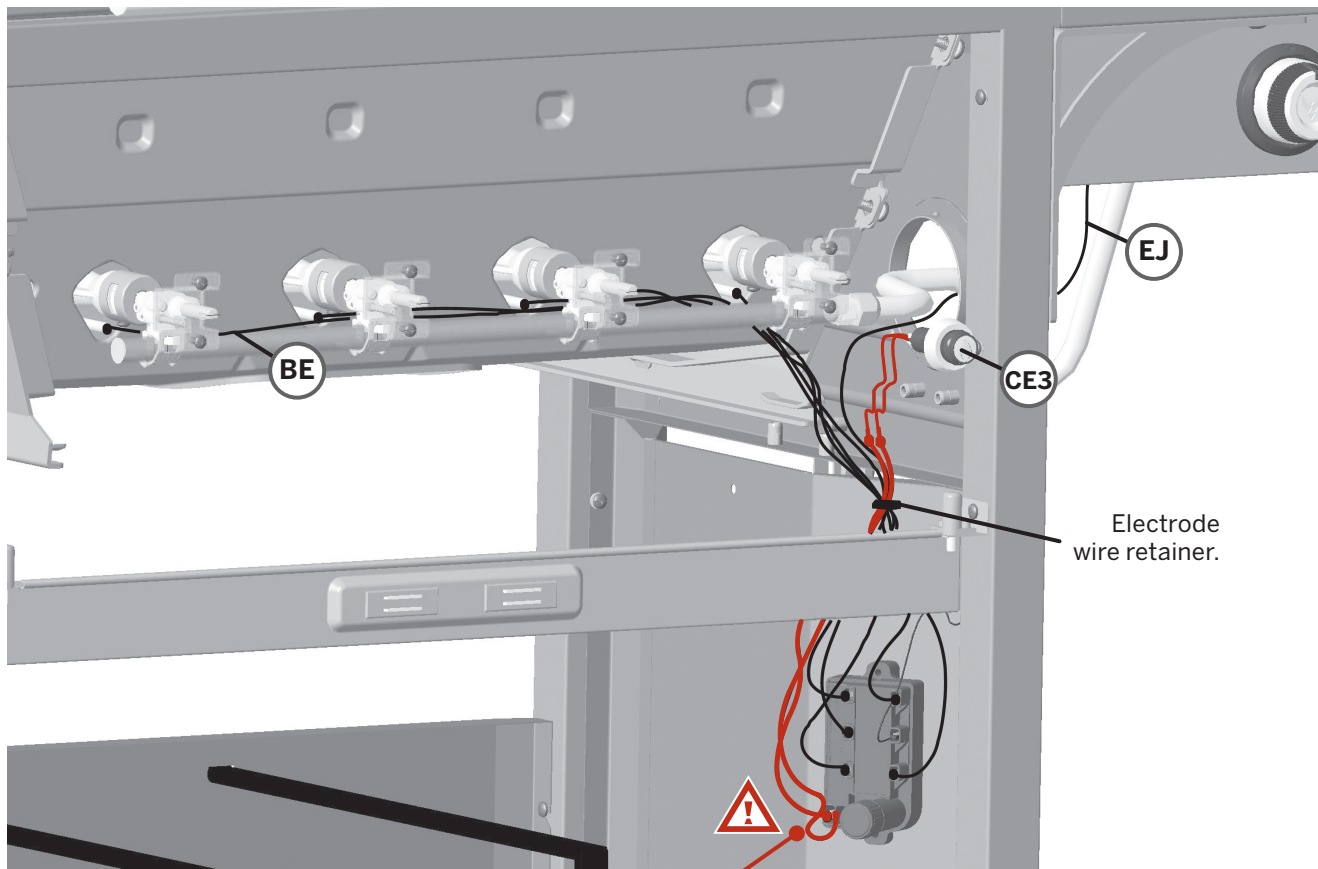
STEP 16B

8 x4



BUILD IT

STEP 16C



TIP: Firmly grasp wires between your thumb and index finger. Insert wire into the appropriate terminal until a positive connection is made.

PORT 1-6 are interchangeable.

1,2,3, 4,5,6 Main Electrodes, Ground Wire, Side Burner Electrodes

7 Ignition switch

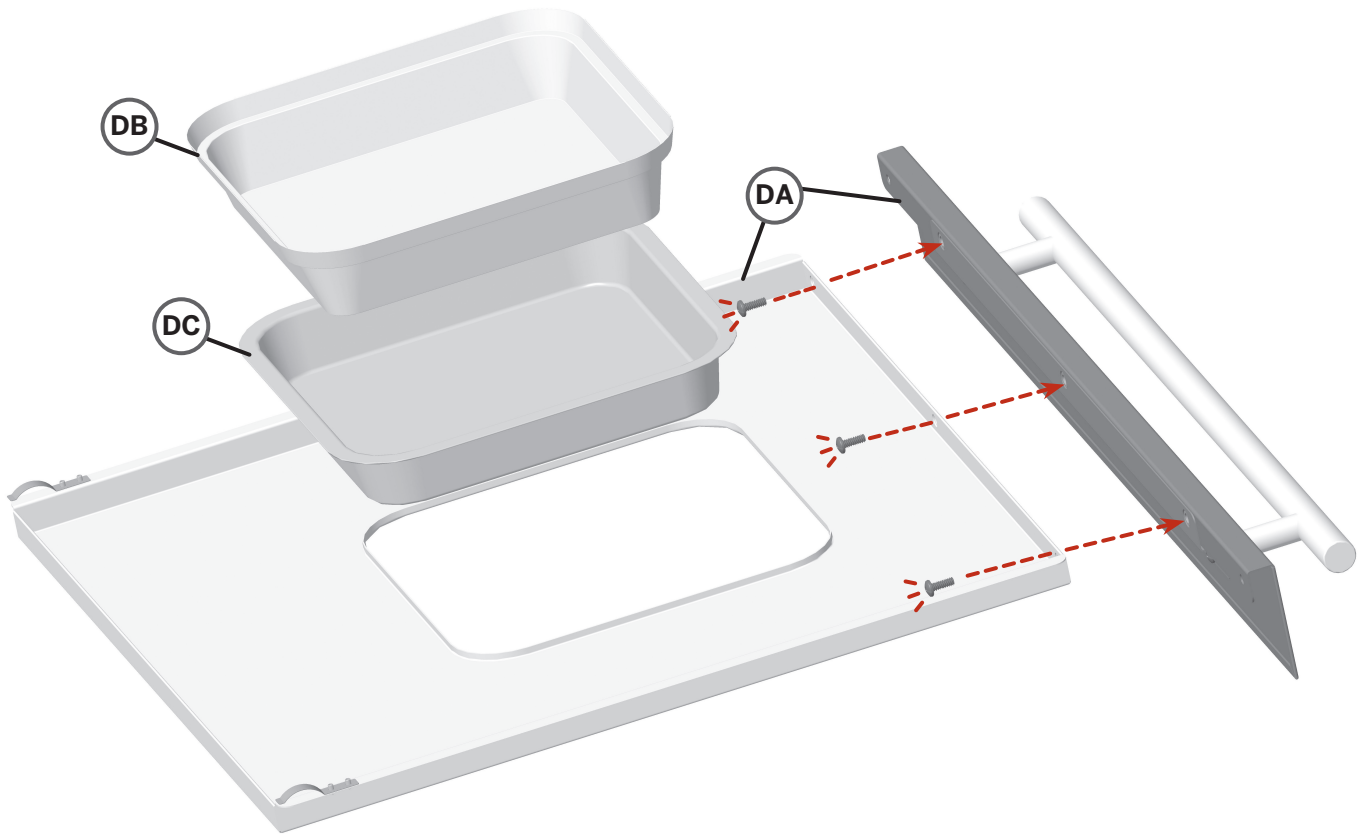
BUILD IT

BUILD IT

STEP 17A

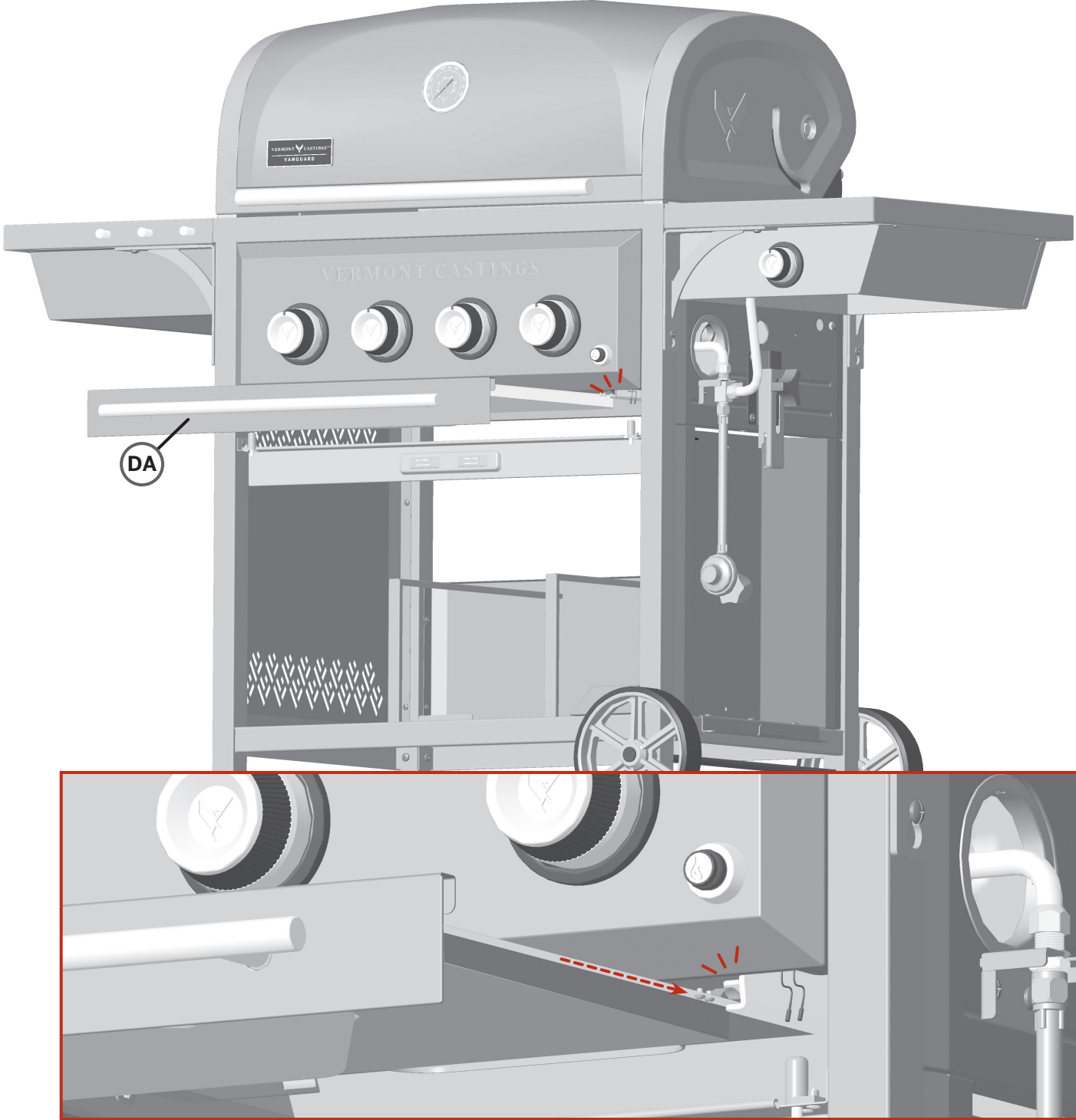


BUILD IT



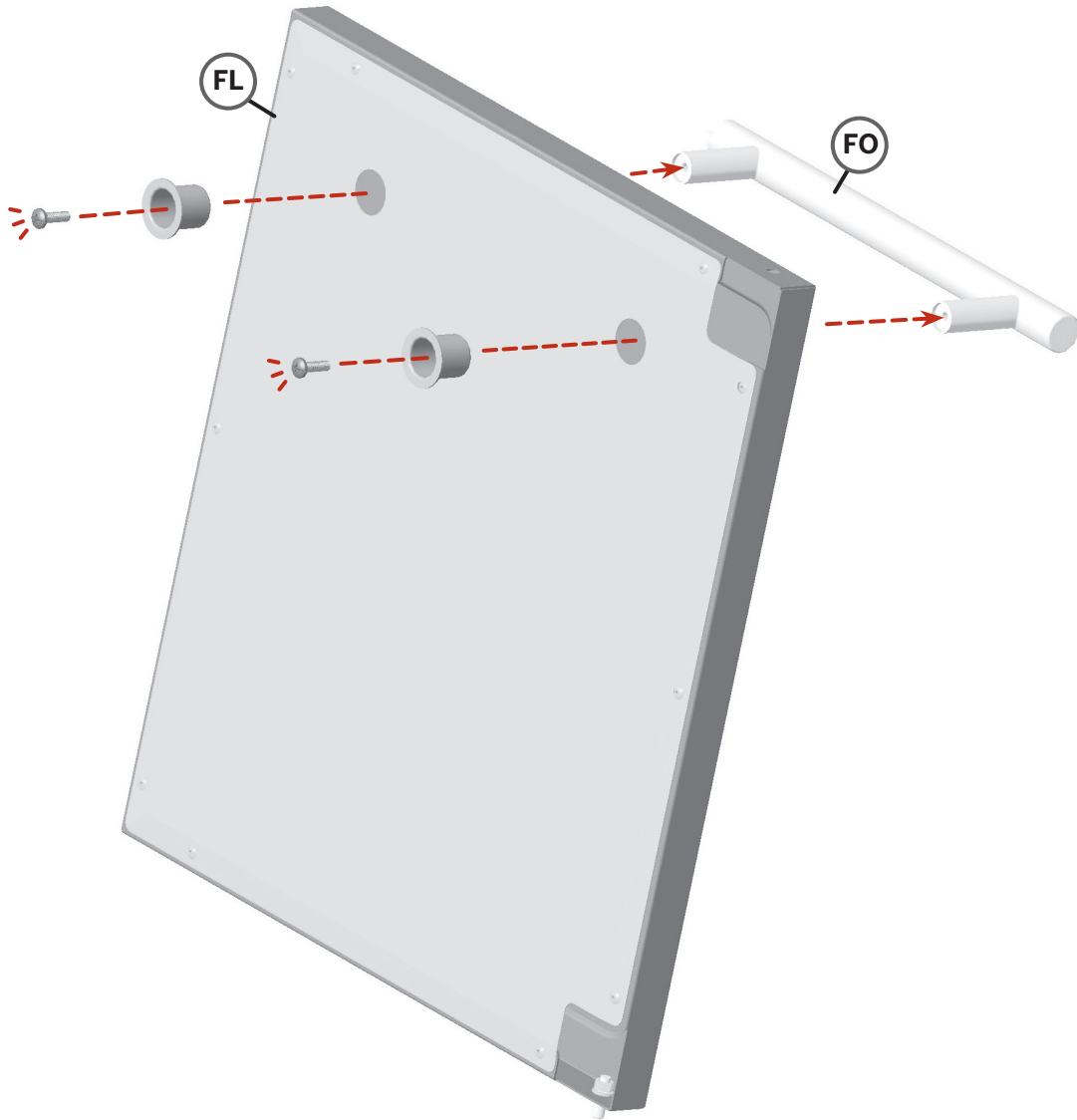
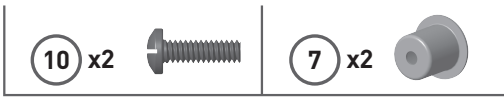
BUILD IT

STEP 17B



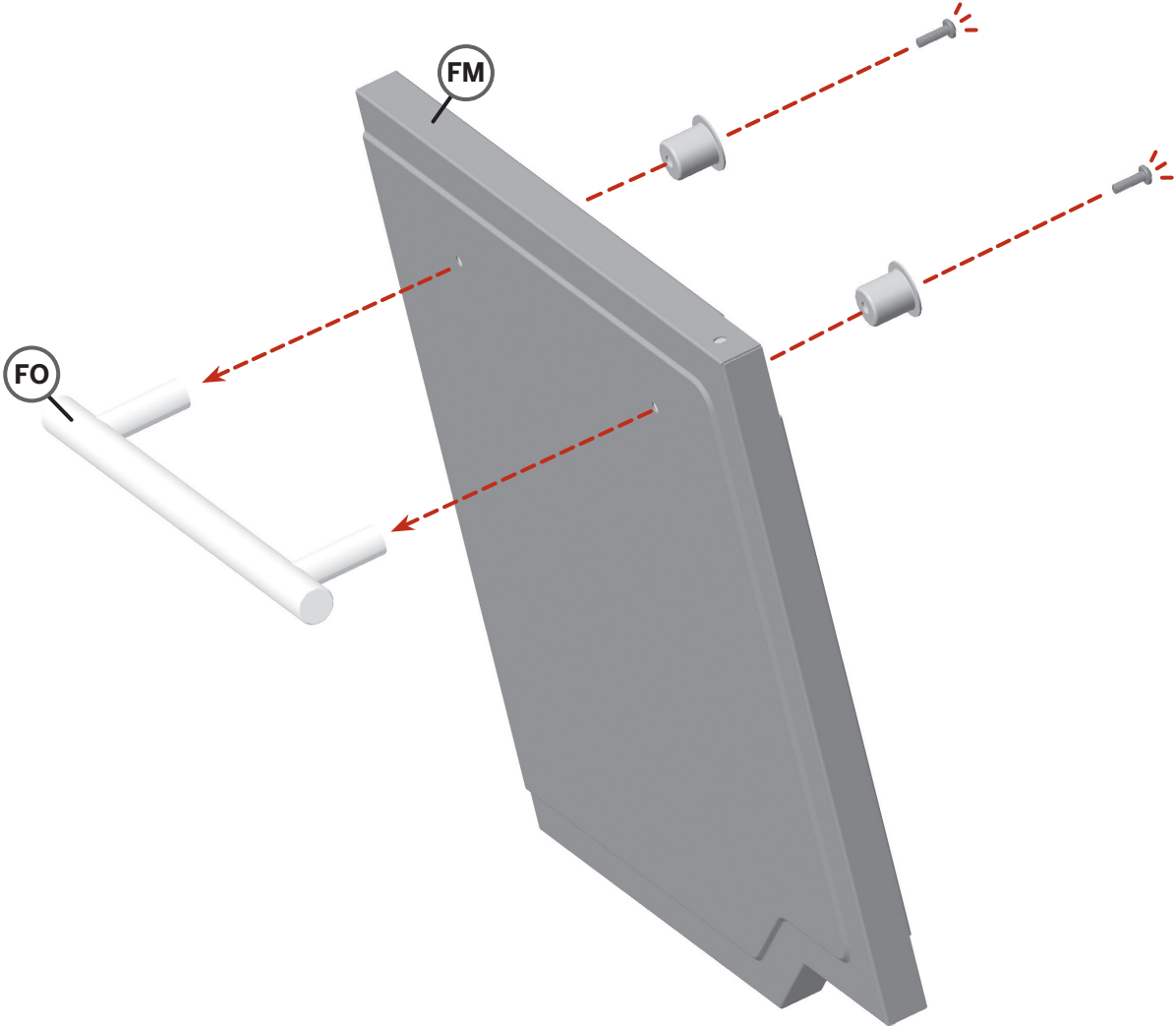
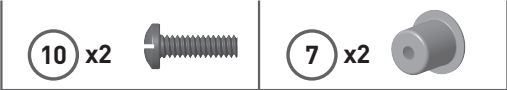
BUILD IT

STEP 18A



BUILD IT

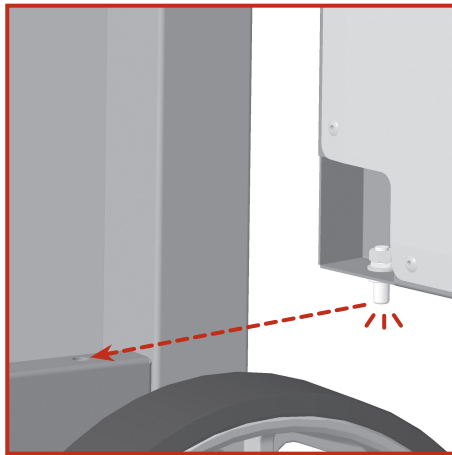
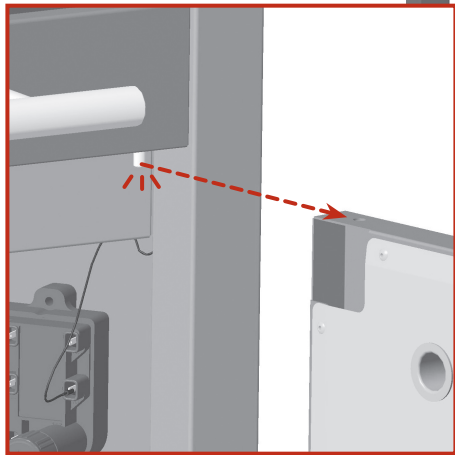
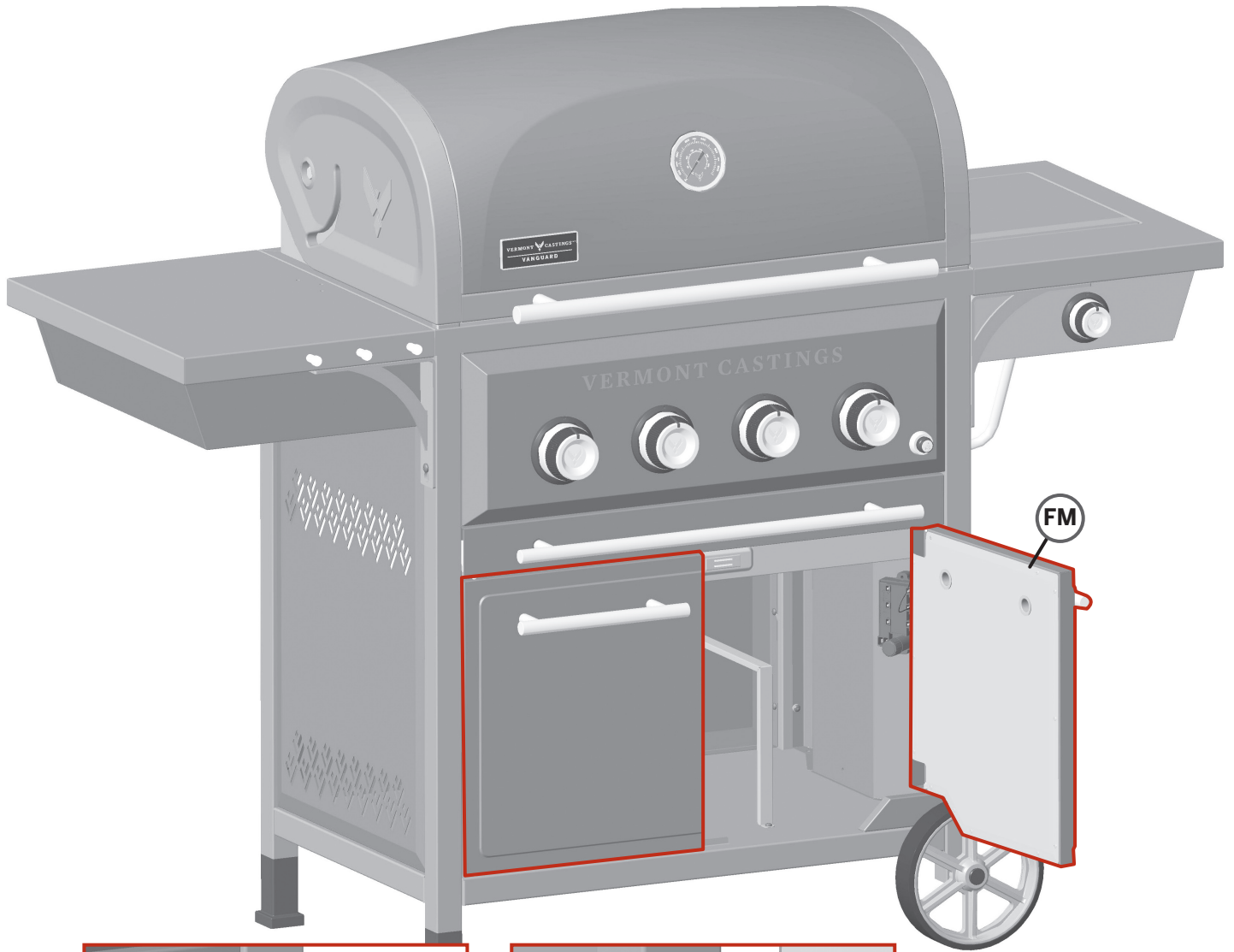
STEP 18B



BUILD IT

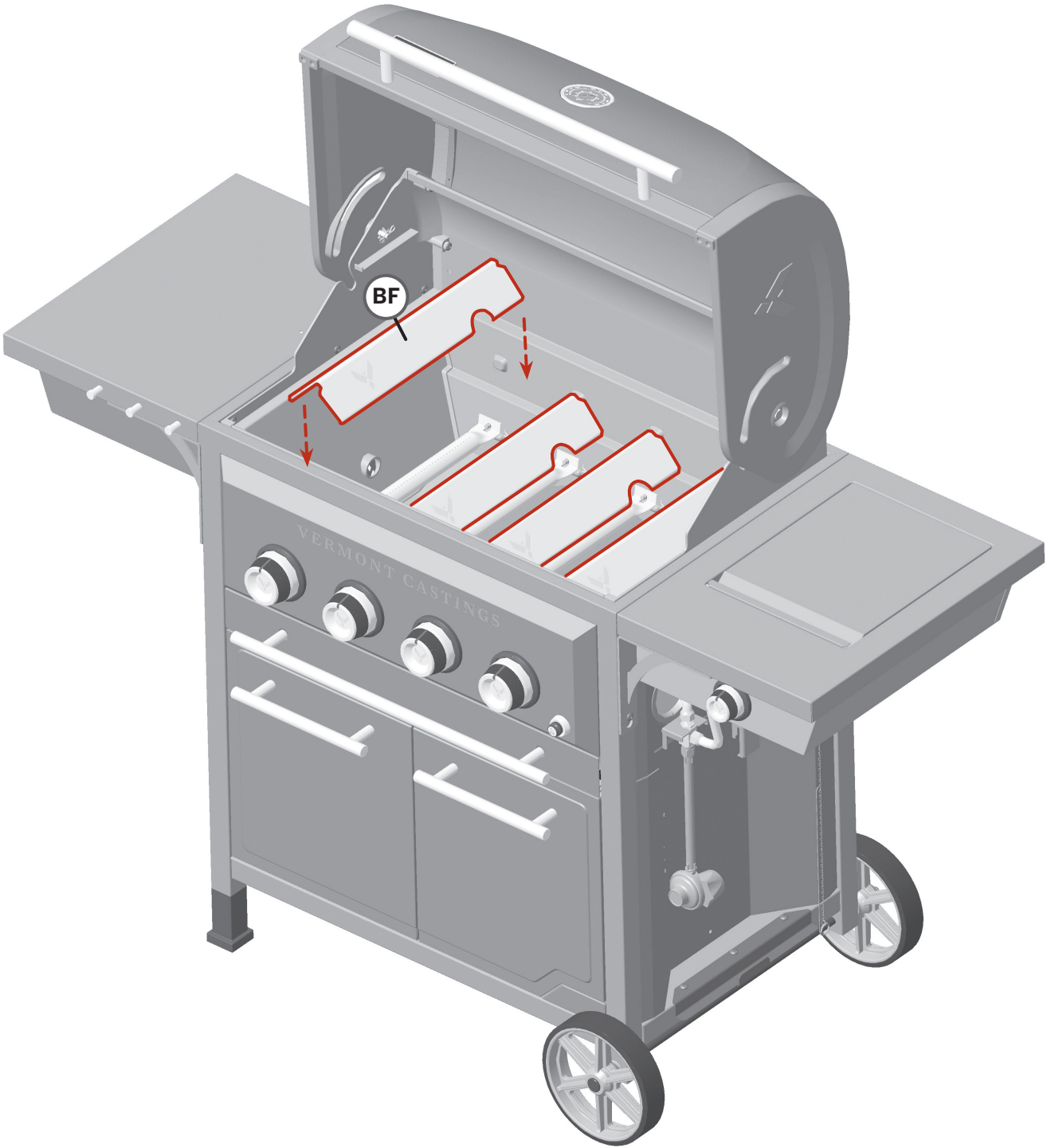
STEP 19

BUILD IT



BUILD IT

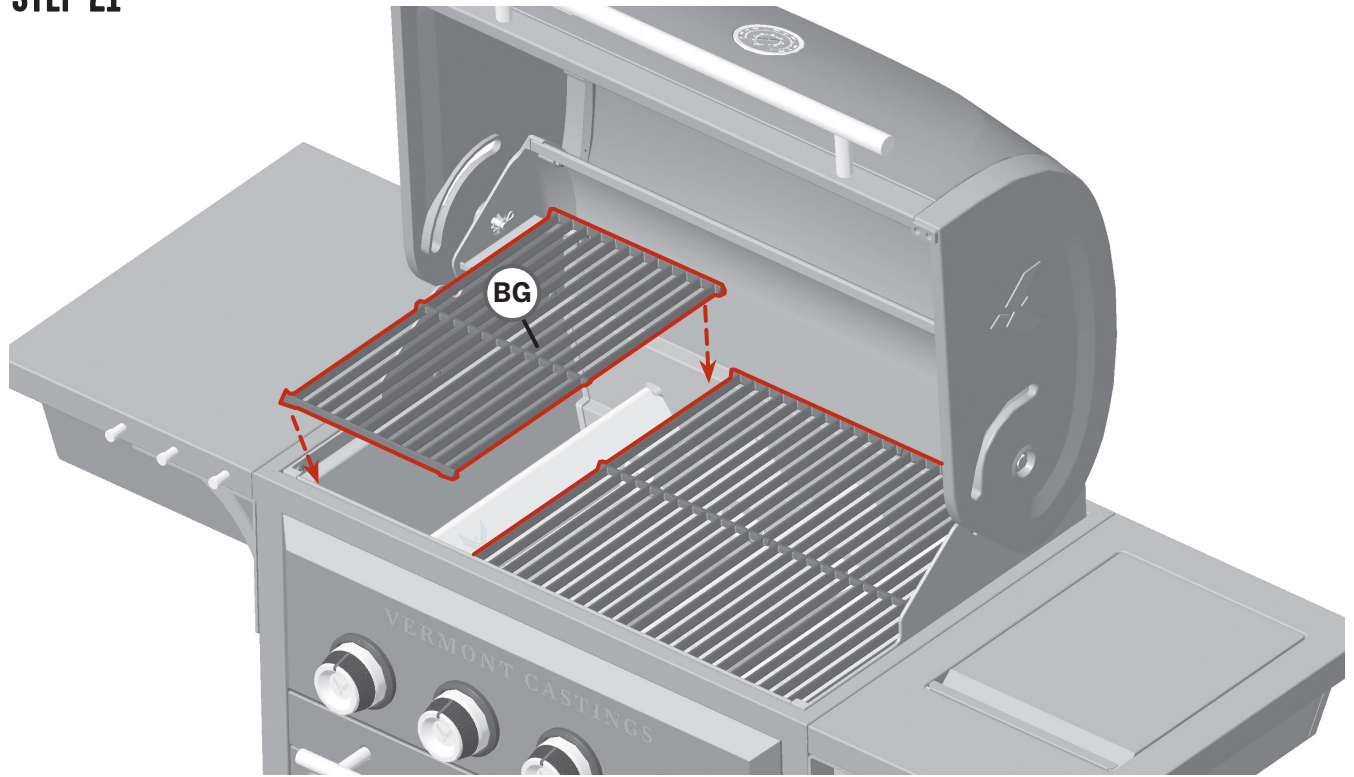
STEP 20



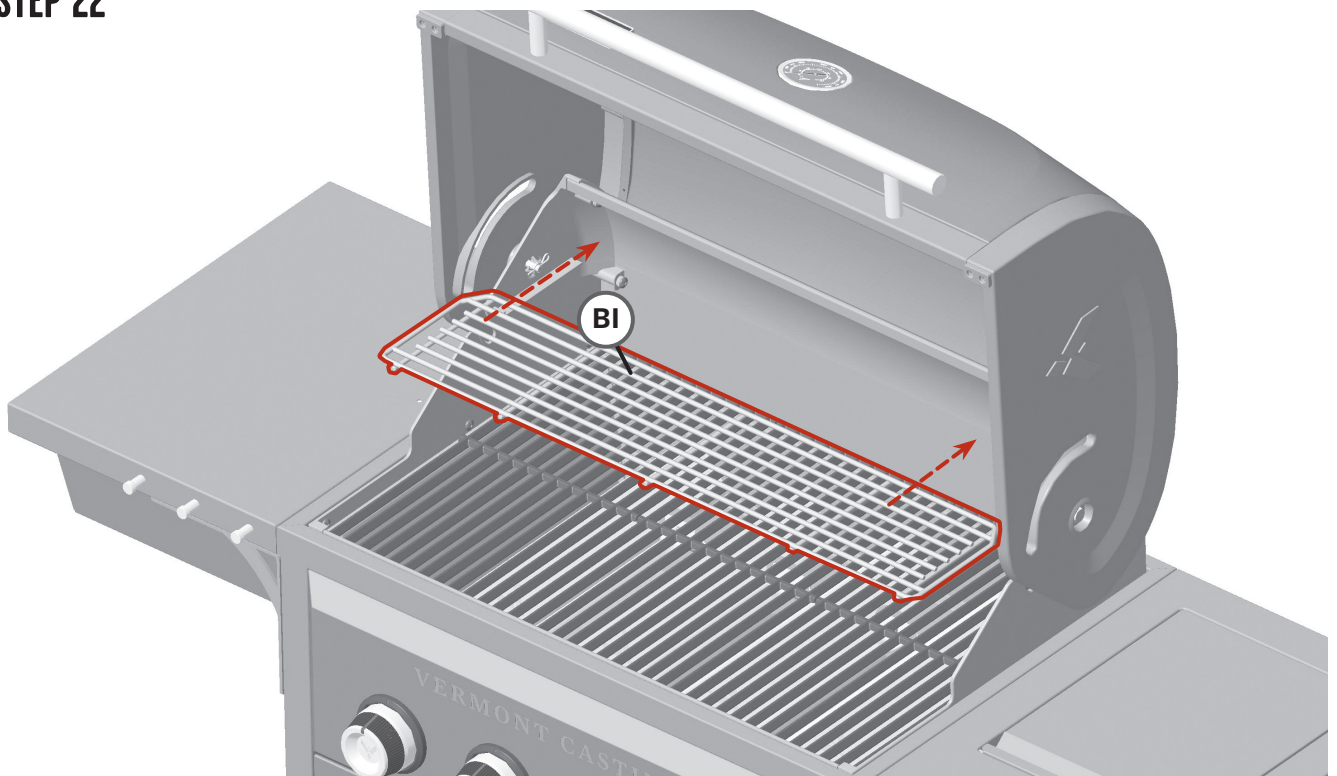
BUILD IT

BUILD IT

STEP 21



STEP 22



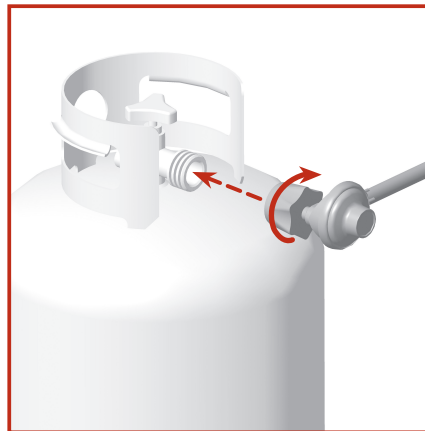
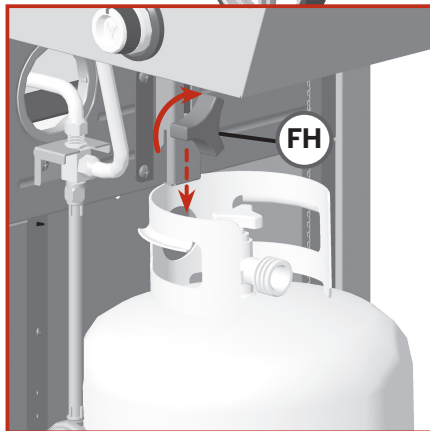
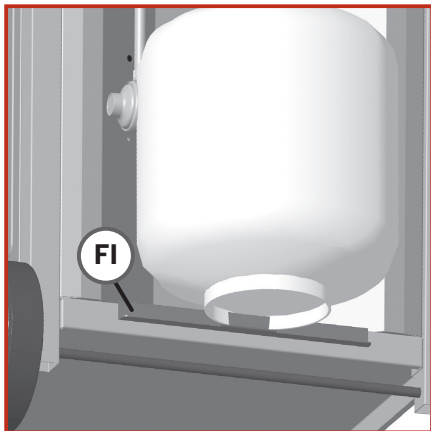
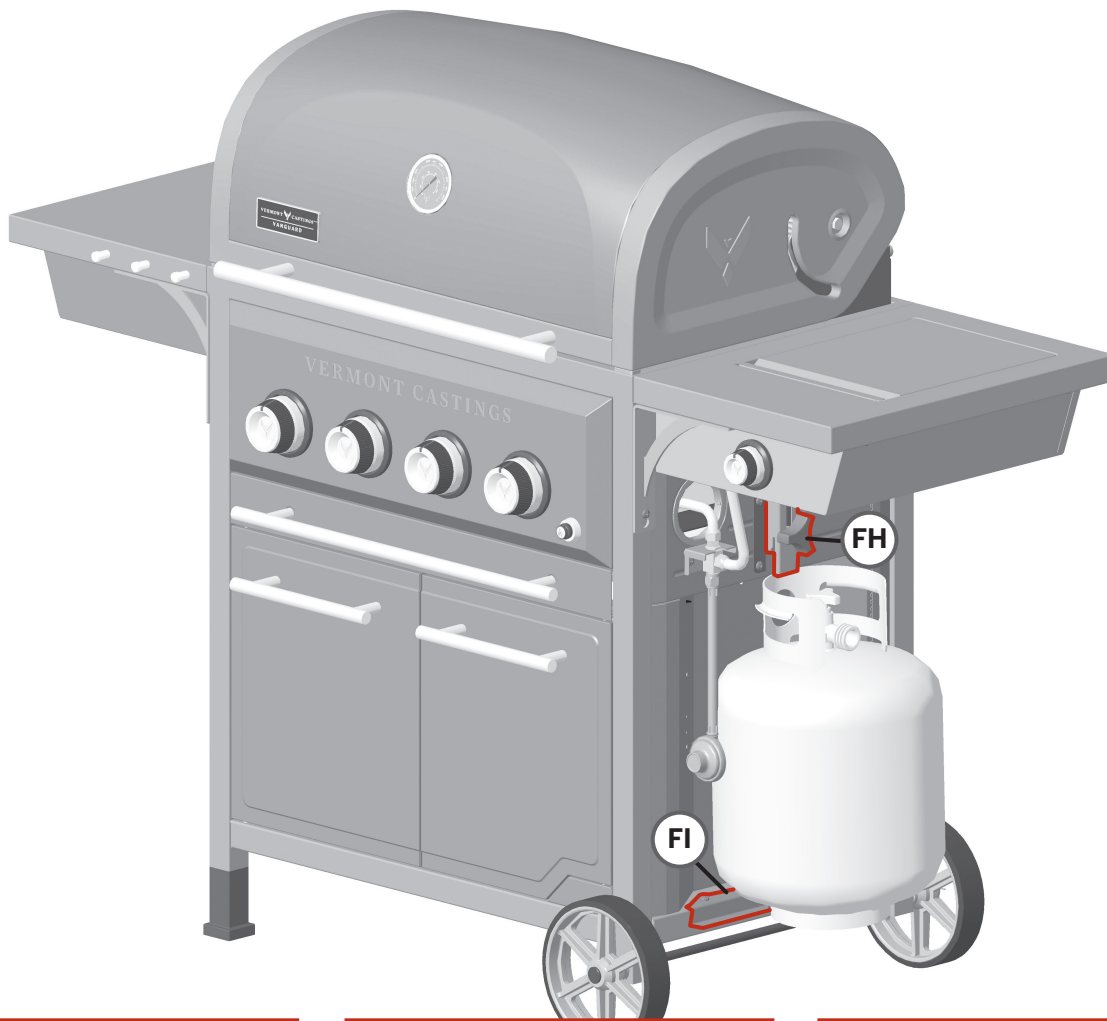
BUILD IT

STEP 23



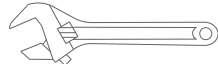
NATURAL GAS CONVERSION CUSTOMERS
PROCEED TO STEP 24.

BUILD IT



BUILD IT

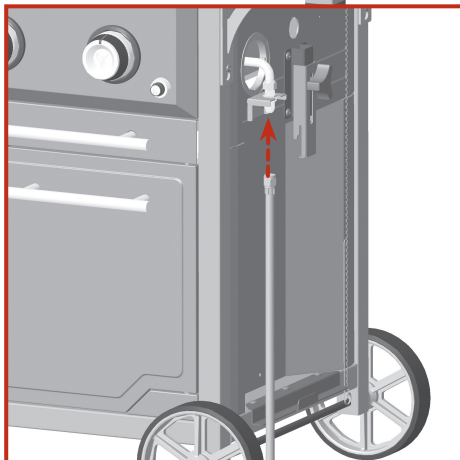
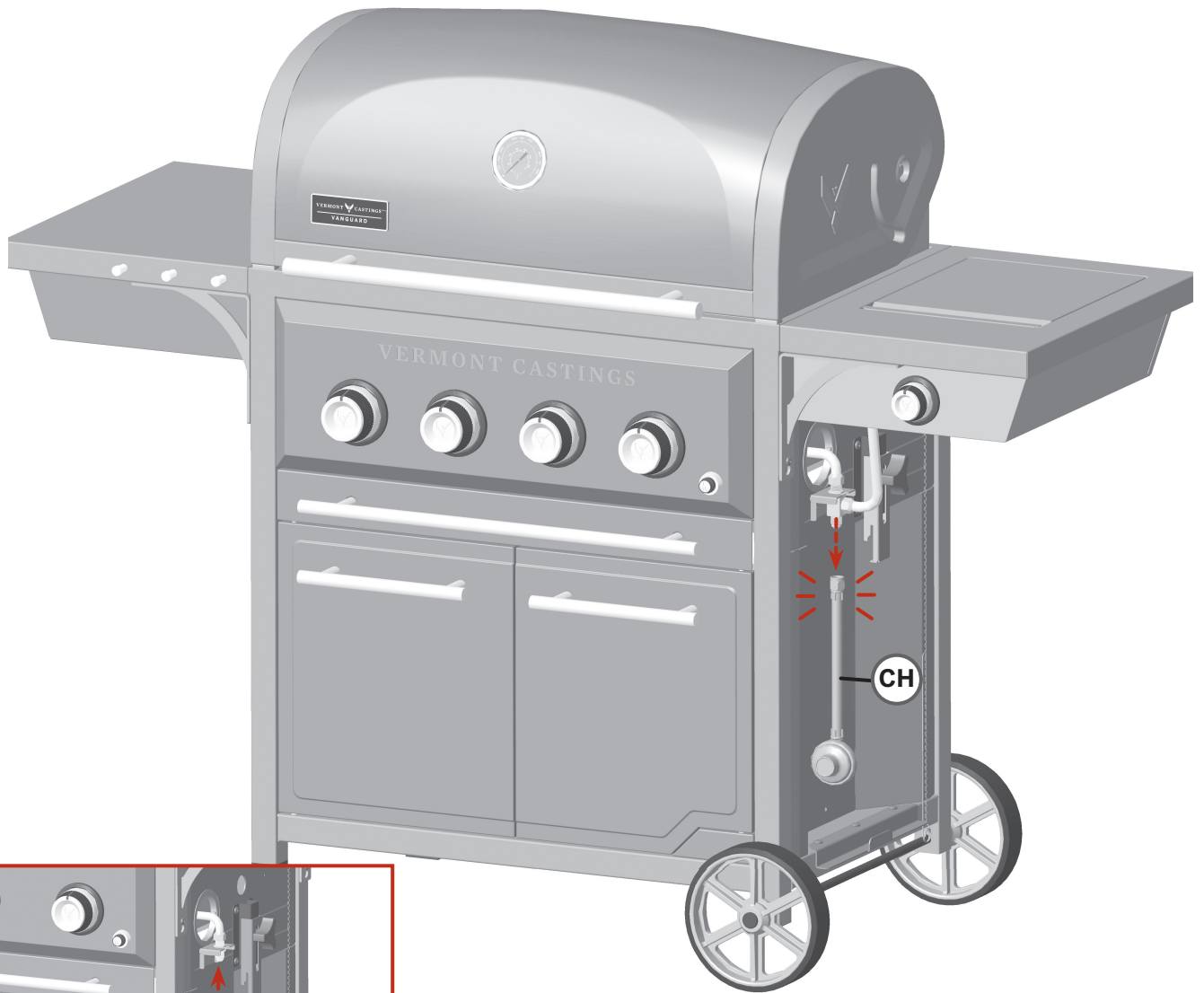
STEP 24



Wrench

NATURAL GAS CONVERSION CUSTOMERS ONLY.

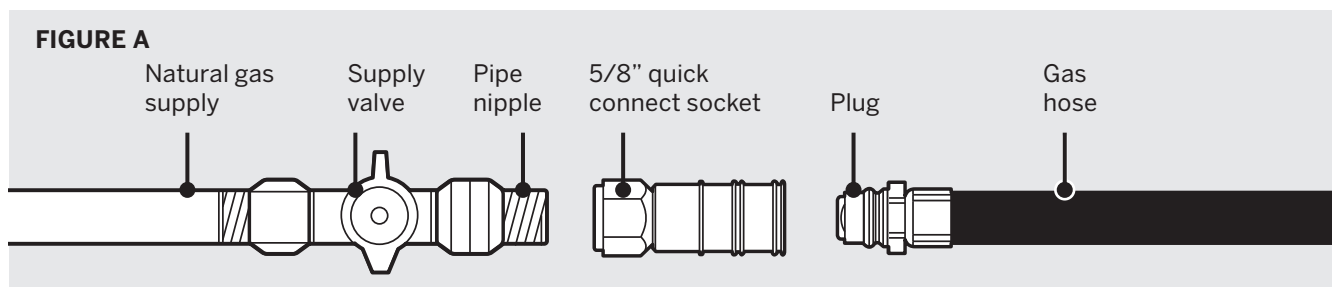
You will need the natural gas hose included with the **Convertible Valve System Kit (Model 085-2261-4)** in this step. See **Step 9A** in manual included with this kit.



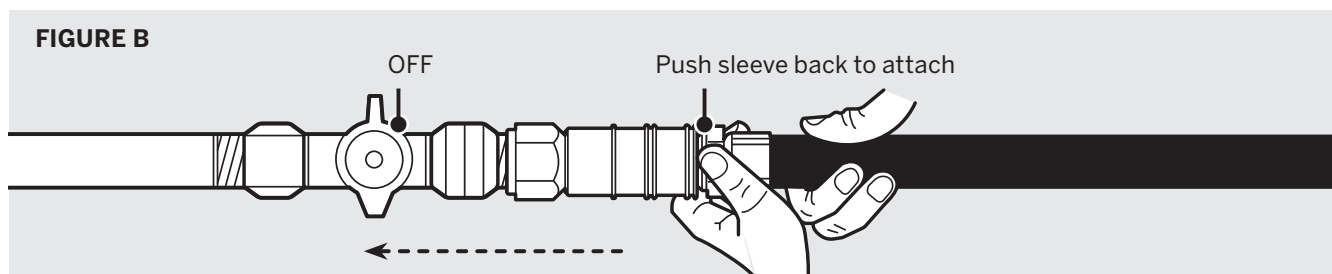
BUILD IT

STEP 25 CONNECTING YOUR BARBECUE TO THE NATURAL GAS SOURCE.

Coat pipe nipple with gas-resistant teflon tape or pipe dope. Tighten quick-disconnect coupling onto pipe nipple (FIGURE A).



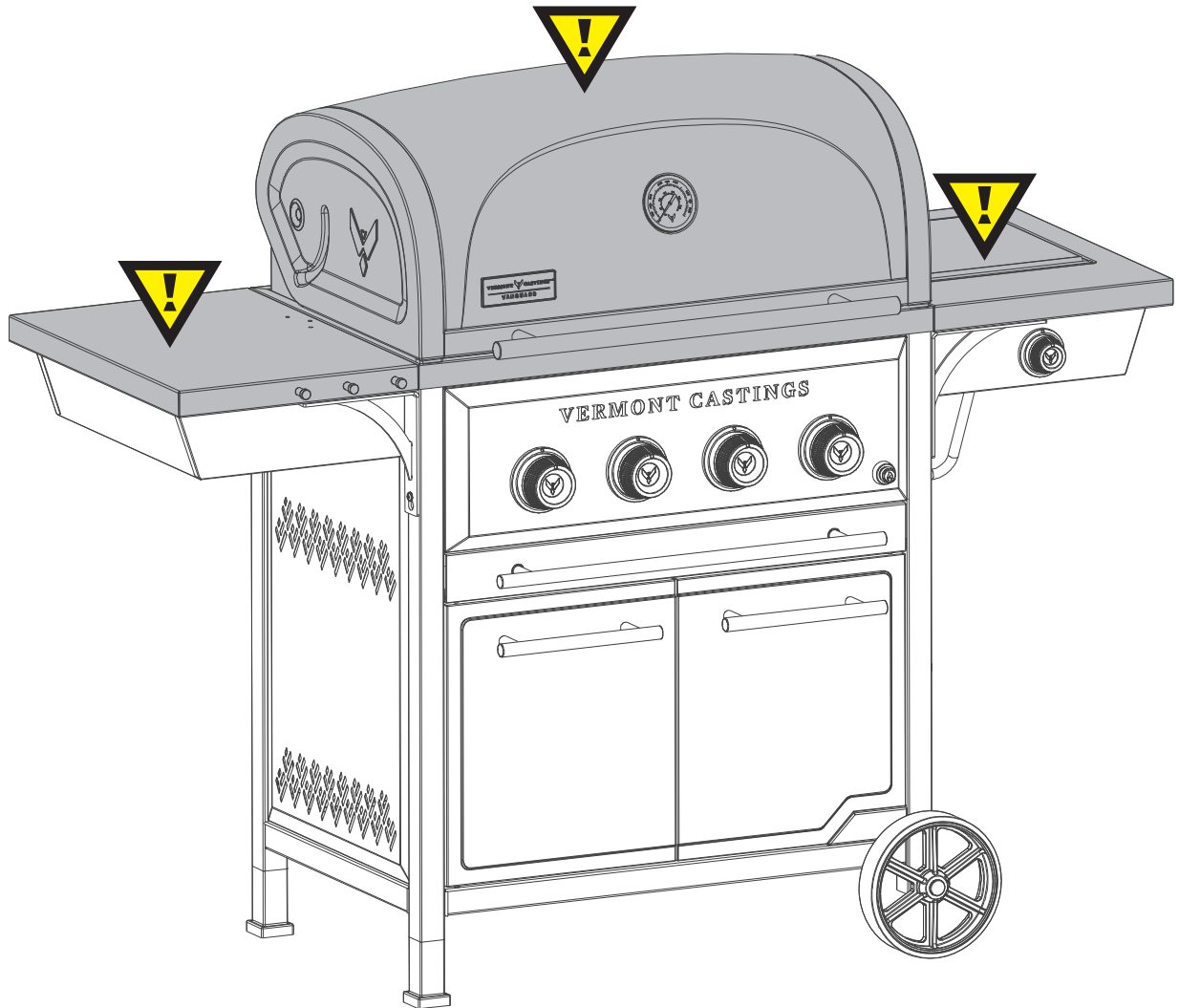
With the natural gas supply valve "OFF", connect the natural gas hose to the quick connect socket. Push the sleeve back on the quick connect socket (FIGURE B) and insert the plug until the sleeve snaps forward, locking the plug into the quick connect socket. Be sure to leak test these connections prior to use.



⚠ FIRE HAZARD—Do not route the natural gas hose inside of the barbecue cart.

BUILD IT

 **WARNING!**
HOT SURFACES.



WARNING: EXTERIOR SURFACES WILL BECOME VERY HOT. TO PREVENT BURNS, ALWAYS WEAR INSULATED PROTECTIVE BARBECUE GLOVES WHEN USING THE BARBECUE.

- KEEP AWAY FROM COMBUSTIBLE MATERIALS.
- KEEP CHILDREN AND PETS AWAY FROM THIS GAS-FIRED BARBECUE.
- AVOID DANGEROUS FIRES: DO NOT LEAVE YOUR BARBECUE UNATTENDED WHILE IN OPERATION.

BEFORE YOU BEGIN

**DON'T TAKE RISKS, READ THE USER MANUAL.
KNOWING HOW YOUR BARBECUE WORKS IS KEY TO USING IT SAFELY.**

BEFORE YOU BEGIN



NOTES

NOTES



**VERMONT
CASTINGSTM_{MC}**



CONTACT US 1-844-586-4660
WWW.VERMONTCASTINGSBBQ.COM