

**Superior**  
FIREPLACES®  
*Our name is our promise.*



The WRT3920 high-efficiency EPA certified wood-burning fireplace is a compact and stylish heater. Advanced combustion system technology and variable combustion air control allow you to enjoy extended continuous burns, greatly reducing the need to add more wood to the fire. And with a clean-face design and expansive viewing area, the WRT3920 allows you to take pleasure in the beauty of an unobstructed fire.



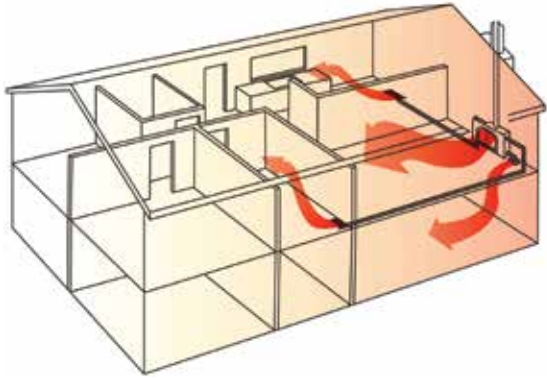
FEATURED WRT3920 with Black Perimeter Trim Kit

## EXCLUSIVE FEATURES

- 🔥 Circulating radiant design features ceramic glass for optimum heat transfer
- 🔥 EPA variable-rate certified high-efficiency wood heater
- 🔥 2.0 cubic foot insulated firebox that accepts up to 18" log size for increased performance
- 🔥 White stacked textured refractory panels with integrated ash lip and decorative cast iron log retainer
- 🔥 Air combustion control for variable heat output with air boost for faster wood ignition during startup
- 🔥 Includes insulated outside air kit (required for use)
- 🔥 55,000 BTUs and heats up to 1,500 square feet\*
- 🔥 Efficient air wash system that keeps glass clean
- 🔥 Steel door with heat resistant door handle that stays cool to the touch
- 🔥 175 CFM blower included for gentle air distribution into the room
- 🔥 Durable high temperature paint finish
- 🔥 20 Year Limited Warranty

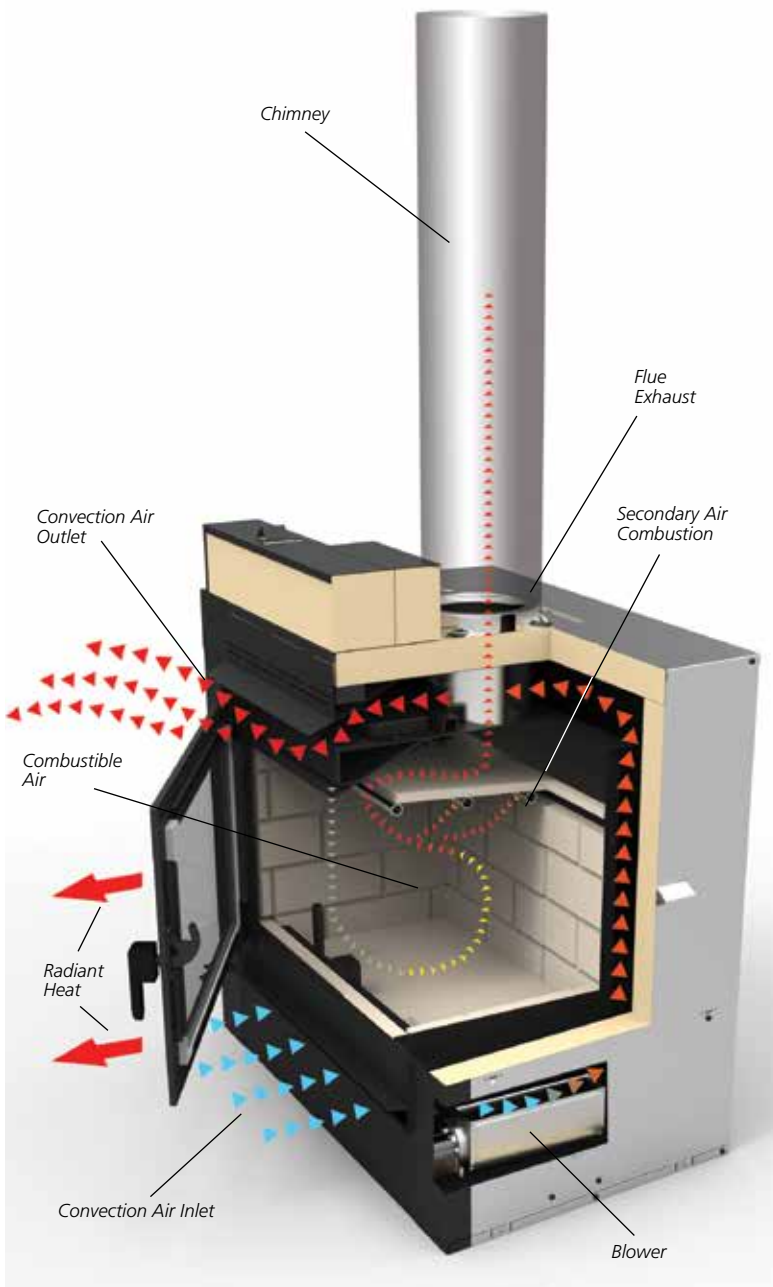
\*Square-foot heating capacities are approximations only. Actual performance may vary depending upon home design and insulation, ceiling heights, climate, condition and type of wood used, appliance location, burn rate, accessories chosen, chimney installation and how the appliance is operated.

## FORCED AIR KIT



Share the warmth. The optional Forced Air Kit provides up to **25% more heat** from the same fire. This additional heat can be distributed **up to 25 feet**, to three additional rooms, including rooms on a lower floor. The included thermostat allows automatic control of heat distribution for balanced and controlled comfort.

## ENGINEERING FEATURES AND SPECIFICATIONS



## OPTIONAL ACCESSORIES

- Cast Iron Surround Kit
- Black Perimeter Trim Kit
- Forced Air Kit for forced air zone heating to multiple locations

## SURROUND KIT OPTIONS



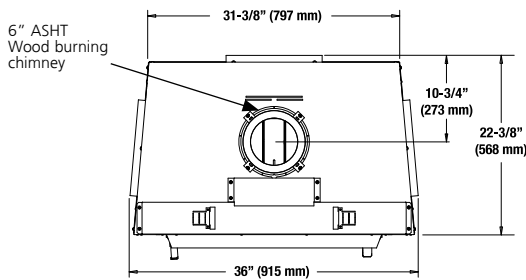
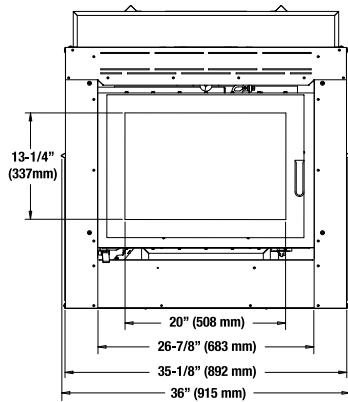
Cast Iron Surround Kit



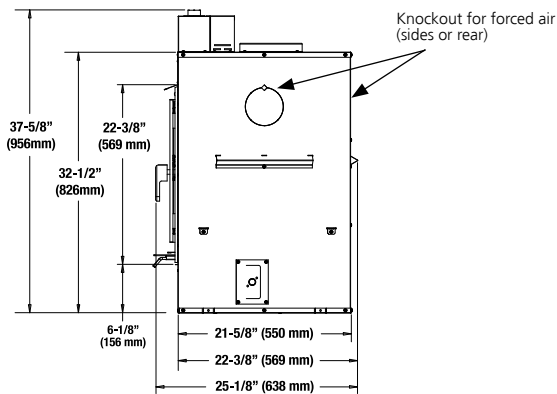
Black Perimeter Trim Kit

## APPLIANCE SPECIFICATIONS

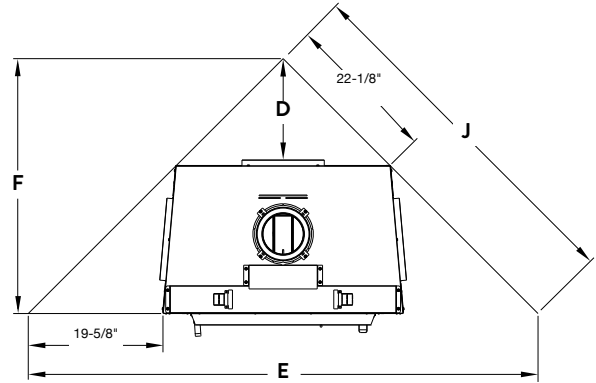
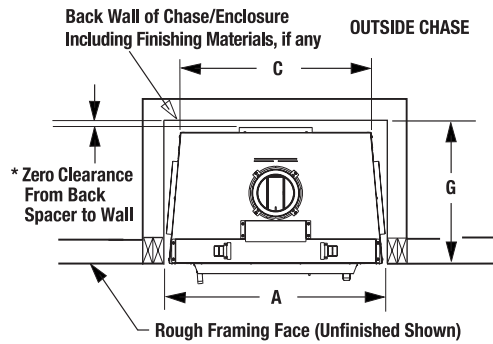
Front View



Left Side View



## FRAMING SPECIFICATIONS



A	C	D	E	F	G	J
36"	31-3/8"	14-7/8"	74-3/8"	37-1/4"	*22"	52-5/8"
915mm	797mm	378mm	1889mm	946mm	559mm	1337mm

\* Total depth is 22-1/2" (572mm) including the back spacer minus 1/2" (13mm) for drywall to be flush with the facing.

## PRODUCT SPECIFICATIONS

Glass Viewing Area (W x H)	20" x 13-1/4"
Firebox Interior (W x H x D+)	19-1/2" x 13-1/4" x 12"
Interior Cubic Feet	2.0
Maximum Log Size	18"
Chimney Size	6"
EPA Rating	1.7 grams/hr
BTUs	55,000
Heating Capacity (up to)	1,500 sq. ft.
Thermal Efficiency	60%
Blower	175 CFM
Weight	215 lbs.

+Measured in front of door

### IMPORTANT NOTES:

As with any fireplace, this appliance is extremely hot during operation. Read and understand all operating instructions before using this appliance. For further information, consult your dealer.

Local conditions, such as elevation and choice of fuel will affect overall appearance of the fire and heating performance. Performance can also vary with home design and insulation, ceiling height, accessories chosen and appliance location.

Diagrams, illustrations and photographs are not to scale — consult installation instructions. Product designs, materials, dimensions, specifications, colors and prices are subject to change or discontinuance without notice.



© Innovative Hearth Products 2022

785707M 04/22

Visit us online  
[SuperiorFireplaces.us.com](http://SuperiorFireplaces.us.com)



Report # 14-181