

Installation Manual

Installation & Appliance Set-Up

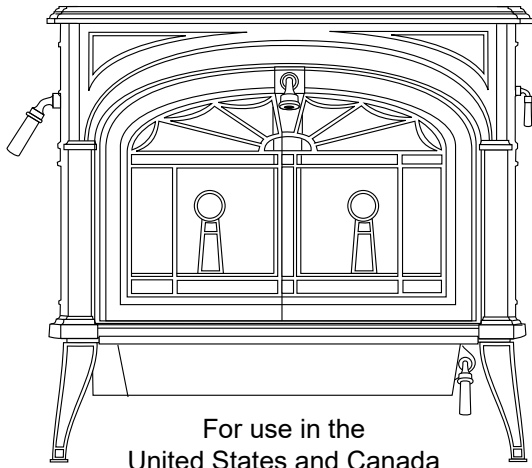
INSTALLER: Leave this manual with party responsible for use and operation.
OWNER: Retain this manual for future reference.

NOTICE: DO NOT DISCARD THIS MANUAL

NOTICE: SAVE THESE INSTRUCTIONS

VERMONT  CASTINGS

**Encore® Model 2040-CAT-C
Wood Burning Stove**



For use in the
United States and Canada



Installation and service of this appliance should be performed by qualified personnel. Hearth & Home Technologies recommends HHT Factory Trained or NFI certified professionals.



WARNING



If the information in these instructions is not followed exactly, a fire may result causing property damage, personal injury, or death.

- Do not store or use gasoline or other flammable vapors and liquids in the vicinity of this or any other appliance.
- Do not over fire - If appliance or chimney connector glows, you are over firing. Over firing will void your warranty.
- Comply with all minimum clearances to combustibles as specified. Failure to comply may cause house fire.

WARNING



HOT SURFACES!

Glass and other surfaces are hot during operation AND cool down.

Hot glass will cause burns.

- Do not touch glass until it is cooled
- NEVER allow children to touch glass
- Keep children away
- CAREFULLY SUPERVISE children in same room as fireplace.
- Alert children and adults to hazards of high temperatures
- **High temperatures may ignite clothing or other flammable materials.**
- Keep clothing, furniture, draperies and other flammable materials away.

NOTE

To obtain a French translation of this manual, please contact your dealer or visit www.vermontcastings.com

Pour obtenir une traduction française de ce manuel, s'il vous plaît contacter votre revendeur ou visitez www.vermontcastings.com

! Safety Alert Key:

- **DANGER!** Indicates a hazardous situation which, if not avoided will result in death or serious injury.
 - **WARNING!** Indicates a hazardous situation which, if not avoided could result in death or serious injury.
 - **CAUTION!** Indicates a hazardous situation which, if not avoided, could result in minor or moderate injury.
 - **NOTICE:** Indicates practices which may cause damage to the appliance or to property.
-

TABLE OF CONTENTS

1 Product Listing and Important Safety Information

A. Appliance Certification 3
B. BTU & Efficiency Specifications 3
C. Mobile Home Approved 3
D. Glass Specifications 3
E. Non-Combustible Materials 4
F. Combustible Materials 4
G. California 4

2 Getting Started

A. Design and Installation Considerations 5
B. Fire Safety 5
C. Negative Pressure 5
D. Tools And Supplies Needed 6
E. Inspect Appliance and Components 6
F. Install Checklist 7

3 Dimensions and Clearances

A. Appliance Dimensions 8
→ B. Hearth Protection Requirements 9
C. Clearances to Combustibles 10
D. Locating Your Appliance & Chimney 11
E. Chimney Termination Requirements 11
F. Chimney Location (2-10-3 Rule) 12

4 Chimney Systems

A. Venting & Draft Management 13
B. Venting Components 14
C. Chimney Systems 14
D. Installing Chimney Components 16

5 Appliance Set-Up

A. Setting up your Stove 17
B. Assemble the Removable Insert Handle 17
C. Installing the Bottom Heat Shield 18
D. Adjust Leg Levelers 18
E. Reverse Flue Collar 18
F. Attache Damper Handle 18
G. Install Catalyst Temperature Probe 18
H. Attach Primary Air Thermostat Handle 18
J. Installing/Removing Catalyst 19
K. Outside Air Kit Installation 19
L. Smoke and CO Detectors & Safety Tips 20

6 Mobile Home Installation 21

→ = Contains updated information

1 Product Listing and Important Safety Information

A. Appliance Certification

MODEL:	Encore® Model 2040-CAT-C
LABORATORY:	OMNI Test Laboratories, Inc
REPORT NO.	0135WS042E & 0135WS042S
TYPE:	Solid Fuel Room Heater / Wood Burning Type
STANDARD(s):	ASTM E2515, ASTM E2780, UL 1482-2011, ULC-S627-00, CAN/CSA B415.1
ELECTRICAL RATING:	115 VAC, 60 Hz

B. BTU & Efficiency Specifications

EPA Certification Number:	164-18
Catalytic Information	
EPA Certified Emissions:	1.1 g/hr
*EPA Default LHV:	82.8%
**Actual tested HHV:	76.8%
***EPA BTU Output:	12,800 - 37,100
****Peak BTU/Hour Output:	48,000
Other Important Information	
Vent Size:	6 Inch (152 mm) 8 Inch (203 mm)
Firebox Size:	2.3 cu. ft.
Max. Wood Length:	22" Maximum
Ideal Wood Length:	18" (Top Load)
Fuel	Seasoned Cordwood (20% moisture)
**Weighted average HHV efficiency using Douglas Fir dimensional lumber and data collected during EPA emissions test.	
***Efficiencies are based on test results calculated using B415; these calculated efficiencies are then used to calculate output BTU's.	
****A peak BTU out of the appliance calculated using the maximum first hour burn rate from the High EPA Test and the BTU content of cord wood (8600) times the efficiency.	

The Vermont Castings Encore® Model 2040-CAT-C Wood Appliance meets the U.S. Environmental Protection Agency Certified to comply with the 2020 particulate emission standards using cord wood.



This wood appliance needs periodic inspection and repair for proper operation. It is against federal regulations to operate this wood appliance in a manner inconsistent with operating instructions in this manual.

C. Mobile Home Approved (USA & Canada)

- This appliance is approved for mobile home installations in the USA when not installed in a sleeping room and when an outside combustion air inlet is provided.
- The structural integrity of the mobile home floor, ceiling, and walls must be maintained.
- The unit must be bolted to the floor. This can be done using an appropriate fastener for the application.
- The appliance must be properly grounded to the frame of the mobile home with #8 copper ground wire, and chimney must be listed to UL103 HT or a listed UL-1777 full length six" (152mm) diameter liner must be used.
- Mobile Home Bracket Kit #0003264 must be installed in a mobile home installation.

D. Glass Specifications

This appliance is equipped with 5mm ceramic glass. Replace glass only with 5mm ceramic glass. Please contact your dealer for replacement glass.

 WARNING	
	<p>Fire Risk. Hearth & Home Technologies disclaims any responsibility for, and the warranty will be voided by, the following actions:</p> <ul style="list-style-type: none"> • Installation and use of any damaged appliance. • Modification of the appliance. • Installation other than as instructed by Hearth & Home Technologies. • Installation and/or use of any component part not approved by Hearth & Home Technologies. • Operating appliance without fully assembling all components. • Operating appliance without legs attached (if supplied with it). • Do NOT Over fire - If appliance or chimney connector glows, you are over firing. <p>Any such action that may cause a fire hazard.</p>

NOTE: This installation must conform with local codes. In the absence of local codes you must comply with the UL1482-11, UL 737-11, (UM) 84-HUD and NPFA211 in the U.S.A. and the ULC S627-00 and CAN/CSA-B365 Installation Codes in Canada. **NOT APPROVED FOR MOBILE HOME INSTALLATIONS IN CANADA!**

Improper installation, adjustment, alteration, service or maintenance can cause injury or property damage.

For assistance or additional information, consult a qualified installer, service agency or your dealer.

NOTE: Hearth & Home Technologies, manufacturer of this appliance, reserves the right to alter its products, their specifications and/or price without notice.

Hearth & Home Technologies WILL NOT warranty appliances that exhibit evidence of over-firing. Evidence of over-firing includes, but is not limited to:

- Warped Damper
- Deteriorated refractory
- Deteriorated interior components

E. Non-Combustible Materials

Material which will not ignite and burn, composed of any combination of the following:

- | | |
|------------|-----------|
| - Steel | - Plaster |
| - Brick | - Iron |
| - Concrete | - Tile |
| - Glass | - Slate |

Materials reported as passing **ASTM E 136, Standard Test Method for Behavior of Metals, in a Vertical Tube Furnace of 750° C.**

F. Combustible Materials

Material made of/or surfaced with any of the following materials:

- | | |
|----------------|------------------------|
| - Wood | - Compressed Paper |
| - Plant Fibers | - Plastic |
| - Plywood/OSB | - Sheet Rock (drywall) |

Any material that can ignite and burn: flame proofed or not, plastered or non-plastered.

G. California



WARNING

This product and the fuels used to operate this product (wood), and the products of combustion of such fuels, can expose you to chemicals including carbon black, which is known to the State of California to cause cancer, and carbon monoxide, which is known to the State of California to cause birth defects or other reproductive harm. For more information go to: www.P65Warnings.ca.gov

2 Getting Started

A. Design and Installation Considerations

Consideration must be given to:

- Safety
- Convenience
- Traffic flow
- Chimney and chimney connector required

It is a good idea to plan your installation on paper, using exact measurements for clearances and floor protection, before actually beginning the installation. If you are not using an existing chimney, place the appliance where there will be a clear passage for a factory-built listed chimney through the ceiling and roof.

We recommend that a qualified building inspector and your insurance company representative review your plans before and after installation.

If this appliance is in an area where children may be near it is recommended that you purchase a decorative barrier to go in front of the appliance. Remember to always keep children away while it is operating and do not let anyone operate this appliance unless they are familiar with these operating instructions.



CAUTION

Check building codes prior to installation.

- Installation **MUST** comply with local, regional, state and national codes and regulations.
- Consult insurance carrier, local building, fire officials or authorities having jurisdiction about restrictions, installation inspection, and permits.



WARNING



Asphyxiation Risk

- **DO NOT CONNECT THIS APPLIANCE TO A CHIMNEY FLUE SERVICING ANOTHER APPLIANCE.**
- **DO NOT CONNECT TO ANY AIR DISTRIBUTION DUCT OR SYSTEM.**

May allow flue gases to enter the house.

B. Fire Safety

To provide reasonable fire safety, the following should be given serious consideration:

1. Install at least one smoke detector on each floor of your home to ensure your safety. They should be located away from the heating appliance and close to the sleeping areas. Follow the smoke detector manufacturer's placement and installation instructions, and be sure to maintain regularly.

2. A conveniently located Class A fire extinguisher to contend with small fires resulting from burning embers.
3. A CO detector should be installed in the room with the appliance.
4. A practiced evacuation plan, consisting of at least two escape routes.
5. A plan to deal with a chimney fire as follows:
In the event of a chimney fire:
 - a. Evacuate the house immediately
 - b. Notify fire department.

Notice: Hearth & Home Technologies assumes no responsibility for the improper performance of the appliance system caused by:

- Inadequate draft due to environmental conditions
- Down drafts
- Tight sealing construction of the structure
- Mechanical exhausting devices
- Over drafting caused by excessive chimney heights
- Ideal performance is with height of chimney of 16 feet (4.88m) measured from the base of the appliance.

C. Negative Pressure



WARNING



Asphyxiation Risk

- Negative pressure can cause spillage of combustion fumes, soot and carbon monoxide.
- Appliance needs to draft properly for safety.



Negative pressure results from the imbalance of air available for the appliance to operate properly. It can be strongest in lower levels of the house.

Causes include:

- Exhaust fans (kitchen, bath, etc.)
- Range hoods
- Combustion air requirements for furnaces, water appliances and other combustion appliances
- Clothes dryers
- Location of return-air vents to furnace or air conditioning
- Imbalances of the HVAC air handling system
- Upper level air leaks such as:
 - Recessed lighting
 - Attic hatch
 - Duct leaks

To minimize the effects of negative air pressure:

- Install outside air to the stove with the intake facing prevailing winds during the heating season
- Ensure adequate outdoor air for all combustion appliances and exhaust equipment
- Ensure furnace and air conditioning return vents are not located in the immediate vicinity of the appliance
- Avoid installing the appliance near doors, walkways or small isolated spaces
- Recessed lighting should be a “sealed can” design
- Attic hatches weather stripped or sealed
- Attic mounted duct work and air handler joints and seams taped or sealed
- Basement installations should be avoided

 WARNING	
	<p>Fire Risk.</p> <p>Hearth & Home Technologies disclaims any responsibility for, and the warranty will be voided by, the following actions:</p> <ul style="list-style-type: none">• Installation and use of any damaged appliance.• Modification of the appliance.• Installation other than as instructed by Hearth & Home Technologies.• Installation and/or use of any component part not approved by Hearth & Home Technologies.• Operating appliance without fully assembling all components.• Operating appliance without legs attached (if supplied with appliance).• Do NOT Over fire - If appliance or chimney connector glows, you are over firing. <p>Any such action that may cause a fire hazard.</p>



D. Tools And Supplies Needed

Before beginning the installation be sure the following tools and building supplies are available:

- | | |
|---|--|
| <ul style="list-style-type: none">• Reciprocating saw• Pliers• Hammer• Phillips screwdriver• Flat blade screwdriver• Plumb line• Level• Misc. screws and nails• 1/2-3/4 in. length, #6 or #8 self-drilling screws | <ul style="list-style-type: none">• Framing material• High temp caulking material• Gloves• Framing square• Electric drill and bits• Safety glasses• Tape measure |
|---|--|

E. Inspect Appliance and Components

- Remove appliance and components from packaging and inspect for damage.
- Report to your dealer any parts damaged in shipment.
- **Read all the instructions before starting the installation. Follow these instructions carefully during the installation to ensure maximum safety and benefit.**

 WARNING	
	<p>Fire Risk</p> <p>Inspect appliance and components for damage. Damaged parts may impair safe operation.</p> <ul style="list-style-type: none">• Do NOT install damaged components.• Do NOT install incomplete components.• Do NOT install substitute components. <p>Report damaged parts to dealer.</p>

F. Install Checklist

ATTENTION INSTALLER: Follow this Standard Work Checklist

This standard work checklist is to be used by the installer in conjunction with, not instead of, the instructions contained in this installation manual

Customer: _____

Date Installed: _____

Lot/Address: _____

Location of Appliance: _____

Installer: _____

Dealer/ Distributor Phone #: _____

Serial #: _____

Model : _____

WARNING! Risk of Fire or Explosion! Failure to install appliance according to these instructions can lead to a fire or explosion.

Appliance Install

Verified clearance to combustibles.

Appliance is leveled and connector is secured to appliance.

Hearth extension size/height decided.

Outside Air Installed.

Floor protection requirements have been met.

If appliance is connected to a masonry chimney, it should be cleaned and inspected by a professional. If installed to a factory built metal chimney, the chimney must be installed according to the manufacturer's instructions and clearances.

YES IF NO, WHY?

YES	IF NO, WHY?
<input type="checkbox"/>	_____
<input type="checkbox"/>	_____
<input type="checkbox"/>	_____
<input type="checkbox"/>	_____
<input type="checkbox"/>	_____
<input type="checkbox"/>	_____

Chimney

Chimney configuration complies with diagrams.

Chimney installed, locked and secured in place with proper clearance.

Chimney meets recommended height requirements (Minimum 16 Feet).

Roof flashing installed and sealed.

Terminations installed and sealed.

<input type="checkbox"/>	_____
<input type="checkbox"/>	_____
<input type="checkbox"/>	_____
<input type="checkbox"/>	_____
<input type="checkbox"/>	_____

Clearances

Combustible materials not installed on non-combustible areas.

Verified all clearances meet installation manual requirements.

Mantels and wall projections comply with installation manual requirements.

Protective hearth strips and hearth extensions installed per manual requirements.

<input type="checkbox"/>	_____
<input type="checkbox"/>	_____
<input type="checkbox"/>	_____
<input type="checkbox"/>	_____

Appliance Setup

All packaging and protective materials removed.

Firebrick/Refractory, baffle and ceramic blanket (if applicable) installed correctly

All labels have been removed from the door.

All packaging materials are removed from inside/under the appliance.

Manual bag and all of its contents are removed from inside/under the appliance and given to the party responsible for use and operation.

<input type="checkbox"/>	_____
<input type="checkbox"/>	_____
<input type="checkbox"/>	_____
<input type="checkbox"/>	_____

Hearth & Home Technologies recommends the following:

- Photographing the installation and copying this checklist for your file.
- That this checklist remain visible at all times on the appliance until the installation is complete.

Comments: Further description of the issues, who is responsible (Installer/Builder/Other Trades, etc.) and corrective action needed:

Comments communicated to party responsible _____ by _____ on _____
(Builder/Gen. Contractor) (Installer) (Date)

3 Dimensions and Clearances

A. Appliance Dimensions

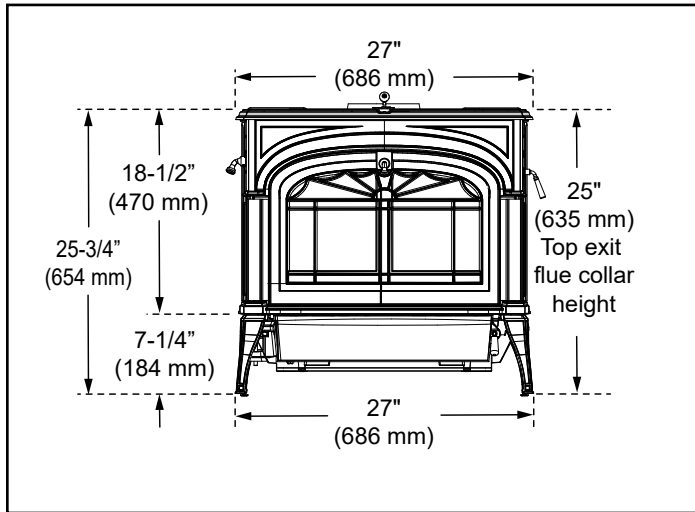


Figure 3.1 - Front View

NOTE: Flue Collar size is 6" (152mm) diameter (ID)

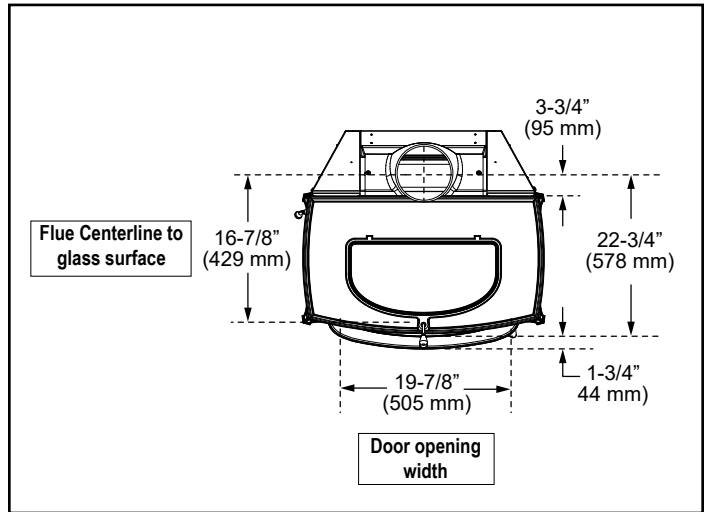


Figure 3.3 - Top View

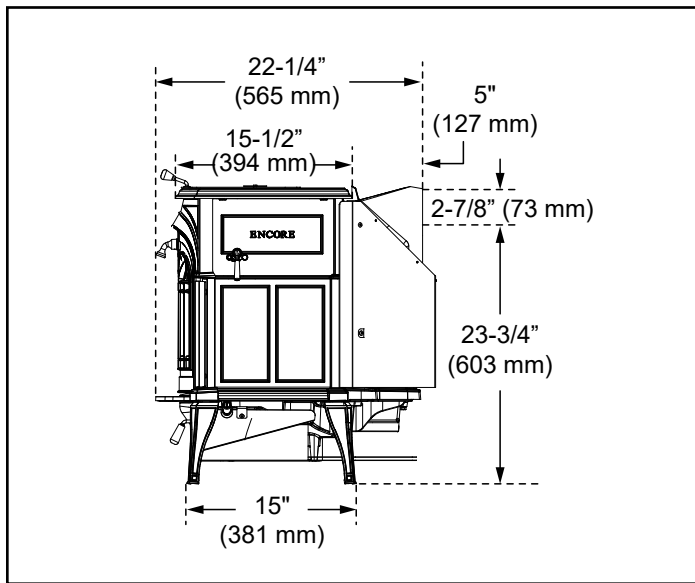


Figure 3.2 - Side View

B. Hearth Protection Requirements

FLOOR PROTECTION: It is necessary to install a Type I floor protector. (Spark & Ember protection ONLY)

Floor protector must be non-combustible material extending under the appliance to a minimum of 16" (406 mm) in front of glass, and 6" (152 mm) to both sides of the fuel loading door. Open the door and measure 8" (203 mm) from the side edge of the opening in the face of the appliance. *See exception.

In Canada, similar floor protection must be provided 18" (457 mm) in front and 8" (203 mm) from the sides and rear of the appliance, Figure 3.8


***EXCEPTION:** Non-combustible floor protections must extend beneath the flue pipe when installed with horizontal venting and extend 2" (51 mm) beyond each side, Figure 3.7.


WARNING



Fire Risk

Hearth pads must be installed exactly as specified. High temperatures or hot embers may ignite concealed combustibles.


CAUTION

Hearth and Home Technologies does not recommend adhesive based vinyl flooring due to thermal expansion. Floating-style flooring (LVP - luxury vinyl plank or LVT – luxury vinyl tile) can be used, but it will reach temperatures up to 110 °F in a room with ambient temperature of 70 °F. Consult flooring specifications to ensure compatibility.

When using LVP/LVT flooring, wood stove and inserts require 57 inches of alternative flooring in front of the stove or insert before using LVP/LVT. Whether the stove or insert sits flush on the floor or is elevated on a raised hearth, 57 inches of alternative flooring is required in front of the stove or insert.

For all other flooring, continue to follow clearance to combustible requirements in the installation manual.

NOTICE: Clearances that do not meet the minimum guidelines could result in damage or buckling to the vinyl flooring and is done at the installer's risk.

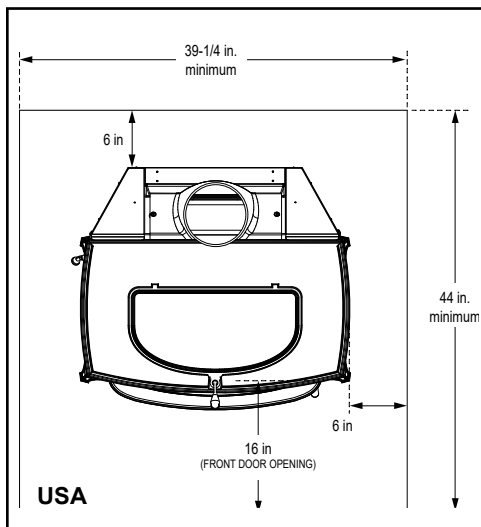


Figure 3.5

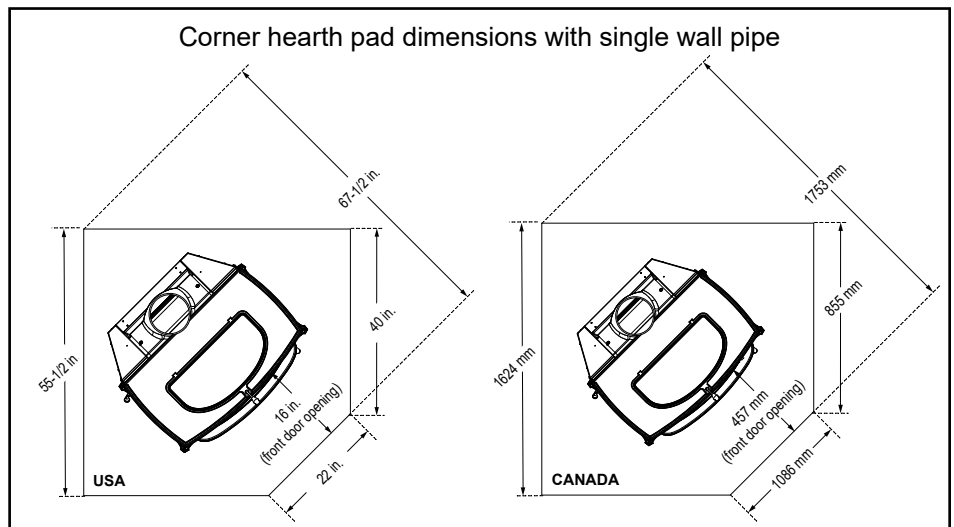


Figure 3.6

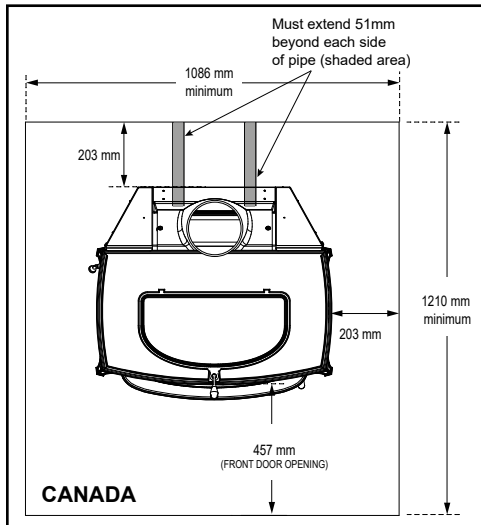


Figure 3.7

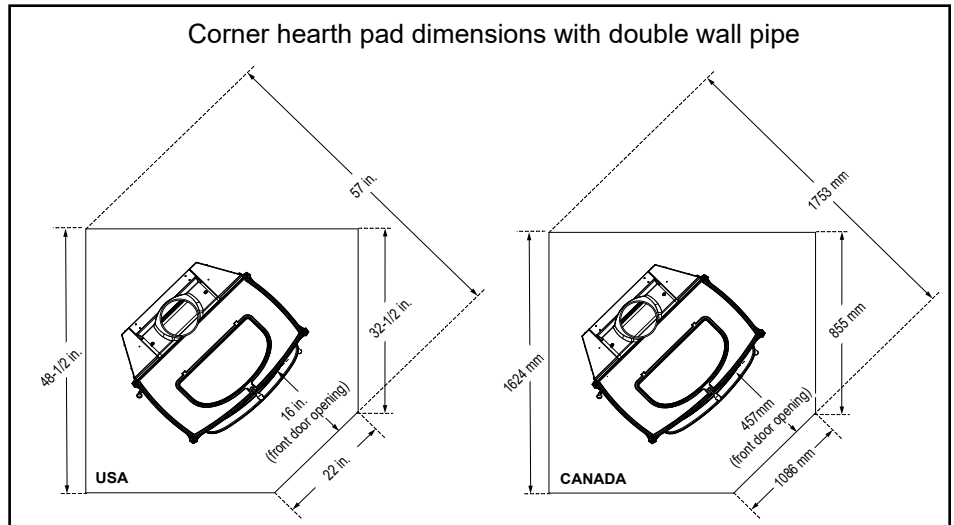


Figure 3.8

C. Clearances to Combustibles

Minimum Clearances to Combustible Materials								
Note: A, C and F Dimensions are to the center of the flue collar								
Installation: 8" Chimney Connector								
	A	B	C	D	E	F	G	H
Single Wall Pipe	25"	20"	33"	19-1/2"	15"	24-1/2"	58"	18"
Double Wall Pipe	16"	11"	32"	18-1/2"	7-1/2"	17"	58"	18"
Installation: 6" Chimney Connector								
Single Wall Pipe	20"	15"	33"	19-1/2"	15"	24-1/2"	58"	18"
Double Wall Pipe	16"	11"	32"	18-1/2"	7-1/2"	17"	58"	18"
Installation: Rear Vent 6" or 8" Chimney Connector								
Single Wall Pipe		14"	33"	19-1/2"				

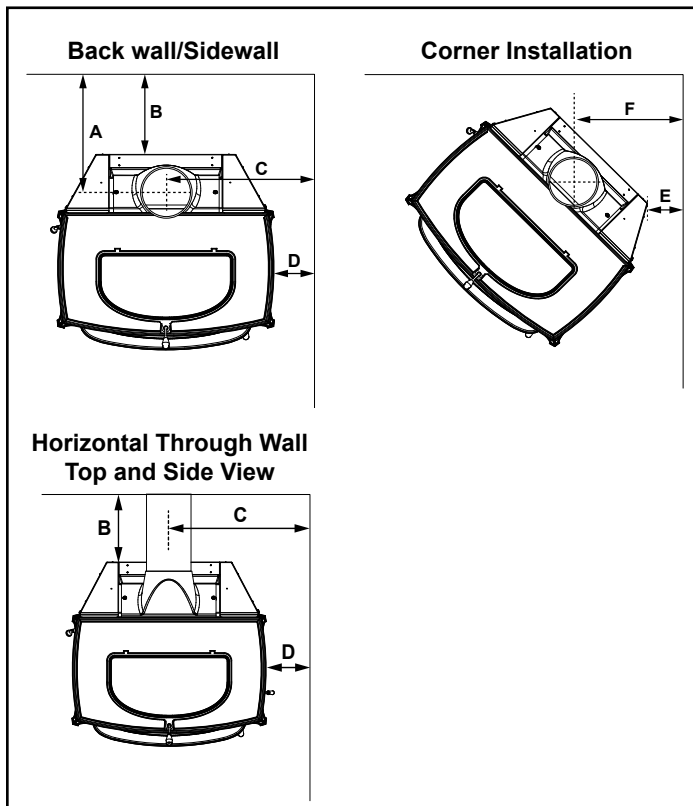


Figure 3.9

WARNING

Fire Risk

- Comply with all minimum clearances to combustibles as specified.
- Failure to comply may cause house fire.

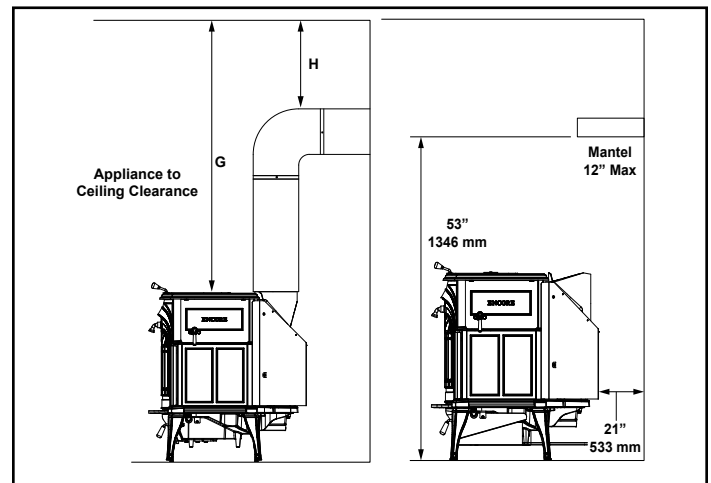
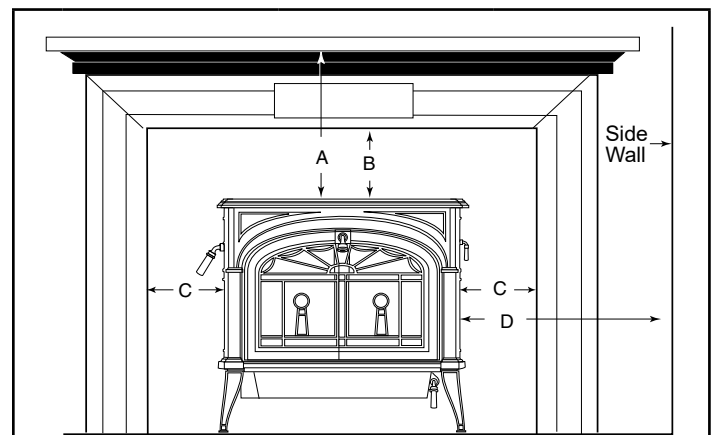


Figure 3.10



Fireplace and Mantel Trim Clearances			
		Unprotected	NFPA 211 Protected
A	Mantel Trim	28" (711 mm)	15" (381 mm)
B	Top Trim	25" (635 mm)	15" (381 mm)
C	Side Trim	22" (559 mm)	11" (280 mm)
D	Side Wall	22" (559 mm)	11" (280mm)

Figure 3.11 - Maintain clearances to combustible components of the mantel piece.

D. Locating Your Appliance & Chimney

Location of the appliance and chimney will affect performance. As shown in Figure 3.12 the chimney should:

- Install through the warm space enclosed by the building envelope. This helps to produce more draft, especially during lighting and die down of the fire.
- Penetrate the highest part of the roof. This minimizes the affects of wind turbulence and down drafts.

- Consider the appliance location in order to avoid floor and ceiling attic joists and rafters.
- Locate termination cap away from trees, adjacent structures, uneven roof lines and other obstructions.

Your local dealer is the expert in your geographic area and can usually make suggestions or discover solutions that will easily correct your flue problem.

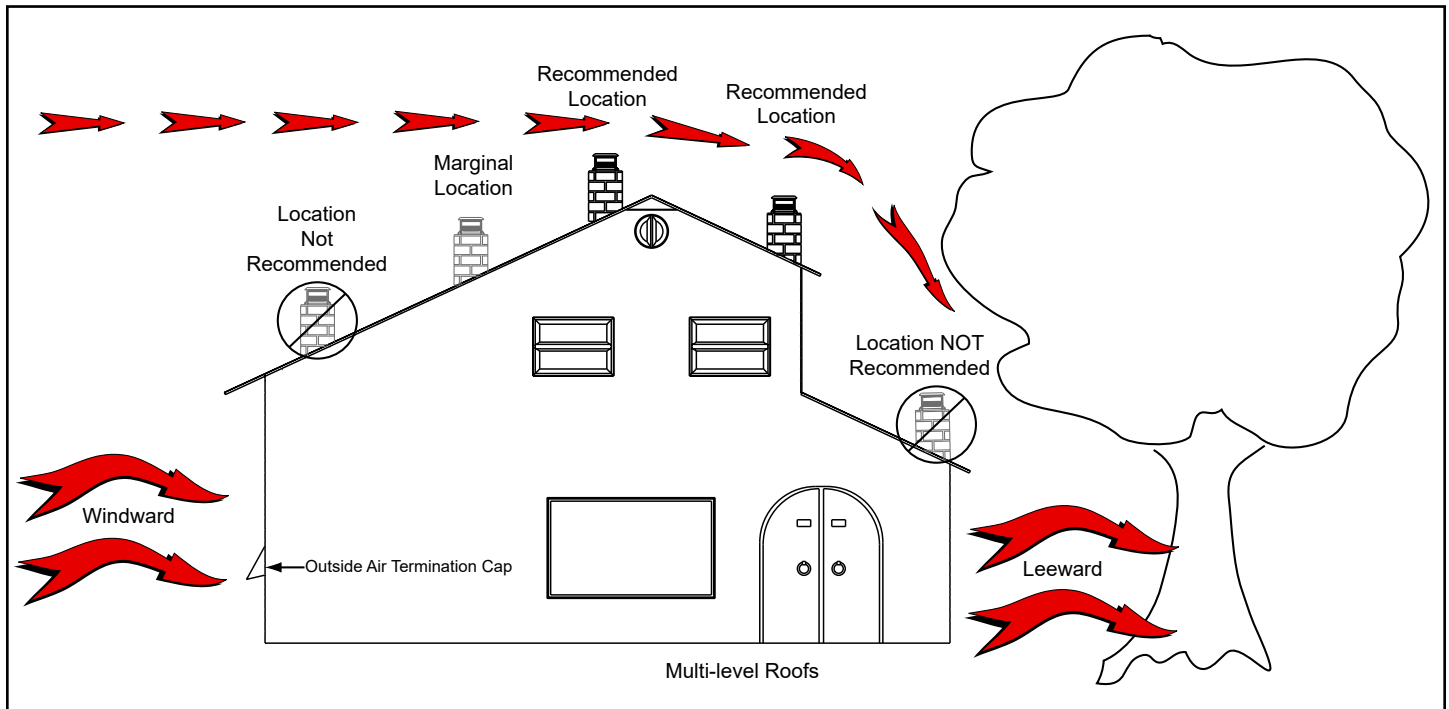


Figure 3.12

E. Chimney Termination Requirements

Follow manufacturer's instructions for clearance, securing flashing and terminating the chimney, Figures 3.13 & 3.14.

- Must have an approved and Listed cap
- Must not be located where it will become plugged by snow or other material
- Must terminate at least 3 feet (91 cm) above the roof and at least 2 feet (61 cm) above any portion of the roof within 10 feet (305 cm).
- Must be located away from trees or other structures

NOTICE:

- Chimney performance may vary.
- Trees, buildings, roof lines and wind conditions affect performance.
- Chimney height may need adjustment if smoking or overdraft occurs.

NOTICE: Locating the appliance in a basement or in a location of considerable air movement can cause intermittent smoke spillage from appliance. Do not locate appliance near

- Frequently open doors
- Central heat outlets or returns

F. Chimney Location (2-10-3 Rule)

These are safety requirements and are not meant to assure proper flue draft.

This appliance is made with a 6" (152 mm) diameter chimney connector as the flue collar on the appliance.

- Changing the diameter of the chimney can affect draft and cause poor performance.
- It is not recommended to use offsets and elbows at altitudes above 4000 feet above sea level and or when there are other factors that affect flue draft.

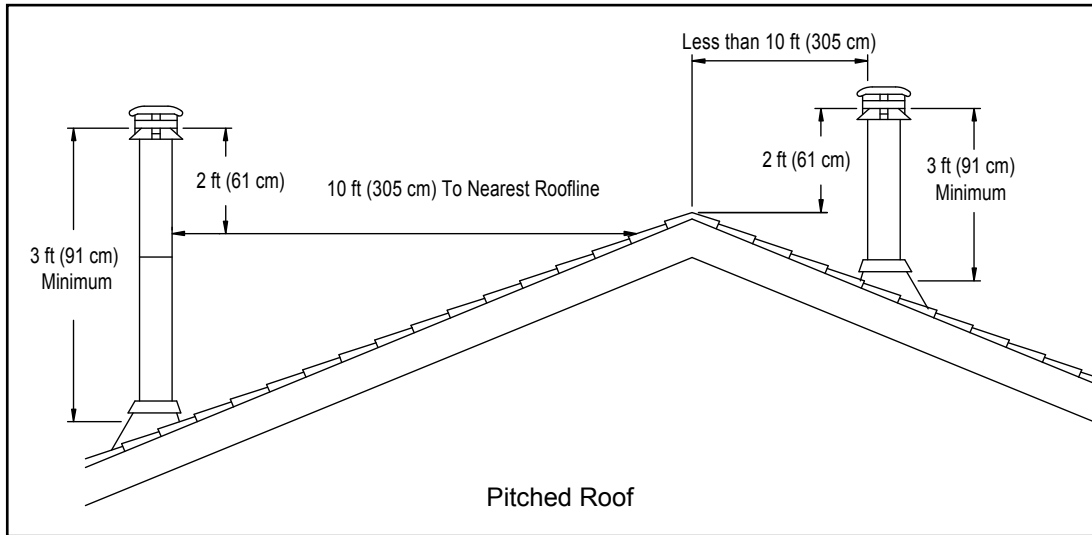


Figure 3.13

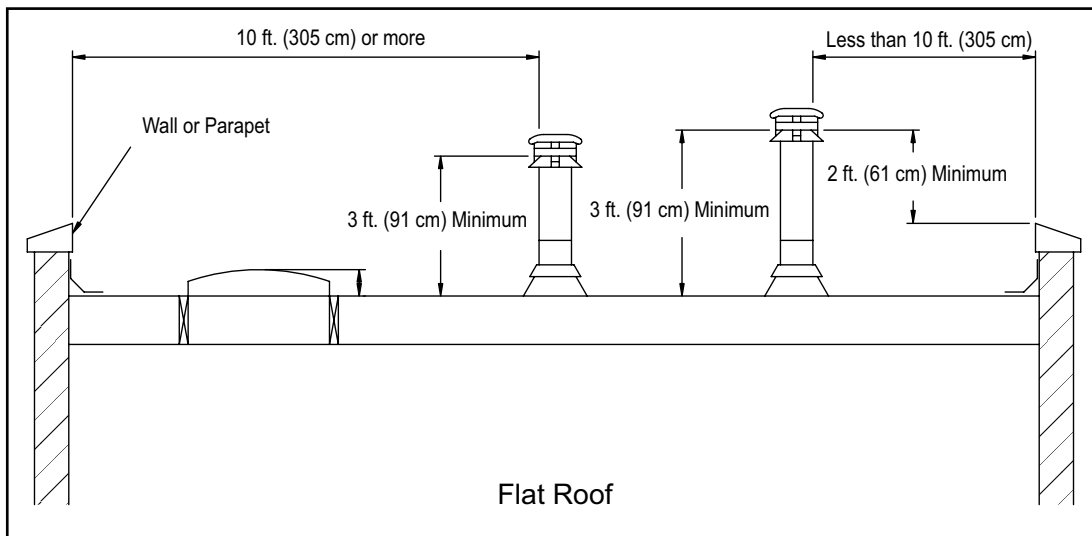


Figure 3.14

4 Chimneys & Venting

A. Venting & Draft Management

A stove is part of a system, which includes the chimney, the operator, the fuel, and the home. The other parts of the system will affect how well the stove works. When there is a good match between all the parts, the system works well.

Wood stove or insert operation depends on natural (unforced) draft. Natural draft occurs when the exhaust is hotter (and therefore lighter) than the outdoor air at the top of the chimney. The bigger the temperature difference, the stronger the draft. As the hot gases rise through the chimney they provide suction or 'draw' that pulls air into the stove for combustion. A slow, lazy fire with the stove's air inlets fully open indicates a weak draft. A brisk fire, supported only by air entering the stove through the normal inlets, indicates a good draft. The stove's air inlets are passive; they regulate how much air can enter the stove, but they don't move air into it.

Depending on the features of your installation - steel or masonry chimney, inside or outside the house, matched to the stove's outlet or oversized - your system may warm up quickly, or it may take a while to warm up and operate well. With an 'airtight' stove, one which restricts the amount of air getting into the firebox, the chimney must keep the stove's exhaust warm all the way to the outdoors in order for the stove to work well. Some chimneys do this better than others. Here's a list of features and their effects.

Draft, Chimney Height & Performance

This appliance was tested for emissions on a 15 foot chimney, using a combination of single wall chimney connector & insulated class A pipe. The unit requires a draft between .03 and .065 in of H₂O. The draft measurement should be taken with an active fire, the damper closed and the air control at the maximum setting. If the draft is below .03 in of H₂O, the unit may have issues operating with the damper closed and may back-puff into the room on lower burn settings. If the draft of the chimney system is too low, additional vertical height should be added to the system or the number of elbows/tees in the system should be reduced. The venting system should have no more than a total of 180° of turns (2 x 90° elbows, 4 x 45° elbows or any combination). Two 45° elbows create less draft reduction than a single 90° and can be substituted for installations with low draft. Tall chimney systems, particularly internal Class A systems may generate draft which is well above 0.65 in of H₂O. In that case, the unit may experience short burn times, difficulty controlling the burn rate of the stove and the potential for overfiring. In the past, stack dampers could be recommended in these installations, but manufacturers are no longer permitted to specify these on EPA Certified models. The chimney system should be carefully reviewed and draft tested (if possible) prior to installation of this unit.

Masonry Chimney

Masonry is a traditional material for chimneys, but it can perform poorly when it serves an 'airtight' stove. Masonry is a very effective 'heat sink' - it absorbs a lot of heat. It can cool the chimney gases enough to diminish draft. The bigger the chimney, the longer it takes to warm up. It's often very difficult to warm up an outdoor masonry chimney, especially an oversized one, and keep it warm enough to maintain an adequate draft.

Steel Chimney

Most factory-made steel chimneys have a layer of insulation around the inner flue. This insulation keeps the chimney warm. The insulation is less dense than masonry, so a steel chimney warms up more quickly than a masonry chimney. Steel doesn't have the good looks of masonry, but it performs much better.

Indoor/Outdoor Location

Because the chimney must keep the smoke warm, it's best to locate it inside the house. This uses the house as insulation for the flue and allows some heat release into the home. An indoor chimney won't lose its heat to the outdoors, so it takes less heat from the stove to heat it up and keep it warm.

Single Venting

Each 'airtight' stove requires its own flue. If an airtight stove is vented to a flue that also serves an open fireplace, or a leakier stove, it's easier for the chimney draft to pull air in through those channels and performance of the stove suffers. Imagine a vacuum cleaner with a hole in the hose to understand the effect here. In some cases the other appliance can even cause a negative draft through the stove, and result in a dangerous draft reversal.

Flue Sizing

The inside size of a chimney for an 'airtight' stove should match the size of the stove's flue outlet. When a chimney serves an airtight stove, more is not better; in fact, it can be a disadvantage. Hot gases lose heat faster as they travel slower through a chimney; if we vent a stove with a six-inch flue collar (28 square inch area) into a 10 x 10" flue, the gases slow to one third their original speed. This allows the gases to cool more rapidly, which weakens draft strength. If an oversized flue is also outside the house, the heat it absorbs gets transferred to the outdoor air and the flue usually stays cool.

It is common for a masonry flue, especially one serving a fireplace, to be oversized for the stove. It can take quite a while to warm up such a flue, and the results can be disappointing. The best solution to an oversized flue is an insulated steel chimney liner, the same diameter as the stove or inserts flue outlet; the liner keeps the exhaust warm, and the result is a stronger draft. A non-insulated liner is a second choice - the liner keeps the exhaust restricted to its original size, but the hot gases still must warm up the air around the liner. This makes the warm-up process take longer.

B. Venting Components

Chimney Connector: It is also known as flue pipe or appliance pipe. The chimney connector joins the appliance to the chimney. It must be a 6" (152 mm) minimum diameter 24 gauge mild steel black or 26 gauge blued steel, or an approved air-insulated double wall venting pipe.

Thimble: A manufactured or site-constructed device installed in combustible walls through which the chimney connector passes to the chimney. It is intended to keep the walls from igniting. Site constructed thimbles must meet NFPA 211 Standards. Prefabricated must be suitable for use with selected chimney and meet UL103 Type HT Standards. Follow instructions provided by the manufacturer for manufactured thimbles for masonry chimney and prefabricated chimneys.

Chimney: The chimney can be new or existing, masonry or prefabricated and must meet the following minimum requirements specified in Section 4C.

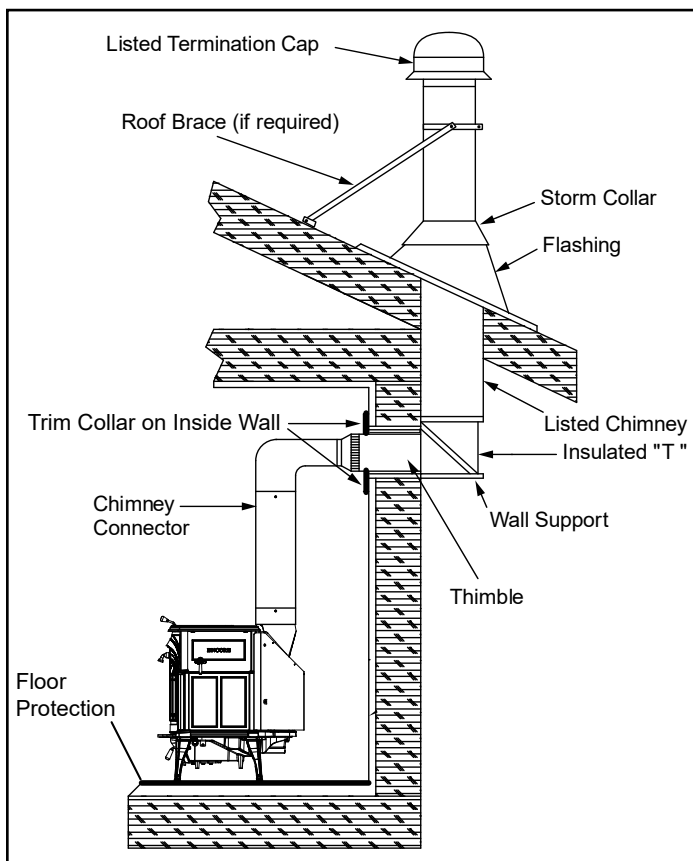


Figure 4.1 - Prefabricated Exterior Chimney

C. Chimney Systems

Prefabricated Metal Chimney

- Must be minimum 6" (152 mm) diameter (ID) high temperature chimney listed to UL 103 HT (2100 °F) or ULC-S629M.
- Must use components required by the manufacturer for installation.
- Must maintain clearances required by the manufacturer for installation.
- Refer to manufacturers instructions for installation.

NOTE: In Canada when using a factory-built chimney it must be safety listed, **Type UL103 HT (2100 °F) CLASS "A"** or conforming to **CAN/ULC-S629M, STANDARD FOR 650 °C FACTORY-BUILT CHIMNEYS.**

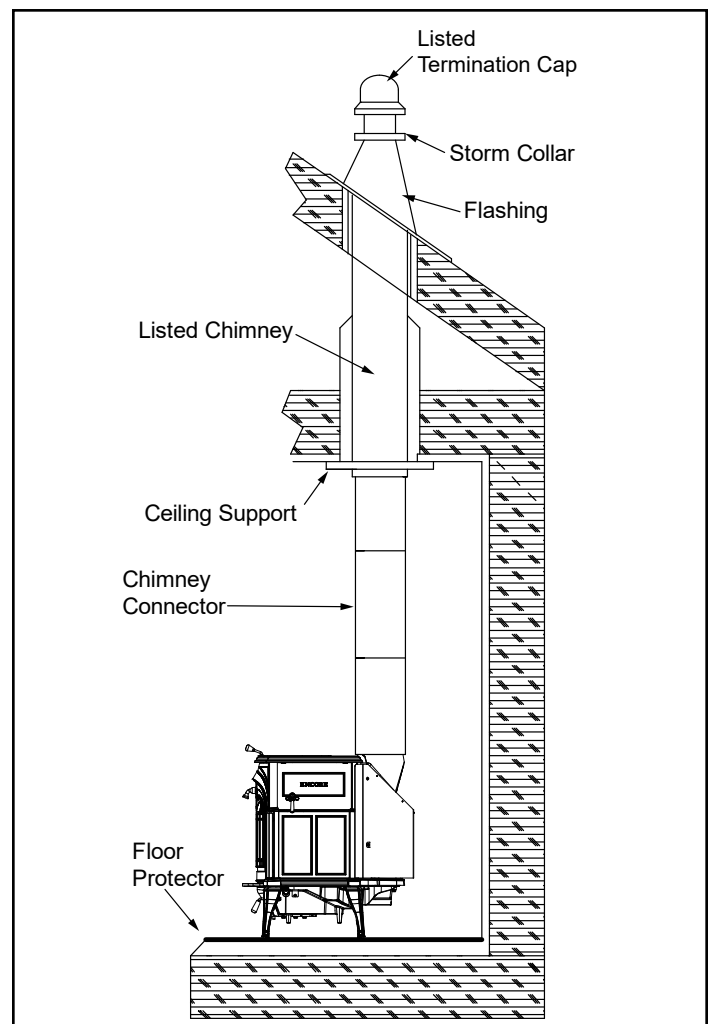


Figure 4.2 - Prefabricated Interior Chimney

Thimble

Site constructed for masonry chimney installation:

Components

- A minimum length of 12" (305 mm) (longer for thicker walls) of solid insulated factory-built chimney length constructed to UL 103 Type HT 6" (152 mm) inside diameter. Chimney needs to extend a minimum of 2" (51 mm) from the interior wall and a minimum of 1" (25 mm) from the exterior wall.
- Wall spacer, trim collar and wall band to fit solid pack chimney selected.
- Minimum 8" (203 mm) diameter clay liner section (if not already present in chimney) and refractory mortar.
- When jurisdiction requires install approved chimney liner in masonry chimney.

Air Clearances

- Masonry chimney clearance must meet NFPA 211 minimum requirement of 2" (51 mm) to sheet metal supports and combustibles.
- Minimum of 1" (25 mm) clearance around the chimney connector.
- Top of wall opening is a minimum of 13-1/2" (343 mm) from ceiling or 4-1/2" (114 mm) below minimum clearance specified by chimney connector manufacturer. NFPA 211 minimum vertical clearance of 18" (457mm) from chimney connector and ceiling or minimum recommended by chimney connector manufacturer, Figure 4.3

Instructions

1. Open inside wall at proper height for the chimney connector to enter the masonry chimney, Figure 4.3
2. Entry hole to masonry chimney must be lined with an 8" (203 mm) minimum diameter clay liner, or equivalent, secured with refractory mortar.
3. Construct a 17" x 17" (432 mm x 432 mm) outside dimension frame from 2 x 2 framing lumber to fit into wall opening. Inside opening of frame should be no less than 14" x 14" (356 mm x 356 mm), Figure 4.4. Attach the wall spacer to the chimney side of the frame.
5. Nail the frame into the wall opening. The spacer should be on the chimney side.
6. Insert the section of the solid insulated chimney into the outer wall of the masonry chimney.
7. Tightly secure the length of the solid insulated chimney with the wall band to the masonry chimney.
8. Insert a section of chimney connector into the chimney. Make sure it does not protrude past the edge of the clay chimney liner inside the chimney.
9. Seal the end of the chimney connector to the clay liner with refractory mortar.
10. Install trim collar around the sold pack chimney section.

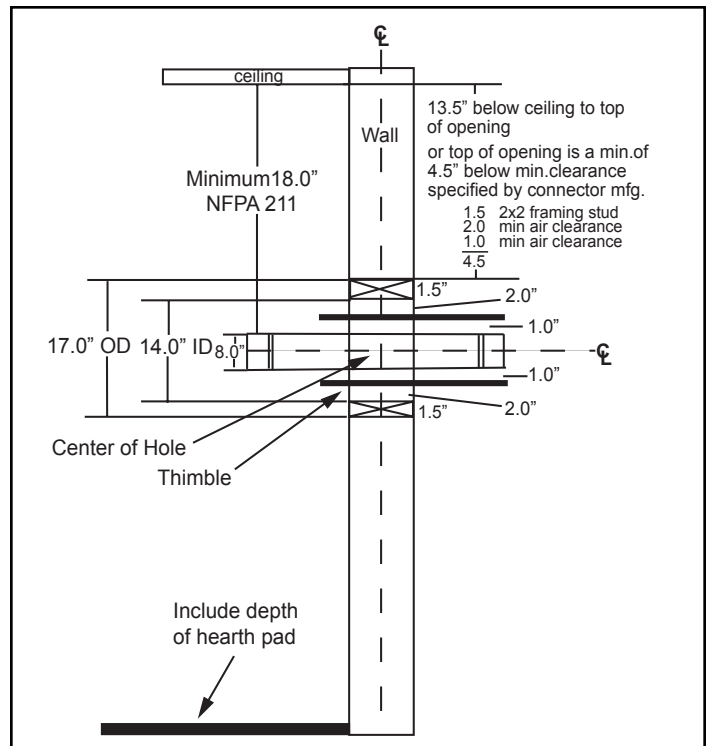


Figure 4.3

Solid Pack Chimney with Metal Supports as a Thimble

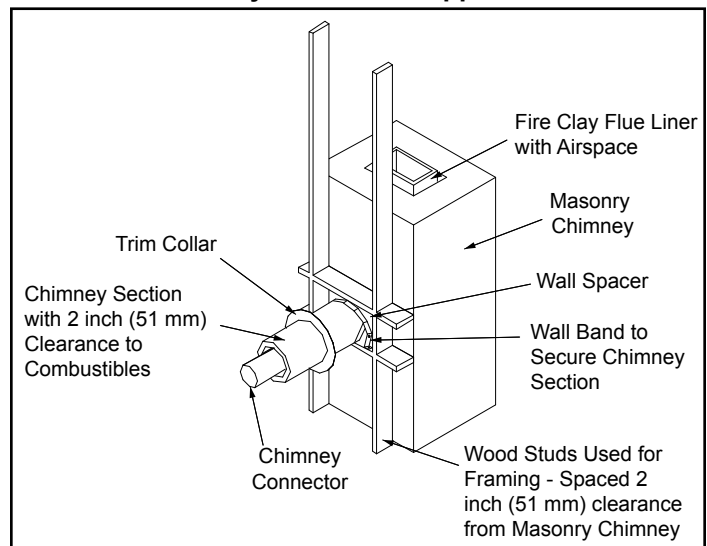


Figure 4.4

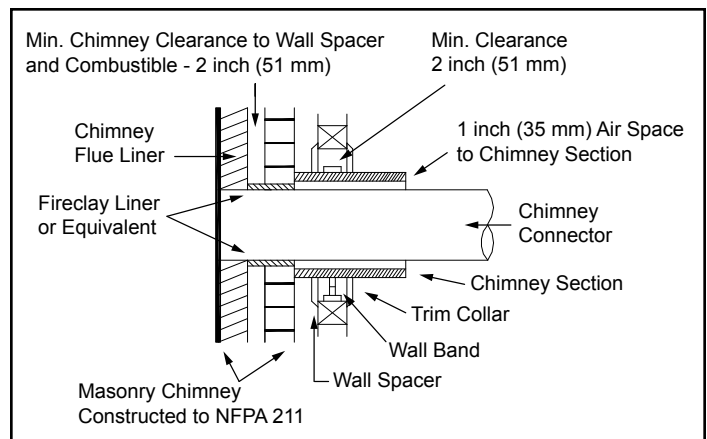


Figure 4.5

WARNING



Fire Risk

Do NOT pack insulation or other combustibles between spacers.

- ALWAYS maintain specified clearances around venting and spacers.
- Install spacers as specified.

Failure to keep insulation or other material away from vent pipe may cause fire.

WARNING



Fire Risk

Inspection of Chimney:

- Chimney must be in good condition.
- Meets minimum standard of NFPA 211
- Factory-built chimney must be 6" (152mm) UL103 HT.

WARNING



Asphyxiation Risk

- DO NOT CONNECT THIS Appliance TO A CHIMNEY FLUE SERVING ANOTHER APPLIANCE.
 - DO NOT CONNECT TO ANY AIR DISTRIBUTION DUCT OR SYSTEM.
- May allow flue gases to enter the house.

WARNING

Improper installation, adjustment, alteration, service or maintenance can cause injury or property damage. Refer to the owner's information manual provided with this appliance. For assistance or additional information consult a qualified installer, service agency or your dealer.

D. Installing Chimney Components

Chimney Connector

Single wall connector or appliance pipe

This must be at least 24 gauge mild steel or 26 gauge blue steel. The sections must be attached to the appliance and to each other with the crimped (male) end pointing toward the appliance. All joints, including the connection at the flue collar, should be secured with 3 sheet metal screws. Make sure to follow the minimum clearances to combustibles. Where passage through the wall, or partition of combustible construction is desired in Canada, the installation shall conform to CAN/CSA-B365.

Factory-built (Double-Wall) listed chimney connector

A listed connector (vented) must be used when installing this appliance in a mobile home. The listed connectors must conform to each other to ensure a proper fit and seal.

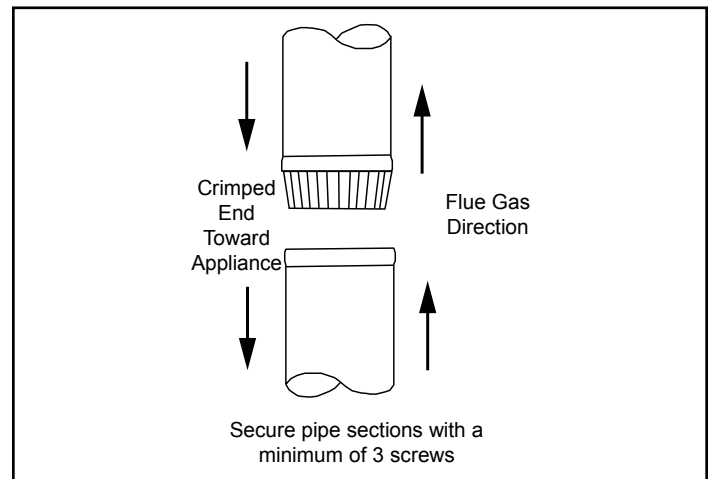


Figure 4.6 - Chimney Connector (Appliance Pipe)

WARNING



Fire Risk

Follow Chimney Connector Manufacturer's Instructions for Proper Installation.

ONLY use connector:

- Within the room, between appliance and ceiling or wall.
- Connector shall NOT pass through:
- Attic or roof space
 - Closet or similar concealed space
 - Floor or ceiling

Maintain minimum clearances to combustibles

5 Appliance Set-Up

A. Setting up your Stove

Remove the unit from the shipping brackets by removing (2) 1/4-20 hex head bolts from each shipping bracket, leaving brackets attached to the skid, Figure 5.1. (Save the 1/4-20 hex head bolts as they will be needed later to install heat shield.)

NOTE: When moving the stove, lift the stove to take weight off the legs whenever possible. Dragging or sliding the stove, especially across rough surfaces can cause the legs to loosen or even break.

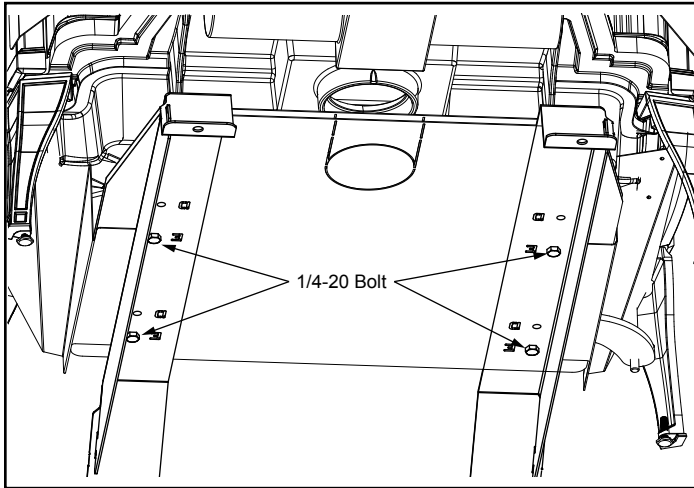


Figure 5.1 - Remove unit from shipping brackets.

Wipe the protective coating of oil from the griddle with a clean dry rag or a paper towel.

Install the handle on the griddle. First, place the griddle upside down at the edge of a flat surface and assemble the handle, Figure 5.2.

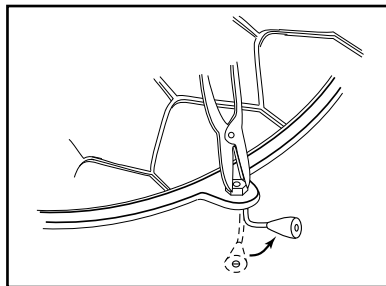


Figure 5.2 - Attach the griddle handle.

With the handle pointing 45° from its final position, tighten the nut as far as possible with the pliers. Move the handle to its final position while still holding the nut with the pliers.



CAUTION

Overtightening can strip tapped threads.

B. Assemble the Removable Insert Handle

The wooden removable insert handle opens and closes the front doors. Remove after each use, and store it in the handle holder behind the right front leg. Assemble the handle by passing the 3-3/8" screw through the wooden shaft and into the bright metal nub, Figure 5.3. Tighten carefully until snug.

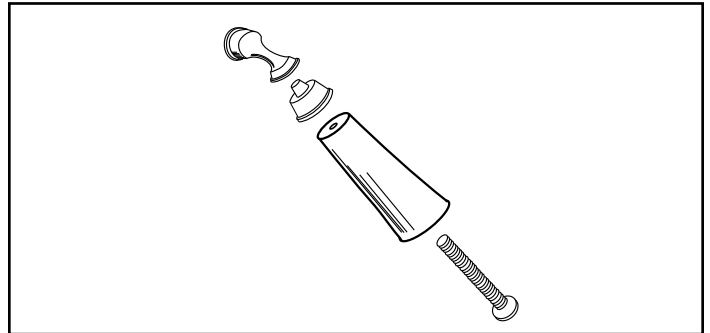


Figure 5.3 - Assemble the front door handle.

Storing the Handle

Use the removable handle to open or close the doors. After using it, remove the handle so it will not get hot. Store the handle in the handle holder installed behind the right front leg, Figure 5.4.

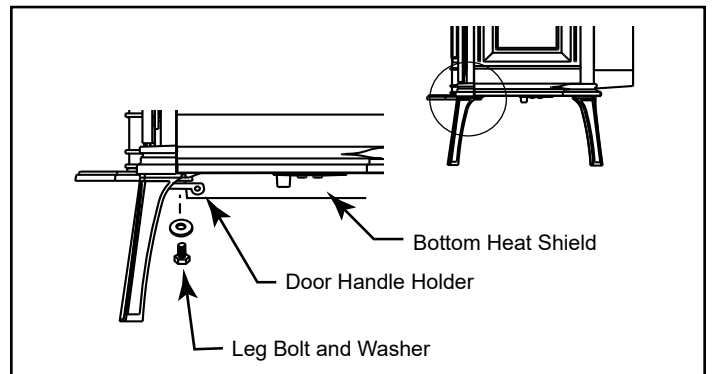


Figure 5.4 - Handle holder and heat shield positions.

C. Install the Bottom Heat Shield

NOTE: The Bottom Heat Shield is required in most installations. Refer to Floor Protection for further details.

1. Install (4) 1/4-20 x 3/8" hex bolts that were previously removed from the shipping brackets and install into the four holes located under the stove, Figure 5.5.
2. Align the bottom heat shield key holes to the four hex bolts previously installed into base, Figure 5.5. The outside air cutout hole should be toward the rear of the stove.
3. Attach the heat shield sides by passing the slots over the bolt heads. Tighten the hex head bolts, Figure 5.5.

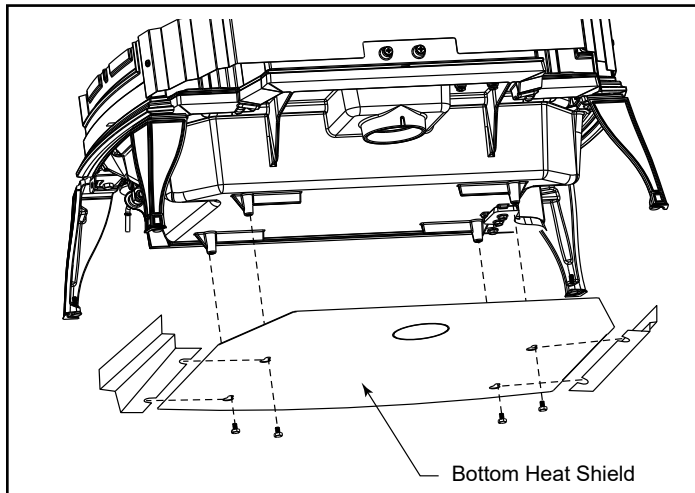


Figure 5.5 - Attach the bottom heat shield.

D. Adjust the Leg Levelers

Lift the stove slightly so there is no weight on the leg while making the adjustment.

E. Reverse Flue Collar (If necessary)

Remove the (4) sheet metal screws that hold the flue collar heat shield in place. Once heat shield is removed, remove the (2) screws that attach the flue collar to the back of the stove, Figure 5.6. Be sure the gasket around the flue collar opening is in position when you screw the collar back onto the stove.

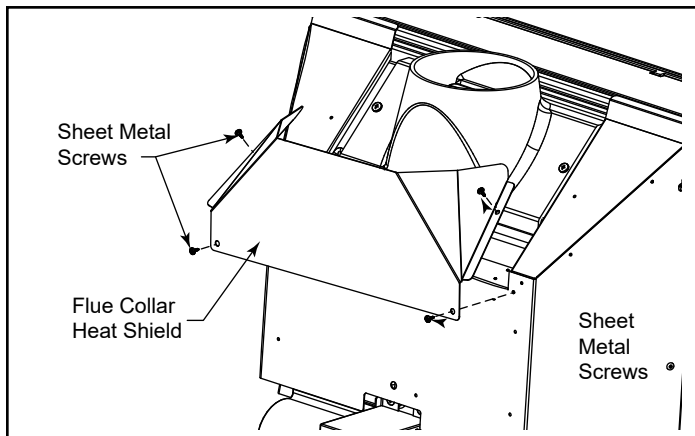


Figure 5.6 - Install flue collar heat shield.

WARNING

The flue collar heat shield must be installed in all vertical installations. The flue collar heat shield is not used when the flue collar is in the rear exit position.

F. Attach Damper Handle

Use the 1/4"-20 x 3" screw to attach the damper handle to the damper stub on the left side.

G. Install Catalyst Temperature Probe

To install the catalyst temperature probe, remove the hole plug from the cast iron wall behind the rear shield, Figure 5.7. Use two #10 sheet metal screws and bracket supplied, secure the bracket and probe to the back of your stove, Figure 5.7.

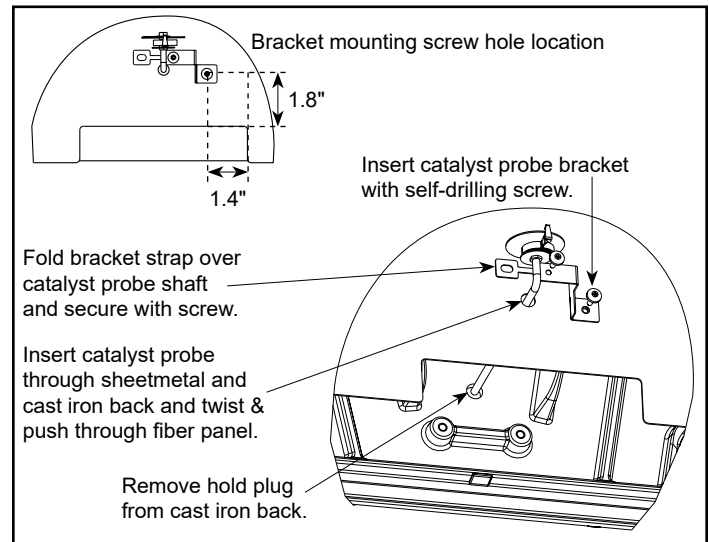


Figure 5.7

H. Attach Primary Air Thermostat Handle

The primary air thermostat handle is the smaller of the two black handles. Secure the handle to the stub on the right side of the stove with an 8-32 x 2" slot head machine screw, Figure 5.8.

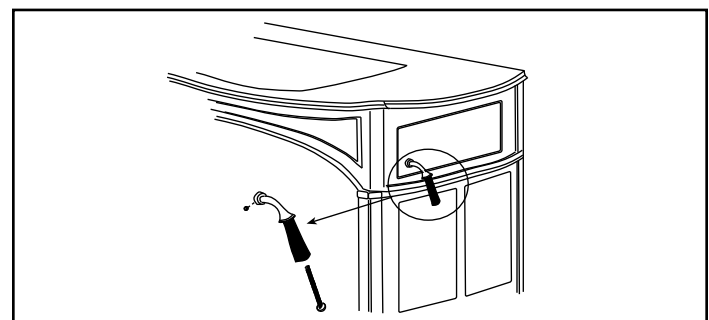


Figure 5.8

J. Installing/Removing Catalyst

1. Remove the access cover by gently lifting up and pulling out from the bottom edge, Figure 5.9.
2. Remove the inner cover by pulling it straight out, Figure 5.10.
3. Remove the catalyst by gently pulling it straight out, Figure 5.11. Place the catalyst where the catalyst's ceramic components will not be damaged.

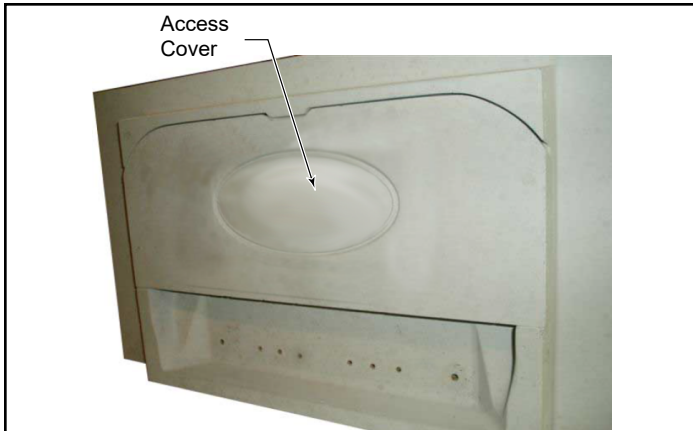


Figure 5.9 - Remove access cover.

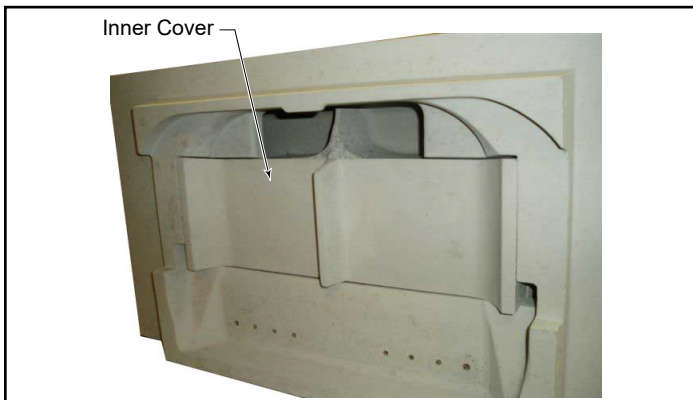


Figure 5.10 - Remove inner cover.



Figure 5.11 - Remove catalyst.

K. Outside Air Kit Installation

A source of air (oxygen) is necessary in order for combustion to take place. Whatever combustion air is consumed by the fire must be replaced. Air is replaced via air leakage around windows and under doors. In homes that have tightly sealed doors and windows, an outside air source is needed. An optional Outside Air Kit is available. An optional outside air kit is available

Items Needed for Installation (not supplied)

- Phillips head screw driver
- Outside air shield
- Wire ties
- Plastic outside air vent
- Flex / Rigid pipe
- Silicone sealant
- Drills and saws necessary for cutting holes through the wall or flooring in your home.

1. Remove all materials from packing box.
2. Using a #2 Phillips screw driver attach the flex adapter to the appliance using 4 screws. Figure 5.12 & 5.13.
3. Floor & Rear Installation: Cut a 3" (76 mm) hole in outside wall or floor to accommodate outside air piping. Use 3" (76 mm) aluminum metal flex or rigid piping to directly connect outside air to appliance intake. Use the supplied termination cap with a rodent screen. Seal between the wall (or floor) and the pipe with silicone to prevent moisture penetration.

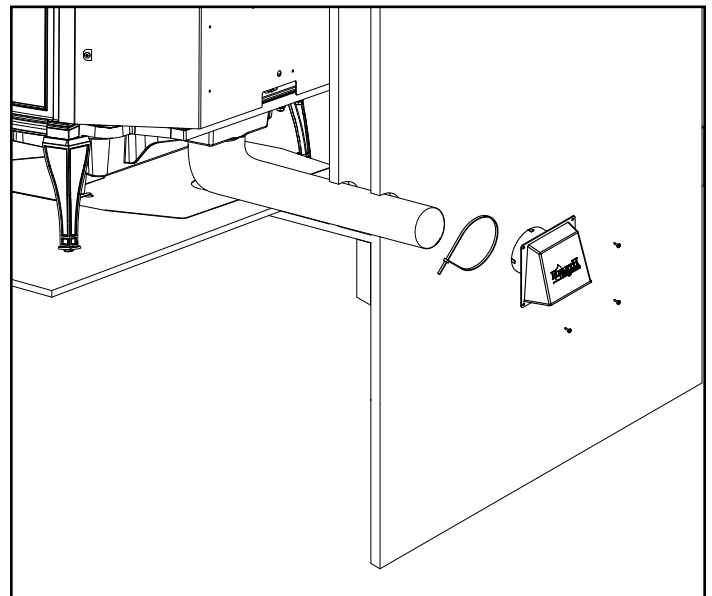


Figure 5.12 - Rear Installation

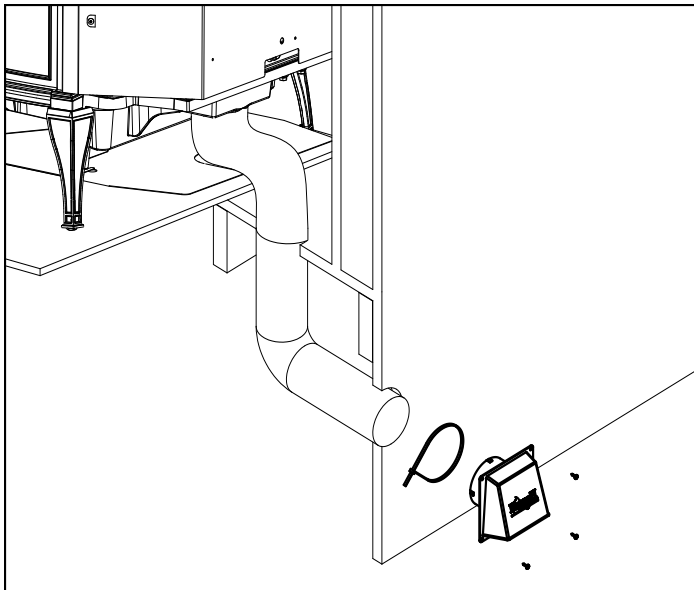


Figure 5.13 - Floor Installation

⚠ WARNING

Fire Risk
Asphyxiation Risk
 Do not draw outside combustion air from:

- Wall, floor or ceiling cavity
- Enclosed space such as an attic or garage
- Close proximity to exhaust vents or chimneys

Fumes or odor may result

⚠ WARNING

Asphyxiation Risk
 Outside air inlet must be located to prevent blockage from:

- Leaves
- Snow or ice
- Other debris

Blockage may cause combustion air starvation
 Smoke spillage may set off alarms or irritate sensitive individuals.

⚠ WARNING

Asphyxiation Risk
 Length of outside air supply duct shall NOT exceed the length of the vertical height of the exhaust flue.

- Fire will not burn properly
- Smoke spillage occurs when door is opened due to air starvation

L. Smoke and CO Detectors & Safety Tips

Smoke and CO Detectors

The use of smoke and carbon monoxide (CO) detectors throughout the home is strongly advised, even if not required by building codes or insurance regulations. It is a good idea to install a smoke detector in the living areas and each bedroom. Follow the smoke/CO detector manufactures placement and installation instructions and maintain regularly.

You may not, however, wish to install a detector in the immediate vicinity of the stove. Depending on the sensitivity of the unit, the alarm can be set off while you are tending the fire or emptying the ashes. If you install a detector in the same room, locate it as far away from the stove as possible.

Safety Tips

Conveniently locate a “Class A” fire extinguisher to contend with small fires. Be sure the fire extinguisher works and is clearly visible. All occupants of the house should know where it is, and how it operates. Have heavy stove gloves available near the stove. Have special safety accessories (e.g., Child Guard Screen) available for use if small children will be in the home.

In the event of a stove pipe or chimney fire....

- Evacuate the house immediately
- Notify the fire department
- If the fire isn't too threatening, closing down the stove tight, (damper, primary air, all doors) will help to smother the fire.
- Inspect your stove, vent pipe and chimney for any damage caused by the fire and correct any damage before using your stove again.

⚠ WARNING

Fire Risk

- Do not leave the fire unattended when the door is unlatched or when using the fire screen.
- Unstable firewood could fall out of the firebox creating a fire hazard to your home.

6 Mobile Home Installation

H. Mobile Home Installation

1. An outside air inlet must be provided for combustion and must remain clear of leaves, debris, ice and/or snow. It must be unrestricted while stove is in use to prevent room air starvation which can cause smoke spillage and an inability to maintain a fire. Smoke spillage can also set off smoke alarms.
2. The appliance must be secured to the mobile home structure by bolting it to the floor.
3. Stove must be grounded with #8 solid copper grounding wire or equivalent and terminated at each end with N.E.C. approved grounding device.
4. Stove must be installed with an approved UL103 HT ventilated chimney connector, UL103 HT chimney and terminal cap with spark arrestor. Never use a single wall connector (stove pipe) in a mobile home installation. Use only double-wall connector pipe, Dura-Vent DVL, Selkirk metalbestos DS, Security DL double wall connector or any listed double wall pipe connector.
5. Refer to the clearance charts in this manual or the serial number label on the back of the stove for clearances to combustibles.
6. Floor protection requirements must be followed precisely. Refer to the "Floor Protection" section in this manual.
7. In Canada, this appliance must be connected to a 6 inch (152 mm) factory-built chimney conforming to CAN/ULC 629M, STANDARD FOR FACTORY BUILT CHIMNEYS. Refer to the "Floor Protection" section in this manual.
8. Use silicone to create an effective vapor barrier at the location where the chimney or other component penetrates to the exterior of the structure.
9. Follow the chimney and chimney connector manufacturer's instructions when installing the flue system for use in a mobile home.

NOTE: Offsets from the vertical, not exceeding 45°, are allowed per Section 905(a) of the Uniform Mechanical Code (UMC). Offsets greater than 45° are considered horizontal and are also allowed, providing the horizontal run does not exceed 75% of the vertical height of the vent. Construction, clearance and termination must be in compliance with the UMC Table 9C. This installation also complies with NFPA 211.

NOTE: Top sections of the chimney must be removable to allow maximum clearance of 13.5 ft. (411 cm) from ground level for transportation purposes.

10. Burn wood only. Other types of fuels may generate poisonous gases (e.g. carbon monoxide).
11. If unit burns poorly while exhaust blower is on in home, (i.e. kitchen range hood) increase combustion air.

⚠ CAUTION

THE STRUCTURAL INTEGRITY OF THE MOBILE HOME FLOOR, WALL AND CEILING/ROOF MUST BE MAINTAINED

Do NOT cut through:

- Floor joist, wall, studs or ceiling trusses.
- Any supporting material that would affect the structural integrity.

⚠ WARNING

Asphyxiation Risk
NEVER INSTALL IN A SLEEPING ROOM.
Consumes oxygen in the room.

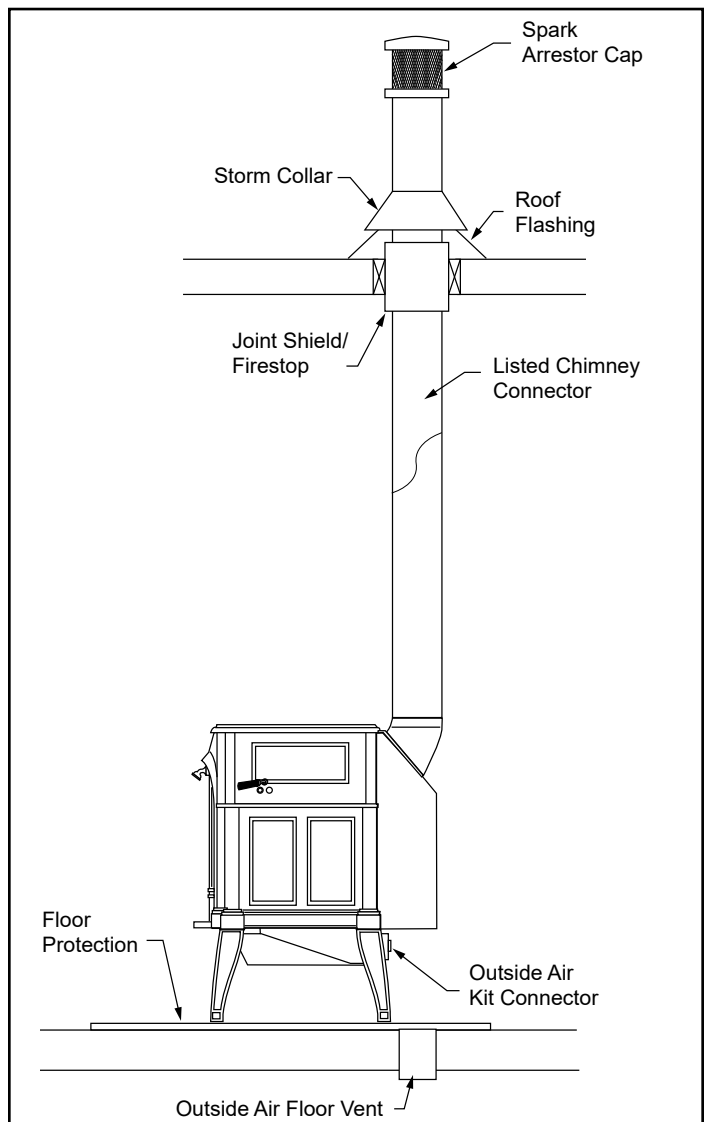


Figure 6.1

VERMONT CASTINGS

CONTACT INFORMATION
Hearth & Home Technologies
352 Mountain House Road
Halifax, PA 17032

Please contact your Vermont Castings dealer with any questions or concerns.
For the number of your nearest Vermont Castings dealer
log onto www.vermontcastings.com

CAUTION

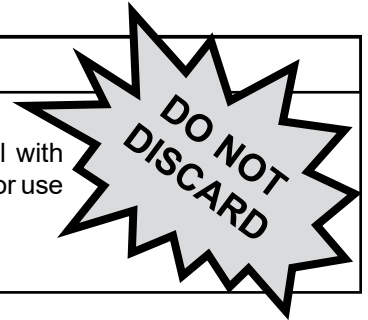


- Important operating and maintenance instructions included.

DO NOT DISCARD THIS MANUAL

- Read, understand and follow these instructions for safe installation and operation.

- Leave this manual with party responsible for use and operation.



We recommend that you record the following pertinent information for your heating appliance.

Date purchased/installed: _____

Serial Number: _____ Location on appliance: _____

Dealership purchased from: _____ Dealer phone: _____

Notes: _____

This product may be covered by one or more of the following patents: (United States) 5341794, 5263471, 6688302, 7216645, 7047962 or other U.S. and foreign patents pending.

