

PRODUCT SPECIFICATIONS

VFC32(L/C)(V/I) Symphony Vent Free Fireplace System



LOVE AT FIRST LIGHT



VFC32L with Cinnamon brick liner and decorative face



VFC32C with Black Magic liner and Diamond and Onyx fireglass

ACTUAL DIMENSIONS

- Actual size: 32"W x 30"H x 14½"D x 25¾"RW
(813 mm x 762 mm x 368 mm x 654 mm)
- Viewing area: 28¾"W x 19½"H
(730 mm x 495 mm)
- Framing Dimensions: 32½"W x 30¼"H x 13⅜"D
(826 mm x 768 mm x 340 mm)

STANDARD FEATURES

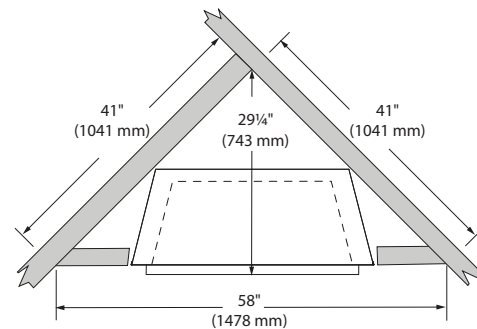
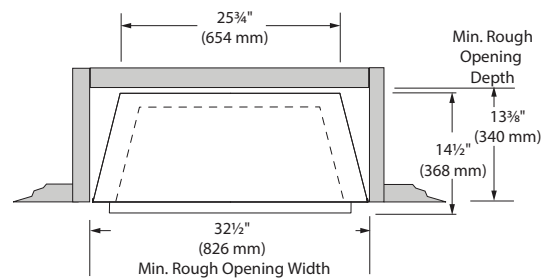
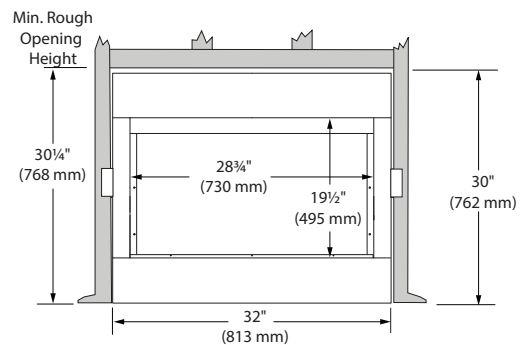
- Ventless design
- Available with exclusive five piece log set and Natural Blaze burner, or with stone and fireglass kit and a contemporary burner
- Zero clearance
- Mesh screen front
- Easy access control panel
- Millivolt or IPI control

FIELD INSTALLED ACCESSORIES

- Variety of fireglass media
- Cinnamon firebrick, Colonial Red firebrick, Black Magic or Black porcelain panels
- Decorative or Transitional face, Black
- Remote Controls — RCB, RCMT, TSMT, RCST, TSST
- Variable thermostat controlled blower, 160 cfm or 135 cfm

TECHNICAL INFORMATION

- BTU/HR Input: 28,000 Max. / 19,000 Min. (NG)
27,000 Max. / 22,000 Min. (LP)
- Ignition System: Millivolt or IPI Control
- Thermal Efficiency: Up to 99.9%
- Clearances - to Combustibles: 0" on all sides
firebox opening to combustible side wall: 9" minimum
firebox opening to ceiling: 42" minimum
Mantel clearance: 10" minimum
- Gas Line: 18" Flex line w/shut off 1/2" FPT
- CSA Design Certified



149 Cleveland Drive, Paris, Kentucky 40361
www.monessenhearth.com

To avoid personal injury or property damage, the product described by this brochure must be installed, operated and maintained in strict compliance with the instructions packaged with the product and all applicable building or fire codes. Contact local building or fire officials about restrictions and installation inspection requirements. All photographs and drawings on this brochure are for illustrative purposes only and are not intended for, nor should they be used as a substitute for the instructions packaged with the unit. Appearance and specifications of the product are subject to change without notice. 1215v2 © 2015 Hearth & Home Technologies.