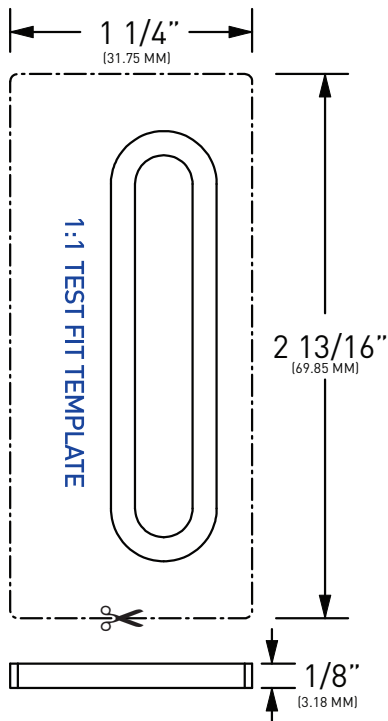
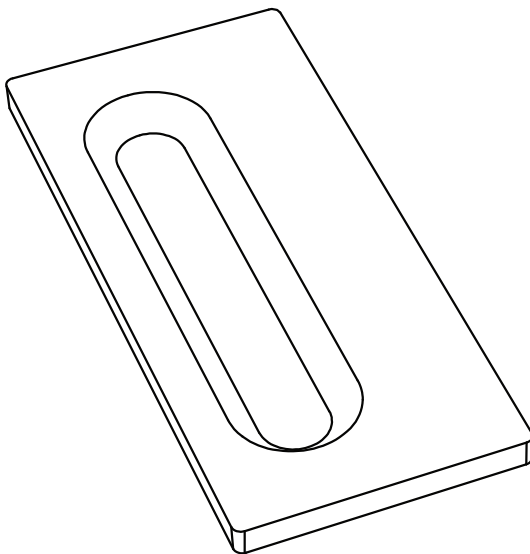


# PRECISION HEAT CONTROL RIGHT AT YOUR FINGERTIPS.

The perfect accessory to round out your Sargent Precision Heat System. Fabricated from stainless steel, these universal brackets include all mounting hardware and Velcro adhesive pad. They're great for all kinds of other accessories too!

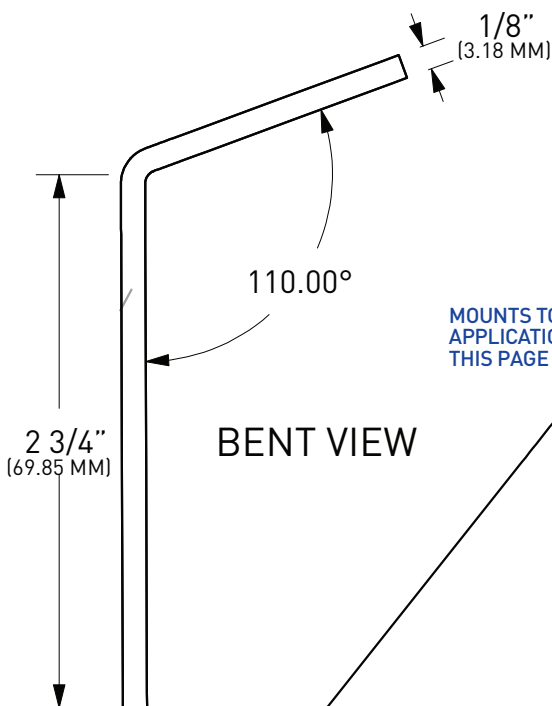


MOUNTS TO MOST HANDLEBAR CONTROL CLUSTERS. PRINT THIS PAGE AND CHECK FIT WITH 1:1 TEMPLATE (LEFT).

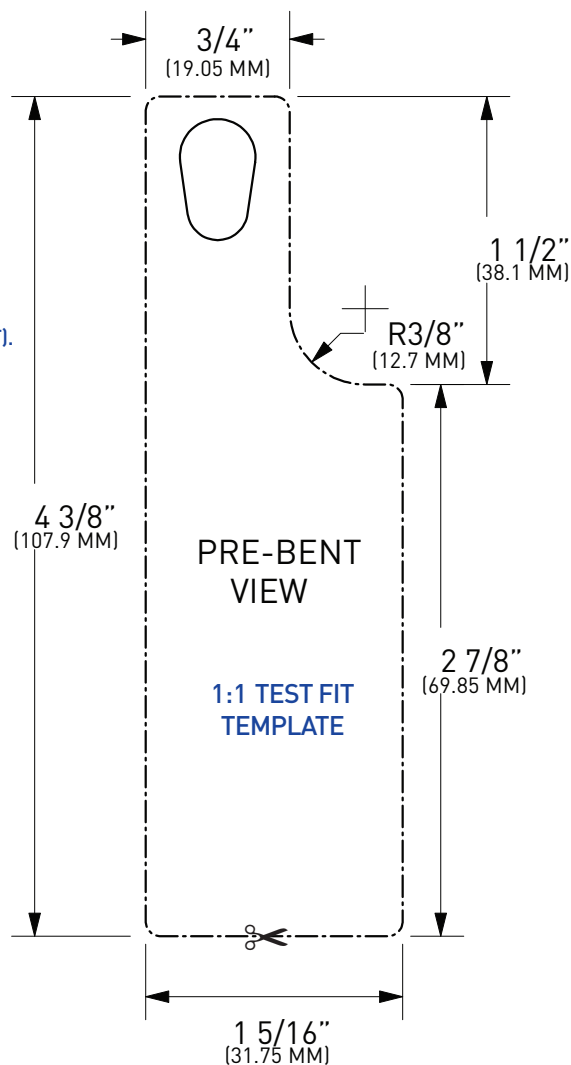
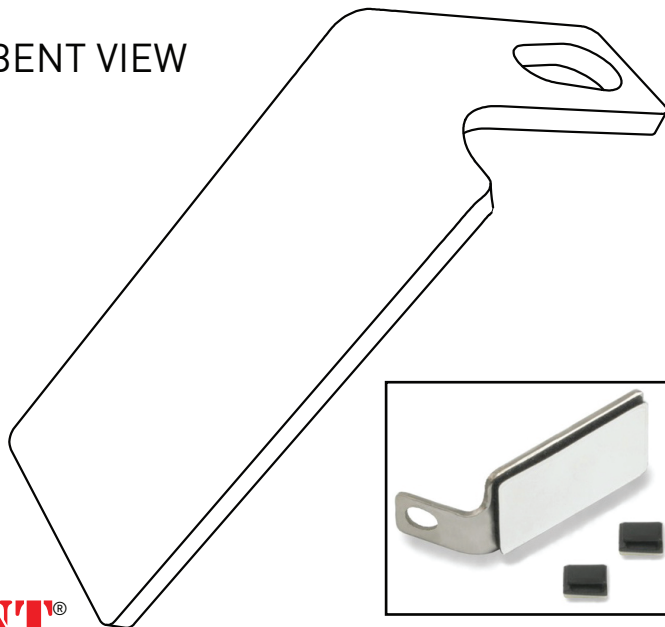


KIT INCLUDES ONE SAE 1/4-20 AND ONE METRIC M6 SCREW. PLEASE CHECK YOUR APPLICATION BEFORE ORDERING.

**PART NO. AC-HDLMNT-S-1-A**



MOUNTS TO MOST MIRROR STEMS. CHECK YOUR APPLICATION WITH OUR 1:1 TEMPLATE TOOL. PRINT THIS PAGE AND CHECK FIT WITH 1:1 TEMPLATE (RIGHT).



**SARGENT**<sup>®</sup>  
PREMIUM MOTORCYCLE SEATS

1-800-749-SEAT  
www.SargentCycle.com

**PART NO. AC-MIRMNT-D-1**