

**INSTALLER: LEAVE THIS MANUAL WITH THE APPLIANCE.  
 CONSUMER: RETAIN THIS MANUAL FOR FUTURE REFERENCE.  
 NEVER LEAVE CHILDREN OR OTHER AT RISK INDIVIDUALS ALONE WITH THE APPLIANCE.**

EN

FR  
 PG  
 41



# INSTALLATION AND OPERATING INSTRUCTIONS

CONFORMS TO AMERICAN NATIONAL STANDARDS: ANSI Z21.50, CERTIFIED TO CANADIAN CSA 2.22 FOR VENTED GAS FIREPLACES.

CERTIFIED FOR CANADA AND UNITED STATES USING ANSI/CSA METHODS.

## SAFETY INFORMATION

### **! WARNING**

If the information in these instructions are not followed exactly, a fire or explosion may result causing property damage, personal injury or loss of life.

- Do not store or use gasoline or other flammable vapors and liquids in the vicinity of this or any other appliance.
- **WHAT TO DO IF YOU SMELL GAS:**
  - Do not try to light any appliance.
  - Do not touch any electrical switch; do not use any phone in your building.
  - Immediately call your gas supplier from a neighbour's phone. Follow the gas supplier's instructions.
  - If you cannot reach your gas supplier, call the fire department.
- Installation and service must be performed by a qualified installer, service agency or the supplier.

This appliance may be installed in an aftermarket, permanently located, manufactured home (USA only) or mobile home, where not prohibited by local codes.

This appliance is only for use with the type of gas indicated on the rating plate. This appliance is not convertible for use with other gases, unless a certified kit is used.

Decorative Product: Not for use as a heating appliance.

APPLY SERIAL NUMBER LABEL FROM CARTON

Serial No. XXXXXX000000

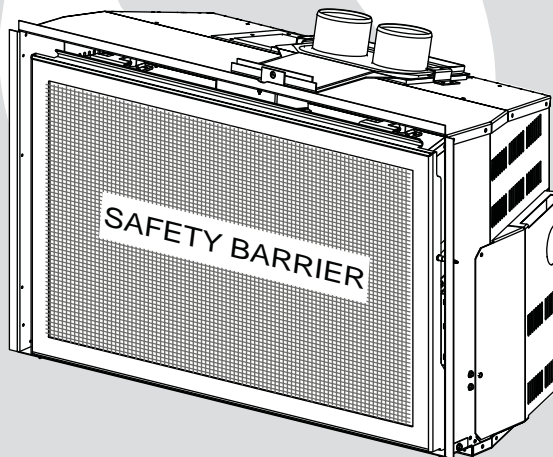
MODEL NO.



BARRIER



**IR3N-1**  
 NATURAL GAS  
**IR3P-1**  
 PROPANE



### **! WARNING**

**HOT GLASS WILL CAUSE BURNS.**



**DO NOT TOUCH GLASS UNTIL COOLED.**

**NEVER ALLOW CHILDREN TO TOUCH GLASS.**

**A barrier designed to reduce the risk of burns from the hot viewing glass is provided with the appliance and shall be installed.**

Wolf Steel Ltd., 24 Napoleon Rd., Barrie, ON, L4M 0G8 Canada /  
 103 Miller Drive, Crittenden, Kentucky, USA, 41030

Phone (705)721-1212 • Fax (705)722-6031 • [www.napoleonfireplaces.com](http://www.napoleonfireplaces.com) • [ask@napoleonproducts.com](mailto:ask@napoleonproducts.com)

# TABLE OF CONTENTS

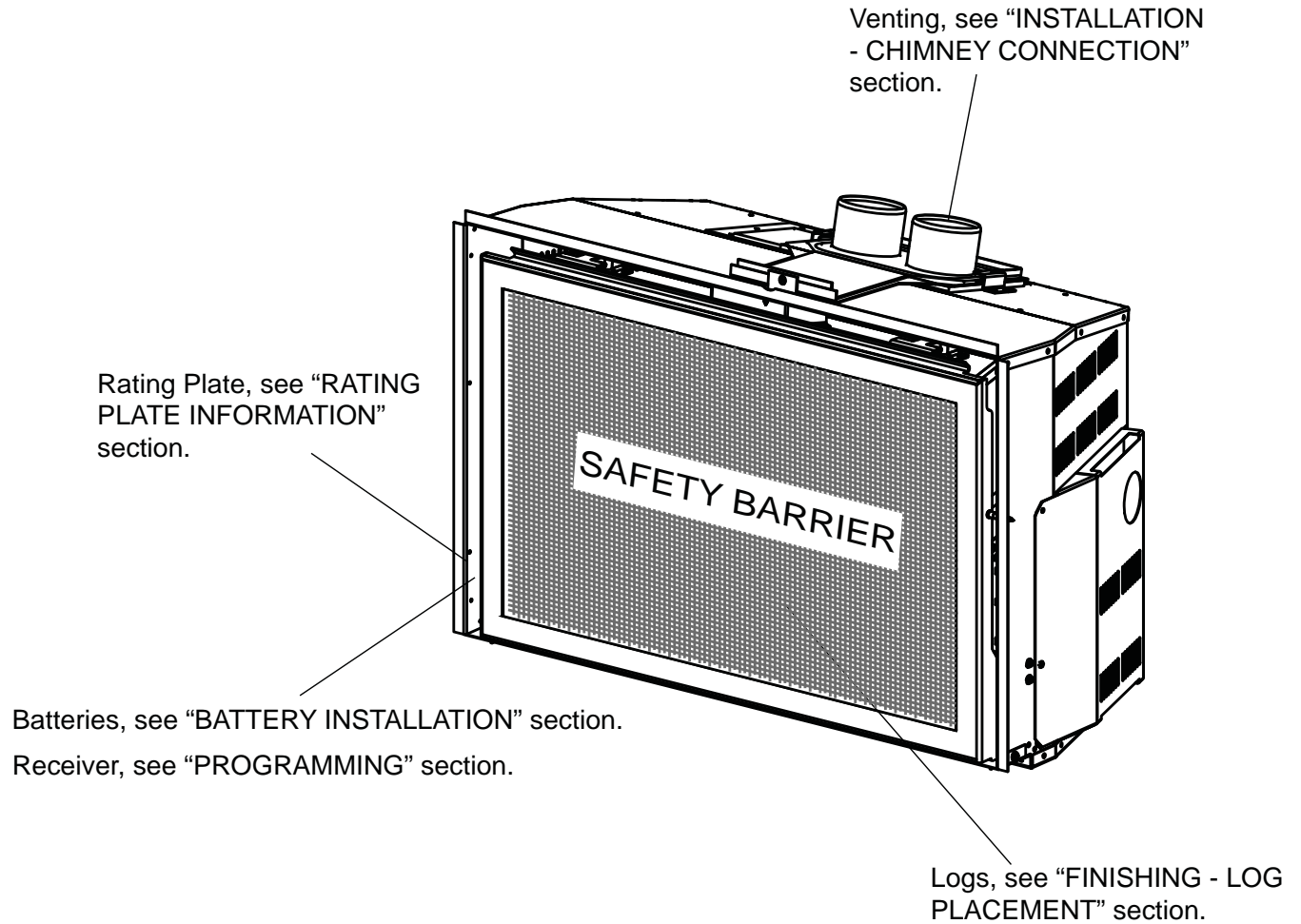


**NOTE:** The camera icon indicates video tutorials are available as additional reference, visit <http://www.napoleonfireplaces.com/category/product-support/support-centre/>

<b>1.0</b>	<b>INSTALLATION OVERVIEW</b>	<b>3</b>
<b>2.0</b>	<b>INTRODUCTION</b>	<b>4</b>
2.1	DIMENSIONS	5
2.2	MINIMUM CLEARANCE TO COMBUSTIBLES	5
2.3	GENERAL INSTRUCTIONS	5
2.4	GENERAL INFORMATION	6
2.5	RATING PLATE INFORMATION	7
<b>3.0</b>	<b>INSTALLATION</b>	<b>8</b>
3.1	LEVELLING THE APPLIANCE	8
3.2	CHIMNEY CONNECTION	9
3.3	GAS INSTALLATION	10
<b>4.0</b>	<b>FINISHING</b>	<b>11</b>
4.1	MINIMUM MANTEL CLEARANCES	11
4.2	SAFETY SCREEN & DOOR REMOVAL / INSTALLATION	12
4.3	LOG PLACEMENT	13
4.4	OPTIONAL ROCK PLACEMENT	14
4.5	GLOWING EMBERS	14
4.6	LOGO PLACEMENT	14
4.7	BATTERY INSTALLATION	14
<b>5.0</b>	<b>ELECTRICAL INFORMATION</b>	<b>15</b>
5.1	WIRING DIAGRAM	15
<b>6.0</b>	<b>OPERATION</b>	<b>16</b>
6.1	OPERATING AND LIGHTING INSTRUCTIONS	16
6.2.1	GENERAL REMOTE TRANSMITTER LAYOUT	17
6.2.2	PROGRAMMING	17
6.2	OPERATION	17
6.2.3	TURNING "ON" THE APPLIANCE	18
6.2.4	TURNING "OFF" THE APPLIANCE	18
6.2.5	HAND HELD REMOTE TRANSMITTER OPERATIONS	18
6.2.6	TEMPERATURE DISPLAY	18
6.2.8	SETTING THE TIME	19
6.2.9	SETTING THE TIMER FUNCTION	19
6.2.10	FLAME HEIGHT	19
6.2.7	LOW BATTERY	19
<b>7.0</b>	<b>ADJUSTMENTS</b>	<b>20</b>
7.1	PILOT BURNER ADJUSTMENT	20
7.2	VENTURI ADJUSTMENT	20
7.3	FLAME CHARACTERISTICS	20
7.4	LP CONVERSION	21
<b>8.0</b>	<b>MAINTENANCE</b>	<b>22</b>
8.3	ANNUAL MAINTENANCE	23
8.1	CARE OF GLASS	23
8.2	CARE OF PLATED PARTS	23
8.4	DOOR GLASS REPLACEMENT	24
8.5	BURNER REMOVAL	25
8.6	VALVE TRAIN REPLACEMENT	25
<b>9.0</b>	<b>REPLACEMENTS</b>	<b>26</b>
<b>10.0</b>	<b>OVERVIEW</b>	<b>27</b>
<b>11.0</b>	<b>ACCESSORIES</b>	<b>29</b>
<b>12.0</b>	<b>VALVE TRAIN ASSEMBLY</b>	<b>31</b>
<b>13.0</b>	<b>VENTING</b>	<b>32</b>
<b>14.0</b>	<b>TROUBLESHOOTING</b>	<b>33</b>
<b>15.0</b>	<b>WARRANTY</b>	<b>36</b>
<b>16.0</b>	<b>SERVICE HISTORY</b>	<b>37</b>
<b>17.0</b>	<b>NOTES</b>	<b>38</b>

**NOTE:** changes, other than editorial, are denoted by a vertical line in the margin.

# 1.0 INSTALLATION OVERVIEW



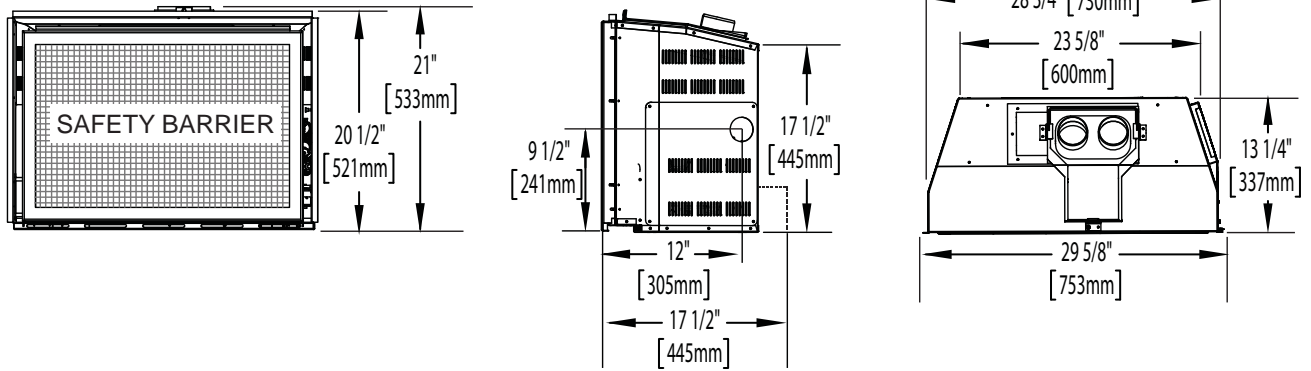
Batteries must be disposed of according to the local laws and regulations. Some batteries may be recycled, and may be accepted for disposal at your local recycling center. Check with your municipality for recycling instructions.

## ! WARNING

- **THIS APPLIANCE IS HOT WHEN OPERATED AND CAN CAUSE SEVERE BURNS IF CONTACTED.**
- **ANY CHANGES OR ALTERATIONS TO THIS APPLIANCE OR ITS CONTROLS CAN BE DANGEROUS AND IS PROHIBITED.**
- Do not operate appliance before reading and understanding operating instructions. Failure to operate appliance according to operating instructions could cause fire or injury.
- Risk of fire or asphyxiation do not operate appliance with fixed glass removed.
- Do not connect 110 volts to the control valve.
- Risk of burns. The appliance should be turned off and cooled before servicing.
- Do not install damaged, incomplete or substitute components.
- Risk of cuts and abrasions. Wear protective gloves and safety glasses during installation. Sheet metal edges may be sharp.
- Do not burn wood or other materials in this appliance.
- **Children and adults should be alerted to the hazards of high surface temperature and should stay away to avoid burns or clothing ignition.**
- **Young children should be carefully supervised when they are in the same room as the appliance. Toddlers, young children and others may be susceptible to accidental contact burns. A physical barrier is recommended if there are at risk individuals in the house. To restrict access to an appliance, install an adjustable safety gate to keep toddlers, young children and other at risk individuals out of the room and away from hot surfaces.**
- **Clothing or other flammable material should not be placed on or near the appliance.**
- **Due to high temperatures, the appliance should be located out of traffic and away from furniture and draperies.**
- Ensure you have incorporated adequate safety measure to protect infants/toddlers from touching hot surfaces.
- Even after the appliance is out, the glass and/or screen will remain hot for an extended period of time.
- Check with your local hearth specialty dealer for safety screens and hearth guards to protect children from hot surfaces. These screens and guards must be fastened to the floor.
- **Any safety screen, guard or barrier removed for servicing the appliance, must be replaced prior to operating the appliance.**
- The appliance is a vented gas-fired appliance. Do not burn wood or other materials in the appliance
- It is imperative that the control compartments, burners and circulating blower and its passageway in the appliance and venting system are kept clean. The appliance and its venting system should be inspected before use and at least annually by a qualified service person. More frequent cleaning may be required due to excessive lint from carpeting, bedding material, etc. The appliance area must be kept clear and free from combustible materials, gasoline and other flammable vapors and liquids.
- Under no circumstances should this appliance be modified.
- This appliance must not be connected to a chimney flue pipe serving a separate solid fuel burning appliance.
- Do not use this appliance if any part has been under water. Immediately call a qualified service technician to inspect the appliance and to replace any part of the control system and any gas control which has been under water.
- Do not operate the appliance with the glass door removed, cracked or broken. Replacement of the glass should be done by a licensed or qualified service person.
- Do not strike or slam shut the appliance glass door.
- When equipped with pressure relief doors, they must be kept closed while the appliance is operating to prevent exhaust fumes containing carbon monoxide, from entering into the home. Temperatures of the exhaust escaping through these openings can also cause the surrounding combustible materials to overheat and catch fire.
- **Only doors / optional fronts certified with the appliance are to be installed on the appliance.**
- Keep the packaging material out of reach of children and dispose of the material in a safe manner. As with all plastic bags, these are not toys and should be kept away from children and infants.
- As with any combustion appliance, we recommend having your appliance regularly inspected and serviced as well as having a Carbon Monoxide Detector installed in the same area to defend you and your family against Carbon Monoxide.
- Ensure clearances to combustibles are maintained when building a mantel or shelves above the appliance. Elevated temperatures on the wall or in the air above the appliance can cause melting, discoloration or damage of decorations, a T.V. or other electronic components.
- **A barrier designed to reduce the risk of burns from the hot viewing glass is provided with this appliance and shall be installed.**
- **If the barrier becomes damaged, the barrier shall be replaced with the manufacturer's barrier for this appliance.**
- **Installation and repair should be done by a qualified service person. The appliance should be inspected before use and at least annually by a professional service person. More frequent cleaning may be required due to excessive lint from carpeting, bedding material, etc. It is imperative that control compartments, burners and circulating air passageways of the appliance be kept clean.**

3.2C

## 2.1 DIMENSIONS



## 2.2 MINIMUM CLEARANCE TO COMBUSTIBLES

This appliance must be recessed into a vented noncombustible wood-burning appliance (prefabricated or masonry) only. The minimum appliance opening size in which the appliance is to be installed is:

**HEIGHT 21 1/2" (546mm) WIDTH 29" (737mm) DEPTH \*13 1/2" (343mm)**

**The minimum allowable chimney flue size is 7" (178mm) round.**

**\*Add 4" (102mm) for optional blower.**

The minimum distance, from the bottom of a combustible mantel projecting 3" (76mm) maximum from the wall to the top of the appliance, is 14" (356mm) (See MINIMUM MANTEL CLEARANCES section).

**NOTE:** A NON-COMBUSTIBLE HEARTH MUST PROTRUDE A MINIMUM OF 12" (305mm) FROM THE APPLIANCE.

## 2.3 GENERAL INSTRUCTIONS

<b>! WARNING</b>
<b>ALWAYS LIGHT THE PILOT WHETHER FOR THE FIRST TIME OR IF THE GAS SUPPLY HAS RUN OUT, WITH THE GLASS DOOR OPENED OR REMOVED.</b>
<b>PROVIDE ADEQUATE CLEARANCE FOR SERVICING AND OPERATING THE APPLIANCE.</b>
<b>PROVIDE ADEQUATE VENTILATION.</b>
<b>NEVER OBSTRUCT THE FRONT OPENING OF THE APPLIANCE.</b>
<b>OBJECTS PLACED IN FRONT OF THE APPLIANCE MUST BE KEPT A MINIMUM OF 48" (1219mm) FROM THE FRONT FACE OF THE APPLIANCE.</b>
<b>SURFACES AROUND AND ESPECIALLY ABOVE THE APPLIANCE CAN BECOME HOT. AVOID CONTACT WHEN THE APPLIANCE IS OPERATING.</b>
<b>FIRE RISK. EXPLOSION HAZARD.</b>
<b>HIGH PRESSURE WILL DAMAGE VALVE. DISCONNECT GAS SUPPLY PIPING BEFORE PRESSURE TESTING GAS LINE AT TEST PRESSURES ABOVE 1/2 PSIG. CLOSE THE MANUAL SHUT-OFF VALVE BEFORE PRESSURE TESTING GAS LINE AT TEST PRESSURES EQUAL TO OR LESS THAN 1/2 PSIG (35 mb).</b>
<b>USE ONLY WOLF STEEL APPROVED OPTIONAL ACCESSORIES AND REPLACEMENT PARTS WITH THIS APPLIANCE. USING NON-LISTED ACCESSORIES (BLOWERS, DOORS, LOUVRES, TRIMS, GAS COMPONENTS, VENTING COMPONENTS, ETC.) COULD RESULT IN A SAFETY HAZARD AND WILL VOID THE WARRANTY AND CERTIFICATION.</b>

**THIS GAS APPLIANCE SHOULD BE INSTALLED AND SERVICED BY A QUALIFIED INSTALLER** to conform with local codes. Installation practices vary from region to region and it is important to know the specifics that apply to your area, for example in Massachusetts State:

- This product must be installed by a licensed plumber or gas fitter when installed within the commonwealth of Massachusetts.
- The appliance damper must be removed or welded in the open position prior to installation of an appliance insert or gas log.
- The appliance off valve must be a "T" handle gas cock.
- The flexible connector must not be longer than 36 inches (914mm).
- A Carbon Monoxide detector is required in all rooms containing gas fired appliances.
- The appliance is not approved for installation in a bedroom or bathroom unless the unit is a direct vent sealed combustion product.

The installation must conform with local codes or, in absence of local codes, the National Gas and Propane Installation Code CSA B149.1 in Canada, or the National Fuel Gas Code, ANSI Z223.1 / NFPA 54 in the United States. Suitable for mobile home installation if installed in accordance with the current standard CAN/CSA Z240MH Series, for gas equipped mobile homes, in Canada or ANSI Z223.1 and NFPA 54 in the United States.

As long as the required clearance to combustibles is maintained, the most desirable and beneficial location for an appliance is in the center of a building, thereby allowing the most efficient use of the heat created. The location of windows, doors and the traffic flow in the room where the appliance is to be located should be considered. If possible, you should choose a location where the vent will pass through the house without cutting a floor or roof joist.

If the appliance is installed directly on carpeting, vinyl tile or other combustible material other than wood flooring, the appliance shall be installed on a metal or wood panel extending the full width and depth.

Some appliances have optional fans or blowers. If an optional fan or blower is installed, the junction box must be electrically connected and grounded in accordance with local codes, use the current CSA C22.1 Canadian Electrical Code in Canada or the ANSI/NFPA 70 National Electrical Code in the United States.

4.1B

## 2.4 GENERAL INFORMATION

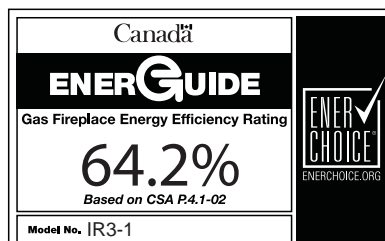
**FOR YOUR SATISFACTION, THIS APPLIANCE HAS BEEN TEST-FIRED TO ASSURE ITS OPERATION AND QUALITY!**

IR3-1		
	NG	LP
Altitude (FT)	0-4,500	0-4,500
Max. Input (BTU/HR)	24,000	24,000
Max. Output (BTU/HR)	18,480	18,480
Efficiency (w/the fan on)	77%	77%
A.F.U.E. (maximum value)	76%	76%
Min. Inlet Gas Supply Pressure	4.5" Water Column (11mb)	11" Water Column (27mb)
Max. Inlet Gas Supply Pressure	7" Water Column (17mb)	13" Water Column (32mb)
Manifold Pressure (Under Flow Conditions)	3.5" Water Column (9mb)	10" Water Column (25mb)

When the appliance is installed at elevations above 4,500ft (1372m), and in the absence of specific recommendations from the local authority having jurisdiction, the certified high altitude input rating shall be reduced at the rate of 4% for each additional 1,000ft (305m). Expansion / contraction noises during heating up and cooling down cycles are normal and to be expected.

This appliance is not approved for closet or recessed installations. It is approved for bathroom, bedroom and bed-sitting room installations and is suitable for mobile homes. The natural gas model is suitable for installation in a mobile home that is permanently positioned on its site and fuelled with natural gas.

**A barrier designed to reduce the risk of burns from the hot viewing glass is provided with the appliance and shall be installed.**



**NATIONAL  
FIREPLACE  
INSTITUTE**



**CERTIFIED**

www.nficertified.org


We suggest that our gas hearth products be installed and serviced by professionals who are certified in the U.S. by the National Fireplace Institute® (NFI) as NFI Gas Specialists

## 2.5 RATING PLATE INFORMATION


CONFORMS TO / CONFORME AUX: ANSI Z21.50-2014, CERTIFIED TO / CERTIFIE CSA 2.22-2014 VENTED GAS FIREPLACE / FOYER A GAZ VENTILE.

DO NOT TURN ON IF CHILDREN OR OTHER AT RISK INDIVIDUALS ARE NEAR THE FIREPLACE. DIRECT VENT GAS FIREPLACE, SUITABLE FOR BEDROOM, BATHROOM AND BED-SITTING ROOM INSTALLATION. SUITABLE FOR MOBILE HOME INSTALLATION IF INSTALLED IN ACCORDANCE WITH THE CURRENT STANDARD CAN/CSA Z240MH SERIES GAS EQUIPPED MOBILE HOMES, IN CANADA OR IN THE UNITED STATES THE MANUFACTURED HOME CONSTRUCTION AND SAFETY STANDARD, TITLE 24 CFR, PART 3280. WHEN THIS US STANDARD IS NOT APPLICABLE USE THE STANDARD FOR FIRE SAFETY CRITERIA FOR MANUFACTURED HOME INSTALLATIONS, SITES AND COMMUNITIES, ANSI / NFPA 501A. FOR USE ONLY WITH BARRIER W565-0133. FOLLOW THE INSTALLATION INSTRUCTIONS LOCATED IN THE INSTALLATION MANUAL.

NE PAS ALLUMER SI DES ENFANTS OU D'AUTRES INDIVIDUS A RISQUE SONT A PROXIMITE DU FOYER. FOYER A GAZ VENTILE. HOMOLOGUE POUR L'INSTALLATION DANS UNE CHAMBRE A COUCHER, UNE SALLE DE BAIN, UN STUDIO. APPROPRIE POUR L'INSTALLATION DANS UNE MAISON MOBILE SI SON INSTALLATION EST CONFORME AUX EXIGENCES DE LA NORME CAN/CSA Z240MH SERIE DE MAISONS MOBILES EQUIPEES AU GAZ. EN VIGUEUR AU CANADA, OU AUX ETATS UNIS, SELON LA NORME DE SECURITE ET DE CONSTRUCTION DE MAISONS MANUFACTUREES, TITRE 24 CFR, SECTION 3280. DANS LE CAS OU CETTE NORME DES ETATS-UNIS NE PEUT ETRE APPLIQUEE, SE REFERER A LA NORME RELATIVE AU CRITERE DE MESURES DE SECURITE CONTRE L'INCENDIE POUR LES INSTALLATIONS DANS LES MAISONS MANUFACTUREES, LES SITES ET LES COMMUNAUTES, ANSINFPA 501A. POUR UNE UTILISER SEULEMENT AVEC BARRIERE W565-0133. SUIVEZ LES INSTRUCTIONS D'INSTALLATION SE TROUVENT DANS LE MANUEL D'INSTALLATION.



CERTIFIED FOR  
CERTIFIEE POUR



CANADA USA

REFERENCE #161746

**NATURAL GAS / GAZ MODEL**

IR3N       CIR3N

4500FT (0-1370m)  
24,000 BTU/h  
18,000 BTU/h

MANIFOLD PRESSURE: 3.5" WATER COLUMN  
PRESSION AU COLLECTEUR: 3.5" D'UNE COLONNE D'EAU

MINIMUM SUPPLY PRESSURE: 4.5" WATER COLUMN  
PRESSION D'ALIMENTATION MINIMALE: 4.5" D'UNE COLONNE D'EAU

MAXIMUM SUPPLY PRESSURE: 7.0" WATER COLUMN  
PRESSION D'ALIMENTATION MAXIMALE: 7.0" D'UNE COLONNE D'EAU

**PROPANE MODEL**

IR3P       CIR3P

4500FT (0-1370m)  
24,000 BTU/h  
18,000 BTU/h

MANIFOLD PRESSURE: 10" WATER COLUMN  
PRESSION AU COLLECTEUR: 10" D'UNE COLONNE D'EAU

MINIMUM SUPPLY PRESSURE: 11" WATER COLUMN  
PRESSION D'ALIMENTATION MINIMALE: 11" D'UNE COLONNE D'EAU

MAXIMUM SUPPLY PRESSURE: 13" WATER COLUMN  
PRESSION D'ALIMENTATION MAXIMALE: 13" D'UNE COLONNE D'EAU

**MODEL**      ALTITUDE/ELEVATION INPUT/ALIMENTATION REDUCITE

**THIS VENTED GAS FIREPLACE IS NOT FOR USE WITH AIR FILTERS. FOR USE WITH GLASS DOORS CERTIFIED FOR THIS UNIT ONLY. NOT FOR USE WITH SOLID FUEL.**

**CE FOYER A GAZ VENTILES NE DOIT PAS ETRE UTILISE CONJOINTEMENT AVEC DES FILTRES A AIR. UTILISER AVEC LES PORTES VITREES HOMOLOGUEES AVEC CETTE UNITE SEULEMENT. UN COMBUSTIBLE SOLIDE NE DOIT PAS ETRE UTILISE AVEC CET APPAREIL.**

**WARNING: DO NOT ADD ANY MATERIAL TO THE APPLIANCE THAT WILL COME IN CONTACT WITH THE FLAMES, OTHER THAN THAT SUPPLIED BY THE MANUFACTURER WITH THE APPLIANCE.**

**AVERTISSEMENT: NA JOUEZ PAS A CET APPAREIL AUCUN MATERIAU DEVANT ENTRER EN CONTACT AVEC LES FLAMMES AUTRE QUE CELUI QUI EST FOURNI AVEC CET APPAREIL PAR LE FABRICANT.**

DECORATIVE PRODUCT: NOT FOR USE AS A HEATING APPLIANCE!  
ELECTRICAL RATING: 115V 1.5AMP 60HZ  
THE APPLIANCE MUST BE VENTED USING THE APPROPRIATE WOLF STEEL VENT KITS. SEE OWNER'S INSTALLATION MANUAL FOR VENTING SPECIFICS. PROPER REINSTALLATION AND RESEALING IS NECESSARY AFTER SERVICING THE VENT AIR INTAKE SYSTEM.

CLASS : 115V, 1.5AMP, 60HZ  
L'APPAREIL DOIT EVACUER SES GAZ EN UTILISANT L'ENSEMBLE D'EVACUATION PROPRE A WOLF STEEL. REFERER AU MANUEL D'INSTALLATION DE PROPRIETAIRE POUR L'EVACUATION PRECISE. IL EST IMPORTANT DE BIEN REINSTALLER ET RESCELLER L'EVENT APRES AVOIR ASSURE LE MAINTIEN DU SYSTEME DE PRISE D'AIR.

**WARNING: FOR INSTALLATION INTO A VENTED NON-COMBUSTIBLE FIREPLACE ONLY THE MINIMUM FIREPLACE SIZE IS: HEIGHT 20.5", DEPTH 13.25" WIDTH 29". THE MINIMUM INSIDE FLUE SIZE IS 6". THE MINIMUM DISTANCE FROM THE BOTTOM OF A COMBUSTIBLE MATERIAL PROJECTING A MAXIMUM 3" FROM THE WALL TO THE TOP OF THE UNIT IS 12". SEE OWNER'S MANUAL FOR GREATER EXTENSIONS.**

ATTENTION : POUR L'INSTALLATION DANS UN FOYER VENTILE EN MACONNERIE. LES DIMENSIONS MINIMUMS SONT: HAUTEUR 19.75", PROFONDEUR 13.25", LARGEUR 29". LE DIAMETRE INTERIEUR MINIMUM DE CONDUIT D'EVACUATION EST DE 6". LA DISTANCE MINIMALE, DU BAS DU MANTEAU COMBUSTIBLE FORMANT UNE PROJECTION MAXIMALE DE 3" DU MUR AU DESSUS DE LA GARNITURE NORMALE, EST 12". REFERER AU MANUEL D'INSTALLATION POUR DES EXTENSIONS PLUS GRANDES.

SOUFFLERIE OPTIONELLE: G2550-KT, GD65.

**WOLF STEEL LTD.**  
24 NAPOLEON ROAD, BARRIE, ONTARIO L4M 0G8 CANADA

SERIAL NUMBER/NO. DE SERIE: **IR3/CIR3**      W385-1971 / A

**INSTALLER:** It is your responsibility to check off the appropriate box on the rating plate according to the model, venting and gas type of the appliance.

For rating plate location, see "INSTALLATION OVERVIEW" section.

This illustration is for reference only. Refer to the rating plate on the appliance for accurate information.

**NOTE:** The rating plate must remain with the appliance at all times. It must not be removed.

## 3.0 INSTALLATION

### WARNING

**RISK OF FIRE, MAINTAIN SPECIFIED AIR SPACE CLEARANCES TO VENT PIPE AND APPLIANCE.**

Clean out ashes from the inside of the wood-burning appliance. Make sure that the chimney and wood-burning appliance are in a clean and sound condition and constructed of non-combustible materials. If necessary have any repair work done by a qualified person before installing the insert. Remove the existing appliance damper or lock into an open position.

Using screws, attach the appliance warning tag to the inside of the firebox of the appliance into which the insert is being installed.

The sheet-metal parts of the appliance, in which the gas appliance insert is to be installed, must not be cut.

If the wood-burning factory-built appliance has no gas access hole(s) provided, an access hole of 1½ inch (38.1mm) or less may be drilled through the lower sides or bottom of the appliance in a proper workman like manner. This access hole must be plugged with non-combustible insulation after the gas supply line has been installed.

Ensure that existing chimney cleanouts fit properly.

The refractory, glass doors, screen rails, screen mesh and log grates may be removed from the existing appliance before installing the gas appliance insert.

Smoke shelves, shields and baffles may be removed if attached by mechanical fasteners.

The ventilation openings in the existing appliance may be obstructed by the backer plates, aluminium trim etc. but these parts are not to be applied so as to have an airtight seal.

**WARNING:** THIS FIREPLACE HAS BEEN CONVERTED FOR USE WITH A GAS FIREPLACE INSERT ONLY AND CANNOT BE USED FOR BURNING WOOD OR SOLID FUELS UNLESS ALL ORIGINAL PARTS HAVE BEEN REPLACED AND THE FIREPLACE IS RE-APPROVED BY THE AUTHORITY HAVING JURISDICTION.

**ATTENTION:** CE FOYER A ETE CONVERTI AFIN D'ETRE UTILISE SEULEMENT COMME FOYER ENCASTRE AU GAZ ET NE PEUT ETRE UTILISE POUR BRULER DU BOIS OU TOUT AUTRE COMBUSTIBLE SOLIDE, SANS QUE TOUTES LES PIECES ORIGINALES AIENT ETE REMPLACEES ET QUE LE FOYER SOIT APPROUVE DE NOUVEAU PAR LES AUTORITES AYANT JURISDICTION.

**ADVERTENCIA:** ESTA CHIMENEA SE REMODELO PARA USARSE SOLO CON UNA INSERCIÓN DE CHIMENEA A GAS Y NO PUEDE USARSE PARA QUEMAR MADERA NI COMBUSTIBLES SÓLIDOS, A MENOS QUE SE HAYAN REEMPLAZADO TODAS LAS PIEZAS ORIGINALES, Y LA AUTORIDAD JURISDICCIONAL LA HAYA VUELTO A APROBAR.

W385-0199\_B

68.4B



### 3.1 LEVELLING THE APPLIANCE

Move the appliance close to its final position. This appliance is equipped with levelling screws located on the base. Level using the levelling screws. Levelling the appliance will eliminate rocking or excessive noise when the fan is in operation. Once the appliance is level, move it partially into place to allow for all connections to be made. It is not practical to level the appliance once it has been installed. Determine the required depth prior to installing the appliance and adjust the levelling screws accordingly.

67.2



## 3.2 CHIMNEY CONNECTION

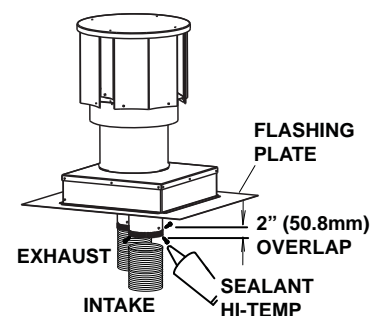
Chimney installation must conform to both national and local code requirements. The chimney must be lined with one 3" (76mm) diameter liner for intake and one 3" (76mm) diameter liner for exhaust. The minimum and maximum vent lengths are 10 ft (3m) and 35 ft (11m) respectively.

Recommended kits come in 3 lengths:

### 2-3" DOUBLE PLY ALUMINUM LINER-INLET AND EXHAUST:

GDI-320KT	VENT KIT 20FT (6m)
GDI-325KT	VENT KIT 25 FT (7m)
GDI-335KT	VENT KIT 35 FT (11m)

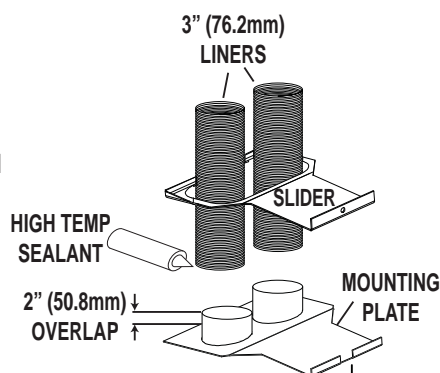
While the liners must be continuous from the appliance to the chimney cap, to achieve the needed length, they may be coupled, using an approved coupler. We recommend that exhaust vents that pass through unheated spaces, such as tall exterior chimneys, be wrapped in a protective sleeve to minimize condensation and reverse flow symptoms. See Trouble Shooting for details. This appliance is approved for use with a 3" (76mm) exhaust and air intake.



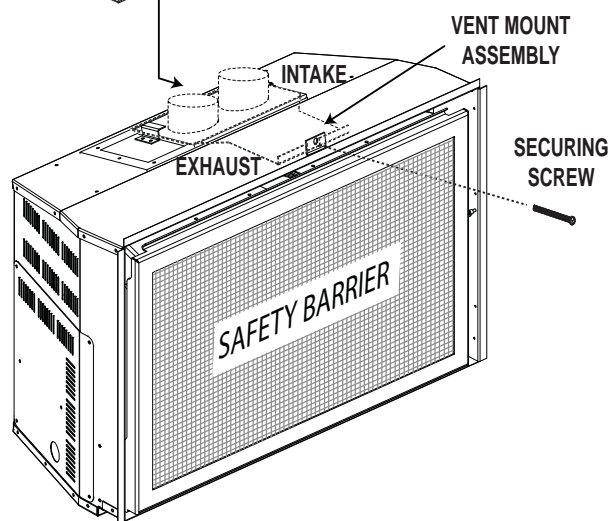
- A. OUTSIDE:** Slip the one end of a liner a minimum of 2" (51mm) over the sleeve of the air terminal. Secure using 3 screws. Then seal the joint and screw heads with high temperature sealant. Repeat with the other liner.

**NOTE:** We recommend that the other end of the exhaust liner be marked to eliminate the exhaust liner being connected to the intake collar at the appliance.

- B.** Gently stretch the liners to the required lengths and insert into the chimney. Trim and fit the flashing plate to suit the chimney termination. Place the air terminal onto the top of the chimney. Make weather tight by sealing with caulking (not supplied). Fasten to the chimney with screws and plugs (not supplied).



- C. INSIDE:** Remove the securing screw from the front of the vent mounting plate. Pull the vent mounting plate only, back into the track, to the front stop. Start the slider back into position. Re-secure the screw. The appliance may now be pushed into its final position inside the wood burning appliance, and the screw tightened until the slider has been pulled tight to the front stop.



- D.** Route the flex liners through the slider. Attach and secure the liners to the vent mounting plate using the same procedure as before, ensuring that the marked exhaust liner is attached to the exhaust collar.

## 3.3 GAS INSTALLATION

EN

**! WARNING**

**RISK OF FIRE, EXPLOSION OR ASPHYXIATION. ENSURE THERE ARE NO IGNITION SOURCES SUCH AS SPARKS OR OPEN FLAMES.**

**SUPPORT GAS CONTROL WHEN ATTACHING GAS SUPPLY PIPE TO PREVENT DAMAGING GAS LINE.**

**ALWAYS LIGHT THE PILOT WHETHER FOR THE FIRST TIME OR IF THE GAS SUPPLY HAS RUN OUT WITH THE GLASS DOOR OPENED OR REMOVED. PURGING OF THE GAS SUPPLY LINE SHOULD BE PERFORMED BY A QUALIFIED SERVICE TECHNICIAN. ASSURE THAT A CONTINUOUS GAS FLOW IS AT THE BURNER BEFORE CLOSING THE DOOR. ENSURE ADEQUATE VENTILATION. FOR GAS AND ELECTRICAL LOCATIONS, SEE "DIMENSION" SECTION.**

**ALL GAS CONNECTIONS MUST BE CONTAINED WITHIN THE APPLIANCE WHEN COMPLETE.**

**HIGH PRESSURE WILL DAMAGE VALVE. DISCONNECT GAS SUPPLY PIPING BEFORE TESTING GAS LINE AT TEST PRESSURES ABOVE 1/2 PSIG.**

**VALVE SETTINGS HAVE BEEN FACTORY SET, DO NOT CHANGE.**

Installation and servicing to be done by a qualified installer. **Do not use open flame.**

- Move the appliance into position and secure.
- If equipped with a flex connector the appliance is designed to accept a 1/2" (13mm) gas supply. Without the connector it is designed to accept a 3/8" (9.5mm) gas supply. The appliance is equipped with a manual shut off valve to turn off the gas supply to the appliance.
- Connect the gas supply in accordance to local codes. In the absence of local codes, install to the current CAN/CSA-B149.1 Installation Code in Canada or to the current National Fuel Gas Code, ANSI Z223.1 / NFPA 54 in the United States.
- When flexing any gas line, support the gas valve so that the lines are not bent or kinked.
- Check for gas leaks by brushing on a soap and water solution.

30.1A

## 4.0 FINISHING

<b>! WARNING</b>
<b>RISK OF FIRE!</b>
<b>NEVER OBSTRUCT THE FRONT OPENING OF THE APPLIANCE.</b>
<b>THE FRONT OF THE APPLIANCE MUST BE FINISHED WITH ANY NON-COMBUSTIBLE MATERIALS SUCH AS BRICK, MARBLE, GRANITE, ETC., PROVIDED THAT THESE MATERIALS DO NOT GO BELOW THE SPECIFIED DIMENSION AS ILLUSTRATED.</b>
<b>DO NOT STRIKE, SLAM OR SCRATCH GLASS. DO NOT OPERATE APPLIANCE WITH GLASS REMOVED, CRACKED, BROKEN OR SCRATCHED.</b>
<b>FACING AND/OR FINISHING MATERIAL MUST NEVER OVERHANG INTO THE APPLIANCE OPENING.</b>

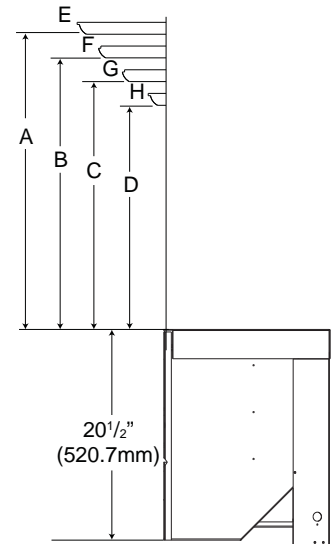
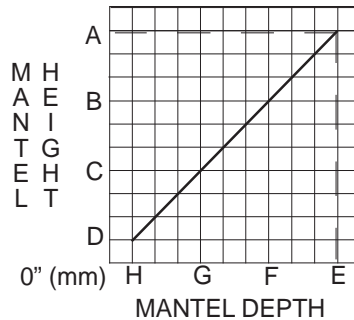
72.1A

### 4.1 MINIMUM MANTEL CLEARANCES

<b>! WARNING</b>
<b>RISK OF FIRE, MAINTAIN ALL SPECIFIED AIR SPACE CLEARANCES TO COMBUSTIBLES. FAILURE TO COMPLY WITH THESE INSTRUCTIONS MAY CAUSE A FIRE OR CAUSE THE APPLIANCE TO OVERHEAT. ENSURE ALL CLEARANCES (I.E. BACK, SIDE, TOP, VENT, MANTEL, FRONT, ETC.) ARE CLEARLY MAINTAINED.</b>
<b>WHEN USING PAINT OR LACQUER TO FINISH THE MANTEL, THE PAINT OR LACQUER MUST BE HEAT RESISTANT TO PREVENT DISCOLOURATION.</b>

73.1

Combustible mantel clearance can vary according to the mantel depth. Use the graph to help evaluate the clearance needed. These same requirements apply to any combustibles protruding on either side of the appliance.



MANTEL DIMENSIONS			
Ref	Height	Ref	Depth
<b>A</b>	17" (432mm)	<b>E</b>	6" (152mm)
<b>B</b>	16" (406mm)	<b>F</b>	5" (127mm)
<b>C</b>	15" (381mm)	<b>G</b>	4" (102mm)
<b>D</b>	14" (356mm)	<b>H</b>	3" (76mm)



## 4.2 SAFETY SCREEN &amp; DOOR REMOVAL / INSTALLATION

EN

## ! WARNING

**GLASS MAY BE HOT, DO NOT TOUCH GLASS UNTIL COOLED.**

**THE DOOR LATCHES ARE PART OF A SAFETY SYSTEM AND MUST BE PROPERLY ENGAGED. DO NOT OPERATE THE APPLIANCE WITH LATCHES DISENGAGED.**

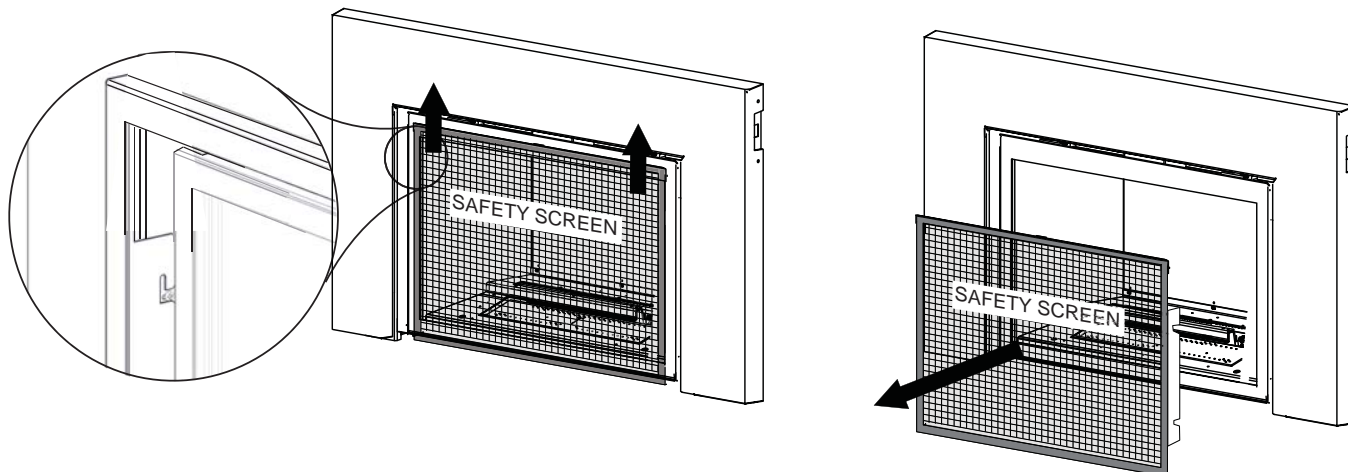
**FACING AND/OR FINISHING MATERIALS MUST NOT INTERFERE WITH AIR FLOW THROUGH AIR OPENINGS, LOUVRES OPENINGS, OPERATION OF LOUVRES OR DOORS OR ACCESS FOR SERVICE. OBSERVE ALL CLEARANCES WHEN APPLYING COMBUSTIBLE MATERIALS.**

**BEFORE DOOR IS REMOVED TURN THE APPLIANCE OFF AND WAIT UNTIL APPLIANCE IS COOL TO THE TOUCH. DOORS ARE HEAVY AND FRAGILE SO HANDLE WITH CARE.**

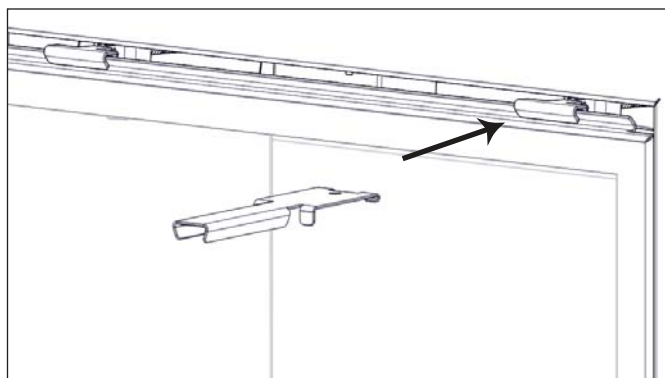
75.1

**A barrier designed to reduce the risk of burns from the hot viewing glass is provided with the appliance and shall be installed.**

Before the glass door can be removed, the safety screen must be removed. Lift the safety screen off the 4 side pins, tilt the top forward and remove from the unit.



The optional front must be removed to allow the door to be opened or closed. Release the top left and right door latches, located at the top of the door. Tilt forward and lift from slots.



Reverse these steps to re-install the safety screen and door. Ensure safety screen is installed correctly.



### 4.3 LOG PLACEMENT

## ! WARNING

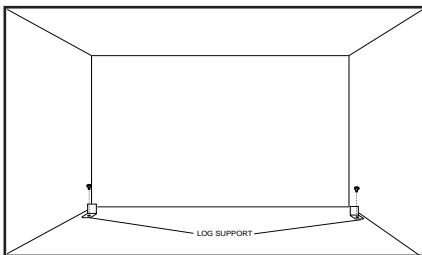
**FAILURE TO POSITION THE LOGS IN ACCORDANCE WITH THESE DIAGRAMS OR FAILURE TO USE ONLY LOGS SPECIFICALLY APPROVED WITH THIS APPLIANCE MAY RESULT IN PROPERTY DAMAGE OR PERSONAL INJURY.**

**LOGS MUST BE PLACED IN THEIR EXACT LOCATION IN THE APPLIANCE. DO NOT MODIFY THE PROPER LOG POSITIONS, SINCE APPLIANCE MAY NOT FUNCTION PROPERLY AND DELAYED IGNITION MAY OCCUR.**

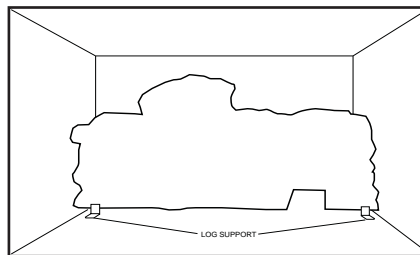
**THE LOGS ARE FRAGILE AND SHOULD BE HANDLED WITH CARE.**

76.1A

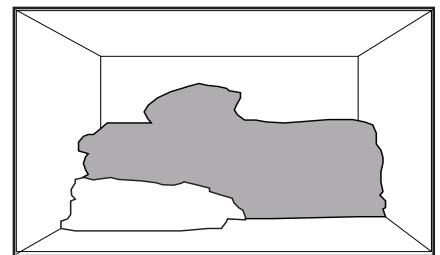
**PHAZER™** logs and glowing embers exclusive to Napoleon, provide a unique and realistic glowing effect that is different in every installation. Take the time to carefully position the glowing embers for a maximum glowing effect. Log colours may vary. During the initial use of the appliance, the colours will become more uniform as colour pigments burn in during the heat activated curing process.



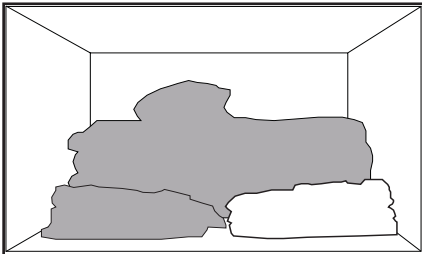
**A.** Position the left and right log support brackets (supplied) onto the burner base. Secure with the screws supplied. Make sure the brackets face away from the firebox, as shown.



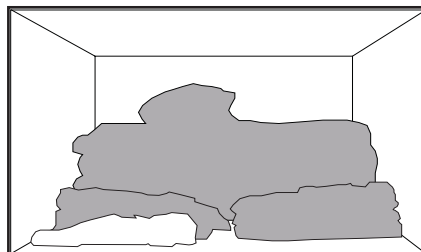
**A.** Place the rear log behind the left and right log supports and ensure that it's tight to the burner. Make sure to centre the pilot in the notch. Adjust the log supports tight to the log to hold it in an upright position.



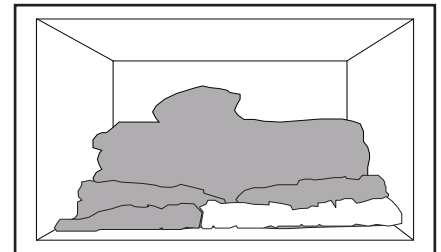
**B.** Place the left middle log into position, lining up the two holes in the bottom with the studs located on the left side of the burner.



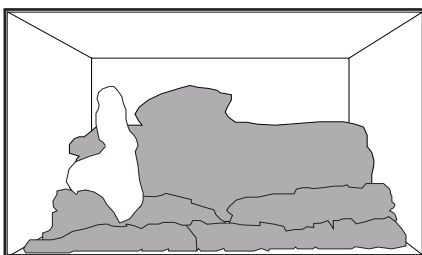
**C.** Place the right middle log into position, lining up the two holes in the bottom with the studs located on the right side of the burner.



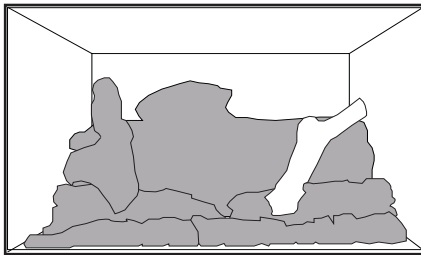
**D.** Position the left charcoal strip in front of the left middle log, lining up the holes in the bottom with the 2 front left studs.



**E.** Position the right charcoal strip in front of the right middle log, lining up the holes in the bottom with the 2 front right studs.



**F.** Position a pin (supplied) into the left side hole of the rear log, move the left crossover log into position, lining up the top hole with the pin in the rear log.



**G.** Position a pin into the right side hole of the rear log, move the right crossover log into position, lining up the top hole with the pin in the rear log.

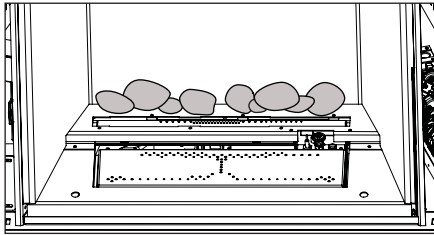


#### 4.4 OPTIONAL ROCK PLACEMENT

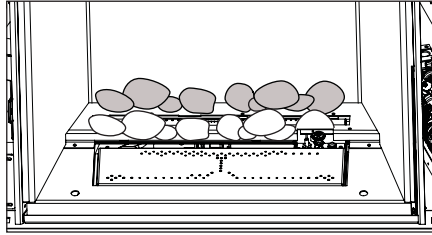
### ! WARNING

**REAL ROCKS MUST NOT BE USED IN THIS APPLIANCE. HEAT WILL CAUSE THEM TO EXPLODE**

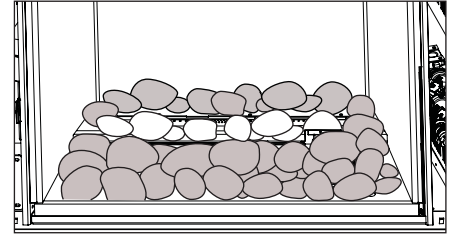
Before beginning with the installation, remove the door and all burner media from the appliance including logs and charcoal strips. Retain the glowing embers.



**A.** Sit the two rock clusters on top of the rear log support. Ensure the clusters are sitting flat.



**B.** Place the large notched rocks along the step behind the front burner as desired.



**C.** Place the remaining rocks around the burner as desired making sure not to cover any burner ports (there are no set locations).

**D.** Reinstall the glowing embers over the burner.

**E.** Reinstall the door.

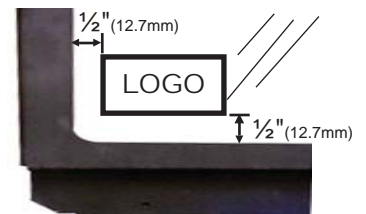
#### 4.5 GLOWING EMBERS

Tear the embers into pieces and place along the front row of ports covering all of the burner area in front of the small logs. Care should be taken to shred the embers into thin, small irregular pieces as only the exposed edges of the fibre hairs will glow. **The ember material will only glow when exposed to direct flame; however, care should be taken to not block the burner ports.**

Blocked burner ports can cause an incorrect flame pattern, carbon deposits and delayed ignition. **PHAZER™** logs glow when exposed to direct flame. Use only certified "glowing embers" and **PHAZER™** logs available from your authorized dealer / distributor.

#### 4.6 LOGO PLACEMENT

Remove the backing of the logo supplied and place on the glass viewing door, as indicated.



97.1A



#### 4.7 BATTERY INSTALLATION

4 AA batteries must be installed in to the (DC battery pack) before operation is possible. The battery pack is located in the bottom right corner of the appliance. The door may have to be removed to access, refer to "DOOR REMOVAL AND INSTALLATION" section. (Refer to "INSTALLATION OVERVIEW" for battery location).

## 5.0 ELECTRICAL INFORMATION

### ! WARNING

DO NOT USE THIS APPLIANCE IF ANY PART HAS BEEN UNDER WATER. CALL A QUALIFIED SERVICE TECHNICIAN IMMEDIATELY TO HAVE THE APPLIANCE INSPECTED FOR DAMAGE TO THE ELECTRICAL CIRCUIT.

RISK OF ELECTRICAL SHOCK OR EXPLOSION. DO NOT WIRE 110V TO THE VALVE OR TO THE APPLIANCE WALL SWITCH. INCORRECT WIRING WILL DAMAGE CONTROLS.

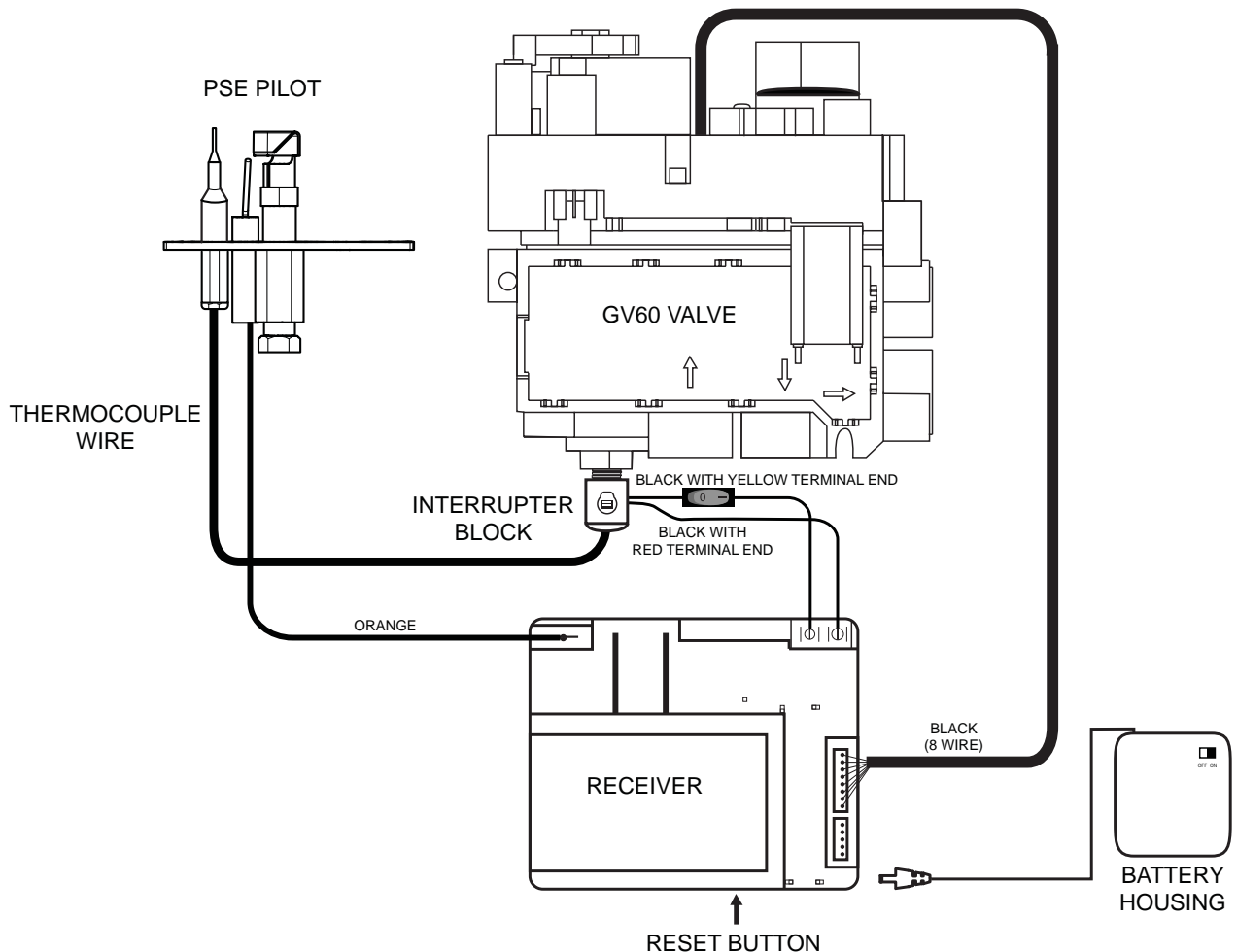
ALL WIRING SHOULD BE DONE BY A QUALIFIED ELECTRICIAN AND SHALL BE IN COMPLIANCE WITH LOCAL CODES. IN THE ABSENCE OF LOCAL CODES, USE THE CURRENT CSA22.1 CANADIAN ELECTRIC CODE IN CANADA OR THE CURRENT NATIONAL ELECTRIC CODE ANSI/NFPA NO. 70 IN THE UNITED STATES.

ALWAYS LIGHT THE PILOT WHETHER FOR THE FIRST TIME OR IF THE GAS SUPPLY HAS RAN OUT, WITH THE GLASS DOOR OPENED OR REMOVED.

69.2

### 5.1 WIRING DIAGRAM

This appliance comes equipped with a battery pack. Install 4 AA batteries into the holder that is connected to the wire harness. Place near the front of the appliance for ease of changing batteries.



## 6.0 OPERATION

EN

**! WARNING**



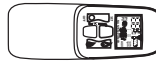

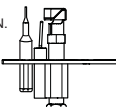




**IF YOU DO NOT FOLLOW THESE INSTRUCTIONS EXACTLY, A FIRE OR EXPLOSION MAY RESULT CAUSING PROPERTY DAMAGE, PERSONAL INJURY OR LOSS OF LIFE.**

**ALWAYS LIGHT THE PILOT WHETHER FOR THE FIRST TIME OR IF THE GAS SUPPLY HAS RUN OUT WITH THE GLASS DOOR OPENED OR REMOVED.**

When lit for the first time, the appliance will emit a slight odour for a few hours. This is a normal temporary condition caused by the "burn-in" of internal paints and lubricants used in the manufacturing process and will not occur again. Simply open a window to sufficiently ventilate the room. After extended periods of non-operation such as following a vacation or a warm weather season, the appliance may emit a slight odour for a few hours. This is caused by dust particles in the heat exchanger burning off. Open a window to sufficiently ventilate the room.

## 6.1 OPERATING AND LIGHTING INSTRUCTIONS

OPERATING INSTRUCTIONS / INSTRUCTIONS D'OPERATION	
FOR YOUR SAFETY READ BEFORE OPERATING / POUR VOTRE SÉCURITÉ LIRE AVANT DE FAIRE FONCTIONNER	
<p><b>WARNING:</b> IF YOU DO NOT FOLLOW THESE INSTRUCTIONS EXACTLY, A FIRE OR EXPLOSION MAY RESULT CAUSING PROPERTY DAMAGE, PERSONAL INJURY OR LOSS OF LIFE.</p> <p>INITIAL LIGHTING OF THE PILOT AND MAIN BURNERS MUST BE DONE WITH THE GLASS DOOR OFF. DO NOT CONNECT VALVE OR WALL SWITCH TO ELECTRICITY. SEE INSTALLATION INSTRUCTIONS.</p> <p>A. THIS FIREPLACE IS EQUIPPED WITH AN IGNITION DEVICE WHICH AUTOMATICALLY LIGHTS THE PILOT. DO NOT TRY TO LIGHT BY HAND.</p> <p>B. BEFORE OPERATING SMELL ALL AROUND THE FIREPLACE AREA FOR GAS AND NEXT TO THE FLOOR BECAUSE SOME GAS IS HEAVIER THAN AIR AND WILL SETTLE ON THE FLOOR.</p> <p><b>WHAT TO DO IF YOU SMELL GAS:</b></p> <ul style="list-style-type: none"> <li>• TURN OFF ALL GAS TO THE FIREPLACE.</li> <li>• OPEN WINDOWS.</li> <li>• DO NOT TRY TO LIGHT ANY APPLIANCE.</li> <li>• DO NOT TOUCH ANY ELECTRIC SWITCH; DO NOT USE ANY PHONE IN YOUR BUILDING.</li> <li>• IMMEDIATELY CALL YOUR GAS SUPPLIER FROM A NEIGHBOUR'S PHONE. FOLLOW THE GAS SUPPLIER'S INSTRUCTIONS.</li> <li>• IF YOU CANNOT REACH YOUR GAS SUPPLIER, CALL THE FIRE DEPARTMENT.</li> </ul> <p>C. DO NOT TRY TO REPAIR ANY PART OF THIS ASSEMBLY. CALL A QUALIFIED SERVICE TECHNICIAN. FORCE OR ATTEMPTED REPAIR MAY RESULT IN A FIRE OR EXPLOSION.</p> <p>D. DO NOT USE THIS FIREPLACE IF ANY PART HAS BEEN UNDER WATER. IMMEDIATELY CALL A QUALIFIED SERVICE TECHNICIAN TO INSPECT THE FIREPLACE AND REPLACE ANY PART OF THE CONTROL SYSTEM AND ANY GAS CONTROL WHICH HAS BEEN UNDER WATER.</p>	<p><b>ATTENTION:</b> SI CES INSTRUCTIONS NE SONT PAS OBSERVÉES À LA LETTRE, UN FEU OU UNE EXPLOSION POURRAIT S'ENSUIVRE CAUSANT DES DOMMAGES À LA PROPRIÉTÉ, DES BLESSURES CORPORELLES OU PERTE DE VIE.</p> <p>L'ALLUMAGE INITIAL DE LA VEILLEUSE ET DU BRULEUR PRINCIPAL DOIT SE FAIRE AVEC LA PORTE VITRÉE ENLEVÉE. NE RACCORDEZ PAS LA SOUPAPE OU L'INTERRUPTEUR MURALE L'ÉLECTRICITÉ. CONSULTEZ LES INSTRUCTIONS D'INSTALLATION.</p> <p>A. CET APPAREIL EST MUNI D'UN DISPOSITIF D'ALLUMAGE QUI ALLUME LA VEILLEUSE AUTOMATIQUÉMENT.</p> <p>N'ESSAYEZ PAS D'ALLUMER LA VEILLEUSE MANUELLEMENT.</p> <p>B. AVANT D'ALLUMER SENTEZ L'AIR AUTOUR DE L'APPAREIL ET PRÈS DU PLANCHER (CERTAINS GAZ SONT PLUS LOURDS QUE L'AIR ET SE DÉPOSERONT AU NIVEAU DU PLANCHER) POUR DÉTECTER UNE FUIITE POSSIBLE.</p> <p>QUE FAIRE SI VOUS DÉTECTEZ UNE ODEUR DE GAZ:</p> <ul style="list-style-type: none"> <li>• COUPEZ L'ALIMENTATION DE GAZ PRINCIPALE.</li> <li>• OUVREZ LES FENÊTRES.</li> <li>• N'ALLUMEZ AUCUN APPAREIL.</li> <li>• NE TOUCHEZ PAS À AUCUN INTERRUPTEUR ÉLECTRIQUE; N'UTILISEZ AUCUN TÉLÉPHONE DANS VOTRE IMMEUBLE.</li> <li>• APPELÉZ IMMÉDIATEMENT VOTRE FOURNISSEUR DE GAZ D'UN TÉLÉPHONE VOISIN ET SUIVEZ SES INSTRUCTIONS.</li> <li>• SI VOUS NE POUVEZ PAS REJOINDRE VOTRE FOURNISSEUR DE GAZ, APPELÉZ LE SERVICE DES INCENDIES.</li> </ul> <p>C. N'ESSAYEZ PAS DE RÉPARER AUCUNE PIÈCE DE CET ASSEMBLAGE. APPELÉZ UN TECHNICIEN QUALIFIÉ. FORCER OU TENTER DE RÉPARER L'ASSEMBLAGE POURRAIT CAUSER UN FEU OU UNE EXPLOSION.</p> <p>D. N'UTILISEZ PAS CET APPAREIL SI UN DE SES COMPOSANTS A ÉTÉ SUBMÉRGÉ. CONTACTÉZ IMMÉDIATEMENT UN TECHNICIEN DE SERVICE QUALIFIÉ POUR INSPECTER L'APPAREIL ET REMPLACER TOUT SYSTÈME DE CONTRÔLE DE GAZ TOUCHÉ PAR L'EAU.</p> <p style="text-align: right;">W385-1907</p>

LIGHTING INSTRUCTIONS / INSTRUCTIONS D'ALLUMAGE	
<ol style="list-style-type: none"> <li><b>STOP!</b> READ ALL INFORMATION OF OPERATING AND LIGHTING INSTRUCTIONS BEFORE PROCEEDING.</li> <li>TURN REMOTE/WALL SWITCH TO THE "OFF" POSITION.</li> <li>TURN OFF ELECTRIC POWER TO THE FIREPLACE AND/OR REMOVE THE BATTERIES.</li> <li>THIS FIREPLACE IS EQUIPPED WITH AN IGNITION DEVICE WHICH AUTOMATICALLY LIGHTS THE PILOT. DO NOT TRY TO LIGHT THE PILOT BY HAND.</li> <li>OPEN THE GLASS DOOR.</li> <li>TURN MANUAL SHUTOFF VALVE CLOCKWISE  TO "OFF".</li> <li>WAIT FIVE (5) MINUTES TO CLEAR OUT ANY GAS. IF YOU SMELL GAS INCLUDING NEAR THE FLOOR, <b>STOP!</b> FOLLOW "B" OF THE OPERATING INSTRUCTIONS. IF YOU DON'T SMELL GAS GO TO THE NEXT STEP.</li> <li>CLOSE THE GLASS DOOR.</li> <li>TURN MANUAL SHUTOFF VALVE COUNTER-CLOCKWISE  TO "ON".</li> <li>TURN ON ALL ELECTRIC POWER TO THE FIREPLACE AND/OR REINSTALL THE BATTERIES.</li> <li>TURN REMOTE/WALL SWITCH TO THE "ON" POSITION.</li> </ol>   	<ol style="list-style-type: none"> <li><b>ARRÊTEZ!</b> LISEZ TOUTES LES INSTRUCTIONS DE FONCTIONNEMENT ET D'ALLUMAGE AVANT DE CONTINUER.</li> <li>TOURNEZ L'INTERRUPTEUR MURAL/TÉLÉCOMMANDE MANUELLE À "OFF".</li> <li>COUPEZ L'ALIMENTATION ÉLECTRIQUE À L'APPAREIL ET/OU ENLEVEZ LES PILES.</li> <li>CET APPAREIL EST MUNI D'UN DISPOSITIF D'ALLUMAGE QUI ALLUME LA VEILLEUSE AUTOMATIQUÉMENT, N'ESSAYEZ PAS D'ALLUMER LA VEILLEUSE MANUELLEMENT.</li> <li>OUVREZ LA PORTE VITRÉE.</li> <li>TOURNEZ LA SOUPAPE DE SECTIONNEMENT MANUELLE VERS LA DROITE  À "OFF".</li> <li>ATTENDEZ CINQ (5) MINUTES POUR QUE LE GAZ PUISSE S'ÉCHAPPER. SI VOUS DÉTECTEZ UNE ODEUR DE GAZ, <b>ARRÊTEZ!</b> SUIVEZ « B » DANS LES INSTRUCTIONS DE FONCTIONNEMENT. S'IL N'Y A PAS D'ODEUR DE GAZ, PASSEZ À L'ÉTAPE SUIVANTE.</li> <li>FERMEZ LA PORTE VITRÉE.</li> <li>TOURNEZ LA SOUPAPE DE SECTIONNEMENT MANUELLE VERS LA GAUCHE  À "ON".</li> <li>RÉTABLISSEZ L'ALIMENTATION ÉLECTRIQUE AU FOYER ET/OU INSTALLEZ LES PILES.</li> <li>TOURNEZ L'INTERRUPTEUR MURAL/TÉLÉCOMMANDE MANUELLE À "ON".</li> </ol>
TO TURN OFF GAS / INSTRUCTIONS POUR COUPER LE GAZ	
<ol style="list-style-type: none"> <li>TURN OFF ALL ELECTRICAL POWER TO THE FIREPLACE IF SERVICE IS TO BE PERFORMED.</li> <li>TURN MANUAL SHUTOFF VALVE CLOCKWISE  TO "OFF". DO NOT FORCE.</li> </ol>	<ol style="list-style-type: none"> <li>COUPEZ L'ALIMENTATION ÉLECTRIQUE AU FOYER SI UN TRAVAIL D'ENTRETIEN DOIT SE FAIRE.</li> <li>TOURNEZ LA SOUPAPE D'ARRÊT MANUELLE VERS LA DROITE  À "OFF" NE FORCEZ PAS.</li> </ol>





## 6.2 OPERATION

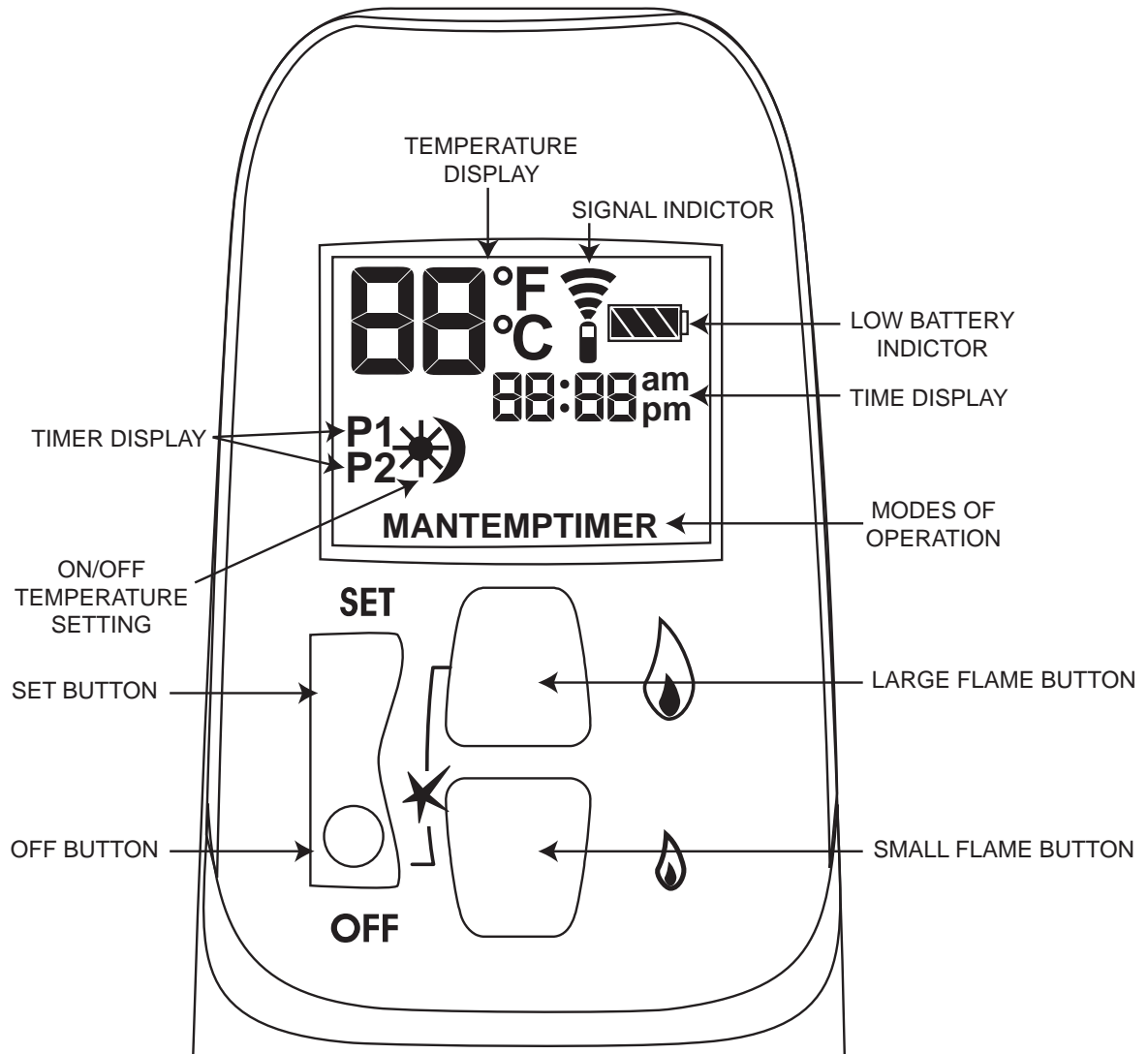
### ! WARNING

IF YOU DO NOT FOLLOW THESE INSTRUCTIONS EXACTLY, A FIRE OR EXPLOSION MAY RESULT CAUSING PROPERTY DAMAGE, PERSONAL INJURY OR LOSS OF LIFE.

ALWAYS LIGHT THE PILOT WHETHER FOR THE FIRST TIME OR IF THE GAS SUPPLY HAS RUN OUT WITH THE GLASS DOOR OPENED OR REMOVED.


EN

### 6.2.1 GENERAL REMOTE TRANSMITTER LAYOUT





35.26

### 6.2.2 PROGRAMMING

- A. Press and hold the receiver's reset button until you hear two beeps. (First beep is short, second beep is long.) Release the button after the second beep, refer to "INSTALLATION OVERVIEW" for receiver location.
- B. Within the subsequent 20 seconds press and hold the small flame button  on the remote transmitter until you hear two additional short beeps confirming the code is set, refer to "GENERAL REMOTE TRANSMITTER LAYOUT". (NOTE: One long beep indicates the sequence has failed or wiring is incorrect).

**NOTE:** This is a one time setting only, and is not required after changing the batteries of the remote transmitter or receiver.

### 6.2.3 TURNING "ON" THE APPLIANCE

- A. Place the "ON/OFF" switch in the "ON" position by the receiver, refer to "INSTALLATION OVERVIEW" for location.
- B. Using the remote transmitter simultaneously press the large flame button  and the OFF button until you hear a short beep, this confirms the start of the appliance, you can then release both buttons. (The ignition process has begun once continuous beeping has begun).
- C. Wait several seconds for the appliance to ignite. After main ignition the remote will default to the Daytime Temperature Mode  **TEMP**.

**NOTE:** Refer to "GENERAL REMOTE TRANSMITTER LAYOUT".

### 6.2.4 TURNING "OFF" THE APPLIANCE

- A. Using the remote transmitter press the "OFF" button.









**NOTE:** To turn the appliance on after pressing the "OFF" button, you must wait 30 seconds for both burners to turn off. The appliance will shut off if no change has occurred to the flame height or if the appliance has not turned on for a period of 5 days.

### 6.2.5 HAND HELD REMOTE TRANSMITTER OPERATIONS


- A. Press the "Set" button to change modes.
- B. The modes change in the following order:



**NOTE:** Refer to "GENERAL REMOTE TRANSMITTER LAYOUT".





- For flame height adjustment in Manual Mode  double click the large flame button  to increase to the highest flame height. Double click the small flame button  to decrease to the lowest flame height. Press the large flame button  to increase flame height or the small flame button  to decrease flame height. **NOTE: Holding the small flame button for too long will switch the appliance to pilot mode. To turn the appliance off completely press the "OFF" button.**
- For Daytime Temperature Mode  **TEMP** the appliance must be set to standby mode (pilot ignited). The default temperature setting for this mode is 23°C / 74°F. (Daytime Temperature mode is set by comparing the set temperature and room temperature, the flame height is then adjusted automatically to achieve this Daytime Temperature setting.)
- For Nighttime Temperature Mode  **TEMP** the appliance must be set to standby mode (pilot ignited). (Nighttime Temperature mode is set by comparing the night time set temperature and room temperature, the flame height is then adjusted automatically to achieve this Nighttime Temperature setting.)
- Timer Mode  the appliance must be set to standby mode (pilot ignited). There are two timer settings available (P1 and P2) allowing the appliance turn off and to turn on at specified times. **NOTE: The "TIMER DISPLAY" indicates the set temperature every 30 seconds.**

### 6.2.6 TEMPERATURE DISPLAY

**NOTE:** Press the "OFF" button and the small flame button  simultaneously until the temperature display changes from Fahrenheit to Celsius, and vice versa. When changing from Fahrenheit to Celsius the clock will change from a 12 hour to 24 hour clock, refer to "GENERAL REMOTE TRANSMITTER LAYOUT".



- A. To set Daytime Temperature Mode quickly press the SET button, scrolling to the desired mode, then hold the SET button until the "TEMP" on the display flashes.
- B. To increase the Daytime Temperature press the large flame button . To decrease the Daytime Temperature press the small flame button . To use this setting as the new temperature press the OFF button.

- C. To set Nighttime Temperature Mode quickly press the SET button, scrolling to the desired mode, then hold the SET button until the "TEMP" on the display flashes.
- D. To increase the Nighttime Temperature press the large flame button . To decrease the Nighttime Temperature press the small flame button . To use this setting as the new temperature press the OFF button.



**NOTE:** When in regular operation the remote will always show the room temperature. Thermostat function adjusts the flame height according to the difference between the set temperature and the actual room temperature; as the room temperature gets closer to the set point it will adjust the flame down.

### 6.2.8 SETTING THE TIME

**NOTE:** Time display will flash upon battery installation or when the large and small flame buttons are pressed simultaneously.





- A. To set the hour press the large flame button .
- B. To set the minutes press the small flame button .
- C. Press the "OFF" button to set the time.

### 6.2.9 SETTING THE TIMER FUNCTION

- A. To set the Timer Mode quickly press the SET button, scrolling to the desired mode.
- B. To scroll through P1\* , P1) , P2\* , P2) briefly press the set button.
- C. Once the desired timer function is shown on the display and the time flashes, press the large flame button  to adjust the hour and the small flame button  to adjust the minutes. Press the "OFF" button to set the time.

**NOTE:** The default setting for the Timer Function is as follows: P1\* 6:00am and P2) 8:00pm, P2\* 11:50am and P2) 11:50pm, refer to "GENERAL REMOTE TRANSMITTER LAYOUT".

### 6.2.10 FLAME HEIGHT

- A. Using the remote transmitter you may set the flame directly to the "HI" setting by double clicking the large flame button . Increasing the flame height can also be done by pressing and holding the large flame button .
- B. Using the remote transmitter you may set the flame directly to the "LO" setting by double clicking the small flame button . Decrease the flame height can also be done by pressing and holding the small flame button .

**NOTE:** For fine adjustment tap the large flame button  or small flame button  when using the remote transmitter. If the small flame button is held too long the main burner will turn off.

### 6.2.7 LOW BATTERY

- A. Frequent beeping for 3 seconds when the appliance turns on indicates low battery on the remote receiver. The battery pack is located on the bottom right side of the appliance, refer to "INSTALLATION OVERVIEW" for location.
- B. Low battery indicator is in the top right corner of the remote, we also recommend replacing the batteries every two years.

**NOTE:** When low battery occurs the appliance will shut down. The appliance will shut off if no change has occurred to the flame height or the appliance has not turned on for a period of 5 days.

## 7.0 ADJUSTMENTS

### 7.1 PILOT BURNER ADJUSTMENT

Adjust the pilot screw to provide properly sized flame. Turn in a clockwise direction to reduce the gas flow.

#### **Check Pressure Readings:**

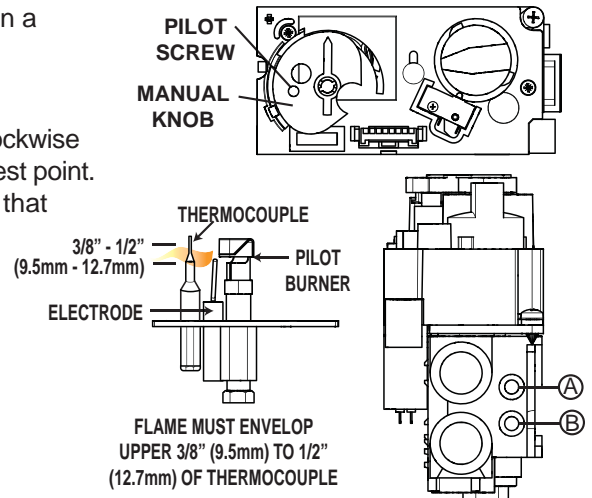
Inlet pressure can be checked by turning screw (A) counter-clockwise 2 or 3 turns and then placing pressure gauge tubing over the test point. Gauge should read as described on the chart below. Check that main burner is operating on "HI".

Outlet pressure can be checked the same as above using screw (B). Gauge should read as described on the chart below. Check that main burner is operating on "HI".

**AFTER TAKING PRESSURE READINGS, BE SURE TO TURN SCREWS CLOCKWISE FIRMLY TO RESEAL. DO NOT OVERTORQUE.**

Leak test with a soap and water solution.

Prior to pilot adjustment, ensure that the pilot assembly has not been painted. If overspray or painting of the pilot assembly has occurred remove the paint from the pilot assembly, or replace. Fine emery cloth or sandpaper can be used to remove the paint from the pilot hood, electrode and flame sensor.



Pressure	Natural Gas (inches)	Natural Gas (millibars)	Propane (inches)	Propane (millibars)
Inlet	7" (MIN. 4.5")	17.4mb (MIN. 11.2mb)	13" (MIN. 11")	32.4mb (MIN. 27.4mb)
Outlet	3.5"	8.7mb	10"	24.9mb

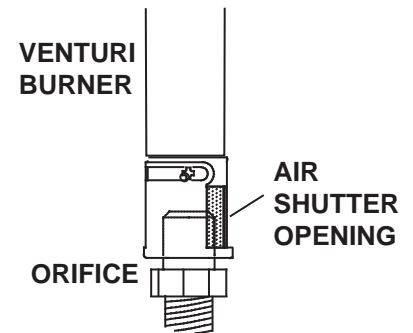
39.8A

### 7.2 VENTURI ADJUSTMENT

This appliance has an air shutter that has been factory set open according to the chart below:

Regardless of venturi orientation, closing the air shutter will cause a more yellow flame, but can lead to carboning. Opening the air shutter will cause a more blue flame, but can cause flame lifting from the burner ports. The flame may not appear yellow immediately; allow 15 to 30 minutes for the final flame colour to be established.

**AIR SHUTTER ADJUSTMENT MUST ONLY BE DONE BY A QUALIFIED INSTALLER!**

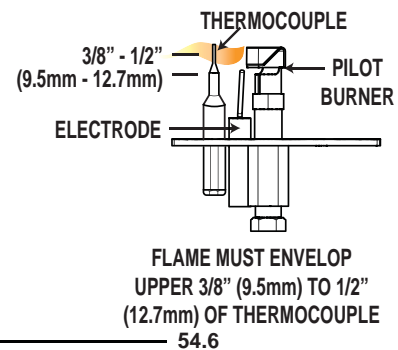
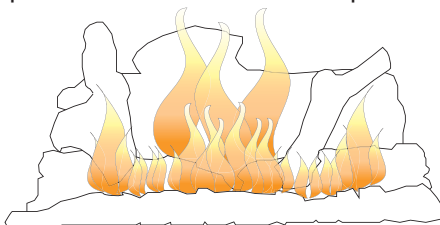


49.1

IR3-1	
NG	1/16" (1.6mm)
LP	3/8" (9.5mm)

### 7.3 FLAME CHARACTERISTICS

It's important to periodically perform a visual check of the pilot and burner flames. Compare them to the illustration provided. If any flames appear abnormal call a service person.



54.6

## 7.4 LP CONVERSION

- A. Turn off the gas supply to the appliance.
- B. Remove the front then the door from the appliance by releasing the top two door latches, tilt the door forward and lift from slots.
- C. Remove the logs and panels from the appliance.
- D. Remove the log support from the appliance by removing the 5 screws that secure it in place, refer to Figure 1.
- E. Remove the burner from the appliance by removing the 4 screws that secure it in place, refer to Figure 2.
- F. Remove the main burner orifice and replace with the orifice supplied in the manual baggie. (Use pipe thread compound).
- G. Adjust the air shutter opening to 1/16" for Natural Gas or 3/8" for Propane.
- H. To convert the main valve to the desired fuel, remove the conversion plug using a screwdriver. Remove the plastic tip on the plug stem and rotate 180 degrees, refer to Figure 3. Re-secure the plastic tip to the stem plug (it will click into place). Reinstall the conversion plug into the valve.
- I. Remove the min. rate screw and replace with the one supplied.

**NOTE:** The min. rate screw, conversion plug and conversion tab locations are illustrated in Figures 4 & 5.

- J. Loosen the pilot hood by turning counter clockwise with a wrench until the conversion tab slides easily. Slide the tab to view the label of the fuel desired, the tab is marked with NAT and LP Tighten the pilot hood back to original position, do not overtighten!
- K. Reinstall the burner and log support.
- L. The conversion data label, found in the manual baggie, it must be filled out and attached adjacent to the valve.
- M. Turn on the gas supply and check for gas leaks by brushing on a soap and water solution. Do not use open flame.
- N. Light the pilot and main burner to ensure that the gas lines have been purged. Refer to the "OPERATING AND LIGHTING INSTRUCTIONS" section of the instruction manual.
- O. Once all systems have been checked, replace the panels and log media.
- P. Re-secure the door then reinstall the front.

FIG. 1

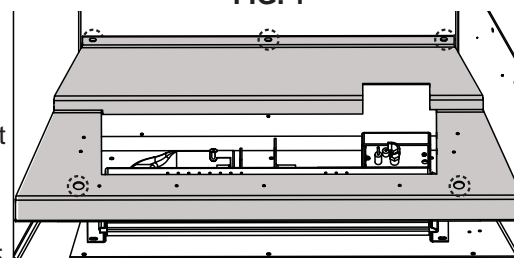


FIG. 2

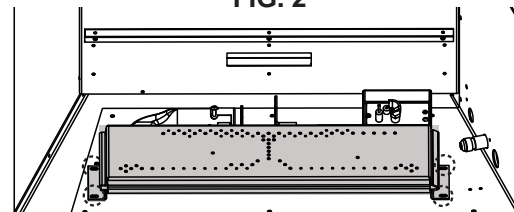
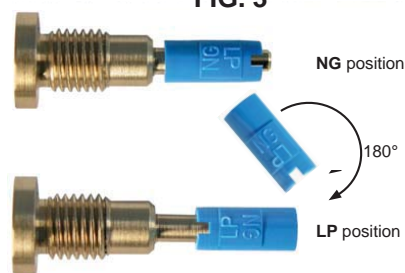


FIG. 3



Diagrams courtesy of Maxitrol Company

FIG. 4

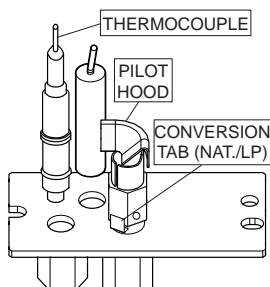
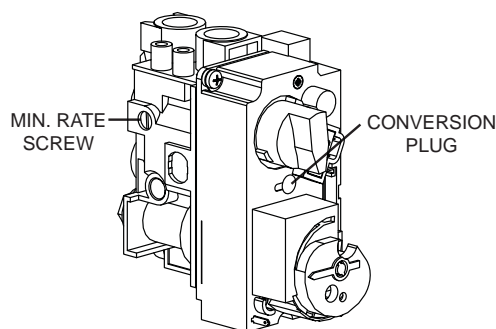



FIG. 5



## 8.0 MAINTENANCE

 <b>WARNING</b>
<b>TURN OFF THE GAS AND ELECTRICAL POWER BEFORE SERVICING THE APPLIANCE.</b>
<b>APPLIANCE MAY BE HOT, DO NOT SERVICE UNTIL APPLIANCE HAS COOLED.</b>
<b>DO NOT USE ABRASIVE CLEANERS.</b>
<b>DO NOT PAINT THE PILOT ASSEMBLY.</b>

**CAUTION:** Label all wires prior to disconnection when servicing controls. Wiring errors can cause improper and dangerous operation. Verify proper operation after servicing. This appliance and its venting system should be inspected before use and at least annually by a qualified service person. The appliance area must be kept clear and free of combustible materials, gasoline or other flammable vapors and liquids. The flow of combustion and ventilation air must not be obstructed.

- A. In order to properly clean the burner and pilot assembly, remove the logs, rocks and/or glass to expose both assemblies.
- B. Keep the control compartment, media, burner, air shutter opening and the area surrounding the logs clean by vacuuming or brushing, at least once a year.
- C. Check to see that all burner ports are burning. Clean out any of the ports which may not be burning or are not burning properly.
- D. Check to see that the pilot flame is large enough to engulf the flame sensor and/or thermocouple / thermopile as well as reaches the burner.
- E. Replace the cleaned logs, rocks or glass. Failure to properly position the media may cause carboning which can be distributed in the surrounding living area.
- F. Check to see that the main burner ignites completely on all openings when turned on. A 5 to 10 second total light-up period is satisfactory. If ignition takes longer, consult your local authorized dealer / distributor.
- G. Check that the gasketing on the sides, top and bottom of the door is not broken or missing. Replace if necessary.
- H. If for any reason the vent air intake system is disassembled, re-install and re-seal per the instructions provided for the initial installation.
- I. Cleaning the safety barrier may be necessary due to excessive lint / dust from carpeting, pets, etc. simply vacuum using the brush attachment.
- J. Ensure the pressure relief system performs effectively. Check that the gasket is not worn or damaged. Replace if necessary.

40.1D

## 8.3 ANNUAL MAINTENANCE

### ! WARNING

**THE FIREBOX BECOMES VERY HOT DURING OPERATION. LET THE APPLIANCE COOL COMPLETELY OR WEAR HEAT RESISTANT GLOVES BEFORE CONDUCTING SERVICE.**

**NEVER VACUUM HOT EMBERS.**

**DO NOT PAINT THE PILOT ASSEMBLY.**

- This appliance will require maintenance which should be planned on an annual basis.
- Service should include cleaning, battery replacement, venting inspection and inspection of the burner, media and firebox. Refer to the door removal section and remove the door as instructed.
- Carefully remove media if necessary (logs, glass, brick panels etc).
- Using a vacuum with a soft brush attachment, gently remove any dirt, debris or carbon build up from the logs, firebox and burner. For glass media, follow the installation instructions for pre-cleaning.
- Also gently remove any build-up on the pilot assembly including, if equipped; thermopile, thermocouple, flame sensor and igniter. **NOTE: The flame sensor may require to be cleaned using a fine steel wool or Scotch-Brite™ scrubbing pad to remove any oxides. Clean the pilot assembly using a vacuum with a soft brush attachment. It is important that the pilot assembly is not painted.**
- Inspect all accessible gaskets and replace as required.
- Access the blower, if equipped and clean using a soft brush and vacuum.
- Re-assemble the various components in reverse order.
- Inspect the relief system. The appliance relieves through the main glass door or through the flaps on the firebox top. Ensure they open freely, and close sealed.
- Check the gas control valve pilot and Hi / Lo knobs move freely (if equipped) – replace if any stiffness in movement is experienced.
- Check for gas leaks on all gas connections up and downstream from the gas valve including the pilot tube connections.

37.1C

## 8.1 CARE OF GLASS

**DO NOT CLEAN GLASS WHEN HOT! DO NOT USE ABRASIVE CLEANERS TO CLEAN GLASS.**

Buff lightly with a clean dry soft cloth. Clean both sides of the glass after the first 10 hours of operation with a recommended fireplace glass cleaner. Thereafter clean as required. If the glass is not kept clean permanent discoloration and / or blemishes may result.



5.1

This appliance is factory equipped with 5mm ceramic glass. Use only replacement glass available from your Napoleon® dealer. **DO NOT SUBSTITUTE MATERIALS.**

5.5.1

## 8.2 CARE OF PLATED PARTS

If the appliance is equipped with plated parts, you must clean fingerprints or other marks from the plated surfaces before operating the appliance for the first time. Use a glass cleaner or vinegar and towel to clean. If not cleaned properly before operating for the first time, the marks can cause permanent blemishes on the plating. After the plating is cured, the fingerprints and oils will not affect the finish and little maintenance is required, just wipe clean as needed. Prolonged high temperature burning with the door ajar may cause discoloration on plated parts.

**NOTE: The protective wrap on plated parts is best removed when the assembly is at room temperature but this can be improved if the assembly is warmed, using a hair dryer or similar heat source.**

6.1

## 8.4 DOOR GLASS REPLACEMENT

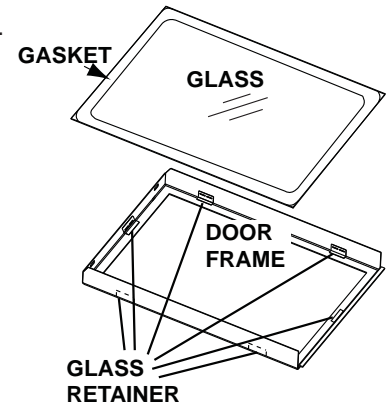
EN

**! WARNING****DO NOT USE SUBSTITUTE MATERIALS.****GLASS MAY BE HOT, DO NOT TOUCH GLASS UNTIL COOLED.****CARE MUST BE TAKEN WHEN REMOVING AND DISPOSING OF ANY BROKEN DOOR GLASS OR DAMAGED COMPONENTS. BE SURE TO VACUUM UP ANY BROKEN GLASS FROM INSIDE THE APPLIANCE BEFORE OPERATION.****DO NOT STRIKE, SLAM OR SCRATCH GLASS. DO NOT OPERATE APPLIANCE WITH GLASS REMOVED, CRACKED, BROKEN OR SCRATCHED.**

- A. Place the door frame face down careful not to scratch the paint. Refer to "DOOR REMOVAL AND INSTALLATION" section.
- B. Center the gasketed glass inside the door frame with the thick side of the gasket facing up.
- C. Bend the glass retainers located along the edge of the door frame over the gasket holding the glass in place. Careful not to break the glass.

56.1A

**NOTE:** Care must be taken when removing and disposing of any broken glass or damaged components. Be sure to vacuum up any broken glass from inside the appliance before operation.





## 8.5 BURNER REMOVAL

- A. Remove the glass door, see "DOOR REMOVAL AND INSTALLATION" section.
- B. Remove the logs, see "FINISHING" section.
- C. Remove the 5 screws that secure the log support in place. Lift the support out, refer to Figure 1.
- D. Remove the 4 screws that secure the front burner support in place, refer to Figure 2. Lift the burner up and out.

FIGURE 1

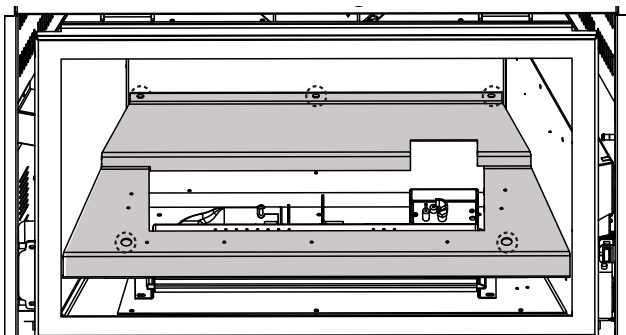
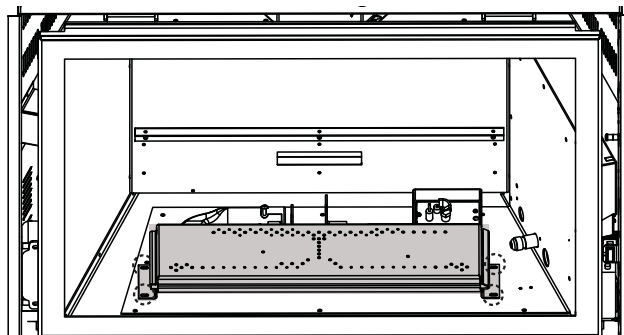
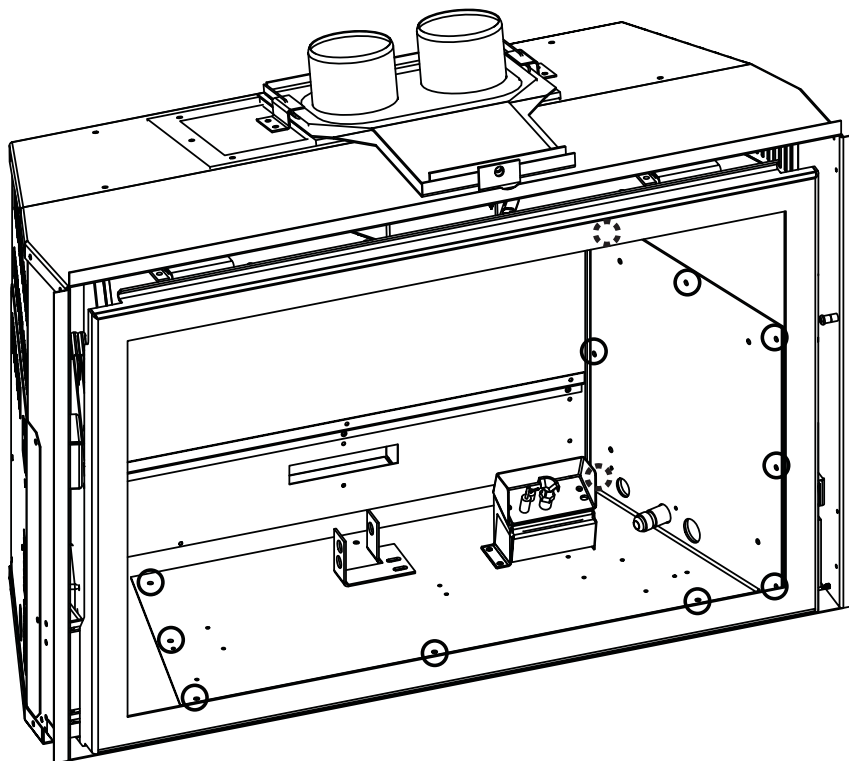


FIGURE 2



## 8.6 VALVE TRAIN REPLACEMENT



- A. Remove the glass door. See "DOOR REMOVAL AND INSTALLATION" section. Remove the burner, see "BURNER REMOVAL" section.
- B. Remove the 14 screws holding the valve train in place.  
**NOTE: A new gasket may be required when reinstalling the valve train assembly. Contact your local authorized dealer/distributor.**
- C. Carefully lift the valve train assembly out far enough to access the manual shut off valve and turn to the off position. Disconnect the flex connector from the valve. Ensure all other wires are disconnected for easy removal of the valve train, lift the valve train out of the appliance.

## 9.0 REPLACEMENTS

Contact your dealer or the factory for questions concerning prices and policies on replacement parts. Normally all parts can be ordered through your Authorized dealer / distributor.

**FOR WARRANTY REPLACEMENT PARTS, A PHOTOCOPY OF THE ORIGINAL INVOICE WILL BE REQUIRED TO HONOUR THE CLAIM.**

When ordering replacement parts always give the following information:

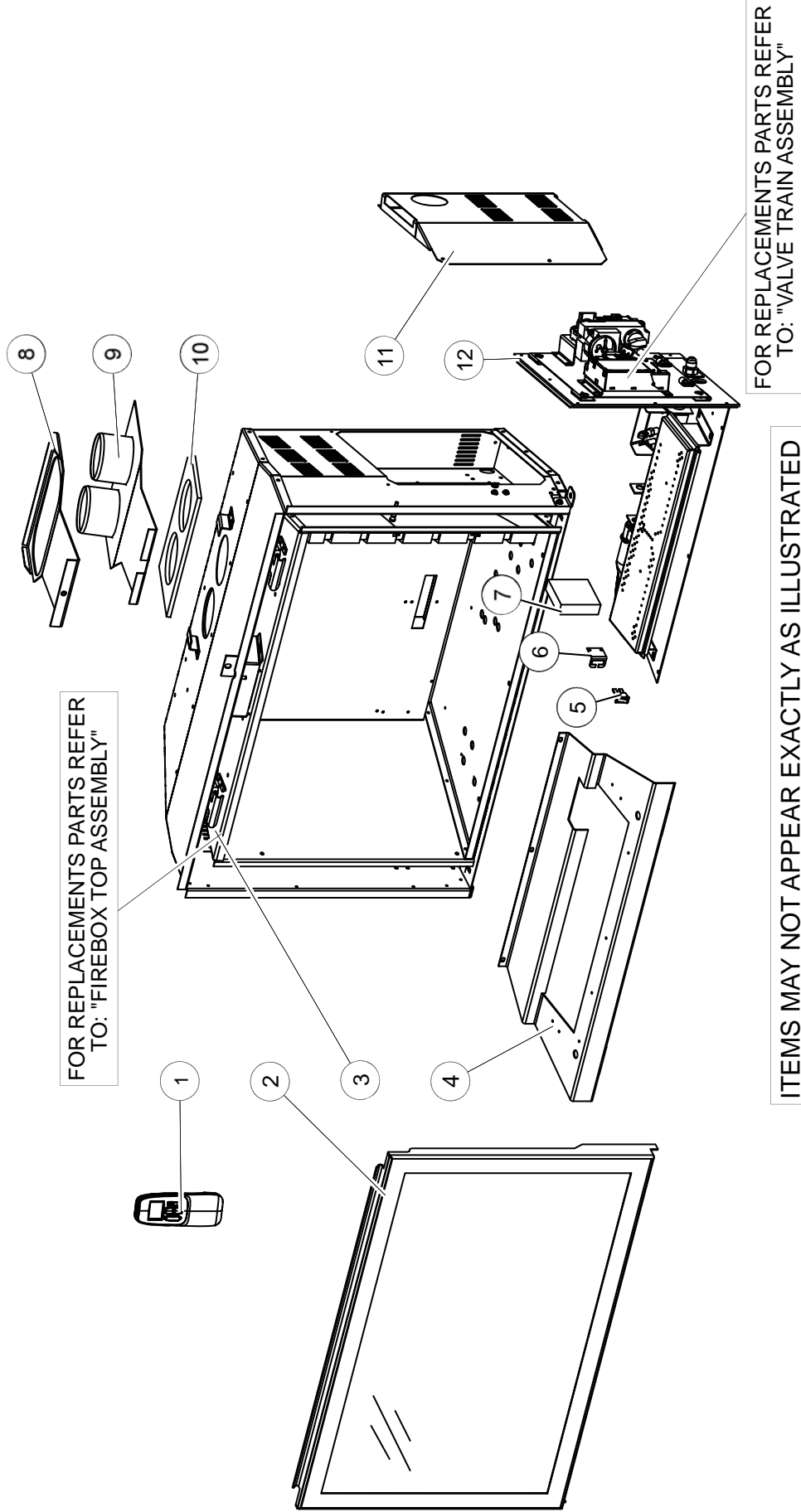
- Model & Serial Number of appliance
- Installation date of appliance
- Part number
- Description of part
- Finish

**\* IDENTIFIES ITEMS WHICH ARE NOT ILLUSTRATED. FOR FURTHER INFORMATION, CONTACT YOUR AUTHORIZED DEALER.**

**WARNING**

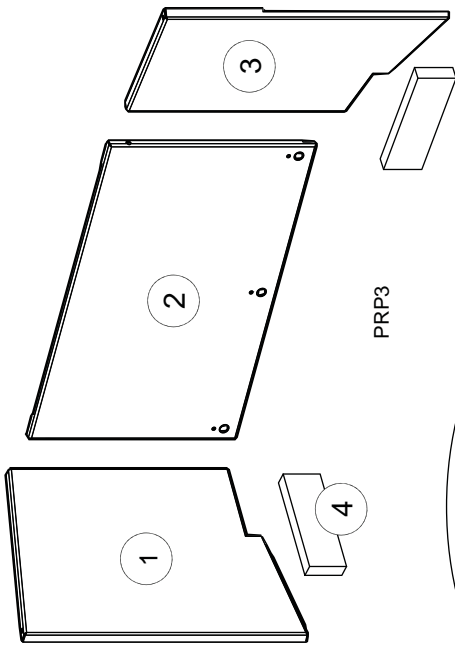
**FAILURE TO POSITION THE PARTS IN ACCORDANCE WITH THIS MANUAL OR FAILURE TO USE ONLY PARTS SPECIFICALLY APPROVED WITH THIS APPLIANCE MAY RESULT IN PROPERTY DAMAGE OR PERSONAL INJURY.**

# 10.0 OVERVIEW

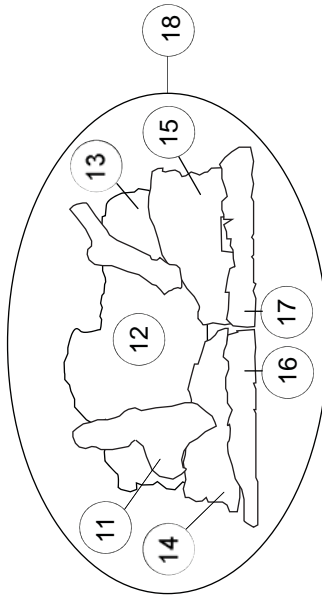


REF. NO.	PART NUMBER	DESCRIPTION
1	W660-0143	HAND HELD REMOTE CONTROL
2	W010-2702	DOOR ASSEMBLY
3	W010-2742	FIREBOX TOP ASSEMBLY
4	W200-0381	BURNER COVER
5	W750-0289	ON/OFF SWITCH
6	W080-1315	SWITCH BRACKET
7	W350-0685	BATTERY HOUSING

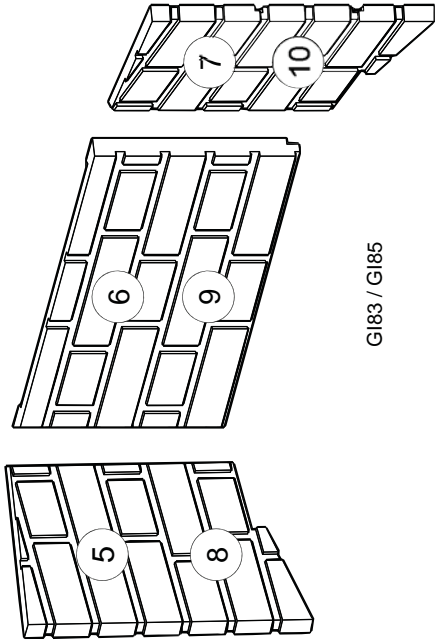
REF. NO.	PART NUMBER	DESCRIPTION
8	W010-2651	VENT SLIDE ASSEMBLY
9	W010-2628	VENT MOUNTING PLATE ASSEMBLY
10	W290-0183	VENT CONNECTION GASKET
11	W475-0872	OUTER PANEL
12	W010-3032	VALVE TRAIN ASSEMBLY



PRP3



GL-676



GI83 / GI85

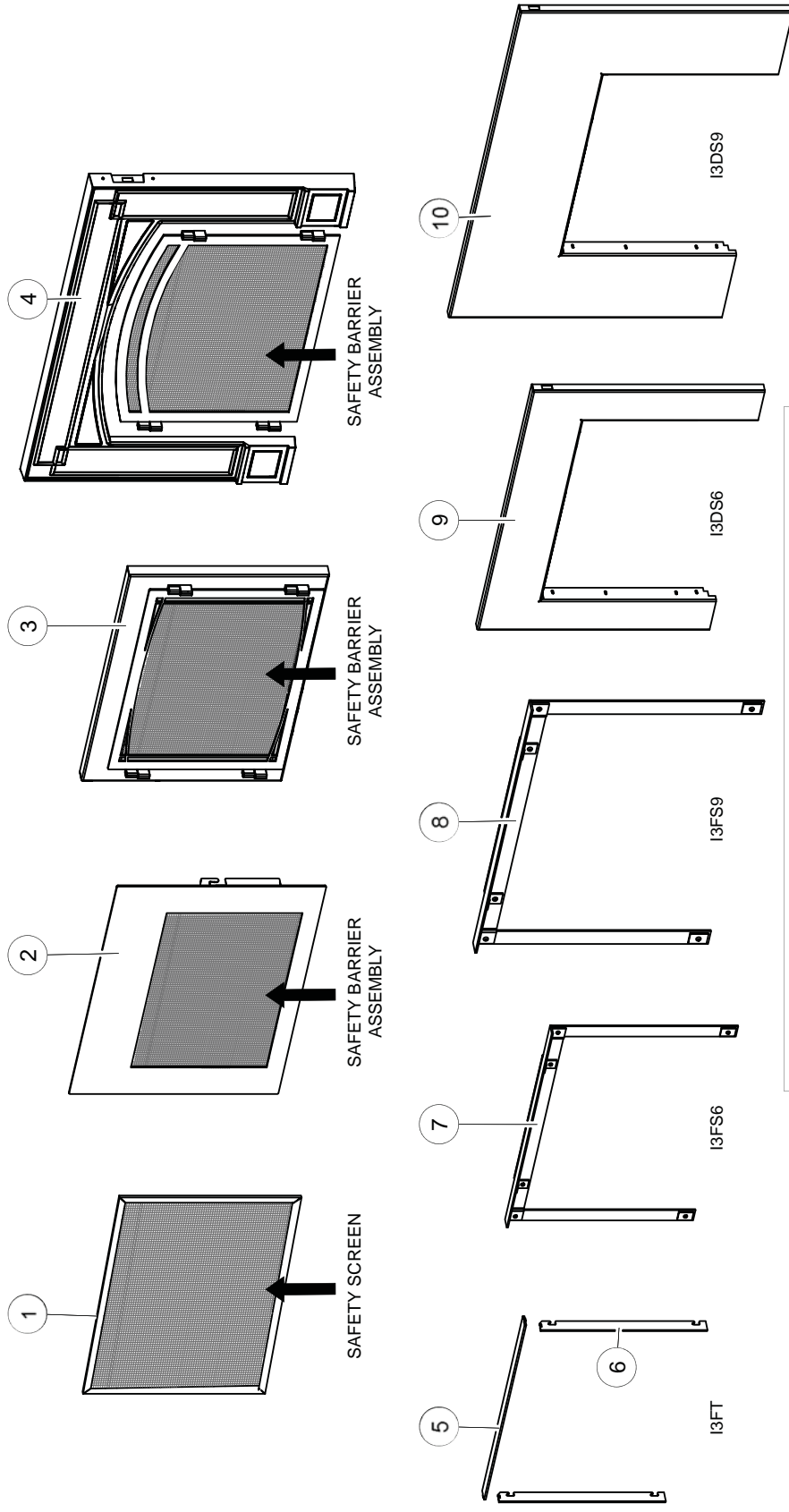


ITEMS MAY NOT APPEAR EXACTLY AS ILLUSTRATED

REF. NO.	PART NUMBER	DESCRIPTION
1	W500-0615	LEFT SIDE PORCELAIN PANEL (PRP3)
2	W500-0617	REAR PORCELAIN PANEL (PRP3)
3	W500-0616	RIGHT SIDE PORCELAIN PANEL (PRP3)
4	W500-0616	CERAMIC SIDE PANELS (X2) (PRP3)
5	W475-0797	NEW PORT LEFT SIDE BRICK PANEL (GI83)
6	W475-0799	NEW PORT REAR BRICK PANEL (GI83)
7	W475-0798	NEW PORT RIGHT SIDE BRICK PANEL (GI83)
8	W475-0815	OLD ENGLISH LEFT SIDE BRICK PANEL (GI85)
9	W475-0813	OLD ENGLISH REAR BRICK PANEL (GI85)
10	W475-0814	OLD ENGLISH RIGHT SIDE BRICK PANEL (GI85)
11	W135-0468	LEFT CROSSOVER LOG
12	W135-0470	REAR LOG

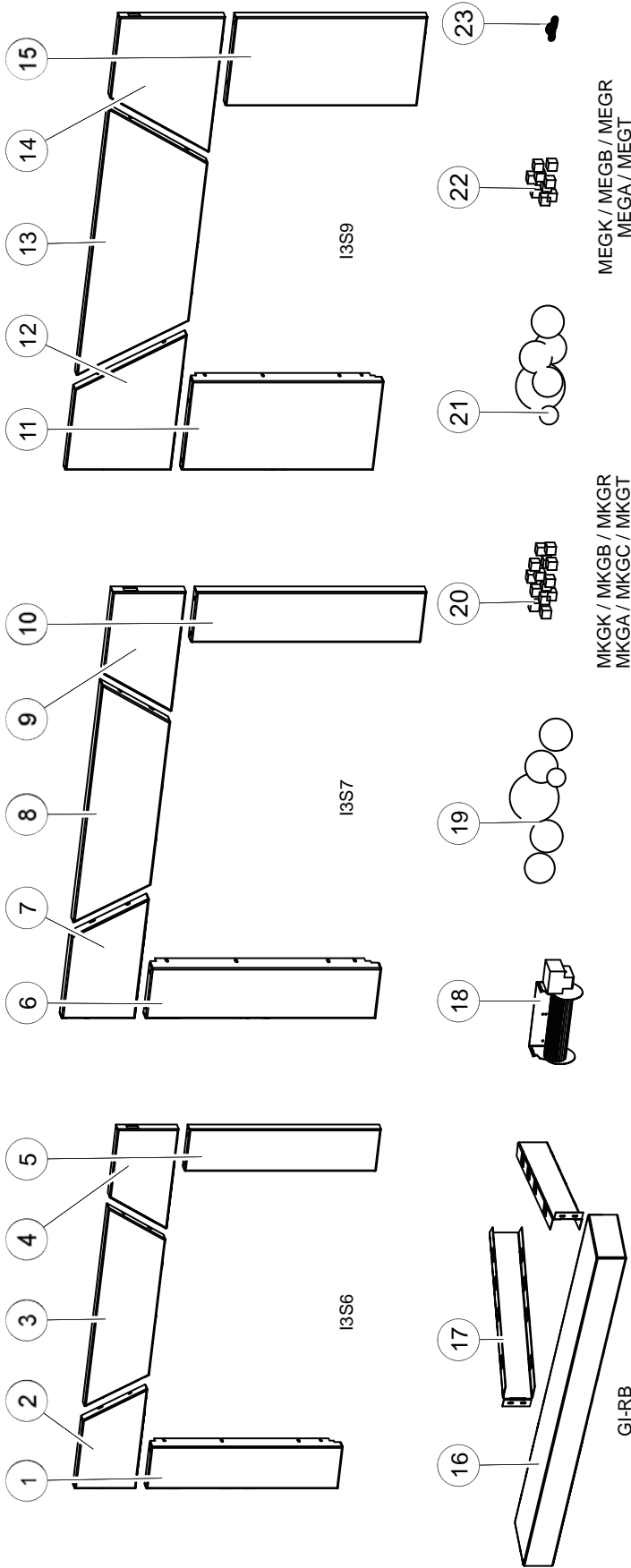
REF. NO.	PART NUMBER	DESCRIPTION
13	W135-0467	RIGHT CROSSOVER LOG
14	W135-0466	LEFT SIDE FRONT LOG
15	W135-0465	RIGHT SIDE FRONT LOG
16	W135-0471	LEFT SIDE CHARCOAL LOG
17	W135-0469	RIGHT SIDE CHARCOAL LOG
18	GL-676	LOG SET
19	W530-0037	MIN. RATE SCREW REGULATOR (LP CONVERSION)
20	W456-0055	ORIFICE # 55 (LP CONVERSION)
21	GI83	DECORATIVE NEWPORT BRICK PANEL KIT
22	GI85	DECORATIVE OLD ENGLISH BRICK PANEL KIT
23	PRP3	PORCELAIN REFLECTIVE RADIANT PANEL KIT

# 11.0 ACCESSORIES



ITEMS MAY NOT APPEAR EXACTLY AS ILLUSTRATED

REF. NO	PART NUMBER	DESCRIPTION	REF. NO	PART NUMBER	DESCRIPTION
1	W565-0133	SAFETY SCREEN (I3SS)	7	W010-2697	SMALL PREMIUM SCALLOPED FRAME
2	I3CRFSB (K/SS/MK/WI)	CONTEMPORARY RECTANGULAR FRONT	8	I3FS9	LARGE PREMIUM SCALLOPED FRAME
3	I3DZ SB (K/SS/MK/WI)	MODERN ZEN DOOR	9	W715-0891	SMALL DELUXE SURROUND (I3DS6)
4	C13SSB	CAST IRON SURROUND	10	W715-0905	LARGE DELUXE SURROUND (I3DS9)
5	W715-0908	TOP TRIM (I3FT)			
6	W715-0909	SIDE TRIM (X2) (I3FT)			

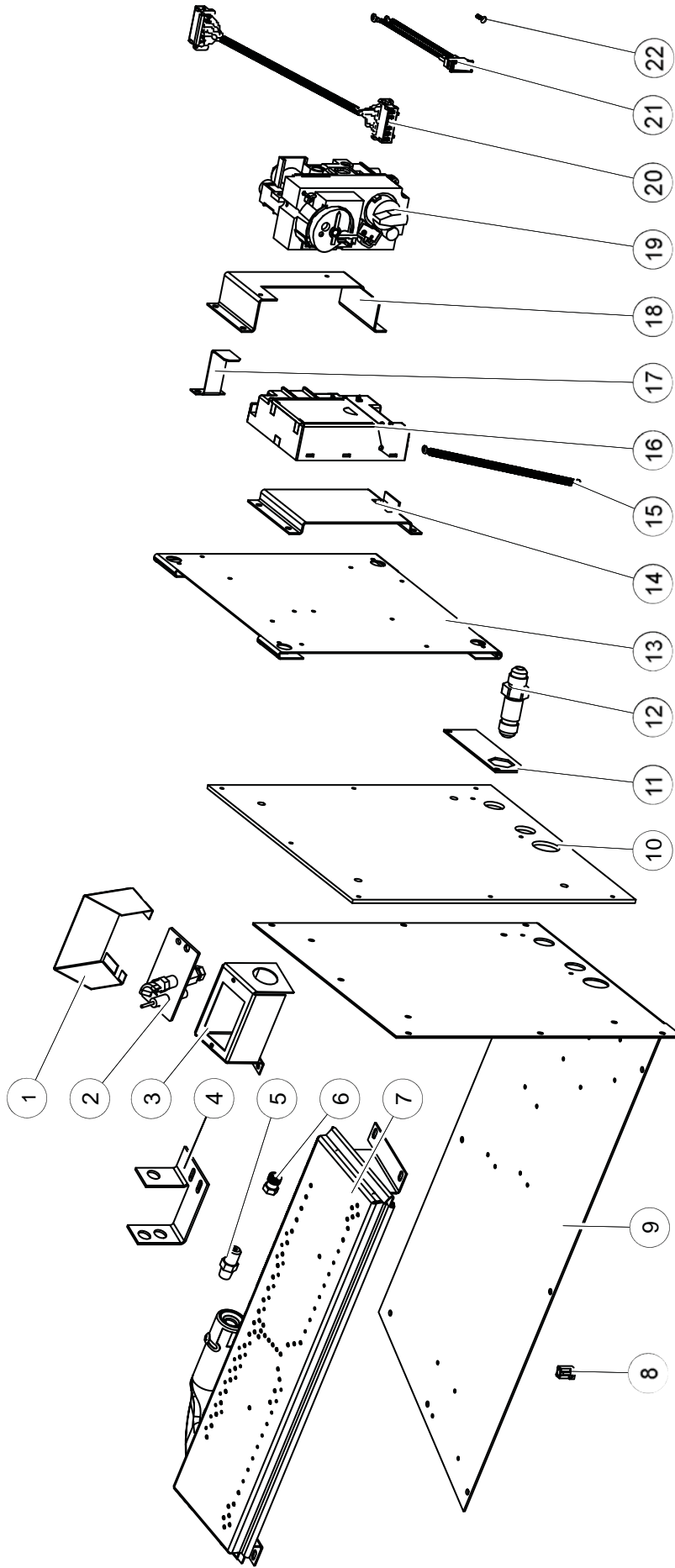


ITEMS MAY NOT APPEAR EXACTLY AS ILLUSTRATED

REF. NO	PART NUMBER	DESCRIPTION
1	W263-0121	BOTTOM LEFT FLASHING (13S6)
2	W263-0120	TOP LEFT FLASHING (13S6)
3	W263-0119	CENTER FLASHING (13S6)
4	W263-0118	TOP RIGHT FLASHING (13S6)
5	W263-0117	BOTTOM RIGHT FLASHING (13S6)
6	W263-0172	BOTTOM LEFT FLASHING (13S7)
7	W263-0169	TOP LEFT FLASHING (13S7)
8	W263-0170	CENTER FLASHING (13S7)
9	W263-0168	TOP RIGHT FLASHING (13S7)
10	W263-0171	BOTTOM RIGHT FLASHING (13S7)
11	W263-0126	BOTTOM LEFT FLASHING (13S7)
12	W263-0125	TOP LEFT FLASHING (13S7)

REF. NO	PART NUMBER	DESCRIPTION
13	W263-0124	CENTER FLASHING (13S7)
14	W263-0123	TOP RIGHT FLASHING (13S7)
15	W263-0122	BOTTOM RIGHT FLASHING (13S7)
16	W715-0561	HEARTH TRIM (GI-RB)
17	W525-0022	RAILS (GI-RB) (X2)
18	I3BK	BLOWER KIT
19	MKRY / MKRM	RIVER ROCK MEDIA KIT
20	GLASS MEDIA	MEDIA KIT (VARIOUS COLOURS)
21	MKRY3	RIVER ROCK MEDIA KIT (GREY)
22	GLASS MEDIA	MEDIA ENHANCEMENT KIT (VARIOUS COLOURS)
23	W385-0334	NAPOLEON LOGO

# 12.0 VALVE TRAIN ASSEMBLY

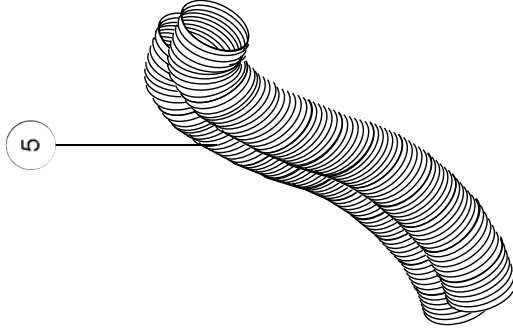
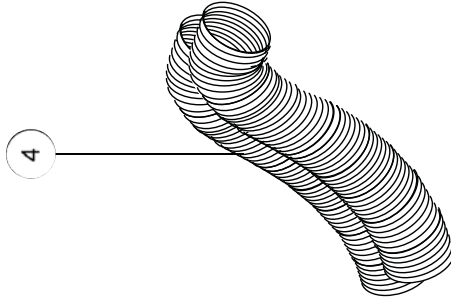
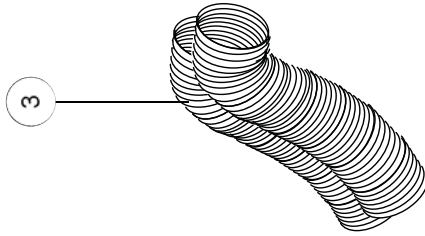
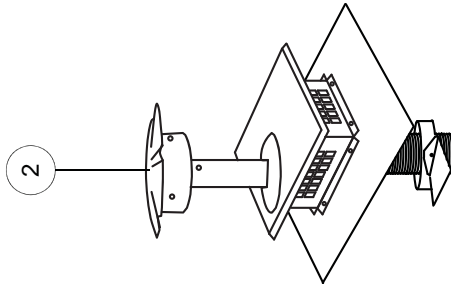
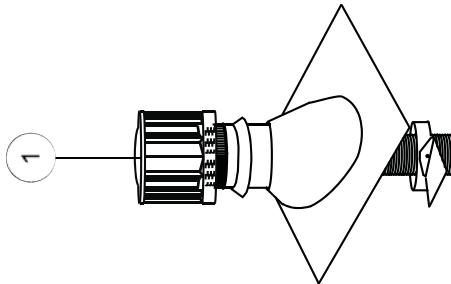


ITEMS MAY NOT APPEAR EXACTLY AS ILLUSTRATED

REF. NO.	PART NUMBER	PART DESCRIPTION
1	W585-0796	PILOT SHIELD
2	W010-3031	PILOT ASSEMBLY
3	W080-1313	PILOT BRACKET
4	W080-1189	ORIFICE BRACKET
5	W456-0042	BURNER ORIFICE #42 (NG)
5	W456-0054	BURNER ORIFICE #54 (LP)
6	W255-0039	3/8" PIPE FITTING
7	W100-0133	BURNER PAN
8	W670-0015	INTERRUPTEUR BLOCK
9	W710-0050	BURNER TRAY
10	W290-0180	BURNER TRAY GASKET
11	W500-0610	SECURING PLATE

REF. NO.	PART NUMBER	PART DESCRIPTION
12	N255-0002	BULKHEAD FITTING
13	W585-0801	HEAT SHIELD
14	W655-0471	RECEIVER SUPPORT
15	W750-0288	RECEIVER WIRE
16	W660-0142	RECEIVER
17	W500-0728	IPI RETAINER
18	W655-0470	VALVE SUPPORT
19	W725-0068	VALVE
20	W750-0287	8 PIN WIRE HARNESS
21	W750-0289	THERMOCOUPLE ON/OFF SWITCH
22	W530-0036	MIN. RATE SCREW (NG)
22	W530-0037	MIN. RATE SCREW (LP)

# 13.0 VENTING



ITEMS MAY NOT APPEAR EXACTLY AS ILLUSTRATED

REF. NO.	PART NUMBER	DESCRIPTION
1	GDI-226	CO-LINEAR TERMINAL (HIGH WIND)
2	GDI-223	INSERT TERMINAL
3	GDI-320KT	VENT KIT 20FT
4	GDI-325KT	VENT KIT 25FT
5	GDI-335KT	VENT KIT 35FT



## 14.0 TROUBLESHOOTING

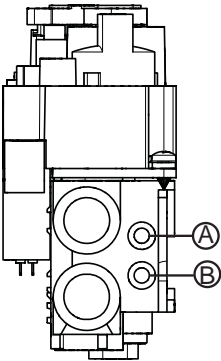
**! WARNING**

**ALWAYS LIGHT THE PILOT WHETHER FOR THE FIRST TIME OR IF THE GAS SUPPLY HAS RAN OUT, WITH THE GLASS DOOR OPEN OR REMOVED.**

**TURN OFF THE GAS AND ELECTRICAL POWER BEFORE SERVICING THE APPLIANCE.**

**APPLIANCE MAY BE HOT, DO NOT SERVICE UNTIL APPLIANCE HAS COOLED.**

**DO NOT USE ABRASIVE CLEANERS.**

SYMPTOM	PROBLEM	TEST SOLUTION															
Main burner flame is a blue, lazy, transparent flame.	Blockage in vent.	<ul style="list-style-type: none"> <li>Remove blockage. In really cold conditions, ice buildup may occur on the terminal and should be removed as required. To minimize this from happening again, it is recommended that the vent lengths that pass through unheated spaces (attics, garages, crawl spaces) be wrapped with an insulated mylar sleeve. Prevent sleeve from sagging. Contact your local authorized dealer for more information.</li> </ul>															
Flames are consistently too large or too small. Carboning occurs.	Appliance is over-fired or underfired. 	<ul style="list-style-type: none"> <li> <b>Check pressure readings:</b>  <i>Inlet pressure</i> can be checked by turning screw (A) counter-clockwise 2 or 3 turns and then placing pressure gauge tubing over the test point. Gauge should read as described on the chart below. Check that main burner is operating on 'HI'. <i>Outlet pressure</i> can be checked the same as above using screw (B). Gauge should read as described on the chart below. Check that main burner is operating on 'HI'. <b>AFTER TAKING PRESSURE READINGS, BE SURE TO TURN SCREWS CLOCKWISE FIRMLY TO RESEAL. DO NOT OVER TORQUE.</b> Leak test with a soap and water solution.           </li> </ul> <table border="1"> <thead> <tr> <th>Pressure</th> <th>Natural Gas (inches)</th> <th>Natural Gas (millibars)</th> <th>Propane (inches)</th> <th>Propane (millibars)</th> </tr> </thead> <tbody> <tr> <td>Inlet</td> <td>7" (MIN. 4.5")</td> <td>17.4mb (MIN. 11.2mb)</td> <td>13" (MIN. 11")</td> <td>32.4mb (MIN. 27.4mb)</td> </tr> <tr> <td>Outlet</td> <td>3.5"</td> <td>8.7mb</td> <td>10"</td> <td>24.9mb</td> </tr> </tbody> </table>	Pressure	Natural Gas (inches)	Natural Gas (millibars)	Propane (inches)	Propane (millibars)	Inlet	7" (MIN. 4.5")	17.4mb (MIN. 11.2mb)	13" (MIN. 11")	32.4mb (MIN. 27.4mb)	Outlet	3.5"	8.7mb	10"	24.9mb
Pressure	Natural Gas (inches)	Natural Gas (millibars)	Propane (inches)	Propane (millibars)													
Inlet	7" (MIN. 4.5")	17.4mb (MIN. 11.2mb)	13" (MIN. 11")	32.4mb (MIN. 27.4mb)													
Outlet	3.5"	8.7mb	10"	24.9mb													
Carbon is being deposited on glass, logs, rocks, media or combustion chamber surfaces.	Air shutter has become blocked. Flame is impinging on the glass, logs, rocks, media or combustion chamber.	<ul style="list-style-type: none"> <li>Ensure air shutter opening is free of lint or other obstructions.</li> <li>Check that the glass, logs, rocks, media are correctly positioned.</li> <li>Open air shutter to increase the primary air.</li> <li>Check the input rate: check the manifold pressure and orifice size as specified by the rating plate.</li> <li>Check that the door gasketing is not broken or missing and that the seal is tight.</li> <li>Check that both vent liners are free of holes and well sealed at all joints.</li> <li>Check that minimum rise per foot (meters) has been adhered to for any horizontal venting.</li> </ul>															
White / grey film forms.	Sulphur from fuel is being deposited on glass, logs or combustion chamber surfaces.	<ul style="list-style-type: none"> <li>Clean the glass with a recommended gas fireplace glass cleaner. <b>DO NOT CLEAN GLASS WHEN HOT.</b></li> <li>If deposits are not cleaned off regularly, the glass may become permanently marked.</li> </ul>															
No spark after pilot ignition. Valve turns off in one minute and does not operate.	Minimal voltage from thermocouple or resistance in circuit (Parts resulting in resistance include: "ON/OFF" switch, receiver, thermocurrent connections or temperature switches).	<ul style="list-style-type: none"> <li>Measure the voltage, it should read a least 5mV. The spade connector is on the outer surface beside the magnet nut. Verify with manufacturer the drop time, after thermocouple is heated measure the drop time.</li> </ul>															

SYMPTOM	PROBLEM	TEST SOLUTION
Exhaust fumes smelled in room, headaches.	Appliance is spilling.	<ul style="list-style-type: none"> <li>- Check door seal.</li> <li>- Check for exhaust damage.</li> <li>- Check that venting is installed correctly.</li> <li>- Room is in negative pressure; increase fresh air supply.</li> </ul>
	Pilot will not light. Makes noise with no spark at pilot burner.	<ul style="list-style-type: none"> <li>- Verify the wire for the ignitor are correctly connected to the module and pilot assembly.</li> </ul>
No pilot ignition (5 second continuous beep).	Loose connection.	<ul style="list-style-type: none"> <li>- Verify no loose connections, electrical shorts in the wiring or ground out to any metal object.</li> </ul>
	Igniter Spark gap is incorrect.	<ul style="list-style-type: none"> <li>- Spark gap of the ignitor to the pilot should be .125" (3.2mm).</li> </ul>
	No signal from remote with no pilot ignition.	<ul style="list-style-type: none"> <li>- Reprogram receiver code.</li> <li>- Replace receiver.</li> </ul>
	Switch is in "OFF" position on the valve.	<ul style="list-style-type: none"> <li>- Switch to "ON" position.</li> </ul>
Pilot sparks but will not light.	Wiring is loose.	<ul style="list-style-type: none"> <li>- Ensure wiring is properly secured.</li> </ul>
	Receiver	<ul style="list-style-type: none"> <li>- Reset program as follows: Hold reset button on the receiver and wait for 2 beeps. Release after second beep. Press the small flame button on the remote within 20 seconds, you will hear an additional beep (this signals that the receiver has been successfully reset).</li> <li>- Replace receiver.</li> </ul>
	Wire connector pins are bent.	<ul style="list-style-type: none"> <li>- Straighten pins.</li> </ul>
	Valve wiring is damaged.	<ul style="list-style-type: none"> <li>- Replace valve.</li> </ul>
	Gas supply.	<ul style="list-style-type: none"> <li>- Verify that the incoming gas line ball valve is "Open".</li> <li>- Verify that the inlet pressure reading is within acceptable limits, inlet pressures must not exceed 14" W.C. (34.9mb).</li> </ul>
	Out of propane gas.	<ul style="list-style-type: none"> <li>- Fill the tank.</li> </ul>
Pilot sparks but will not light.	Pilot supply line may contain air.	<ul style="list-style-type: none"> <li>- Repeat ignition process several times or purge the pilot supply line.</li> </ul>
	Valve.	<ul style="list-style-type: none"> <li>- Check valve and replace if necessary (Careful not to overtighten the thermocouple).</li> <li>- Check ground connection on valve and tighten screw if loose.</li> </ul>
	Receiver	<ul style="list-style-type: none"> <li>- Reset program as follows: Hold reset button on the receiver and wait for 2 beeps. Release after second beep. Press the small flame button on the remote within 20 seconds, you will hear an additional beep (this signals that the receiver has been successfully reset).</li> <li>- Replace receiver.</li> </ul>
	Incorrect wiring of thermocouple	<ul style="list-style-type: none"> <li>- Ensure correct polarity of wiring.</li> </ul>
	Continues to spark and pilot lights, but main burner will not light.	<ul style="list-style-type: none"> <li>- Short or loose connection in sensor rod.</li> </ul>
Appliance won't perform any functions.	Thermocouple or connections are damaged	<ul style="list-style-type: none"> <li>- Verify the thermocouple is clean and the wiring between it and the valve is undamaged.</li> <li>- Verify the interruptor block is not damaged or too tight.</li> </ul>
	No power to the system.	<ul style="list-style-type: none"> <li>- Check breaker to verify it's in the "ON" position.</li> </ul>
Appliance won't perform any functions.	Transmitter isn't operational.	<ul style="list-style-type: none"> <li>- Check battery power and battery orientation.</li> </ul>

SYMPTOM	PROBLEM	TEST SOLUTION
Pilot lights. No gas flow.	Valve is not functioning properly.	- Valve is on pilot flow. Turn to to the high setting, double click the large flame button on the remote. - Replace valve. Do not overtighten the thermocouple.
	Manual override knob is in the "MAN" position.	- Turn the knob to the "ON" position.
Remote is not functioning.	Receiver has low battery.	- Replace batteries.
	Remote has low battery.	- Replace batteries (4 AA batteries).
	Error with synchronizing receiver and remote.	- Reset receiver and remote.
	Remote is too far away from receiver.	- Refer to "WIRING DIAGRAM" section.
Receiver is not functioning properly.	Low / Dead battery.	Replace batteries (receiver and/or remote).
	Receiver not communicating properly.	- Hold reset button on the receiver and wait for 2 beeps. Release after second beep. Press the small flame button on the remote within 20 seconds, you will hear an additional beep (this signals that the receiver has been successfully reset).
	Wire connector pins are bent.	- Straighten pins.
	Valve wiring is damaged.	- Replace valve.
Motor is turning, frequent beeping occurs.	Receiver batteries are low.	- Replace batteries.

42.31\_3

## 15.0 WARRANTY

NAPOLEON® products are manufactured under the strict Standard of the world recognized ISO 9001 : 2008 Quality Assurance Certificate.

NAPOLEON® products are designed with superior components and materials assembled by trained craftsmen who take great pride in their work. The burner and valve assembly are leak and test-fired at a quality test station. The complete appliance is again thoroughly inspected by a qualified technician before packaging to ensure that you, the customer, receives the quality product that you expect from NAPOLEON®.

### NAPOLEON® GAS APPLIANCE PRESIDENT'S LIFETIME LIMITED WARRANTY

The following materials and workmanship in your new NAPOLEON® gas appliance are warranted against defects for as long as you own the appliance. This covers: combustion chamber, heat exchanger, stainless steel burner, phazer™ logs and embers, rocks, ceramic glass (thermal breakage only), gold plated parts against tarnishing, porcelainized enameled components and aluminum extrusion trims.\*

Electrical (110V and millivolt) components and wearable parts such as blowers, gas valves, thermal switch, switches, wiring, remote controls, ignitor, gasketing, and pilot assembly are covered and NAPOLEON® will provide replacement parts free of charge during the first year of the limited warranty.\*

Labour related to warranty repair is covered free of charge during the first year. Repair work, however, requires the prior approval of an authorized company official. Labour costs to the account of NAPOLEON® are based on a predetermined rate schedule and any repair work must be done through an authorized NAPOLEON® dealer.

\* Construction of models vary. Warranty applies only to components included with your specific appliance.

### CONDITIONS AND LIMITATIONS

NAPOLEON® warrants its products against manufacturing defects to the original purchaser only. Registering your warranty is not necessary. Simply provide your proof of purchase along with the model and serial number to make a warranty claim. NAPOLEON® reserves the right to have its representative inspect any product or part thereof prior to honouring any warranty claim. Provided that the purchase was made through an authorized NAPOLEON® dealer your appliance is subject to the following conditions and limitations:

Warranty coverage begins on the date of original installation.

This factory warranty is non-transferable and may not be extended whatsoever by any of our representatives.

The gas appliance must be installed by a licensed, authorized service technician or contractor. Installation must be done in accordance with the installation instructions included with the product and all local and national building and fire codes.

This limited warranty does not cover damages caused by misuse, lack of maintenance, accident, alterations, abuse or neglect and parts installed from other manufacturers will nullify this warranty.

This limited warranty further does not cover any scratches, dents, corrosion or discoloring caused by excessive heat, abrasive and chemical cleaners nor chipping on porcelain enamel parts, mechanical breakage of PHAZER™ logs and embers.

This warranty extends to the repair or replacement of warranted parts which are defective in material or workmanship provided that the product has been operated in accordance with the operation instructions and under normal conditions.

After the first year, with respect to this President's Lifetime Limited Warranty, NAPOLEON® may, at its discretion, fully discharge all obligations with respect to this warranty by refunding to the original warranted purchaser the wholesale price of any warranted but defective part(s).

NAPOLEON® will not be responsible for installation, labour or any other expenses related to the reinstallation of a warranted part and such expenses are not covered by this warranty.

Notwithstanding any provisions contained in the President's Lifetime Limited Warranty, NAPOLEON'S responsibility under this warranty is defined as above and it shall not in any event extend to any incidental, consequential or indirect damages.

This warranty defines the obligations and liability of NAPOLEON® with respect to the NAPOLEON® gas appliance and any other warranties expressed or implied with respect to this product, its components or accessories are excluded.

NAPOLEON® neither assumes, nor authorizes any third party to assume, on its behalf, any other liabilities with respect to the sale of this product.

NAPOLEON® will not be responsible for: over-firing, downdrafts, spillage caused by environmental conditions such as rooftops, buildings, nearby trees, hills, mountains, inadequate vents or ventilation, excessive venting configurations, insufficient makeup air, or negative air pressures which may or may not be caused by mechanical systems such as exhaust fans, furnaces, clothes dryers, etc.

Any damages to the appliance, combustion chamber, heat exchanger, plated trim or other components due to water, weather damage, long periods of dampness, condensation, damaging chemicals or cleaners will not be the responsibility of NAPOLEON®.

All parts replaced under the President's Limited Lifetime Warranty Policy are subject to a single claim.

During the first 10 years NAPOLEON® will replace or repair the defective parts covered by the lifetime warranty at our discretion free of charge. From 10 years to life, NAPOLEON® will provide replacement parts at 50% of the current retail price.

All parts replaced under the warranty will be covered for a period of 90 days from the date of their installation.

The manufacturer may require that defective parts or products be returned or that digital pictures be provided to support the claim. Returned products are to be shipped prepaid to the manufacturer for investigation. If a product is found to be defective, the manufacturer will repair or replace such defect.

Before shipping your appliance or defective components, your dealer must obtain an authorization number. Any merchandise shipped without authorization will be refused and returned to sender.

Shipping costs are not covered under this warranty.

Additional service fees may apply if you are seeking warranty service from a dealer.

Warranty labour allowance is only for the replacement of the warranted part. Travel, diagnostic tests, shipping and other related charges are not covered by this warranty.

ALL SPECIFICATIONS AND DESIGNS ARE SUBJECT TO CHANGE WITHOUT PRIOR NOTICE DUE TO ON-GOING PRODUCT IMPROVEMENTS. NAPOLEON® IS A REGISTERED TRADEMARK OF WOLF STEEL LTD.

AS REQUIRED BY THE DEPARTMENT OF ENERGY IN THE UNITED STATES, 10 CFR PART 430, THE WARRANTY IS VOID IF THIS PRODUCT IS USED WITH A THERMOSTAT. THIS APPLIES TO PRODUCT INSTALLED IN THE UNITED STATES, ONLY.







Other Napoleon Products



Fireplace Inserts • Charcoal Grills • Gas Fireplaces • Waterfalls • Wood Stoves  
Heating & Cooling • Electric Fireplaces • Outdoor Fireplaces • Gourmet Grills



24 Napoleon Road, Barrie, Ontario, Canada L4M 0G8  
214 Bayview Drive, Barrie, Ontario, Canada L4N 4Y8  
103 Miller Drive, Crittenden, Kentucky, USA 41030  
7200 Trans Canada Highway, Montreal, Quebec, Canada H4T 1A3

Fireplaces / Heating & Cooling call: 705-721-1212 • Grills call: 705-726-4278  
napoleonproducts.com



INSTALLATEUR : LAISSEZ CE MANUEL AVEC L'APPAREIL.  
PROPRIÉTAIRE : CONSERVEZ CE MANUEL POUR CONSULTATION ULTÉRIEURE.  
NE LAISSEZ PAS LES ENFANTS OU AUTRES INDIVIDUS À RISQUE SEULS À PROXIMITÉ DE L'APPAREIL.



# INSTRUCTIONS D'INSTALLATION ET D'OPÉRATION

FR

CONFORME AUX LES NORMES NATIONALES AMÉRICAINES: ANSI Z21.50, CERTIFIÉ CANADIENNES: CSA 2.22 FOYER À GAZ VENTILÉ.

CERTIFIÉ POUR LE CANADA ET LES ÉTATS-UNIS SELON LES MÉTHODES ANSI/CSA.

## CONSIGNES DE SÉCURITÉ

### **! AVERTISSEMENT**

Si ces instructions ne sont pas suivies à la lettre, un incendie ou une explosion pourraient s'ensuivre, causant des dommages matériels, des blessures corporelles ou des pertes de vie.

- N'entreposez pas et n'utilisez pas d'essence ou autres liquides et vapeurs inflammables à proximité de cet appareil ou tout autre appareil.
- QUE FAIRE SI VOUS DÉTECTEZ UNE ODEUR DE GAZ :
  - N'allumez aucun appareil.
  - Ne touchez à aucun interrupteur électrique; n'utilisez aucun téléphone dans votre immeuble.
  - Appelez immédiatement votre fournisseur de gaz d'un téléphone voisin. Suivez ses instructions.
  - Si vous ne pouvez pas rejoindre votre fournisseur de gaz, appelez le service des incendies.
- L'installation et l'entretien doivent être faits par un installateur qualifié, une agence d'entretien ou le fournisseur.

Cet appareil peut être installé dans une maison préfabriquée (mobile) déjà installée à demeure si les règlements locaux le permettent.

Cet appareil doit être utilisé uniquement avec le type de gaz indiqué sur la plaque signalétique. Cet appareil ne peut être converti à d'autres gaz, sauf si une trousse de conversion est utilisée.

Produit décoratif : Ne pas utiliser comme appareil de chauffage.

APPOSEZ L'ÉTIQUETTE DU NUMÉRO DE SÉRIE DU CARTON



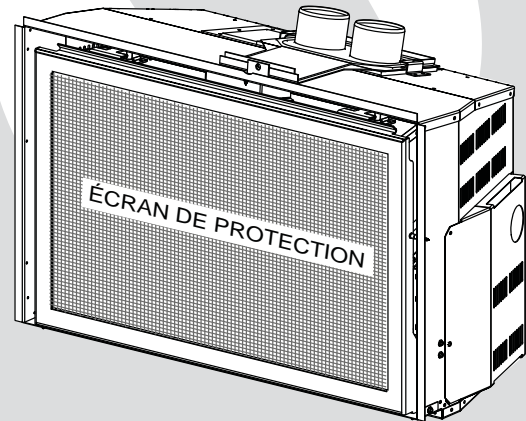
ÉCRAN DE PROTECTION



Système de qualité certifié  
**ISO**  
9001-2008



**IR3N-1**  
GAZ NATUREL  
**IR3P-1**  
PROPANE



### **! AVERTISSEMENT**

LA VITRE CHAUDE CAUSERA  
DES BRÛLURES.



NE PAS TOUCHER LA VITRE  
AVANT QU'ELLE AIT REFROIDI.

NE JAMAIS LAISSER LES  
ENFANTS TOUCHER LA VITRE.

Une barrière conçu à réduire le risque de brûlures à partir de la chaude la vitre est à condition que avec l'appareil et sera être installés.

Wolf Steel Ltd., 24 Napoleon Rd., Barrie, ON, L4M 0G8 Canada /  
103 Miller Drive, Crittenden, Kentucky, USA, 41030

Téléphone 705-721-1212 • Télécopieur 705-722-6031 • [www.napoleonfoyers.com](http://www.napoleonfoyers.com) • [ask@napoleon.on.ca](mailto:ask@napoleon.on.ca)

# TABLE DES MATIÈRES

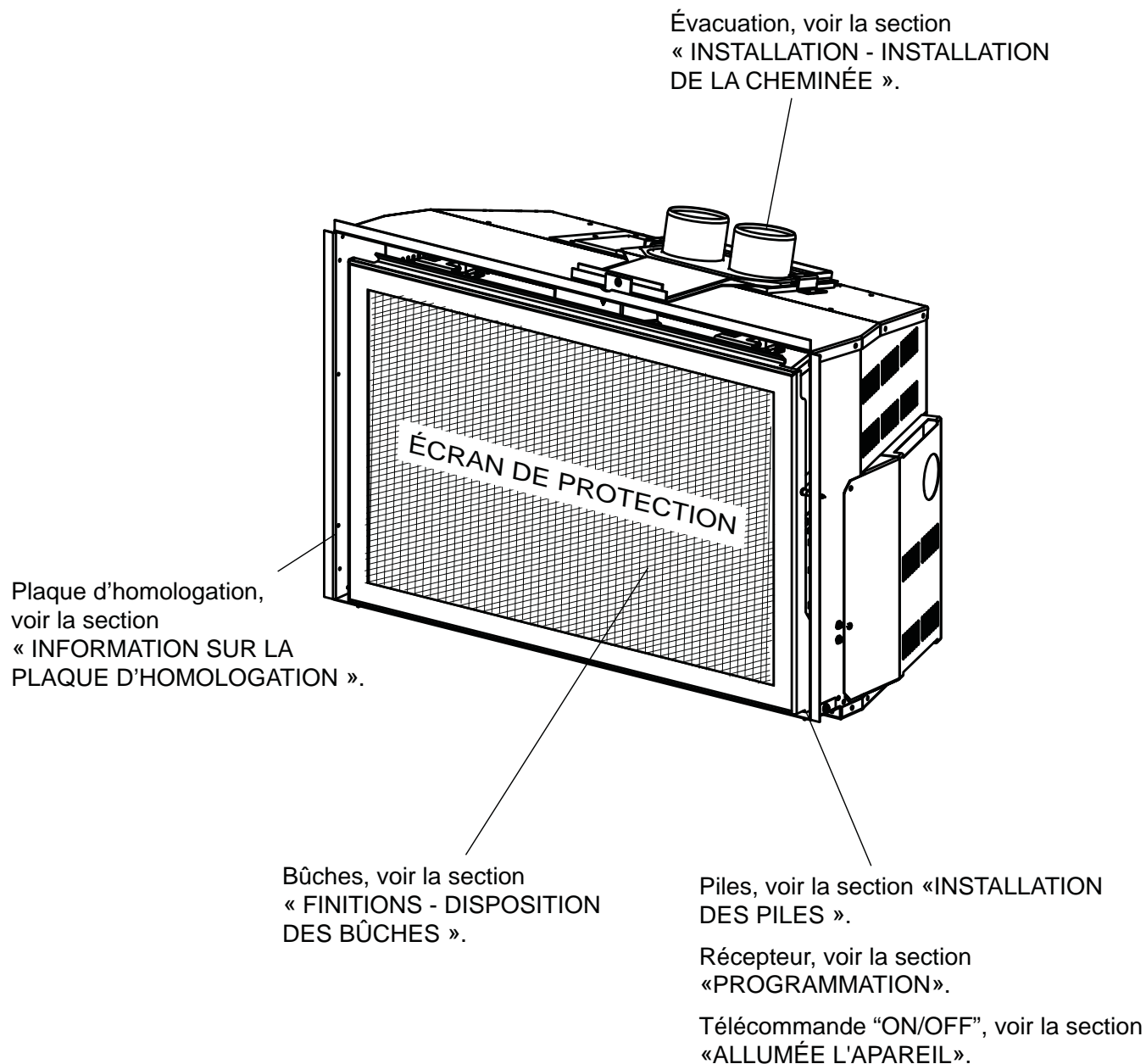


**NOTE:** L'icône du camera indique que les vidéos sont disponibles comme une référence supplémentaire, visitez <http://www.napoleonfireplaces.com/category/product-support/support-centre/>

<b>1.0</b>	<b>VUE D'ENSEMBLE DE L'INSTALLATION</b>	<b>43</b>
<b>2.0</b>	<b>INTRODUCTION</b>	<b>44</b>
2.1	DIMENSIONS	45
2.2	DÉGAGEMENTS MINIMAUX AUX MATÉRIAUX COMBUSTIBLES	45
2.3	INSTRUCTIONS GÉNÉRALES	45
2.4	INFORMATION GÉNÉRALE	46
2.5	PLAQUE D'HOMOLOGATION	47
<b>3.0</b>	<b>INSTALLATION</b>	<b>48</b>
3.1	MISE À NIVEAU DE L'ENCASTRÉ	48
3.2	INSTALLATION DE LA CHEMINÉE	49
3.3	BRANCHEMENT DU GAZ	50
<b>4.0</b>	<b>FINITIONS</b>	<b>50</b>
4.1	DÉGAGEMENTS MINIMAUX DE LA TABLETTE	51
4.2	ENLÈVEMENT ET INSTALLATION DE LA PORTE	52
4.3	DISPOSITION DES BÛCHES	53
4.4	PLACEMENT DES ROCHES OPTIONNELLE	54
4.5	BRAISES INCANDESCENTES	54
4.6	MISE EN PLACE DU LOGO	54
4.7	INSTALLATION DES PILE	54
<b>5.0</b>	<b>BRANCHEMENT ÉLECTRIQUE</b>	<b>55</b>
5.1	SCHÉMA DE CÂBLAGE	55
<b>6.0</b>	<b>FONCTIONNEMENT</b>	<b>56</b>
6.1	INSTRUCTIONS D'OPÉRATION ET D'ALLUMAGE	56
6.2	FONCTIONNEMENT	57
6.2.1	DESSIN GÉNÉRAL DE LA TÉLÉCOMMANDE	57
6.2.2	PROGRAMMATION	57
6.2.3	ALLUMÉE L'APAREIL	58
6.2.4	ÉTEINDRE L'APPAREIL	58
6.2.5	FONCTIONNEMENT DE LA TÉLÉCOMMANDE	58
6.2.6	AFFICHEUR DE TEMPÉRATURE	59
6.2.7	RÉGLÉR L'HEURE	59
6.2.8	RÉGLÉR LA MINUTERIE	59
6.2.9	HAUTEUR DE LA FLAMME	59
6.2.10	PILES FAIBLES	60
<b>7.0</b>	<b>RÉGLAGES</b>	<b>60</b>
7.1	RÉGLAGE DE LA VEILLEUSE	60
7.2	RÉGLAGE DU VENTURI	61
7.3	CARACTÉRISTIQUES DE LA FLAMME	61
7.4	CONVERSION PL	62
<b>8.0</b>	<b>ENTRETIEN</b>	<b>63</b>
8.1	ENTRETIEN ANNUEL	64
8.2	SOINS DE LA VITRE	64
8.4	SOINS DES PIÈCES PLAQUÉES	65
8.3	REMPLACEMENT DU VITRE DE LA PORTE	65
8.6	ENLÈVEMENT DU BRÛLEUR	66
8.5	REPLACEMENT DE L'ASSEMBLAGE DE LA SOUPAPE	66
<b>9.0</b>	<b>RECHANGES</b>	<b>67</b>
<b>10.0</b>	<b>VUE D'ENSEMBLE</b>	<b>68</b>
<b>11.0</b>	<b>ACCESSORIES</b>	<b>70</b>
<b>12.0</b>	<b>L'ASSEMBLAGE DE LA SOUPAPE</b>	<b>72</b>
<b>13.0</b>	<b>VENTILATION</b>	<b>73</b>
<b>14.0</b>	<b>TROUBLESHOOTING</b>	<b>74</b>
<b>15.0</b>	<b>GARANTIE</b>	<b>77</b>
<b>17.0</b>	<b>HISTORIQUE D'ENTRETIEN</b>	<b>78</b>
<b>18.0</b>	<b>NOTES</b>	<b>79</b>

**NOTE:** Les changements autres que de nature éditoriale sont dénotés par une ligne verticale dans la marge.

## 1.0 VUE D'ENSEMBLE DE L'INSTALLATION

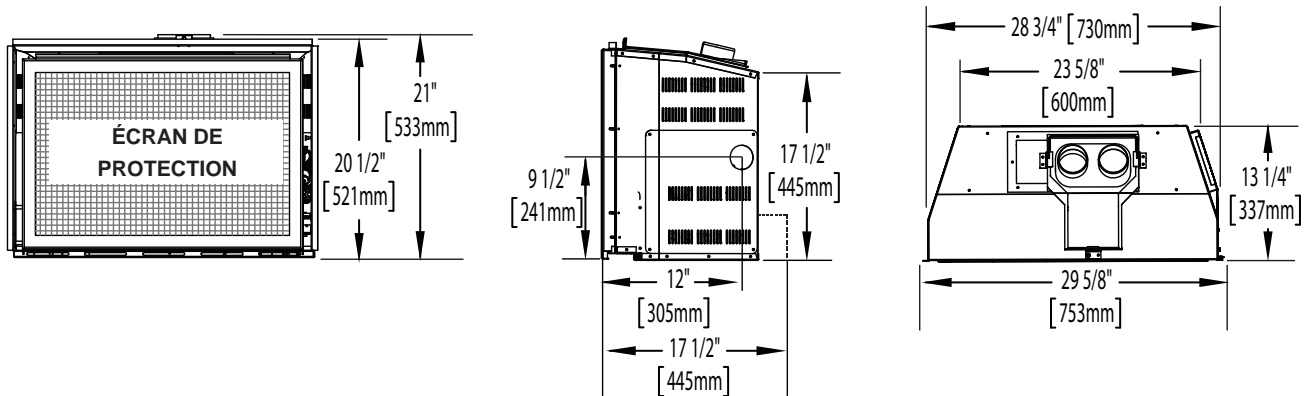


Les piles doivent être mises au rebut conformément aux lois et à la réglementation locales. Certaines piles peuvent être recyclées et acceptées dans votre centre de recyclage local. Renseignez-vous auprès de votre municipalité au sujet des directives de recyclage.

## ! AVERTISSEMENT

- **CET APPAREIL EST CHAUD LORSQU'IL FONCTIONNE ET PEUT CAUSER DE GRAVES BRÛLURES EN CAS DE CONTACT.**
- **TOUTE MODIFICATION APPORTÉE À CET APPAREIL OU AUX CONTRÔLES PEUT ÊTRE DANGEREUX ET EST INTERDIT.**
- Ne faites pas fonctionner l'appareil avant d'avoir lu et compris les instructions d'opération. Omettre d'utiliser l'appareil selon les instructions d'opération pourrait causer un incendie ou des blessures.
- Risque d'incendie ou d'asphyxie. Ne faites pas fonctionner l'appareil avec la vitre retirée.
- Ne branchez pas la soupape à du courant 110 volts.
- Risque de brûlures. L'appareil doit être éteint et refroidi avant d'effectuer un entretien.
- N'installez pas de composants endommagés ou incomplets ni des composants substitués.
- Risque de coupures et d'éraflures. Portez des gants protecteurs et des lunettes de sécurité lors de l'installation. Les bordures des pièces de métal peuvent être coupantes.
- Ne brûlez pas de bois ou autres matériaux dans cet appareil.
- **Les enfants et les adultes devraient être informés des dangers que posent les températures de surface élevées et se tenir à distance afin d'éviter des brûlures ou que leurs vêtements ne s'enflamment.**
- **Les jeunes enfants doivent être surveillés attentivement lorsqu'ils sont dans la même pièce que l'appareil. Les jeunes enfants et autres personnes à risque sont sujets aux brûlures accidentelles. Une barrière de protection est recommandée si des individus à risque se trouvent dans la maison. Afin de restreindre l'accès à l'appareil, installez une barrière de protection ajustable pour garder les jeunes enfants ou autres personnes à risque hors de la pièce et loin des surfaces chaudes.**
- **Les vêtements et autres matériaux combustibles ne doivent pas être posés sur l'appareil ou à proximité.**
- **En raison des températures élevées, l'appareil devrait être placé loin des endroits passants et loin des meubles et des rideaux.**
- Assurez-vous de disposer de mesures de sécurité adéquates pour empêcher les jeunes enfants de toucher aux surfaces chaudes.
- Même une fois que l'appareil est éteint, la vitre et/ou le pare-étincelles demeureront chauds pendant un temps prolongé.
- Consultez votre détaillant local de foyer pour connaître les grillages de sécurité et les écrans offerts pour protéger les enfants des surfaces chaudes. Ces grillages de sécurité et ces écrans doivent être fixés au plancher.
- **Tout grillages de sécurité, écrans ou barrière enlevés pour faire l'entretien devront être remis en place avant d'utiliser l'appareil.**
- Cet appareil est un appareil à gaz ventilé. Ne brûlez pas de bois ou autres matériaux dans cet appareil.
- Il est primordial de garder propres les compartiments de contrôle, les brûleurs, la soufflerie, les bouches d'air de l'appareil ainsi que le système d'évacuation. L'appareil et son système d'évacuation doivent être inspectés avant la première utilisation et au moins une fois l'an par un spécialiste en entretien. Un entretien plus fréquent pourrait être nécessaire en raison des peluches provenant des tapis, literie, etc. L'emplacement de l'appareil doit être gardé libre de tous matériaux combustibles, essence ou autres liquides et vapeurs inflammables.
- Cet appareil ne devra être modifié en aucun cas.
- Cet appareil ne doit pas être raccordé au conduit d'une cheminée desservant un autre appareil de chauffage à combustible solide.
- N'utilisez pas cet appareil si une partie quelconque a été submergée. Contactez immédiatement un technicien de service qualifié pour inspecter l'appareil et pour remplacer toute pièce du système de contrôle et du contrôle du gaz qui aurait été submergée.
- Ne pas opérer l'appareil lorsque la porte vitrée est enlevée, fissurée ou brisée. Le remplacement de la vitre devra être effectué par un technicien de service certifié ou qualifié.
- Ne frappez pas et ne claquez pas la porte vitrée de l'appareil.
- Les portes d'évacuation de pression doivent demeurer fermées pendant le fonctionnement de l'appareil afin d'empêcher les gaz de combustion contenant du monoxyde de carbone de s'infiltrer dans la maison. La température des gaz de combustion s'échappant par ces ouvertures peut aussi causer les matériaux combustibles avoisinants à surchauffer et à prendre feu.
- **Seules les portes/façades certifiées pour cet appareil peuvent être utilisées avec cet appareil.**
- Gardez les matériaux d'emballage hors de la portée des enfants et mettez ces matériaux au rebut de façon sécuritaire. Comme tous les emballages de plastique, ces matériaux ne sont pas des jouets et doivent demeurer hors de la portée des enfants et des bébés.
- Comme dans le cas de tout appareil à combustion, il est recommandé de faire inspecter et entretenir votre appareil régulièrement. De même, installez un détecteur de monoxyde de carbone dans la pièce pour vous protéger, ainsi que votre famille, contre les intoxications.
- Assurez-vous de respecter les dégagements aux matériaux combustibles lorsque vous installez un manteau ou des tablettes au-dessus de l'appareil. Les températures élevées sur le mur ou de l'air au-dessus de l'appareil peuvent faire fondre, décolorer ou endommager les décorations, les téléviseurs ou autres composants électroniques.
- **Une barrière conçu à réduire le risque de brûlures causées par le verre chaud est fourni avec l'appareil et sera installé.**
- **Si la barrière est endommagée, elle devra être remplacée par la barrière conçu par le fabricant pour cet appareil.**
- **L'installation et la réparation devraient être effectuées par un technicien qualifié. L'appareil et son système d'évacuation devraient être inspectés avant l'utilisation initiale et au moins une fois l'an par un professionnel qualifié. Un nettoyage plus réquent peut être requis en raison de la poussière excessive laissée par les moquettes, les couvertures, etc. Il est impératif que les compartiments de contrôle, le brûleur et les passages de circulation d'air soient gardés propres afin de fournir une combustion et une circulation d'air adéquates.**

## 2.1 DIMENSIONS



## 2.2 DÉGAGEMENTS MINIMAUX AUX MATÉRIAUX COMBUSTIBLES

Cet appareil ne doit être encastré que dans un foyer à bois ventilé incombustible (préfabriqué ou en maçonnerie). L'appareil dans lequel l'encastrement est installé doit avoir les dimensions minimales suivantes:

**HAUTEUR 21 1/2" (546mm) LARGEUR 29" (737mm) PROFONDEUR \*13 1/2" (343mm)**

**Le diamètre minimal du conduit de la cheminée doit être de 7" (178mm) rond.**

**\*Ajoutez 4" (102mm) pour la soufflerie optionnelle.**

La distance minimale entre le dessous d'une tablette décorative combustible qui ressort un maximum de 3" (76mm) et le haut de l'ouverture des persiennes est de 14" (356mm) (voir la section DÉGAGEMENTS MINIMAUX DE LA TABLETTE).

**NOTE: LE FOYER INCOMBUSTIBLE DOIT DÉPASSER UN MINIMUM DE 12" (305mm) DE L'APPAREIL.**

## 2.3 INSTRUCTIONS GÉNÉRALES

<b>! AVERTISSEMENT</b>
<b>ALLUMEZ TOUJOURS LA VEILLEUSE, QUE CE SOIT POUR LA PREMIÈRE FOIS OU LORSQUE L'APPROVISIONNEMENT EN GAZ EST ÉPUISÉ, AVEC LA PORTE VITRÉE OUVERTE OU RETIRÉE.</b>
<b>PRÉVOYEZ UN ACCÈS SUFFISANT POUR ENTREtenir ET OPÉRER L'APPAREIL. ASSUREZ-VOUS D'UNE QUANTITÉ SUFFISANTE D'AIR DE VENTILATION.</b>
<b>N'OBSTRUEZ JAMAIS L'OUVERTURE DE L'APPAREIL.</b>
<b>LES OBJETS PLACÉS DEVANT L'APPAREIL DOIVENT ÊTRE GARDÉS À UNE DISTANCE D'AU MOINS 48" (1219.2mm) DE LA FACE VITRÉE DE L'APPAREIL.</b>
<b>LES SURFACES AUTOUR ET SURTOUT AU-DESSUS DE L'APPAREIL PEUVENT DEVENIR CHAUDES. NE TOUCHEZ PAS L'APPAREIL QUAND IL FONCTIONNE.</b>
<b>RISQUE D'INCENDIE OU D'EXPLOSION.</b>
<b>LES PRESSIONS ÉLEVÉES ENDOMMAGERONT LA SOUPAPE. L'ALIMENTATION EN GAZ DOIT ÊTRE DÉBRANCHÉE PENDANT LES ESSAIS DE PRESSION DE CE SYSTÈME LORSQUE LES PRESSIONS D'ESSAI EXCÈDENT 1/2 LB/PO<sup>2</sup> (3,5 KPA). FERMEZ LA SOUPAPE D'ARRÊT MANUELLE PENDANT TOUT ESSAI DE PRESSION DU SYSTÈME D'ALIMENTATION EN GAZ LORSQUE LA PRESSION EST DE 1/2 LB/PO<sup>2</sup> (3,5 mb) OU MOINS.</b>
<b>N'UTILISEZ QUE LES ACCESSOIRES OPTIONNELS ET LES PIÈCES DE RECHANGE APPROUVÉS PAR WOLF STEEL POUR CET APPAREIL. L'UTILISATION D'ACCESSOIRES NON LISTÉS (SOUFFLERIE, PORTES, PERSIENNES, MOULURES, COMPOSANTS DE GAZ, COMPOSANTS D'ÉVACUATION, ETC.) POURRAIT ÊTRE NON SÉCURITAIRE ET ANNULERA LA GARANTIE ET LA CERTIFICATION.</b>

**CET APPAREIL AU GAZ DEVRAIT ÊTRE INSTALLÉ ET ENTRETENU PAR UN INSTALLATEUR QUALIFIÉ** en se conformant aux codes locaux. Les pratiques d'installation peuvent varier d'une région à l'autre. Il est donc important de connaître les normes spécifiques qui s'appliquent à votre région. Par exemple dans l'état du Massachusetts:

- Ce produit doit être installé par un plombier certifié ou un installateur pour le gaz lorsque installé dans le Commonwealth du Massachusetts.
- Le registre de l'appareil doit être enlevé ou bloqué en le soudant en position ouverte avant d'installer un encastré ou un ensemble de bûches à gaz.

- La soupape d'arrêt doit être un robinet à gaz avec une poignée en T.
- Le raccord flexible ne doit pas mesurer plus que 36 pouces (914.4mm).
- Un détecteur de monoxyde de carbone est requis dans toutes les pièces contenant des appareils alimentés au gaz.
- L'appareil n'est pas approuvé pour installation dans une chambre à coucher ou une salle de bain à moins d'être un appareil avec une chambre de combustion scellée à évacuation directe.

L'installation doit se conformer aux codes locaux. En l'absence de codes locaux, l'installation doit être conforme au Code d'installation du gaz naturel et du propane CSA B149.1 au Canada ou au National Fuel Gas Code, ANSI Z223.1/ NFPA 54 aux États-Unis. Cet appareil convient pour installation dans une maison mobile si l'installation est conforme aux normes actuelles pour les maisons mobiles équipées au gaz CAN/CSA Z240 SÉRIE MM au Canada ou selon les normes ANSI Z223.1 et NFPA 54 aux États-Unis.

Tant que les distances requises pour les dégagements aux matériaux combustibles sont respectées, le meilleur endroit pour un appareil est le centre de la maison, car ceci permet une meilleure utilisation de la chaleur fournie. L'emplacement des fenêtres, des portes et la circulation dans la pièce où se trouve l'appareil devront être pris en considération. Si possible, vous devriez choisir un emplacement où le système d'évent peut passer à travers la maison sans avoir à découper des solives de plancher ou de toit.

Si l'appareil est installé directement sur un tapis, sur une surface de vinyle ou tout autre revêtement de plancher combustible autre que le bois, l'appareil devra être monté sur un panneau continu de métal ou de bois se prolongeant sur toute la largeur et la profondeur.

Certains appareils ont une soufflerie ou un ensemble de deux souffleries optionnel. Si la soufflerie ou l'ensemble de deux souffleries optionnel est installé, la boîte de dérivation doit être branchée au circuit électrique et mise à la terre conformément aux codes locaux. Utilisez la version courante du Code canadien de l'électricité CSA C22.1 au Canada ou le National Electrical Code ANSI/NFPA 70 aux États-Unis.



NATIONAL FIREPLACE INSTITUTE  
NFI  
CERTIFIED  
www.nficertified.org

Nous suggérons que nos appareils au gaz soient installés et que l'entretien soit effectué par des professionnels certifiés par le National Fireplace Institute® (NFI) comme spécialiste du gaz NFI.

4.1B

## 2.4 INFORMATION GÉNÉRALE

### POUR VOTRE SATISFACTION, CE FOYER A ÉTÉ MIS À L'ESSAI POUR CONFIRMER SON FONCTIONNEMENT ET SA QUALITÉ!

IR3-1		
	NG	LP
Altitude (PI)	0-4,500	0-4,500
Débit maximum (BTU/HR)	24,000	24,000
Rend. maximum (BTU/HR)	18,480	18,480
Efficacité (avec ventilateur en marche)	77%	77%
A.F.U.E. (valeur maximale)	76%	76%
Pression minimale d'alimentation en gaz	4.5" Colonne d'eau (11mb)	11" Colonne d'eau (27mb)
Pression maximale d'alimentation en gaz	7" Colonne d'eau (17mb)	13" Colonne d'eau (32mb)
Pression du collecteur (Lorsque le gaz circule)	3.5" Colonne d'eau (9mb)	10" Colonne d'eau (25mb)

Lorsque l'appareil est installé à des élévations dépassant 4,500 pieds (1372m), et en l'absence de recommandations spécifiques de l'autorité compétente locale, l'indice certifié du débit à haute altitude devra être réduit au taux de 4% pour chaque 1,000 pieds (305m) supplémentaires. Les bruits causés par l'expansion et la contraction lors des cycles de chauffage et de refroidissement sont tout à fait normaux et il faut s'y attendre.

Cet appareil n'est pas approuvé pour installation dans un placard ou en retrait. Il est approuvé pour installation dans les salles de bain, les chambres à coucher et les chambres studio et convient pour installation dans les maisons mobiles. Le modèle au gaz naturel ne peut être placé que dans une maison mobile installée en permanence et alimentée au gaz naturel.

**Une barrière conçu à réduire le risque de brûlures à partir de la chaude la vitre est à condition que avec l'appareil et sera être installés.**

Canada

**ENERGUIDE**

Cote énergétique des foyers à gaz

**64.2%**

Basée sur la norme CSA P.4.1-02

Modèle No. IR3-1

**ENERCHOICE**

ENERCHOICE.ORG

## 2.5 PLAQUE D'HOMOLOGATION

CONFORMS TO / CONFORME AUX: ANSI Z21.50-2014, CERTIFIED TO / CERTIFIE CSA 2.22-2014 VENTED GAS FIREPLACE / FOYER À GAZ VENTILÉ

DO NOT TURN ON IF CHILDREN OR OTHER AT RISK INDIVIDUALS ARE NEAR THE FIREPLACE. DIRECT VENT GAS FIREPLACE. SUITABLE FOR BEDROOM, BATHROOM AND BED-SITTING ROOM INSTALLATION. SUITABLE FOR MOBILE HOME INSTALLATION IF INSTALLED IN ACCORDANCE WITH THE CURRENT STANDARD CAN/CSA Z240MH SERIES GAS EQUIPPED MOBILE HOMES, IN CANADA OR IN THE UNITED STATES THE MANUFACTURED HOME CONSTRUCTION AND SAFETY STANDARD, TITLE 24 CFR, PART 3280. WHEN THIS US STANDARD IS NOT APPLICABLE USE THE STANDARD FOR FIRE SAFETY CRITERIA FOR MANUFACTURED HOME INSTALLATIONS, SITES AND COMMUNITIES, ANSI/NFPA 501A. FOR USE ONLY WITH BARRIER W565-0133. FOLLOW THE INSTALLATION INSTRUCTIONS LOCATED IN THE INSTALLATION MANUAL.

NE PAS ALLUMER SI DES ENFANTS OU D'AUTRES INDIVIDUS À RISQUE SONT À PROXIMITÉ DU FOYER. FOYER À GAZ VENTILÉ. HOMOLOGUÉ POUR L'INSTALLATION DANS UNE CHAMBRE À COUCHER, UNE SALLE DE BAIN ET UN STUDIO. APPROPRIÉ POUR L'INSTALLATION DANS UNE MAISON MOBILE SI SON INSTALLATION EST CONFORME AUX EXIGENCES DE LA NORME CAN/CSA Z240MH SÉRIE DE MAISONS MOBILES ÉQUIPÉES AU GAZ, EN VIGUEUR AU CANADA, OU AUX ÉTATS-UNIS, SELON LA NORME DE SÉCURITÉ ET DE CONSTRUCTION DE MAISONS MANUFACTURÉES, TITRE 24 CFR SECTION 3280. DANS LE CAS OÙ CETTE NORME DES ÉTATS-UNIS NE PEUT ÊTRE APPLIQUÉE, SE RÉFÉRER À LA NORME RELATIVE AU CRITÈRE DE MESURES DE SÉCURITÉ CONTRE L'INCENDIE POUR LES INSTALLATIONS DANS LES MAISONS MANUFACTURÉES, LES SITES ET LES COMMUNAUTÉS, ANSI/NFPA 501A. POUR UNE UTILISER SEULEMENT AVEC BARRIÈRE W565-0133. SUIVEZ LES INSTRUCTIONS D'INSTALLATION SE TROUVENT DANS LE MANUEL D'INSTALLATION.

CERTIFIED FOR CERTIFIÉE POUR CANADA USA REFERENCE #161746

**NATURAL GAS / GAZ MODEL**

IR3N  CIR3N

4500FT (0-1370m)  
24,000 BTU/h  
18,000 BTU/h

**PROPRANE MODEL**

IR3P  CIR3P

4500FT (0-1370m)  
24,000 BTU/h  
18,000 BTU/h

**MODEL**  
ALTITUDE/ELEVATION INPUT/ALIMENTATION RÉDUITE

MANIFOLD PRESSURE: 3.5" WATER COLUMN  
PRESSION AU COLLECTEUR: 3.5" D'UNE COLONNE D'EAU

MINIMUM SUPPLY PRESSURE: 4.5" WATER COLUMN  
PRESSION D'ALIMENTATION MINIMALE: 4.5" D'UNE COLONNE D'EAU

MAXIMUM SUPPLY PRESSURE: 7.0" WATER COLUMN  
PRESSION D'ALIMENTATION MAXIMALE: 7.0" D'UNE COLONNE D'EAU

MANIFOLD PRESSURE: 10" WATER COLUMN  
PRESSION AU COLLECTEUR: 10" D'UNE COLONNE D'EAU

MINIMUM SUPPLY PRESSURE: 11" WATER COLUMN  
PRESSION D'ALIMENTATION MINIMALE: 11" D'UNE COLONNE D'EAU

MAXIMUM SUPPLY PRESSURE: 13" WATER COLUMN  
PRESSION D'ALIMENTATION MAXIMALE: 13" D'UNE COLONNE D'EAU

P4: 64.2% P4: 64.2%

**THIS VENTED GAS FIREPLACE IS NOT FOR USE WITH AIR FILTERS. FOR USE WITH GLASS DOORS CERTIFIED FOR THIS UNIT ONLY. NOT FOR USE WITH SOLID FUEL.**

**CE FOYER À GAZ VENTILÉ NE DOIT PAS ÊTRE UTILISÉ CONJOINTEMENT AVEC DES FILTRES À AIR. UTILISER AVEC LES PORTES VITRÉES HOMOLOGUÉES AVEC CETTE UNITÉ SEULEMENT. UN COMBUSTIBLE SOLIDE NE DOIT PAS ÊTRE UTILISÉ AVEC CET APPAREIL.**

WARNING: DO NOT ADD ANY MATERIAL TO THE APPLIANCE THAT WILL COME IN CONTACT WITH THE FLAMES, OTHER THAN THAT SUPPLIED BY THE MANUFACTURER WITH THE APPLIANCE.  
DECORATIVE PRODUCT. NOT FOR USE AS A HEATING APPLIANCE.

AVERTISSEMENT: NA JOUTEZ PAS A CET APPAREIL AUCUN MATERIAU DEVANT ENTRER EN CONTACT AVEC LES FLAMMES AUTRE QUE CELUI QUI EST FOURNI AVEC CET APPAREIL PAR LE FABRICANT.  
PRODUIT DÉCORATIF: NE PAS UTILISER COMME APPAREIL DE CHAUFFAGE.

ELECTRICAL RATING: 115V, 1.5AMP, 60HZ  
L'APPAREIL DOIT ÉVACUER SES GAZ EN UTILISANT L'ENSEMBLE D'ÉVACUATION PROPRE A WOLF STEEL. RÉFÉRER AU MANUEL D'INSTALLATION DE PROPRIÉTAIRE POUR L'ÉVACUATION PRÉCISE. IL EST IMPORTANT DE BIEN REINSTALLER ET RESCELLER LE VENT APRÈS AVOIR ASSURÉ LE MAINTIEN DU SYSTÈME DE PRISE D'AIR.

THE APPLIANCE MUST BE VENTED USING THE APPROPRIATE WOLF STEEL VENT KITS. SEE OWNER'S INSTALLATION MANUAL FOR VENTING SPECIFICS. PROPER REINSTALLATION AND RESEALING IS NECESSARY AFTER SERVICING THE VENT-AIR INTAKE SYSTEM.  
ATTENTION: POUR L'INSTALLATION DANS UN FOYER VENTILÉ EN MAÇONNERIE, LES DIMENSIONS MINIMUMS SONT: HAUTEUR 19.75", PROFONDEUR 13.25", LARGEUR 29". LE DIAMÈTRE INTÉRIEUR MINIMUM DE CONDUIT D'ÉVACUATION EST DE 6". LA DISTANCE MINIMALE, DU BAS DU MANTEAU COMBUSTIBLE FORMANT UNE PROJECTION MAXIMALE DE 3" DU MUR AU DESSUS DE LA GARNITURE NORMALE EST 12". RÉFÉRER AU MANUEL D'INSTALLATION POUR DES EXTENSIONS PLUS GRANDES.

OPTIONAL FAN KIT - GZ550-KT, GD65.  
SOUFFLERIE OPTIONNELLE: GZ550-KT, GD65.

**WOLF STEEL LTD.**  
24 NAPOLEON ROAD, BARRIE, ONTARIO L4M 0G8 CANADA

SERIAL NUMBER/NO. DE SÉRIE: **IR3/CIR3** W385-1971 / A

**INSTALLATEUR :** Il est de votre responsabilité de cocher les cases appropriées sur la plaque d'homologation correspondant au modèle, au type d'évacuation et au type de gaz de l'appareil.

Pour l'emplacement de la plaque d'homologation, voir la section «VUE D'ENSEMBLE DE L'INSTALLATION».

Cette illustration est à titre de référence seulement. Consultez la plaque d'homologation pour obtenir l'information précise.

**NOTE:** La plaque d'homologation doit toujours rester avec l'appareil. Il ne doit pas être enlever.

## 3.0 INSTALLATION

### ! AVERTISSEMENT

**RISQUE D'INCENDIE CONSERVEZ LES DÉGAGEMENTS NÉCESSAIRES  
AU CONDUIT D'ÉVENT ET À L'APPAREIL.**

Retirez les cendres de l'appareil de chauffage au bois. Assurez-vous que la cheminée et l'appareil de chauffage au bois sont propres et en bon état et qu'ils sont construits avec des matériaux incombustibles. Si nécessaire, faites faire les travaux de réparation par une personne qualifiée avant d'installer l'encastré. Enlevez le registre de l'appareil de chauffage au bois ou fixez-le en position ouverte.

À l'aide de vis, fixez l'étiquette d'avertissement à l'intérieur de la chambre de combustion de l'appareil existant, dans lequel l'encastré sera installé.

Les composants en tôle de l'appareil existant, dans lequel l'encastré sera installé, ne doivent pas être sectionnés.

Si l'appareil de chauffage au bois ne possède pas de trou d'accès pour le raccordement au gaz, un trou d'accès de 1 1/2" (38,1mm) ou moins peut être pratiqué selon les règles du métier à travers les côtés inférieurs ou le plancher de l'appareil. Ce trou d'accès doit être bourré d'isolant incombustible une fois que le tuyau d'alimentation en gaz a été installé.

Assurez-vous que la porte de la trappe de ramonage existante soit bien fermée.

Les briques réfractaires, la porte vitrée, la glissière, le rideau pare-étincelles et les supports à bûches peuvent être retirés de l'appareil existant avant d'installer l'encastré.

Les tablettes de fumée, les écrans et les déflecteurs peuvent être retirés s'ils sont fixés avec des attaches mécaniques.

Les ouvertures de ventilation de l'appareil peuvent être obstruées par les plaques de fond, les moulures en aluminium, etc., mais ces composants ne doivent pas être installés de façon à sceller hermétiquement les ouvertures.

**WARNING:** THIS FIREPLACE HAS BEEN CONVERTED FOR USE WITH A GAS FIREPLACE INSERT ONLY AND CANNOT BE USED FOR BURNING WOOD OR SOLID FUELS UNLESS ALL ORIGINAL PARTS HAVE BEEN REPLACED AND THE FIREPLACE IS RE-APPROVED BY THE AUTHORITY HAVING JURISDICTION.

**ATTENTION:** CE FOYER A ÉTÉ CONVERTI AFIN D'ÊTRE UTILISÉ SEULEMENT COMME FOYER ENCASTRE AU GAZ ET NE PEUT ÊTRE UTILISÉ POUR BRÛLER DU BOIS OU TOUT AUTRE COMBUSTIBLE SOLIDE, SANS QUE TOUTES LES PIÈCES ORIGINALES AIENT ÉTÉ REMPLACÉES ET QUE LE FOYER SOIT APPROUVÉ DE NOUVEAU PAR LES AUTORITÉS AYANT JURISDICTION.

**ADVERTENCIA:** ESTA CHIMENEA SE REMODELÓ PARA USARSE SOLO CON UNA INSERCIÓN DE CHIMENEA A GAS Y NO PUEDE USARSE PARA QUEMAR MADERA NI COMBUSTIBLES SÓLIDOS, A MENOS QUE SE HAYAN REEMPLAZADO TODAS LAS PIEZAS ORIGINALES, Y LA AUTORIDAD JURISDICCIONAL LA HAYA VUELTO A APROBAR.

W385-0199\_B

68.4B

### 3.1 MISE À NIVEAU DE L'ENCASTRÉ

Placez l'encastré le plus près possible de son emplacement définitif. Cet appareil est muni de vis de réglage situées sur la base. Mettez à niveau, en vous servant des vis de réglage, afin d'éliminer les balancements et le bruit excessif lorsque la soufflerie est en marche. Une fois que l'appareil est à niveau, ne le mettez que partiellement en place afin d'effectuer tous les raccordements. Il est difficile de mettre à niveau l'encastré une fois qu'il est installé. Déterminez la profondeur requise avant d'installer l'appareil, puis ajustez les vis de réglage en conséquence.

67.2



### 3.2 INSTALLATION DE LA CHEMINÉE

L'installation de la cheminée doit être conforme aux normes des codes nationaux et locaux. La cheminée doit être munie d'un conduit 3" (76mm) de diamètre pour la prise d'air et d'un conduit de 3" (76mm) de diamètre pour l'évacuation. Les longueurs minimales et maximales des gaines sont respectivement de 10 pieds (3m) et 35 pieds (11m). Les ensembles d'événements recommandés sont offerts en trois longueurs:

#### 2 GAINES DE 3" EN ALUMINIUM À DOUBLE PAROI - PRISE D'AIR ET ÉVACUATION:

GDI-320KT	ENSEMBLE D'ÉVÉNEMENTS 20 PI (6m)
GDI-325KT	ENSEMBLE D'ÉVÉNEMENTS 25 PI (7.6m)
GDI-335KT	ENSEMBLE D'ÉVÉNEMENTS 35 PI (11m)

Bien que les gaines doivent être continues de l'appareil au chapeau de la cheminée, elles peuvent être raccordées pour obtenir la longueur désirée en utilisant une bague d'accouplement approuvée. Nous recommandons que la gaine d'évacuation qui traverse une zone non chauffée telle que des cheminées extérieures de grande taille soit enveloppée dans un manchon isolant, ceci afin d'éviter la condensation et les effets de refoulement. Pour plus de détails, consultez le guide de dépannage.

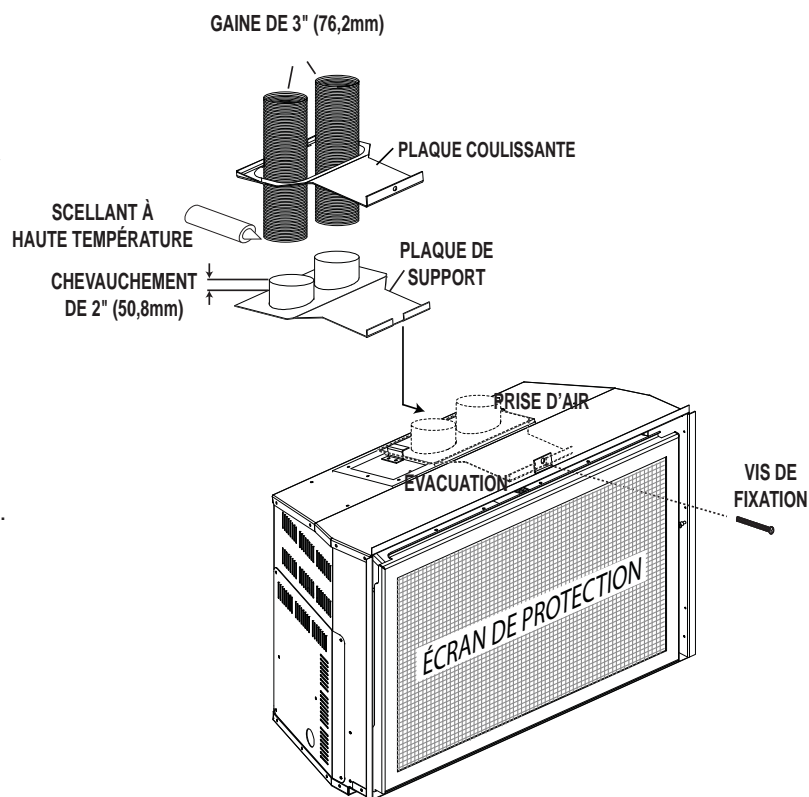
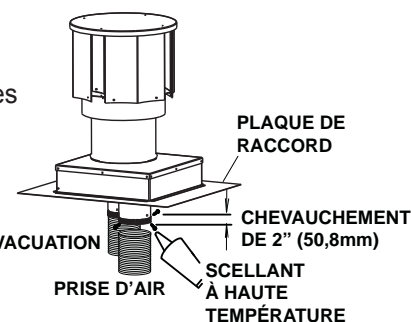
Cet appareil est approuvé pour installation avec une gaine de 3" (76mm) de diamètre pour la prise d'air et pour l'évacuation.

- A. **À L'EXTÉRIEUR:** Faites glisser l'extrémité d'une gaine un minimum de 2" (51mm) par-dessus le manchon de la terminaison. Fixez à l'aide de 3 vis. Puis sceller le joint et les têtes des vis avec le scellant à haute température. Répétez avec l'autre gaine.

**NOTE:** Nous recommandons que l'autre extrémité de la gaine d'évacuation soit identifiée pour éviter qu'elle ne soit raccordée au collet de prise d'air de l'appareil.

- B. Étirez doucement les gaines jusqu'aux longueurs désirées et insérez-les dans la cheminée. Découpez et placez la plaque de raccord afin qu'elle s'adapte au chapeau de la cheminée. Placez la terminaison par-dessus la cheminée. Rendez-la étanche en la scellant avec du calfeutrage (non fourni). Fixez à la cheminée avec des vis et des chevilles (non fournies).

- C. **À L'INTÉRIEUR:** Retirez la vis de fixation du devant de la plaque de support des événements. Engagez seulement la plaque de support des événements dans la glissière et tirez-la jusqu'au support de fixation à l'avant. Installez la plaque coulissante de la même façon. Réinstallez la vis de fixation. Vous pouvez à présent installer l'encastrement dans son emplacement définitif à l'intérieur de l'appareil de chauffage au bois, avec la vis de fixation bien serrée de façon à ce que la plaque coulissante soit solidement fixée au support de fixation.
- D. Faites passer les gaines flexibles à travers la plaque coulissante. Fixez les gaines à la plaque de support des événements en suivant la même procédure qu'auparavant, en vous assurant que la gaine d'évacuation identifiée soit fixée au collet d'évacuation.



## 3.3 BRANCHEMENT DU GAZ

**AVERTISSEMENT**

**RISQUE D'INCENDIE, D'EXPLOSION OU D'ASPHYXIE. ASSUREZ-VOUS QU'IL N'Y AIT AUCUNE SOURCE D'ALLUMAGE COMME DES ÉTINCELLES OU UNE FLAMME NUE.**

**SOUTENEZ LE CONTRÔLE DU GAZ LORSQUE VOUS ATTACHEZ LE TUYAU POUR ÉVITER DE PLIER LA CONDUITE DE GAZ.**

**ALLUMEZ TOUJOURS LA VEILLEUSE, QUE CE SOIT POUR LA PREMIÈRE FOIS OU LORSQUE L'APPROVISIONNEMENT EN GAZ EST ÉPUISÉ, AVEC LA PORTE VITRÉE OUVERTE OU RETIRÉE. LA PURGE DOIT ÊTRE EFFECTUÉE PAR UN TECHNICIEN QUALIFIÉ. ASSUREZ-VOUS QUE L'ARRIVÉE DE GAZ AU BRÛLEUR EST CONTINUE AVANT DE FERMER LA PORTE. ASSUREZ-VOUS D'UNE VENTILATION ADÉQUATE. POUR LES EMPLACEMENTS DE L'ENTRÉE DU GAZ ET DE L'ENTRÉE ÉLECTRIQUE, VOIR LA SECTION « DIMENSIONS ».**

**LORSQUE LE BRANCHEMENT EST TERMINÉ, TOUS LES RACCORDS DE GAZ DOIVENT SE TROUVER À L'INTÉRIEUR DU FOYER.**

**LES PRESSIONS ÉLEVÉES ENDOMMAGERONT LA SOUPE. L'ALIMENTATION EN GAZ DOIT ÊTRE DÉBRANCHÉE PENDANT LES ESSAIS DE PRESSION DE CE SYSTÈME LORSQUE LES PRESSIONS D'ESSAI EXCÈDENT ½ LB/PO<sup>2</sup> (3,5 KPA).**

**LES RÉGLAGES DE LA SOUPE ONT ÉTÉ FAITS EN USINE; NE LES MODIFIEZ PAS.**

L'installation et l'entretien doivent être effectués par un installateur qualifié.

- A. Mettez l'appareil en place et fixez-le.
- B. Si l'appareil est muni d'un raccord flexible, celui-ci est conçu pour recevoir une conduite de gaz de 1/2". Sans raccord flexible, l'appareil est conçu pour recevoir une conduite de gaz de 3/8". L'appareil est muni d'une soupape d'arrêt manuelle pour fermer l'alimentation en gaz.
- C. Branchez le gaz en conformité avec les codes locaux. En l'absence de codes locaux, l'installation doit être conforme au Code d'installation du gaz CAN/CSA-B149.1 dans sa version pour le Canada ou le National Fuel Gas Code, ANSI Z223.1 / NFPA 54 pour les États-Unis.
- D. Lorsque vous manipulez des conduites de gaz, soutenez la soupape de gaz pour éviter que les conduites ne se plient.
- E. Le raccord flexible de l'alimentation en gaz devrait être suffisamment mobile pour permettre de placer l'assemblage du brûleur sur le côté.
- F. Vérifiez pour des fuites de gaz en appliquant une solution d'eau savonneuse. **N'utilisez pas une flamme nue.**

30.1A

## 4.0 FINITIONS

**AVERTISSEMENT**

**RISQUE D'INCENDIE!**

**N'OBSTRUEZ JAMAIS L'OUVERTURE SUR LE DEVANT DE L'APPAREIL.**

**LA FAÇADE DE L'APPAREIL DOIT ÊTRE FAITE DE MATÉRIAUX INCOMBUSTIBLES COMME DE LA BRIQUÉ, DU MARBRE, DU GRANITE, ETC., À CONDITION QUE CES MATÉRIAUX NE SE TROUVENT PAS EN DEÇÀ DE LA DIMENSION SPÉCIFIÉE TEL QU'ILLUSTRÉ. COMME ALTERNATIVE, VOUS POUVEZ UTILISER LE PANNEAU DE GYPSE COMME FINITION POUR VOTRE APPAREIL, VOIR LES ILLUSTRATIONS À SUIVRE.**

**NE FRAPPEZ PAS, NE CLAQUEZ PAS ET N'ÉGRATIGNEZ PAS LA PORTE VITRÉE. NE FAITES PAS FONCTIONNER L'APPAREIL LORSQUE LA PORTE VITRÉE EST ENLEVÉE, FISSURÉE, BRISÉE OU ÉGRATIGNÉE.**

**LES MATÉRIAUX DE FAÇADE OU DE FINITION NE DOIVENT JAMAIS EMPIÉTER SUR L'OUVERTURE DE L'APPAREIL.**

72.1A

## 4.1 DÉGAGEMENTS MINIMAUX DE LA TABLETTE

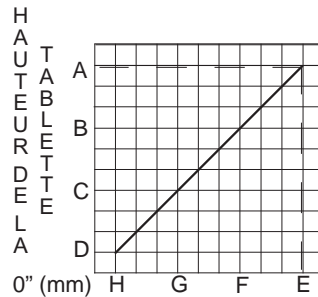
**! AVERTISSEMENT**

**RISQUE D'INCENDIE. CONSERVEZ TOUS LES DÉGAGEMENTS AUX MATÉRIAUX COMBUSTIBLES SPÉCIFIÉS. NE PAS RESPECTER CES INSTRUCTIONS PEUT CAUSER UN INCENDIE OU UNE SURCHAUFFE. ASSUREZ-VOUS QUE TOUS LES DÉGAGEMENTS (ARRIÈRE, CÔTÉS, DESSUS, ÉVENTS, TABLETTE, FAÇADE, ETC.) SONT RESPECTÉS À LA LETTRE.**

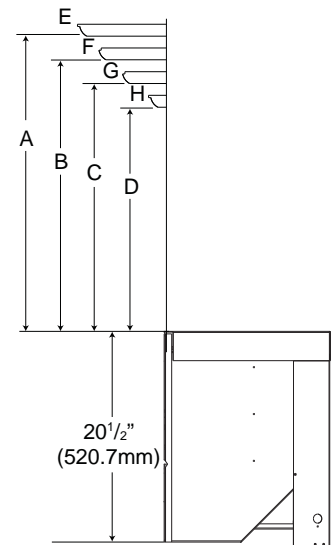
**LORSQUE VOUS UTILISEZ DE LA PEINTURE OU DU VERNIS COMME FINITION POUR VOTRE TABLETTE, ASSUREZ-VOUS QU'ILS SOIENT RÉSISTANTS À LA CHALEUR AFIN DE PRÉVENIR LA DÉCOLORATION.**

73.1

Le dégagement d'une tablette combustible à l'appareil peut varier selon la profondeur de la tablette. Utilisez le graphique pour vous aider à déterminer le dégagement nécessaire. Les mêmes dégagements aux matériaux combustibles s'appliquent pour toutes les surfaces en projection sur les côtés de l'appareil.



PROJECTION DE LA TABLETTE

**DÉGAGEMENT DU TABLETTE**

Ref	Hauteur	Ref	Profondeur
<b>A</b>	17" (432mm)	<b>E</b>	6" (152mm)
<b>B</b>	16" (406mm)	<b>F</b>	5" (127mm)
<b>C</b>	15" (381mm)	<b>G</b>	4" (102mm)
<b>D</b>	14" (356mm)	<b>H</b>	3" (76mm)



## ! AVERTISSEMENT

**LA VITRE PEUT ÊTRE CHAUDE, NE TOUCHEZ PAS LA VITRE JUSQU'À CE QU'ELLE AIT REFROIDI.**

**LES LOQUETS DE PORTE FONT PARTIE D'UN DISPOSITIF DE SÉCURITÉ ET DOIVENT ÊTRE ADÉQUATEMENT VERROUILLÉS. NE FAITES PAS FONCTIONNER L'APPAREIL LORSQUE LES LOQUETS SONT DÉVERROUILLÉS.**

**LES MATÉRIAUX DE FAÇADE ET DE FINITION NE DOIVENT PAS NUIRE À LA CIRCULATION DE L'AIR DANS LES OUVERTURES D'AIR ET LES PERSIENNES, NI AU FONCTIONNEMENT DES PERSIENNES OU DES PORTES. ILS NE DOIVENT PAS NON PLUS ENTRAVER L'ACCÈS POUR L'ENTRETIEN. RESPECTEZ TOUS LES DÉGAGEMENTS AUX MATÉRIAUX COMBUSTIBLES.**

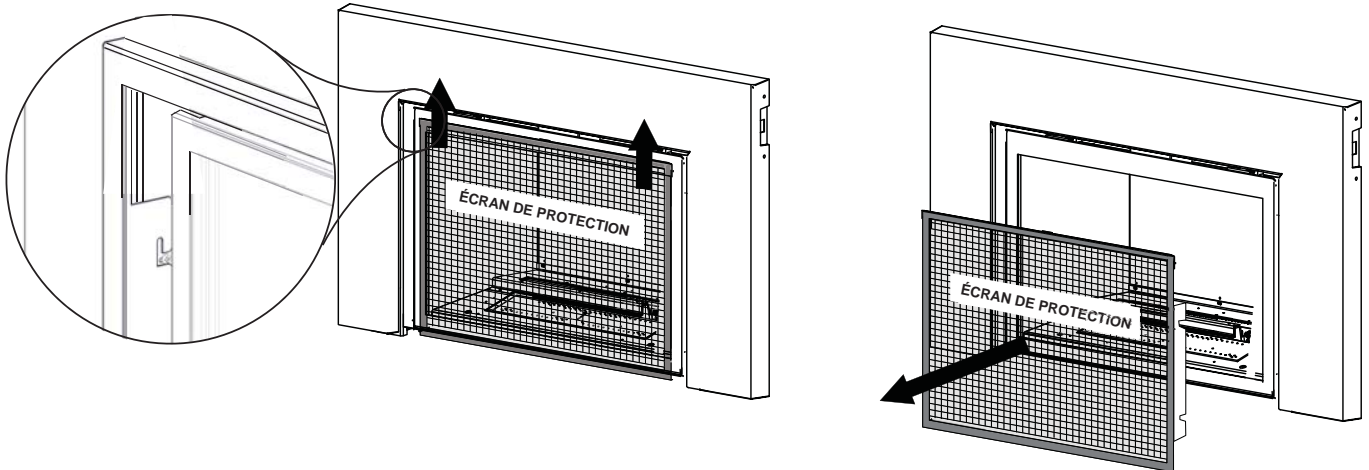
**AVANT D'ENLEVER LA PORTE, ÉTEIGNEZ L'APPAREIL ET ATTENDEZ QUE CE DERNIER SOIT FROID AU TOUCHER. LES PORTES SONT LOURDES ET FRAGILES; MANIPULEZ AVEC SOIN.**

75.1

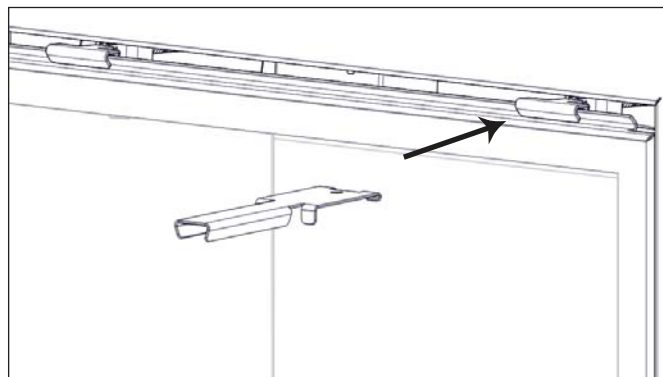
FR

**Une barrière conçu à réduire le risque de brûlures à partir de la chaude la vitre est à condition que avec l'appareil et sera être installés.**

Avant d'enlever la porte vitrée, l'écran de protection doit être enlever. Soulevez l'écran de protection hors des 4 vis et enlever de l'appareil, puis inclinez la partie haut du porte vitrée puis enlever de l'appareil.



Avant de pouvoir ouvrir ou fermer la porte vitrée, la façade optionnelle doit être retirée. Déverrouillez les loquets supérieurs gauche et droit situés dans le haut de la porte. Penchez légèrement vers l'avant puis soulevez hors des fentes.



Inversez ces étapes pour réinstaller l'écran de protection et la porte. Assurez la l'écran de protection est correctement installé.



## 4.3 DISPOSITION DES BÛCHES

## ! AVERTISSEMENT

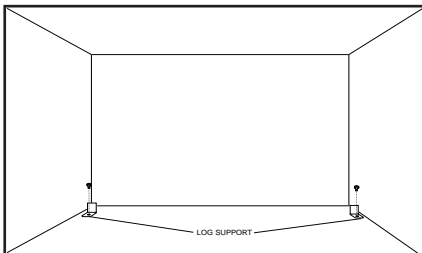
**OMETTRE DE POSITIONNER LES BÛCHES CONFORMÉMENT AUX SCHÉMAS OU OMETTRE D'UTILISER UNIQUEMENT DES BÛCHES SPÉCIFIQUEMENT APPROUVÉES POUR CET APPAREIL PEUT CAUSER DES DOMMAGES MATÉRIELS OU DES BLESSURES CORPORELLES.**

**LES BÛCHES DOIVENT ÊTRE PLACÉES CORRECTEMENT À L'INTÉRIEUR DE L'APPAREIL. NE CHANGEZ PAS LA POSITION DES BÛCHES CAR L'APPAREIL RISQUE DE NE PAS FONCTIONNER ADÉQUATEMENT ET UN RETARD D'ALLUMAGE RISQUE DE SE PRODUIRE.**

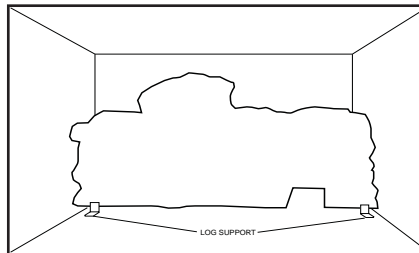
**LES BÛCHES SONT FRAGILES ET DEVRAIENT ÊTRE MANIPULÉES AVEC SOIN.**

76.1A

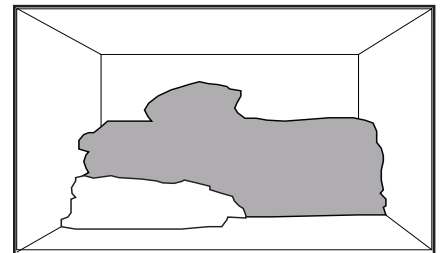
Les bûches **PHAZER<sup>MD</sup>** et les braises incandescentes, exclusives aux appareils Napoléon®, créent un effet incandescent réaliste et unique qui est différent dans chaque installation. Prenez le temps de bien installer les braises incandescentes pour obtenir le meilleur effet possible. La couleur des bûches peut varier. Lors de la première utilisation de l'appareil, les couleurs deviendront plus uniformes à mesure que leurs pigments seront « absorbés » pendant le procédé de « cuisson ».



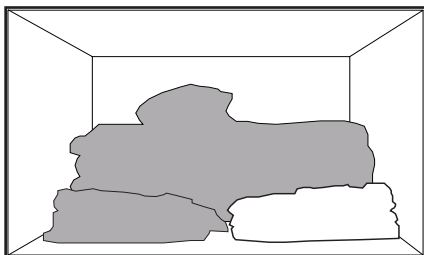
**A.** Placez les supports de bûche de gauche et de droite (fourni) sur la base du brûleur. Fixez avec les vis fournis. Assurez-vous que les crochets placés à l'opposé de la chambre de combustion, comme illustré.



**A.** Placez la bûche arrière derrière les supports à bûche gauche et droit et assurez-vous qu'elle soit serrée contre le brûleur. Prenez soin de centrer la veilleuse dans l'encoche. Ajustez les supports à bûche de façon serrée contre la bûche afin de la maintenir debout.



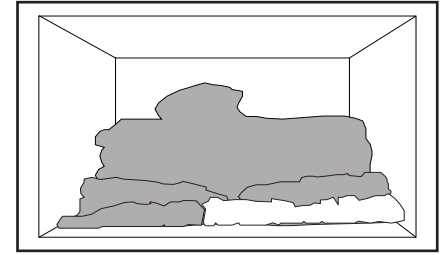
**B.** Mettez la bûche centrale gauche en place, en alignant les deux trous en dessous de la bûche avec les tiges situées sur le côté gauche du brûleur.



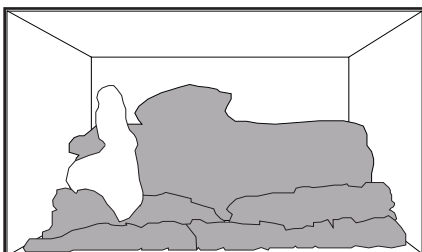
**C.** Mettez la bûche centrale droite en place, en alignant les deux trous sous la bûche avec les tiges situées sur le côté droit du brûleur.



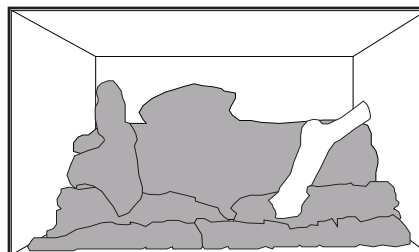
**D.** Placez la bande de charbon de bois gauche devant la bûche centrale gauche, en alignant les trous sous la bande avec les deux tiges avant gauches.



**E.** Placez la bande de charbon de bois droite devant la bûche centrale droite, en alignant les trous sous la bande avec les deux tiges avant droites.



**F.** Insérez une tige (fournie) dans le trou du côté gauche de la bûche arrière, mettez la bûche transversale gauche en place, en alignant le trou supérieur avec la tige de la bûche arrière.



**G.** Insérez une tige (fournie) dans le trou du côté droit de la bûche arrière, mettez la bûche transversale droite en place, en alignant le trou supérieur avec la tige de la bûche arrière.

FR

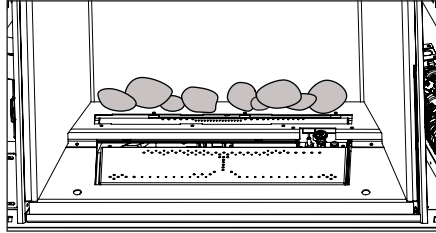


#### 4.4 PLACEMENT DES ROCHES OPTIONNELLE

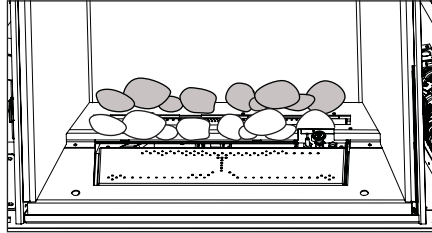
### ! AVERTISSEMENT

**NE PAS UTILISER DE VRAIES ROCHES DANS CET APPAREIL. LA CHALEUR LES FERA EXPLOSER.**

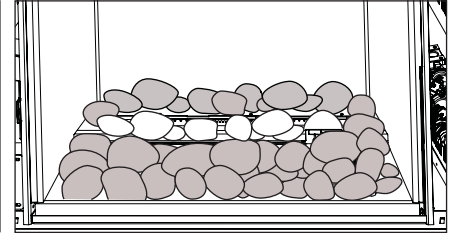
Avant de commencer l'installation, retirez la porte, les bûches, les bandes de charbon de bois et les braises incandescentes de l'appareil. Conservez les braises incandescentes.



**A.** Placez les grosses roches encochées le long de la marche, derrière le brûleur avant comme vous le désirez.



**B.** Placez les grosses roches encochées le long de la marche, derrière le brûleur avant comme vous le désirez.



**C.** Placez les autres roches autour du brûleur comme vous le désirez, en vous assurant de ne pas couvrir les orifices du brûleur. (Il n'y a pas de positions déterminées.)

**D.** Réinstallez les braises incandescentes par-dessus le brûleur.

**E.** Réinstallez la porte.

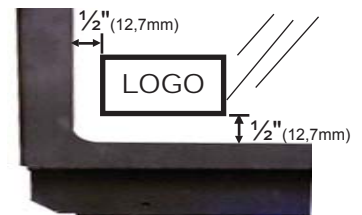
#### 4.5 BRAISES INCANDESCENTES

Déchirez les braises incandescentes en morceaux et placez-les le long de la première rangée des orifices du brûleur en couvrant toute la surface à l'avant des petites bûches. Les braises devraient être déchirées très soigneusement en petits morceaux minces irréguliers, car seuls les côtés exposés des fibres deviendront incandescentes. **Les braises seront incandescentes seulement lorsqu'elles sont exposées à une flamme directe; cependant, prenez bien garde de ne pas boucher les orifices du brûleur.**

Le blocage des orifices du brûleur peut créer une flamme irrégulière, des dépôts de carbone et un retard d'allumage. Les bûches PHAZER<sup>MD</sup> rougeoient lorsqu'elles sont exposées à une flamme directe. N'utilisez que des braises incandescentes et des bûches certifiées PHAZERMD, disponibles chez votre détaillant autorisé.

#### 4.6 MISE EN PLACE DU LOGO

Retirez le papier dorsal du logo et placez-le sur la porte vitrée tel qu'indiqué.



97.1A



#### 4.7 INSTALLATION DES PILE

Pour que le IR3-1 soit fonctionnel, vous devez installer 4 piles AA dans le (bloc-piles CC). Le bloc-piles est situé dans le coin inférieur droit de l'appareil. Les portes principales doit être enlever pour accéder les piles, voir la section « ENLEVEMENT ET INSTALLATION DE LA PORTE ». (Voir la section « VUE D'ENSEMBLE DE L'INSTALLATION » pour la location des piles).

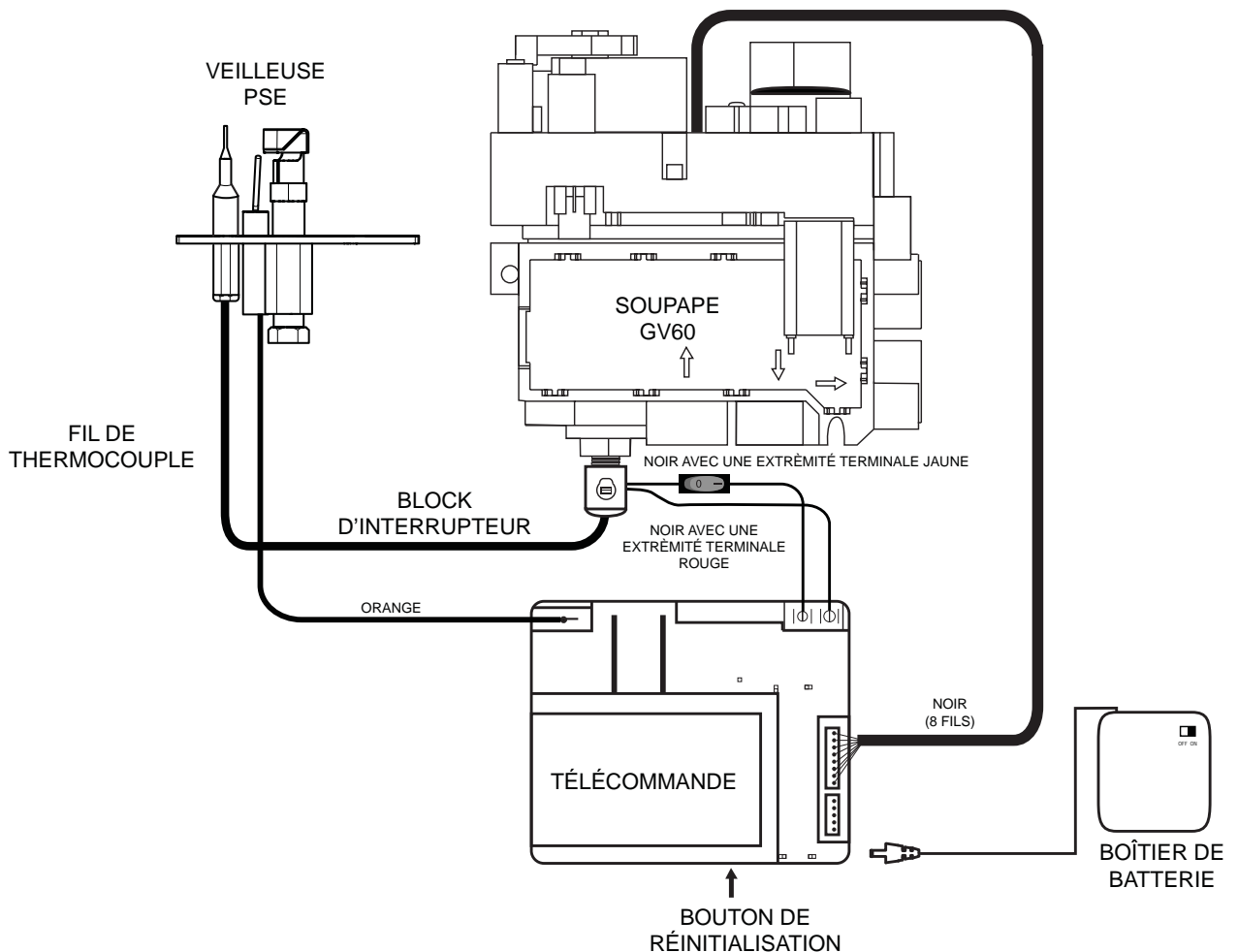
## 5.0 BRANCHEMENT ÉLECTRIQUE

<b>! AVERTISSEMENT</b>
<b>N'UTILISEZ PAS CE FOYER SI UNE PARTIE QUELCONQUE A ÉTÉ SUBMERGÉE. CONTACTEZ IMMÉDIATEMENT UN TECHNICIEN DE SERVICE QUALIFIÉ POUR INSPECTER L'APPAREIL POUR DES DOMMAGES AU CIRCUIT ÉLECTRIQUE.</b>
<b>RISQUE DE CHOCS ÉLECTRIQUES OU D'EXPLOSION. NE BRANCHEZ PAS LE 110 V À LA SOUPAPE OU À L'INTERRUPTEUR MURAL DE L'APPAREIL. UN BRANCHEMENT ÉLECTRIQUE INCORRECT ENDOMMAGERA LES CONTRÔLES.</b>
<b>CET APPAREIL DOIT ÊTRE RACCORDÉ ÉLECTRIQUEMENT PAR UN ÉLECTRICIEN QUALIFIÉ CONFORMÉMENT AUX CODES LOCAUX. EN L'ABSENCE DE CODES LOCAUX, UTILISEZ LA VERSION COURANTE DU CODE CANADIEN DE L'ÉLECTRICITÉ CSA C22.1 AU CANADA OU LE NATIONAL ELECTRICAL CODE ANSI/NFPA 70 AUX ÉTATS-UNIS.</b>
<b>ALLUMEZ TOUJOURS LA VEILLEUSE, QUE CE SOIT POUR LA PREMIÈRE FOIS OU LORSQUE L'APPROVISIONNEMENT EN GAZ EST ÉPUISÉ, AVEC LA PORTE VITRÉE OUVERTE OU RETIRÉE.</b>

69.2

### 5.1 SCHÉMA DE CÂBLAGE

Cet appareil est muni d'un bloc-piles. Installez 4 piles AA dans le bloc-piles qui est branché au harnais de fils. Placez-le vers l'avant de l'appareil afin de faciliter le remplacement des piles.



## 6.0 FONCTIONNEMENT

## ! AVERTISSEMENT

**SI CES INSTRUCTIONS NE SONT PAS SUIVIES À LA LETTRE, UN INCENDIE OU UNE EXPLOSION POURRAIENT S'ENSUIVRE, CAUSANT DES DOMMAGES MATÉRIELS, DES BLESSURES CORPORELLES OU DES PERTES DE VIE.**

**ALLUMEZ TOUJOURS LA VEILLEUSE, QUE CE SOIT POUR LA PREMIÈRE FOIS OU LORSQUE L'APPROVISIONNEMENT EN GAZ EST ÉPUISÉ, AVEC LA PORTE VITRÉE OUVERTE OU RETIRÉE.**

FR

Lorsqu'il est allumé pour la première fois, l'encastrement dégagera une légère odeur pendant quelques heures. Cela est une condition normale temporaire causée par l'évaporation des peintures et lubrifiants internes utilisés dans le processus de fabrication; elle ne se reproduira plus. Après de longues périodes sans utiliser l'appareil, comme à la suite de vacances ou à la fin de l'été, il se peut qu'une légère odeur se dégage pendant quelques heures. Ceci est causé par des particules de poussière brûlant dans l'échangeur de chaleur. Dans les deux cas, ouvrez une fenêtre pour aérer la pièce.

## 6.1 INSTRUCTIONS D'OPÉRATION ET D'ALLUMAGE

**OPERATING INSTRUCTIONS / INSTRUCTIONS D'OPÉRATION**

**FOR YOUR SAFETY READ BEFORE OPERATING / POUR VOTRE SÉCURITÉ LIRE AVANT DE FAIRE FONCTIONNER**

**WARNING:** IF YOU DO NOT FOLLOW THESE INSTRUCTIONS EXACTLY, A FIRE OR EXPLOSION MAY RESULT CAUSING PROPERTY DAMAGE, PERSONAL INJURY OR LOSS OF LIFE.

INITIAL LIGHTING OF THE PILOT AND MAIN BURNERS MUST BE DONE WITH THE GLASS DOOR OFF. DO NOT CONNECT VALVE OR WALL SWITCH TO ELECTRICITY. SEE INSTALLATION INSTRUCTIONS.

A. THIS FIREPLACE IS EQUIPPED WITH AN IGNITION DEVICE WHICH AUTOMATICALLY LIGHTS THE PILOT. DO NOT TRY TO LIGHT BY HAND.

B. BEFORE OPERATING SMELL ALL AROUND THE FIREPLACE AREA FOR GAS AND NEXT TO THE FLOOR, BECAUSE SOME GAS IS HEAVIER THAN AIR AND WILL SETTLE ON THE FLOOR.

**WHAT TO DO IF YOU SMELL GAS:**

- TURN OFF ALL GAS TO THE FIREPLACE.
- OPEN WINDOWS.
- DO NOT TRY TO LIGHT ANY APPLIANCE.
- DO NOT TOUCH ANY ELECTRIC SWITCH; DO NOT USE ANY PHONE IN YOUR BUILDING.
- IMMEDIATELY CALL YOUR GAS SUPPLIER FROM A NEIGHBOUR'S PHONE. FOLLOW THE GAS SUPPLIER'S INSTRUCTIONS.
- IF YOU CANNOT REACH YOUR GAS SUPPLIER, CALL THE FIRE DEPARTMENT.
- DO NOT TRY TO REPAIR ANY PART OF THIS ASSEMBLY. CALL A QUALIFIED SERVICE TECHNICIAN. FORCE OR ATTEMPTED REPAIR MAY RESULT IN A FIRE OR EXPLOSION.
- DO NOT USE THIS FIREPLACE IF ANY PART HAS BEEN UNDER WATER. IMMEDIATELY CALL A QUALIFIED SERVICE TECHNICIAN TO INSPECT THE FIREPLACE AND REPLACE ANY PART OF THE CONTROL SYSTEM AND ANY GAS CONTROL WHICH HAS BEEN UNDER WATER.

**ATTENTION:** SI CES INSTRUCTIONS NE SONT PAS OBSERVÉES À LA LETTRE, UN FEU OU UNE EXPLOSION POURRAIT S'ENSUIVRE CAUSANT DES DOMMAGES À LA PROPRIÉTÉ, DES BLESSURES CORPORELLES OU PERTE DE VIE.

L'ALLUMAGE INITIAL DE LA VEILLEUSE ET DU BRULEUR PRINCIPAL DOIT SE FAIRE AVEC LA PORTE VITRÉE ENLEVÉE. NE RACCORDEZ PAS LA SOUPAPE OU L'INTERRUPTEUR MURAL À L'ÉLECTRICITÉ. CONSULTEZ LES INSTRUCTIONS D'INSTALLATION.

A. CET APPAREIL EST MUNI D'UN DISPOSITIF D'ALLUMAGE QUI ALLUME LA VEILLEUSE AUTOMATIQUÉMENT.

B. AVANT D'ALLUMER LA VEILLEUSE MANUELLEMENT, N'ESSAYEZ PAS D'ALLUMER L'AIR AUTOUR DE L'APPAREIL ET PRÈS DU PLANCHER (CERTAINS GAZ SONT PLUS LOURDS QUE L'AIR ET SE DÉPOSERONT AU NIVEAU DU PLANCHER) POUR DÉTECTER UNE FUITE POSSIBLE.

QUE FAIRE SI VOUS DÉTECTEZ UNE ODEUR DE GAZ:

- COUPEZ L'ALIMENTATION DE GAZ PRINCIPALE.
- OUVREZ LES FENÊTRES.
- N'ALLUMEZ AUCUN APPAREIL.
- NE TOUCHEZ PAS À AUCUN INTERRUPTEUR ÉLECTRIQUE; N'UTILISEZ AUCUN TÉLÉPHONE DANS VOTRE IMMEUBLE.
- APPELEZ IMMÉDIATEMENT VOTRE FOURNISSEUR DE GAZ D'UN TÉLÉPHONE VOISIN ET SUIVEZ SES INSTRUCTIONS.
- SI VOUS NE POUVEZ PAS REJOINDRE VOTRE FOURNISSEUR DE GAZ, APPELEZ LE SERVICE DES INCENDIES.
- N'ESSAYEZ PAS DE RÉPARER AUCUNE PIÈCE DE CET ASSEMBLAGE. APPELEZ UN TECHNICIEN QUALIFIÉ. FORCER OU TENTER DE RÉPARER L'ASSEMBLAGE POURRAIT CAUSER UN FEU OU UNE EXPLOSION.
- N'UTILISEZ PAS CET APPAREIL SI UN DE SES COMPOSANTS A ÉTÉ SUBMÉRGÉ. CONTACTEZ IMMÉDIATEMENT UN TECHNICIEN DE SERVICE QUALIFIÉ POUR INSPECTER L'APPAREIL ET REMPLACER TOUT SYSTÈME DE CONTRÔLE DE GAZ TOUCHÉ PAR L'EAU.

W385-1907

**LIGHTING INSTRUCTIONS / INSTRUCTIONS D'ALLUMAGE**

1. **STOP!** READ ALL INFORMATION OF OPERATING AND LIGHTING INSTRUCTIONS BEFORE PROCEEDING.
2. TURN REMOTE/WALL SWITCH TO THE "OFF" POSITION.
3. TURN OFF ELECTRIC POWER TO THE FIREPLACE AND/OR REMOVE THE BATTERIES.
4. THIS FIREPLACE IS EQUIPPED WITH AN IGNITION DEVICE WHICH AUTOMATICALLY LIGHTS THE PILOT. DO NOT TRY TO LIGHT THE PILOT BY HAND.
5. OPEN THE GLASS DOOR.
6. TURN MANUAL SHUTOFF VALVE CLOCKWISE TO "OFF".
7. WAIT FIVE (5) MINUTES TO CLEAR OUT ANY GAS. IF YOU SMELL GAS INCLUDING NEAR THE FLOOR, **STOP!** FOLLOW "B" OF THE OPERATING INSTRUCTIONS. IF YOU DON'T SMELL GAS GO TO THE NEXT STEP.
8. CLOSE THE GLASS DOOR.
9. TURN MANUAL SHUTOFF VALVE COUNTER-CLOCKWISE TO "ON".
10. TURN ON ALL ELECTRIC POWER TO THE FIREPLACE AND/OR REINSTALL THE BATTERIES.
11. TURN REMOTE/WALL SWITCH TO THE "ON" POSITION.

1. **ARRÊTEZ!** LISEZ TOUTES LES INSTRUCTIONS DE FONCTIONNEMENT ET D'ALLUMAGE AVANT DE CONTINUER.
2. TOURNEZ L'INTERRUPTEUR MURAL/TÉLÉCOMMANDE MANUELLE À "OFF".
3. COUPEZ L'ALIMENTATION ÉLECTRIQUE À L'APPAREIL ET/OU ENLEVEZ LES PILES.
4. CET APPAREIL EST MUNI D'UN DISPOSITIF D'ALLUMAGE QUI ALLUME LA VEILLEUSE AUTOMATIQUÉMENT, N'ESSAYEZ PAS D'ALLUMER LA VEILLEUSE MANUELLEMENT.
5. OUVREZ LA PORTE VITRÉE.
6. TOURNEZ LA SOUPAPE DE SECTIONNEMENT MANUELLE VERS LA DROITE À "OFF".
7. ATTENDEZ CINQ (5) MINUTES POUR QUE LE GAZ PUISSE S'ÉCHAPPER. SI VOUS DÉTECTEZ UNE ODEUR DE GAZ, **ARRÊTEZ!** SUIVEZ « B » DANS LES INSTRUCTIONS DE FONCTIONNEMENT. S'IL N'Y A PAS D'ODEUR DE GAZ, PASSEZ À L'ÉTAPE SUIVANTE.
8. FERMEZ LA PORTE VITRÉE.
9. TOURNEZ LA SOUPAPE DE SECTIONNEMENT MANUELLE VERS LA GAUCHE À "ON".
10. RÉTABLISSEZ L'ALIMENTATION ÉLECTRIQUE AU FOYER ET/OU INSTALLEZ LES PILES.
11. TOURNEZ L'INTERRUPTEUR MURAL/TÉLÉCOMMANDE MANUELLE À "ON".

**TO TURN OFF GAS / INSTRUCTIONS POUR COUPER LE GAZ**

1. TURN OFF ALL ELECTRICAL POWER TO THE FIREPLACE IF SERVICE IS TO BE PERFORMED.
2. TURN MANUAL SHUTOFF VALVE CLOCKWISE TO "OFF". DO NOT FORCE.

1. COUPEZ L'ALIMENTATION ÉLECTRIQUE AU FOYER SI UN TRAVAIL D'ENTRETIEN DOIT SE FAIRE.
2. TOURNEZ LA SOUPAPE D'ARRÊT MANUELLE VERS LA DROITE À "OFF" NE FORCEZ PAS.





## 6.2 FONCTIONNEMENT

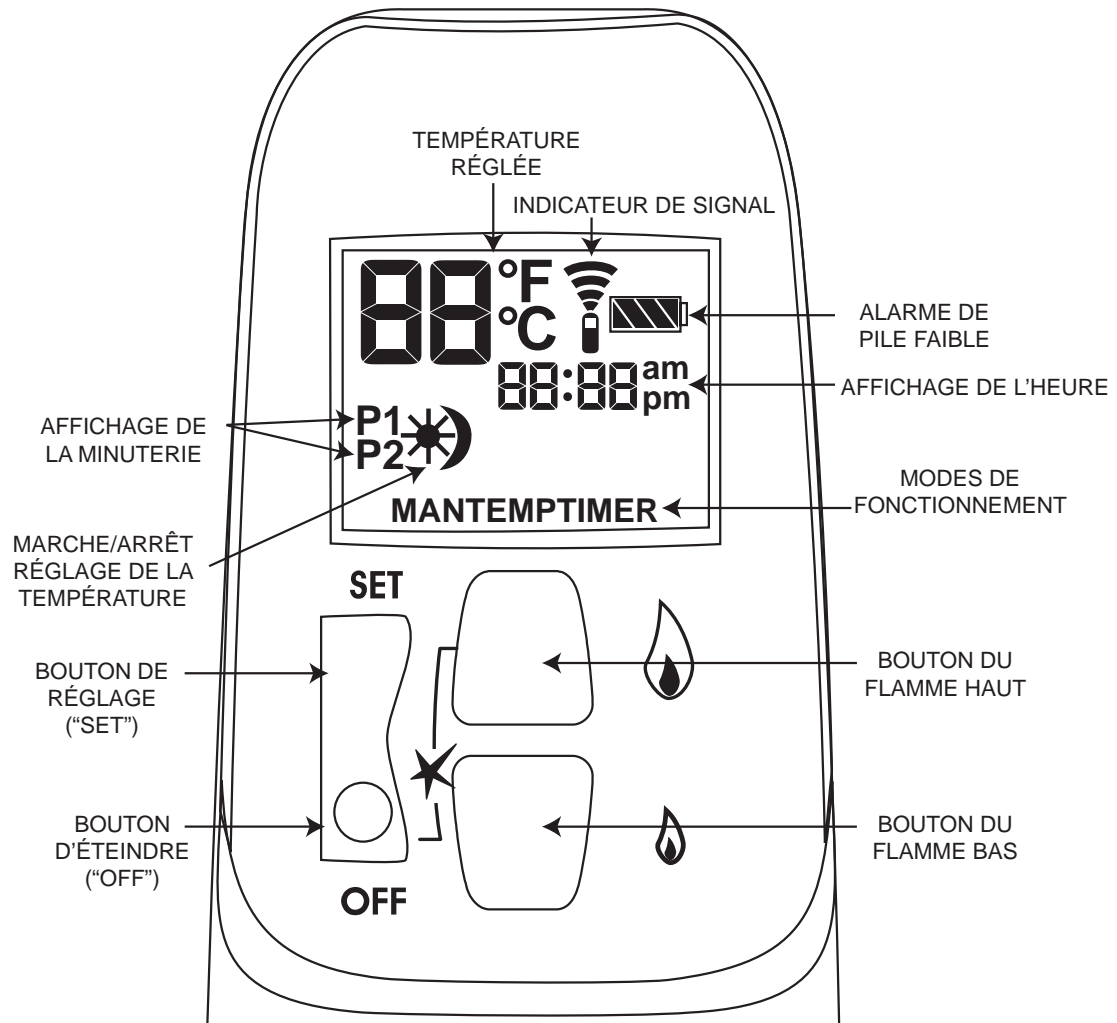
## ! AVERTISSEMENT

**SI CES INSTRUCTIONS NE SONT PAS SUIVIES À LA LETTRE, UN INCENDIE OU UNE EXPLOSION POURRAIENT S'ENSUIVRE, CAUSANT DES DOMMAGES MATÉRIELS, DES BLESSURES CORPORELLES OU DES PERTES DE VIE.**

**ALLUMEZ TOUJOURS LA VEILLEUSE, QUE CE SOIT POUR LA PREMIÈRE FOIS OU LORSQUE L'APPROVISIONNEMENT EN GAZ EST ÉPUISÉ, AVEC LA PORTE VITRÉE OUVERTE OU RETIRÉE.**

FR

## 6.2.1 DESSIN GÉNÉRAL DE LA TÉLÉCOMMANDE





35.26

## 6.2.2 PROGRAMMATION

- A. Appuyez sur le bouton RESET du récepteur et maintenez-le enfoncé jusqu'à ce que vous entendiez deux bips. (Le premier bip est bref et le second bip est long.) Relâchez le bouton après le deuxième bip.
- B. Dans les 20 secondes qui suivent, appuyez sur le bouton de la télécommande accompagné d'une petite flamme 🔥 jusqu'à ce que vous entendiez deux bips brefs supplémentaires confirmant que le code est réglé, consultez la section « DESSIN GÉNÉRAL DE LA TÉLÉCOMMANDE » pour avoir une représentation de la télécommande. (REMARQUE : Un long bip indique que la séquence a échoué ou que le raccordement par fil est incorrect.)

**REMARQUE:** Il s'agit d'un réglage unique qui ne sera pas requis après le changement des piles de la télécommande ou du récepteur.

## 6.2.3 ALLUMÉE L'APPAREIL

- A. Placez le commutateur « MARCHE/ARRÊT » en position « ON » avec le récepteur, consultez la section « DESSIN GÉNÉRAL DE LA TÉLÉCOMMANDE » pour la location du récepteur.
- B. À l'aide de la télécommande, appuyez simultanément sur le bouton de la grande flamme  et sur le bouton OFF jusqu'à ce que vous entendiez un bip bref; cela confirme le démarrage de l'appareil et vous pouvez alors relâcher les deux boutons. (Le processus d'allumage commence dès le début du bip continu.)
- C. Attendez quelques secondes pour que le feu s'allume dans l'appareil. Après l'allumage principal, la télécommande se réglera par défaut à la mode température de jour  **TEMP**.

**REMARQUE:** Consultez la section « DESSIN GÉNÉRAL DE LA TÉLÉCOMMANDE ».

## 6.2.4 ÉTEINDRE L'APPAREIL

- A. Appuyez sur le bouton « OFF » de la télécommande.









**REMARQUE:** Pour mettre l'appareil en marche après avoir appuyé sur le bouton « OFF », vous devez attendre 30 secondes. L'appareil s'éteint si aucun changement n'est apporté à la hauteur de la flamme pendant une période de 5 jours

## 6.2.5 FONCTIONNEMENT DE LA TÉLÉCOMMANDE

- A. Appuyez sur le bouton « Set » pour changer de mode.
- B. modes changent selon l'ordre suivant:





**REMARQUE:** Consultez la section « DESSIN GÉNÉRAL DE LA TÉLÉCOMMANDE » pour avoir une représentation de la télécommande.



- Pour régler la hauteur de la flamme en mode manuel , appuyez deux fois sur le bouton accompagné d'une grande flamme  pour augmenter la hauteur de la flamme jusqu'à la hauteur la plus élevée. Appuyez deux fois sur le bouton accompagné d'une petite flamme  pour diminuer la hauteur de la flamme jusqu'à la hauteur la plus basse. Appuyez sur le bouton accompagné d'une grande flamme  pour augmenter la hauteur de la flamme ou sur le bouton accompagné d'une petite flamme pour diminuer la hauteur de la flamme. **REMARQUE :** Si vous maintenez le bouton accompagné d'une petite flamme  enfoncé pendant trop longtemps, l'appareil passera en veilleuse. Pour éteindre l'appareil complètement, appuyez sur le bouton « OFF ».
- Pour le mode température de jour  **TEMP**, l'appareil doit être réglé en mode veille (ignition du pilote). Le réglage de la température par défaut de ce mode est de 23°C / 74°F. (Le mode de température de jour est défini en comparant la température configurée et la température ambiante. La hauteur de la flamme s'ajuste alors automatiquement pour obtenir la température correspondant au réglage de jour.)
- Pour le mode température de nuit  **TEMP**, l'appareil doit être réglé en mode veille (ignition du pilote). (Le mode de température de nuit est défini en comparant la température configurée pour la nuit et la température ambiante. La hauteur de la flamme s'ajuste alors automatiquement pour obtenir la température correspondant au réglage de nuit.)
- Pour le mode minuterie , l'appareil doit être réglé en mode veille (ignition du pilote). Deux réglages de minuterie sont disponibles (P1 et P2) et permettent à l'appareil de s'éteindre et de s'allumer à des moments précis. **REMARQUE:** L'« AFFICHAGE DE LA MINUTERIE » indique la température de consigne toutes les 30 secondes.

### 6.2.6 AFFICHEUR DE TEMPÉRATURE



**REMARQUE:** Appuyez simultanément sur le bouton « OFF » et sur le bouton accompagné d'une petite flamme jusqu'à ce que l'affichage de la température en degrés Fahrenheit passe en Celsius, et vice versa. Lors du changement de Fahrenheit en Celsius l'horloge passera du mode 12 heures au mode 24 heures, consultez la section « DESSIN GÉNÉRAL DE LA TÉLÉCOMMANDE » .

- A. Pour régler le mode de température de jour, appuyez brièvement sur le bouton SET, faites défiler jusqu'au mode désiré, puis maintenez le bouton SET enfoncé jusqu'à ce que «TEMP» clignote à l'écran.
- B. Pour augmenter la température de jour, appuyez sur le bouton accompagné d'une grande flamme . Pour diminuer la température de jour, appuyez sur le bouton accompagné d'une petite flamme . Pour faire de ce paramètre la nouvelle température configurée, appuyez sur le bouton OFF.
- C. Pour régler le mode de température de nuit, appuyez brièvement sur le bouton SET, faites défiler jusqu'au mode désiré, puis maintenez le bouton SET enfoncé jusqu'à ce que « TEMP » clignote à l'écran.
- D. Pour augmenter la température de nuit, appuyez sur le bouton accompagné d'une grande flamme . Pour diminuer la température de nuit, appuyez sur le bouton accompagné d'une petite flamme . Pour faire de ce paramètre la nouvelle température configurée, appuyez sur le bouton OFF.







**REMARQUE:** En fonctionnement normal, la télécommande affiche toujours la température ambiante. Fonction de thermostat de régler la hauteur de flamme en fonction de la différence entre la température de consigne et la température réelle de la pièce; que la température ambiante se rapproche de la consigne il ajustera la flamme vers le bas.

### 6.2.7 RÉGLER L'HEURE

**REMARQUE:** L'affichage de l'heure se met à clignoter à la suite de l'installation des piles ou lorsque les boutons accompagnés d'une grande et d'une petite flamme sont enfoncés simultanément.





- A. Pour ajuster l'heure, appuyez sur le bouton accompagné d'une grande flamme .
- B. Pour ajuster les minutes, appuyez sur le bouton accompagné d'une petite flamme .
- C. Appuyez sur le bouton « OFF » pour régler l'heure.

### 6.2.8 RÉGLER LA MINUTERIE

- A. Pour régler le mode minuterie, appuyez brièvement sur le bouton SET et faites défiler jusqu'au mode désiré.
- B. Défiler entre P1\*, P1, P2\*, P2 par appuyez sur le bouton SET.
- C. Après que le temps désirées du minuterie est montré et l'heures clignote, appuyez sur le bouton accompagné d'une grande la flamme  pour ajuster l'heure et sur le bouton accompagné d'une petite flamme  pour ajuster les minutes. Appuyez sur le bouton « OFF » pour régler l'heure.

**REMARQUE:** Le réglage par défaut de la fonction de minuterie est le suivant : P1\* 6 h et P2 8 h, P2\* 11 h 50 et P2 11 h 50, consultez la section « DESSIN GÉNÉRAL DE LA TÉLÉCOMMANDE » .

### 6.2.9 HAUTEUR DE LA FLAMME

- A. À l'aide de la télécommande, vous pouvez régler la hauteur de la flamme à « ÉLEVÉ » en appuyant deux fois sur le bouton accompagné d'une grande flamme . Vous pouvez également augmenter la hauteur de la flamme en appuyant sur le bouton accompagné d'une grande flamme  et en le maintenant enfoncé.
- B. À l'aide de la télécommande, vous pouvez régler la hauteur de la flamme à « BAS » en appuyant deux fois sur le bouton accompagné d'une petite flamme . Vous pouvez également diminuer la hauteur de la flamme en appuyant sur le bouton accompagné d'une petite flamme  et en le maintenant enfoncé.

**REMARQUE:** Pour un réglage précis, appuyez et relâchez aussitôt le bouton accompagné d'une grande flamme  ou le bouton accompagné d'une petite flamme  lorsque vous utilisez la télécommande. Si le bouton accompagné d'une petite flamme est maintenu enfoncé trop longtemps, le brûleur principal s'éteint.

## 6.2.10 PILES FAIBLES

- A.** Des bips répétitifs pendant 3 secondes lorsque l'appareil se met en marche indiquent que les piles du récepteur sont faibles. Le support de piles est située à la côté droite aux bas de l'appareil, voir la section «VUE D'ENSEMBLE DE L'INSTALLATION » pour l'emplacement.
- B.** L'indicateur de pile est situé dans le coin supérieur droit de la télécommande. Nous vous recommandons de remplacer les piles tous les deux ans.

**REMARQUE:** Lorsque les piles sont faibles, l'appareil s'éteint; cela ne se produira pas si l'alimentation électrique est interrompue. L'appareil s'éteint si aucun changement n'est apporté à la hauteur de la flamme pendant une période de 5 jours.

## 7.0 RÉGLAGES

### 7.1 RÉGLAGE DE LA VEILLEUSE

En utilisant un tournevis, accédez à la vis de réglage en passant par le trou du bouton de réglage manuel et tournez-la en position « ON ».

Pour accéder à la vis de réglage, percez le film protecteur, puis tournez la vis en sens horaire pour diminuer la flamme de la veilleuse ou en sens antihoraire pour augmenter la flamme de la veilleuse.

Ajustez la vis de la veilleuse pour obtenir une flamme de taille normale.

#### **VÉRIFIER LA PRESSION:**

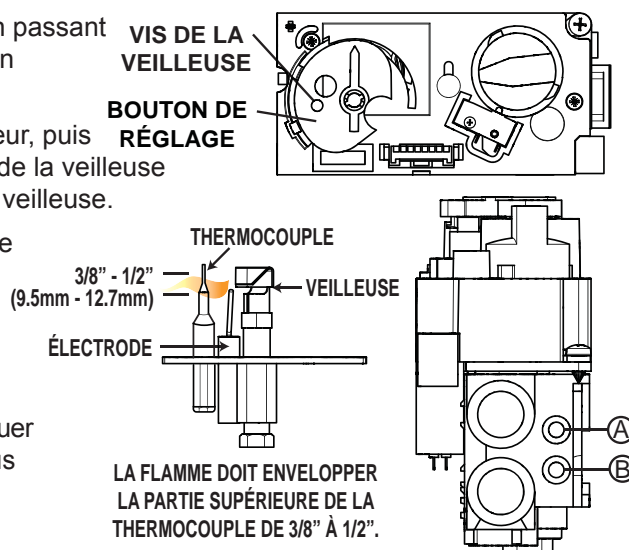
Pour vérifier la pression d'arrivée, tournez la vis (A) vers la gauche deux à trois tours, puis emboîtez le tube du manomètre sur la pointe d'essai. Le manomètre doit indiquer comme décrit aux diagramme au dessous. Assurez-vous que le brûleur principal fonctionne à «HI».

La vérification de la pression de sortie s'effectue comme ci-dessus en utilisant la vis (B). Le manomètre doit indiquer comme décrit aux diagramme au dessous. Assurez-vous que le brûleur principal fonctionne à «HI».

**APRÈS AVOIR PRIS LA LECTURE DES PRESSIONS, ASSUREZ-VOUS DE TOURNER FERMEMENT LES VIS VERS LA DROITE POUR SCELLER. NE SEREZ PAS TROP FORT.**

Vérifiez pour des fuites en apliquant une solution d'eau savonneuse.

Avant d'effectuer le réglage de la veilleuse, assurez-vous que l'assemblage de la veilleuse n'a pas été peint. S'il y a des traces de peinture ou de surpulsérisation, enlevez-les de l'assemblage de la veilleuse ou remplacez-le. Une toile d'émeri ou du papier sablé fins peut être utilisé pour enlever la peinture sur la hotte de la veilleuse, sur l'électrode et sur le capteur de flamme.



Pression	Gaz Naturel (pouces)	Gaz Naturel (millibars)	Propane (pouces)	Propane (millibars)
Arrivée	7" (min.4,5")	17,4 mb (min.11,2mb)	13" (min.11")	32,4 mb (min.27,4mb)
Sortie	3,5"	8,7 mb	10"	24,9 mb

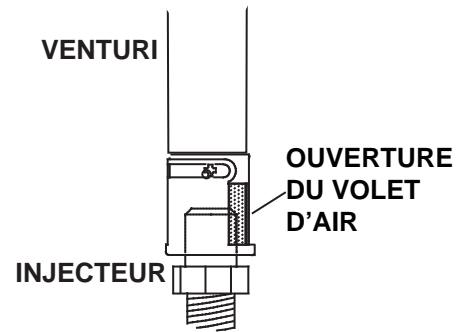
39.8A

## 7.2 RÉGLAGE DU VENTURI

L'ouverture du volet d'air a été pré-réglée en usine selon le tableau ci-dessous :

Indépendamment de l'orientation du venturi, plus le volet est fermé, plus la flamme est jaune et aura tendance à causer des dépôts de carbone. Plus le volet est ouvert, plus la flamme est bleue et plus elle a tendance à se détacher des orifices du brûleur. La flamme peut ne pas être jaune immédiatement; allouez de 15 à 30 minutes pour que la couleur finale de la flamme se stabilise.

**LE RÉGLAGE DU VOLET D'AIR DOIT ÊTRE EXÉCUTÉ PAR UN TECHNICIEN OU INSTALLATEUR QUALIFIÉ!**

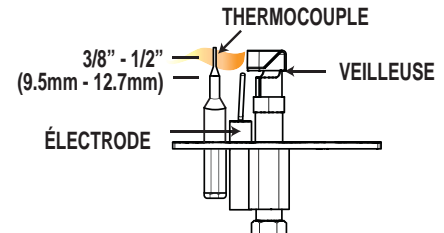
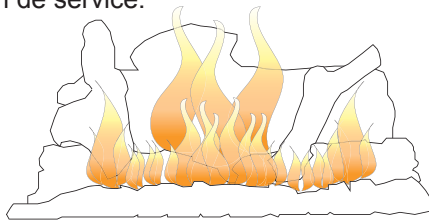


49.1

IR3-1	
GN	1/16" (1,6mm)
PL	3/8" (9,5mm)

## 7.3 CARACTÉRISTIQUES DE LA FLAMME

Il est important d'effectuer périodiquement une inspection visuelle de la flamme de la veilleuse et du brûleur. Comparez-les à ces illustrations. Si des flammes paraissent anormales, contactez un technicien de service.



LA FLAMME DOIT ENVELOPPER LA PARTIE SUPÉRIEURE DE LA SONDE DE FLAMME DE 3/8" (9.5mm) À 1/2" (12.7mm)

54.6



## 7.4 CONVERSION PL

- A. Fermez l'alimentation de gaz à l'appareil.
- B. Enlever la façade et puis la porte principale de l'appareil par déverrouillez les deux loquets supérieurs puis penchez légèrement vers l'avant et soulevez hors des fentes.
- C. Enlevez les bûches et les panneaux de l'appareil.
- D. Enlevez le support à bûche de l'appareil par retirez les 5 vis servant à fixer en place, voir Figure 1.
- E. Enlever le brûleur de l'appareil par retirez les 4 vis is servant à fixer en place, voir Figure 2.
- F. Enlevez l'injecteur et remplacez-le par l'injecteur fourni dans le sac du manuel. (Utilisez un composé à joint).
- G. L'ouverture du volet d'air doit être changer à 1/16" pour le Gaz Naturel ou 3/8" pour Propane.
- H. Pour convertir la soupape principale au combustible désiré, retirez le bouchon de conversion à l'aide d'un tournevis. Retirez l'embout en plastique et faites une rotation de 180 degrés, voir Figure 3. Rebranchez le bouchon de conversion (jusqu'à ce que vous entendiez un déclic). Réinstallez le bouchon de conversion.
- I. Enlever le vis de taux min. et remplacez-le par celui fourni.

**NOTE:** La localisation du vis de taux minimum, le bouchon de conversion et la languette sont illustrée en Figure 4 & 5.

- J. Desserrez le capuchon de la veilleuse en tournant dans le sens horaire avec avec une clé jusqu'à ce que la languette de conversion glisse facilement. Faites glisser la languette vers le combustible désiré, la languette comporte les indications NAT et LP. Serré le capuchon de la veilleuse en position initiale, ne serrez pas trop!
- K. Réinstallez le brûleur et le support à bûches.
- L. L'étiquette de données de conversion, trouver dans le sac manuel, doit être remplie et fixée à la côté du soupape.
- M. Rétablissez l'alimentation en gaz et vérifiez pour des fuites de gaz en appliquant une solution d'eau savonneuse. Ne pas utiliser de flamme nue.
- N. Allumez la veilleuse et le brûleur principal pour vous assurer que les conduites de gaz ont été purgées. Voir la section «DIRECTIVES D'UTILISATION ET D'ALLUMAGE» dans votre manuel instruction d'installation.
- O. Lorsque tous les systèmes ont été vérifiés installez les panneaux puis les bûches.
- P. Réinstallez la porte et la façade sur l'appareil.

FIG. 1

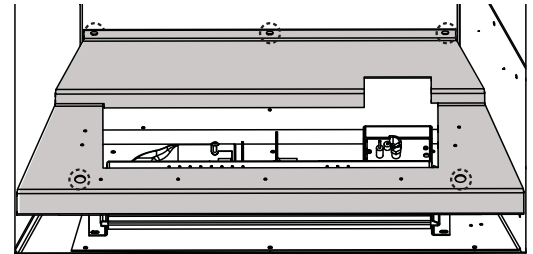


FIG. 2

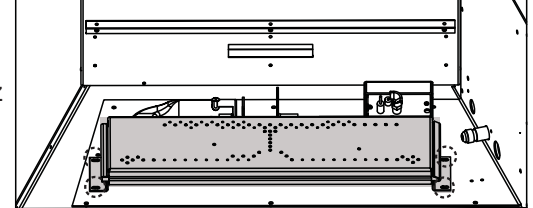


FIG. 3

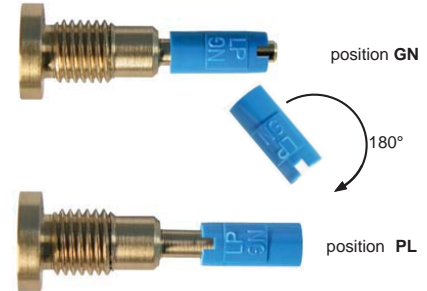


FIG. 4

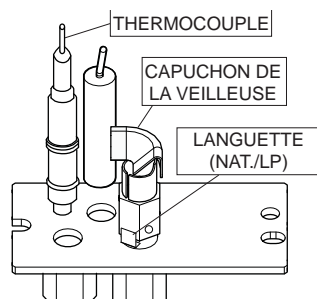
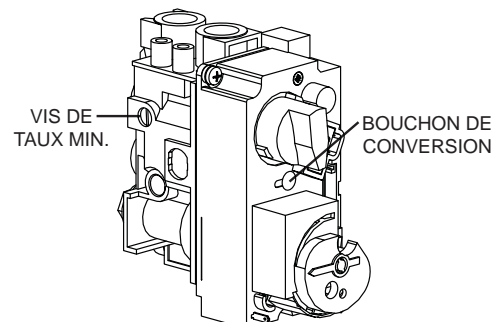


FIG. 5



## 8.0 ENTRETIEN

<b>! AVERTISSEMENT</b>
<b>COUPEZ L'ALIMENTATION EN GAZ ET L'ALIMENTATION ÉLECTRIQUE AVANT DE PROCÉDER À L'ENTRETIEN DE L'APPAREIL.</b>
<b>L'APPAREIL PEUT ÊTRE CHAUD. ATTENDEZ QU'IL SOIT REFROIDI AVANT D'EN FAIRE L'ENTRETIEN.</b>
<b>N'UTILISEZ PAS DE PRODUITS ABRASIFS.</b>
<b>NE PEINTURE PAS L'ASSEMBLAGE DU VEILLEUSE.</b>

FR

**ATTENTION :** Lors de l'entretien des contrôles, assurez-vous d'identifier chacun des fils avant de les débrancher. Une réinstallation incorrecte des fils peut occasionner un mauvais fonctionnement et être dangereuse. Assurez-vous que l'appareil fonctionne adéquatement une fois l'entretien terminé. Cet appareil et son système d'évacuation devraient être inspectés avant la première utilisation et au moins une fois l'an par un technicien de service qualifié. L'espace entourant l'appareil doit être gardé propre et libre de matériaux combustibles, d'essence ou autres liquides et vapeurs inflammables. Les apports d'air comburant et d'air de convection ne doivent pas être obstrués.

- A.** Pour nettoyer le brûleur principal et la veilleuse adéquatement, il faut retirer les bûches, les roches ou la vitre afin de dégager les deux ensembles.
- B.** Gardez le compartiment des contrôles, les composants décoratifs, le brûleur, le volet d'air et l'espace entourant les bûches propres en brossant ou en passant l'aspirateur au moins une fois l'an.
- C.** Assurez-vous que tous les orifices des brûleurs produisent des flammes. Nettoyez tous les orifices qui n'ont pas de flamme ou dont la flamme ne brûle pas adéquatement.
- D.** Assurez-vous que la flamme de la veilleuse est assez puissante pour envelopper la sonde de flamme et/ou le thermocouple/thermopile et qu'elle atteigne le brûleur.
- E.** Remettez en place les bûches, les roches ou la vitre nettoyées, si équipé. Omettre de positionner les composants décoratifs adéquatement peut causer des dépôts de carbone qui peuvent se déposer dans des endroits de séjour avoisinants.
- F.** Vérifiez si le brûleur principal allume sur tous les orifices lorsque le bouton de contrôle du gaz est à « ON ». Un temps d'allumage total de 5 à 10 secondes est satisfaisant. Si l'allumage prend plus de temps, consultez votre détaillant autorisé.
- G.** Vérifiez si les joints d'étanchéité sur les côtés, le haut et le bas de la porte ne sont pas brisés ou manquants. Remplacez si nécessaire.
- H.** Si pour une raison quelconque le système d'évents de prise d'air est démonté, réinstallez et rescellez-le selon les instructions fournies dans l'installation initiale.
- I.** Il est possible que l'écran de protection (pare-étincelles) nécessite un nettoyage occasionnel en raison des peluches/poussières provenant des tapis, des animaux, etc. il suffit de passer l'aspirateur à l'aide de l'embout avec une brosse.
- J.** Vérifiez si le système de décharge de pression effectue efficacement. Vérifiez si les joints d'étanchéité ne sont pas brisés ou manquants. Remplacez si nécessaire.

40.1D



## 8.1 ENTRETIEN ANNUEL

## ! AVERTISSEMENT

**LE CAISSON DEVIENT TRÈS CHAUD LORS DU FONCTIONNEMENT. LAISSEZ L'APPAREIL SE REFROIDIR COMPLÈTEMENT OU PORTEZ DES GANTS ANTICHALEUR AVANT D'EFFECTUER L'ENTRETIEN.**

**NE JAMAIS ASPIRER DES BRAISES QUI SONT CHAUDES.**

**NE PEINTUREZ PAS L'ASSEMBLAGE DE LA VEILLEUSE.**

- Cet appareil nécessite un entretien qui devra être effectué sur une base annuelle.
- L'entretien devrait inclure un nettoyage, le remplacement des piles, une inspection du système d'évent, du brûleur, des éléments décoratifs internes et de la chambre de combustion. Consultez la section pour l'enlèvement de la porte et retirez la porte comme indiqué.
- Enlevez soigneusement les éléments décoratifs internes s'il y a lieu (bûches, braises de verre, panneaux de brique, etc.)
- À l'aide d'un aspirateur muni d'une brosse souple, aspirez les saletés, les débris et les dépôts de carbone sur les bûches, la chambre de combustion et le brûleur. Pour les braises de verre, suivez les instructions de prénettoyage.
- Enlevez aussi tout dépôt se trouvant sur l'assemblage de la veilleuse et aussi, s'il y a lieu, sur la thermopile, le thermocouple, le capteur de flamme et l'allumeur. **NOTE: Vous devrez possiblement nettoyer le capteur de flamme à l'aide d'un morceau de laine d'acier ou Scotch-Brite™ afin de retirer toute trace d'oxydation. Nettoyez l'assemblage du pilote à l'aide d'un aspirateur muni d'une brosse souple. Il est important de ne pas peindre l'assemblage de la veilleuse.**
- Inspectez tous les joints d'étanchéité accessibles et remplacez-les au besoin.
- Accédez à la soufflerie, s'il y a lieu, puis nettoyez à l'aide d'une brosse souple et d'un aspirateur.
- Réinstallez tous les composants dans l'ordre inverse.
- Inspectez le système de surpression. L'appareil dissipe la pression par la porte vitrée ou par les clapets sur le dessus du caisson. Assurez-vous qu'ils ouvrent sans restriction et qu'ils ferment de façon étanche.
- Vérifiez si la soupape de gaz de la veilleuse et les boutons Hi / Lo bougent librement (s'il y a lieu) - remplacez si vous constatez de la rigidité dans le mouvement.
- Vérifiez tous les branchements du gaz pour des fuites de gaz, en amont et en aval de la soupape de gaz incluant les connexions du tube de la veilleuse.

37.1C

## 8.2 SOINS DE LA VITRE

**NE PAS NETTOYER LA VITRE LORSQU'ELLE EST CHAUDE! N'EMPLOYEZ PAS DE DÉTERGENTS ABRASIFS POUR NETTOYER LA VITRE.**

Polissez légèrement à l'aide d'un linge propre et sec. Nettoyez les deux côtés de la vitre avec un nettoyeur recommandé après les dix premières heures de fonctionnement. Par la suite, nettoyez aussi souvent qu'il le faudra, sinon la vitre risque de rester marquée en

## ! AVERTISSEMENT



**LA VITRE CHAUDE CAUSERA DES BRÛLURES.**

**NE PAS TOUCHER LA VITRE AVANT QU'ELLE AIT REFROIDI.**

**NE JAMAIS LAISSER LES ENFANTS TOUCHER LA VITRE.**

5.1

L'appareil est muni d'une 5mm en verre céramique Remplacez uniquement avec une vitre certifiée pour le foyer disponible chez votre détaillant Napoléon. **N'UTILISEZ PAS DE MATÉRIAUX SUBSTITUTS.**

5.5.1



## 8.4 SOINS DES PIÈCES PLAQUÉES

Si l'appareil est muni de pièces plaquées, vous devez enlever toutes traces de doigts ou autres marques des surfaces plaquées avant d'allumer l'appareil pour la première fois. Utilisez un nettoyant à vitres ou du vinaigre et un linge pour nettoyer. Si la surface plaquée n'est pas bien nettoyée avant le premier allumage de l'appareil, elle risque de rester marquée en permanence. Une fois que la surface plaquée aura chauffé, les traces de doigts et le gras n'affecteront plus la surface et très peu d'entretien sera requis; vous n'aurez qu'à l'essuyer au besoin. Une combustion prolongée à haute température avec la porte ouverte peut causer une décoloration des pièces plaquées.

**NOTE:** L'emballage de protection sur les pièces plaquées s'enlève mieux lorsque l'assemblage est à température ambiante ou lorsqu'il est chauffé avec un séchoir à cheveux ou une autre source de chaleur similaire.

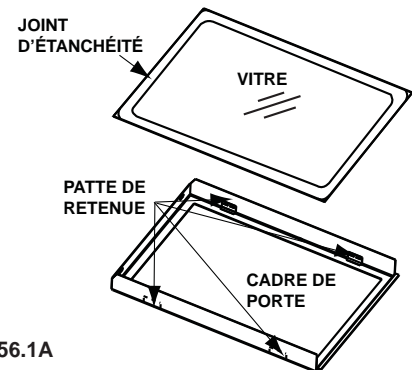
6.1

FR

## 8.3 REMPLACEMENT DU VITRE DE LA PORTE

<b>! AVERTISSEMENT</b>
<b>N'UTILISEZ PAS DE MATÉRIAUX DE SUBSTITUTION.</b>
<b>LA VITRE PEUT ÊTRE CHAUDE, NE TOUCHEZ PAS LA VITRE JUSQU'À CE QU'ELLE AIT REFROIDI.</b>
<b>USEZ DE PRUDENCE LORSQUE VOUS ENLEVEZ ET JETEZ DES DÉBRIS DE VERRE OU DES COMPOSANTS ENDOMMAGÉS. ASSUREZ-VOUS D'ASPIRER TOUS LES DÉBRIS DE VERRE À L'INTÉRIEUR DE L'APPAREIL AVANT DE LE FAIRE FONCTIONNER.</b>
<b>NE FRAPPEZ PAS, NE CLAQUEZ PAS ET N'ÉGRATIGNEZ PAS LA PORTE VITRÉE. NE FAITES PAS FONCTIONNER L'APPAREIL LORSQUE LA PORTE VITRÉE EST ENLEVÉE, FISSURÉE, BRISÉE OU ÉGRATIGNÉE.</b>

- A. Placez le cadre de la porte avec la devanture vers le bas en prenant soin de ne pas égratigner la peinture. Voir la section « ENLÈVEMENT ET INSTALLATION DE LA PORTE ».
- B. Centrez la vitre avec joint d'étanchéité dans le cadre avec le côté épais du joint d'étanchéité orienté vers le haut.
- C. Pliez les pattes de retenue situées sur le cadre par-dessus le joint d'étanchéité pour retenir la vitre en place. Faites attention à ne pas casser la vitre.



56.1A

**REMARQUE:** Usez de prudence lorsque vous enlevez et jetez des débris de verre ou des composants endommagés. Assurez-vous d'aspirer tous les débris de verre à l'intérieur de l'appareil avant de le faire fonctionner.

## 8.6 ENLÈVEMENT DU BRÛLEUR

- A. Enlevez la porte vitrée, voir la section « ENLÈVEMENT ET INSTALLATION DE LA PORTE ».
- B. Retirez les bûches, voir la section « FINITIONS ».
- C. Retirez les 5 vis servant à fixer le support à bûche arrière. Soulevez le support puis retirez-le hors de l'appareil voir Figure 1.
- D. Retirez les 4 vis servant à fixer le support du brûleur avant voir Figure 2. Soulevez le support puis retirez-le hors de l'appareil.

FIGURE 1

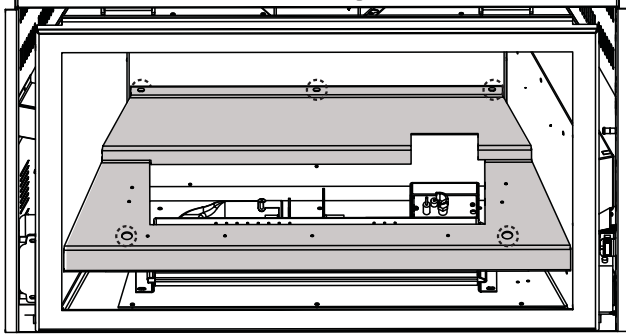
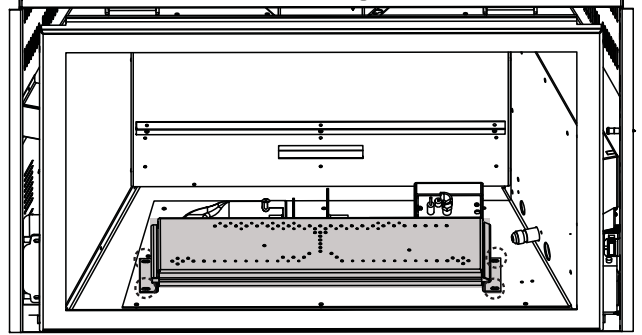
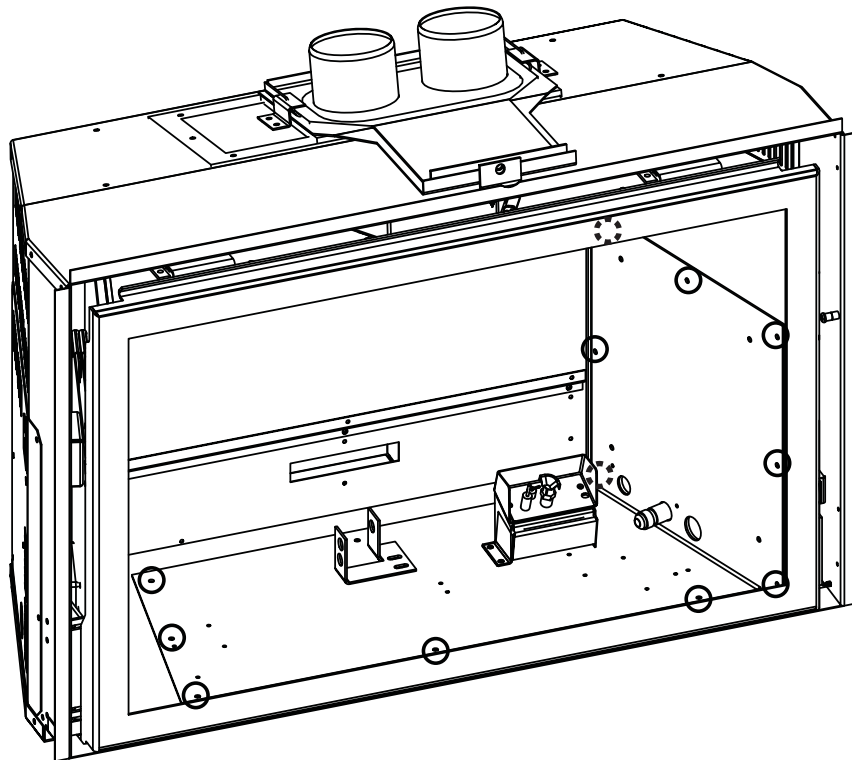


FIGURE 2



## 8.5 REMPLACEMENT DE L'ASSEMBLAGE DE LA SOUPE



- A. Retirez la porte vitrée. Voir la section « ENLÈVEMENT ET INSTALLATION DE LA PORTE ». Retirez le brûleur, voir la section « ENLÈVEMENT DU BRÛLEUR ».
- B. Retirez les 14 vis servant à fixer l'assemblage de la soupape.  
**NOTE : Il est possible qu'un nouveau joint d'étanchéité soit nécessaire lors de la réinstallation de l'assemblage de la soupape. Contactez votre détaillant local autorisé.**
- C. Soulevez l'assemblage de la soupape avec soin, suffisamment loin pour accéder à la soupape d'arrêt manuelle puis tournez-la à « OFF ». Débranchez le raccord flexible de la soupape. Garantir que tous les fils sont débranchés pour un retrait facile de l'assemblage de la soupape, vous pouvez maintenant retirer l'assemblage de la soupape de l'appareil.

## 9.0 RECHANGES

Contactez votre détaillant ou le fabricant pour les questions concernant les prix et la disponibilité des pièces de rechange. Normalement, toutes les pièces peuvent être commandées chez votre détaillant autorisé.  
**POUR UN REMPLACEMENT DE PIÈCE SOUS GARANTIE, UNE PHOTOCOPIE DE LA FACTURE ORIGINALE SERA REQUISE AFIN DE POUVOIR HONORER LA DEMANDE.**

Lorsque vous commandez des pièces, donnez toujours l'information suivante :

- Modèle et numéro de série de l'appareil
- Date d'installation de l'appareil
- Numéro de la pièce
- Description de la pièce
- Fini

**\* IDENTIFIE LES ARTICLES QUI NE SONT PAS ILLUSTRÉS. POUR PLUS D'INFORMATION, CONTACTEZ VOTRE DÉTAILLANT AUTORISÉ.**



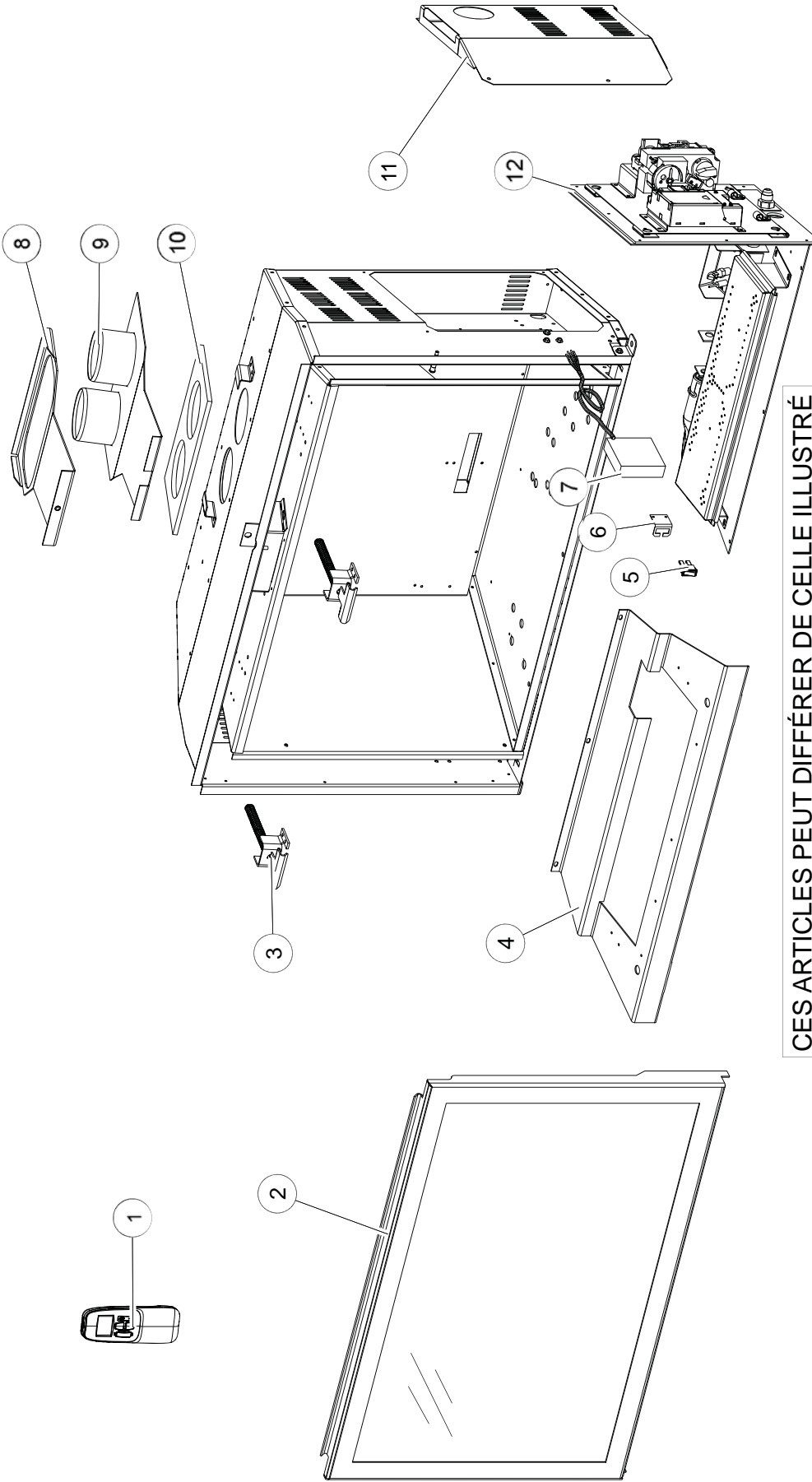
### AVERTISSEMENT

**OMETTRE DE POSITIONNER LES PIÈCES CONFORMÉMENT AU MANUEL OU D'UTILISER UNIQUEMENT DES PIÈCES SPÉCIFIQUEMENT APPROUVÉES POUR CET APPAREIL PEUT CAUSER DES DOMMAGES MATÉRIELS OU DES BLESSURES CORPORELLES.**

FR

41.1

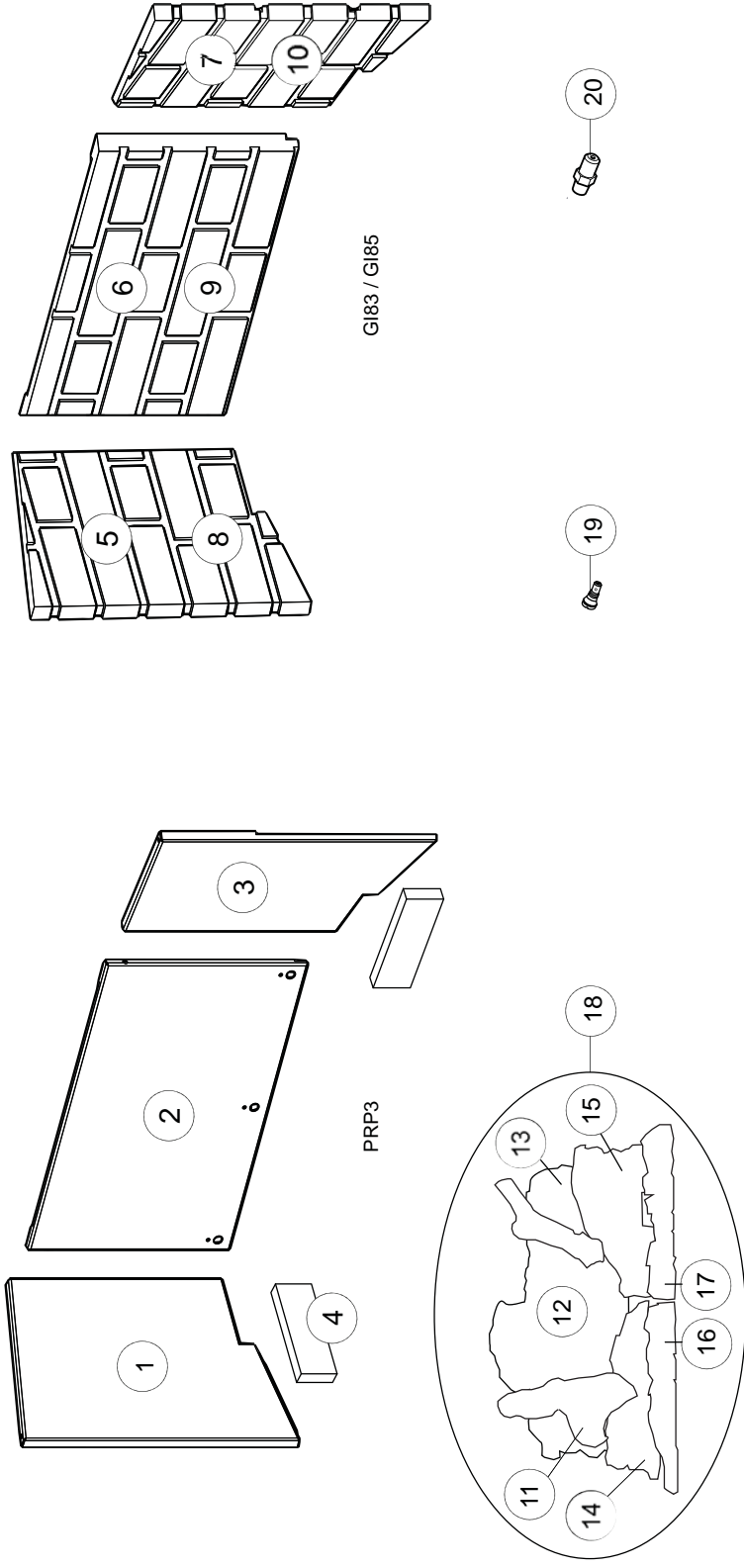
## 10.0 VUE D'ENSEMBLE



CES ARTICLES PEUT DIFFÉRER DE CELLE ILLUSTRÉ

REF. NO.	PART NUMBER	DESCRIPTION
1	W660-0143	TÉLÉCOMMANDE
2	W010-2702	ASSEMBLAGE DE LA PORTE
3	W010-2623	ASSEMBLAGE DU LOQUET DE PORTE (X2)
4	W200-0381	COUVERCLE DU BRÛLEUR
5	W750-0289	COMMUTATEUR «ON/OFF»
6	W080-1315	SUPPORT DE L'INTERRUPTEUR
7	W350-0685	BOÎTIER DE BATTERIE

REF. NO.	PART NUMBER	DESCRIPTION
8	W010-2651	ASSEMBLAGE DE GLISSANT ÉVÉNEMENTS
9	W010-2628	ASSEMBLAGE PLAQUE DE MONTAGE DU ÉVÉNEMENTS
10	W290-0183	JOINT D'ÉTANCHÉITÉ DE CONNEXION ÉVÉNEMENTS
11	W475-0872	PANNEAU EXTÉRIEUR
12	W010-3032	L'ASSEMBLAGE DE LA SOUPE

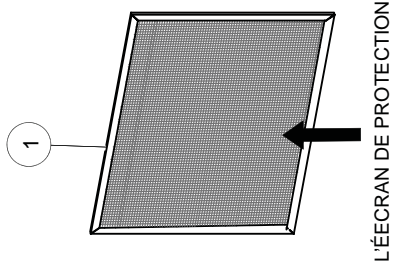


**CES ARTICLES PEUT DIFFÉRER DE CELLE ILLUSTRÉ**

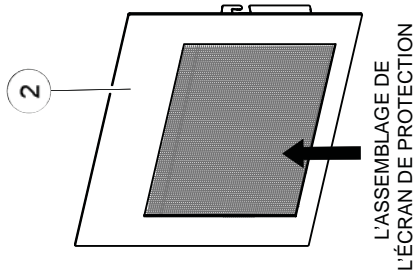
REF. #	PART #	DESCRIPTION
13	W135-0467	BÛCHE CROISÉ DROITE
14	W135-0466	BÛCHE DU CÔTÉ GAUCHE D'AVANT
15	W135-0465	BÛCHE DU CÔTÉ DROITE D'AVANT
16	W135-0471	BÛCHE DE CHARBON CÔTÉ GAUCHE
17	W135-0469	BÛCHE DE CHARBON CÔTÉ DROITE
18	GL-676	ENSEMBLE DE BÛCHES
19	W530-0037	VIS DE TAUX MIN.
20	W456-0055	#55 INJECTEUR (CONVERSION PL)
21*	GI83	PANNEAU DE BRIQUE DU NEWPORT
22*	GI85	PANNEAU DE BRIQUE DU ANGLAIS
23*	PRP3	PANNEAUX REFLECTEUR RADIANTS EN PORCELAIN

REF. #	PART #	DESCRIPTION
1	W500-0615	PANNEAU DE PORCELAIN DU CÔTÉ GAUCHE
2	W500-0617	PANNEAU DE PORCELAIN DE L'ARRIÈRE
3	W500-0616	PANNEAU DE PORCELAIN DU CÔTÉ DROITE
4	W500-0616	PANNEAU DU CÔTÉ CERAMIQUE (X2) (PRP3)
5	W475-0797	NEWPORT PANNEAU DE BRIQUE DU CÔTÉ GAUCHE (GI83)
6	W475-0799	NEWPORT PANNEAU DE BRIQUE DE L'ARRIÈRE (GI83)
7	W475-0798	NEWPORT PANNEAU DE BRIQUE DU CÔTÉ DROITE (GI83)
8	W475-0815	ANGLAIS PANNEAU DE BRIQUE DU CÔTÉ GAUCHE (GI85)
9	W475-0813	ANGLAIS PANNEAU DE BRIQUE DE L'ARRIÈRE (GI85)
10	W475-0814	ANGLAIS PANNEAU DE BRIQUE DU CÔTÉ DROITE (GI85)
11	W135-0468	BÛCHE CROISÉ GAUCHE
12	W135-0470	BÛCHE DE L'ARRIÈRE

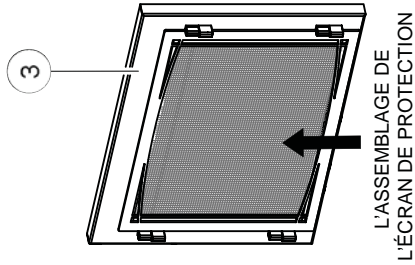
## 11.0 ACCESSORIES



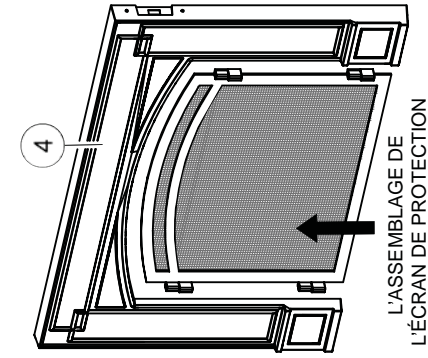
L'ÉCRAN DE PROTECTION



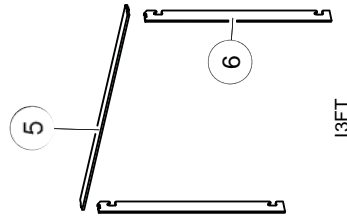
L'ASSEMBLAGE DE L'ÉCRAN DE PROTECTION



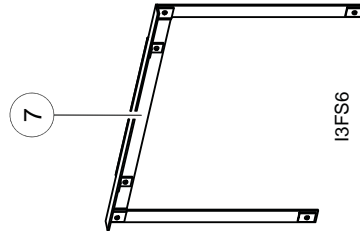
L'ASSEMBLAGE DE L'ÉCRAN DE PROTECTION



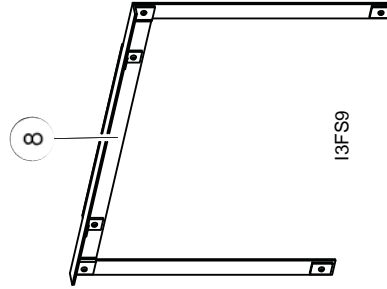
L'ASSEMBLAGE DE L'ÉCRAN DE PROTECTION



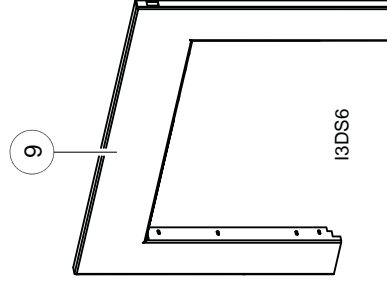
I3FT



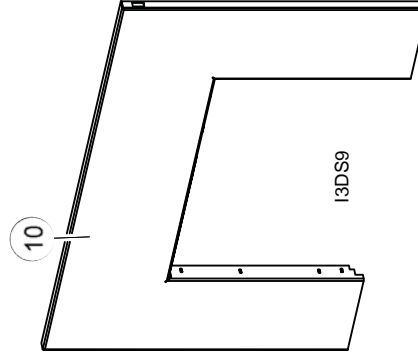
I3FS6



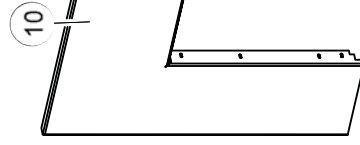
I3FS9



I3DS6



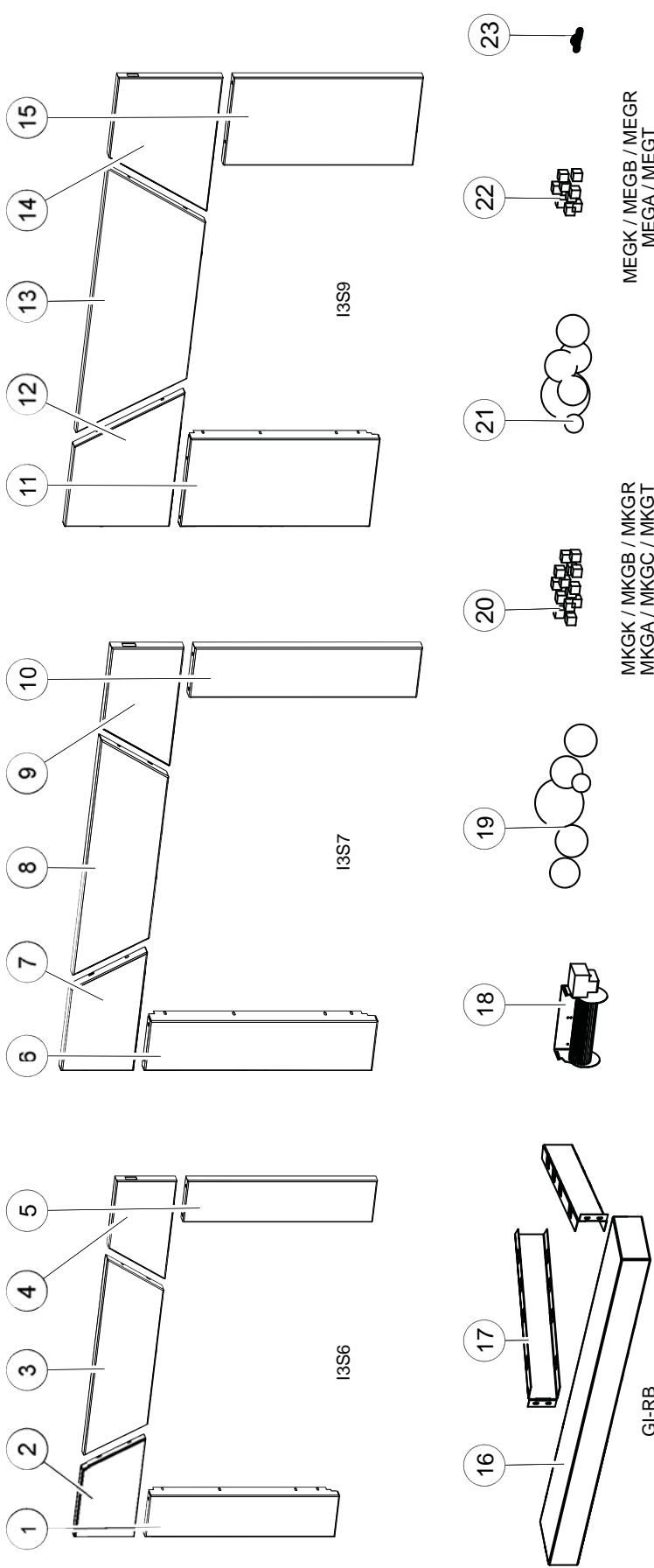
I3DS9



CES ARTICLES PEUT DIFFÉRER DE CELLE ILLUSTRÉ

REF. #	PART #	DESCRIPTION
1	W010-0133	L'ÉCRAN DE PROTECTION
2	I3CRFSB (K/SS/MK/WI)	AVANT RECTANGULAIRE CONTEMPORAIN
3	I3DZSB (K/SS/MK/WI)	PORTE DU ZEN
4	C13SSB	CONTOUR EN FONTE
5	W715-0908	GARNITURE SUPÉRIEURE (I3FT)
6	W715-0909	GARNITURE DU CÔTÉ (I3FT) (X2)

REF. #	PART #	DESCRIPTION
7	I3FS6	CADRE DE PORTE EN PETITE
8	I3FS9	CADRE DE PORTE EN GRANDE
9	W715-0891	MOULURE POUR FAÇADE (I3DS6)
10	W715-0905	MOULURE POUR FAÇADE GRANDE (I3DS9)

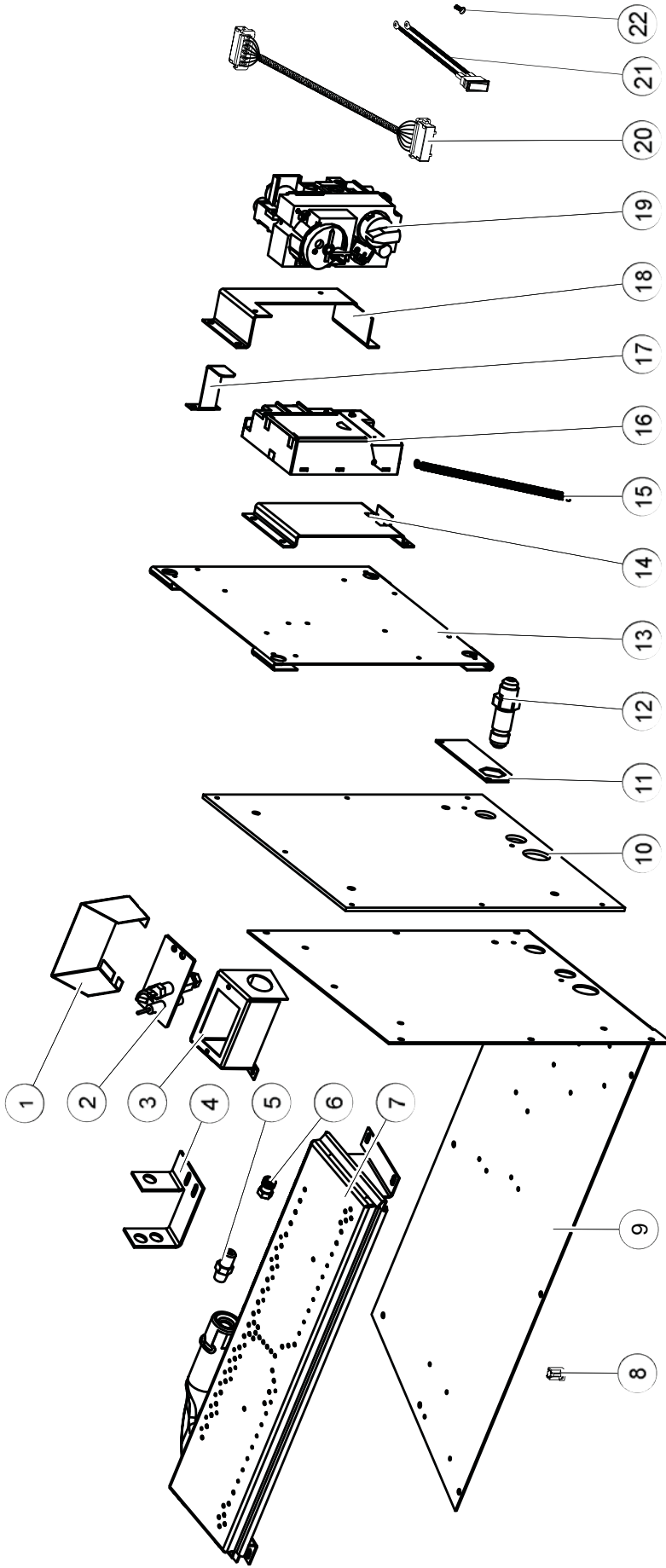


**CES ARTICLES PEUT DIFFÉRER DE CELLE ILLUSTRÉ**

REF. NO	PART #	DESCRIPTION
14	W263-0123	CONTOUR, PIÈCE SUPÉRIEURE DROITE (I3S7)
15	W263-0122	CONTOUR, PIÈCE INFÉRIEURE DROITE (I3S7)
16	W715-0561	BASE D'ÉLÉVATION (GI-RB)
17	W525-0022	RAILS (GI-RB) (X2)
18	I3BK	SOUFFLERIE
19	MKRY / MKRM	ENSEMBLE DÉCORATIF DES ROCHES
20	GLASS MEDIA	ENSEMBLE DÉCORATIF (DIVERSES COULEURS)
21	MKRY'3	ENSEMBLE DÉCORATIF DES ROCHES (GRIS)
22	GLASS MEDIA	ENSEMBLE DÉCORATIF (DIVERSES COULEURS)
23	W385-0334	LOGO NAPOLEON

REF. NO	PART #	DESCRIPTION
1	W263-0121	CONTOUR, PIÈCE INFÉRIEURE GAUCHE (I3S6)
2	W263-0120	CONTOUR, PIÈCE SUPÉRIEURE GAUCHE (I3S6)
3	W263-0119	CONTOUR, PIÈCE CENTRALE (I3S6)
4	W263-0118	CONTOUR, PIÈCE SUPÉRIEURE DROITE (I3S6)
5	W263-0117	CONTOUR, PIÈCE INFÉRIEURE DROITE (I3S6)
6	W263-0172	CONTOUR, PIÈCE INFÉRIEURE GAUCHE (I3S7)
7	W263-0169	CONTOUR, PIÈCE SUPÉRIEURE GAUCHE (I3S7)
8	W263-0170	CONTOUR, PIÈCE CENTRALE (I3S7)
9	W263-0168	CONTOUR, PIÈCE SUPÉRIEURE DROITE (I3S7)
10	W263-0171	CONTOUR, PIÈCE INFÉRIEURE DROITE (I3S7)
11	W263-0126	GAUCHE INFÉRIEUR DE SOLIN (I3S9)
12	W263-0125	CONTOUR, PIÈCE SUPÉRIEURE GAUCHE (I3S9)
13	W263-0124	CONTOUR, PIÈCE SUPÉRIEURE CENTRALE (I3S9)

## 12.0 L'ASSEMBLAGE DE LA SOUPE



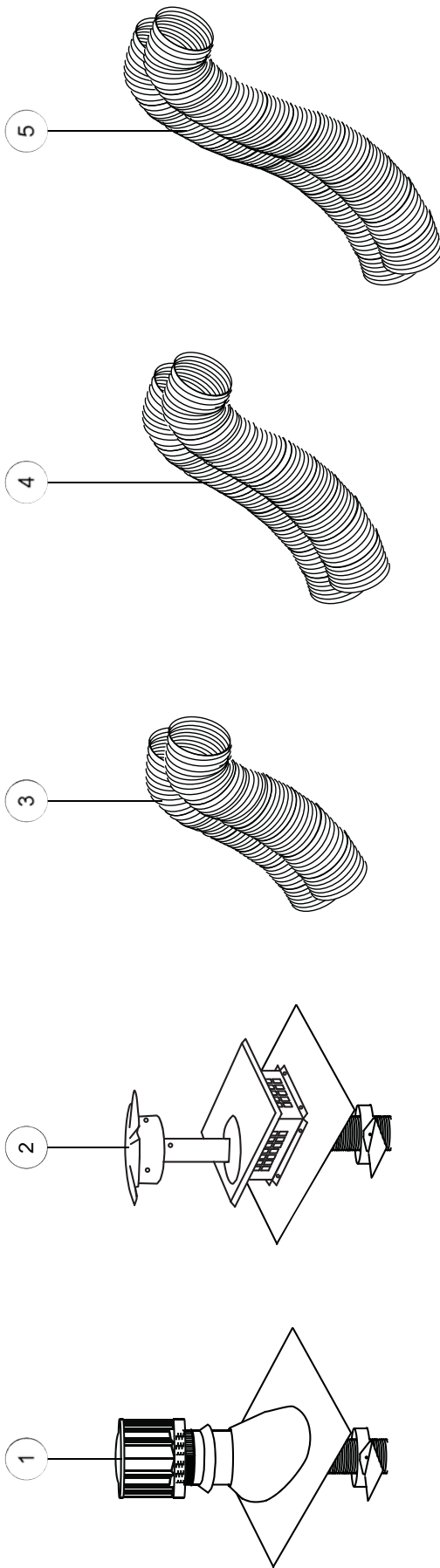
CES ARTICLES PEUT DIFFÉRER DE CELLE ILLUSTRÉ

REF. #	PART #	PART DESCRIPTION
1	W585-0796	BOULIER DU VEILLEUSE
2	W010-3031	ASSEMBLAGE DE VEILLEUSE
3	W080-1313	SUPPORT DE VEILLEUSE
4	W080-1189	SUPPORT DE INJECTEUR
5	W456-0042	INJECTEUR DE VEILLEUSE #42 (GN)
5	W456-0054	INJECTEUR DE VEILLEUSE #54 (PL)
6	W255-0039	RACCORD POUR TUYAU 3/8"
7	W100-0133	PLATEAU DE BRÛLEUR
8	W670-0015	BLOC DE INTERRUPTEUR
9	W710-0050	PLATEAU DE BRÛLEUR
10	W290-0180	JOINT D'ÉTANCHÉITÉ DU PLATEAU DE BRÛLEUR
11	W500-0610	PLAQUE DE FIXATION

REF. #	PART #	PART DESCRIPTION
12	N255-0002	RACCORDS
13	W585-0801	PROTECTEUR DE CHALEUR
14	W655-0471	SUPPORT DE RÉCEPTEUR
15	W750-0288	FIL DE RÉCEPTEUR
16	W660-0142	RÉCEPTEUR
17	W500-0728	RETENUE IPI
18	W655-0470	SUPPORT DU SOUPE
19	W725-0068	SOUPE
20	W750-0287	HARNAIS DE FILS (8-GOUJON)
21	W750-0289	COMMUTATEUR «ON/OFF» THERMOCOUPLE
22	W530-0036	VIS DE TAUX MIN. (GN)
22	W530-0037	VIS DE TAUX MIN. (PL)



# 13.0 VENTILATION



CES ARTICLES PEUT DIFFÉRER DE CELLE ILLUSTRÉ

REF. #	PART #	DESCRIPTION
1	GDI-226	TERMINAISON
2	GDI-223	TERMINAISON INSÉRER
3	GDI-320KT	ENSEMBLE D'ÉVENTS 20FT
4	GDI-325KT	ENSEMBLE D'ÉVENTS 25FT
5	GDI-335KT	ENSEMBLE D'ÉVENTS 35FT

## 14.0 TROUBLESHOOTING

## ! AVERTISSEMENT

**ALLUMEZ TOUJOURS LA VEILLEUSE, QUE CE SOIT POUR LA PREMIÈRE FOIS OU LORSQUE L'APPROVISIONNEMENT EN GAZ EST ÉPUISÉ, AVEC LA PORTE VITRÉE OUVERTE OU RETIRÉE.**

**COUPEZ L'ALIMENTATION EN GAZ ET L'ALIMENTATION ÉLECTRIQUE AVANT DE PROCÉDER À L'ENTRETIEN DE L'APPAREIL.**

**L'APPAREIL PEUT ÊTRE CHAUD. N'EFFECTUEZ AUCUN ENTRETIEN JUSQU'À CE QUE L'APPAREIL SOIT REFROIDI.**

**N'UTILISEZ PAS DE NETTOYANTS ABRASIFS.**

**SYMPTÔME****PROBLÈME****SOLUTIONS**

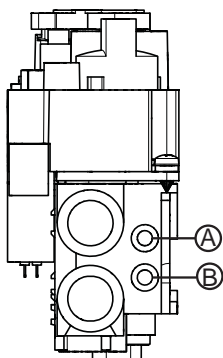
La amme du brûleur principal est bleue, paresseuse et transparente.

Système d'évacuation bloqué.

- Enlevez ce qui obstrue. Dans des conditions de froid extrême, une accumulation de glace peut se former sur la terminaison et devrait être enlevée lorsque nécessaire. Pour minimiser les chances que cela survienne de nouveau, il est recommandé que les événements qui passent à travers des espaces non chauffés (greniers, garages, espaces réduits) soient recouverts d'un manchon isolant en mylar. Assurez-vous que le manchon ne puisse pas s'affaisser. Pour plus de renseignements, contactez votre détaillant local autorisé.

Les ammes sont régulièrement trop grandes ou trop petites. Il se produit des dépôts de carbone.

La pression du gaz est trop faible ou trop forte.



- **Vérifiez la pression :** Pour vérifier la pression d'arrivée, tournez 2 ou 3 fois la vis (A) vers la gauche, puis emboîtez le tube du manomètre sur la pointe d'essai. Le manomètre doit indiquer la pression comme décrit sur le diagramme ci-dessous. Assurez-vous que le brûleur principal fonctionne à « HI ». La pression de sortie peut être vérifiée de la même façon en utilisant la vis (B). Le manomètre doit indiquer la pression comme décrit sur le diagramme ci-dessous. Assurez-vous que le brûleur principal fonctionne à « HI ». **APRÈS AVOIR PRIS LA LECTURE DES PRESSIONS, ASSUREZ-VOUS DE TOURNER FERMEMENT LES VIS VERS LA DROITE POUR SCELLER. NE SERREZ PAS TROP FORT.** Vérifiez pour des fuites en appliquant une solution d'eau savonneuse.

Pression	Gaz Naturel (pouces)	Gaz Naturel (millibars)	Propane (pouces)	Propane (millibars)
Arrivée	7" (min.4,5")	17,4 mb (min.11,2mb)	13" (min.11")	32,4 mb (min.27,4mb)
Sortie	3,5"	8,7 mb	10"	24,9 mb

Du carbone se dépose sur la vitre, les bûches, les roches, les composants décoratifs ou les parois de la chambre de combustion.

Le volet d'air est bloqué.

La flamme effleure la vitre, les bûches, les roches, les composants décoratifs ou les parois de la chambre de combustion.

- Assurez-vous que l'ouverture du volet d'air n'est pas bloquée par des bres ou autres obstructions.
- Vérifiez si la vitre, les bûches, les roches et les composants décoratifs sont positionnés correctement.
- Augmentez l'ouverture du volet d'air pour augmenter le volume d'air primaire.
- Vérifiez le débit d'alimentation : vérifiez que la pression du collecteur et la grandeur de l'injecteur soient telles que spécifiées sur la plaque d'homologation.
- Vérifiez si les joints de la porte ne sont pas brisés ni manquants et qu'ils sont étanches.
- Vérifiez que les deux conduits d'évent ne soient pas troués et qu'ils soient bien scellés à tous les joints.
- Vérifiez si l'élévation minimale par pied est conforme pour toute évacuation horizontale.

Une pellicule blanche ou grise se forme.

Le souffre du combustible se dépose sur la vitre, les bûches ou les parois de la chambre de combustion.

- Nettoyez la vitre avec un nettoyeur recommandé. **NE PAS NETTOYER LORSQU'ELLE EST CHAUDE.**
- Si vous ne nettoyez pas les dépôts régulièrement, la vitre risque de rester marquée en permanence..

Aucune étincelle après l'allumage du veilleuse. Le soupape s'éteint pendant une minute d'ignition et ne fonctionne pas.

Tension minimale du thermocouple ou résistance dans le circuit (L'interrupteur « ON/OFF », télécommande, connexions thermocouple, ou interrupteurs de température sont les composants qui pourraient entraîner une résistance).

- Mesurer la tension, il faut lire un moins 5mV. Le connecteur de bêche est située sur la surface extérieure à la côté du aiment de l'écrou. Vérifiez avec le fabricant le temps de déposer, après que le thermocouple est chauffé mesure le temps de déposer.

SYMPTÔME	PROBLÈME	SOLUTIONS
On détecte l'odeur des gaz de combustion dans la pièce; maux de tête.	L'appareil refoule les gaz de combustion dans la pièce.	<ul style="list-style-type: none"> <li>- Vérifiez tous les joints scellés de la porte.</li> <li>- Vérifiez si la cheminée ne serait pas bloquée.</li> <li>- Vérifiez que les conduits d'évents sont installés correctement.</li> <li>- La pièce est sous pression négative; augmentez l'apport d'air frais.</li> </ul>
La veilleuse ne s'allume pas. Il y a du bruit mais aucune étincelle au brûleur de la veilleuse.	Filage.	<ul style="list-style-type: none"> <li>- Vérifiez si le fil pour la sonde et le fil pour l'allumeur sont raccordés aux bonnes bornes (non inversés) sur le module et l'assemblage de la veilleuse.</li> </ul>
	Connexion desserrée.	<ul style="list-style-type: none"> <li>- Vérifiez qu'il n'y a pas de connexions desserrées, de courts-circuits dans le filage ou des contacts avec des objets métalliques.</li> </ul>
	La longueur de l'étincelle est incorrecte.	<ul style="list-style-type: none"> <li>- La longueur de l'étincelle de l'allumeur à la veilleuse devrait être de 0,125" (1/8" (3.2mm)).</li> </ul>
	Aucun signal du télécommande avec ignition du veilleuse.	<ul style="list-style-type: none"> <li>- Reprogrammer le code du récepteur.</li> <li>- Remplacer le récepteur.</li> </ul>
Aucune étincelle du veilleuse (bip continu pour 5 secondes).	L'interrupteur du soupape est à « OFF ».	<ul style="list-style-type: none"> <li>- Tourner à « ON »</li> </ul>
	Filage desserrée	<ul style="list-style-type: none"> <li>- Garantir que le filage est bien fixé.</li> </ul>
	Récepteur	<ul style="list-style-type: none"> <li>- Réinitialiser le programme: Tenir le bouton de réinitialiser sur le récepteur attendre pour 2 bips. Relâcher le bouton après la deuxième bip. Pendant 20 secondes appuyez sur le bouton de la télécommande accompagné d'une petite flamme, vous entendrez une bip additionnelle. (Cela confirmant que le code est réglé).</li> <li>- Remplacer le récepteur.</li> </ul>
	Les broches de connecteur de fils sont courbés.	<ul style="list-style-type: none"> <li>- Redresser les fils.</li> </ul>
	Filage du soupape est endommagée.	<ul style="list-style-type: none"> <li>- Remplacer le soupape.</li> </ul>
	La veilleuse produit les étincelles, ne s'allume pas.	Alimentation en gaz.
Plus de propane.		<ul style="list-style-type: none"> <li>- Remplissez le réservoir.</li> </ul>
La ligne d'alimentation du veilleuse peut contenir l'air.		<ul style="list-style-type: none"> <li>- Répétez le processus d'étincelles plusieurs fois ou purger la conduite d'alimentation du pilote.</li> </ul>
Soupape		<ul style="list-style-type: none"> <li>- Vérifiez le soupape et remplacer si nécessaire (Attention à ne pas trop serrer le thermocouple).</li> <li>- Vérifiez la mise à la terre aux soupape et serrer si détacher.</li> </ul>
Récepteur		<ul style="list-style-type: none"> <li>- Réinitialiser le programme: Tenir le bouton de réinitialiser sur le récepteur attendre pour 2 bips. Relâcher le bouton après la deuxième bip. Pendant 20 secondes appuyez sur le bouton de la télécommande accompagné d'une petite flamme, vous entendrez une bip additionnelle. (Cela confirmant que le code est réglé).</li> <li>- Remplacer le récepteur.</li> </ul>
Filage du thermocouple est incorrect.		<ul style="list-style-type: none"> <li>- Assurer le bon polarité du filage.</li> </ul>
Continue de produire des étincelles et la veilleuse s'allume, mais le brûleur principal ne s'allume pas.	Court-circuit ou connexion desserrée dans la tige de la sonde.	<ul style="list-style-type: none"> <li>- Vérifiez toutes les connexions. Vérifiez si les connexions de l'assemblage de la veilleuse sont serrées; vérifiez aussi si ces connexions ne causent pas de mise à la terre au niveau du métal.</li> </ul>
	Thermocouple ou les connexions sont endommagée.	<ul style="list-style-type: none"> <li>- Vérifiez que le thermocouple est nettpyer et le filage entre the soupape et le thermocouple n'est pas dommagée.</li> <li>- Vérifiez que le block d'interrupteur n'est pas trop serrées ou endommagée.</li> </ul>

SYMPTÔME	PROBLÈME	SOLUTIONS
L'appareil n'effectue aucune fonction.	Pas de puissance au système.	- Vérifiez que le disjoncteur est en position « ON ».
	La télécommande ne fonctionne pas.	- Vérifiez les piles ainsi que leur orientation.
Le pilote s'enflamme. Pas de flux de gaz	Le soupape ne fonctionne pas correctement.	- Le soupape est sur écoulement pilote. Tourner aux réglage élevé, appuyez deux fois sur le bouton de la télécommande accompagné d'une grande flamme. - Remplacer le soupape. Vérifiez que le thermocouple n'est pas trop serrées.
	Le bouton manuelle est en position de «MAN» .	- Tourner à la position « ON ».
Le télécommande ne fonctionne pas correctement.	Les piles du récepteur sont faibles.	- Remplacez les piles.
	Les piles du télécommande sont faibles.	- Remplacez les piles (4 AA piles).
	Erreur de synchronisation avec le télécommande et le récepteur.	- Réinitialiser le télécommande et le récepteur.
	Le télécommande est trop loin du récepteur.	- Voir la section « SCHÉMA DE CÂBLAGE ».
Le récepteur ne fonctionne pas correctement.	Les piles sont faibles/ mortes.	Remplacez les piles (récepteur et/ou télécommande).
	Le récepteur ne communique pas correctement.	- Tenir le bouton de réinitialiser sur le récepteur attendre pour 2 bips. Relâcher le bouton après la deuxième bip. Pendant 20 secondes appuyez sur le bouton de la télécommande accompagné d'une petite flamme, vous entendrez une bip additionnelle. (Cela confirmant que le code est réglé).
	Les broches de connecteur de fils sont courbés.	- Redresser les fils.
	Le câblage du récepteur est endommagé	- Remplacer le soupape.
Moteur tourne, les bips fréquent se produit.	Les piles du récepteur sont faibles.	- Remplacer les piles.

## 15.0 GARANTIE

Les produits Napoléon® sont fabriqués conformément aux normes strictes du Certificat d'Assurance de la Qualité mondialement reconnu ISO 9001 : 2008.

Les produits Napoléon® sont conçus avec des composants et des matériaux de qualité supérieure, assemblés par des artisans qualifiés qui sont fiers de leur travail. Le brûleur et le montage de la soupape subissent un test de détection de fuite et d'allumage à une station de test de qualité. Une fois assemblé, chaque appareil est soigneusement inspecté par un technicien qualifié avant d'être emballé pour garantir que vous, le client, recevez le produit de qualité dont vous vous attendez de Napoléon®.

### GARANTIE À VIE LIMITÉE DU PRÉSIDENT DES APPAREILS AU GAZ NAPOLÉON®

Les matériaux suivants et la fabrication de votre nouveau appareil au gaz Napoléon® sont garantis contre les défauts tant que vous en êtes le propriétaire. Ceci couvre : la chambre de combustion, l'échangeur de chaleur, le brûleur en acier inoxydable, les bûches PHAZER® et les braises, les roches, la vitre en céramique (cassure thermique seulement), les pièces plaquées or contre le ternissement, les composants en porcelaine émaillée et les moules d'extrusion en aluminium.\*

Les composants électriques (110V et millivolt) et les pièces soumises à l'usure tels que les souffleries, les soupapes de gaz, l'interrupteur thermique, les interrupteurs, l'installation électrique, les télécommandes, l'allumeur, les joints d'étanchéité et l'assemblage de la veilleuse sont couverts et NAPOLÉON® fournira gratuitement les pièces de rechange durant la première année de la garantie limitée.\*

Les coûts de main-d'œuvre relatifs aux réparations garanties sont couverts gratuitement durant la première année. Cependant, les travaux de réparation nécessitent l'approbation préalable d'un représentant autorisé de la compagnie. Les coûts de main-d'œuvre à la charge de Napoléon® sont basés sur un programme de tarifs prédéterminé et tout travail de réparation doit être accompli par l'entremise d'un représentant autorisé Napoléon®.

\* La fabrication de chaque modèle varie. La garantie s'applique uniquement aux composants disponibles avec votre appareil.

FR

### CONDITIONS ET LIMITATIONS

NAPOLÉON® garantit ses produits contre les défauts de fabrication à l'acheteur d'origine seulement. L'enregistrement de la garantie n'est pas nécessaire. Fournissez simplement une preuve d'achat ainsi que le modèle et le numéro de série afin d'effectuer une réclamation de garantie. Napoléon® se réserve le droit de demander à son représentant d'inspecter tous produits ou pièces avant d'honorer toute réclamation. L'achat doit avoir été fait par l'entremise d'un détaillant NAPOLÉON® autorisé et sous réserve des conditions et limitations suivantes :

La couverture de la garantie débute à partir de la date d'installation originale.

Cette garantie du fabricant n'est pas transférable et ne peut être prolongée ou étendue par aucun de nos représentants quelle qu'en soit la raison.

L'appareil au gaz doit être installé par un installateur ou entrepreneur qualifié. L'installation doit être faite conformément aux instructions d'installation incluses avec le produit et à tous les codes d'incendie et de construction locaux et nationaux.

Cette garantie limitée ne couvre pas les dommages causés par un mauvais usage, un manque d'entretien, un accident, des altérations, des abus ou de la négligence et l'installation de pièces d'autres fabricants annulera cette garantie.

Cette garantie limitée ne couvre pas non plus les égratignures, les bossellements, la corrosion ou la décoloration causés par une chaleur excessive, des produits d'entretien chimiques et abrasifs ou l'écaillage des pièces en porcelaine émaillée, le bris par manipulation des bûches PHAZER® et des braises.

NAPOLÉON® garantit à vie ses brûleurs en acier inoxydable contre les défauts de fabrication et de matériau sous réserve des conditions suivantes : durant les dix premières années, NAPOLÉON® remplacera ou réparera selon notre option les pièces défectueuses gratuitement. Après les dix premières années, NAPOLÉON® fournira les brûleurs de rechange à 50 % du prix de détail courant.

Au cours de la première année seulement, cette garantie s'applique à la réparation ou au remplacement des pièces garanties dont les matériaux ou la fabrication sont défectueux à la condition que le produit ait été utilisé conformément aux instructions de fonctionnement et dans des conditions normales.

Après la première année, concernant cette Garantie à Vie Limitée du Président, NAPOLÉON® peut, à sa discrétion, se libérer entièrement de toutes obligations en ce qui concerne cette garantie en remboursant à l'acheteur d'origine le prix de gros de toute pièce garantie qui est défectueuse.

NAPOLÉON® ne sera pas responsable de l'installation, de la main-d'œuvre ou autres dépenses relatives à la réinstallation d'une pièce garantie et de telles dépenses ne sont pas couvertes par cette garantie.

Nonobstant toutes les dispositions contenues dans cette Garantie à Vie Limitée du Président, la responsabilité de NAPOLÉON® sous cette garantie est définie comme ci-dessus et elle ne s'applique à aucun dommage accidentel, consécutif ou indirect.

Cette garantie définit l'obligation et la responsabilité de NAPOLÉON® en ce qui concerne l'appareil au gaz Napoléon®. Toute autre garantie énoncée ou implicite en ce qui concerne ce produit, ses composants ou accessoires est exclue.

NAPOLÉON® n'endosse ni n'autorise aucun tiers à assumer en son nom, toute autre responsabilité concernant la vente de ce produit. NAPOLÉON® ne sera pas responsable d'une surchauffe, des refoulements, des déversements causés par des conditions environnementales telles que des toits, des bâtiments, la proximité d'arbres, de collines, de montagnes, une ventilation ou des événements inadéquats, une configuration d'évacuation excessive, un apport d'air insuffisant ou des pressions négatives qui peuvent ou non être causés par des systèmes mécaniques tels que les ventilateurs d'évacuation, les fournaies, les sècheuses de linge, etc.

Tout dommage causé à l'appareil, à la chambre de combustion, à l'échangeur de chaleur, aux garnitures plaquées ou autres composants par l'eau, les dommages causés par les intempéries, de longues périodes d'humidité, la condensation, des produits chimiques ou produits d'entretien nuisibles ne seront pas la responsabilité de NAPOLÉON®.

Toutes les pièces remplacées en vertu de la politique de Garantie à vie limitée du Président ne peuvent faire l'objet que d'une seule réclamation.

Durant les dix premières années, NAPOLÉON® remplacera ou réparera les pièces défectueuses qui sont couvertes par la garantie à vie limitée à sa discrétion gratuitement. Après les dix premières années, NAPOLÉON® fournira les pièces de rechange à 50 % du prix de détail courant.

Toutes les pièces remplacées au titre de la garantie seront couvertes pour une période de 90 jours à partir de leur date d'installation.

Le fabricant peut exiger que les pièces défectueuses ou les produits soient retournés ou que des photos numériques soient fournies pour valider la réclamation. Les produits retournés doivent être expédiés port payé au fabricant pour une inspection en usine. Si un produit est déclaré défectueux, le fabricant le réparera ou le remplacera.

Avant d'expédier votre appareil ou les pièces défectueuses, votre détaillant doit obtenir un numéro d'autorisation. Toute marchandise expédiée à notre usine sans autorisation sera refusée et retournée à l'expéditeur.

Les coûts d'expédition ne sont pas couverts par cette garantie.

Des frais de service supplémentaires peuvent être appliqués si vous cherchez à obtenir des services au titre de la garantie auprès d'un détaillant. Les indemnités de main-d'œuvre au titre de la garantie s'appliquent uniquement pour le remplacement d'une pièce garantie. Les frais de déplacement, de tests de diagnostic, d'expédition et autres frais afférents ne sont pas couverts par cette garantie.

TOUTES LES SPÉCIFICATIONS ET LES CONCEPTIONS SONT SUJETTES À MODIFICATIONS SANS PRÉAVIS EN RAISON DES AMÉLIORATIONS CONSTANTES APPORTÉES AUX PRODUITS. NAPOLÉON® EST UNE MARQUE DE COMMERCE DÉPOSÉE DE WOLF STEEL TEE.

COMME EXIGÉ PAR LE MINISTÈRE DE L'ÉNERGIE AUX ETATS-UNIS, 10 CFR SÉPARE 430, LA GARANTIE EST VIDE SI CE PRODUIT EST UTILISÉ AVEC UN THERMOSTAT. CECI S'APPLIQUE AU PRODUIT SEULEMENT INSTALLÉ AUX ETATS-UNIS.

## 17.0 HISTORIQUE D'ENTRETIEN

FR

**Historique d'entretien Wolf Steel**  
 Cet appareil doit être entretenu annuellement selon son usage.

Date	Défaillant	Nom du technicien	Travail effectué	Problèmes particuliers



Autres produits Napoléon®



Foyers encastrés • Grils au charbon de bois • Foyers au gaz • Cascades d'eau  
Poêles à bois • Produits HVAC • Foyers électriques • Foyers extérieurs • Grils à gaz de qualité



7200, Route Transcanadienne, Montréal, Québec H4T 1A3  
24 Napoleon Road, Barrie, Ontario, Canada L4M 0G8  
214 Bayview Drive, Barrie, Ontario, Canada L4N 4Y8  
103 Miller Drive, Crittenden, Kentucky, USA 41030

Foyers / Chauffage et Climatisation / Grils composez : 514-737-6294  
napoleonproducts.com