

# FIBERGLOW™ SERIES VENT FREE GAS LOG SETS

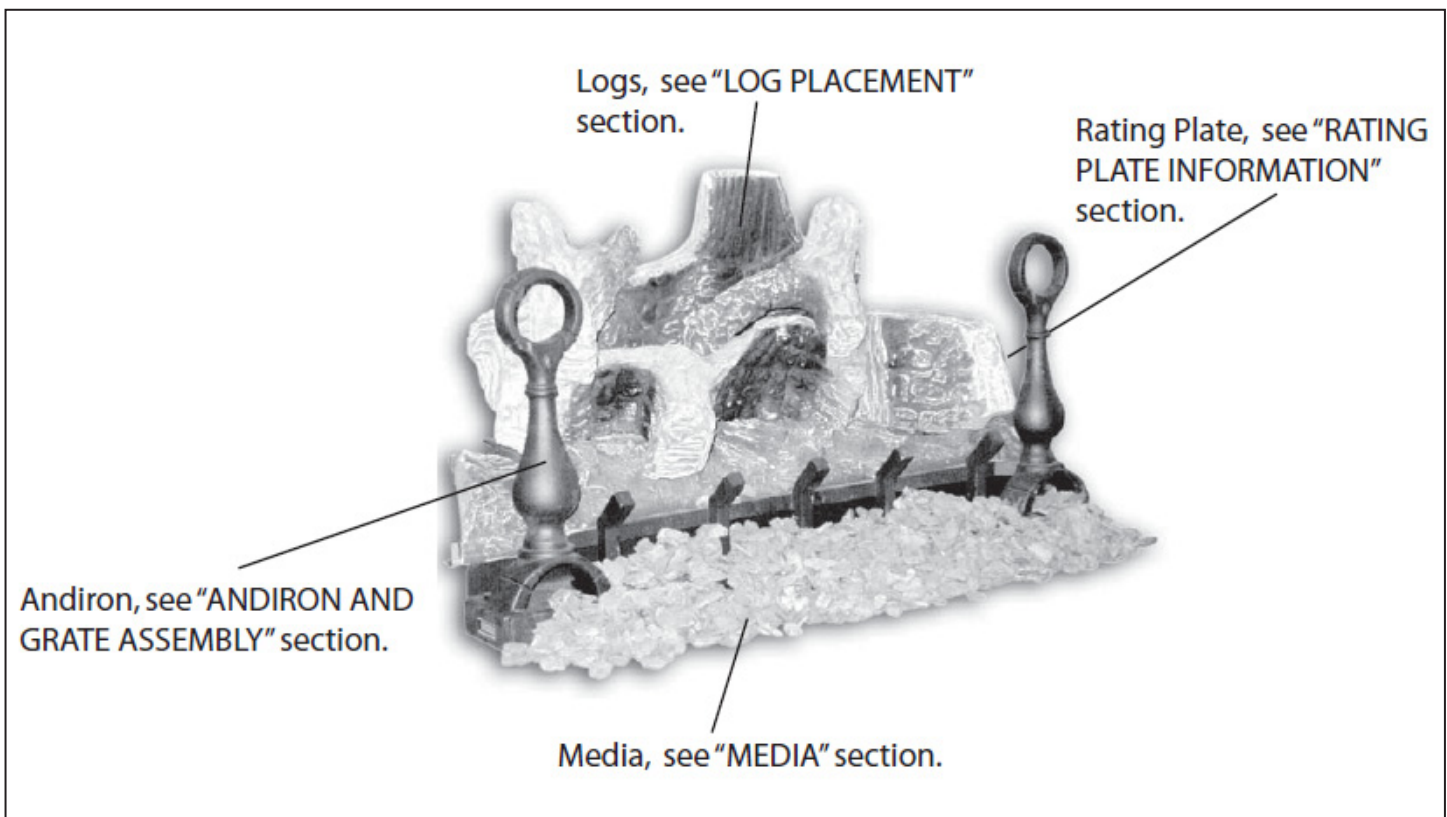
## Specifications

Model	BTU		Minimum Fireplace Cavity Size		
	NG	LP	Height	Rear Width	Depth
GVFL18	40,000	40,000	18	24	14
GVFL24	40,000	40,000	18	28	14
GVFL30	40,000	40,000	18	34	14

## Overview



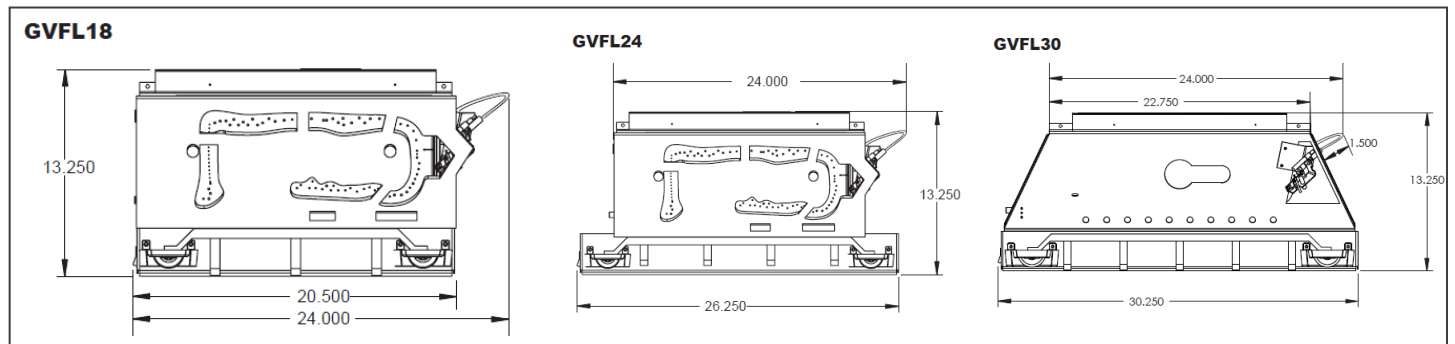
## Installation Overview



# FIBERGLOW™ SERIES VENT FREE GAS LOG SETS

## Clearances

## Dimensions



## General Information

	GVFL18		GVFL24		GVFL30	
	NG	LP	NG	LP	NG	LP
Altitude (FT)	0-4,500	0-4,500	0-4,500	0-4,500	0-4,500	0-4,500
Max input (BTU/HR)	40,000	40,000	40,000	40,000	40,000	40,000
Min Inlet Gas Supply Pressure	4.5" Water Column	11" Water Column	4.5" Water Column	11" Water Column	4.5" Water Column	11" Water Column
Max Inlet Gas Supply Pressure	7" Water Column	13" Water Column	7" Water Column	13" Water Column	7" Water Column	13" Water Column
Manifold Pressure (Under Flow Conditions)	3.5" Water Column	10" Water Column	3.5" Water Column	10" Water Column	3.5" Water Column	10" Water Column

This appliance is for installation in a solid fuel burning fireplace or listed ventless firebox enclosures only.

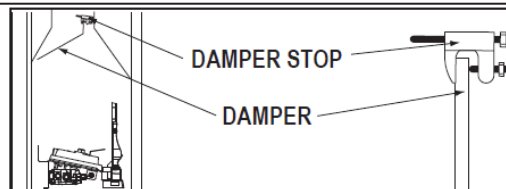
## Damper Stop Installation

The damper must be permanently locked in position to prevent full closure and to provide a minimum flue opening. Various methods for locking the damper may be used but may be restricted from region to region and it is important to know the specifics that apply to your area. For your convenience a damper stop is provided with the appliance and may be used where not prohibited by state or local codes.

Use the 3" adjustable bolt to adjust the damper to the correct opening, based on the enclosed chart.

Should the damper stop not fit, or provide the required permanent opening from the Minimum Damper Opening table, have the damper cut to provide a minimum permanent opening or install an alternate stop.

Any outside air ducts and/or ash dumps in the appliance shall be permanently closed at time of appliance installation.



MINIMUM DAMPER OPENING (SQUARE INCHES)		
CHIMNEY HEIGHT	MASONRY APPLIANCE	FACTORY BUILT APPLIANCE
6	33.8"	
8	31.2"	
10	28.7"	22.1"
15	26.1"	17.3"
20	23.7"	14.5"
25	22.7"	12.6"
30	21.6"	11.3"
35		10.8"
40		10.2"

Product information provided is not complete and is subject to change without notice. Please consult the installation manual for the most up to date installation information.