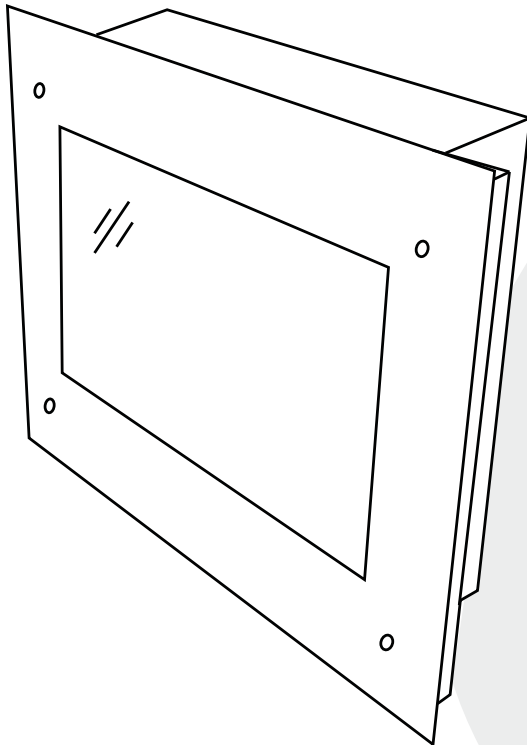


**INSTALLER: LEAVE THIS MANUAL WITH THE APPLIANCE.
 CONSUMER: RETAIN THIS MANUAL FOR FUTURE REFERENCE.
 NEVER LEAVE CHILDREN OR OTHER AT RISK INDIVIDUALS ALONE WITH THE APPLIANCE.**



INSTALLATION AND OPERATING INSTRUCTIONS

CERTIFIED UNDER CANADIAN AND AMERICAN NATIONAL STANDARDS: CSA C22.2 No-46 / UL 1278 CSA STANDARD



EF39HD ELECTRIC FIREPLACE

CERTIFIED FOR CANADA AND UNITED STATES USING ANSI/CSA METHODS.

SAFETY INFORMATION

WARNING

If the information in these instructions are not followed exactly, a fire or explosion may result causing property damage, personal injury or loss of life.

- Do not store or use gasoline or other flammable vapors and liquids in the vicinity of this or any other appliance.

WARNING

HOT GLASS WILL CAUSE BURNS.

DO NOT TOUCH GLASS UNTIL COOLED.

NEVER ALLOW CHILDREN TO TOUCH GLASS.



APPLY SERIAL NUMBER LABEL FROM CARTON

Serial No. X X X X X 0 0 0 0 0 0

MODEL NO.

TABLE OF CONTENTS

1.0	INTRODUCTION	3
1.1	DIMENSIONS	4
1.2	LISTING APPROVALS	4
1.3	GENERAL INSTRUCTIONS	5
2.0	LOCATING APPLIANCE	6
2.1	UNPACKING AND TESTING APPLIANCE	6
2.2	GROUNDING APPLIANCE	6
3.0	INSTALLATION	7
3.1	WALL MOUNT INSTALLATION	8
3.1.1	MINIMUM CLEARANCE TO COMBUSTIBLES	8
3.1.2	MINIMUM MANTEL CLEARANCES	8
3.1.3	INSTALLING THE APPLIANCE	9
4.0	FINISHING	10
4.1	GLASS EMBER INSTALLATION	10
4.2	GLASS FRONT INSTALLATION	10
5.0	OPERATING INSTRUCTIONS	11
5.1	MAIN POWER SWITCH	11
5.2	OPERATING BY REMOTE CONTROL	11
6.0	MAINTENANCE	12
6.1	REPLACING THE FLAME GENERATION LIGHT BULBS	13
6.2	REPLACING THE EMBER BED LIGHT BULBS	14
7.0	WIRING DIAGRAM	15
8.0	REPLACEMENT PARTS	16
9.0	TROUBLESHOOTING	17
10.0	WARRANTY	18
11.0	SERVICE HISTORY	19

NOTE: Changes, other than editorial, are denoted by a vertical line in the margin.

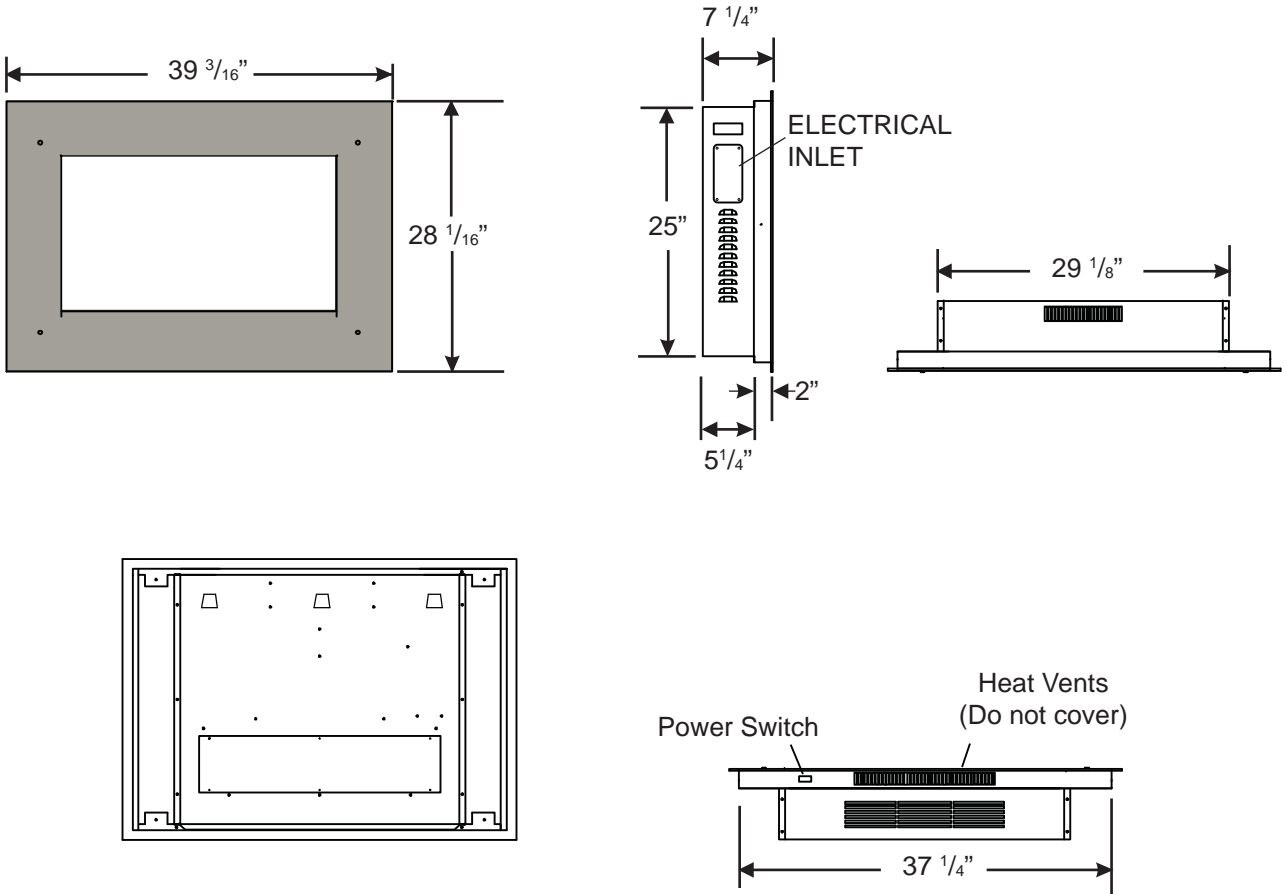
1.0 INTRODUCTION

WARNING

- **THIS APPLIANCE IS HOT WHEN OPERATED AND CAN CAUSE SEVERE BURNS IF CONTACTED.**
- Do not operate appliance before reading and understanding operating instructions. Failure to operate appliance according to operating instructions could cause fire or injury.
- Risk of burns. Power to the appliance should be turned off and the appliance allowed to cool before servicing. To disconnect power to the appliance, turn controls to off, then remove plug from outlet.
- Do not install damaged, incomplete or substitute components.
- Do not burn wood or other materials in this appliance.
- Young children should be carefully supervised when they are in the same room as the appliance. Toddlers, young children and others may be susceptible to accidental contact burns. A physical barrier is recommended if there are at risk individuals in the house. To restrict access to an appliance or stove, install an adjustable safety gate to keep toddlers, young children and other at risk individuals out of the room and away from hot surfaces.
- Clothing or other flammable material should not be placed on or near the appliance.
- Due to high temperatures, the appliance should be located out of traffic and away from furniture and draperies.
- Ensure you have incorporated adequate safety measure to protect infants/toddlers from touching hot surfaces.
- Even after the appliance is out, the glass and/or screen will remain hot for an extended period of time.
- Check with your local hearth specialty dealer for safety screens and hearth guards to protect children from hot surfaces. These screens and guards must be fastened to the floor.
- Any safety screen or guard removed for servicing must be replaced prior to operating the appliance.
- It is imperative that the control compartments, circulating blower and its passageway in the appliance and are kept clean. The appliance should be inspected before use and at least annually by a qualified service person. More frequent cleaning may be required due to excessive lint from carpeting, bedding material, etc. The appliance area must be kept clear and free from combustible materials, gasoline and other flammable vapors and liquids.
- Under no circumstances should this appliance be modified.
- Do not use this appliance if any part has been under water. Immediately call a qualified service technician to inspect the appliance and to replace any part of the control system which has been under water.
- Do not operate the appliance with the glass door removed, cracked or broken. Replacement of the glass should be done by a licensed or qualified service person.
- Do not strike or slam shut the appliance glass door.
- Keep the packaging material out of reach of children and dispose of the material in a safe manner. As with all plastic bags, these are not toys and should be kept away from children and infants.
- Servicing should be done only while the appliance is disconnected from the power supply circuit.
- Always unplug appliance when not in use.
- Do not operate this appliance with a damaged cord or plug after the appliance malfunctions, has been dropped or damaged in any manner. Return appliance to authorized service facility for examination, electrical or mechanical adjustment, or repair.
- Do not use outdoors.
- Never locate appliance where it may fall into a bathtub or other water container.
- Do not run cord under carpeting. Do not cover cord with throw rugs, runners, or the like. Arrange cord away from traffic area and where it will not be tripped over.
- Connect to properly grounded outlets only.
- Do not insert or allow foreign objects to enter any ventilation or exhaust opening as this may cause an electric shock or fire, or damage the appliance.
- To prevent a possible fire, do not block air intakes or exhaust in any manner. Do not use on soft surfaces, like a carpet, where openings may become blocked.
- Always plug appliances directly into a wall outlet/receptacle. Never use an extension cord or relocatable power tap (outlet/power strip).
- Ensure clearances to combustibles are maintained when building a mantel or shelves above the appliance. Elevated temperatures on the wall or in the air above the appliance can cause melting, discolouration or damage to decorations, a T.V. or other electronic components.

3.7C

1.1 DIMENSIONS




1.2 LISTING APPROVALS

This appliance has been tested in accordance with the CSA Standards for fixed and location-dedicated electric room appliances in the United States and Canada. If you need assistance during installation, please contact your local dealer.

NOTE: This appliance must be electrically wired and grounded in accordance with local codes or, in the absence of local codes, with National Electric Code ANSI/NFPA 70-latest edition in the United States or the Canadian Electric Code, CSA C22.1 in Canada.

Model Number	EF39HD
Description	Wall-Mount Appliance
Voltage	120V AC
Watts	Max 1500W
Amps	15 AMP Grounded Circuit
Appliance Width	$39 \frac{3}{16}$ "
Appliance Height	$28 \frac{1}{16}$ "
Appliance Depth	$7 \frac{1}{4}$ "
Net Weight	66 lbs
Gross Weight	82 lbs

1.3 GENERAL INSTRUCTIONS

 WARNING
READ THESE INSTRUCTIONS COMPLETELY BEFORE BEGINNING INSTALLATION. FAILURE TO FOLLOW THEM COULD CAUSE AN APPLIANCE MALFUNCTION RESULTING IN SERIOUS INJURY AND/OR PROPERTY DAMAGE.
ALL ELECTRIC APPLIANCES HAVE HOT AND ARCING OR SPARKING PARTS INSIDE. DO NOT USE IT IN AREAS WHERE GASOLINE, PAINT OR FLAMMABLE LIQUIDS ARE PRESENT.
THIS ELECTRIC APPLIANCE IS TESTED AND LISTED FOR USE ONLY WITH THE OPTIONAL ACCESSORIES LISTED IN THESE INSTRUCTIONS. USE OF OPTIONAL ACCESSORIES NOT SPECIFICALLY TESTED FOR THIS ELECTRIC APPLIANCE COULD VOID THE WARRANTY AND/OR RESULT IN A SAFETY HAZARD.
DO NOT OPEN. RISK OF ELECTRIC SHOCK. NO USER-SERVICEABLE PARTS INSIDE.
DO NOT USE DAMAGED ELECTRICAL CORDS.
SERVICING SHOULD BE DONE ONLY WHILE THE APPLIANCE IS DISCONNECTED FROM THE POWER SUPPLY CIRCUIT.
HIGH TEMPERATURE, RISK OF FIRE. KEEP ELECTRICAL CORDS, DRAPERY, FURNISHINGS, AND OTHER COMBUSTIBLES AT LEAST 3 FEET (0.9M) FROM THE FRONT OF THE APPLIANCE AND AWAY FROM SIDES AND REAR.
TO PREVENT ELECTRIC SHOCK MATCH THE WIDE BLADE OF PLUG TO WIDE SLOT OF RECEPTACLE AND FULLY INSERT.

- A.** Prior to plugging your appliance into an electrical outlet, verify that the house circuit breakers for the outlet are on.
- B.** The appliance may emit a slight, harmless odour when first used. This odour is normal and it is caused by the initial heating of internal appliance elements and will not occur again.
- C.** If your appliance does not emit heat, consult the operation section of this manual for further information.
- D.** Use with a CSA or UL certified surge protector.

This electric appliance meets the construction and safety standards of H.U.D. for application in manufactured homes when installed according to these instructions.

 4.8

2.0 LOCATING APPLIANCE

! WARNING
DUE TO HIGH TEMPERATURES, THIS ELECTRIC APPLIANCE SHOULD BE LOCATED OUT OF TRAFFIC. KEEP COMBUSTIBLE MATERIALS SUCH AS FURNITURE, PILLOWS, BEDDING, PAPERS, CLOTHES AND CURTAINS AT LEAST 36" FROM THE FRONT OF THE APPLIANCE.
NEVER LOCATE THIS ELECTRIC APPLIANCE WHERE IT MAY FALL INTO A BATHTUB OR OTHER WATER CONTAINER.
WEAR SAFETY GLOVES AND SAFETY GLASSES FOR PROTECTION DURING INSTALLATION AND MAINTENANCE.
TO PREVENT CONTACT WITH SAGGING OR LOOSE INSULATION, THE ELECTRIC APPLIANCE MUST NOT BE INSTALLED AGAINST VAPOR BARRIER OR EXPOSED INSULATION. LOCALIZED OVERHEATING COULD OCCUR AND A FIRE COULD RESULT.
DO NOT EXPOSE THE ELECTRIC APPLIANCE TO THE ELEMENTS (SUCH AS RAIN, ETC.)

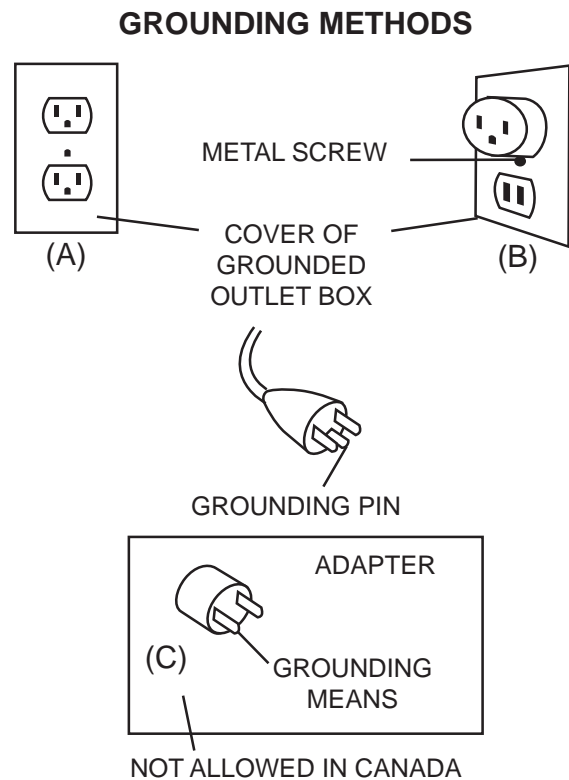
2.1 UNPACKING AND TESTING APPLIANCE

Carefully remove the appliance from the box. Prior to installing the appliance, test to make sure the appliance operates properly by plugging the power supply cord into a conveniently located 120 Volt grounded outlet.


2.2 GROUNDING APPLIANCE

This appliance is for use on 120 Volts. The cord has a plug as shown in (A). An adapter as shown in (C) is available for connecting three-blade grounding type plugs to two-slot receptacles. The green grounding lug extending from the adapter must be connected to a permanent ground such as a properly grounded outlet box. The adapter should not be used if a three-slot grounded receptacle is available.

To disconnect appliance, turn controls to off, then remove plug from outlet.



3.0 INSTALLATION

 WARNING
RISK OF FIRE! THE POWER CORD MUST NOT BE PINCHED AGAINST A SHARP EDGE. SECURE CORD TO AVOID TRIPPING OR SNAGGING TO REDUCE THE RISK OF FIRE, ELECTRIC SHOCK OR PERSONAL INJURY. DO NOT RUN CORD UNDER CARPETING. DO NOT COVER CORD WITH THROW RUGS, RUNNERS OR THE LIKE. ARRANGE CORD AWAY FROM TRAFFIC AREAS AND WHERE IT WILL NOT BE TRIPPED OVER.
RISK OF FIRE! TO PREVENT A POSSIBLE FIRE, DO NOT BLOCK AIR INTAKE OR EXHAUST IN ANY MANNER. DO NOT USE ON SOFT SURFACES WHERE OPENINGS MAY BECOME BLOCKED.
RISK OF FIRE! DO NOT BLOW OR PLACE INSULATION AGAINST THE APPLIANCE.
THIS ELECTRIC APPLIANCE IS TESTED AND LISTED FOR USE ONLY WITH THE APPROVED OPTIONAL ACCESSORIES. USE OF OPTIONAL ACCESSORIES NOT SPECIFICALLY TESTED FOR THIS ELECTRIC APPLIANCE COULD VOID THE WARRANTY AND/OR RESULT IN A SAFETY HAZARD.
IF THE INFORMATION IN THESE INSTRUCTIONS IS NOT FOLLOWED EXACTLY, A FIRE OR EXPLOSION MAY RESULT CAUSING PROPERTY DAMAGE, PERSONAL INJURY OR DEATH. DO NOT STORE OR USE GASOLINE OR OTHER FLAMMABLE VAPORS IN THE VICINITY OF THIS OR ANY OTHER APPLIANCE.
THIS APPLIANCE IS HEAVY. IT IS HIGHLY RECOMMENDED THAT TWO PEOPLE INSTALL THIS APPLIANCE.
HEATER VENTS ON THE ELECTRIC APPLIANCE CANNOT, IN ANY WAY, BE COVERED AS IT MAY CREATE A FIRE HAZARD.

68.5

Your EF3HD is a wall-mounted appliance. Select a suitable location that is not susceptible to moisture and is away from drapes, furniture and high traffic areas. **NOTE: Follow all National and local electrical codes.**

3.1 WALL MOUNT INSTALLATION

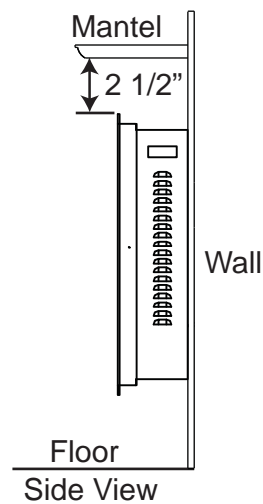
3.1.1 MINIMUM CLEARANCE TO COMBUSTIBLES

Measurements are taken from the glass front.			
Bottom	19 3/4"	Top	2 1/2" to mantel
Sides	4"	Top	4 1/2" to ceiling
Back	0"		

3.1.2 MINIMUM MANTEL CLEARANCES

! WARNING

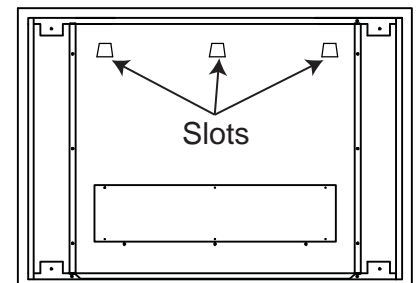
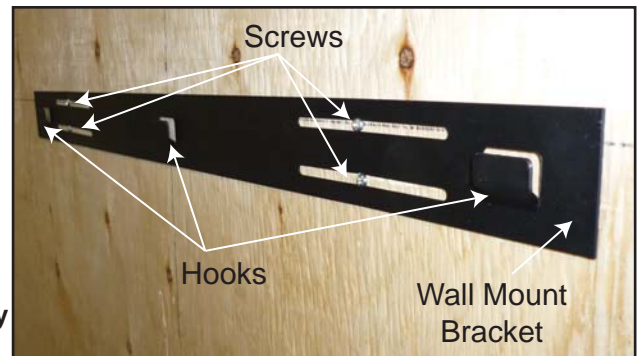
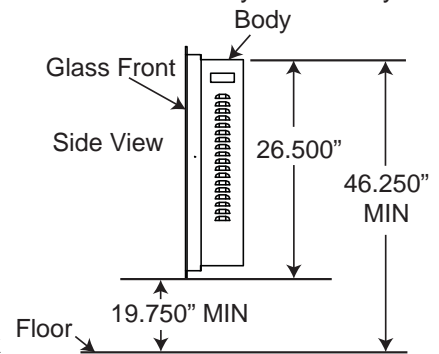
WHEN USING PAINT OR LACQUER TO FINISH THE MANTEL, THE PAINT OR LACQUER MUST BE HEAT RESISTANT TO PREVENT DISCOLOURATION.



3.1.3 INSTALLING THE APPLIANCE

Due to the many different materials used on different walls, it is highly recommended that you consult your local builder before you install this appliance on the wall.

- A. Select a location that is not prone to moisture and is located at least 36" away from combustible materials such as curtain drapes, furniture, bedding, paper, etc.
- B. Have two people hold the appliance against the wall to determine the final location.
- C. With the appliance in position and level measure from the floor to the top back edge as illustrated.
- D. The supplied wall mount bracket will be centered on the back of the appliance. This bracket has four slots and three hooks on it. The top slots will be located 1.250" down from the previously measured top back edge. The bottom slots will be 2.250" down from this edge.
- E. Mark out location, then mount the bracket onto the wall using the four supplied screws. Ensure the top slots measurement from the floor is 1.250" lower than the top back edge measured earlier. This bracket **MUST** have the hooks facing upward and be level. **NOTE: It is strongly recommended that the mounting bracket be screwed into the wall studs where possible. If the wall studs cannot be used, ensure that the supplied plastic anchors are used to affix the bracket to the wall and the bracket is adequately secured.**
- F. With the wall mounting bracket installed have two people lift the appliance up and insert the three hooks on the bracket into the three slots on the back of the appliance.
- G. Check the appliance for stability ensuring that the bracket will not pull free from the wall, causing the appliance to fall.



Back View

4.0 FINISHING

! WARNING

POWER SUPPLY SERVICE MUST BE COMPLETED PRIOR TO FINISHING TO AVOID RECONSTRUCTION.

HEAT VENTS AND AIR OPENINGS CANNOT BE COVERED IN ANY CIRCUMSTANCES.

4.1 GLASS EMBER INSTALLATION

Glass front must be removed and the appliance must be mounted in its final location before the glass embers are installed.

Glass embers may have sharp edges, wear safety glasses and gloves when handling.

- A. **CLEAN GLASS MEDIA:** Glass media may have a fine oil residue that needs to be cleaned prior to installation. Clean the glass with mild dish soap, drain, rinse thoroughly and dry before placing into the tray.
- B. Carefully place glass embers into the bottom tray on the front of the appliance as illustrated.
- C. Apply an even layer of glass embers. Clean up any fallen pieces and install glass front.



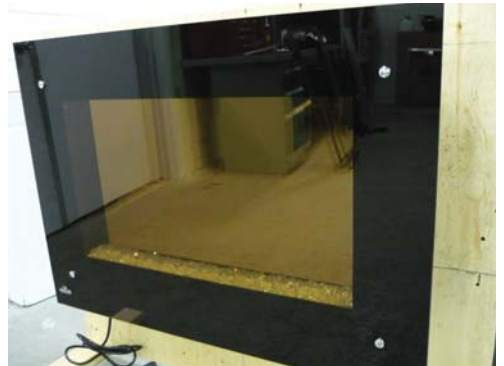
4.2 GLASS FRONT INSTALLATION

! WARNING

DO NOT OVER TIGHTEN THE BOLTS. OVER TIGHTENING THE BOLTS MAY RESULT IN GLASS BREAKAGE.

It is recommended that two people install this glass front onto the appliance, Wear safety glasses and gloves when handling glass.

- A. Hold up the glass front onto the appliance (logo side out).
- B. Line up the four holes in the glass with the four threaded holes in the appliance.
- C. Use the four supplied bolts with the supplied washers. Insert the bolts through the glass front and into the threaded holes, and finger tighten as illustrated.



5.0 OPERATING INSTRUCTIONS

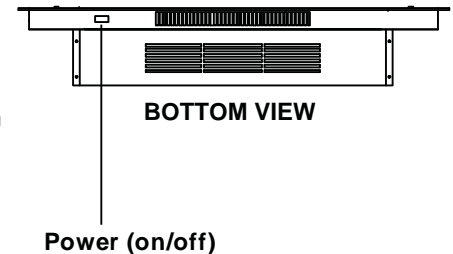
Once the appliance has been plugged into a grounded electrical outlet, it is ready to operate.

NOTE: Ensure the house circuit breakers for the power supply are turned on. In the event of a power failure, when the main power switch is in the "I" ON position and the hand held remote control is in the OFF position, the flame generation lights will come on at the high setting.

5.1 MAIN POWER SWITCH



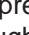





The Main Power Switch is located on the bottom of the appliance as illustrated.

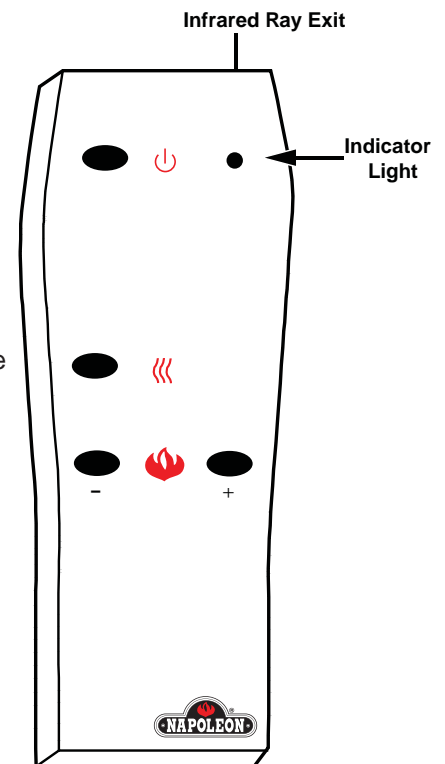
The "I" indicates ON and "O" indicates OFF. Push the switch to "I" to turn on the appliance and the flame effect.



5.2 OPERATING BY REMOTE CONTROL

NOTE: Make certain the batteries are installed correctly and are new.

- A. Plug in your electric appliance.
- B. Make certain the appliance's Main Power Switch is at the ON position! The remote control will NOT work if the Main Power Switch is at the OFF position.
- C. When operating the remote control, it must be directed towards the front center of the appliance.
- D. The  button at the top left of the remote can be used to power up or down the appliance (the main power switch on the appliance must be in the ON position for the remote to operate). Pressing this button activates the power to the appliance.
- E. To activate the heater, press the  button. Press and release the  button to cycle through LO, MED, HI and OFF.
- F. To adjust the flame height and ember bed brightness, press the " +" or " -" buttons. To increase the flame height and ember bed brightness, press the " +" button, to decrease the flame height and ember bed brightness, press the " -" button. There are seven levels of flame effects.
- G. To turn off the appliance, press the button  once. **NOTE:** This remote control must remain within 8 meters or 26 feet of the appliance to be effective and this range may be reduced as the battery power is depleted.



6.0 MAINTENANCE

! WARNING

PREPARATION FOR MAINTENANCE

ALWAYS DISCONNECT THE POWER AND ALLOW THE ELECTRIC APPLIANCE TO COOL BEFORE PERFORMING ANY CLEANING, MAINTENANCE OR RELOCATION OF THIS ELECTRIC APPLIANCE. TURN CONTROLS TO OFF AND REMOVE PLUG FROM OUTLET OR TURN OFF THE HOUSE CIRCUIT BREAKER TO ELECTRIC APPLIANCE RECEPTACLE.

DO NOT INSTALL REPLACEMENT BULBS THAT EXCEED SPECIFIED MAXIMUM WATTS.

THE HALOGEN LIGHT BULBS IN YOUR APPLIANCE CAN BECOME EXTREMELY HOT. ALLOW AT LEAST 10 MINUTES BETWEEN TURNING OFF THE APPLIANCE AND REMOVING THE LIGHT BULBS TO AVOID ACCIDENTAL BURNS.

DO NOT HANDLE THE LAMP (BULBS) WITH BARE FINGERS, OILS FROM YOUR SKIN WILL DAMAGE THE BULBS WHEN THEY HEAT UP. USE GLOVES OR A CLEAN DRY CLOTH WHEN HANDLING BULBS.

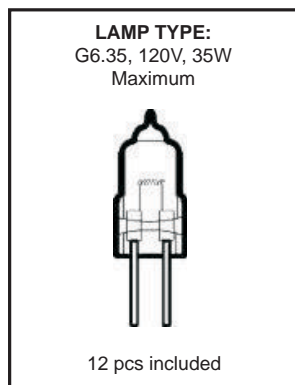
Turn off electric appliance or the house circuit breaker to the appliance before performing any cleaning and/or maintenance. Allow electric appliance to cool completely.

Most halogen light bulbs are rated to last approximately 1800 hours. Like all light bulbs, halogen bulbs require periodic replacement. When the bulbs in your appliance have burned out you will notice one or more of following:

COMMON OBSERVED PROBLEMS:

- There is no flame
- Flame or Ember bed is dim or dark in certain areas
- Flame is not moving or glowing

Your appliance must be opened in order to replace the light bulbs. To reduce the number of times you need to open the appliance, replace all bulbs at the same time if they are close to the end of their rated life.



There are a total of 12 halogen light bulbs (Type G6.35, rated 120Volts, 35Watts) included with your appliance:

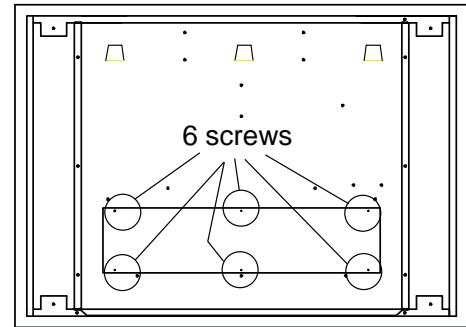
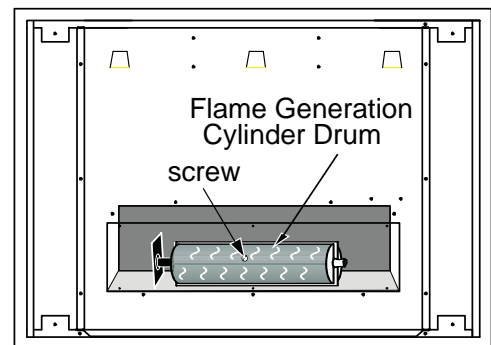
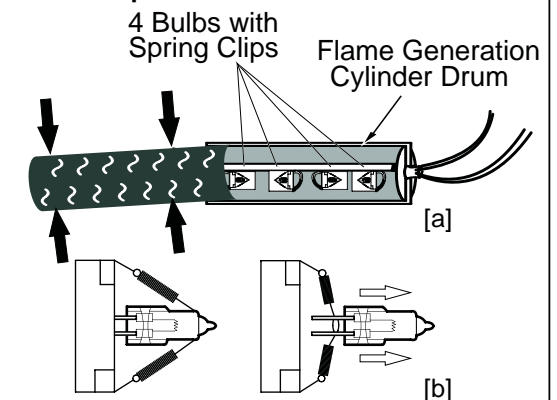
- 2 bulbs provide illumination for the ember bed
- 4 bulbs provide illumination for flame generation
- 6 extra bulbs for replacement

6.1 REPLACING THE FLAME GENERATION LIGHT BULBS

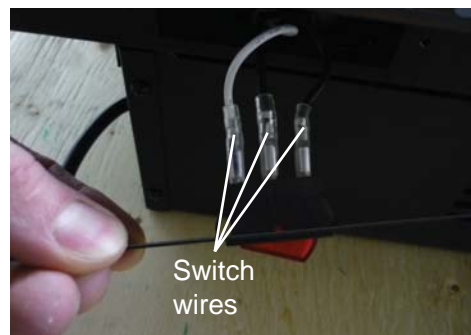
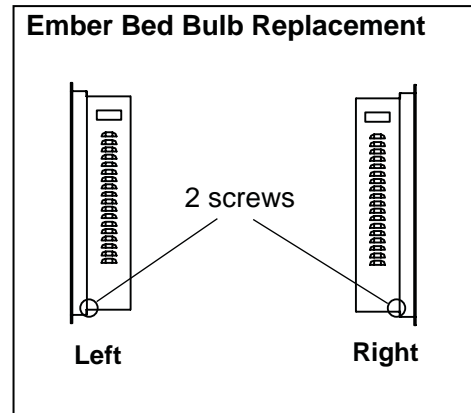
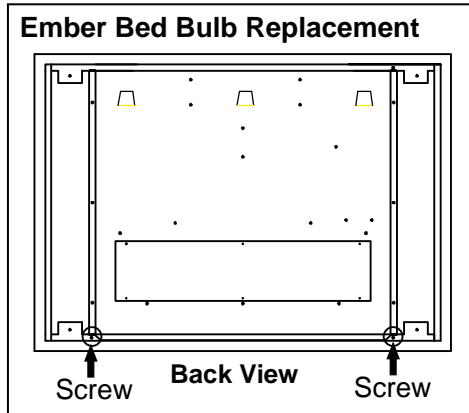
! WARNING

REMOVE THE APPLIANCE FROM THE WALL AND TURN OFF ELECTRICAL POWER BEFORE SERVICING THE APPLIANCE.

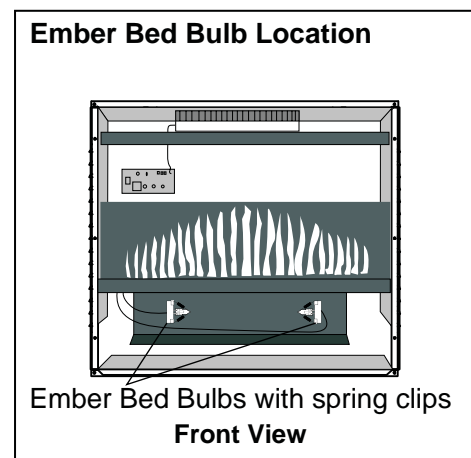
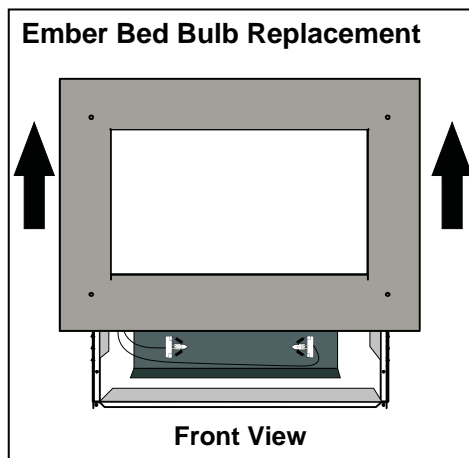
- A. Remove the 6 screws on the back plate of the appliance near the bottom. Open back plate from the top.
 - B. Locate the flame generation cylinder drum. It is attached to the inside of the back plate. They are 2 matte black sheet metal pieces with holes in them, either of which can be removed from the appliance.
 - C. Remove the screw as illustrated, that is used to secure the flame generation cylinder drum.
 - D. Squeeze half of drum cylinder until its top edge clears the top drum track. Remove the bottom edge of the cylinder drum from the bottom drum track. This will give you access to the light bulbs.
- NOTE: Do not exert excessive pressures on the drum cylinder as this may cause damage.**
- E. Remove spring clip. Hold socket and pull out old bulb.
 - F. Hold socket and push in new bulb (DO NOT exceed wattage). Reattach spring clip.
 - G. Repeat steps 5 and 6 for the remaining bulbs if necessary.
 - H. Replace the back plate by reattaching the 6 screws that were removed from step A.

Flame Generation Bulb Location**Back View****Flame Generation Bulb Location****Back View****Drum Bulb Replacement**

6.2 REPLACING THE EMBER BED LIGHT BULBS



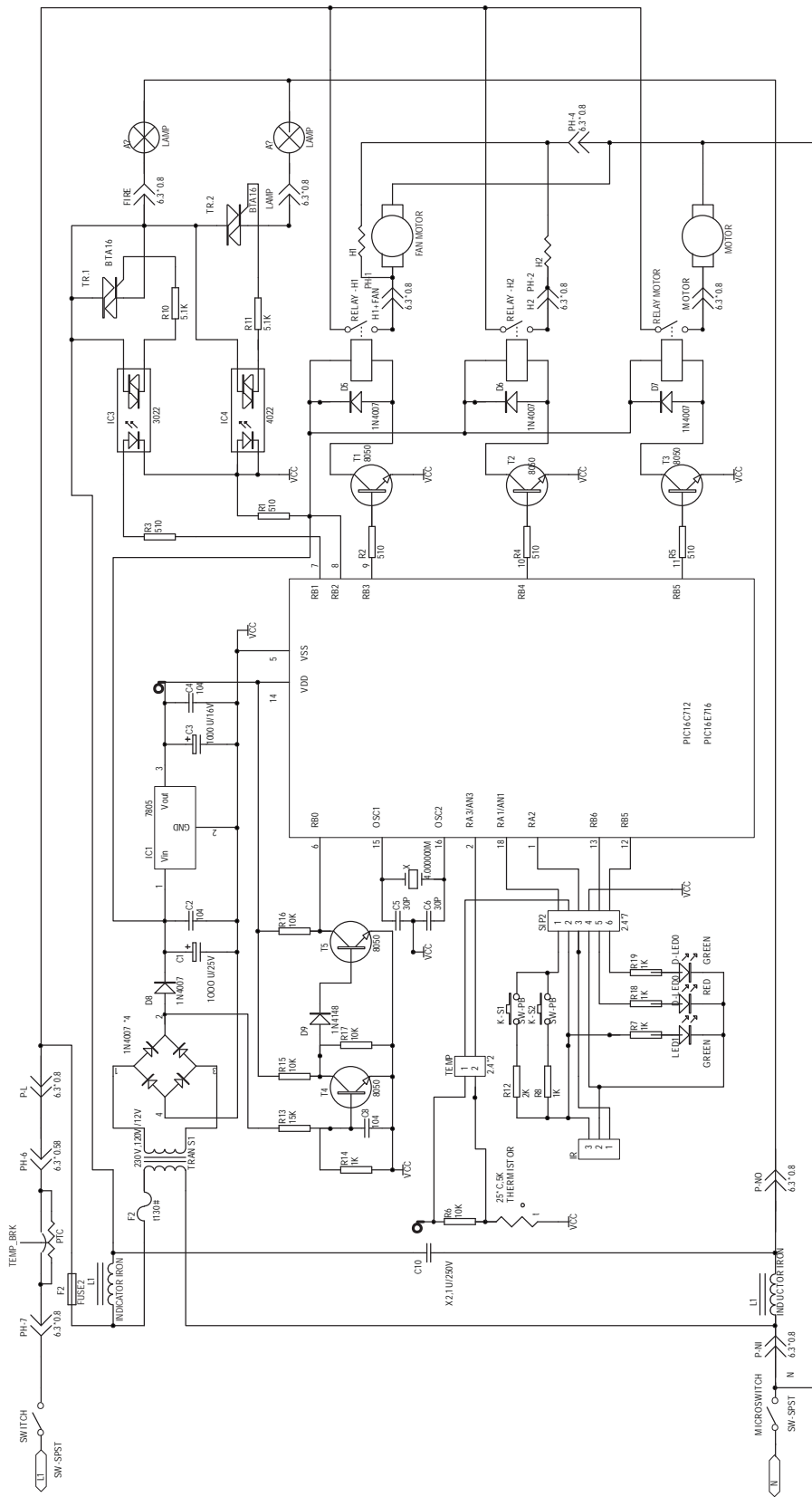
- A. Remove the 2 screws on the bottom left and right corner of the appliance behind the front panel.
- B. Remove the 2 screws holding the main power switch and pull switch down carefully. Before removing the wires we recommend labelling the 3 wires on the switch.



- C. Lift up and remove the front panel of the appliance.
- D. Locate the 2 ember bed bulbs as shown.
- E. Remove spring clip. Hold socket and pull out old bulb.
- F. Hold socket and push in new bulb (DO NOT exceed wattage). Reattach spring clip.
- G. Repeat steps 4 and 5 for the remaining bulb if necessary.
- H. Replace the front panel and the screws.
- I. Re-install the 3 wires onto the main power supply switch ensuring the wires are in the correct location.
- J. Re-install the switch with the 2 screws that were removed.

7.0 WIRING DIAGRAM

! WARNING
ENSURE ALL POWER IS TURNED OFF BEFORE HARD WIRING THIS APPLIANCE.



8.0 REPLACEMENT PARTS

Contact your dealer or the factory for questions concerning prices and policies on replacement parts. Normally all parts can be ordered through your Authorized dealer / distributor.

FOR WARRANTY REPLACEMENT PARTS, A PHOTOCOPY OF THE ORIGINAL INVOICE WILL BE REQUIRED TO HONOUR THE CLAIM.

When ordering replacement parts always give the following information:

- Model & Serial Number of appliance
- Installation date of appliance
- Part number
- Description of part
- Finish

*** IDENTIFIES ITEMS WHICH ARE NOT ILLUSTRATED. FOR FURTHER INFORMATION, CONTACT YOUR AUTHORIZED DEALER.**

! WARNING

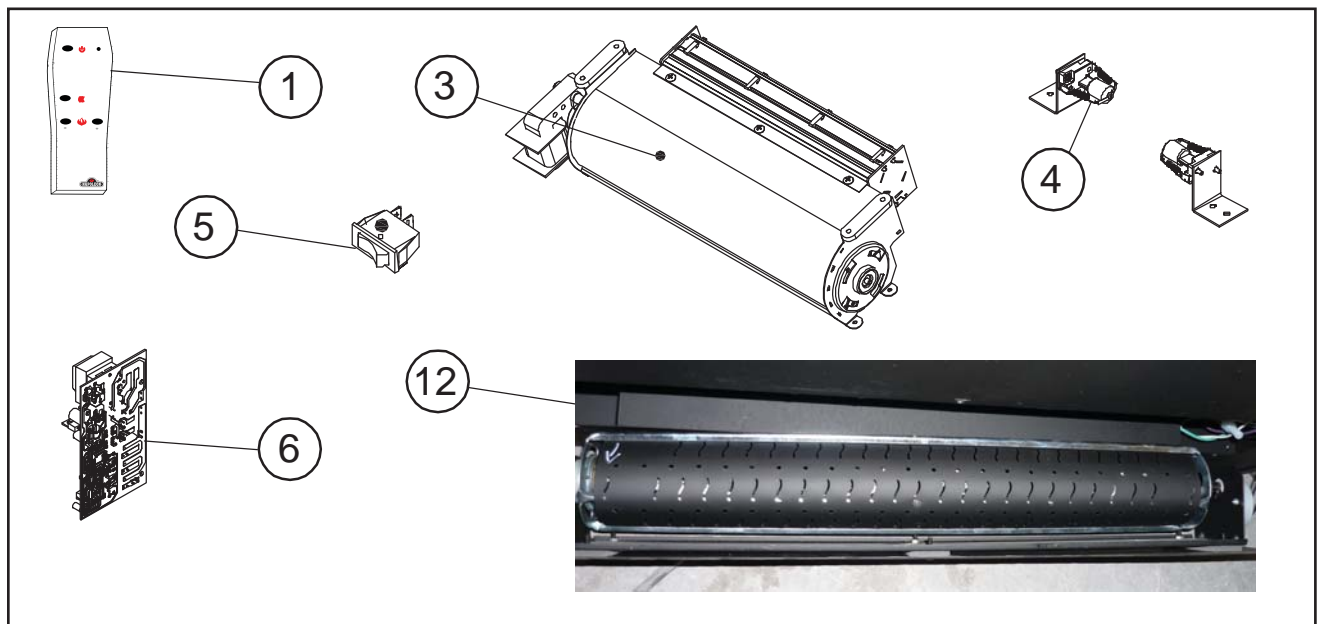
FAILURE TO POSITION THE PARTS IN ACCORDANCE WITH THIS MANUAL OR FAILURE TO USE ONLY PARTS SPECIFICALLY APPROVED WITH THIS APPLIANCE MAY RESULT IN PROPERTY DAMAGE OR PERSONAL INJURY.

41.1

For aftermarket sales and service please call 1-866-592-6667

COMPONENTS		
REF NO.	PART NO.	DESCRIPTION
1	R-21	REMOTE CONTROL TRANSMITTER
2*	DQ002-011	REMOTE RECEIVER
3	JQ-FAGETI-19	HEATER
4	DQ017-002	BULB
5	SW	SWITCH
6	DQ002-006	CIRCUIT BOARD
7*	GBL74-001-05	FRONT GLASS
8*	GBL74-001-02	GLASS TRAY
9*	GBL74-001-01	MIRROR GLASS
10*	YJF	FAN MOTOR
11*	MS 120V/20/24RPM	DRUM MOTOR
12	JQ-FGT-01	DRUM
13*	W300-0117	GLASS EMBERS
14*	W285-0004	3.0 A FUSE

NOTE: Care must be taken when removing and disposing of any broken glass or damaged components. Be sure to vacuum up any broken glass from inside the appliance before operation.



9.0 TROUBLESHOOTING

WARNING

TURN OFF THE APPLIANCE COMPLETELY AND LET COOL BEFORE SERVICING. ONLY A QUALIFIED SERVICE PERSON SHOULD SERVICE AND REPAIR THIS ELECTRIC APPLIANCE.

SYMPTOM	PROBLEM	TEST SOLUTION
Dim or no flame	Bulb(s) are burnt out	Inspect the bulbs inside the flame generation cylinder drum and replace them if necessary
Ember bed is not glowing or dimming	Bulb(s) are burnt out	Inspect the ember bed bulbs and replace them if necessary
No warm air coming out of appliance	Room temperature is higher than the appliance setting (if it is set to LO or MED)	Set appliance to a higher temperature setting (MED or HI)
Appliance turns off and will not turn on	Appliance has overheated and safety device has caused the thermal switch to disconnect	Unplug the appliance, allow appliance to cool for 15 minutes, then plug it back in
	House circuit breaker has tripped	House circuit breaker has tripped
	Appliance's fuse has blown	Replace fuse
Appliance will not come on when switch is flipped to ON	Appliance is not plugged into an electrical outlet	Check plug and plug it in
	Appliance has overheated and safety device has caused the thermal switch to disconnect	Unplug the appliance, allow appliance to cool for 15 minutes, then plug it back in
Remote control does not work	Low batteries	Replace batteries in remote control
Heater shuts off automatically	Room is too warm	The heater has a built-in thermostat so it will shut off automatically once the pre-set temperature is reached. It will also turn on automatically if the room temperature drops below the pre-set temperature

42.23A

10.0 WARRANTY

NAPOLEON® electric appliances are manufactured under the strict Standard of the world recognized ISO 9001 : 2008 Quality Assurance Certificate.

NAPOLEON® products are designed with superior components and materials, assembled by trained craftsmen who take great pride in their work. Once assembled the complete appliance is thoroughly inspected by a qualified technician before packing to ensure that you , the customer, receive the quality product that you expect from NAPOLEON®.

NAPOLEON® ELECTRIC APPLIANCE LIMITED WARRANTY

Electrical components and wearable parts such as fan/heater, motors, switches, nylon bearing components and remote controls are covered and NAPOLEON® will provide replacement parts free of charge during the first year of limited warranty. Light bulbs and fuses are NOT covered by the warranty.
Any labour related to warranty repair is not covered.
* Construction of models vary. Warranty applies only to components included with your specific appliance.

CONDITIONS AND LIMITATIONS

NAPOLEON® warrants its products against manufacturing defects to the original purchaser only. Registering your warranty is not necessary. Simply provide your proof of purchase along with the model and serial number to make a warranty claim. NAPOLEON® reserves the right to have its representative inspect any product or part thereof prior to honouring any warranty claim. Provided that the purchase was made through an authorized NAPOLEON® dealer your appliance is subject to the following conditions and limitations:

Warranty coverage begins on the date of original installation.

This factory warranty is non-transferable and may not be extended whatsoever by any of our representatives.

Installation must be done in accordance with the installation instructions included with the product and all local and national building and fire codes.

This limited warranty does not cover damages caused by misuse, lack of maintenance, accident, alterations, abuse or neglect and parts installed from other manufacturers will nullify this warranty.

This limited warranty further does not cover any scratches, dents, corrosion or discoloring caused by excessive heat, abrasive and chemical cleaners nor chipping on porcelain enamel parts, mechanical breakage of PHAZER™ logs.

In the first year only, this warranty extends to the repair or replacement of warranted parts which are defective in material or workmanship provided that the product has been operated in accordance with the operation instructions and under normal conditions.

NAPOLEON® will not be responsible for installation, labour or any other expenses related to the reinstallation of a warranted part and such expenses are not covered by this warranty. Notwithstanding any provisions contained in the Limited Warranty, NAPOLEON's responsibility under this warranty is defined as above and it shall not in any event extend to any incidental, consequential or indirect damages.

This warranty defines the obligations and liability of NAPOLEON® with respect to the NAPOLEON® electric appliance and any other warranties expressed or implied with respect to this product, its components or accessories are excluded.

NAPOLEON® neither assumes, nor authorizes any third party to assume, on its behalf, any other liabilities with respect to the sale of this product.

Any damages to appliance, brass trim or other component due to water, weather damage, long periods of dampness, condensation, damaging chemicals or cleaners will not be the responsibility of NAPOLEON®.

The bill of sale or copy will be required together with a serial number and a model number when making any warranty claims from your authorized dealer. The warranty registration card must be returned within fourteen days to register the warranty.

NAPOLEON® reserves the right to have its representative inspect any product or part thereof prior to honouring any warranty claim.

All parts replaced under the Limited Warranty Policy are subject to a single claim.

All parts replaced under the warranty will be covered for a period of 90 days from the date of their installation.

The manufacturer may require that defective parts or products be returned or that digital pictures be provided to support the claim. Returned products are to be shipped prepaid to the manufacturer for investigation. If a product is found to be defective, the manufacturer will repair or replace such defect.

Before shipping your appliance or defective components, your dealer must obtain an authorization number. Any merchandise shipped without authorization will be refused and returned to sender.

Shipping costs are not covered under this warranty.

Additional service fees may apply if you are seeking warranty service from a dealer.

ALL SPECIFICATIONS AND DESIGNS ARE SUBJECT TO CHANGE WITHOUT PRIOR NOTICE DUE TO ON-GOING PRODUCT IMPROVEMENTS.
NAPOLEON® IS A REGISTERED TRADEMARK OF WOLF STEEL LTD.

2.5B

11.0 SERVICE HISTORY

Appliance Service History

This heater must be serviced annually depending on usage.

Date	Dealer Name	Service Technician Name	Service Performed	Special Concerns

44.1

Historique d'entretien Wolf Steel

Cet appareil doit être entretenu annuellement selon son usage.

Date	Détailant	Nom du technicien	Travail effectué	Problèmes particuliers

Les foyers électriques NAPOLÉON® sont fabriqués conformément aux normes strictes du Certificat d'Assurance de Qualité mondialement reconnu ISO 9001 : 2008.

Les produits NAPOLÉON® sont conçus avec des composants et des matériaux de qualité supérieure, assemblés par des artisans qualifiés qui sont fiers de leur travail. Une fois assemblé, chaque foyer est soigneusement inspecté par un technicien qualifié avant d'être emballé pour garantir que vous, le client, recevez le produit de qualité dont vous vous attendez de NAPOLÉON®.

GARANTIE LIMITÉE DES APPAREILS ÉLECTRIQUES NAPOLÉON®

Les composants électriques et les pièces soumises à l'usure tels que la soufflerie/châuffière, les moteurs, les interrupteurs, les roulements à billes en nylon et les télécommandes sont couverts et NAPOLÉON® fournira gratuitement les pièces de rechange durant la première année de la garantie limitée. Les ampoules et les fusibles NE SONT PAS couverts par la garantie. Les coûts de main-d'œuvre relatifs aux réparations garanties ne sont pas couverts. *La fabrication de chaque modèle varie. La garantie s'applique uniquement aux composants disponibles avec votre appareil.

CONDITIONS ET LIMITATIONS

NAPOLÉON® garantit ses produits contre les défauts de fabrication à l'acheteur d'origine seulement. L'enregistrement de la garantie n'est pas nécessaire. Fournissez simplement une preuve d'achat ainsi que le modèle et le numéro de série afin d'effectuer une réclamation de garantie. Napoléon® se réserve le droit de demander à son représentant d'inspecter tous produits ou pièces avant d'honorer toute réclamation. L'achat doit avoir été fait par l'entrepreneur d'un détaillant NAPOLÉON® autorisé et sous réserve des conditions et limitations suivantes :

La couverture de la garantie débute à partir de la date d'installation originale.

Cette garantie du fabricant n'est pas transférable et ne peut être prolongée ou étendue par aucun de nos représentants quelle qu'en soit la raison.

L'installation doit être faite conformément aux instructions d'installation incluses avec le produit et à tous les codes d'incendie et de construction locaux et nationaux.

Cette garantie limitée ne couvre pas les dommages causés par un mauvais usage, un manque d'entretien, un accident, des altérations, des abus ou de la négligence, et l'installation de pièces d'autres fabricants annulera cette garantie.

Cette garantie limitée ne couvre pas non plus les égratignures, les bossellements, la corrosion ou la décoloration causée par une chaleur excessive, des produits d'entretien chimiques et abrasifs ou l'écaillage de pièces en porcelaine émaillée, le bris par manipulation des bûches Phazer®.

Au cours de la première année seulement, cette garantie s'étend à la réparation ou au remplacement des pièces garanties dont les matériaux ou la fabrication sont défectueux à la condition que le produit ait été utilisé conformément aux instructions de fonctionnement et dans des conditions normales.

NAPOLÉON® ne sera pas responsable de l'installation, de la main-d'œuvre ou autres coûts ou dépenses relatives à la réinstallation d'une pièce garantie, et de telles dépenses ne sont pas couvertes par cette garantie. Nonobstant toutes les dispositions contenues dans cette Garantie Limitée, la responsabilité de NAPOLÉON® sous cette garantie est définie comme ci-dessus et elle ne s'étendra à aucun dommage accidentel, consécutif ou indirect.

Toute garantie définie l'obligation et la responsabilité de NAPOLÉON® en ce qui concerne l'appareil électrique NAPOLÉON®. Toute autre garantie énoncée ou implicite en ce qui concerne ce produit, ses composants ou accessoires est exclue.

NAPOLÉON® n'autorise aucun tiers à assumer en son nom, toutes autres responsabilités concernant la vente de ce produit.

Tous dommages causés à l'appareil, aux garnitures en laiton ou autres composants par l'eau, les dommages causés par les intempéries, de longues périodes d'humidité, la condensation, des produits chimiques ou produits d'entretien nuisibles ne seront pas la responsabilité de NAPOLÉON®.

La facture ou sa copie sera requise ainsi que le numéro de série et le numéro de modèle lors d'une réclamation auprès de votre détaillant autorisé. La carte d'enregistrement de garantie doit être retournée dans les quatorze jours pour enregistrer la garantie.

NAPOLÉON® se réserve le droit de demander à son représentant d'inspecter tout produit ou pièce avant d'honorer toute réclamation. Toutes les pièces remplacées en vertu de la politique de Garantie limitée ne peuvent faire l'objet que d'une seule réclamation.

Le fabricant peut exiger que les pièces défectueuses ou les produits soient retournés au fabricant pour une inspection en usine. Si un produit est déclaré défectueux, le fabricant ou le remplacera.

Avant d'expédier votre appareil ou les pièces défectueuses, votre détaillant doit obtenir un numéro d'autorisation. Toute marchandise expédiée à notre usine sans autorisation sera refusée et retournée à l'expéditeur.

Les coûts d'expédition ne sont pas couverts par cette garantie.

Des frais de service supplémentaires peuvent être appliqués si vous cherchez à obtenir des services au titre de la garantie auprès d'un détaillant.

TOUTES LES SPÉCIFICATIONS ET LES CONCEPTIONS SONT SUJETTES À MODIFICATIONS SANS PRÉAVIS EN RAISON DES AMÉLIORATIONS CONSTANTES APPORTÉES AUX PRODUITS. NAPOLÉON® EST UNE MARQUE DE COMMERCE DÉPOSÉE DE

WOLF STEEL LTÉE.

9.0 GUIDE DE DÉPANNAGE

! AVERTISSEMENT

COUPEZ L'ALIMENTATION ÉLECTRIQUE À L'APPAREIL ET LAISSEZ-LE REFROIDIR AVANT D'EFFECTUER UN ENTRETIEN. SEUL UN TECHNICIEN DE SERVICE QUALIFIÉ PEUT EFFECTUER L'ENTRETIEN OU LA RÉPARATION DE CET APPAREIL.

SYMPTÔME	PROBLÈME	SOLUTIONS
La luminosité du jeu de flammes est faible ou inexistante.	La/les ampoule(s) sont brûlées.	Vérifiez les ampoules à l'intérieur du cylindre de création du jeu de flammes et remplacez-les au besoin.
Le lit de braises ne s'allume pas ou s'éteint rapidement.	La/les ampoule(s) sont brûlées.	Vérifiez les ampoules du lit de braises et remplacez-les au besoin.
L'appareil n'émet aucune chaleur.	La température ambiante est plus élevée que le réglage de l'appareil (si réglé à BAS ou MOYEN).	Régalez l'appareil à une température plus élevée (MOYEN ou ÉLEVÉ).
L'appareil s'éteint et ne se rallume pas.	L'appareil a surchauffé et le dispositif de sécurité a entraîné le déclenchement de l'interrupteur thermique.	Débrancher l'appareil, laissez-le refroidir pendant 10 minutes, puis rebranchez-le.
L'appareil n'est pas branché dans une prise de courant.	Le disjoncteur de la maison s'est déclenché.	Réinitialisez le disjoncteur.
L'appareil n'est pas branché dans une prise de courant.	Le fusible de l'appareil a sauté.	Remplacez le fusible.
L'appareil n'est pas branché dans une prise de courant.	L'appareil a surchauffé et le dispositif de sécurité a entraîné le déclenchement de l'interrupteur thermique.	Vérifiez la fiche puis rebranchez-la.
L'appareil n'est pas branché dans une prise de courant.	L'appareil n'est pas branché dans une prise de courant.	Débranchez l'appareil, laissez-le refroidir pendant 10 minutes, puis rebranchez-le.
La télécommande ne fonctionne pas.	Les piles sont faibles.	Remplacez les piles AA de la télécommande.
La chaudière s'éteint automatiquement.	La température ambiante est trop élevée.	L'appareil est équipé d'un thermostat intégré et s'éteindra automatiquement lorsque la température atteindra la pièce descendra en dessous de la température programmée. La température programmée dépend des réglages sélectionnés pour la chaudière.

42.23A

8.0 RECHANGES

Contactez votre détaillant ou le fabricant pour les questions concernant les prix et la disponibilité des pièces de rechange. Normalement, toutes les pièces peuvent être commandées chez votre détaillant autorisé. **POUR UN REMPLACEMENT DE PIÈCE SOUS GARANTIE, UNE PHOTOCOPIE DE LA FACTURE ORIGINAL SERA REQUISE AFIN DE POUVOIR HONORER LA DEMANDE.**

Lorsque vous commandez des pièces, donnez toujours l'information suivante :

- Modèle et numéro de série de l'appareil
- Date d'installation de l'appareil
- Numéro de la pièce
- Description de la pièce
- Fin!

* IDENTIFIEZ LES ARTICLES QUI NE SONT PAS ILLUSTRÉS, POUR PLUS D'INFORMATION, CONTACTEZ VOTRE DÉTAILLANT AUTORISÉ.

AVERTISSEMENT
 OMETTRE DE POSITIONNER LES PIÈCES CONFORMÉMENT AU MANUEL OU D'UTILISER UNIQUEMENT DES PIÈCES SPÉCIFIQUEMENT APPROUVÉES POUR CET APPAREIL PEUT CAUSER DES DOMMAGES MATÉRIELS OU DES BLESSURES CORPORELLES.

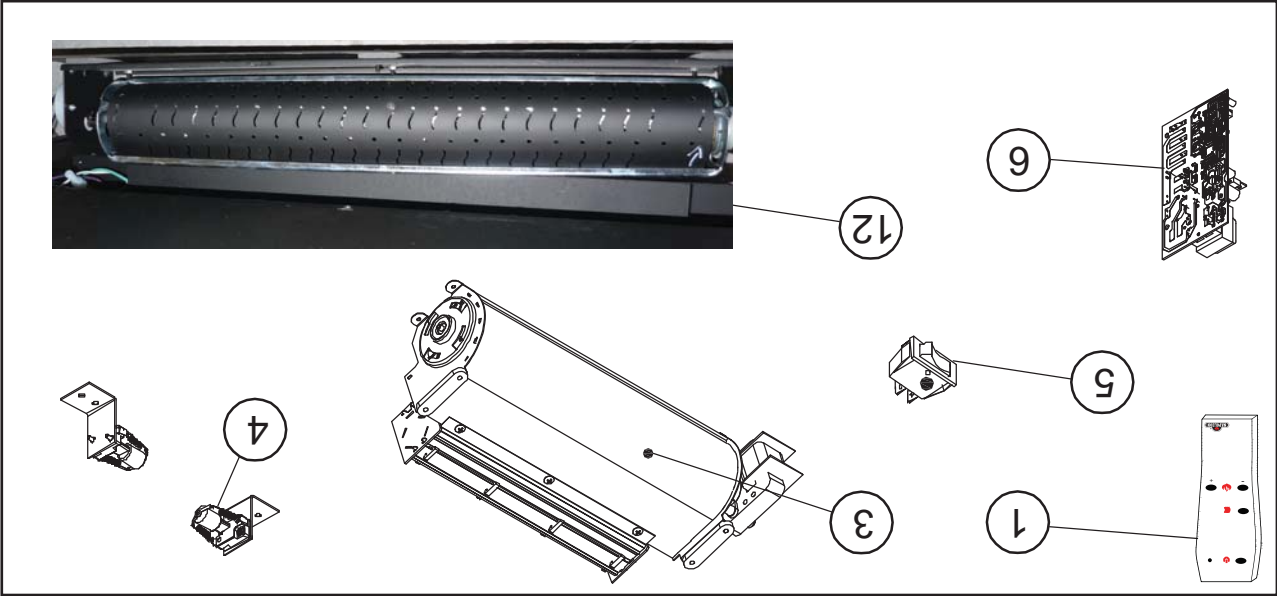
41.1

Pour le service après-vente, veuillez composer le 1-866-592-6667

COMPOSANTS

N° RÉF.	N° DE PIÈCE	DESCRIPTION
1	R-21	TÉLÉCOMMANDE
2*	DQ002-011	RÉCEPTEUR DE LA TÉLÉCOMMANDE
3	JQ-FAGETI-19	CHAUFFELETTE
4	DQ017-002	AMPOULE
5	SW	INTERRUPTEUR
6	DQ002-006	CARTE DE CIRCUIT IMPRIMÉ
7*	GBL74-001-05	FAÇADE VITRÉE
8*	GBL74-001-02	PLATEAU POUR BRAISES VITRIFIÉES
9*	GBL74-001-01	VERRE MIROIR
10*	YJF	MOTEUR DU VENTILATEUR
11*	MS 120V/20/24RPM	MOTEUR DU CYLINDRE
12	JQ-FGT-01	CYLINDRE
13*	W300-0117	BRAISES VITRIFIÉES
14*	W285-0004	FUSIBLE 3A

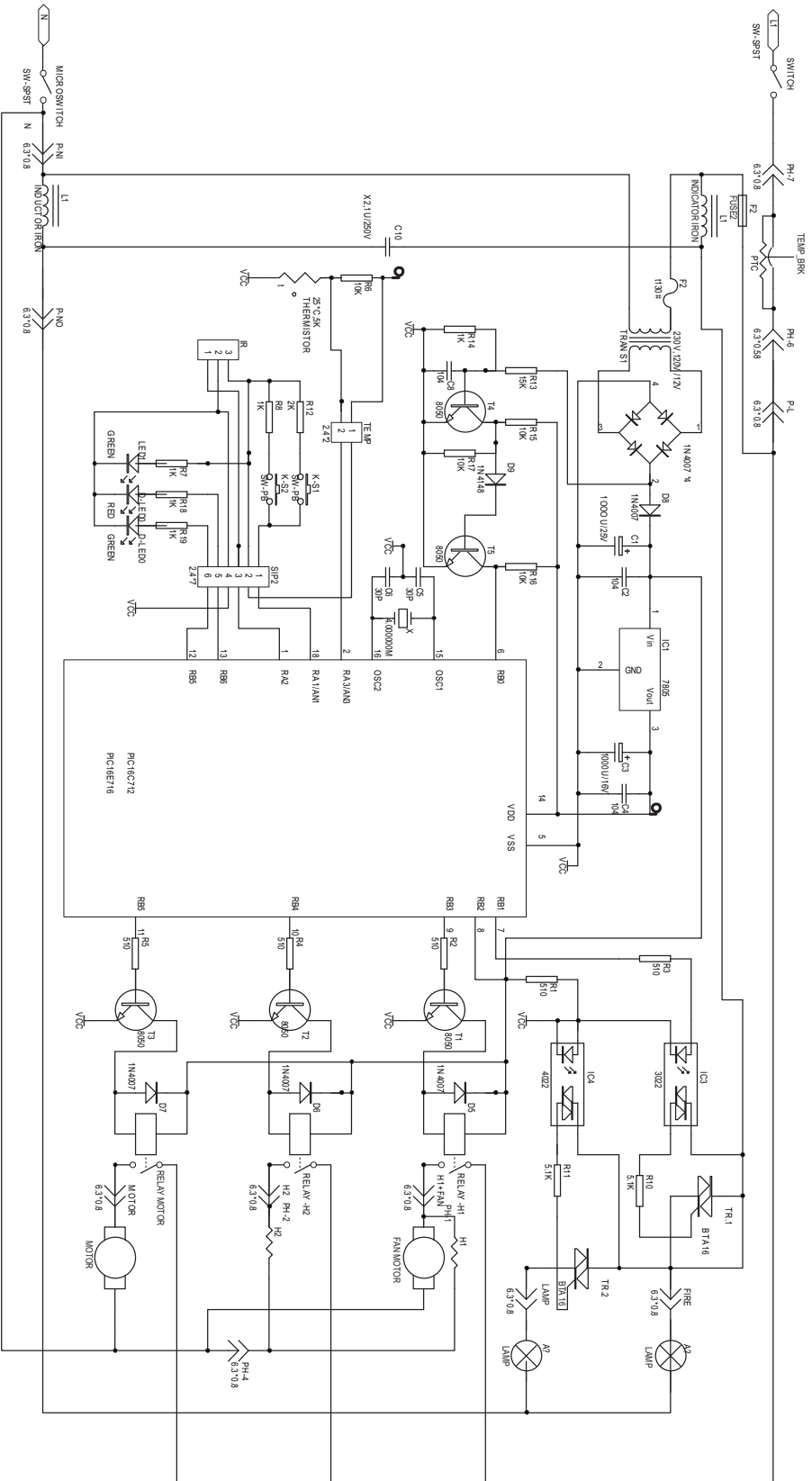
NOTE : Usez de prudence lorsque vous enlevez et jetez des débris de verre ou des composants endommagés. Assurez-vous d'aspirer tous les débris de verre à l'intérieur de l'appareil avant de le faire fonctionner.



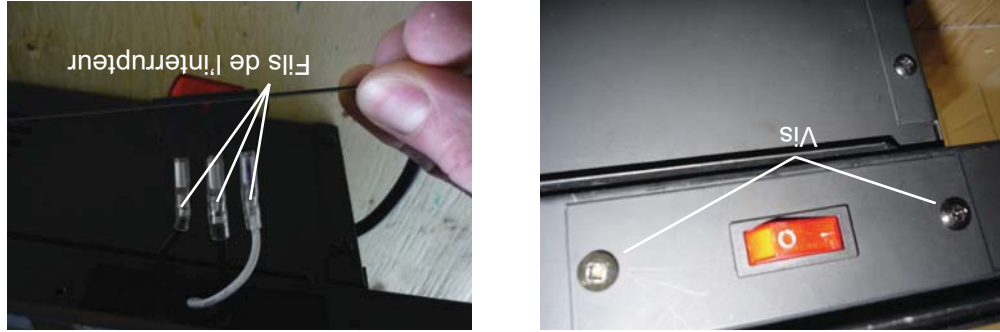
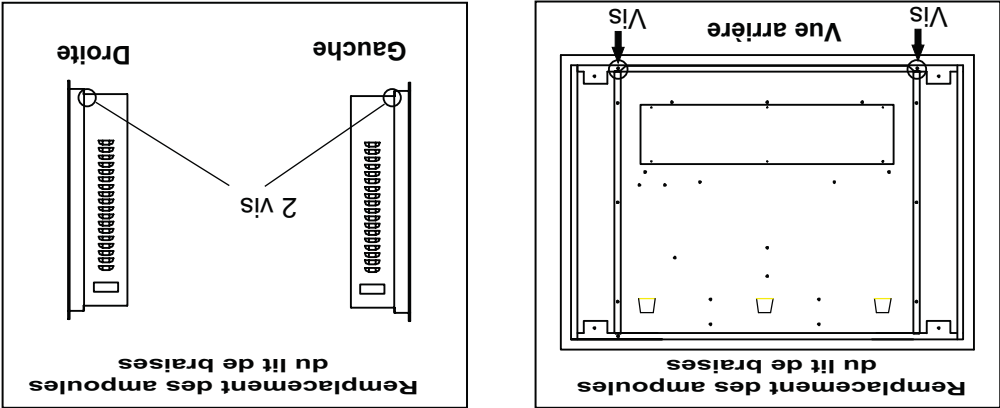
7.0 SCHEMA DE CABLAGE



ENSURE ALL POWER IS TURNED OFF BEFORE HARD WIRING THIS APPLIANCE.

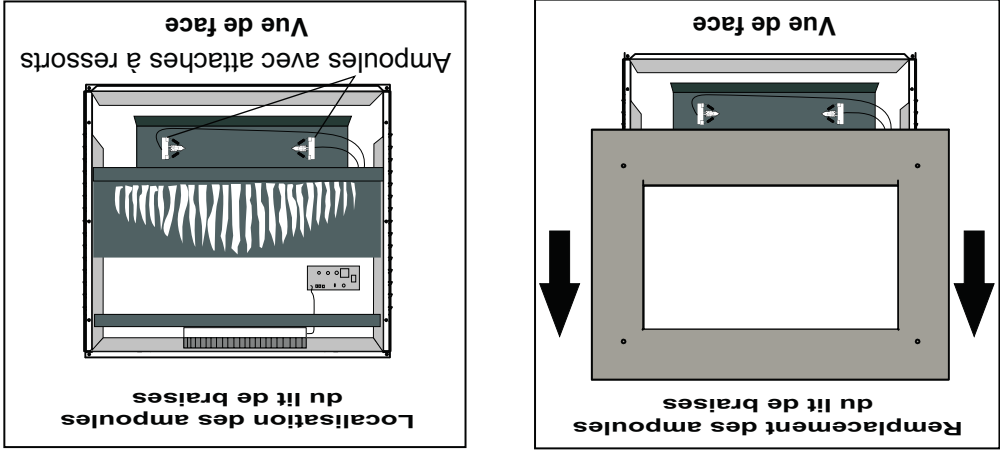


6.2 REMPLACEMENT DES AMPOULES DU LIT DE BRAISES



A.

Retirez les deux vis dans les coins inférieurs gauche et droit de l'appareil, derrière le panneau avant. Retirez les deux vis qui retiennent l'interrupteur, puis abaissez-le soigneusement. Avant d'enlever les fils, nous vous conseillons d'identifier les trois fils de l'interrupteur.



C.

Soulevez et retirez le panneau avant de l'appareil.

D.

Localisez les 2 ampoules du lit de braises comme illustré.

E.

Retirez l'attache à ressort. Tenez la douille et retirez l'ancienne ampoule.

F.

Tenez la douille de la nouvelle ampoule et insérez-la (N'excédez PAS la puissance en watts spécifiée).

G.

Remettez l'attache à ressort.

H.

Remplacez le panneau avant et les vis.

I.

Reinstallez les trois fils de l'interrupteur en vous assurant de les insérer à la bonne place.

J.

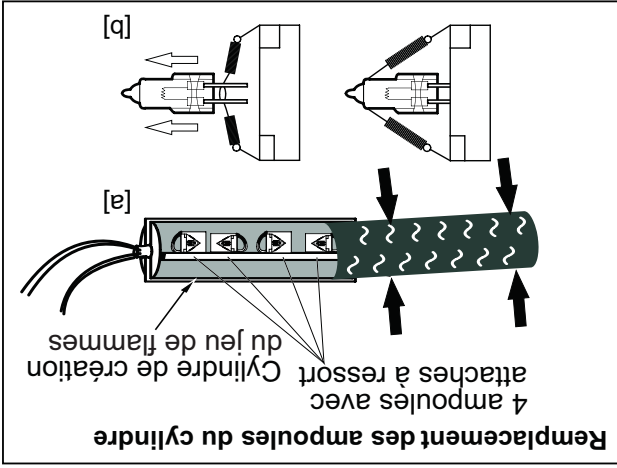
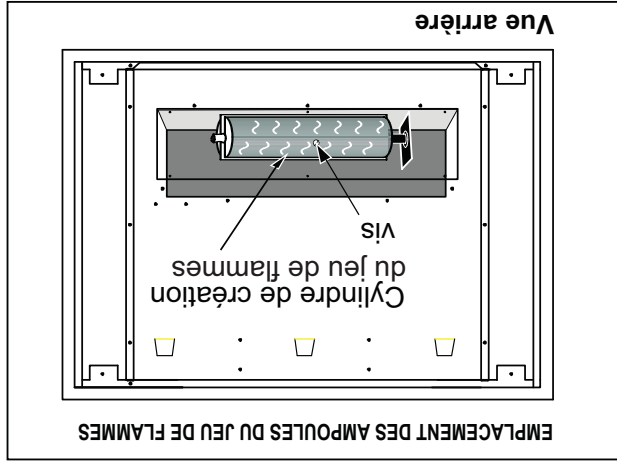
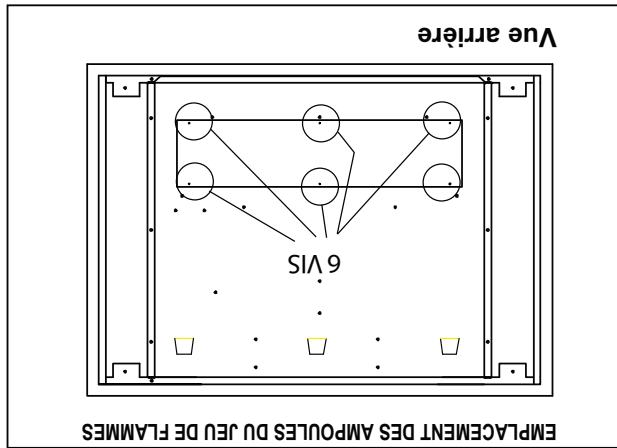
Reinstallez l'interrupteur avec les deux vis préalablement enlevées.

6.1 REMPLACEMENT DES AMPOULES DU JEU DE FLAMMES

AVERTISSEMENT !

Enlevez l'appareil du mur et fermez le disjoncteur du circuit avant d'effectuer un entretien.

- A. Enlevez les six vis de la plaque arrière dans le bas de l'appareil et ouvrez-la par le haut.
- B. Localisez le cylindre de création du jeu de flammes, fixé sur la face intérieure de la plaque arrière. Il est fabriqué de deux moitiés amovibles. Ce sont deux (2) pièces de tôle noir mat avec des trous qui peuvent être retirées de l'appareil.
- C. Retirez la vis servant à fixer le cylindre de création du jeu de flammes, tel qu'illustré.
- D. Serrez une moitié du cylindre jusqu'à ce que la bordure supérieure soit libérée du rail supérieur du cylindre. Retirez la bordure inférieure du cylindre du rail inférieur. Vous avez maintenant accès aux ampoules. **NOTE : Ne serrez pas trop le cylindre pour ne pas l'endommager.**
- E. Retirez l'attache à ressort. Tenez la douille et retirez l'ancienne ampoule.
- F. Tenez la douille de la nouvelle ampoule et insérez-la (NE PAS excéder la puissance (watts) spécifiée). Remplacez l'attache à ressort.
- G. Si nécessaire, répétez les étapes 5 et 6 pour les autres ampoules.
- H. Fixez la plaque arrière à l'appareil en réinstallant les six vis retirées à l'étape A.



6.0 ENTRETIEN

AVERTISSEMENT

PRÉPARATION POUR L'ENTRETIEN

Débrancher toujours l'alimentation électrique et laissez l'appareil refroidir avant de le nettoyer, de procéder à son entretien ou de le relocaliser. Tournez les contrôles à « OFF » et retirez la fiche de la prise de courant ou fermez le disjoncteur du circuit de votre appareil.

Ne pas installer d'ampoules de rechange qui excèdent la puissance (watts) maximale spécifiée.

Les ampoules halogènes de votre appareil deviennent très chaudes lors de leur utilisation. Lorsque vous devez les remplacer, attendez au moins 10 minutes après avoir éteint votre appareil pour les enlever.

Ne laissez pas les ampoules entrer en contact direct avec vos doigts; le gras sur vos doigts en- dommagera les ampoules lorsqu'elles chaufferont. Utilisez des gants ou un linge propre et sec lorsque vous manipulez les ampoules.

Éteignez l'appareil électrique ou fermez le disjoncteur du circuit de votre appareil avant d'effectuer un nettoyage ou un entretien. Laissez l'appareil refroidir complètement. La plupart des ampoules halogènes durent approximativement 1 800 heures. Comme toutes les ampoules, les ampoules halogènes doivent être remplacées périodiquement. Lorsque les ampoules seront brûlées vous constaterez les effets suivants :

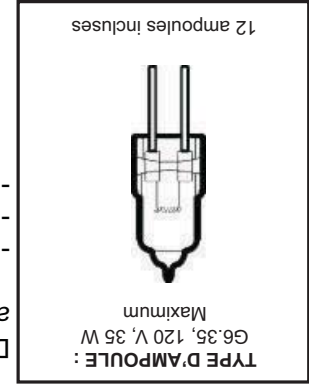
PROBLÈMES COURANTS :

- Il n'y a pas de flamme
- La luminosité des flammes ou des braises est faible ou inexistante à certains endroits
- La flamme ne bouge pas ou n'illumine pas

Vous devez ouvrir votre appareil pour remplacer les ampoules brûlées. Afin d'éviter d'ouvrir votre appareil à plusieurs reprises, nous vous conseillons de remplacer toutes les ampoules en même temps si elles approchent de la fin de leur durée de vie.

Douze ampoules halogènes (type G6.35 120 volts, 35 watts) sont fournies avec votre appareil :

- 2 ampoules pour la luminosité du lit de braises
- 4 ampoules pour la luminosité du jeu de flammes
- 6 ampoules de rechange

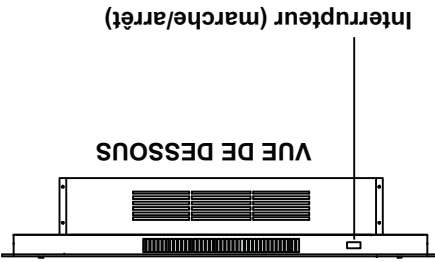


5.0 INSTRUCTIONS DE FONCTIONNEMENT

L'appareil est prêt à fonctionner dès qu'il est correctement branché dans une prise de courant mise à la terre. **NOTE :** Assurez-vous que les disjoncteurs de la maison pour ce circuit soient allumés. Lors d'une panne de courant, si l'interrupteur est à « ON » (I) et la télécommande manuelle est à « OFF », le système d'éclairage du jeu de flammes se rallumera au réglage élevé quand le courant sera rétabli. Par contre, la chaufferette restera éteinte.

5.1 INTERRUPTEUR

L'interrupteur est situé au bas de l'appareil, comme illustré.



Le « | » indique la position ON (marche) et le « O » la position OFF (arrêt). Placez l'interrupteur à la position « | » pour mettre en marche l'appareil et l'effet de flammes.

5.2 UTILISATION DE LA TÉLÉCOMMANDE

NOTE : Assurez-vous que les piles de la télécommande sont pleinement chargées et insérées correctement.

A. Branchez votre appareil électrique.

B. Assurez-vous que l'interrupteur MARCHÉ/ARRÊT de l'appareil est à « ON ». La télécommande ne peut fonctionner si l'interrupteur MARCHÉ/ARRÊT est à « OFF ».

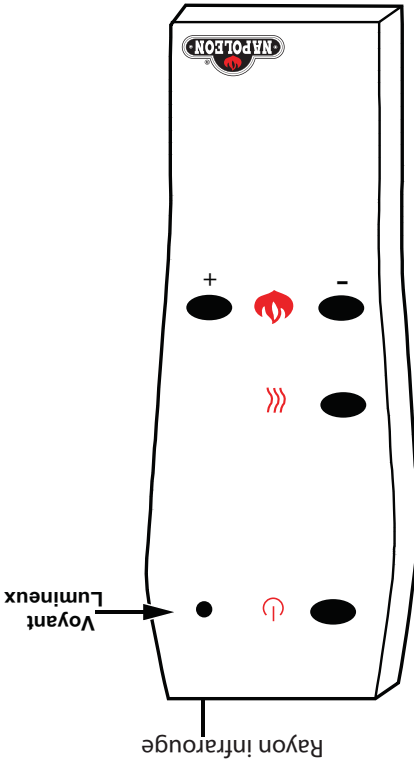
C. Pointez la télécommande en direction du devant de l'appareil. La touche, située dans le coin supérieur gauche de la télécommande, peut servir à mettre en marche ou à arrêter l'appareil (pour que la télécommande fonctionne, l'interrupteur de l'appareil doit être à « ON »). En appuyant sur cette touche, l'appareil est mis sous tension.

E. Pour actionner la chaufferette, appuyez sur la touche « >>>> ». Appuyez et relâchez la touche « >>>> » pour accéder aux différents réglages BAS, MOYEN, ÉLEVÉ et ARRÊT.

F. Pour régler la hauteur des flammes et la luminosité du lit de braises, appuyez sur les touches « + » ou « - ». Pour augmenter la hauteur des flammes et la luminosité du lit de braises, appuyez sur la touche « + »; pour diminuer la hauteur des flammes et la luminosité du lit de braises, appuyez sur la touche « - ». Il y a sept réglages différents pour les flammes.

G. Pour éteindre l'appareil, appuyez une fois sur la touche « ON/OFF ».

NOTE : Pour fonctionner, la télécommande doit être à moins de 8 mètres ou 26 pieds de l'appareil et le rayon devra être diminué au fur et à mesure que la charge de la pile diminuera.



4.0 FINITIONS

⚠️ AVERTISSEMENT

LE RACCORDEMENT PAR CÂBLE DOIT ÊTRE COMPLÈTE AVANT LA FINITION AFIN D'ÉVITER

TOUTE RECONSTRUCTION.

LES ENTRÉES D'AIR ET LES SORTIES D'AIR DE L'APPAREIL NE DOIVENT JAMAIS ÊTRE COUVERTES.

4.1 DISPOSITION DES BRAISES VITRIFIÉES

Avant de disposer les braises vitrifiées, la façade vitrée doit être retirée et l'appareil doit être installé dans son emplacement définitif. Il est possible que les braises vitrifiées soient coupantes, portez donc des lunettes de sécurité et des gants protecteurs pour les manipuler.

A. NETTOYER LES BRAISES VITRIFIÉES. Il est possible

qu'un film huileux recouvre les braises. Avant de les disposer dans le plateau, nettoyez les braises avec un

savon à vaisselle doux, égouttez-les, rincez-les à fond et laissez-les sécher.

B.. Disposez soigneusement les braises vitrifiées dans le

plateau inférieur sur le devant de l'appareil, comme illustré.

C. Mettez une couche uniforme de braises vitrifiées. Ramassez

la vitrée.

4.2 INSTALLATION DE LA FAÇADE VITRÉE

⚠️ AVERTISSEMENT

Ne pas serrer les boulons excessivement, sinon la vitre pourrait se briser.

Il est recommandé que l'installation de la vitre soit faite par deux personnes. Lorsque vous manipulez du verre, portez des lunettes de sécurité et des gants protecteurs.

A. Placez la façade vitrée sur l'appareil (le logo vers l'extérieur).

B. Alignez les quatre trous de la vitre avec les quatre trous

filées de l'appareil.

C. Utilisez les quatre boulons et les rondelles fournis. Insérez

les boulons dans la façade vitrée, puis dans les trous filés.

Serrez à la main, comme illustré.



3.1.3 INSTALLATION DE L'APPAREIL

Due to the many different materials used on different walls, it is highly recommended that you consult your local builder before you install this appliance on the wall.

Puisque les murs peuvent être recouverts de divers matériaux, nous vous conseillons fortement de retenir les services d'un professionnel qualifié pour ces travaux.

A. Choisissez un endroit non sujet à l'humidité et situé à au moins 3 pi (0,9 m) des articles combustibles, tels que les rideaux, meubles, literie, papier, etc.

B. Demandez à deux personnes d'appuyer et de maintenir l'appareil contre le mur pour en déterminer l'emplacement définitif.

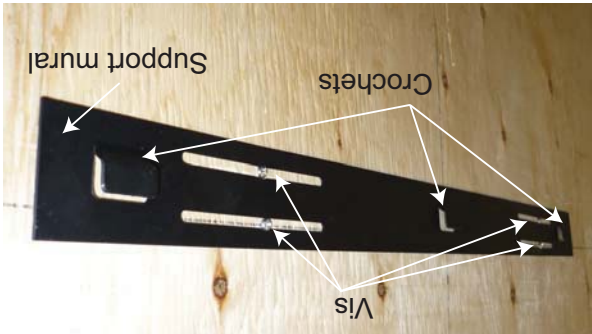
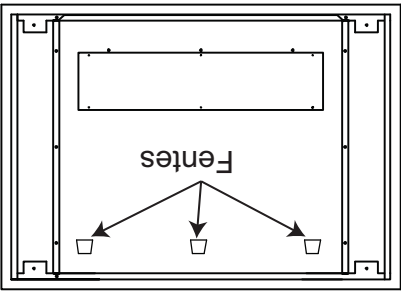
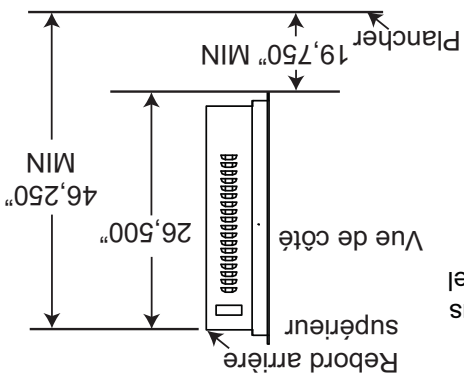
C. Lorsque l'appareil est placé et de niveau, mesurez la distance entre le plancher et le rebord arrière supérieur, comme illustré.

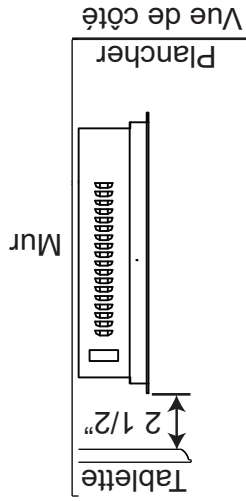
D. Le support mural fourni sera centré à l'arrière de l'appareil. Ce support est muni de quatre fentes et de trois crochets. Les fentes supérieures seront situées à 1,250 po sous le rebord arrière supérieur. Les fentes inférieures seront situées à 2,250 po sous ce rebord.

E. Marquez l'emplacement, puis installez le support sur le mur à l'aide des quatre vis fournies.

F. Une fois le support mural installé, demandez à deux personnes de soulever l'appareil et d'insérer les trois crochets du support dans les trois fentes à l'arrière de l'appareil.

G. Vérifiez la stabilité de l'appareil en vous assurant que le support est bien ancré dans le mur et que l'appareil ne tombera pas.





AVERTISSEMENT
 LORSQUE VOUS UTILISEZ DE LA PEINTURE OU DU VERNIS COMME FINITION POUR VOTRE TABLETTE, ASSUREZ-VOUS QU'ILS SOIENT RÉSISTANTS À LA CHALEUR AFIN DE PRÉVENIR LA DÉCOLORATION.

3.1.2 DÉGAGEMENTS MINIMAUX DE LA TABLETTE

Les mesures sont prises à partir de la façade vitrée.	
Dessous	Haut 19 3/4"
Côtés	Haut 4"
Arrière	0"
	Haut 2 1/2" au manteau
	4 1/2" au plafond

3.1 INSTALLATION MURALE 3.1.1 DÉGAGEMENTS MINIMAUX AUX MATÉRIEAUX COMBUSTIBLES

3.0 INSTALLATION

! AVERTISSEMENT

<p>RISQUE D'INCENDIE! LE CORDON D'ALIMENTATION NE DOIT PAS ÊTRE COINCÉ CONTRE UNE ARÊTE VIVE. FIXEZ LE CORDON POUR ÉVITER LES CHUTES OU LES ACCROCHAGES AFIN DE RÉDUIRE LE RISQUE D'INCENDIE, DE CHOC ÉLECTRIQUE OU DE BLESSURES CORPORELLES. NE PASSEZ PAS LE CORDON D'ALIMENTATION SOUS UN TAPIS. NE RECOUVREZ PAS LE CORDON AVEC DES CARPETTES, DES TAPIS DE COULOIR OU AUTRES REVÊTEMENTS SIMILAIRES. ÉVITEZ DE PLACER LE CORDON DANS UN ENDROIT PASSANT OU À UN ENDROIT OÙ IL RISQUE DE CAUSER DES CHUTES.</p>
<p>RISQUE D'INCENDIE! POUR PRÉVENIR LES RISQUES D'INCENDIE, NE BLOQUEZ PAS LES ENTRÉES D'AIR ET LES SORTIES D'AIR DE QUELQUE MANIÈRE QUE CE SOIT. NE PLACEZ PAS CET APPAREIL SUR UNE SURFACE MOLLE OÙ LES OUVERTURES POURRAIENT SE BLOQUER.</p>
<p>RISQUE D'INCENDIE! NE SOUFFLEZ PAS OU NE PLACEZ PAS D'ISOLANT CONTRE L'APPAREIL. CET APPAREIL ÉLECTRIQUE A ÉTÉ TESTÉ ET HOMOLOGUÉ POUR USAGE AVEC LES ACCESSOIRES OPTIONNELS LISTÉS DANS CE MANUEL UNIQUEMENT. L'UTILISATION D'ACCESSOIRES NON LISTÉS QUI N'ONT PAS ÉTÉ SPÉCIFIQUEMENT TESTÉS POUR CET APPAREIL ÉLECTRIQUE ANNULERA LA GARANTIE DE L'APPAREIL ET/OU PRÉSENTERA DES RISQUES POUR LA SÉCURITÉ.</p>
<p>SI CES INSTRUCTIONS NE SONT PAS SUIVIES À LA LETTRE, UN INCENDIE OU UNE EXPLOSION POURRAIT S'ENSUIVRE, CAUSANT DES DOMMAGES MATÉRIELS, DES BLESSURES CORPORELLES OU DES PERTES DE VIE. N'ENTREPOSEZ PAS ET N'UTILISEZ PAS D'ESSENCE OU AUTRES VAPEURS INFLAMMABLES À PROXIMITÉ DE CET APPAREIL OU TOUT AUTRE APPAREIL.</p>
<p>ÉTANT DONNÉ LA LOURDEUR DE CET APPAREIL, IL EST RECOMMANDÉ QUE DEUX PERSONNES EN FASSENT L'INSTALLATION.</p>
<p>LES ENTRÉES D'AIR ET LES SORTIES D'AIR NE DOIVENT PAS ÊTRE COUVERTES EN AUCUN CAS AFIN DE RÉDUIRE LE RISQUE D'INCENDIE.</p>

68.5

L'appareil EF39HD peut être installé sur le mur ou encastré dans un cadre de montage. Choisissez un endroit non sujet à l'humidité et situé à l'écart des rideaux, des meubles et des endroits passants. **NOTE:** Observez tous les codes locaux et nationaux de l'électricité. Cet appareil peut être installé dans une foyer existant ou dans une nouvelle maison/rénovation.

2.0 EMPLACEMENT DE L'APPAREIL

! AVERTISSEMENT	
EN RAISON DES TEMPÉRATURES ÉLEVÉES, L'APPAREIL DEVRAIT ÊTRE PLACÉ LOIN DES ENDROITS PASSANTS. GARDEZ TOUS LES ARTICLES COMBUSTIBLES TELS QUE LES MEUBLES, LES OREILLERS, LA LITERIE, LE PAPIER, LES VÊTEMENTS ET LES RIDEAUX À UNE DISTANCE D'AU MOINS 3 PIEDS (0,9 MÈTRE) DE LA FAÇADE DE L'APPAREIL.	
NE PLACEZ JAMAIS L'APPAREIL ÉLECTRIQUE À UN ENDROIT OÙ IL RISQUE DE TOMBER DANS UNE BAIGNOIRE OU TOUT AUTRE RÉSERVOIR CONTENANT DE L'EAU.	
PORTEZ DES GANTS DE PROTECTION ET DES LUNETTES DE SÉCURITÉ LORS DE L'INSTALLATION ET DE L'ENTRETIEN.	
AFIN D'ÉVITER TOUT CONTACT AVEC DE L'ISOLANT QUI S'AFFAÏSSE, L'APPAREIL ÉLECTRIQUE NE DOIT PAS ÊTRE INSTALLÉ CONTRE UN COUPE-VAPEUR OU DE L'ISOLANT À DÉCOUVERT. UNE SURCHAUFFE LOCALISÉE PEUT SURVENIR ET UN INCENDIE POURRAIT S'ENSUIVRE.	
L'APPAREIL ÉLECTRIQUE NE DOIT PAS ÊTRE EXPOSÉ AUX CONDITIONS EXTÉRIEURES (PAR EX. LA PLUIE).	

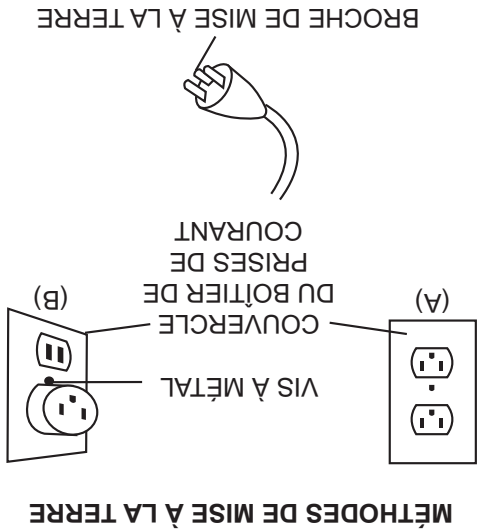
2.1 DÉBALLAGE ET VÉRIFICATION DE L'APPAREIL

Retirez soigneusement l'appareil de la boîte. Avant d'installer l'appareil, assurez-vous qu'il fonctionne bien en branchant le cordon d'alimentation dans une prise de courant mise à la terre de 120 V.

2.2 MISE À LA TERRE DE L'APPAREIL

Cet appareil doit être branché sur un circuit de 120 volts. Son cordon d'alimentation est équipé d'une fiche comme illustré en (A) ci-contre. Un adaptateur, tel qu'illustré en (C), est disponible pour brancher des fiches à trois branches avec mise à la terre dans des prises à deux fentes. La patte verte de mise à la terre de l'adaptateur doit être branchée dans une prise de courant mise à la terre de façon permanente telle qu'un boîtier de prises de courant mis à la terre. L'adaptateur ne doit pas être utilisé si une prise de courant mise à la terre à trois fentes est disponible.

Pour débrancher l'appareil, mettez les boutons de contrôle à « OFF » puis retirez la fiche de la prise de courant.



INTERDIT AU CANADA

⚠ AVERTISSEMENT
VEUILLEZ LIRE LE MANUEL D'INSTRUCTIONS EN ENTIER AVANT DE COMMENCER L'INSTALLATION. OMETTRE DE SUIVRE CES INSTRUCTIONS POURRAIT CAUSER UN MAUVAIS FONCTIONNEMENT DE L'APPAREIL ET ENTRAÎNER DES BLESSURES GRAVES ET/OU DES DOMMAGES MATÉRIELS.
TOUTS LES APPAREILS ÉLECTRIQUES CONTIENNENT DES COMPOSANTS INTERNES QUI DEVIENNENT CHAUDS ET QUI PRODUISENT DES ÉTINCELLES. N'UTILISEZ PAS CET APPAREIL DANS DES ENDROITS OÙ DE L'ESSENCE, DES PEINTURES OU D'AUTRES LIQUIDES INFLAMMABLES SONT PRÉSENTS.
CET APPAREIL ÉLECTRIQUE A ÉTÉ TESTÉ ET HOMOLOGUÉ POUR USAGE AVEC LES ACCESSOIRES OPTIONNELS LISTÉS DANS CE MANUEL UNIQUEMENT. L'UTILISATION D'ACCESSOIRES OPTIONNELS QUI N'ONT PAS ÉTÉ SPÉCIFIQUEMENT TESTÉS POUR CET APPAREIL ÉLECTRIQUE ANNULERA LA GARANTIE DE L'APPAREIL ET/OU PRÉSENTERA DES RISQUES POUR LA SÉCURITÉ.
NE PAS OUVRIR. RISQUE DE CHOC ÉLECTRIQUE. AUCUNE PIÈCE RÉPARABLE PAR L'UTILISATEUR À L'INTÉRIEUR.
N'UTILISEZ PAS DE CORDONS D'ALIMENTATION ENDOMMAGÉS.
L'ENTRETIEN NE DOIT ÊTRE EFFECTUÉ QUE LORSQUE L'APPAREIL EST DÉBRANCHÉ DU CIRCUIT ÉLECTRIQUE.
HAUTE TEMPÉRATURE, RISQUE D'INCENDIE. GARDEZ LES CORDONS D'ALIMENTATION, LES RIDEAUX, L'AMEUBLEMENT ET TOUT AUTRE ARTICLE COMBUSTIBLE À UNE DISTANCE D'AU MOINS 36" DE LA FAÇADE DE L'APPAREIL ET À L'ÉCART DES CÔTÉS ET DE L'ARRIÈRE.
POUR ÉVITER LES CHOC ÉLECTRIQUES, INTRODUISEZ LA BRANCHE LA PLUS LARGE DE LA FICHE DANS LA FENTE CORRESPONDANTE DE LA PRISE ET INSÉREZ JUSQU'AU FOND.

Cet appareil électrique répond aux normes de construction et de sécurité du H.U.D. pour des applications dans des maisons préfabriquées lorsque installée selon ces instructions.

- A.** Avant de brancher votre appareil dans une prise de courant, vérifiez si le disjoncteur de la maison pour ce circuit est allumé.
- B.** Il est possible que l'appareil dégage une légère odeur inoffensive lors de la première utilisation. Cela est une condition normale causée par le chauffage initial des éléments de l'appareil. Elle ne se reproduira plus.
- C.** Si votre appareil n'émet pas de chaleur, consultez la section « Fonctionnement » de ce manuel pour de plus amples renseignements.
- D.** Utilisez avec un limiteur de surtension certifié CSA ou UL.

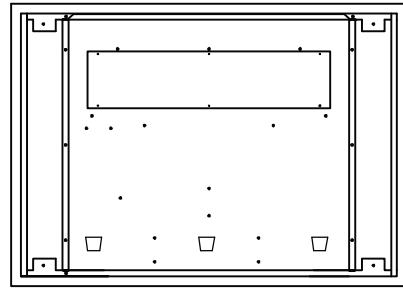
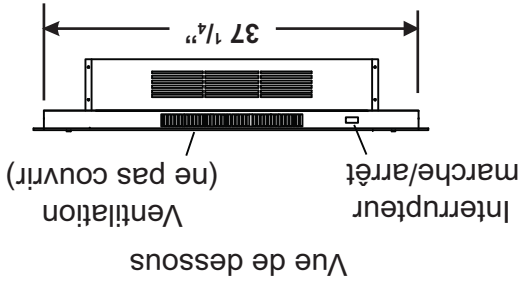
Numéro de modèle	EF39HD
Description	Installation murale
Tension	120 V CA
Puissance	MAX 1500 W
Ampères	15 A CIRCUIT MIS À LA TERRE
Largeur	39 3/16"
Hauteur	28 1/16"
Profondeur	7 1/4"
Poids net	66 lb
Poids brut	82 lb

NOTE : Cet appareil doit être raccordé électriquement et mis à la terre selon les codes locaux ou, en l'absence de codes locaux, selon le National Electric code ANSI/NFPA 70 (dernière édition) et selon le code canadien de l'électricité CSA C22.1.

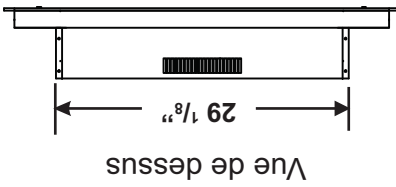
lant local.

Cet appareil a été testé selon les normes CSA pour foyers électriques installés de façon permanente aux États-Unis et au Canada. Si vous avez besoin d'assistance durant l'installation, veuillez contacter votre détaillant local.

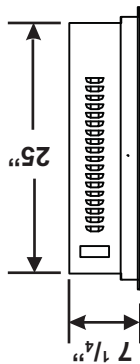
1.2 HOMOLOGATIONS



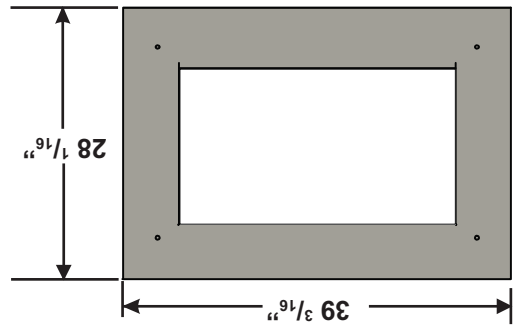
Vue arrière



Vue de dessus



Vue de côté



Vue de face

1.1 DIMENSIONS

! AVERTISSEMENT

• CET APPAREIL EST CHAUD LORSQU'IL FONCTIONNE ET PEUT CAUSER DE GRAVES BRÛLURES EN CAS DE CONTACT.

- Ne faites pas fonctionner l'appareil avant d'avoir lu et compris les instructions d'utilisation. Ne pas respecter les instructions pourrait causer un incendie ou des blessures corporelles.
- Risque de brûlures. L'appareil doit être éteint et refroidi avant d'effectuer l'entretien. Pour débrancher l'appareil, mettez d'abord les boutons de contrôle à « OFF » puis retirez la fiche de la prise de courant.
- N'installez pas de composants endommagés ou incomplets ni des composants de substitution.
- Ne brûlez pas de bois ou autres matériaux dans cet appareil.
- Les jeunes enfants doivent être supervisés attentivement lorsqu'ils sont dans la même pièce que l'appareil. Les jeunes enfants et autres personnes sont sujets aux brûlures accidentelles. Une barrière de protection est recommandée s'il y a dans la maison des individus à risque. Afin de restreindre l'accès à l'appareil, installez une barrière de protection ajustable pour garder les jeunes enfants ou autres personnes à risque hors de la pièce et loin des surfaces chaudes.
- Les vêtements et autres matériaux combustibles ne doivent pas être posés sur l'appareil ou à proximité.
- En raison des températures élevées, l'appareil devrait être placé loin des endroits passants et loin des meubles et des rideaux.
- Assurez-vous de disposer de mesures de sécurité adéquates pour empêcher les jeunes enfants de toucher aux surfaces chaudes.
- Même lorsque l'appareil est éteint, la porte et l'écran demeureront chauds pendant un bon moment.
- Consultez votre détaillant local de foyer pour connaître les grillages de sécurité et les écrans offerts pour protéger les enfants des surfaces chaudes. Ces grillages de sécurité et ces écrans doivent être fixés au plancher.
- Les grillages de sécurité ou écrans enlevés pour faire l'entretien devront être remis en place avant d'utiliser l'appareil.
- Il est primordial de garder propres les compartiments de contrôle, la soufflerie et les bouches d'air de l'appareil. L'appareil doit être inspecté avant la première utilisation et au moins une fois l'an par un spécialiste en entretien. Un entretien plus fréquent pourrait être nécessaire en raison des peluches provenant des tapis, literie, etc. L'emplacement de l'appareil doit être gardé libre de tous matériaux combustibles, essence ou autres liquides et vapeurs inflammables.
- Cet appareil ne devra être modifié en aucun cas.
- N'utilisez pas cet appareil si une partie quelconque a été submergée. Contactez immédiatement un technicien de service qualifié pour inspecter l'appareil et pour remplacer toute pièce du système de contrôle qui aurait été submergée.
- Ne pas opérer l'appareil lorsque la porte vitrée est enlevée, fissurée ou brisée. Le remplacement de la vitre devra être effectué par un technicien de service certifié ou qualifié.
- Ne frappez pas et ne claquez pas la porte vitrée de l'appareil.
- Les matériaux d'emballage doivent être gardés hors de la portée des enfants et mis au rebut de façon sécuritaire. Comme tous les emballages de plastique, ceux-ci ne sont pas des jouets et doivent demeurer hors de la portée des enfants et des bébés.
- L'entretien ne doit être effectué que lorsque l'appareil est débranché du circuit électrique.
- Débranchez toujours l'appareil lorsqu'il n'est pas utilisé.
- N'utilisez pas l'appareil si le cordon d'alimentation ou la fiche sont endommagés, s'il ne fonctionne pas bien, ou s'il a été échappé ou endommagé d'une quelconque façon. Retournez l'appareil à un centre de service autorisé pour une inspection, des ajustements électriques ou mécaniques ou une réparation.
- N'utilisez pas cet appareil à l'extérieur.
- Ne placez jamais l'appareil à un endroit où il risque de tomber dans une baignoire ou tout autre réservoir contenant de l'eau.
- Ne passez pas le cordon d'alimentation sous un tapis. Ne recouvrez pas le cordon avec des tapis, des tapis de couloir ou autres revêtements similaires. Évitez de placer le cordon dans un endroit passant ou à un endroit où il risque de causer des chutes.
- Branchez seulement dans une prise de courant adéquatement mise à la terre.
- N'insérez pas d'objets dans les ouvertures d'entrée d'air ou de sortie d'air puisque d'endommager l'appareil ou causer des chocs électriques ou un incendie.
- Pour prévenir les risques d'incendie, ne bloquez pas les entrées d'air et les sorties d'air de quelque manière que ce soit. Ne placez pas cet appareil sur une surface molle telle qu'un tapis où les ouvertures pourraient se bloquer.
- Branchez toujours les appareils directement dans une prise de courant. N'utilisez jamais de rallonge ou de prise électrique relogée (prise/barre d'alimentation).
- Assurez-vous de respecter les engagements aux matériaux combustibles lorsque vous installez un manteau ou des tablettes au-dessus de l'appareil. Les téléviseurs et autres composants électroniques soumis à des températures élevées peuvent fondre, se déformer, se décolorer et entraîner des défaillances prématurées de ces appareils.

TABLE DES MATIÈRES

3	INTRODUCTION	1.0
4	DIMENSIONS	1.1
4	HOMOLOGATIONS	1.2
5	INSTRUCTIONS GÉNÉRALES	1.3
6	EMPLACEMENT DE L'APPAREIL	2.0
6	DÉBALLAGE ET VÉRIFICATION DE L'APPAREIL	2.1
6	MISE À LA TERRE DE L'APPAREIL	2.2
7	INSTALLATION	3.0
8	INSTALLATION MURALE	3.1
8	DÉGAGEMENTS MINIMAUX AUX MATÉRIAUX COMBUSTIBLES	3.1.1
8	DÉGAGEMENTS MINIMAUX DE LA TABLETTE	3.1.2
9	INSTALLATION DE L'APPAREIL	3.1.3
10	FINITIONS	4.0
10	DISPOSITION DES BRAISES VITRIFIÉES	4.1
10	INSTALLATION DE LA FAÇADE VITRÉE	4.2
11	INSTRUCTIONS DE FONCTIONNEMENT	5.0
11	INTERRUPTEUR	5.1
11	UTILISATION DE LA TÉLÉCOMMANDE	5.2
12	ENTRETIEN	6.0
13	REMPLACEMENT DES AMPOULES DU JEU DE FLAMMES	6.1
14	REMPLACEMENT DES AMPOULES DU LIT DE BRAISES	6.2
15	SCHEMA DE CÂBLAGE	7.0
16	RECHANGES	8.0
17	GUIDE DE DÉPANNAGE	9.0
18	GARANTIE	10.0
19	HISTORIQUE D'ENTRETIEN	11.0

NOTE: Les changements autres que de nature éditoriale sont dénotés par une ligne verticale dans la marge.

Wolf Steel Ltd., 24 Napoleon Rd., Barrie, ON, L4M 0G8 Canada / 103 Miller Drive, Crittenden, Kentucky, USA, 41030 / Téléphone 705-721-1212 • Télécopieur 705-722-6031 • www.napoleonfoyers.com • ask@napoleonproducts.com

APPOSEZ L'ÉTIQUETTE DU NUMÉRO DE SÉRIE DU CARTON

N° de série XXXXXX000000
N° DE MODÈLE

CONSIGNES DE SÉCURITÉ

! AVERTISSEMENT

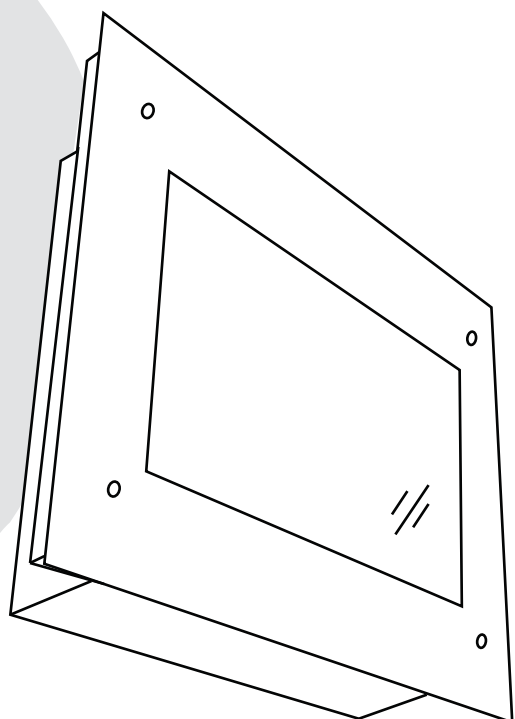
Si ces instructions ne sont pas suivies à la lettre, un incendie ou une explosion pourraient s'ensuivre causant des dommages matériels, des blessures corporelles ou des pertes de vie.

- N'entreposez pas et n'utilisez pas d'essence ou autres liquides et vapeurs inflammables à proximité de cet appareil ou tout autre appareil.

CERTIFIÉ POUR LE CANADA ET LES ÉTATS-UNIS SELON LES MÉTHODES ANSI/CSA.

! AVERTISSEMENT

LA VITRE CHAUDE CAUSERA DES BRÛLURES.
NE PAS TOUCHER LA VITRE AVANT QU'ELLE AIT REFRIDI.
NE JAMAIS LAISSER LES ENFANTS TOUCHER LA VITRE.



EF39HD

FOYER ÉLECTRIQUE

HOMOLOGUÉ SELON LES NORMES NATIONALES CANADIENNES ET AMÉRICAINES : CSA C22.2 No-46 / UL 1278

FOYERS DE QUALITÉ

INSTRUCTIONS D'INSTALLATION ET D'OPÉRATION

INSTALLATEUR : LAISSEZ CE MANUEL AVEC L'APPAREIL.
PROPRIÉTAIRE : CONSERVEZ CE MANUEL POUR CONSULTATION ULTÉRIEURE.
NE LAISSEZ PAS LES ENFANTS OU AUTRES INDIVIDUS À RISQUE SEULS À PROXIMITÉ DE L'APPAREIL.