

DRC3000 SERIES

 PRO SERIES DIRECT VENT GAS FIREPLACES

Superior
FIREPLACES®
Our name is our promise.



CONTEMPORARY

The captivating DRC3000 Series is the quintessence of modern hearth. Fashioned with an elegant two-piece façade, porcelain liners, and crushed glass media, the DRC3000 standard features represent dapper simplicity. Optional features like high-definition driftwood logs and tumbled river stones punctuate its contemporary appeal. The DRC3000 is modern value at its best.



FEATURED DRC3035 with standard Black Reflective Crushed Glass Media and optional Driftwood

EXCLUSIVE FEATURES

- 🔥 Available in 35", and 40" clean-faced models
- 🔥 Combo top/rear flue configuration for all models
- 🔥 Electronic ignition with seamless battery backup to provide continued operation in the event of a power outage (IPI/CPI switch conveniently hidden on façade base, standard)
- 🔥 Wall switch provides variable flame settings
- 🔥 Outstanding heating efficiency for increased comfort and lower operating costs
- 🔥 Standard two-piece façade in black, stainless or mixed
- 🔥 Standard tempered glass and 2015 ANSI barrier compliant
- 🔥 Reflective crushed glass media available in a variety of colors
- 🔥 Full three-piece black reflective porcelain liners
- 🔥 Optional On/Off remote control and blower available for all models
- 🔥 20 year limited warranty

FAÇADES

(Standard)



Black on Stainless (shown with River Stones and Copper Crushed Glass)



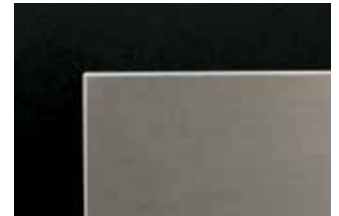
Black on Stainless



Stainless on Stainless



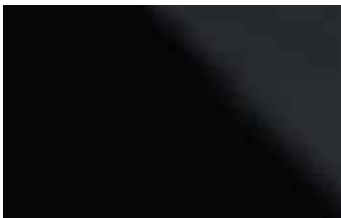
Black on Black



Stainless on Black

INTERIOR

(Standard)

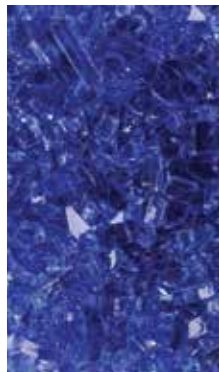


Black Reflective Porcelain is the perfect backdrop for a sleek modern focal point.

GLASS MEDIA OPTIONS



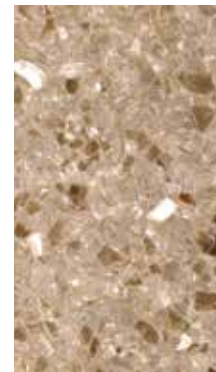
Reflective Black
(Standard)



Reflective Blue



Copper



Goldfinger



Platinum

OPTIONAL



3-Piece, High-Definition Driftwood Log Set

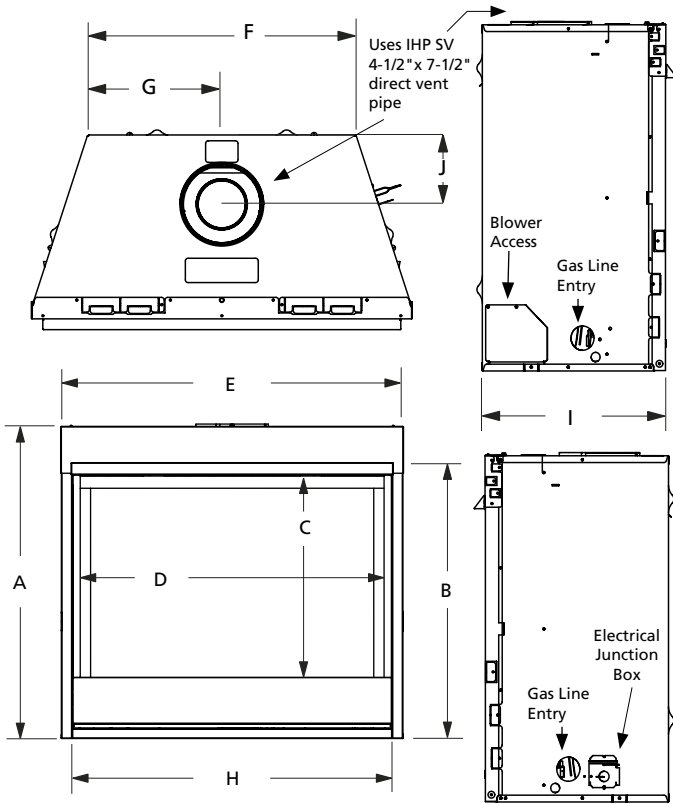


18-Piece, Multi-Size, Multi-Color Tumbled River Stones



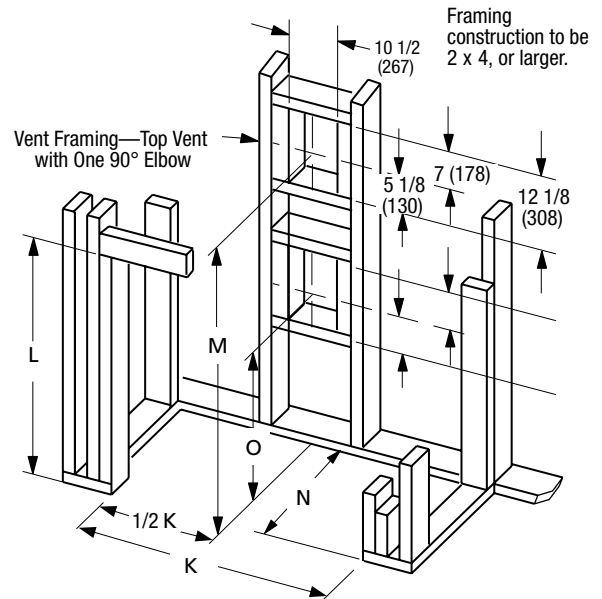
On/Off Remote Control

APPLIANCE SPECIFICATIONS



	DRC3035	DRC3040
A	32-1/8"	37-1/8"
B	28-3/4"	33-1/4"
C	22-1/4"	27-1/4"
D	32-3/8"	37-3/8"
E	35-1/4"	40-1/4"
F	25"	30"
G	12-1/2"	15"
H	32-7/8"	37-7/8"
I	17"	17"
J	6-7/8"	6-7/8"

FLAT WALL FRAMING SPECIFICATIONS



	DRC3035	DRC3040
K	35-3/8"	40-3/8"
L	36-1/4"*	41-1/4"*
M	38-3/4"	43-3/4"
N	18"	18"
O	23-3/8"	28-1/4"

* Includes 4" for fold-up standoffs

FIREPLACE EFFICIENCIES – Listed to ANSI Z21.88 as a gas fireplace heater.

MODEL	FUEL	BTU/HR	AFUE**	P4 / ENERGUIDE*
DRC3035	NG	16,000	66%	63.0%
DRC3035	LP	15,000	66%	63.0%
DRC3040	NG	20,000	66%	63.0%
DRC3040	LP	19,000	66%	63.0%

*Intermittent ignition systems.

**Annual Fuel Utilization Efficiency (AFUE) is the recognized U.S. rating system for the total efficiency of heating products.

On the Cover: DRC3035 with Stainless on Black Façade and Black Reflective Crushed Glass Media

IMPORTANT NOTES:

As with any fireplace, this appliance is extremely hot during operation. Read and understand all operating instructions before using this appliance. For further information, consult your dealer.

Local conditions, such as elevation, wind, vent configuration and choice of fuel will affect overall appearance of the fire and heating performance. Performance can also vary with home design and insulation, climate, condition and type of fuel used, appliance location, burn rate, accessories chosen, chimney installation and how the appliance is operated.

Diagrams, illustrations and photographs are not to scale—consult installation instructions. Product designs, materials, dimensions, specifications, colors and prices are subject to change or discontinuance without notice.



Approved for use with European Copper and Chimney Classics chimney tops, which improve performance and add an elegant touch.



© 2015 Innovative Hearth Products

785636M 05/15

Visit us online



SuperiorFireplaces.us.com

