



## Installation and Operation Instructions

### Superior™ Unvented (Vent-Free) Gas Compact Classic Hearth Fireplace

P/N 126872-01 Rev.A 02/2014



Models

VCM3026ZMP

VCM3026ZMN



P126872-01

**INSTALLER:** Leave this manual with the appliance.  
**CONSUMER:** Retain this manual for future reference.

This appliance may be installed in an aftermarket permanently located, manufactured (mobile) home, where not prohibited by local codes. This appliance is only for use with the type of gas indicated on the rating plate. This appliance is not convertible for use with other gases.

This is an unvented gas-fired heater. It uses air (oxygen) from the room in which it is installed. Provisions for adequate combustion and ventilation air must be provided. Refer to Air for Combustion and Ventilation section on page 6 of this manual.

**⚠ WARNING:** If the information in these instructions is not followed exactly, a fire or explosion may result causing property damage, personal injury or loss of life.

- Do not store or use gasoline or other flammable vapors and liquids in the vicinity of this or any other appliance.
- **WHAT TO DO IF YOU SMELL GAS:**
  - Do not try to light any appliance.
  - Do not touch any electrical switch; do not use any phone in your building.
  - Immediately call your gas supplier from a neighbor's phone. Follow the gas supplier's instructions.
  - If you cannot reach your gas supplier, call the fire department.
- Installation and service must be performed by a qualified installer, service agency or the gas supplier.

## TABLE OF CONTENTS

Safety .....	2	Cleaning and Maintenance.....	26
Product Identification .....	4	Wiring Diagram .....	27
Optional Remote Control Accessories.....	4	Troubleshooting .....	28
Local Codes.....	4	Specifications .....	32
Product Features .....	5	Replacement Parts .....	32
Unpacking.....	5	Service Hints .....	32
Assembly.....	5	Technical Service.....	32
Air For Combustion and Ventilation .....	6	Accessories .....	33
Installation .....	9	Parts .....	34
Operation.....	22	Warranty.....	36
Inspecting Burners.....	25		

## SAFETY

**⚠ WARNING:** Improper installation, adjustment, alteration, service, or maintenance can cause injury or property damage. Refer to this manual for correct installation and operational procedures. For assistance or additional information consult a qualified installer, service agency, or the gas supplier.

**⚠ WARNING:** This is an unvented gas-fired heater. It uses air (oxygen) from the room in which it is installed. Provisions for adequate combustion and ventilation air must be provided. Refer to *Air for Combustion and Ventilation* section on page 6 of this manual.

**This appliance may be installed in an aftermarket,\* permanently located, manufactured (mobile) home, where not prohibited by local codes.**

**This appliance is only for use with the type of gas indicated on the rating plate. This appliance is not convertible for use with other gases.**

\* Aftermarket: Completion of sale, not for purpose of resale, from the manufacturer

**⚠ WARNING:** This product contains and/or generates chemicals known to the State of California to cause cancer or birth defects, or other reproductive harm.

**IMPORTANT:** Read this owner's manual carefully and completely before trying to assemble, operate, or service this fireplace. Improper use of this fireplace can cause serious injury or death from burns, fire, explosion, electrical shock, and carbon monoxide poisoning.

**⚠ DANGER:** Carbon monoxide poisoning may lead to death!


**Carbon Monoxide Poisoning:** Early signs of carbon monoxide poisoning resemble the flu, with headaches, dizziness, or nausea. If you have these signs, the fireplace may not be working properly. Get fresh air at once! Have fireplace serviced. Some people are more affected by carbon monoxide than others. These include pregnant women, people with heart or lung disease or anemia, those under the influence of alcohol, and those at high altitudes.


**Natural and Propane/LP Gas:** Natural and propane/LP gases are odorless. An odor-making agent is added to the gas. The odor helps you detect a gas leak. However, the odor added to the gas can fade. Gas may be present even though no odor exists.


# SAFETY

## Continued

Make certain you read and understand all warnings. Keep this manual for reference. It is your guide to safe and proper operation of this fireplace.

 **WARNING:** Any change to this fireplace or its controls can be dangerous.

 **WARNING:** Do not use a blower insert, heat exchanger insert, or other accessory not approved for use with this fireplace.

 **WARNING:** Do not allow fans to blow directly into the fireplace. Avoid any drafts that alter burner flame patterns. Ceiling fans can create drafts that alter burner flame patterns. Altered burner patterns can cause sooting.

**Due to high temperatures, the appliance should be located out of traffic and away from furniture and draperies.**

**Do not place clothing or other flammable material on or near the appliance. Never place any objects on the heater.**

**Fireplace front and screen become very hot when running heater. Keep children and adults away from hot surfaces to avoid burns or clothing ignition. Fireplace will remain hot for a time after shutdown. Allow surfaces to cool before touching.**

**Carefully supervise young children when they are in the room with fireplace. When using the hand-held remote accessory keep selector switch in the OFF position to prevent children from turning on burners with remote.**

**You must operate this fireplace with the fireplace screen in place. Make sure fireplace screen is closed before running fireplace.**

**Keep the appliance area clear and free from combustible materials, gasoline, and other flammable vapors and liquids.**

1. This appliance is only for use with the type of gas indicated on the rating plate. This appliance is not convertible for use with other gases.
2. Do not place propane/LP supply tank(s) inside any structure. Locate propane/LP supply tank(s) outdoors.
3. If you smell gas
  - shut off gas supply
  - do not try to light any appliance
  - do not touch any electrical switch; do not use any phone in your building
  - immediately call your gas supplier from a neighbor's phone. Follow the gas supplier's instructions
  - if you cannot reach your gas supplier, call the fire department
4. This fireplace shall not be installed in a bathroom or bedroom.
5. Do not use this fireplace as a wood-burning fireplace. Use only the logs provided with the fireplace.
6. Do not add extra logs or ornaments such as pine cones, vermiculite, or rock wool. Using these added items can cause sooting. Do not add lava rock around base. Rock and debris could fall into the control area of fireplace.
7. This fireplace is designed to be smokeless. If logs ever appear to smoke, turn off fireplace and call a qualified service person.

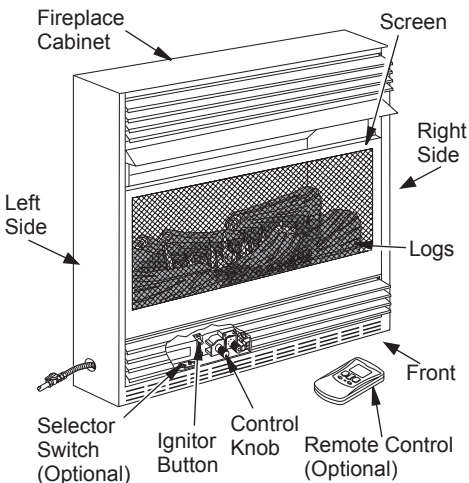
# SAFETY

## Continued

*Note: During initial operation, slight smoking could occur due to log curing and fireplace burning manufacturing residues.*

8. To prevent the creation of soot, follow the instructions in *Cleaning and Maintenance*, page 26.
9. Before using furniture polish, wax, carpet cleaner, or similar products, turn fireplace off. If heated, the vapors from these products may create a white powder residue within burner box or on adjacent walls or furniture.
10. This fireplace needs fresh air ventilation to run properly. This fireplace has an Oxygen Depletion Sensing (ODS) safety shutoff system. The ODS shuts down the fireplace if not enough fresh air is available. See *Air for Combustion and Ventilation*, page 6. If fireplace keeps shutting off, see *Troubleshooting*, page 28.
11. Do not run fireplace
  - where flammable liquids or vapors are used or stored.
  - under dusty conditions.
12. Do not use this fireplace to cook food or burn paper or other objects.
13. Do not use fireplace if any part has been under water. Immediately call a qualified service technician to inspect the room fireplace and to replace any part of the control system and any gas control which has been under water.
14. Turn off and unplug fireplace and let cool before servicing. Only a qualified service person should service and repair fireplace.
15. Operating fireplace above elevations of 4,500 feet could cause pilot outage.
16. Do not operate fireplace if any log is broken. Do not operate fireplace if a log is chipped (dime-sized or larger).
17. To prevent performance problems, do not use propane/LP fuel tank of less than 100 lbs. capacity.
18. Provide adequate clearances around air openings.
19. The screen or any other part removed for servicing must be replaced prior to operating this heater.

## PRODUCT IDENTIFICATION



**Figure 1 - Vent-Free Compact Classic Hearth® Fireplace**

## OPTIONAL REMOTE CONTROL ACCESSORIES

There are five optional remote controls that can be purchased separately:

- wall switch
- hand-held ON/OFF remote
- wall thermostat
- hand-held thermostat remote
- hand-held touch-screen thermostat remote

See *Accessories*, page 33.

## LOCAL CODES

Install and use fireplace with care. Follow all local codes. In the absence of local codes, use the latest edition of *The National Fuel Gas Code ANSI Z223.1/NFPA 54\**.

\*Available from:

American National Standards Institute, Inc.  
1430 Broadway  
New York, NY 10018

National Fire Protection Association, Inc.  
Batterymarch Park  
Quincy, MA 02269

## LOCAL CODES

*Continued*

**State of Massachusetts:** The installation must be made by a licensed plumber or gas fitter in the Commonwealth of Massachusetts.

Sellers of unvented propane or natural gas-fired supplemental room heaters shall provide to each purchaser a copy of 527 CMR 30 upon sale of the unit.

Vent-free gas products are prohibited for bedroom and bathroom installation in the Commonwealth of Massachusetts.

## PRODUCT FEATURES

### SAFETY PILOT

This fireplace has a pilot with an Oxygen Depletion Sensing (ODS) safety shutoff system. The ODS/pilot is a required feature for vent-free room fireplaces. The ODS/pilot shuts off the fireplace if there is not enough fresh air.

### PIEZO IGNITION SYSTEM

This fireplace has a piezo ignitor. This system requires no matches, batteries, or other sources to light fireplace.

## UNPACKING

1. Remove fireplace and hood from carton. Log is wrapped and inside fireplace. Do not remove at this time.
2. Remove all protective packaging applied to fireplace for shipment.
3. Make sure your fireplace includes one hardware packet.
4. Check fireplace for any shipping damage. If heater is damaged call INNOVATIVE HEARTH PRODUCTS at 1-800-655-2008 for replacement parts before returning to dealer.

## ASSEMBLY

**WARNING:** Always have branch support and screen in place before operating fireplace. This prevents excessive temperatures on fireplace surfaces.

**WARNING:** Failure to position the parts in accordance with these diagrams or failure to use only parts specifically approved with this fireplace may result in property damage or personal injury.

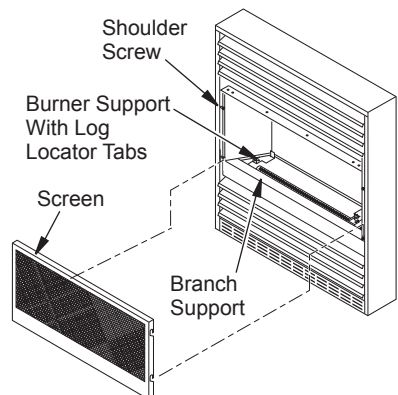
2. Cut two plastic straps to remove the log from the firebox cavity.
3. An optional blower is available. See *Accessories*, page 33. Install optional blower now. Follow installation instructions provided with blower or (see page 14).
4. Locate four black phillips sheet metal screws from the hardware packet.
5. Rotate hood as shown in Figure 3. Make sure hood tabs point toward fireplace.
6. Insert hood tabs between baffle and louvers (see Figure 3, page 6).

### ASSEMBLING FIREPLACE

Tools Required:

- Phillips screwdriver
- 5/16" hex wrench
- slotted screwdriver
- scissors

1. Remove two screws that hold fireplace screen in place for shipping. These screws are located near top of screen. Discard screws. Lift fireplace screen up and pull out to remove. Set screen aside until installation has been completed.



**Figure 2 - Removing Screen**

## ASSEMBLY

### Continued

7. Gently rotate hood to upright position. Make sure hood tabs are behind louvers and hood is resting on firebox top (see Figure 3.).
8. Align screw holes on hood with screw holes on firebox top.
9. Insert screws as shown in Figure 3. Tighten screws firmly.

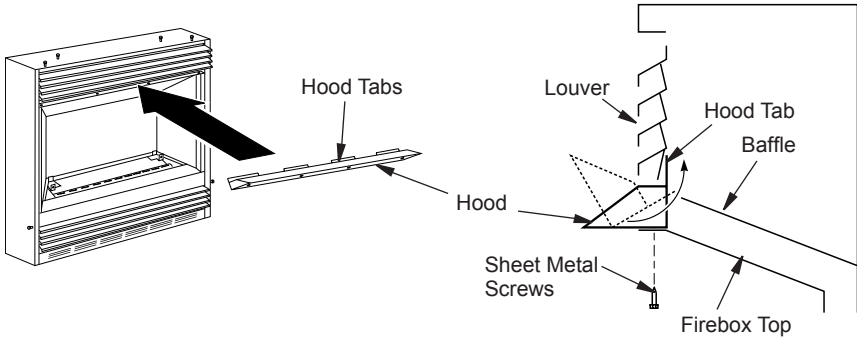


Figure 3 - Assembling Hood

## AIR FOR COMBUSTION AND VENTILATION

**⚠ WARNING:** This heater shall not be installed in a room or space unless the required volume of indoor combustion air is provided by the method described in the *National Fuel Gas Code, ANSI Z223.1/NFPA 54, the International Fuel Gas Code, or applicable local codes. Read the following instructions to insure proper fresh air for this and other fuel-burning appliances in your home.*

Today's homes are built more energy efficient than ever. New materials, increased insulation, and new construction methods help reduce heat loss in homes. Home owners weather strip and caulk around windows and doors to keep the cold air out and the warm air in. During heating months, home owners want their homes as airtight as possible.

While it is good to make your home energy efficient, your home needs to breathe. Fresh air must enter your home. All fuel-burning appliances need fresh air for proper combustion and ventilation.

Exhaust fans, fireplaces, clothes dryers, and fuel burning appliances draw air from the house to operate. You must provide adequate fresh

air for these appliances. This will insure proper venting of vented fuel-burning appliances.

### PROVIDING ADEQUATE VENTILATION

The following are excerpts from *National Fuel Gas Code, ANSI Z223.1/NFPA 54, Air for Combustion and Ventilation*.

All spaces in homes fall into one of the three following ventilation classifications:

1. Unusually Tight Construction
2. Unconfined Space
3. Confined Space

The information on pages 6 through 8 will help you classify your space and provide adequate ventilation.

#### Unusually Tight Construction

The air that leaks around doors and windows may provide enough fresh air for combustion and ventilation. However, in buildings of unusually tight construction, you must provide additional fresh air.

**Unusually tight construction is defined as construction where:**

- a. **walls and ceilings exposed to the outside atmosphere have a continuous water vapor retarder with a rating of one perm ( $6 \times 10^{-11}$  kg per pa-sec- $m^2$ ) or less with openings gasketed or sealed and**
- b. **weather stripping has been added on openable windows and doors and**

# AIR FOR COMBUSTION AND VENTILATION

*Continued*

- c. caulking or sealants are applied to areas such as joints around window and door frames, between sole plates and floors, between wall-ceiling joints, between wall panels, at penetrations for plumbing, electrical, and gas lines, and at other openings.

If your home meets all of these three criteria, you must provide additional fresh air. See [Ventilation Air From Outdoors](#), page 8.

If your home does not meet all of the three criteria above, proceed to [Determining Fresh-Air Flow For Fireplace Location](#), below.

## Confined and Unconfined Space

The *National Fuel Gas Code, ANSI Z223.1/NFPA 54* defines a confined space as a space whose volume is less than 50 cubic feet per 1,000 Btu per hour (4.8 m<sup>3</sup> per kw) of the aggregate input rating of all appliances installed in that space and an unconfined space as a space whose volume is not less than 50 cubic feet per 1,000 Btu per hour (4.8 m<sup>3</sup> per kw) of the aggregate input rating of all appliances installed in that space. Rooms communicating directly with the space in which the appliances are installed\*, through openings not furnished with doors, are considered a part of the unconfined space.

\* Adjoining rooms are communicating only if there are doorless passageways or ventilation grills between them.

## DETERMINING FRESH-AIR FLOW FOR FIREPLACE LOCATION

### Determining if You Have a Confined or Unconfined Space

Use this work sheet to determine if you have a confined or unconfined space.

**Space:** Includes the room in which you will install fireplace plus any adjoining rooms with doorless passageways or ventilation grills between the rooms.

- Determine the volume of the space (length x width x height).  

$$\text{Length} \times \text{Width} \times \text{Height} = \underline{\hspace{2cm}} \text{ cu. ft.}$$
 (volume of space)  
*Example:* Space size 16 ft. (length) x 14 ft. (width) x 8 ft. (ceiling height) = 1792 cu. ft. (volume of space)  
 If additional ventilation to adjoining room

is supplied with grills or openings, add the volume of these rooms to the total volume of the space.

- Multiply the space volume by 20 to determine the maximum Btu/Hr the space can support.

$$\underline{\hspace{2cm}} \text{ (volume of space)} \times 20 = \text{(Maximum Btu/Hr the space can support)}$$

*Example:* 1792 cu. ft. (volume of space) x 20 = 35,840 (maximum Btu/Hr the space can support)

- Add the Btu/Hr of all fuel burning appliances in the space.

Vent-free fireplace	<u>                    </u>	Btu/Hr
Gas water heater*	<u>                    </u>	Btu/Hr
Gas furnace	<u>                    </u>	Btu/Hr
Vented gas heater	<u>                    </u>	Btu/Hr
Gas fireplace logs	<u>                    </u>	Btu/Hr
Other gas appliances*	+ <u>                    </u>	Btu/Hr
Total	= <u>                    </u>	Btu/Hr

\* Do not include direct-vent gas appliances. Direct-vent draws combustion air from the outdoors and vents to the outdoors.

*Example:*

Gas water heater	<u>                    </u>	Btu/Hr
Vent-free fireplace	+ <u>30,000</u>	Btu/Hr
Total	= <u>40,000</u>	Btu/Hr

- Compare the maximum Btu/Hr the space can support with the actual amount of Btu/Hr used.

                     Btu/Hr (maximum the space can support)

                     Btu/Hr (actual amount of Btu/Hr used)

*Example:* 35,840 Btu/Hr (maximum the space can support)  
 40,000 Btu/Hr (actual amount of Btu/Hr used)

The space in the example on the previous page is a confined space because the actual Btu/Hr used is more than the maximum Btu/Hr the space can support. You must provide additional fresh air. Your options are as follows:

- Rework worksheet, adding the space of an adjoining room. If the extra space provides an unconfined space, remove door to adjoining room or add ventilation grills between rooms. See [Ventilation Air From Inside Building](#), page 8
- Vent room directly to the outdoors. See [Ventilation Air From Outdoors](#).

# AIR FOR COMBUSTION AND VENTILATION

Continued

C. Install a lower Btu/Hr fireplace, if lower Btu/Hr size makes room unconfined.

If the actual Btu/Hr used is less than the maximum Btu/Hr the space can support, the space is an unconfined space. You will need no additional fresh air ventilation.

**⚠ WARNING:** If the area in which the heater may be operated does not meet the required volume for indoor combustion air, combustion and ventilation air shall be provided by one of the methods described in the *National Fuel Gas Code, ANSI Z223.1/NFPA 54*, the *International Fuel Gas Code*, or applicable local codes.

## VENTILATION AIR

### Ventilation Air From Inside Building

This fresh air would come from an adjoining unconfined space. When ventilating to an adjoining unconfined space, you must provide two permanent openings: one within 12" of the ceiling and one within 12" of the floor on the wall connecting the two spaces (see options 1 and 2, Figure 4). You can also remove door into adjoining room (see option 3, Figure 4). Follow the *National Fuel Gas Code, ANSI Z223.1/NFPA 54, Air for Combustion and Ventilation* for required size of ventilation grills or ducts.

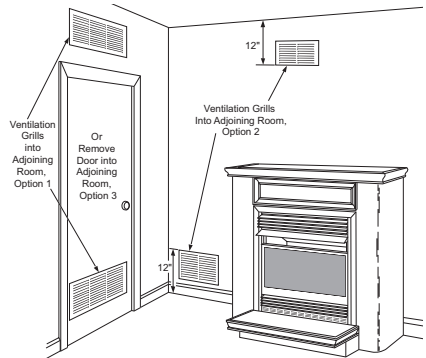


Figure 4 - Ventilation Air from Inside Building

### Ventilation Air From Outdoors

Provide extra fresh air by using ventilation grills or ducts. You must provide two permanent openings: one within 12" of the ceiling and one within 12" of the floor. Connect these items directly to the outdoors or spaces open to the outdoors. These spaces include attics and crawl spaces. Follow the *National Fuel Gas Code, ANSI Z223.1/NFPA 54, Air for Combustion and Ventilation* for required size of ventilation grills or ducts.

**IMPORTANT:** Do not provide openings for inlet or outlet air into attic if attic has a thermostat-controlled power vent. Heated air entering the attic will activate the power vent.

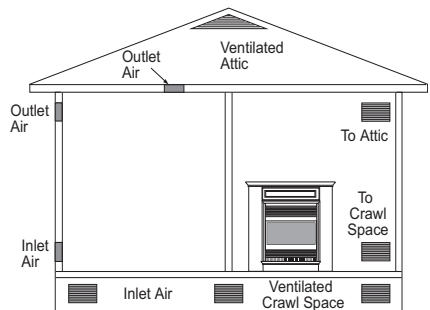


Figure 5 - Ventilation Air from Outdoors



## INSTALLATION

**NOTICE:** This heater is intended for use as supplemental heat. Use this heater along with your primary heating system. Do not install this heater as your primary heat source. If you have a central heating system, you may run system's circulating blower while using heater. This will help circulate the heat throughout the house. In the event of a power outage, you can use this heater as your primary heat source.

**⚠ WARNING:** A qualified service person must install fireplace. Follow all local codes.

**⚠ WARNING:** Never install the fireplace

- in a bathroom or bedroom
- in a recreational vehicle
- where curtains, furniture, clothing, or other flammable objects are less than 36" from the front, top, or sides of the fireplace
- as a fireplace insert
- in high traffic areas
- in windy or drafty areas

**⚠ CAUTION:** This fireplace creates warm air currents. These currents move heat to wall surfaces next to fireplace. Installing fireplace next to vinyl or cloth wall coverings or operating fireplace where impurities (such as, but not limited to, tobacco smoke, aromatic candles, cleaning fluids, oil or kerosene lamps, etc.) in the air exist, may discolor walls or cause odors.

**IMPORTANT:** Vent-free fireplaces add moisture to the air. Although this is beneficial,

installing fireplace in rooms without enough ventilation air may cause mildew to form from too much moisture. See [Air for Combustion and Ventilation](#), page 6.

*Note:* Your fireplace is designed to be used in zero clearance installations. Wall or framing material can be placed directly against any exterior surface on the rear, sides, or top of your fireplace, except where standoff spacers are integrally attached. If standoff spacers are attached to your fireplace, these spacers can be placed directly against wall or framing materials.

*Note:* When installing fireplace directly on carpeting, tile or other combustible material, other than wood flooring, the fireplace shall be installed on a metal or wood panel extending the full width and depth of the fireplace.

Use the dimensions shown for rough openings to create the easiest installation (see [Built-In Fireplace Installation](#), page 10).

### CHECK GAS TYPE

Use the correct gas type (natural or propane/LP) for your unit. If your gas supply is not correct, do not install fireplace. Call dealer where you bought fireplace for proper type fireplace.

**⚠ WARNING:** This appliance is equipped for either natural gas or propane/LP gas but not both. Gas type is indicated on the rating plate. Field conversion is not permitted.

### INSTALLATION ITEMS

Before installing fireplace, make sure you have the items listed below.

- external regulator (supplied by installer, for propane/LP units only)
- piping (check local codes)
- sealant (resistant to propane/LP gas)
- equipment shutoff valve \*
- test gauge connection\*
- ground joint union
- sediment trap
- tee joint
- pipe wrench

\* An equipment shutoff valve with 1/8" NPT tap is an acceptable alternative to test gauge connection. Purchase the optional equipment shutoff valve from your dealer.

*Note:* If desired, purchase a three-sided trim kit for built-in installations. See [Accessories](#), page 33.

# INSTALLATION

Continued

## FIREPLACE CLEARANCES

**⚠ WARNING:** Maintain the minimum clearances shown in Figure 6. If you can, provide greater clearances from floor, ceiling, and joining wall.

If your fireplace is to be used with an optional mantel, the installation instructions included with your mantel shows an approved method of attaching the fireplace/mantel system to a wall. **IMPORTANT:** Only use optional cabinet or corner mantels specified in this manual. Purchase the optional mantel from your dealer (see [Accessories](#), page 33).

If your fireplace is to be recessed into the wall, see [Built-In Fireplace Installation](#) to secure your fireplace into the wall.

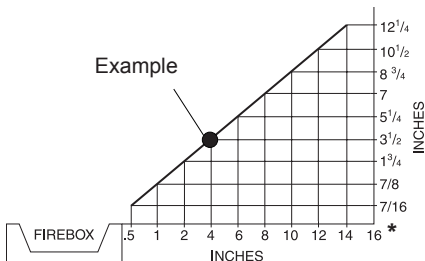
**⚠ CAUTION:** If you install the fireplace in a home garage

- fireplace pilot and burner must be at least 18" above floor.
- locate fireplace where moving vehicle will not hit it.

For convenience and efficiency, install fireplace

- where there is easy access for operation, inspection, and service
- in coldest part of room

An optional blower kit is available from your dealer. See [Accessories](#), page 33. If planning to use blower, follow instructions provided with blower for power source.



\*Minimum 16" from Side Wall

**Figure 6 - Minimum Clearance for Combustible to Wall**

## Minimum Clearances For Side Combustible Material, Side Wall, and Ceiling

A. Clearances from the side of the fireplace cabinet to any combustible material and wall should follow diagram in Figure 6.

*Example:* The face of a mantel, bookshelf, etc. is made of combustible material and protrudes 3 1/2" from the wall. This combustible material must be 4" from the side of the fireplace opening (see Figure 6).

B. Clearances from the top of the fireplace opening to the ceiling should not be less than 36".

C. For mantel clearances, see Figure 10 on page 12.

MINIMUM CLEARANCE TO COMBUSTIBLE MATERIALS		
Top	Left and Right Sides	Bottom and Rear
36"	6"	0"

## BUILT-IN FIREPLACE INSTALLATION

Built-in installation of this fireplace involves installing fireplace into a framed-in enclosure. This makes the front of fireplace flush with wall. An optional trim kit accessory is available (see [Accessories](#), page 33). Trim will extend past sides of fireplace approximately 1/2". This will cover the rough edges of the wall opening. If installing a built-in mantel above the fireplace, you must follow the clearances shown in Figure 10, page 12. Follow the instructions below to install the fireplace in this manner.

	Actual	Framing
Height	26"	26 7/8"
Front Width	26 3/4"	26 7/8"
Depth	9 1/2"	10 1/2"
Bottom	3/4"	3/4"

1. Frame in rough opening. Use dimensions shown in Figure 7, page 11 for the rough opening. If installing in a corner, use dimensions shown in Figure 8, page 11 for the rough opening. The height is 26 7/8" which is the same as the wall opening above.
2. If installing GA3450TA blower accessory, do so at this time. Follow instructions included with blower accessory.

# INSTALLATION

## Continued

*Note: If not installing blower accessory, you may wish to run electrical wiring to your fireplace for future blower installation (see Accessories, page 33). Use only approved three-wire electrical wiring.*

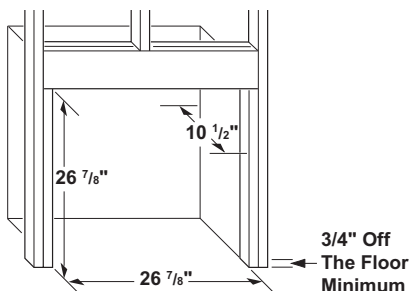
*Note: A qualified installer should make all electrical connections.*

**⚠ WARNING: If pre-wiring, do not connect wiring to any electrical source at this time.**

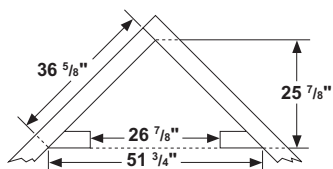
**Install fireplace electrical outlet and connect wiring to outlet before connecting to electrical source. The fireplace electrical outlet is included with the GA3450TA blower accessory.**

**Only use the fireplace electrical outlet supplied with the GA3450TA blower accessory.**

3. Install gas piping to fireplace location. This installation includes an approved flexible gas line (if allowed by local codes) after the equipment shutoff valve. The flexible gas line must be the last item installed on the gas piping.



**Figure 7 - Rough Opening for Installing in Wall**

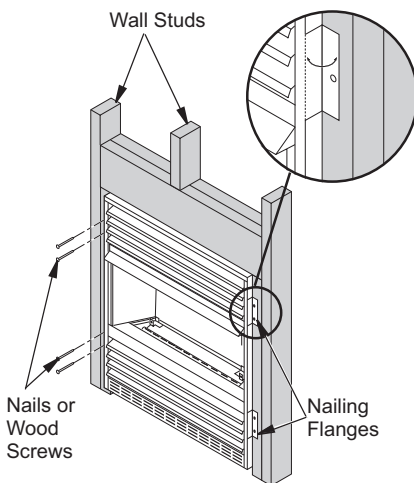


**Figure 8 - Rough Opening for Installing in Corner**

4. If you have not assembled firebox, follow instructions beginning on page 5.
5. Carefully set fireplace in front of rough opening with back of fireplace inside wall opening.
6. Attach flexible gas line to fireplace gas regulator. See Connecting Fireplace to Gas Supply, page 17.
7. Bend four nailing flanges on outer casing with pliers (see Figure 9).
8. Attach fireplace to wall studs using nails or wood screws through holes in nailing flange.
9. Check all gas connections for leaks. See Checking Gas Connections, page 19.
10. If using optional trim kit, install the trim after final finishing and/or painting of wall. See instructions included with trim accessory for attaching trim.

**IMPORTANT:** When finishing your firebox, combustible materials such as wall board, gypsum board, sheet rock, drywall, plywood, etc. may be butted up next to the sides and top edge of the firebox. Combustible materials should never overlap the firebox front facing.

**⚠ WARNING: Do not allow any combustible or noncombustible materials to overlap the firebox front facing.**



**Figure 9 - Attaching Fireplace to Wall Studs**

# INSTALLATION

Continued

**⚠ WARNING:** Do not allow noncombustible materials to cover any necessary openings like louvered slots.

**⚠ WARNING:** Never modify or cover the louvered slots on the front of the firebox.

## Mantel Clearances for Built-In Installation

If placing mantel above built-in fireplace, you must meet minimum clearance between mantel shelf and top of fireplace opening.

**NOTICE:** Surface temperatures of adjacent walls and mantels become hot during operation. Walls and mantels above the firebox may become hot to the touch. If installed properly, these temperatures meet the requirement of the national product standard. Follow all minimum clearances shown in this manual.

**NOTICE:** If your installation does not meet the minimum clearances shown in Figure 10, you must do one of the following:

- raise the mantel to an acceptable height
- remove the mantel

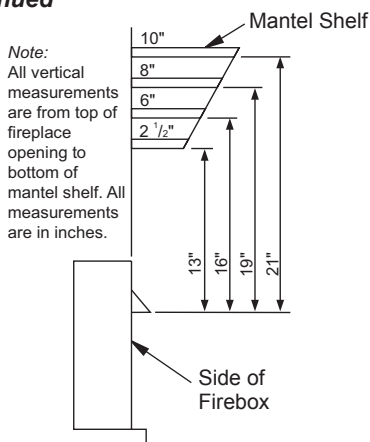


Figure 10 - Minimum Mantel Clearances for Built-In Installation

## OPTIONAL MANTEL INSTALLATION

Refer to instructions provided with the mantel for assembly instructions. Refer to the following instructions for system installation. Refer to instructions on page 6 for hood assembly. Blower accessory should be installed prior to mantel if it is being used (see *Installing Optional Blower Accessory GA3450TA*, page 14).

1. Assemble cabinet mantel as shown in accessory instruction sheet.
2. If blower is installed, install a properly grounded, 120 volt three-prong electrical outlet at fireplace location if an outlet is not there. If possible, locate outlet so cabinet mantel will cover it when installed (see Figure 11).
3. Place hearth base against wall at installation location. Cut an access hole in hearth base to run gas line to fireplace (see Figure 11). Make sure to locate access hole so cabinet mantel will cover it when installed.

Note: You can secure base to floor using wood screws. Countersink screw heads and putty over.

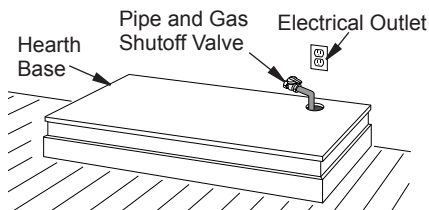
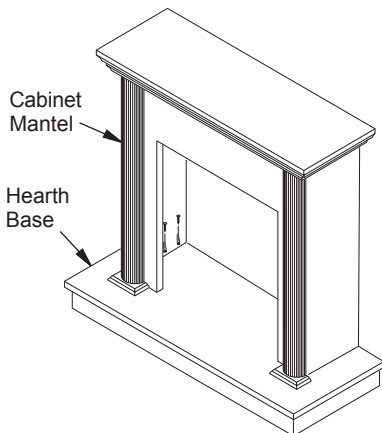


Figure 11 - Placing Hearth Base Against Wall

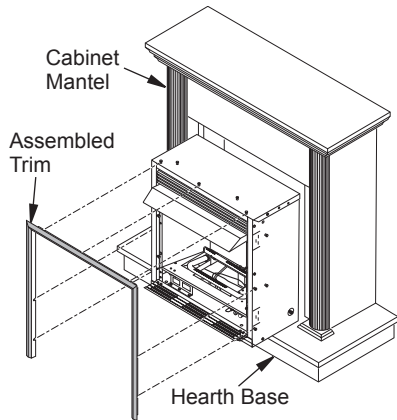
# INSTALLATION

*Continued*

4. Route flexible gas line through access hole in hearth base.
5. Center cabinet mantel on hearth base (see Figure 12). Make sure mantel is flush against wall and centered left to right on base.
6. Use screws provided with mantel accessory to attach mantel assembly to base (see mantel instruction sheet).
7. Attach flexible gas line to fireplace gas regulator. See [Connecting to Gas Supply](#), page 17.
8. Route electrical cord(s) through access holes in either side of fireplace with bushing. Plug electrical cord(s) into electrical outlet.
9. Check all gas connections for leaks. See [Checking Gas Connections](#), page 19.
10. Carefully insert fireplace into cabinet mantel (see Figure 13). Be careful not to scratch or damage hearth base or cabinet mantel.
11. Place metal trim on shoulder screws located on the side and top of the fireplace (see [Assembling Perimeter Trim](#)). Firmly snap trim over shoulder screws. Align fireplace in mantel assembly so the trim overlaps mantel evenly on all three sides.
12. Lower bottom louver door. Use 3" wood screws provided with mantel accessory to attach fireplace to base (see mantel instruction sheet).



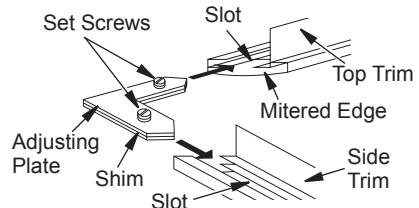
**Figure 12 - Installing Cabinet Mantel onto Hearth Base**



**Figure 13 - Installing Fireplace into Mantel Assembly**

## Assembling Perimeter Trim

1. Remove packaging from three remaining pieces of trim.
2. Locate two adjusting plates with set screws, and two shims in the hardware packet.
3. Align shim under adjusting plate as shown in Figure 14.
4. Slide one end of adjusting plate/shim in slot on mitered edge of top trim (see Figure 14).
5. Slide other end of adjusting plate/shim in slot on mitered edge of side trim (see Figure 14).
6. While firmly holding edges of trim together, tighten both set screws on the adjusting plate with slotted screwdriver.
7. Repeat steps 1 through 6 for other corner.
8. Set assembly aside for later installation.



**Figure 14 - Assembling Perimeter Trim**

# INSTALLATION

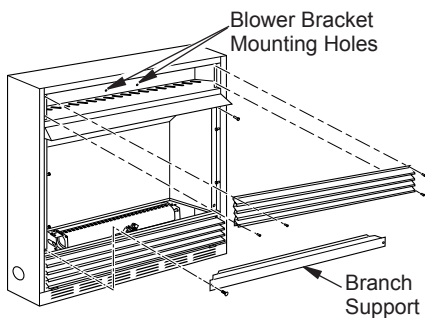
*Continued*

## INSTALLING OPTIONAL BLOWER ACCESSORY GA3450TA

### Removing Upper Louver Assembly and Branch Support

To install the blower accessory, you must first remove the upper louver assembly.

1. Lift screen off fireplace and remove log set if installed.
2. Remove 2 screws from each side of branch support and pull branch support out (see Figure 15).
3. Remove 4 screws from upper louver assembly (see Figure 15). Save these screws.
4. Pull upper louver assembly straight out from the cabinet. Be careful not to scratch the paint. Set louver assembly and screws aside.
5. Open lower louver door by swinging door down (see Figure 15).



**Figure 15 - Removing Top Louver and Branch Support**

### Installing Blower Accessory

**⚠ CAUTION: Label all wires prior to disconnection when servicing controls. Wiring errors can cause improper and dangerous operation.**

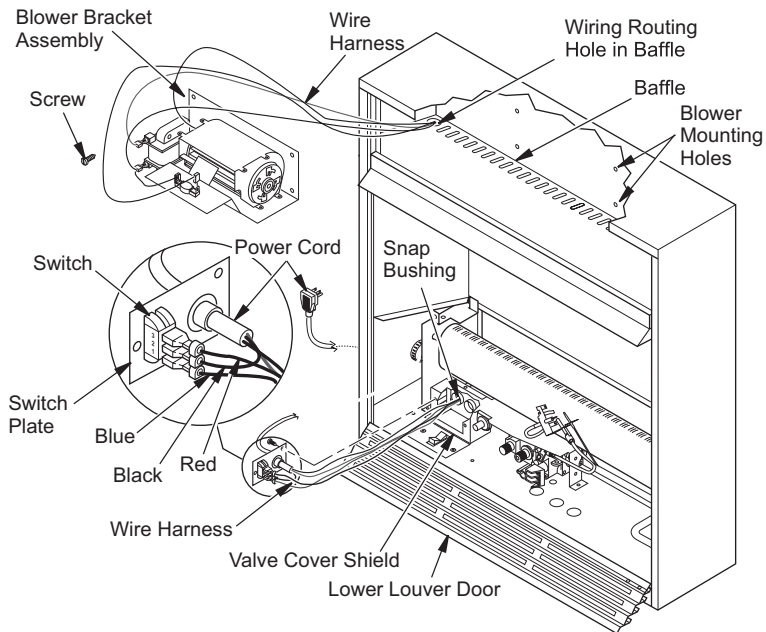
**⚠ CAUTION: Verify proper operation after servicing.**

*Note:* If you are using a mantel with your fireplace, use the following instructions. If your fireplace is built-in, see [For Built-In Installation](#), page 16.

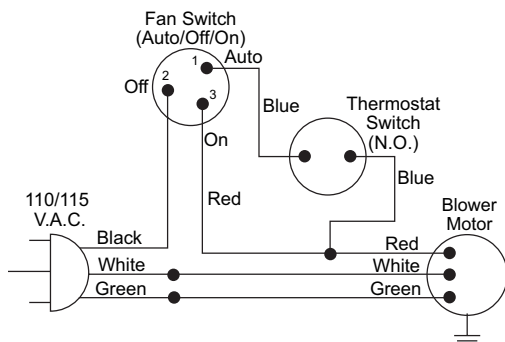
1. Install snap bushings found in hardware kit into both holes in rear of valve cover shield.
2. Make sure the wire harness is firmly connected to the terminals on the blower bracket assembly.
3. Note the wire locations on back of AUTO/OFF/ON switch. The terminals on back of switch are numbered 1, 2, and 3. Carefully remove red wire from terminal 3 and blue wire from terminal 1. Black wire can remain on middle terminal 2 (see Figure 16, page 15).
4. Carefully disconnect green and white wires at their insulated connectors (see Figure 17, page 15).
5. In top of the fireplace cabinet, locate the four mounting holes on the outer casing. Align these four holes with those on the blower bracket assembly. Attach blower bracket assembly to the outer casing with 4 #10 screws provided (see Figure 16, page 15).
6. Route the wire harness through the hole in left side of baffle. Pull wire harness through lower opening on the side of the valve cover shield (see Figure 16, page 15).
7. Insert the 4 wire harnesses into one of the round holes in the rear of the valve cover shield and through the rectangular hole in the front of shield (see Figure 16, page 15).
8. Reconnect red wire to switch position 3. Reconnect blue wire to switch position 1. Reconnect green and white wires.
9. Install the switch plate on the valve cover shield with 2 #10 screws provided (see Figure 18, page 15). Route power cord out of the cabinet by inserting it through the bushing on the outer casing (see Figure 16, page 15). Plug fan kit into 120-Volt grounded power supply and test operation.  
*Note: When switch is in the AUTO position, the fan will start after the fireplace has run for a few moments. The fan will continue to run for several moments after the fireplace has been turned off. When switch is in the ON position, the fan will run until turned to OFF. Reinstall upper louver assembly (see Figure 15) and branch support. Close lower louver door.*

# INSTALLATION

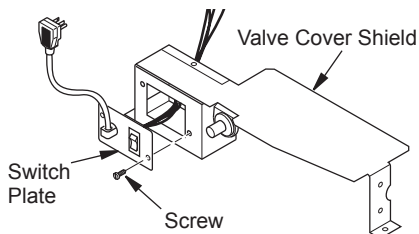
*Continued*



**Figure 16 - Installing Blower Bracket Assembly**



**Figure 17 - Wiring Diagram For Blower Accessory Standard Installation**



**Figure 18 - Installing Switch Plate to Valve Cover Shield**

# INSTALLATION

Continued

## For Built-In Installation

**WARNING:** A licensed electrician must connect the wiring harness to electrical supply following all local codes. Electrician must provide a clamp on the box cover to secure the wiring. Wiring should be routed through the bushing in the hole on the outer casing of fireplace.

1. Install a snap bushing found in hardware kit into one of the holes on rear of valve cover shield. The other hole is for a strain relief clamp (not supplied) to secure incoming electrical supply.

2. Follow steps 2 through 6 in *Installing Blower Accessory*, page 14.
3. A licensed electrician must follow the wiring diagram to connect incoming electrical supply to fan kit wiring harness (see Figure 19).
4. Plug power cord to the outlet receptacle (not provided) as shown in Figure 20. Wind the extra power cord and tie with plastic wire strap (see Figure 20). Set the power cord bundle between the burner bracket and outer casing, away from the burner.
5. Test to make sure the blower is working properly.
6. Reinstall upper louver assembly (see Figure 15, page 14) and close lower louver.

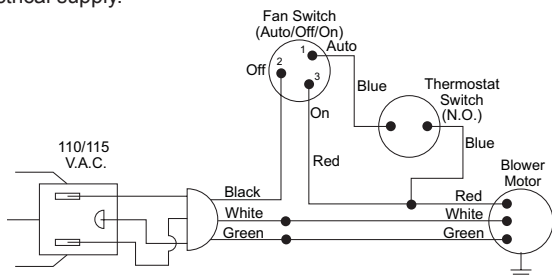


Figure 19 - Wiring Diagram For Blower Accessory Built-In Installation

## Extension Cord

Use extension cord if needed. The cord must have a three-prong, grounding plug and a three-hole receptacle. Make sure cord is in good shape. It must be heavy enough to carry the current needed. An undersized cord will cause a drop in line voltage. This will result in loss of power and overheating. Use a No. 16 AWG cord for lengths less than 50 feet.

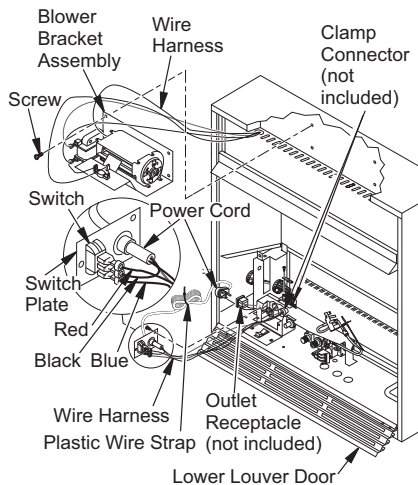


Figure 20 - Installing Blower Bracket Assembly



# INSTALLATION

Continued

## CONNECTING TO GAS SUPPLY

**⚠ WARNING:** This appliance requires a 45° male flare fitting 5/8"-18 UNF (Unified National Fine Thread) inlet connection and the flexible gas line provided.

**⚠ WARNING:** A qualified service person must connect fireplace to gas supply. Follow all local codes.

**⚠ WARNING:** Never connect natural gas fireplace to private (non-utility) gas wells. This gas is commonly known as wellhead gas.

*IMPORTANT:* For natural gas, check gas line pressure before connecting fireplace to gas line. Gas line pressure must be no greater than 14" of water. If gas line pressure is higher, heater regulator damage could occur.

**⚠ CAUTION:** Never connect propane/LP fireplace directly to the propane/LP supply. This fireplace requires an external regulator (not supplied). Install the external regulator between the fireplace and propane/LP supply.

For propane/LP units, the installer must supply an external regulator. The external regulator will reduce incoming gas pressure. You must reduce incoming gas pressure to between 11" and 14" of water. If you do not reduce incoming gas pressure, fireplace regulator damage could occur. Install external regulator with the vent pointing down as shown in Figure 21. Pointing the vent down protects it from freezing rain or sleet.

**⚠ CAUTION:** Use only new, black iron or steel pipe. Internally-tinned copper tubing may be used in certain areas. Check your local codes. Use pipe of 1/2" or greater diameter to allow proper gas volume to fireplace. If pipe is too small, undue loss of volume will occur.

Installation must include an equipment shutoff valve, union, and plugged 1/8" NPT tap. Locate NPT tap within reach for test gauge hook up. NPT tap must be upstream from heater (see Figure 22, page 18).

*IMPORTANT:* Install equipment shutoff valve in an accessible location. The equipment shutoff valve is for turning on or shutting off the gas to the appliance.

Check your building codes for any special requirements for locating equipment shutoff valve to fireplaces.

Apply pipe joint sealant lightly to male NPT threads. This will prevent excess sealant from going into pipe. Excess sealant in pipe could result in clogged fireplace valves.

**⚠ WARNING:** Use pipe joint sealant that is resistant to liquid petroleum (LP) gas.

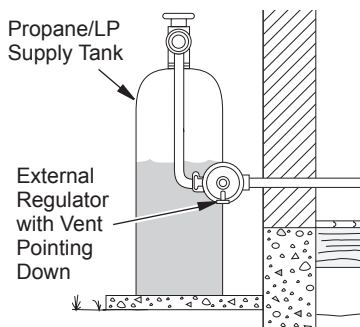
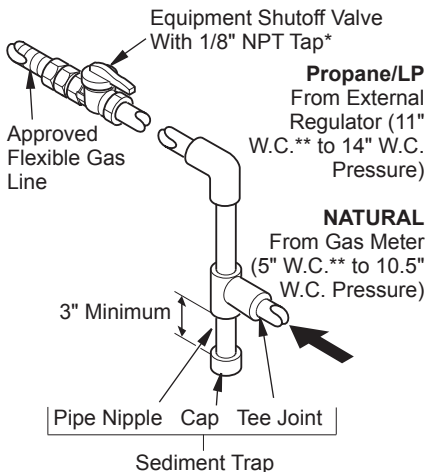


Figure 21 - External Regulator With Vent Pointing Down

# INSTALLATION

## Continued

We recommend that you install a sediment trap in supply line as shown in Figure 22. Locate sediment trap where it is within reach for cleaning. Install in piping system between fuel supply and heater. Locate sediment trap where trapped matter is not likely to freeze. A sediment trap traps moisture and contaminants. This keeps them from going into fireplace controls. If sediment trap is not installed or is installed wrong, fireplace may not run properly.



**Figure 22 - Gas Connection**

\* Purchase the optional equipment shutoff valve from your dealer.

### CONNECTING FIREPLACE TO GAS SUPPLY

#### Installation Items Needed

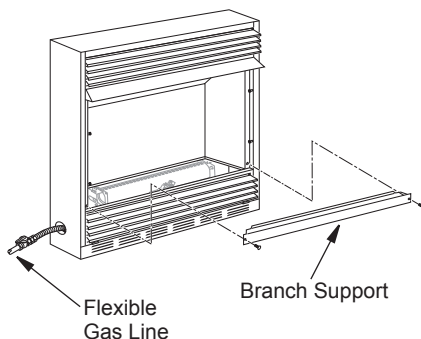
- Phillips screwdriver
  - sealant (resistant to propane/LP gas, not provided)
1. Remove screws that attach branch support to fireplace (see Figure 23). Carefully lift up branch support and remove from fireplace (see Figure 23).

**NOTICE: Most building codes do not permit concealed gas connections. A flexible gas line is provided to allow accessibility from the fireplace (see Figure 23). The flexible gas supply line connection to the equipment shutoff valve should be accessible.**

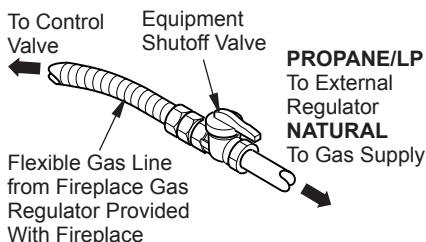
2. Route flexible gas line, included, from fireplace control to equipment shutoff valve through side or rear access holes in outer casing.
3. Apply pipe joint sealant lightly to male threads of gas connector attached to flexible gas line/equipment shutoff valve (see Figure 24).

**⚠ CAUTION: Avoid damage to gas control. Hold gas control with wrench when connecting it to gas piping and/or fittings.**

4. Check all gas connections for leaks. See *Checking Gas Connections*, page 19.
5. Replace branch support back into fireplace. Feed flexible gas line into fireplace base area while replacing branch support. Make sure the entire flexible gas line is in fireplace base area. Reattach branch support to fireplace with screws removed in step 1.



**Figure 23 - Removing Branch Support From Fireplace**



**Figure 24 - Attaching Flexible Gas Line to Equipment Shutoff Valve**

# INSTALLATION

Continued

## CHECKING GAS CONNECTIONS

**⚠ WARNING:** Test all gas piping and connections, internal and external to unit, for leaks after installing or servicing. Correct all leaks at once.

**⚠ WARNING:** Never use an open flame to check for a leak. Apply a noncorrosive leak detection fluid to all joints. Bubbles forming show a leak. Correct all leaks at once.

**⚠ CAUTION:** Make sure external regulator has been installed between propane/LP supply and fireplace. See guidelines under Connecting to Gas Supply, page 17.

2. Pressurize supply piping system by either opening propane/LP supply tank valve for propane/LP gas or opening main gas valve located on or near gas meter for natural gas, or using compressed air.
3. Check all joints from gas meter to equipment shutoff valve for natural gas or propane/LP supply to equipment shutoff valve for propane/LP (see Figures 26 or 27). Apply noncorrosive leak detection fluid to all joints. Bubbles forming show a leak.
4. Correct all leaks at once.

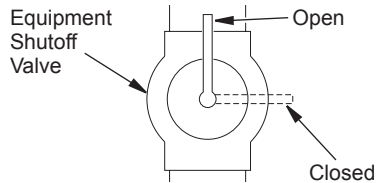


Figure 25 - Equipment Shutoff Valve

## PRESSURE TESTING GAS SUPPLY PIPING SYSTEM

### Test Pressures In Excess Of 1/2 PSIG (3.5 kPa)

1. Disconnect appliance with its appliance main gas valve (control valve) and equipment shutoff valve from gas supply piping system. Pressures in excess of 1/2 psig (3.5 kPa) will damage heater regulator.
2. Cap off open end of gas pipe where equipment shutoff valve was connected.
3. Pressurize supply piping system by either opening propane/LP supply tank valve for propane/LP gas or opening main gas valve located on or near gas meter for natural gas, or using compressed air.
4. Check all joints of gas supply piping system. Apply noncorrosive leak detection fluid to all joints. Bubbles forming show a leak.
5. Correct all leaks at once.
6. Reconnect fireplace and equipment shutoff valve to gas supply. Check reconnected fittings for leaks.

### Test Pressures Equal To or Less Than 1/2 PSIG (3.5 kPa)

1. Close equipment shutoff valve (see Figure 25).

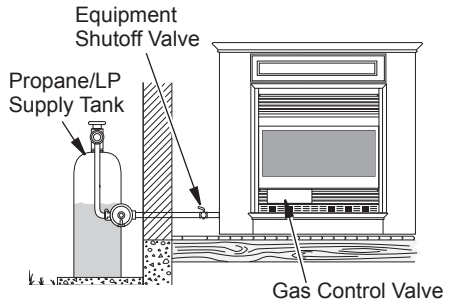


Figure 26 - Checking Gas Joints (Propane/LP Only)

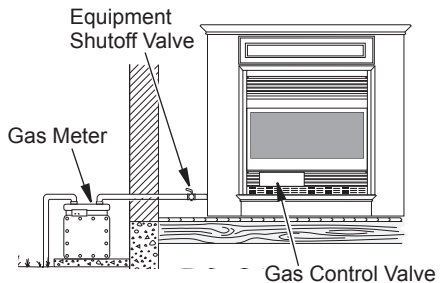


Figure 27 - Checking Gas Joints for Natural Gas (Shown with Optional Mantel)

# INSTALLATION

*Continued*

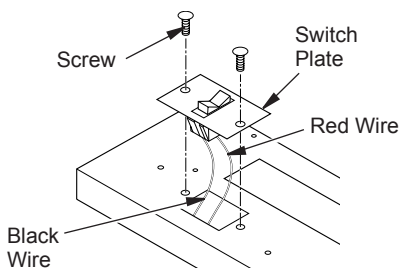
## PRESSURE TESTING FIREPLACE GAS CONNECTIONS

1. Open equipment shutoff valve (see Figure 25, page 19).
2. Open main gas valve located on or near gas meter for natural gas or open propane/LP supply tank valve.
3. Make sure control knob of fireplace is in the OFF position.
4. Check all joints from equipment shutoff valve to gas control valve (see Figures 26 or 27, page 19). Apply noncorrosive leak detection fluid to all joints. Bubbles forming show a leak.
5. Correct all leaks at once.
6. Light fireplace (see *Operation*, page 22). Check all other internal joints for leaks.
7. Turn off fireplace (see *To Turn Off Gas to Appliance*, page 23).

## OPTIONAL WIRELESS HAND-HELD REMOTE CONTROL ACCESSORIES (MRC AND TRC)

### Installing Receiver

1. Remove screws.
2. Disconnect switch wires from control valve.
3. Remove switch plate (see Figure 28). Discard switch plate after removing. Save the screws.
4. Place remote receiver unit onto fireplace base.
5. Connect the wire harness from the receiver to the TH and TH/TP terminals on the valve.
6. For further information see installation instructions provided with remote control kit.



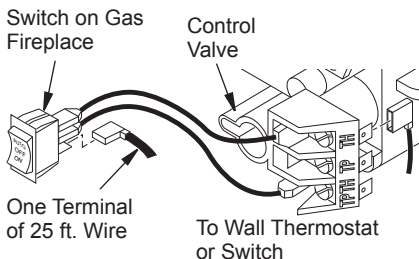
**Figure 28 - Switch Plate and Wiring Harness**

## OPTIONAL WALL MOUNTED THERMOSTAT - GWMT1

**⚠ WARNING: Read and follow installation instructions. Installation should be done by a qualified installer familiar with low-voltage wiring procedures.**

**⚠ WARNING: Do not connect this thermostat to any electrical source! Electrical shock and/or fire hazard will occur.**

1. Connect one terminal of 25 ft. wire to bottom contact of switch (see Figure 29).
2. Connect remaining wire terminal to "TH" terminal on control valve. Make sure that wire terminals are in the positions on your unit as pictured in Figure 29. If wires are not "crossed" thermostat will not work.



**Figure 29 - Connecting Wire Terminals**

3. Route 25 ft. wire to a convenient location to mount your thermostat (no outside wall). **IMPORTANT:** Wire may be shortened but must not be lengthened. Thermostat should be mounted 54" above the floor in a location where there is good air circulation. Avoid heat sources such as lamps, direct sunlight, fireplace, or heat and air conditioning ducts.
4. Gently remove thermostat cover from base. Grasp sides of cover firmly and pull to separate from base.
5. Feed electrical wires through rectangular slots on each side of base (see Figure 30).

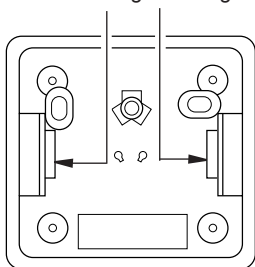
# INSTALLATION

Continued

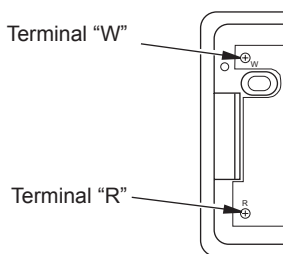
**⚠ WARNING: Do not connect the thermostat to a power source. Electrical shock and/or a fire hazard will occur.**

6. Connect one bare wire end to each terminal ("W" and "R") of the thermostat base (see Figure 31).
7. Install base onto wall with provided screws.

Feed wires through rectangular slots



**Figure 30 - Back View of Thermostat Base**



**Figure 31 - Thermostat Base Terminals "W" and "R"**

8. Move temperature adjustment back and forth to insure bimetal is free from restrictions.
9. Replace cover onto base. (Upon installation, thermostat must be allowed to stabilize at room temperature for a minimum of 30 minutes for proper operation).
10. Set switch on fireplace to Auto position.
11. Set temperature adjustment to desired setting. This thermostat has been electronically calibrated at the factory. No adjustment or leveling is necessary.

## OPTIONAL WALL SWITCH - GWMS2

**⚠ WARNING: Read and follow installation instructions. Installation should be done by a qualified installer familiar with low-voltage wiring procedures.**

**⚠ WARNING: Do not connect this switch to any electrical source! Electrical shock and/or fire hazard will occur.**

1. Connect one terminal of 25 ft. wire to bottom contact of switch (see Figure 29, page 20).
2. Connect remaining wire terminal to "TH" terminal on control valve. Make sure that wire terminals are in the positions on your unit as pictured in Figure 29, page 20. If wires are not "crossed" thermostat will not work.
3. Route 25 ft. wire to a convenient location to mount your wall switch (no outside walls).

**⚠ WARNING: Do not connect the switch to a power source. Electrical shock and/or fire hazard will occur.**

*IMPORTANT:* Wire may be shortened but must not be lengthened.

4. Connect one bare wire end to each of the terminals of provided wall switch.
5. Install wall switch and cover in wall.

## INSTALLATION

*Continued*

### INSTALLING LOG SET AND SCREEN

1. Remove log packaging material and discard packaging. Gently place log on burner support (see Figure 32). Log should fit flat against top of burner support and log locator tabs fit into slots under log. Do not allow log to contact flame. If flame contacts log, soot will be created.
2. Reattach screen by placing notches in screen frame over shoulder screws and pushing down.

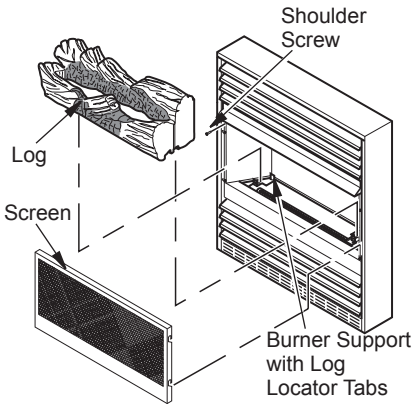


Figure 32 - Installing Log and Screen

## OPERATION

**FOR YOUR SAFETY**

**READ BEFORE LIGHTING**

**⚠ WARNING:** If you do not follow these instructions exactly, a fire or explosion may result causing property damage, personal injury or loss of life.

- A. This appliance has a pilot which must be lighted by hand. When lighting the pilot, follow these instructions exactly.
- B. **BEFORE LIGHTING** smell all around the appliance area for gas. Be sure to smell next to the floor because some gas is heavier than air and will settle on the floor.

## OPERATION

*Continued*

### WHAT TO DO IF YOU SMELL GAS

- Do not try to light any appliance.
  - Do not touch any electric switch; do not use any phone in your building.
  - Immediately call your gas supplier from a neighbor's phone. Follow the gas supplier's instructions.
  - If you cannot reach your gas supplier, call the fire department.
- C. Use only your hand to push in or turn the gas control knob. Never use tools. If the knob will not push in or turn by hand, don't try to repair it, call a qualified service technician or gas supplier. Force or attempted repair may result in a fire or explosion.
  - D. Do not use this appliance if any part has been under water. Immediately call a qualified service technician to inspect the appliance and to replace any part of the control system and any gas control which has been under water.

### LIGHTING INSTRUCTIONS

**⚠ WARNING:** You must operate this fireplace with the fireplace screen in place. Make sure fireplace screen is installed before running fireplace.



**NOTICE:** During initial operation of new fireplace, burning logs will give off a paper-burning smell. Open window to vent smell. This will only last a few hours.

1. STOP! Read the safety information in column 1.
2. Make sure equipment shutoff valve is fully open.
3. Set switch in the OFF position.

**⚠ WARNING:** Burner will come on automatically within one minute when the selector switch is in the ON position after the pilot is lit.

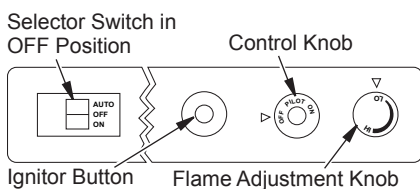
# OPERATION

## Continued

- Press in and turn control knob clockwise  to the OFF position (see Figure 33).
- Wait five (5) minutes to clear out any gas. Then smell for gas, including near the floor. If you smell gas, STOP! Follow "B" in the safety information, column 1. If you don't smell gas, go to the next step.
- Press in and turn control knob counterclockwise  to the PILOT position. Press in control knob for five (5) seconds (see Figure 33).


*Note: You may be running this fireplace for the first time after hooking up to gas supply. If so, the control knob may need to be pressed in for 30 seconds or less. This will allow air to bleed from the gas system.*


- With control knob pressed in, press and release ignitor button. This will light pilot. The pilot is attached to the front burner. If needed, keep pressing ignitor button until pilot lights.



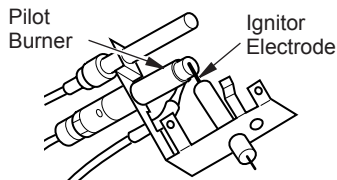
**Figure 33 - Control Knob and Ignitor Button Location (Shown as Supplied - No Control Options)**

*Note: If pilot does not stay lit, contact a qualified service person or gas supplier for repairs. Until repairs are made, light pilot with match. To light pilot with match, see [Manual Lighting Procedure](#), page 24.*

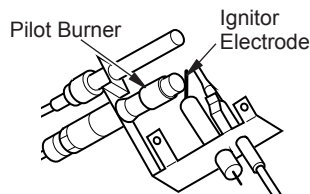
- Keep control knob pressed in for 30 seconds after lighting pilot. After 30 seconds, release control knob.
  - If control knob does not pop out when released, contact a qualified service person or gas supplier for repairs.*Note: If pilot goes out, repeat steps 4 through 8, page 23.*
- Slightly push in and turn control knob counterclockwise  to the ON position.
- Wait one minute and switch selector switch to the ON position to light burner.
- Set flame adjustment knob to any level between HI and LO.

- To shut off burners only and keep pilot lit, you can turn control knob clockwise  to PILOT position, use remote control manual OFF button, or set selector switch in OFF position.

**CAUTION: Do not try to adjust heating levels by using the equipment shutoff valve.**



**Figure 34 - Propane/LP Gas Pilot**




**Figure 35 - Natural Gas Pilot**

**WARNING: Make sure the selector switch is in the OFF position when you are away from home for long periods of time. Fireplace will come on automatically with selector switch in the ON position.**


## TO TURN OFF GAS TO APPLIANCE

### Shutting Off Fireplace

- Turn control knob clockwise  to the OFF position.
- 2a. Set selector switch in the OFF position.
- 2b. If Using Optional Hand-Held Remote: Set selector switch in the OFF position to prevent draining battery.


## OPERATION

### Continued

- To shut off burners only and keep pilot lit, you can turn control knob clockwise  to PILOT position, use remote control manual OFF button, or set selector switch in OFF position.

### Shutting Off Burners Only (pilot stays lit)

You may shut off the burners and keep the pilot lit by doing one of the following:

- Turn control knob clockwise  to the PILOT position.
- Use remote control manual OFF button.
- Set selector switch in the OFF position.

### MANUAL LIGHTING PROCEDURE

- Follow steps 1 through 6 under [Lighting Instructions](#), page 22.
- Depress control knob and light pilot with match.
- Keep control knob pressed in for 30 seconds after lighting pilot. After 30 seconds, release control knob. Now follow steps 9 through 11, [Lighting Instructions](#), page 22.

### OPTIONAL HAND-HELD REMOTE OPERATION

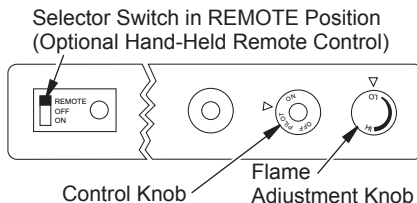
*Note: All remote control accessories must be purchased separately (see [Accessories](#), page 33). Follow instructions included with the remote control.*

**NOTICE: You must light the pilot before using the hand-held remote control unit. See [Lighting Instructions](#) on page 22.**

After lighting, let pilot flame burn for about one minute. Turn control knob to ON position. Adjust flame adjustment knob anywhere between HI and LO. Slide the selector switch to the REMOTE position (see Figure 36).

*Note: The burner may light if hand-held remote was on when selector switch was last turned off. You can now turn the burner on and off with the hand-held remote control unit.*

**IMPORTANT:** Do not leave selector switch in REMOTE or ON position when pilot is not lit. This will drain the battery.



**Figure 36 - Setting the Selector Switch, Control Knob, and Flame Adjustment Knob for Hand-Held Remote Operation**

### GWMT1 WALL MOUNTED THERMOSTAT (OPTIONAL)

Make sure heater switch is on AUTO and set temperature adjustment on wall thermostat to desired setting. Thermostat has been electronically calibrated at the factory and requires no adjustment or leveling.

Upon installation, thermostat must be allowed to stabilize at room temperature for a minimum of 30 minutes for proper operation. See installation instructions on page 20 of this manual.

### GWMS2 WALL MOUNTED SWITCH (OPTIONAL)

Make sure heater switch is on AUTO. This wall switch works just like the conventional light switch. Flip switch up for on and down for off.

*Note: Make sure that this switch is not in a position to be mistaken for a light switch. This may result in fireplace being inadvertently turned on without proper precautions being taken. See installation instructions on page 21 of this manual.*

### OPERATING BLOWER (OPTIONAL)

This blower has three settings: ON, OFF, and AUTO. In ON position, blower will operate constantly. In OFF position, blower will not operate. In AUTO position, blower will start when thermostat senses a sufficient increase in firebox temperature.

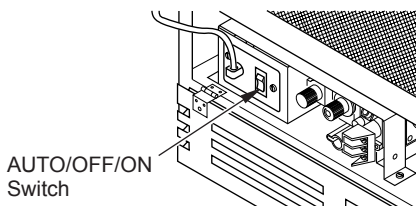
*Note: Your fireplace and thermostat blower will not turn on and off at the same time. Fireplace may run for several minutes before blower turns on. After heater modulates to pilot position, blower will continue to run. The blower will shut off after firebox temperature decreases.*



## OPERATION

### Continued

*Note: It is safe to operate fireplace with blower turned off. However, blower helps distribute heated air from fireplace.*



**Figure 37 - AUTO/OFF/ON Blower Switch**

## INSPECTING BURNERS

Check pilot flame pattern and burner flame patterns often.

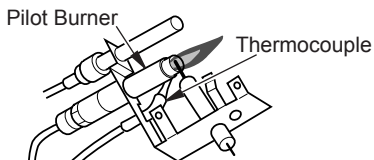
### PILOT FLAME PATTERN

Figure 38 shows a correct pilot flame pattern. Figure 39 shows an incorrect pilot flame pattern. The incorrect pilot flame is not touching the thermocouple. This will cause the thermocouple to cool. When the thermocouple cools, the fireplace will shut down.

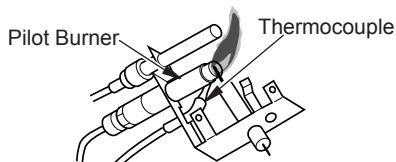
If pilot flame pattern is incorrect, as shown in Figure 39

- turn fireplace off (see [To Turn Off Gas to Appliance](#), page 23)
- see [Troubleshooting](#), page 28.

*Note: The pilot flame on natural gas units will have a slight curve, but flame should be blue and have no yellow or orange color.*



**Figure 38 - Correct Pilot Flame Pattern (Propane/LP Shown)**



**Figure 39 - Incorrect Pilot Flame Pattern (Propane/LP Shown)**

## INSPECTING BURNERS

### Continued

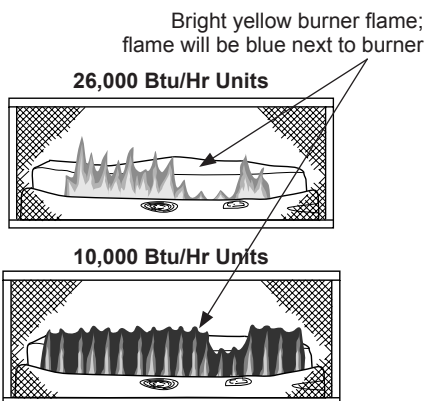
### BURNER FLAME PATTERN

Figure 40 shows a correct burner flame pattern. Figure 41 shows an incorrect burner flame pattern. The incorrect burner flame pattern shows sporadic, irregular flame tipping. The flame should not be dark or have an orange/reddish tinge.

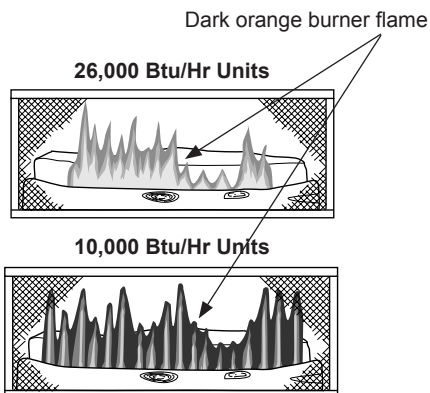
*Note: When using the fireplace the first time, the flame will be orange for approximately one hour until the log cures.*

If burner flame pattern is incorrect, as shown in Figure 41

- turn fireplace off (see [To Turn Off Gas to Appliance](#), page 23).
- see [Troubleshooting](#), page 28.



**Figure 40 - Correct Burner Flame Pattern**



**Figure 41 - Incorrect Burner Flame Pattern**

## CLEANING AND MAINTENANCE

**⚠ WARNING:** Turn off fireplace and let cool before cleaning.

**⚠ CAUTION:** You must keep control areas, burner, and circulating air passageways of fireplace clean. Inspect these areas of fireplace before each use. Have fireplace inspected yearly by a qualified service person. Fireplace may need more frequent cleaning due to excessive lint from carpeting, pet hair, bedding material, etc.

**⚠ WARNING:** Failure to keep the primary air opening(s) of the burner(s) clean may result in sooting and property damage.

### BURNER INJECTOR HOLDER AND PILOT AIR INLET HOLE

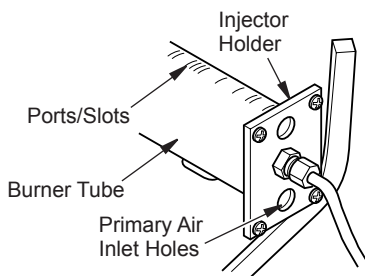
The primary air inlet holes allow the proper amount of air to mix with the gas. This provides a clean burning flame. Keep these holes clear of dust, dirt, lint, and pet hair. Clean these air inlet holes prior to each heating season. Blocked air holes will create soot. We recommend that you clean the unit every three months during operation and have fireplace inspected yearly by a qualified service person.

We also recommend that you keep the burner tube and pilot assembly clean and free of dust and dirt. To clean these parts we recommend using compressed air no greater than 30 PSI. Your local computer store, hardware store, or home center may carry compressed air in a can. If using compressed air in a can, please follow the directions on the can. If you don't follow directions on the can, you could damage the pilot assembly.

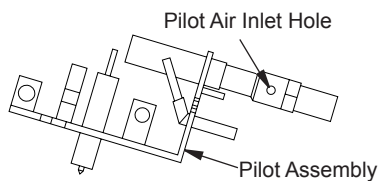
1. Shut off unit, including pilot. Allow unit to cool for at least thirty minutes.
2. Inspect burner, pilot, and primary air inlet holes on injector holder for dust and dirt (see Figure 42).
3. Blow air through ports/slots and holes in burner.

4. Check injector holder located at end of burner tube again. Remove any large particles of dust, dirt, lint, or pet hair with a soft cloth or vacuum cleaner nozzle.
5. Blow air into primary air holes on injector holder.
6. In case any large clumps of dust have now been pushed into burner repeat steps 3 and 4.

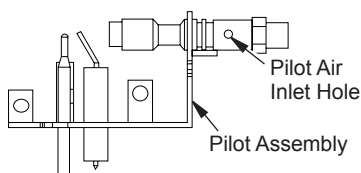
Clean pilot assembly also. A yellow tip on pilot flame indicates dust and dirt in pilot assembly. There is a small pilot air inlet hole about 2" from where pilot flame comes out of pilot assembly (see Figures 43 or 44 depending on model). With unit off, lightly blow air through air inlet hole. You may blow through a drinking straw if compressed air is not available.



**Figure 42 - Injector Holder On Outlet Burner Tube**



**Figure 43 - Pilot Inlet Air Hole (Propane/LP Gas)**



**Figure 44 - Pilot Inlet Air Hole (Natural Gas)**

# CLEANING AND MAINTENANCE

*Continued*

## LOG SET

- If you remove one-piece log set for cleaning, refer to *Installing Log Set and Screen*, page 22, for placement instructions.
- Replace log set if broken or chipped (dime-sized or larger).

## CABINET

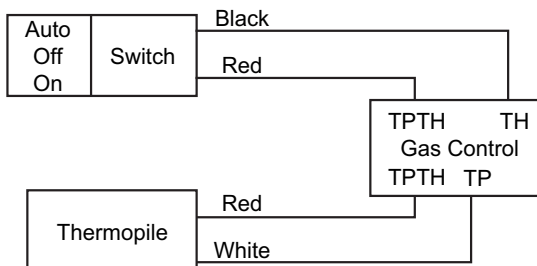
### Air Passageways

Use a vacuum cleaner or pressurized air to clean.

### Exterior

Use a soft cloth dampened with a mild soap and water mixture. Wipe cabinet to remove dust.

## WIRING DIAGRAM



## TROUBLESHOOTING

 **WARNING:** Turn off and unplug fireplace and let cool before servicing. Only a qualified service person should service and repair fireplace.

 **CAUTION:** Never use a wire, needle, or similar object to clean ODS/pilot. This can damage ODS/pilot unit.

*Note: All troubleshooting items are listed in order of operation.*

OBSERVED PROBLEM	POSSIBLE CAUSE	REMEDY
When ignitor button is pressed, there is no spark at ODS/pilot	1. Ignitor electrode not connected to ignitor cable	1. Reconnect ignitor cable
	2. Ignitor cable pinched or wet	2. Free ignitor cable if pinched by any metal or tubing. Keep ignitor cable dry
	3. Broken ignitor cable	3. Replace ignitor cable
	4. Bad piezo ignitor	4. Replace piezo ignitor
	5. Ignitor electrode positioned wrong	5. Replace pilot assembly
	6. Ignitor electrode broken	6. Replace pilot assembly
When ignitor button is pressed, there is spark at ODS/pilot but no ignition	1. Gas supply turned off or equipment shutoff valve closed	1. Turn on gas supply or open equipment shutoff valve
	2. Control knob not in PILOT position	2. Turn control knob to PILOT position
	3. Control knob not pressed in while in PILOT position	3. Press in control knob while in PILOT position
	4. Air in gas lines when installed	4. Continue holding down control knob. Repeat igniting operation until air is removed
	5. Depleted gas supply (propane/LP only)	5. Contact local propane/LP gas company
	6. ODS/pilot is clogged	6. Clean ODS/pilot (see <i>Cleaning and Maintenance</i> , page 26) or replace ODS/pilot assembly
	7. Gas regulator setting is not correct	7. Replace gas regulator

## TROUBLESHOOTING

*Continued*

OBSERVED PROBLEM	POSSIBLE CAUSE	REMEDY
<p>ODS/pilot lights but flame goes out when control knob is released</p>	<ol style="list-style-type: none"> <li>1. Control knob not fully pressed in</li> <li>2. Control knob not pressed in long enough</li> <li>3. Safety interlock system has been triggered</li> <li>4. Equipment shutoff valve not fully open</li> <li>5. Pilot flame not touching thermocouple, which allows thermocouple to cool, causing pilot flame to go out. This problem could be caused by one or both of the following: A) Low gas pressure B) Dirty or partially clogged ODS/pilot</li> <li>6. Thermocouple connection loose at control valve</li> <li>7. Thermocouple damaged</li> <li>8. Control valve damaged</li> </ol>	<ol style="list-style-type: none"> <li>1. Press in control knob fully</li> <li>2. After ODS/pilot lights, keep control knob pressed in 30 seconds</li> <li>3. Wait one minute for safety interlock system to reset. Repeat ignition operation</li> <li>4. Fully open equipment shutoff valve</li> <li>5. A) Contact local natural or propane/LP gas company  B) Clean ODS/pilot (see <u><a href="#">Cleaning and Maintenance</a></u>, page 26) or replace ODS/pilot assembly</li> <li>6. Hand tighten until snug, then tighten 1/4 turn more</li> <li>7. Replace pilot assembly</li> <li>8. Replace control valve</li> </ol>
<p>Burner does not light after ODS/pilot is lit</p>	<ol style="list-style-type: none"> <li>1. Inlet gas pressure is too low</li> <li>2. Burner orifice is clogged</li> <li>3. Thermopile leads disconnected or improperly connected</li> <li>4. Burners will not come on in remote position</li> </ol>	<ol style="list-style-type: none"> <li>1. Contact local natural or propane/LP gas company</li> <li>2. Clean burner (see <u><a href="#">Cleaning and Maintenance</a></u>, page 26) or replace burner orifice</li> <li>3. Reconnect leads (see <u><a href="#">Wiring Diagram</a></u>, page 27)</li> <li>4. Replace battery in handheld remote and receiver</li> </ol>
<p>Delayed ignition of burner</p>	<ol style="list-style-type: none"> <li>1. Manifold pressure is too low</li> <li>2. Burner orifice is clogged</li> </ol>	<ol style="list-style-type: none"> <li>1. Contact local natural or propane/LP gas company</li> <li>2. Clean burner (see <u><a href="#">Cleaning and Maintenance</a></u>, page 26) or replace burner orifice</li> </ol>
<p>Burner backfiring during combustion</p>	<ol style="list-style-type: none"> <li>1. Burner orifice is clogged or damaged</li> <li>2. Damaged burner</li> <li>3. Gas regulator defective</li> <li>4. Inlet gas pressure is too low</li> </ol>	<ol style="list-style-type: none"> <li>1. Clean burner (see <u><a href="#">Cleaning and Maintenance</a></u>, page 26) or replace burner orifice</li> <li>2. Replace damaged burner</li> <li>3. Replace gas regulator</li> <li>4. Contact local natural or propane/LP gas company</li> </ol>

## TROUBLESHOOTING

*Continued*

<b>OBSERVED PROBLEM</b>	<b>POSSIBLE CAUSE</b>	<b>REMEDY</b>
Slight smoke or odor during initial operation	<ol style="list-style-type: none"><li>1. Residues from manufacturing processes and log curing</li><li>2. Not enough air</li><li>3. Gas regulator defective</li></ol>	<ol style="list-style-type: none"><li>1. Problem will stop after a few hours of operation</li><li>2. Check burner for dirt and debris. If found, clean burner (see <i>Cleaning and Maintenance</i>, page 26)</li><li>3. Replace gas regulator</li></ol>
Fireplace produces a whistling noise when burner is lit	<ol style="list-style-type: none"><li>1. Turning control knob to HI position when burner is cold</li><li>2. Air in gas line</li><li>3. Air passageways on fireplace blocked</li><li>4. Dirty or partially clogged burner orifice</li></ol>	<ol style="list-style-type: none"><li>1. Turn control knob to LO position and let warm up for a minute</li><li>2. Operate burner until air is removed from line. Have gas line checked by local natural gas company</li><li>3. Observe minimum installation clearances (see page 10)</li><li>4. Clean burner (see <i>Cleaning and Maintenance</i>, page 26) or replace burner orifice</li></ol>
White powder residue forming within burner box or on adjacent walls or furniture	<ol style="list-style-type: none"><li>1. When heated, vapors from furniture polish, wax, carpet cleaners, etc. may turn into white powder residue</li></ol>	<ol style="list-style-type: none"><li>1. Turn fireplace off when using furniture polish, wax, carpet cleaners, or similar products</li></ol>
Moisture/condensation noticed on windows	<ol style="list-style-type: none"><li>1. Not enough combustion/ventilation air</li></ol>	<ol style="list-style-type: none"><li>1. Refer to <i>Air for Combustion and Ventilation</i> requirements (page 6)</li></ol>

# TROUBLESHOOTING

*Continued*



## **WARNING: If you smell gas**

- **Shut off gas supply.**
- **Do not try to light any appliance.**
- **Do not touch any electrical switch; do not use any phone in your building.**
- **Immediately call your gas supplier from a neighbor's phone. Follow the gas supplier's instructions.**
- **If you cannot reach your gas supplier, call the fire department.**

*IMPORTANT:* Operating fireplace where impurities in air exist may create odors. Cleaning supplies, paint, paint remover, cigarette smoke, cements and glues, new carpet or textiles, etc., create fumes. These fumes may mix with combustion air and create odors. These odors will disappear over time.

OBSERVED PROBLEM	POSSIBLE CAUSE	REMEDY
Remote does not function	1. Battery is not installed. Battery power is low	1. Replace batteries in receiver and remote control
Fireplace produces a clicking/ticking noise just after burners are lit or shut off	1. Metal expanding while heating or contracting while cooling	1. This is normal with most fireplaces. If noise is excessive, contact qualified service person
Fireplace produces unwanted odors	1. Fireplace burning vapors from paint, hair spray, glues, cleaners, chemicals, new carpet, etc. (See <i>IMPORTANT</i> statement above) 2. Low fuel supply (propane/LP only) 3. Gas leak. <b>See Warning statement at top of page</b>	1. Open window to ventilate room. Stop using odor causing products while fireplace is running 2. Refill supply tank (propane/LP only) 3. Locate and correct all leaks (see <i>Checking Gas Connections</i> , page 19)
Fireplace shuts off in use (ODS operates)	1. Not enough fresh air is available 2. Low line pressure 3. ODS/pilot is partially clogged	1. Open window and/or door for ventilation 2. Contact local natural or propane/LP gas company 3. Clean ODS/pilot (see <i>Cleaning and Maintenance</i> , page 26)
Gas odor even when control knob is in OFF position	1. Gas leak. <b>See Warning statement at top of page</b> 2. Control valve defective	1. Locate and correct all leaks (see <i>Checking Gas Connections</i> , page 19) 2. Replace control valve
Gas odor during combustion	1. Foreign matter between control valve and burner 2. Gas leak. <b>See Warning statement at top of page</b>	1. Take apart gas tubing and remove foreign matter 2. Locate and correct all leaks (see <i>Checking Gas Connections</i> , page 19)

## SPECIFICATIONS

### VCM3026ZMP

- Rating: 14,000/26,000 Btu/Hr
- Gas Type: Propane/LP Gas Only
- Ignition: Piezo
- Manifold Pressure: 8" W.C.
- Inlet Gas Pressure (in. of water):  
Maximum: 14" W.C., Minimum\*: 11" W.C.
- Dimensions (H x W x D): Fireplace (including hood and screws) - 25 <sup>7</sup>/<sub>8</sub>" x 26 <sup>13</sup>/<sub>16</sub>" x 9 <sup>3</sup>/<sub>8</sub>"  
Carton - 32 <sup>5</sup>/<sub>8</sub>" x 27 <sup>13</sup>/<sub>16</sub>" x 11 <sup>5</sup>/<sub>8</sub>"
- Weight: Fireplace - 44.5 lbs.  
Shipping - 48 lbs.

\* For purpose of input adjustment

### VCM3026ZMN

- Rating: 14,000/26,000 Btu/Hr
- Gas Type: Natural Gas Only
- Ignition: Piezo
- Manifold Pressure: 3.5" W.C.
- Inlet Gas Pressure (in. of water):  
Maximum: 10.5" W.C., Minimum\*: 5" W.C.
- Dimensions (H x W x D): Fireplace (including hood and screws) - 25 <sup>7</sup>/<sub>8</sub>" x 26 <sup>13</sup>/<sub>16</sub>" x 9 <sup>3</sup>/<sub>8</sub>"  
Carton - 32 <sup>5</sup>/<sub>8</sub>" x 27 <sup>13</sup>/<sub>16</sub>" x 11 <sup>5</sup>/<sub>8</sub>"
- Weight: Fireplace - 44.5 lbs.  
Shipping - 48 lbs.

\* For purpose of input adjustment

## REPLACEMENT PARTS

*Note: Use only original replacement parts. This will protect your warranty coverage for parts replaced under warranty.*

Contact authorized dealers of this product. If they can't supply original replacement part(s), call INNOVATIVE HEARTH PRODUCTS at 1-800-655-2008.

When calling, have ready:

- your name
- your address
- model and serial numbers of your heater
- how heater was malfunctioning
- purchase date

Usually, we will ask you to return the part to the factory.

## SERVICE HINTS

### When Gas Pressure Is Too Low

- pilot will not stay lit
- burners will have delayed ignition
- fireplace will not produce specified heat
- for propane/LP units, propane/LP gas supply may be low

You may feel your gas pressure is too low. If so, contact your local natural or propane/LP gas supplier.

## TECHNICAL SERVICES

You may have further questions about installation, operation, or troubleshooting. If so, contact INNOVATIVE HEARTH PRODUCTS at 1-800-655-2008. When calling please have your model and serial numbers of your heater ready.

You can also visit our web site at [www.IHP.US.com](http://www.IHP.US.com).



## ACCESSORIES

Purchase these accessories from your local dealer. If they can not supply these accessories call INNOVATIVE HEARTH PRODUCTS at 1-800-655-2008 for information. You can also write to the address listed on the back page of this manual.

### PERIMETER TRIM KIT

**GAB6094 - Black**

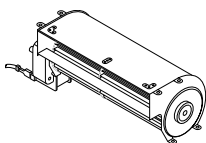
**GAP6094 - Platinum**

Optional three-sided perimeter trim kit for recessed installations (when unit is on the floor) or mantel. Provides a finished appearance by covering rough edges of wall/mantel opening.

### EXTRUDED LOUVER KIT

**GAP9092 - Platinum**

Optional extruded louver. Kit contains 2 louvers.



### THERMOSTAT-CONTROLLED BLOWER KIT - GA3450TA

Provides better heat distribution. Makes fireplace more efficient. Automatically turns off and on as needed.

### CORNER MANTEL WITH FULL HEARTH BASE

**C26TU** - Unfinished, Traditional Design

**C26TO** - Oak Finished, Traditional Design

**C26GO** - Oak Finished, Georgian Design

Space-saving mantel and hearth base corner design features clean, classic lines. Available in a stained oak, finish or an unfinished hardwood, ready to stain or paint. Complete assembly instructions included. Three-sided perimeter trim kit is sold separately.

### WALL MANTEL AND FULL HEARTH BASE

**W26TU** - Unfinished, Traditional Design

**W26TO** - Oak Finished, Traditional Design

**W26GO** - Oak Finished, Georgian Design

Mantel features clean, classic lines. Available in a stained oak or unfinished hardwood, ready to stain or paint. Complete assembly instructions included. Three-sided perimeter trim kit is sold separately.

### WALL-MOUNT THERMOSTAT SWITCH - GWMT1

The desired comfort setting can be selected on the wall thermostat and the fireplace will automatically cycle from pilot to the heat setting selected.

### WALL-MOUNT ON/OFF SWITCH GWMS2

Allows the fireplace to be turned on and off with a wall switch.

### RECEIVER AND HAND-HELD TOUCH-SCREEN THERMOSTAT REMOTE CONTROL KIT - TRSC

**For all models.** Allows gas log heater to be operated in a manually, thermostatically, or programmed controlled mode.



### RECEIVER AND HAND-HELD THERMOSTAT REMOTE CONTROL KIT - TRC

Allows the fireplace to be operated in a manually or thermostatically controlled mode. You can turn the fireplace on and off without ever leaving the comfort of your easy chair. A wall-mount docking station is included.

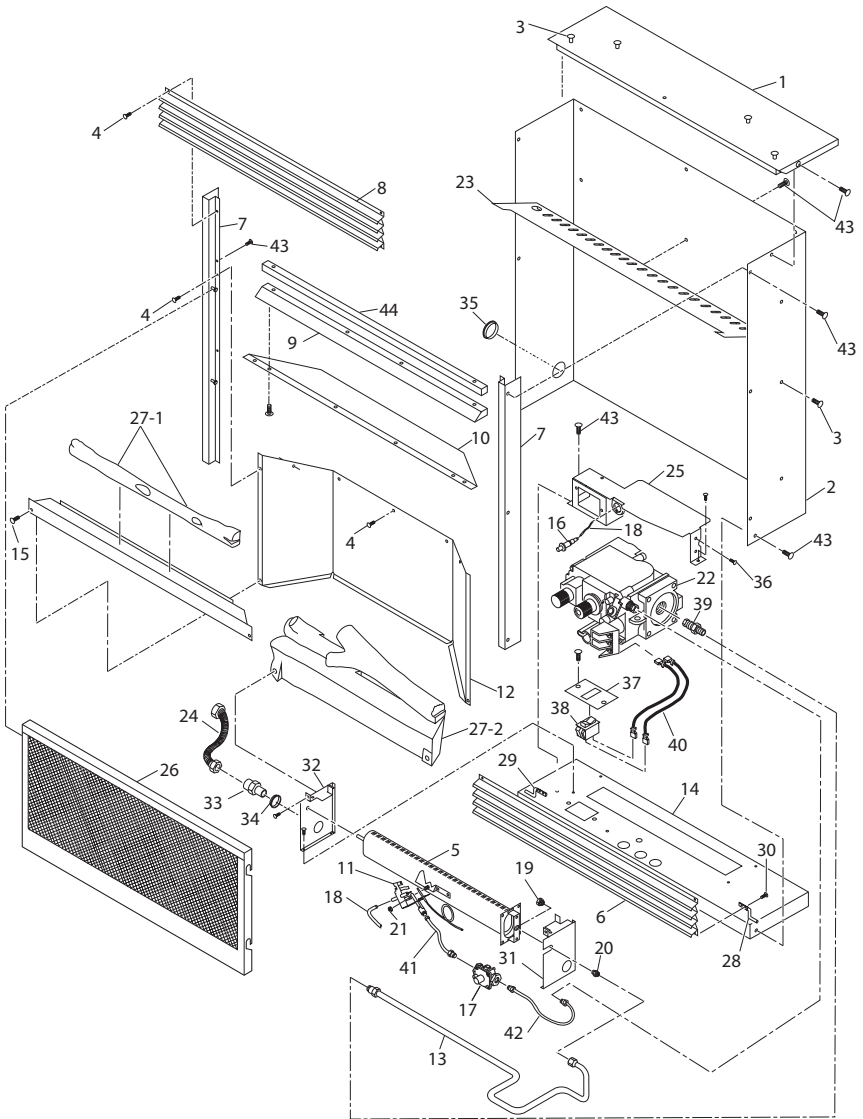


### RECEIVER AND HAND-HELD REMOTE CONTROL KIT - MRC

Allows the fireplace to be turned on and off by using a hand-held remote control. A wall-mount docking station is included.

# PARTS

MODELS VCM3026ZMP AND VCM3026ZMN



## PARTS

This list contains replaceable parts used in your fireplace. When ordering parts, follow the instructions listed under Replacement Parts on page 34 of this manual.

KEY NO.	PART NO.	DESCRIPTION	VCM3026ZMP		QTY.
1	102633-02	Outer Casing Top	•	•	1
2	102624-02	Outer Casing	•	•	1
3	099230-02	Shoulder Screw	•	•	14
4	098304-01	Screw, #10 x 3/8"	•	•	13
5	109824-05	Burner	•	•	1
6	098304-02	Screw, PPH AB 6-20 x 0.38	•	•	4
	098304-06	Screw, PPH AB 6-20 x 0.38	•	•	4
7	102635-02	Left and Right Side Front	•	•	2
8	103209-09	Louver	•	•	2
9	104281-02	Firebox Hood	•	•	1
10	102638-01	Firebox Top	•	•	1
11	PP225	ODS/Pilot Assembly	•	•	1
	PP231	ODS/Pilot Assembly	•	•	1
12	**	Firebox Wrapper	•	•	1
13	104322-01	Burner Tube	•	•	1
14	104335-01	Outer Shell Base	•	•	1
15	102649-02	Branch Support	•	•	1
16	102445-01	Piezo Ignitor	•	•	1
17	099918-02	Regulator, Pilot	•	•	1
18	098271-10	Ignitor Cable	•	•	1
19	107186-01	Injector	•	•	1
20	M11084-26	Screw, Hex Head, #10 x 3/8"	•	•	25
21	098249-01	Nut, M5	•	•	6
22	103781-05	Gas Valve	•	•	1
	103781-06	Gas Valve	•	•	1
23	102639-01	Baffle	•	•	1
24	101628-01	Flexible Connector	•	•	1
25	104305-01	Control Shield	•	•	1
26	103295-05	Screen Assembly	•	•	1
27	107048-01	Log Set Assembly Kit	•	•	1
28	104313-01	Right Hinge	•	•	1
29	104313-02	Left Hinge	•	•	1
30	M10908-2	Hinge Screws	•	•	4
31	103734-01	Burner Support	•	•	2
32	101006-02	Pilot Bracket	•	•	1
33	097809-03	Connector, Male	•	•	1
34	101629-01	Bushing	•	•	1
35	101629-02	Bushing	•	•	1
36	M12461-26	Gas Valve Screws	•	•	4
37	103587-02	Switch Plate	•	•	1
38	099998-01	Fan Switch	•	•	1
39	098264-02	Male Connector	•	•	1
40	103284-03	Wire Harness	•	•	1
41	099387-14	Pilot Tube to Regulator	•	•	1
42	099387-13	Pilot Tube to Control Valve	•	•	1
	099387-15	Pilot Tube to Control Valve	•	•	1
43	107634-02	NG Conversion Plate	•	•	1
44	M10908-75	Hex Wsr Head Tapping Screw	•	•	1
<b>PARTS AVAILABLE — NOT SHOWN</b>					
	103877-01	Lighting Instructions Plate	•	•	1
	100563-01	Warning Plate	•	•	1
	103470-02	Hardware Package	•	•	1

\*\* Part not available for field replacement.

# Innovative Hearth Products Superior™ Brand Gas Fireplaces, Stoves and Inserts 20 Year Limited Warranty

## THE WARRANTY

Innovative Hearth Products ("IHP") 20 Year Limited Warranty warrants your Superior™ Brand gas fireplace, Stove or Insert ("Product") to be free from defects in materials and workmanship at the time of manufacture. The Product body and firebox carry the 20 Year Limited Warranty. Ceramic glass carries the 20 Year Limited Warranty against thermal breakage only. After installation, if covered components manufactured by IHP are found to be defective in materials or workmanship during the 20 Year Limited Warranty period and while the Product remains at the site of the original installation, IHP will, at its option, repair or replace the covered components. If repair or replacement is not commercially practical, IHP will, at its option, refund the purchase price or wholesale price of the IHP product, whichever is applicable. IHP will also pay IHP prevailing labor rates, as determined in its sole discretion, incurred in repairing or replacing such components for up to five years. THERE ARE EXCLUSIONS AND LIMITATIONS to this 20 Year Limited Warranty as described herein.

## COVERAGE COMMENCEMENT DATE

Warranty coverage begins on the date of installation. In the case of new home construction, warranty coverage begins on the date of first occupancy of the dwelling or six months after the sale of the Product by an independent IHP dealer/distributor, whichever occurs earlier. The warranty shall commence no later than 24 months following the date of product shipment from IHP, regardless of the installation or occupancy date.

## EXCLUSIONS AND LIMITATIONS

This 20 Year Limited Warranty applies only if the Product is installed in the United States or Canada and only if operated and maintained in accordance with the printed instructions accompanying the Product and in compliance with all applicable installation and building codes and good trade practices.

This warranty is non-transferable and extends to the original owner only. The Product must be purchased through a listed supplier of IHP and proof of purchase must be provided. The Product body and firebox carry the 20 Year Limited Warranty from the date of installation. Vent components, trim components and paint are excluded from this 20 Year Limited Warranty. The following do not carry the 20 Year Limited Warranty but are warranted as follows:

- Burner** – Repair or replacement for one year from the date of installation
- Gas components** – Repair or replacement for one year from the date of installation
- Gaskets** – Repair or replacement for one year from the date of installation
- Logs** – Replacement for one year from the date of installation against thermal breakage only
- Optional blowers & remote controls** – Repair or replacement for one year from the date of installation
- Optional glass doors** – Repair or replacement for 90 days from the date of installation
- Tempered glass** - Replacement for one year from the date of installation
- Labor coverage** – Prevailing IHP labor rates apply for the warranty period of the component

**Parts not otherwise listed carry a 90 day warranty from the date of installation.**

**Whenever practicable, IHP will provide replacement parts, if available, for a period of 10 years from the last date of manufacture of the Product.**

IHP will not be responsible for: (a) damages caused by normal wear and tear, accident, riot, fire, flood or acts of God; (b) damages caused by abuse, negligence, misuse, or unauthorized alteration or repair of the Product affecting its stability or performance (The Product must be subjected to normal use. The Product is designed to burn either natural or propane gas only. Burning conventional fuels such as wood, coal or any other solid fuel will cause damage to the Product, will produce excessive temperatures and could result in a fire hazard.); (c) damages caused by failing to provide proper maintenance and service in accordance with the instructions provided with the Product; (d) damages, repairs or inefficiency resulting from faulty installation or application of the Product.

IHP is not responsible for inadequate fireplace system draft caused by air conditioning and heating systems, mechanical ventilation systems, or general construction conditions which may generate negative pressure in the room in which the appliance is installed. Additionally IHP assumes no responsibility for drafting conditions caused by venting configurations, adjoining trees or buildings, adverse wind conditions or unusual environmental factors and conditions that affect the operation of the unit.

This 20 Year Limited Warranty covers only parts and labor as provided herein. In no case shall IHP be responsible for materials, components or construction, which are not manufactured or supplied by IHP or for the labor necessary to install, repair or remove such materials, components or construction. Additional utility bills incurred due to any malfunction or defect in equipment are not covered by this warranty. All replacement or repair components will be shipped F.O.B. from the nearest stocking IHP factory.

## LIMITATION ON LIABILITY

It is expressly agreed and understood that IHP's sole obligation and the purchaser's exclusive remedy under this warranty, under any other warranty, expressed or implied, or in contract, tort or otherwise, shall be limited to replacement, repair, or refund, as specified herein.

In no event shall IHP be liable for any incidental or consequential damages caused by defects in the Product, whether such damage occurs or is discovered before or after repair or replacement, and whether such damage is caused by IHP's negligence. IHP has not made and does not make any representation or warranty of fitness for a particular use or purpose, and there is no implied condition of fitness for a particular use or purpose.

IHP makes no expressed warranties except as stated in this 20 Year Limited Warranty. The duration of any implied warranty is limited to the duration of this expressed warranty.

No one is authorized to change this 20 Year Limited Warranty or to create for IHP any other obligation or liability in connection with the Product. Some states and provinces do not allow the exclusion or limitation of incidental or consequential damages, so the above limitations or exclusions may not apply to you. The provisions of this 20 Year Limited Warranty are in addition to and not a modification of or subtraction from any statutory warranties and other rights and remedies provided by law.

## INVESTIGATION OF CLAIMS AGAINST WARRANTY

IHP reserves the right to investigate any and all claims against this 20 Year Limited Warranty and to decide, in its sole discretion, upon the method of settlement.

To receive the benefits and advantages described in this 20 Year Limited Warranty, the appliance must be installed and repaired by a licensed contractor approved by IHP.

Contact IHP at the address provided herein to obtain a listing of approved dealers/distributors. **IHP shall in no event be responsible for any warranty work done by a contractor that is not approved without first obtaining IHP's prior written consent.**

## HOW TO REGISTER A CLAIM AGAINST WARRANTY

In order for any claim under this warranty to be valid, you must contact the IHP dealer/distributor from which you purchased the product. If you cannot locate the dealer/distributor, then you must notify IHP in writing. IHP must be notified of the claimed defect in writing within 90 days of the date of failure. Notices should be directed to the IHP Warranty Department at 1508 Elm Hill Pike, Suite 108, Nashville, TN 37210 or visit our website at [WWW.SUPERIORFIREPLACES.US.COM](http://WWW.SUPERIORFIREPLACES.US.COM)

# **WARRANTY**

---

---

## **KEEP THIS WARRANTY**

Model (located on product or identification tag) \_\_\_\_\_

Serial No. (located on product or identification tag) \_\_\_\_\_

Date Purchased \_\_\_\_\_

Keep receipt for warranty verification.



P126872-01



1508 Elm Hill Pike, Suite 108  
Nashville, TN 37210  
1-800-655-2008  
**[www.IHP.US.com](http://www.IHP.US.com)**

126872-01  
Rev. A  
02/14