



Installation and Operation Instructions

Superior™ Unvented (Vent-Free) Universal Firebox

P/N 126709-01 Rev.A 02/2014



P126709-01



Models

VRT4032WS	VRT4036WS	VRT4042WS
VRT4032WH	VRT4036WH	VRT4042WH
VRT4032RS	VRT4036RS	VRT4042RS
VRT4032RH	VRT4036RH	VRT4042RH

INSTALLER: Leave this manual with the appliance.
CONSUMER: Retain this manual for future reference.

⚠ WARNING: Carefully review the instructions supplied with the decorative type unvented room heater for the minimum fireplace size requirement.

Do not install the appliance in this firebox, unless this firebox meets the minimum dimensions required for the installation.

⚠ WARNING: For use only with a listed, gas-fired unvented decorative room heater not to exceed 40,000 Btu/H.

Do not build a wood fire.

⚠ WARNING: If the information in these instructions is not followed exactly, a fire or explosion may result causing property damage, personal injury or loss of life.

- Do not store or use gasoline or other flammable vapors and liquids in the vicinity of this or any other appliance.
- **WHAT TO DO IF YOU SMELL GAS:**
 - Do not try to light any appliance.
 - Do not touch any electrical switch; do not use any phone in your building.
 - Immediately call your gas supplier from a neighbor's phone. Follow the gas supplier's instructions.
 - If you cannot reach your gas supplier, call the fire department.
- Installation and service must be performed by a qualified installer, service agency or the gas supplier.

⚠ WARNING: Improper installation, adjustment, alteration, service or maintenance can cause injury or property damage. Refer to this manual for correct installation and operational procedures. For assistance or additional information consult a qualified installer, service agency or the gas supplier.

TABLE OF CONTENTS

Safety	2	Installation	9
Local Codes.....	3	Replacement Parts.....	14
Product Features.....	4	Technical Service.....	14
Locating Firebox.....	4	Accessories	15
Product Specifications.....	5	Parts	16
Air For Combustion and Ventilation.....	7	Warranty.....	20

SAFETY

This appliance may be installed in an aftermarket,* permanently located, manufactured (mobile) home, where not prohibited by local codes.

* Aftermarket: Completion of sale, not for purpose of resale, from the manufacturer

This firebox has been tested under Z21.91b-2007 for use with approved ANSI Z21.11.2 decorative type unvented room heater.

IMPORTANT: Read this owner's manual carefully and completely before trying to assemble, operate or service this fireplace. Improper use of this fireplace can cause serious injury or death from burns, fire, explosion, electrical shock and carbon monoxide poisoning.

⚠ DANGER: Carbon monoxide poisoning may lead to death!

⚠ WARNING: Any change to this firebox or its controls can be dangerous.

⚠ WARNING: Do not use a blower insert, heat exchanger insert or other accessory not approved for use with this firebox.

⚠ WARNING: Do not allow fans to blow directly into the firebox. Avoid any drafts that alter burner flame patterns. Ceiling fans can create drafts that alter burner flame patterns. Altered burner patterns can cause sooting.

SAFETY

Continued

Due to high temperatures, the appliance should be located out of traffic and away from furniture and draperies.

Do not place clothing or other flammable material on or near the appliance. Never place any objects in the firebox or on logs.

Firebox front and screen becomes very hot when running firebox. Keep children and adults away from hot surfaces to avoid burns or clothing ignition. Firebox will remain hot for a time after shutdown. Allow surfaces to cool before touching.

Carefully supervise young children when they are in the room with firebox.

Keep the fireplace area clear and free from combustible materials, gasoline, and other flammable vapors and liquids.

You must operate this fireplace with the provided fireplace screen and hood in place. Make sure these parts are in place and screens are closed before running installed gas log heater. Replace hood with INNOVATIVE HEARTH PRODUCTS model 109511-01 50", 109511-02 42", or 109511-03 36" only. This hood has been designed to keep the operation of your fireplace safe and efficient.

1. Do not use this firebox as a wood burning fireplace. Use only decorative unvented room heaters (log sets).
2. Do not add extra logs or ornaments such as pine cones, vermiculite or rock wool. Using these added items can cause sooting.
3. Use only the provided hood. See Parts, page 18. The firebox canopy (hood) must not be modified or replaced with a canopy (hood) that may be provided with the unvented decorative room heater.
4. Vent-free gas log heaters installed in these fireboxes require fresh air ventilation to run properly. See Air for Combustion and Ventilation, page 8.
5. Do not run vent-free heaters installed in these fireboxes
 - where flammable liquids or vapors are used or stored
 - under dusty conditions
6. Do not use this firebox to cook food or burn paper or other objects.
7. Turn unit off and let cool before servicing. Only a qualified service person should service and repair firebox.
8. Operating vent-free heaters installed in these fireboxes above elevations of 4,500 feet could cause pilot outage.
9. Do not use the firebox if it has been under water.
10. Before using furniture polish, wax, carpet cleaner or similar products, turn heater off. If heated, the vapors from these products may create a white powder residue within burner box or on adjacent walls and furniture.
11. Provide adequate clearances around air openings.

LOCAL CODES

Install and use with care. Follow all local codes. In the absence of local codes, use the latest edition of *The National Fuel Gas Code, ANSI Z223.1/NFPA 54**. Firebox must be electrically grounded in accordance with the *National Electrical Code, ANSI/NFPA70* (latest edition).

*Available from:

American National Standards Institute, Inc.
1430 Broadway
New York, NY 10018
National Fire Protection Association, Inc.
Batterymarch Park
Quincy, MA 02269

State of Massachusetts: The installation must be made by a licensed plumber or gas fitter in the Commonwealth of Massachusetts.

Sellers of unvented propane or natural gas-fired supplemental room heaters shall provide to each purchaser a copy of 527 CMR 30 upon sale of the unit.

Vent-free gas products are prohibited for bedroom and bathroom installation in the Commonwealth of Massachusetts.

PRODUCT FEATURES

OPERATION

This firebox has been tested and approved under ANSI Z21.91 for use with any gas log approved to ANSI Z21.11.2 for indoor applications and ANSI Z21.97 for outdoor applications. (Physical size limitations apply. Refer to minimum firebox requirements supplied with log heater.) It requires no outside venting or chimney making installation easy and inexpensive. When used without blower, heater installed in firebox requires no electricity making it ideal for emergency backup heat.

REFRACTORY BRICK LINER

Your firebox may feature a concrete refractory brick liner. As with all concrete liners, this liner may develop slight cracks when exposed to heat. These cracks will not affect performance of fireplace or vent-free gas logs.

OUTSIDE AIR KIT ACCESSORY

An optional AK4 air kit provides additional outdoor air to improve burner efficiency and reduce build-up of condensation in the living space. Follow instructions included with air kit.

LOCATING FIREBOX

PLANNING

Plan where you will install the firebox. This will save time and money later when you install the firebox. Before installation, consider the following:

1. Where firebox will be located: Allow for wall and ceiling clearances (see *Installation Clearances*, page 10).
2. Everything needed to complete fireplace installation.
3. These models CANNOT be installed in a bedroom unless maximum Btu rating of installed vent-free log set is less than 10,000 Btu/hr.
4. Proper air for combustion and ventilation (page 7).

PRODUCT SPECIFICATIONS

32" MODELS

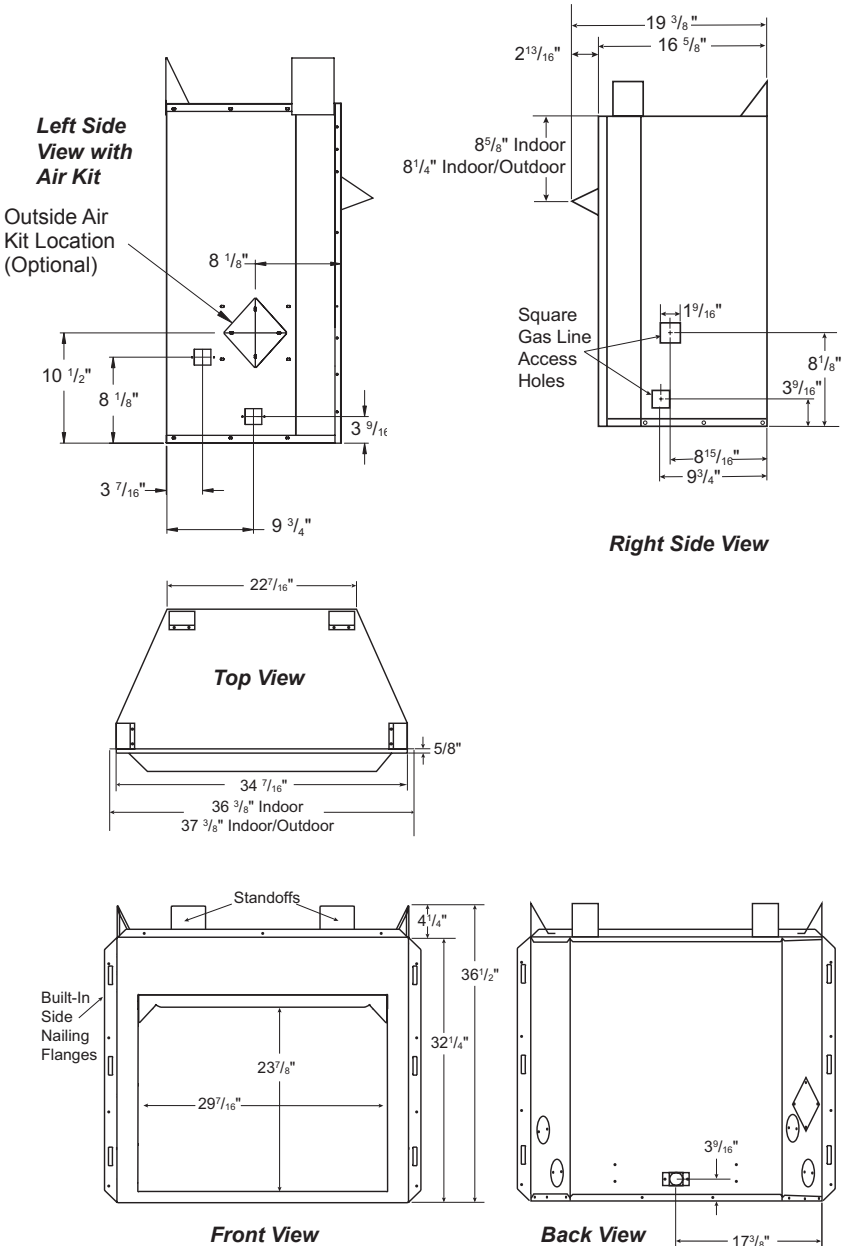


Figure 1 - Firebox Dimensions (32" Models)

PRODUCT SPECIFICATIONS

Continued

36" AND 42" MODELS

Note: If only one dimension is shown, dimension is the same for both 36" and 42" models.

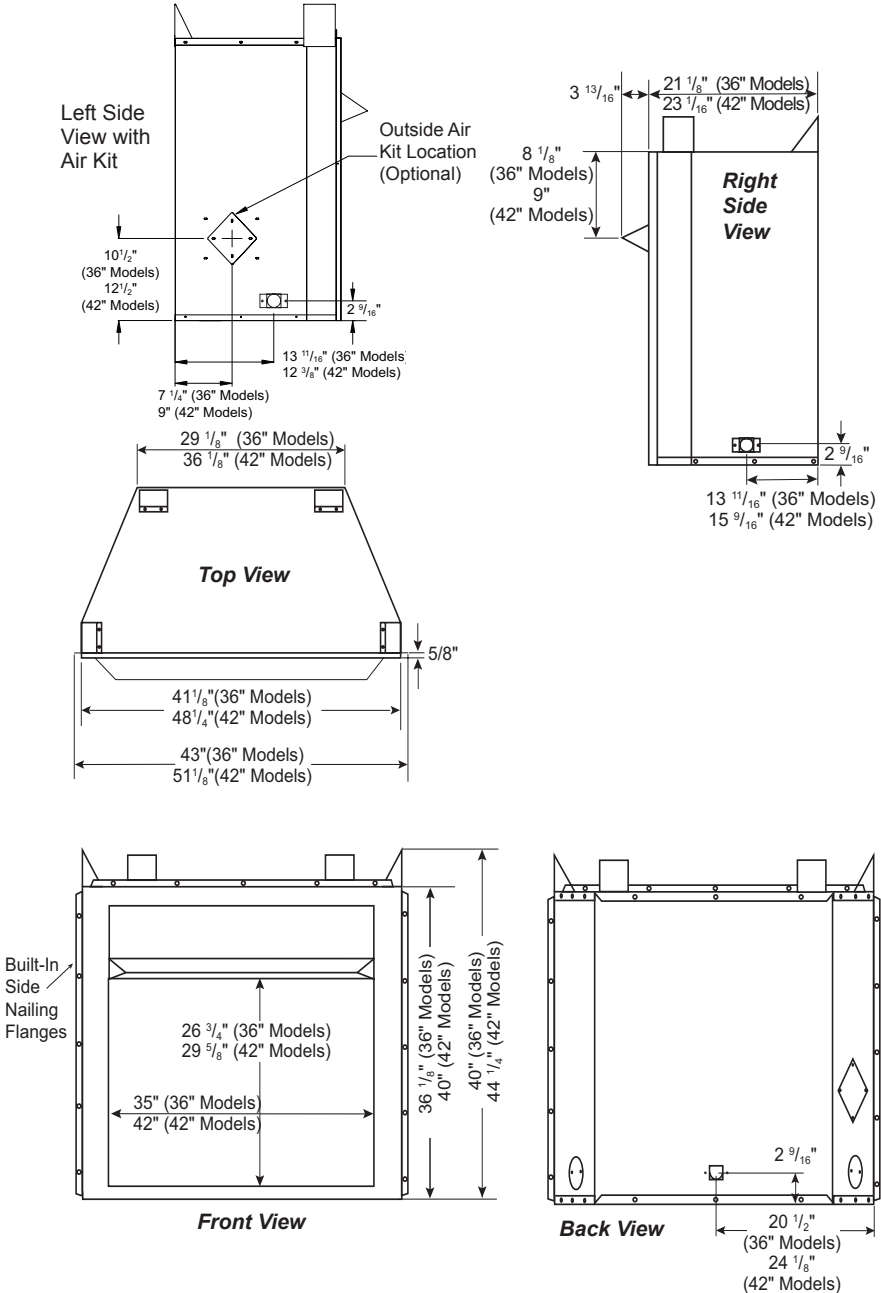


Figure 2 - Firebox Dimensions (36" and 42" Models)

AIR FOR COMBUSTION AND VENTILATION

⚠ WARNING: This heater shall not be installed in a room or space unless the required volume of indoor combustion air is provided by the method described in the *National Fuel Gas Code, ANSI Z223.1/NFPA 54, the International Fuel Gas Code, or applicable local codes. Read the following instructions to insure proper fresh air for this and other fuel-burning appliances in your home.*

Today's homes are built more energy efficient than ever. New materials, increased insulation and new construction methods help reduce heat loss in homes. Home owners weather strip and caulk around windows and doors to keep cold air out and warm air in. During heating months, home owners want their homes as airtight as possible.

While it is good to make your home energy efficient, your home needs to breathe. Fresh air must enter your home. All fuel-burning appliances need fresh air for proper combustion and ventilation.

Exhaust fans, fireboxes, clothes dryers and fuel burning appliances draw air from the house to operate. You must provide adequate fresh air for these appliances. This will insure proper venting of vented fuel-burning appliances.

PROVIDING ADEQUATE VENTILATION

The following are excerpts from *National Fuel Gas Code, ANSI Z223.1/NFPA 54, Air for Combustion and Ventilation*.

All spaces in homes fall into one of the three following ventilation classifications:

1. Unusually Tight Construction
2. Unconfined Space
3. Confined Space

Information on page 7 through 9 will help you classify your space and provide adequate ventilation.

Unusually Tight Construction

Air that leaks around doors and windows may provide enough fresh air for combustion and ventilation. However, in buildings of unusually tight construction, you must provide additional fresh air.

Unusually tight construction is defined as construction where:

- a. walls and ceilings exposed to outside atmosphere have a continuous water vapor retarder with a rating of one perm (6×10^{-11} kg per pa-sec- m^2) or less with openings gasketed or sealed and
- b. weather stripping has been added on openable windows and doors and
- c. caulking or sealants are applied to areas such as joints around window and door frames, between sole plates and floors, between wall-ceiling joints, between wall panels, at penetrations for plumbing, electrical and gas lines and at other openings.

If your home meets all three criteria above, you must provide additional fresh air. See [Ventilation Air From Outdoors](#), page 9.

If your home does not meet all three criteria above, proceed to [Determining Fresh-Air Flow for Firebox Location](#), page 8.

Confined and Unconfined Space

The *National Fuel Gas Code, ANSI Z223.1/NFPA 54* defines a confined space as a space whose volume is less than 50 cubic feet per 1,000 Btu per hour (4.8 m^3 per kw) of the aggregate input rating of all appliances installed in that space and an unconfined space as a space whose volume is not less than 50 cubic feet per 1,000 Btu per hour (4.8 m^3 per kw) of the aggregate input rating of all appliances installed in that space. Rooms communicating directly with the space in which the appliances are installed*, through openings not furnished with doors, are considered a part of the unconfined space.

* Adjoining rooms are communicating only if there are doorless passageways or ventilation grills between them.

AIR FOR COMBUSTION AND VENTILATION

Continued

DETERMINING FRESH-AIR FLOW FOR HEATER LOCATION

Determining if You Have a Confined or Unconfined Space

Use this work sheet to determine if you have a confined or unconfined space.

Space: Includes the room in which you will install heater plus any adjoining rooms with doorless passageways or ventilation grills between the rooms.

1. Determine the volume of the space (length x width x height).

Length x Width x Height = _____ cu. ft. (volume of space)

Example: Space size 22 ft. (length) x 18 ft. (width) x 8 ft. (ceiling height) = 3168 cu. ft. (volume of space)

If additional ventilation to adjoining room is supplied with grills or openings, add the volume of these rooms to the total volume of the space.

2. Multiply the space volume by 20 to determine the maximum Btu/Hr the space can support.

_____ (volume of space) x 20 = (Maximum Btu/Hr the space can support)

Example: 3168 cu. ft. (volume of space) x 20 = 63,360 (maximum Btu/Hr the space can support)

3. Add the Btu/Hr of all fuel burning appliances in the space.

Vent-free heater	_____	Btu/Hr
Gas water heater*	_____	Btu/Hr
Gas furnace	_____	Btu/Hr
Vented gas heater	_____	Btu/Hr
Gas fireplace logs	_____	Btu/Hr
Other gas appliances* +	_____	Btu/Hr
Total	= _____	Btu/Hr

* Do not include direct-vent gas appliances. Direct-vent draws combustion air from the outdoors and vents to the outdoors.

Example:

Gas water heater	<u>40,000</u>	Btu/Hr
Vent-free heater	+ <u>39,000</u>	Btu/Hr
Total	= <u>79,000</u>	Btu/Hr

4. Compare the maximum Btu/Hr the space can support with the actual amount of Btu/Hr used.

_____ Btu/Hr (maximum the space can support)

_____ Btu/Hr (actual amount of Btu/Hr used)

Example: 63,360 Btu/Hr (maximum the space can support)
79,000 Btu/Hr (actual amount of Btu/Hr used)

The space in the above example is a confined space because the actual Btu/Hr used is more than the maximum Btu/Hr the space can support. You must provide additional fresh air. Your options are as follows:

- A. Rework worksheet, adding the space of an adjoining room. If the extra space provides an unconfined space, remove door to adjoining room or add ventilation grills between rooms. See Ventilation Air From Inside Building, page 9.
- B. Vent room directly to the outdoors. See Ventilation Air From Outdoors, page 9.
- C. Install a lower Btu/Hr heater, if lower Btu/Hr size makes room unconfined.

If the actual Btu/Hr used is less than the maximum Btu/Hr the space can support, the space is an unconfined space. You will need no additional fresh air ventilation.

⚠ WARNING: If the area in which the heater may be operated does not meet the required volume for indoor combustion air, combustion and ventilation air shall be provided by one of the methods described in the *National Fuel Gas Code, ANSI Z223.1/NFPA 54, the International Fuel Gas Code, or applicable local codes.*

AIR FOR COMBUSTION AND VENTILATION

Continued

VENTILATION AIR

Ventilation Air From Inside Building

This fresh air would come from an adjoining unconfined space. When ventilating to an adjoining unconfined space, you must provide two permanent openings: one within 12" of the ceiling and one within 12" of the floor on the wall connecting the two spaces (see options 1 and 2, Figure 4). You can also remove door into adjoining room (see option 3, Figure 3). Follow the *National Fuel Gas Code, ANSI Z223.1/NFPA 54, Air for Combustion and Ventilation* for required size of ventilation grills or ducts.

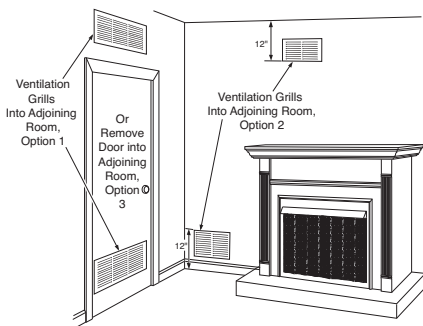


Figure 3 - Ventilation Air from Inside Building

Ventilation Air From Outdoors

Provide extra fresh air by using ventilation grills or ducts. You must provide two permanent openings: one within 12" of the ceiling and one within 12" of the floor. Connect these items directly to the outdoors or spaces open to the outdoors. These spaces include attics and crawl spaces. Follow the *National Fuel Gas Code, ANSI Z223.1/NFPA 54, Air for Combustion and Ventilation* for required size of ventilation grills or ducts.

IMPORTANT: Do not provide openings for inlet or outlet air into attic if attic has a thermostat-controlled power vent. Heated air entering the attic will activate the power vent.

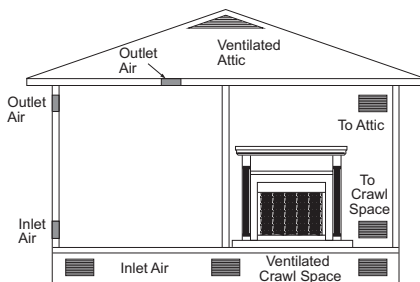


Figure 4 - Ventilation Air from Outdoors

INSTALLATION

WARNING: A qualified service person must install firebox. Follow all local codes.

WARNING: Never install the firebox

- in a bedroom or bathroom*
- in a recreational vehicle
- where curtains, furniture, clothing or other flammable objects are less than 36" from front or 42" from top of firebox. For side clearances see Figure 5, page 10
- in high traffic areas
- in windy or drafty areas

* Unless the installed log set is rated at 10,000 Btu/Hr or less.

CAUTION: Log heaters installed in this firebox create warm air currents. These currents move heat to wall surfaces next to firebox. Installing firebox next to vinyl or cloth wall coverings or operating firebox where impurities (such as, but not limited to, tobacco smoke, aromatic candles, cleaning fluids, oil or kerosene lamps, etc.) in the air exist, may discolor walls or cause odors.

INSTALLATION

Continued

IMPORTANT: Vent-free gas log heaters add moisture to the air. Although this is beneficial, installing firebox in rooms without enough ventilation air may cause mildew to form from too much moisture. See [Air for Combustion and Ventilation](#), page 7.

IMPORTANT: Make sure firebox is level. If firebox is not level, log set will not work properly.

Note: Your firebox is designed to be used in zero clearance installations. Wall or framing material can be placed against any exterior surface on rear, sides, top or bottom of firebox, except where standoff spacers are integrally attached. If standoff spacers are attached to firebox, these spacers can be placed directly against wall or framing materials.

Use dimensions shown for rough openings to create the easiest installation (see [Built-In Firebox Installation](#), page 11).

INSTALLATION CLEARANCES

WARNING: Maintain the minimum clearances. If you can, provide greater clearances from floor, ceiling and adjoining wall.

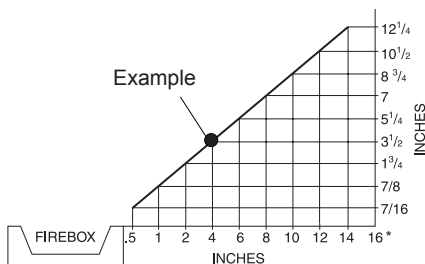
Carefully follow these instructions. This will ensure safe installation.

Minimum Wall and Ceiling Clearances (see Figure 5)

- Clearances from side of fireplace cabinet to any combustible material and wall should follow diagram in Figure 5.
Example: The face of a mantel, bookshelf, etc. is made of combustible material and protrudes 3 1/2" from wall. This combustible material must be 4" from side of fireplace cabinet (see Figure 5).
- Clearances from top of firebox opening to ceiling should not be less than 42".
- When firebox is installed on carpeting or other combustible material, other than wood flooring, firebox should be installed on a metal or wood panel extending full width and depth of enclosure.
- Clearances from bottom of firebox to floor is 0".

These fireboxes can be installed as freestanding units against a wall with approved, optional cabinet mantels (see [Accessories](#), page 15) or as a built-in unit. Clearances are the same for either installation method.

CAUTION: Do not install firebox directly on carpet or vinyl.



*Minimum 16" from Side Wall

Figure 5 - Minimum Clearance for Combustible to Wall

Mantel Clearances for Built-In Installation

If placing custom mantel above built-in firebox, you must meet minimum allowable clearance between mantel shelf and top of firebox opening shown in Figure 6, page 11. These are minimum allowable mantel clearances for a safe installation. Use larger clearances whenever possible to minimize heating of objects and materials placed on mantel.

CAUTION: Do not allow vent-free gas log heater to touch or extend beyond fireplace screen.

NOTICE: Surface temperatures of adjacent walls and mantels become hot during operation. Walls and mantels above firebox may become hot to the touch. If installed properly, these temperatures meet the requirement of the national product standard. Follow all minimum clearances shown in this manual.

INSTALLATION

Continued

NOTICE: If your installation does not meet the minimum clearances shown, you must do one of the following:

- raise the mantel to an acceptable height
- remove the mantel

BUILT-IN FIREBOX INSTALLATION

Built-in installation of this firebox involves installing firebox into a framed-in enclosure. This makes the front of firebox flush with wall. Optional brass trim accessories are available (see *Accessories*, page 15). Brass trim will extend past sides of firebox approximately 1/2". This will cover rough edges of wall opening. If installing a mantel above firebox, you must follow clearances shown in Figure 6. Follow these instructions to install firebox in this manner.

1. Frame in rough opening. Firebox framing should be constructed of 2 x 4 lumber or heavier. Use dimensions in table and rough opening layout in Figure 7a. Adjust framing so that firebox is flush with finished wall surface. If installing in a corner, use dimensions in Figures 7b, 7c and 7d for rough opening.

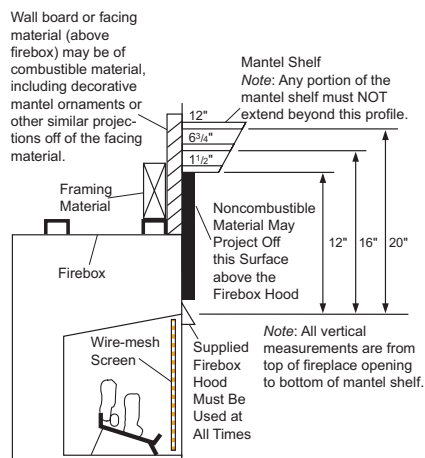


Figure 6 - Minimum Mantel Clearances for Built-In Installation

2. Install gas piping to firebox location. See *Installing Gas Line*, page 12 and *Connecting to Gas Supply* in log set owner's manual.
3. Carefully set firebox in front of rough opening with back of firebox inside wall opening. **IMPORTANT:** If installing a perimeter trim kit, see instructions included with trim accessory. You must install shoulder screws from trim kit now.

Rough Opening Dimensions for Built-in Installation			
Model	Front Width (Inside to Inside)	Height	Depth (Min.)
32"	35 7/8"	36 3/4"	16 1/4"
36"	42 1/2"	40 1/2"	20 3/4"
42"	49 5/8"	44 1/2"	22 5/8"

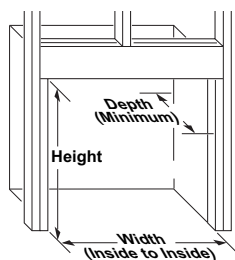


Figure 7a

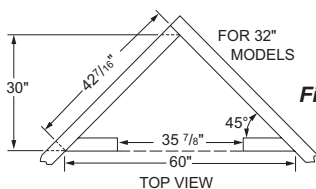


Figure 7b

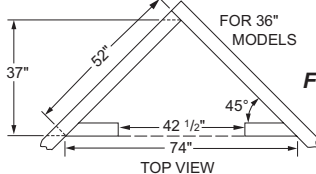


Figure 7c

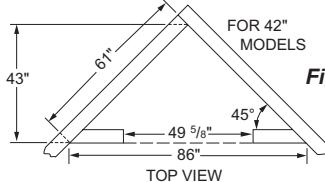


Figure 7d

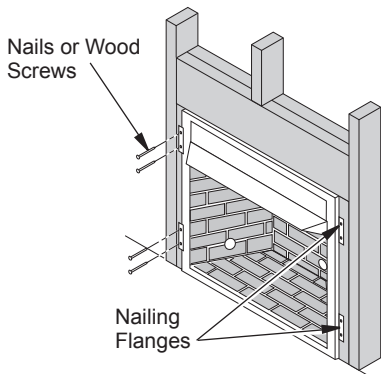
Figure 7 - Rough Opening for Installing in Wall

INSTALLATION

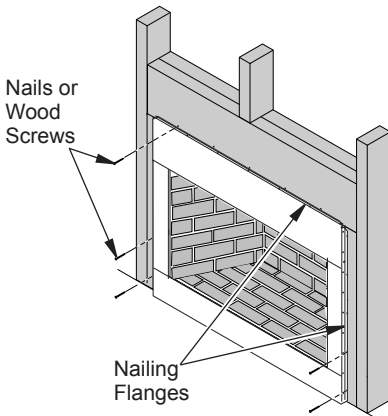
Continued

- Carefully insert firebox into rough opening.
- Attach firebox to wall studs using nails or wood screws through holes in nailing flange (see Figure 8).
- If using an optional perimeter trim kit, install trim after final finishing and/or painting of wall. See instructions included with trim accessory for attaching trim.
- Install and properly test gas log heater. Follow installation instructions included with vent-free gas log heater that is being installed.

IMPORTANT: When finishing your firebox, combustible materials such as wall board, gypsum board, sheet rock, drywall, plywood, etc. may be butted up next to sides and top of firebox. Combustible materials should never overlap firebox front facing.



Indoor Firebox



Indoor/Outdoor Firebox

Figure 8 - Attaching Firebox to Wall Studs

⚠ WARNING: Do not allow any combustible materials to overlap firebox front facing.

IMPORTANT: Noncombustible materials such as brick, tile, etc. may overlap front facing, but should never cover any necessary openings like louvered slots.

⚠ WARNING: Do not allow noncombustible materials to cover any necessary openings like louvered slots.

⚠ WARNING: Use only non-combustible mortar or adhesives when overlapping the front facing with noncombustible facing material.

INSTALLING FIREBOX USING OPTIONAL ACCESSORY MANTELS

⚠ WARNING: A qualified service person must install firebox. Follow all local codes.

This firebox may be installed using a cabinet mantel accessory against a wall in your home. Firebox and cabinet mantel can be installed directly on floor. A trim kit is included with mantel accessories. Follow instructions with mantel for installation.

INSTALLATION

Continued

⚠ WARNING: Do not allow non-combustible materials to cover any necessary openings.

⚠ WARNING: Do not fill the spaces around the firebox with insulation or other materials.

⚠ WARNING: Framing may be placed or rest against fireplace spacer, however; framing must never be notched.

⚠ WARNING: Do not alter, cut or modify fireplace spacers.

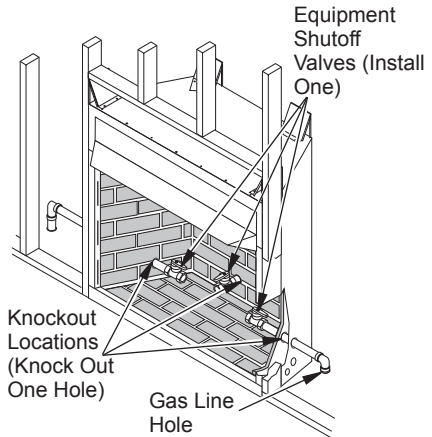


Figure 9 - Installing Gas Line and Equipment Shutoff Valve (Model May Vary From Illustration)

INSTALLING GAS LINE

NOTICE: A qualified service person must connect heater to gas supply. Follow all local codes.

IMPORTANT: See *Connecting to Gas Supply* in your log set owner's manual for details on gas hookup.

You may run gas line from either side or back of firebox (see Figure 9, page 13). Decide which side you want to run gas line from.

Note: This is one option for installing shutoff valve. Check local codes for equipment shutoff valve location requirements.

Locate recessed knockout in one firebrick liner (see Figures 9 and 10). Firmly tap center of knockout with a chisel until it is released. Carefully chisel rough edges of hole you have made to smooth edges. This hole will line up with hole in outer casing.

⚠ CAUTION: Do not use excessive force to remove the knockout. Too much force may damage the firebrick concrete insert.

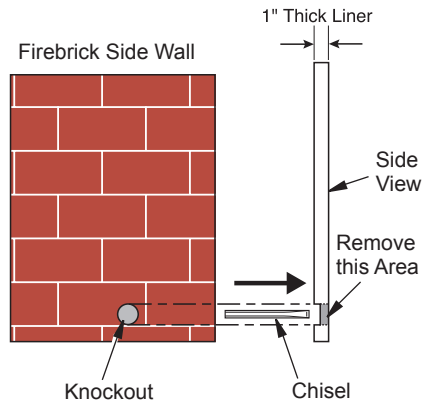


Figure 10 - Location of Knockout for Gas Line

INSTALLATION

Continued

OPTIONAL OUTSIDE AIR KIT (MODEL AK4/AK4F)

Installation of outside air kit should be performed during rough framing of fireplace due to the nature of its location. Outside combustion air is accessed through a vented crawl space (AK4F) or through a sidewall (AK4). See Figure 11.

CAUTION: Combustion air inlet ducts shall not terminate in attic space.

Secure to Collars with Metal Tape, Screws or Straps (Min. of 1/4" x 20" in size)

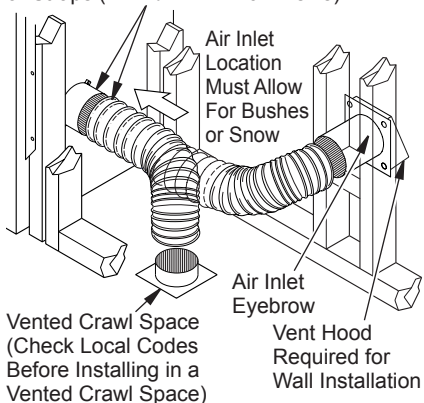
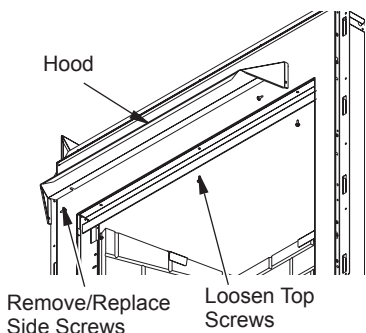


Figure 11 - Outside Air Kit

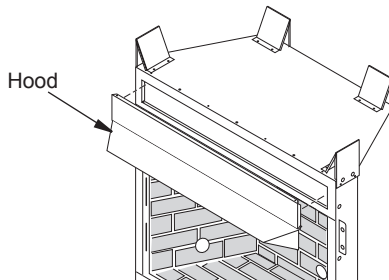
- For Indoor/outdoor models, loosen screws along the fireplace top face. Remove two screws along fireplace face side. Slide hood underneath screws on top and



**Figure 13 - Hood Placement
(Model May Vary From Illustration)**

INSTALLING FIREPLACE HOOD AND SCREEN

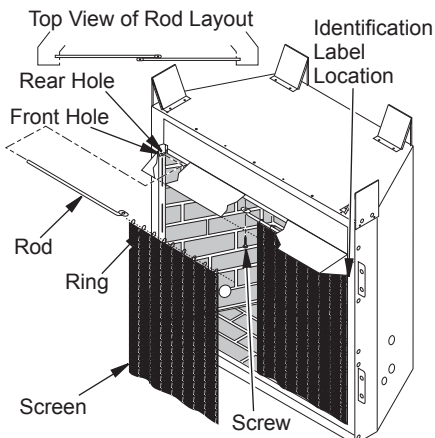
- For Indoor models, attach hood and front panel assembly by snapping panel assembly into fireplace opening (see Figure 12).



**Figure 12 - Hood Placement
(Model May Vary From Illustration)**

tighten screws. Replace screws on side of fireplace face side securing hood to the face (see Figure 13).

- Insert each screen rod through all rings located at top of screen.
- Insert first rod into rear hole in left side of firebox. Fasten rod to rear hole near center of firebox using #10 x 3/8" Phillips screw provided (see Figure 14).
- Insert other rod into front hole on right side of firebox and fasten using remaining Phillips screw.



**Figure 14 - Installing Fireplace Screen
(Model May Vary From Illustration)**

REPLACEMENT PARTS

Note: Use only original replacement parts. This will protect your warranty coverage for parts replaced under warranty.

Contact authorized dealers of this product. If they can't supply original replacement part(s), call INNOVATIVE HEARTH PRODUCTS at 1-800-655-2008

When calling, have ready:

- your name
- your address
- model and serial numbers of your heater
- how heater was malfunctioning
- purchase date

Usually, we will ask you to return the part to the factory.

TECHNICAL SERVICE

You may have further questions about installation, operation, or troubleshooting. If so, contact INNOVATIVE HEARTH PRODUCTS at 1-800-655-2008. When calling please have your model and serial numbers of your heater ready.

You can also visit our web site at www.IHP.US.com.

ACCESSORIES

NOTICE: All accessories may not be available for all fireplace models.

Purchase these accessories from your local dealer. If they can not supply these accessories call INNOVATIVE HEARTH PRODUCTS at 1-800-655-2008 for information. You can also write to the address listed on the back page of this manual.

HOODS

H36B - 36" Brushed Brass

H36P - 36" Platinum

H42B - 42" Brushed Brass

H42P - 42" Platinum

OUTSIDE AIR KIT

AK4 - Complete Kit w/ Collar, Hood and 3' of Flex Tube

AK4X - Collar and Hood (accepts any length of 4" flex tube)

AK4B - 50pc. Bulk Collar Only Kits

Optional kits provide additional air to reduce build-up of condensation that occurs in today's tightly constructed homes.

MANTELS

32" Mantels

W32TU - 32" Wall Mantel, Unfinished, Traditional

W32TO - 32" Wall Mantel, Oak Stain, Traditional

C32TU - 32" Corner Mantel, Unfinished, Traditional

C32TO - 32" Corner Mantel, Oak Stain, Traditional

W32CO - 32" Wall Mantel, Oak Stain, Classic

C32CO - 32" Corner Mantel, Oak Stain, Classic

W32DO - 32" Wall Mantel, Oak Stain, Dentil

W32GO - 32" Wall Mantel, Oak Stain,

Georgian

C32GO - 32" Corner Mantel, Oak Stain,

Georgian

36" Mantels

W36TU - 36" Wall Mantel, Unfinished, Traditional

W36TO - 36" Wall Mantel, Oak Stain, Traditional

C36TU - 36" Corner Mantel, Unfinished, Traditional

C36TO - 36" Corner Mantel, Oak Stain, Traditional

Note: No 42" mantels offered at this time.

PERIMETER TRIM

PT32 - 32" Black

PT32B - 32" Brushed Brass

PT32P - 32" Platinum

PT36 - 36" Black

PT36B - 36" Brushed Brass

PT36P - 36" Platinum

PT42 - 42" Black

PT42B - 42" Brushed Brass

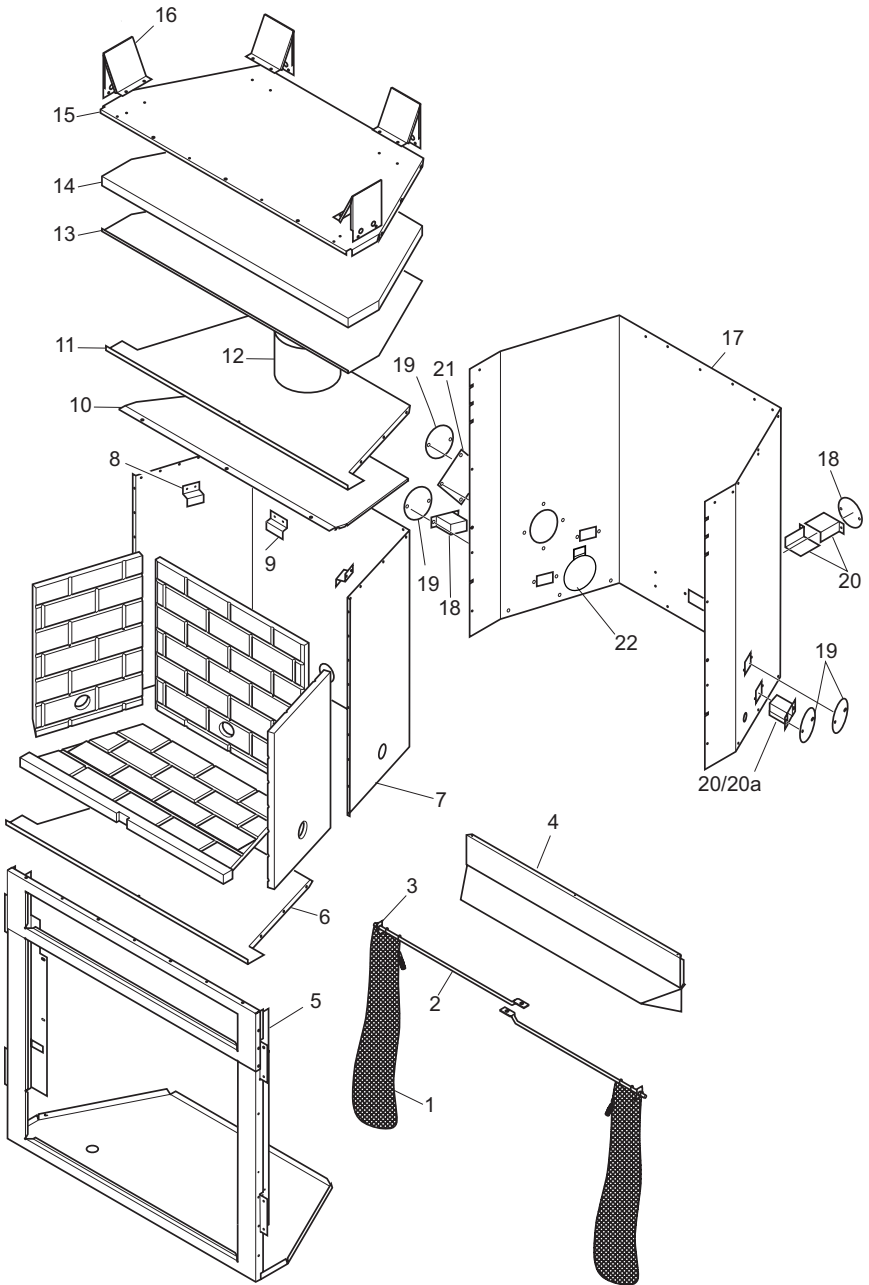
PT42P - 42" Platinum

VENT FREE GAS LOGS

Please visit www.IHP.US.com for specific models, sizing, specifications and dealers in your area.

PARTS

32", 36", AND 42" MODELS



PARTS

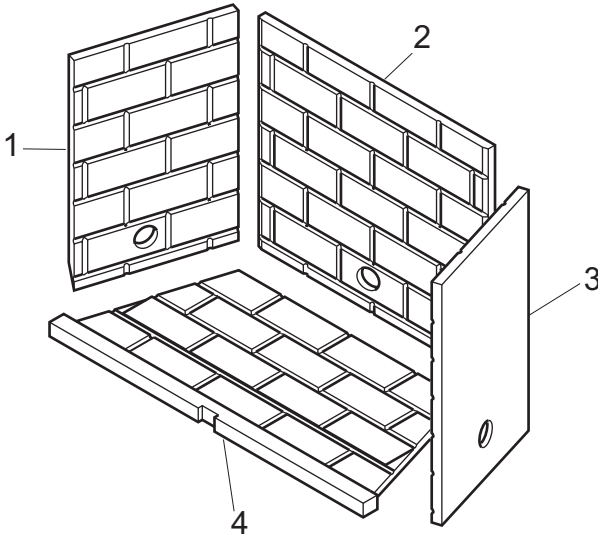
This list contains replaceable parts used in your firebox. When ordering parts, follow the instructions listed under Replacement Parts on page 14 of this manual.

KEY NO.	PART NO.	DESCRIPTION	32"	36"	42"	QTY.
1	116207-01	Screen 36"	•	•		2
	116207-02	Screen 32"	•			2
	116207-03	Screen 42"			•	2
	116207-04	Screen 36" Stainless				2
	116207-05	Screen 32" Stainless				2
	116207-06	Screen 42" Stainless				2
2	108700-01	Screen Rod 32"	•			2
	106691-01	Screen Rod 36"		•		2
	107839-01	Screen Rod 42"			•	2
	117568-04	Screen Rod 32" Stainless				2
	117568-05	Screen Rod 36" Stainless				2
	117568-06	Screen Rod 42" Stainless				2
3	11418	Push-On Nut	•	•	•	2
4	116631-01	Hood Assembly Panel	•			1
	116631-02	Hood Assembly Panel		•		1
	116631-03	Hood Assembly Panel			•	1
	108414-05	Stainless Hood 32"				1
	107944-05	Stainless Hood 36"				1
	107979-05	Stainless Hood 42"				1
5	**	Face Weldment	•	•	•	1
6	**	Firebox Bottom	•	•	•	1
7	**	Firebox Surround	•	•	•	1
8	116531-01	Refractory Retainer	•	•	•	2
9	116532-01	Rear Refractory Retainer	•	•	•	1
10	108413-01	Firebox Top Shield	•	•	•	1
11	**	Firebox Top	•	•	•	1
12	**	Starter Pipe Collar	•	•	•	1
13	**	Insulation Pan	•	•	•	1
14	**	Fireplace Top Insulation	•	•	•	1
15	**	Fireplace Top	•	•	•	1
16	20280	Top Spacer	•	•	•	4
17	**	Fireplace Surround	•	•	•	1
18	108654-01	Gas Conduit Left and Right Assembly	•			2
19	21171	Gas Knock-Out Cover	•	•	•	3-5
20	107128-01	Gas Conduit	•	•	•	2
20a	21379	Gas Conduit		•	•	2
	21380	Gas Conduit		•	•	2
21	20042	Cover Plate	•	•	•	1
22	**	Side Damper Weldment	•	•	•	1

** Not a field replaceable part.

PARTS

32", 36", AND 42" MODELS



KEY NO.	PART NO.	DESCRIPTION					QTY.
			VRT4032RS	VRT4032WS	VRT4032RH	VTFB32H	
1	108434-03	Left Refractory Stacked Red	•				1
	108434-04	Left Refractory Stacked White		•			1
	122810-02	Left Refractory Herringbone Red			•		1
	122810-01	Left Refractory Herringbone White				•	1
2	108430-03	Rear Refractory Stacked Red	•				1
	108430-04	Rear Refractory Stacked White		•			1
	122808-02	Rear Refractory Herringbone Red			•		1
	122808-01	Rear Refractory Herringbone White				•	1
3	108432-03	Right Refractory Stacked Red	•				1
	108432-04	Right Refractory Stacked White		•			1
	122809-02	Right Refractory Herringbone Red			•		1
	122809-01	Right Refractory Herringbone White				•	1
4	126065-02	Bottom Refractory Red	•	•			1
	126065-01	Bottom Refractory White		•		•	1

PARTS

This list contains replaceable parts used in your firebox. When ordering parts, follow the instructions listed under Replacement Parts on page 14 of this manual.

KEY			VRT4036RS	VRT4036WS	VRT4036RH	VRT4036WH	QTY.
NO.	PART NO.	DESCRIPTION					
1	106658-04	Left Refractory Stacked Red	•				1
	106658-05	Left Refractory Stacked White		•			1
	122814-02	Left Refractory Herringbone Red			•		1
	122814-01	Left Refractory Herringbone White				•	1
2	106660-04	Rear Refractory Stacked Red	•				1
	106660-05	Rear Refractory Stacked White		•			1
	122812-02	Rear Refractory Herringbone Red			•		1
	122812-01	Rear Refractory Herringbone White				•	1
3	106659-04	Right Refractory Stacked Red	•				1
	106659-05	Right Refractory Stacked White		•			1
	122813-02	Right Refractory Herringbone Red			•		1
	122813-01	Right Refractory Herringbone White				•	1
4	126066-02	Bottom Refractory Red	•	•			1
	126066-01	Bottom Refractory White		•	•		1

KEY			VRT4042RS	VRT4042WH	VRT4042RH	VRT4042WH	QTY.
NO.	PART NO.	DESCRIPTION					
1	107812-04	Left Refractory Stacked Red	•				1
	107812-05	Left Refractory Stacked White		•			1
	122818-02	Left Refractory Herringbone Red			•		1
	122818-01	Left Refractory Herringbone White				•	1
2	107816-04	Rear Refractory Stacked Red	•				1
	107816-05	Rear Refractory Stacked White		•			1
	122816-02	Rear Refractory Herringbone Red			•		1
	122816-01	Rear Refractory Herringbone White				•	1
3	107814-04	Right Refractory Stacked Red	•				1
	107814-05	Right Refractory Stacked White		•			1
	122817-02	Right Refractory Herringbone Red			•		1
	122817-01	Right Refractory Herringbone White				•	1
4	126067-02	Bottom Refractory Red	•	•			1
	126067-01	Bottom Refractory White		•	•		1

Innovative Hearth Products Superior™ Brand Gas Fireplaces, Stoves and Inserts 20 Year Limited Warranty

THE WARRANTY

Innovative Hearth Products ("IHP") 20 Year Limited Warranty warrants your Superior™ Brand gas fireplace, Stove or Insert ("Product") to be free from defects in materials and workmanship at the time of manufacture. The Product body and firebox carry the 20 Year Limited Warranty. Ceramic glass carries the 20 Year Limited Warranty against thermal breakage only. After installation, if covered components manufactured by IHP are found to be defective in materials or workmanship during the 20 Year Limited Warranty period and while the Product remains at the site of the original installation, IHP will, at its option, repair or replace the covered components. If repair or replacement is not commercially practical, IHP will, at its option, refund the purchase price or wholesale price of the IHP product, whichever is applicable. IHP will also pay IHP prevailing labor rates, as determined in its sole discretion, incurred in repairing or replacing such components for up to five years. THERE ARE EXCLUSIONS AND LIMITATIONS to this 20 Year Limited Warranty as described herein.

COVERAGE COMMENCEMENT DATE

Warranty coverage begins on the date of installation. In the case of new home construction, warranty coverage begins on the date of first occupancy of the dwelling or six months after the sale of the Product by an independent IHP dealer/distributor, whichever occurs earlier. The warranty shall commence no later than 24 months following the date of product shipment from IHP, regardless of the installation or occupancy date.

EXCLUSIONS AND LIMITATIONS

This 20 Year Limited Warranty applies only if the Product is installed in the United States or Canada and only if operated and maintained in accordance with the printed instructions accompanying the Product and in compliance with all applicable installation and building codes and good trade practices.

This warranty is non-transferable and extends to the original owner only. The Product must be purchased through a listed supplier of IHP and proof of purchase must be provided. The Product body and firebox carry the 20 Year Limited Warranty from the date of installation. Vent components, trim components and paint are excluded from this 20 Year Limited Warranty. The following do not carry the 20 Year Limited Warranty but are warranted as follows:

- Burner** – Repair or replacement for one year from the date of installation
- Gas components** – Repair or replacement for one year from the date of installation
- Gaskets** – Repair or replacement for one year from the date of installation
- Logs** – Replacement for one year from the date of installation against thermal breakage only
- Optional blowers & remote controls** – Repair or replacement for one year from the date of installation
- Optional glass doors** – Repair or replacement for 90 days from the date of installation
- Tempered glass** – Replacement for one year from the date of installation
- Labor coverage** – Prevailing IHP labor rates apply for the warranty period of the component

Parts not otherwise listed carry a 90 day warranty from the date of installation.

Whenever practicable, IHP will provide replacement parts, if available, for a period of 10 years from the last date of manufacture of the Product.

IHP will not be responsible for: (a) damages caused by normal wear and tear, accident, riot, fire, flood or acts of God; (b) damages caused by abuse, negligence, misuse, or unauthorized alteration or repair of the Product affecting its stability or performance (The Product must be subjected to normal use. The Product is designed to burn either natural or propane gas only. Burning conventional fuels such as wood, coal or any other solid fuel will cause damage to the Product, will produce excessive temperatures and could result in a fire hazard.); (c) damages caused by failing to provide proper maintenance and service in accordance with the instructions provided with the Product; (d) damages, repairs or inefficiency resulting from faulty installation or application of the Product.

IHP is not responsible for inadequate fireplace system draft caused by air conditioning and heating systems, mechanical ventilation systems, or general construction conditions which may generate negative pressure in the room in which the appliance is installed. Additionally IHP assumes no responsibility for drafting conditions caused by venting configurations, adjoining trees or buildings, adverse wind conditions or unusual environmental factors and conditions that affect the operation of the unit.

This 20 Year Limited Warranty covers only parts and labor as provided herein. In no case shall IHP be responsible for materials, components or construction, which are not manufactured or supplied by IHP or for the labor necessary to install, repair or remove such materials, components or construction. Additional utility bills incurred due to any malfunction or defect in equipment are not covered by this warranty. All replacement or repair components will be shipped F.O.B. from the nearest stocking IHP factory.

LIMITATION ON LIABILITY

It is expressly agreed and understood that IHP's sole obligation and the purchaser's exclusive remedy under this warranty, under any other warranty, expressed or implied, or in contract, tort or otherwise, shall be limited to replacement, repair, or refund, as specified herein.

In no event shall IHP be liable for any incidental or consequential damages caused by defects in the Product, whether such damage occurs or is discovered before or after repair or replacement, and whether such damage is caused by IHP's negligence. IHP has not made and does not make any representation or warranty of fitness for a particular use or purpose, and there is no implied condition of fitness for a particular use or purpose.

IHP makes no expressed warranties except as stated in this 20 Year Limited Warranty. The duration of any implied warranty is limited to the duration of this expressed warranty.

No one is authorized to change this 20 Year Limited Warranty or to create for IHP any other obligation or liability in connection with the Product. Some states and provinces do not allow the exclusion or limitation of incidental or consequential damages, so the above limitations or exclusions may not apply to you. The provisions of this 20 Year Limited Warranty are in addition to and not a modification of or subtraction from any statutory warranties and other rights and remedies provided by law.

INVESTIGATION OF CLAIMS AGAINST WARRANTY

IHP reserves the right to investigate any and all claims against this 20 Year Limited Warranty and to decide, in its sole discretion, upon the method of settlement.

To receive the benefits and advantages described in this 20 Year Limited Warranty, the appliance must be installed and repaired by a licensed contractor approved by IHP.

Contact IHP at the address provided herein to obtain a listing of approved dealers/distributors. **IHP shall in no event be responsible for any warranty work done by a contractor that is not approved without first obtaining IHP's prior written consent.**

HOW TO REGISTER A CLAIM AGAINST WARRANTY

In order for any claim under this warranty to be valid, you must contact the IHP dealer/distributor from which you purchased the product. If you cannot locate the dealer/distributor, then you must notify IHP in writing. IHP must be notified of the claimed defect in writing within 90 days of the date of failure. Notices should be directed to the IHP Warranty Department at 1508 Elm Hill Pike, Suite 108, Nashville, TN 37210 or visit our website at WWW.SUPERIORFIREPLACES.US.COM.

WARRANTY

KEEP THIS WARRANTY

Model (located on product or identification tag) _____

Serial No. (located on product or identification tag) _____

Date Purchased _____

Keep receipt for warranty verification.



P126709-01



1508 Elm Hill Pike, Suite 108
Nashville, TN 37210
1-800-655-2008
www.IHP.US.com

126709-01
Rev. A
02/14