



Installation and Operation Instructions

Superior™ Unvented (Vent-Free) Universal Firebox

P/N 126712-01 Rev.B 03/2014



P126712-01



Models

VRT3032 Series
VCT3032 Series

VRT3036 Series
VCT3036 Series
FBF36WS-LS

VRT3042 Series
VCT3042 Series

INSTALLER: Leave this manual with the appliance.
CONSUMER: Retain this manual for future reference.

⚠ WARNING: Carefully review the instructions supplied with the decorative type unvented room heater for the minimum fireplace size requirement.

Do not install the appliance in this firebox, unless this firebox meets the minimum dimensions required for the installation.

⚠ WARNING: For use only with a listed, gas-fired unvented decorative room heater not to exceed 40,000 Btu/H.

Do not build a wood fire.

⚠ WARNING: If the information in these instructions is not followed exactly, a fire or explosion may result causing property damage, personal injury or loss of life.

- Do not store or use gasoline or other flammable vapors and liquids in the vicinity of this or any other appliance.
- **WHAT TO DO IF YOU SMELL GAS:**
 - Do not try to light any appliance.
 - Do not touch any electrical switch; do not use any phone in your building.
 - Immediately call your gas supplier from a neighbor's phone. Follow the gas supplier's instructions.
 - If you cannot reach your gas supplier, call the fire department.
- Installation and service must be performed by a qualified installer, service agency or the gas supplier.

TABLE OF CONTENTS

Safety	2	Installation	10
Local Codes.....	3	Replacement Parts.....	21
Product Features.....	4	Technical Service.....	21
Locating Firebox.....	4	Accessories	22
Product Specifications.....	5	Parts	24
Air For Combustion and Ventilation.....	8	Warranty.....	29

SAFETY

⚠ WARNING: Improper installation, adjustment, alteration, service or maintenance can cause injury or property damage. Refer to this manual for correct installation and operational procedures. For assistance or additional information consult a qualified installer, service agency or the gas supplier.

This appliance may be installed in an aftermarket,* permanently located, manufactured (mobile) home, where not prohibited by local codes.

* Aftermarket: Completion of sale, not for purpose of resale, from the manufacturer

⚠ WARNING: This product contains and/or generates chemicals known to the state of California to cause cancer or birth defects or other reproductive harm.

IMPORTANT: Read this owner's manual carefully and completely before trying to assemble, operate or service this heater. Improper use of this fireplace can cause serious injury or death from burns, fire, explosion, electrical shock and carbon monoxide poisoning.

⚠ WARNING: Any change to this firebox or its controls can be dangerous.

⚠ WARNING: Do not allow fans to blow directly into the firebox. Avoid any drafts that alter burner flame patterns. Ceiling fans can create drafts that alter burner flame patterns. Altered burner patterns can cause sooting.

⚠ WARNING: Do not use a blower insert, heat exchanger insert or other accessory not approved for use with this firebox.

Do not place clothing or other flammable material on or near the appliance. Never place any objects in the firebox or on logs.

SAFETY

Continued

Firebox front and screen become very hot when running heater. Keep children and adults away from hot surface to avoid burns or clothing ignition. Firebox will remain hot for a time after shutdown. Allow surface to cool before touching.

Carefully supervise young children when they are in the room with firebox.

You must operate this fireplace with the provided fireplace screen, hood if provided, in place. Make sure these parts are in place and screens are closed before running firebox. The supplied hood may not be replaced with a hood which may be provided with a log heater.

Keep the fireplace area clear and free from combustible materials, gasoline and other flammable vapors and liquids.

1. Do not use this firebox as a wood-burning fireplace. Use only decorative unvented room heaters (log sets).
2. Do not add extra logs or ornaments such

as pine cones, vermiculite or rock wool. Using these added items can cause sooting.

3. Use only the provided hood or appropriate hood accessory. See *Accessories* on page 22.
4. Vent-free gas log heaters installed in these fireboxes require fresh air ventilation to run properly. See *Air for Combustion and Ventilation*, page 8.
5. Do not run firebox
 - where flammable liquids or vapors are used or stored
 - under dusty conditions
6. Do not use this firebox to cook food or burn paper or other objects.
7. Turn firebox off and let cool before servicing. Only a qualified service person should service and repair firebox.
8. Operating firebox above elevations of 4,500 feet could cause pilot outage.
9. Do not use the firebox if it has been under water due to the shock hazard that could result with the blower accessory (if installed) in place.

The firebox canopy (hood) must not be modified or replaced with a canopy (hood) that may be provided with the unvented decorative room heater.

LOCAL CODES

Install and use heater with care. Follow all local codes. In the absence of local codes, use the latest edition of *The National Fuel Gas Code, ANSI Z223.1/NFPA 54**. Firebox must be electrically grounded in accordance with the *National Electrical Code, ANSI/NFPA 70* (latest edition).

*Available from:

American National Standards Institute, Inc.
1430 Broadway
New York, NY 10018
National Fire Protection Association, Inc.
Batterymarch Park
Quincy, MA 02269

State of Massachusetts: The installation must be made by a licensed plumber or gas fitter in the Commonwealth of Massachusetts.

Sellers of unvented propane or natural gas-fired supplemental room heaters shall provide to each purchaser a copy of 527 CMR 30 upon sale of the unit.

Vent-free gas products are prohibited for bedroom and bathroom installation in the Commonwealth of Massachusetts.

PRODUCT FEATURES

OPERATION

This firebox is designed for use with approved ANSI Z21.11.2 decorative type unvented room heaters. (Physical size limitations apply. Refer to minimum firebox requirements supplied with log heater.) It requires no outside venting or chimney making installation easy and inexpensive. When used without the blower, the firebox requires no electricity making it ideal for emergency backup heat.

BLOWER ACCESSORY

The circulating models will accept either a rotary type fan (model BK) or the triple radial fan blower system (model BK3) accessories. The blower circulates heated air from the firebox into the room. Use of blower is optional.

REFRACTORY BRICK LINER

Your firebox may feature a concrete refractory brick liner. As with all concrete liners, this liner may develop slight cracks when exposed to heat. These cracks will not affect the performance of the fireplace or vent-free gas logs.

OPTIONAL FIBER AND PORCELAIN LINERS

For a vintage look, the fiber panels give a old masonry brick look and are light weight and easy to install. For a modern look, the porcelain panels accessory have a black sleek finish that reflects the glow of the flame.

OPTIONAL OUTSIDE AIR KIT

The optional AK4 and AK4F air kit provides additional outdoor air to improve burner efficiency and reduce build-up of condensation in the living space. Follow the instructions included with the air kit.

LOCATING FIREBOX

PLANNING

Plan where you will install the firebox. This will save time and money later when you install the firebox. Before installation, consider the following:

1. Where the firebox will be located. Allow for wall and ceiling clearances (see *Installation Clearances*, page 11).
2. Everything needed to complete installation.

3. These models CANNOT be installed in a bedroom unless the maximum BTU rating of the installed vent-free log set is less than 10,000 Btu/Hr.
4. Proper air for combustion and ventilation (page 8).

PRODUCT SPECIFICATIONS

32" MODELS

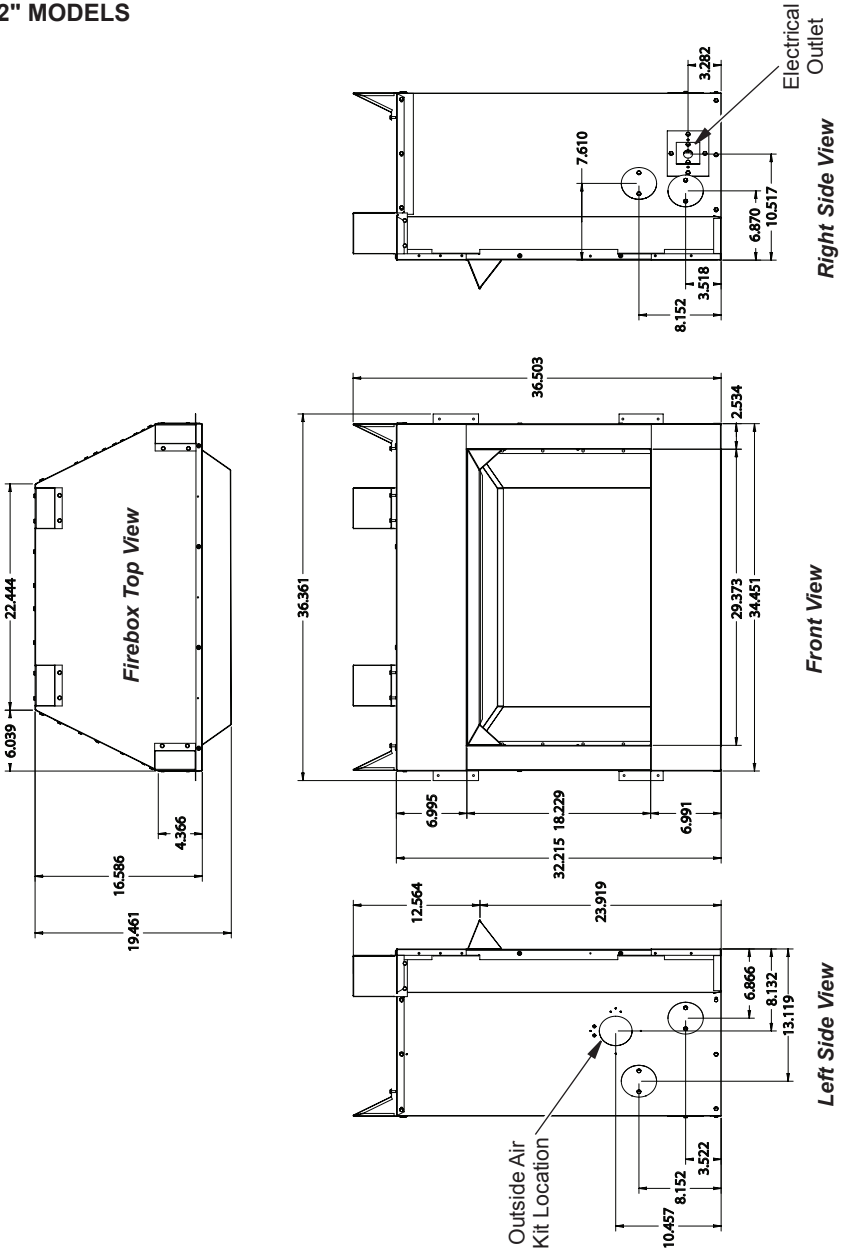


Figure 1 - Product Specifications 32" Models

PRODUCT SPECIFICATIONS

Continued

36" MODELS

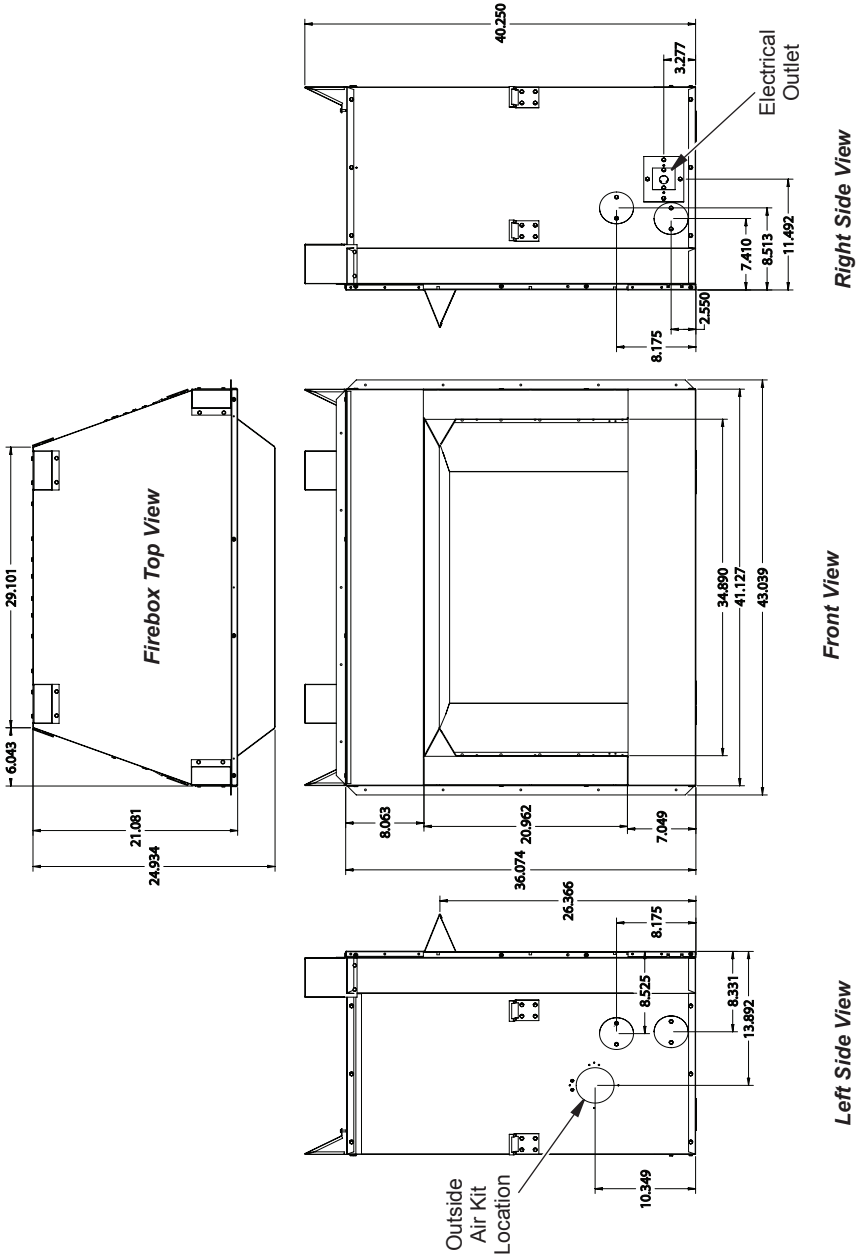


Figure 2 - Product Specifications 36" Models

PRODUCT SPECIFICATIONS

Continued

42" MODELS

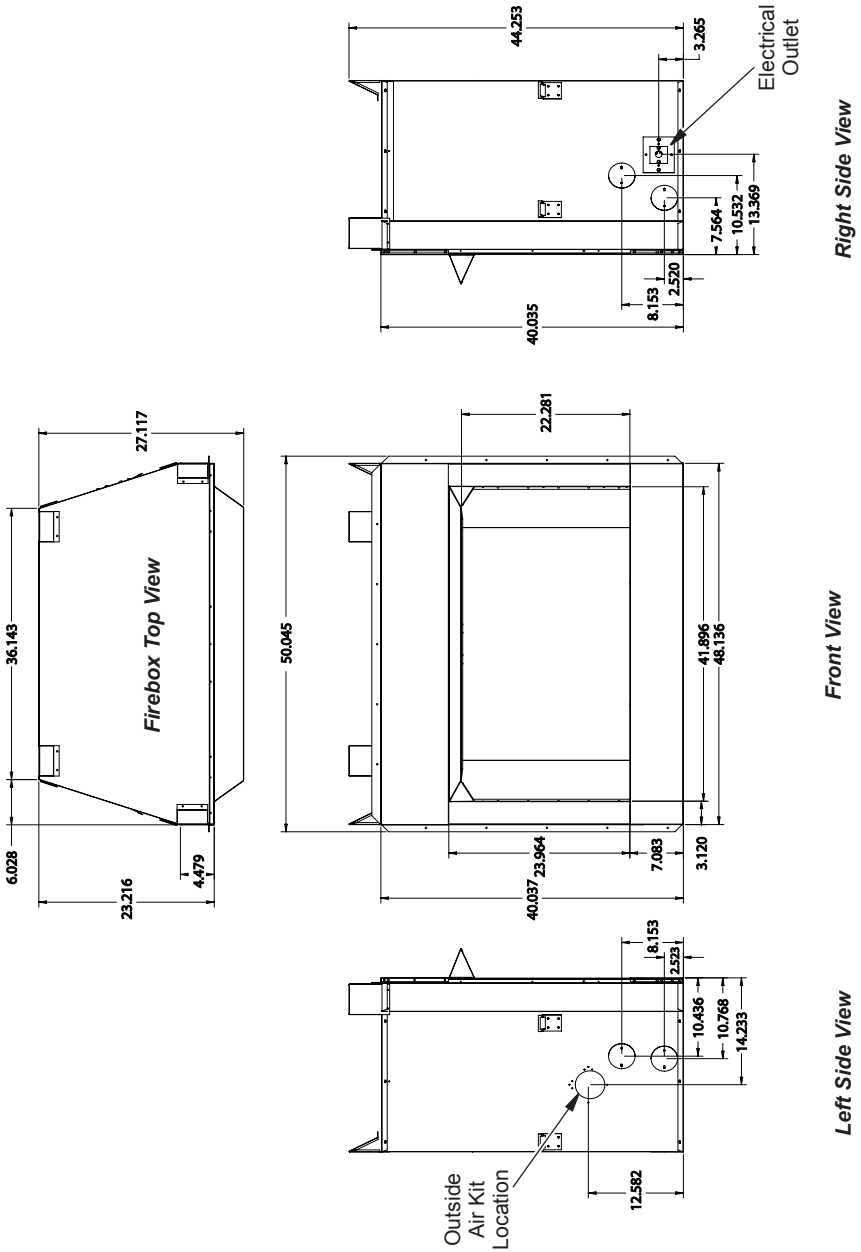


Figure 3 - Product Specifications 42" Models

AIR FOR COMBUSTION AND VENTILATION

⚠ WARNING: This heater shall not be installed in a room or space unless the required volume of indoor combustion air is provided by the method described in the *National Fuel Gas Code, ANSI Z223.1/NFPA 54, the International Fuel Gas Code, or applicable local codes. Read the following instructions to insure proper fresh air for this and other fuel-burning appliances in your home.*

Today's homes are built more energy efficient than ever. New materials, increased insulation and new construction methods help reduce heat loss in homes. Home owners weather strip and caulk around windows and doors to keep the cold air out and the warm air in. During heating months, home owners want their homes as airtight as possible.

While it is good to make your home energy efficient, your home needs to breathe. Fresh air must enter your home. All fuel-burning appliances need fresh air for proper combustion and ventilation.

Exhaust fans, fireboxes, clothes dryers and fuel burning appliances draw air from the house to operate. You must provide adequate fresh air for these appliances. This will insure proper venting of vented fuel-burning appliances.

PROVIDING ADEQUATE VENTILATION

The following are excerpts from *National Fuel Gas Code, ANSI Z223.1/NFPA 54, Air for Combustion and Ventilation*.

All spaces in homes fall into one of the three following ventilation classifications:

1. Unusually Tight Construction
2. Unconfined Space
3. Confined Space

The information on page 8 through 10 will help you classify your space and provide adequate ventilation.

Unusually Tight Construction

The air that leaks around doors and windows may provide enough fresh air for combustion and ventilation. However, in buildings of unusually tight construction, you must provide additional fresh air.

Unusually tight construction is defined as construction where:

- a. walls and ceilings exposed to the outside atmosphere have a continuous water vapor retarder with a rating of one perm (6×10^{-11} kg per pa-sec- m^2) or less with openings gasketed or sealed and
- b. weather stripping has been added on openable windows and doors and
- c. caulking or sealants are applied to areas such as joints around window and door frames, between sole plates and floors, between wall-ceiling joints, between wall panels, at penetrations for plumbing, electrical and gas lines and at other openings.

If your home meets all of the three criteria above, you must provide additional fresh air. See [Ventilation Air From Outdoors](#), page 10.

If your home does not meet all of the three criteria above, proceed to [Determining Fresh-Air Flow for Firebox Location](#), page 9.

Confined and Unconfined Space

The *National Fuel Gas Code, ANSI Z223.1/NFPA 54* defines a confined space as a space whose volume is less than 50 cubic feet per 1,000 Btu per hour (4.8 m^3 per kw) of the aggregate input rating of all appliances installed in that space and an unconfined space as a space whose volume is not less than 50 cubic feet per 1,000 Btu per hour (4.8 m^3 per kw) of the aggregate input rating of all appliances installed in that space. Rooms communicating directly with the space in which the appliances are installed*, through openings not furnished with doors, are considered a part of the unconfined space.

* Adjoining rooms are communicating only if there are doorless passageways or ventilation grills between them.

AIR FOR COMBUSTION AND VENTILATION

Continued

DETERMINING FRESH-AIR FLOW FOR HEATER LOCATION

Determining if You Have a Confined or Unconfined Space

Use this work sheet to determine if you have a confined or unconfined space.

Space: Includes the room in which you will install heater plus any adjoining rooms with doorless passageways or ventilation grills between the rooms.

1. Determine the volume of the space (length x width x height).

Length x Width x Height = _____ cu. ft.
(volume of space)

Example: Space size 22 ft. (length) x 18 ft. (width) x 8 ft. (ceiling height) = 3168 cu. ft. (volume of space)

If additional ventilation to adjoining room is supplied with grills or openings, add the volume of these rooms to the total volume of the space.

2. Multiply the space volume by 20 to determine the maximum Btu/Hr the space can support.

_____ (volume of space) x 20 = (Maximum Btu/Hr the space can support)

Example: 3168 cu. ft. (volume of space) x 20 = 63,360 (maximum Btu/Hr the space can support)

3. Add the Btu/Hr of all fuel burning appliances in the space.

Vent-free heater	_____	Btu/Hr
Gas water heater*	_____	Btu/Hr
Gas furnace	_____	Btu/Hr
Vented gas heater	_____	Btu/Hr
Gas fireplace logs	_____	Btu/Hr
Other gas appliances* +	_____	Btu/Hr
Total	= _____	Btu/Hr

* Do not include direct-vent gas appliances. Direct-vent draws combustion air from the outdoors and vents to the outdoors.

Example:

Gas water heater	_____	40,000	Btu/Hr
Vent-free heater	+ _____	39,000	Btu/Hr
Total	= _____	79,000	Btu/Hr

4. Compare the maximum Btu/Hr the space can support with the actual amount of Btu/Hr used.

_____ Btu/Hr (maximum the space can support)

_____ Btu/Hr (actual amount of Btu/Hr used)

Example: 63,360 Btu/Hr (maximum the space can support)
79,000 Btu/Hr (actual amount of Btu/Hr used)

The space in the above example is a confined space because the actual Btu/Hr used is more than the maximum Btu/Hr the space can support. You must provide additional fresh air. Your options are as follows:

- A. Rework worksheet, adding the space of an adjoining room. If the extra space provides an unconfined space, remove door to adjoining room or add ventilation grills between rooms. See Ventilation Air From Inside Building, page 10.
- B. Vent room directly to the outdoors. See Ventilation Air From Outdoors, page 10.
- C. Install a lower Btu/Hr heater, if lower Btu/Hr size makes room unconfined.

If the actual Btu/Hr used is less than the maximum Btu/Hr the space can support, the space is an unconfined space. You will need no additional fresh air ventilation.

⚠ WARNING: If the area in which the heater may be operated does not meet the required volume for indoor combustion air, combustion and ventilation air shall be provided by one of the methods described in the *National Fuel Gas Code, ANSI Z223.1/NFPA 54, the International Fuel Gas Code, or applicable local codes.*

AIR FOR COMBUSTION AND VENTILATION

VENTILATION AIR

Ventilation Air From Inside Building

This fresh air would come from an adjoining unconfined space. When ventilating to an adjoining unconfined space, you must provide two permanent openings: one within 12" of the ceiling and one within 12" of the floor on the wall connecting the two spaces (see options 1 and 2, Figure 4). You can also remove door into adjoining room (see option 3, Figure 4). Follow the *National Fuel Gas Code, ANSI Z223.1/NFPA 54, Air for Combustion and Ventilation* for required size of ventilation grills or ducts.

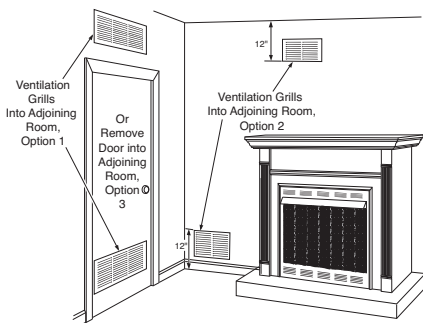


Figure 4 - Ventilation Air from Inside Building

Ventilation Air From Outdoors

Provide extra fresh air by using ventilation grills or ducts. You must provide two permanent openings: one within 12" of the ceiling and one within 12" of the floor. Connect these items directly to the outdoors or spaces open to the outdoors. These spaces include attics and crawl spaces. Follow the *National Fuel Gas Code, ANSI Z223.1/NFPA 54, Air for Combustion and Ventilation* for required size of ventilation grills or ducts.

IMPORTANT: Do not provide openings for inlet or outlet air into attic if attic has a thermostat-controlled power vent. Heated air entering the attic will activate the power vent.

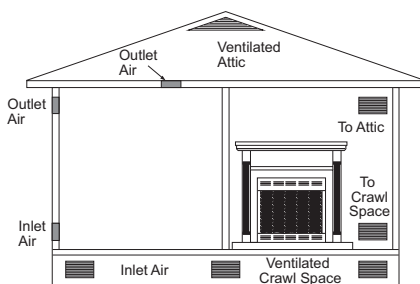


Figure 5 - Ventilation Air from Outdoors

INSTALLATION

WARNING: A qualified service person must install firebox. Follow all local codes.

WARNING: Never install the firebox

- in a bedroom or bathroom*
- in a recreational vehicle
- where curtains, furniture, clothing or other flammable objects are less than 42" from the front, top or sides of the firebox
- in high traffic areas
- in windy or drafty areas

* Unless the installed log set is rated at 10,000 Btu/Hr or less in a bedroom or 6,000 Btu/Hr or less in a bathroom.

CAUTION: Log heaters installed in this firebox create warm air currents. These currents move heat to wall surfaces next to firebox. Installing firebox next to vinyl or cloth wall coverings or operating firebox where impurities (such as, but not limited to, tobacco smoke, aromatic candles, cleaning fluids, oil or kerosene lamps, etc.) in the air exist, may discolor walls or cause odors.

INSTALLATION

Continued

IMPORTANT: Vent-free gas log heaters add moisture to the air. Although this is beneficial, installing firebox in rooms without enough ventilation air may cause mildew to form from too much moisture. See [Air for Combustion and Ventilation](#), page 8.

IMPORTANT: Make sure firebox is level. If firebox is not level, log set will not work properly.

Note: Your firebox is designed to be used in zero clearance installations. Wall or framing material can be placed against any exterior surface on the rear, sides, top or bottom of your firebox, except where standoff spacers are integrally attached. If standoff spacers are attached to your firebox, these spacers can be placed directly against wall or framing materials. Use the dimensions shown for rough opening to create the easiest installation.

Use dimensions shown for rough openings to create the easiest installation (see [Built-In Firebox Installation](#), page 12).

INSTALLATION CLEARANCES

WARNING: Maintain the minimum clearances. If you can, provide greater clearances from floor, ceiling and adjoining wall.

Carefully follow these instructions. This will ensure safe installation.

Minimum Wall and Ceiling Clearances (see Figure 6)

A. Clearances from the side of fireplace cabinet to any combustible material and wall should follow diagram in Figure 6.

Example: The face of a mantel, bookshelf, etc. is made of combustible material and protrudes 3 1/2" from the wall. This combustible material must be 4" from the side of the fireplace cabinet (see Figure 6).

B. Clearances from the top of firebox opening to ceiling should not be less than 42".

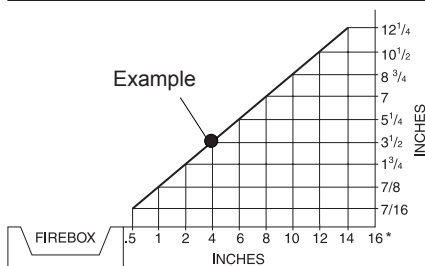
C. When firebox is installed on carpeting or other combustible material, other than wood flooring, firebox should be installed on a metal or wood panel extending the full width and depth of enclosure.

D. Clearances from bottom of firebox to the floor is 0".

These fireboxes can be installed as freestanding units against a wall with the approved,

optional cabinet mantels (see [Accessories](#), page 22) or as a built-in unit. Clearances are the same for either installation method.

CAUTION: Do not install the firebox directly on carpet or vinyl.



*Minimum 16" from Side Wall

Figure 6 - Minimum Clearance for Combustible to wall

Mantel Clearances for Built-In Installation

If placing custom mantel above built-in firebox, you must meet the minimum allowable clearance between mantel shelf and top of firebox opening shown in Figure 7, page 12. These are the minimum allowable mantel clearances for a safe installation. Use larger clearances wherever possible to minimize the heating of objects and materials placed on the mantel.

CAUTION: Do not allow the vent-free gas log heater to touch or extend beyond the fireplace screen.

NOTICE: Surface temperatures of adjacent walls and mantels become hot during operation. Walls and mantels above the firebox may become hot to the touch. If installed properly, these temperatures meet the requirement of the national product standard. Follow all minimum clearances shown in this manual.

INSTALLATION

NOTICE: If your installation does not meet the minimum clearances shown, you must do one of the following:

- raise the mantel to an acceptable height
- remove the mantel

BUILT-IN FIREBOX INSTALLATION

Built-in installation of this firebox involves installing firebox into a framed-in enclosure. This makes the front of firebox flush with wall. Optional brass trim accessories are available (see *Accessories*, page 22). The brass trim will extend past sides of firebox approximately 1/2". This will cover the rough edges of the wall opening. If installing a mantel above the firebox, you must follow the clearances shown in Figure 7. Follow the instructions below to install the firebox in this manner.

1. Frame in rough opening. The firebox framing should be constructed of 2 x 4 lumber or heavier. Use dimensions in Table 1 and rough opening layout in Figure 8a. Adjust framing so that firebox flushes with finished wall surface. If installing in a corner, use dimensions in Figures 8b, 8c and 8d for rough opening.
2. Install gas piping to firebox location. See *Installing Gas Line*, page 14 and *Connecting to Gas Supply* in log set owner's manual.

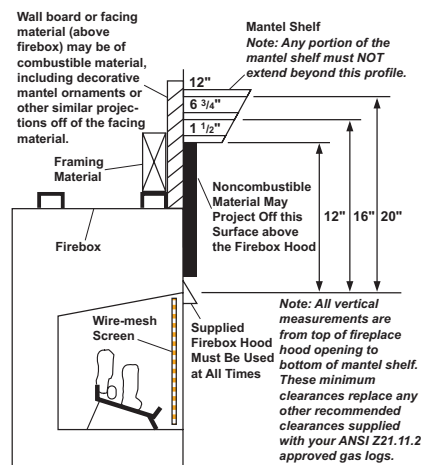
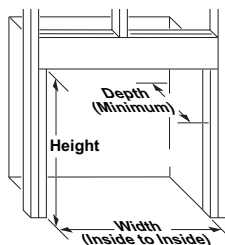


Figure 7 - Minimum Mantel Clearances for Built-In Installation

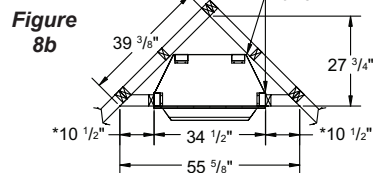
Table 1

Rough Opening Dimensions for Built-in Installation			
Model	Front Width (Inside to Inside)	Height	Depth (Min.)
32"	34 1/2"	36 5/8"	16 5/8"
36"	41 3/8"	40 1/4"	21 1/8"
42"	48 1/4"	43 3/4"	23 1/2"

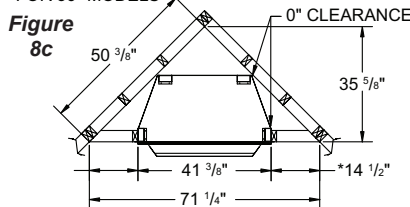
Figure 8a



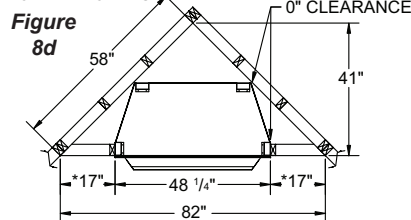
FOR 32" MODELS



FOR 36" MODELS



FOR 42" MODELS



* These dimensions allow for min. Clearances to a 45° projected side wall. However, clearances to projected mantel trims and facings are allowed within a min. Of 16" to a perpendicular wall as shown in figure 6, on page 11.

Figure 8 - Rough Opening Dimensions

INSTALLATION

Continued

IMPORTANT: If installing blower accessory, see *Wiring Instructions*, page 14.

- Carefully set firebox in front of rough opening with back of firebox inside wall opening. **IMPORTANT:** If installing a perimeter trim kit, see instructions included with trim accessory. You must install shoulder screws from trim kit now.
- Carefully insert firebox into rough opening.
- Attach firebox to wall studs using nails or wood screws through holes in nailing flange (see Figure 9).
- If using an optional perimeter trim kit, install the trim after final finishing and/or painting of wall. See instructions included with trim accessory for attaching trim.
- Install and properly test gas log heater. Follow installation instructions included with the vent-free gas log heater that is being installed.

IMPORTANT: When finishing your firebox, combustible materials such as wall board, gypsum board, sheet rock, drywall, plywood, etc. may be butted up next to the sides and top of the firebox. Combustible materials should never overlap the firebox front facing.

⚠ WARNING: Do not allow any combustible materials to overlap the firebox front facing.

WARNING: DO NOT FILL THE SPACES AROUND THE FIREBOX WITH INSULATION OR OTHER MATERIALS.

WARNING: DO NOT ALTER, CUT, OR MODIFY FIREPLACE SPACERS.

WARNING: FRAMING MAY BE PLACED OR REST AGAINST FIREPLACE SPACER, HOWEVER, FRAMING MUST NEVER BE NOTCHED.

IMPORTANT: Noncombustible materials such as brick, tile, etc. may overlap the front facing, but should never cover any necessary openings like louvered slots.

⚠ WARNING: Do not allow noncombustible materials to cover any necessary openings like louvered slots.

⚠ WARNING: Use only noncombustible mortar or adhesives when overlapping the front facing with noncombustible facing material.

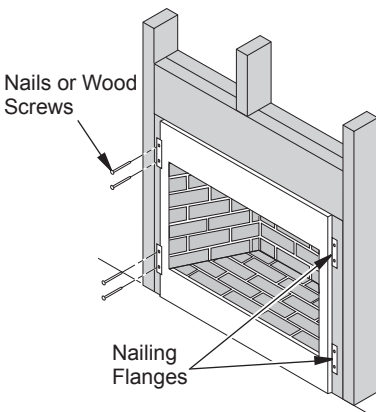


Figure 9 - Attaching Firebox to Wall Studs (Model May Vary From Illustration)

INSTALLING FIREBOX USING OPTIONAL ACCESSORY MANTELS

⚠ WARNING: A qualified service person must install firebox. Follow all local codes.

This firebox may be installed using a cabinet mantel accessory against a wall in your home. The firebox and cabinet mantel can be installed directly on the floor. A trim kit is included with the mantel accessories. Follow instructions with mantel for installation.

INSTALLATION

Continued

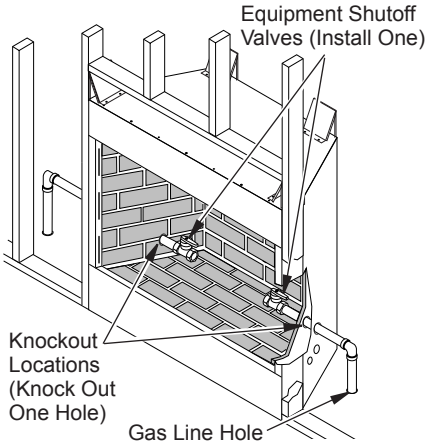


Figure 10 - Installing Gas Line and Equipment Shutoff Valve (Model May Vary From Illustration)

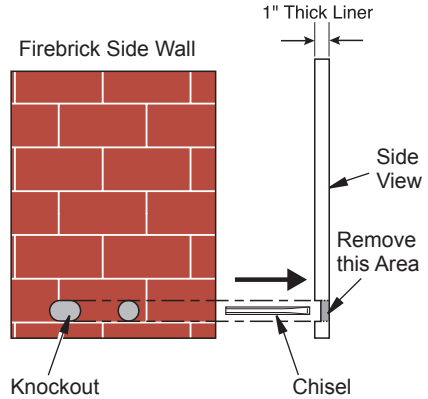


Figure 11 - Location of Knockout for Gas Line

INSTALLING GAS LINE

NOTICE: A qualified service person must connect heater to gas supply. Follow all local codes.

IMPORTANT: See *Connecting to Gas Supply* in your log set owner's manual for details on gas hookup.

You may run the gas line from either side of the firebox (see Figure 10). Decide which side you want to run the gas line from.

Note: This is one option for installing shutoff valve. Check local codes for equipment shutoff valve location requirements.

Locate the recessed knockout in one of the firebrick sidewall liners (see Figures 10 and 11). Firmly tap the center of the knockout with a chisel until it is released. Carefully chisel the rough edges of the hole you have made to smooth edges. This hole will line up with the hole in the outer casing.

CAUTION: Do not use excessive force to remove the knockout. Too much force may damage the firebrick concrete insert.

INSTALLING OPTIONAL BLOWER ACCESSORIES

NOTICE: The firebox identification label (including model number, serial number, clearances, etc.) is located in the right side screen pocket area on the front of the firebox. See Figure 24, page 20.

NOTICE: If a log set is installed in the firebox, disconnect log set from gas supply and remove from firebox. Contact a qualified service person to do this.

Note: Appearance of firebox may vary depending on model.

There are two (2) blower accessory options for use in this fireplace. Blower accessory models are BK available on all units and BK3 available for VCT36 and VCT42 series. Model BK is a rotary squirrel cage type blower with magnetic attachment and variable speed control. The BK3 is a triple fan blower system with an on/off rocker switch.

INSTALLATION

Continued

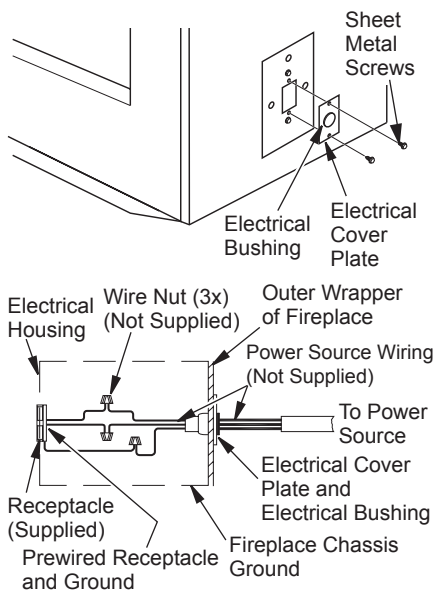


Figure 12 - Electrical Bushing

Wiring Instructions

1. Remove electrical cover plate with bushing from fireplace by removing 2 sheet metal screws as shown in Figure 12.
2. Slide power source wiring through electrical bushing opening and electrical cover plate and make all necessary connections.
3. Slide all wiring connections in electrical housing as shown in Figure 12.
4. Secure electrical cover plate with screws previously removed.

Note: Electrical housing and cover plate have sharp edges. Wear protective gloves.

Decide which way you intend to gain access into the bottom rear of the firebox to install the blower accessory. The lower front panel can be removed easily by snapping out the front with a flat blade screwdriver. Use caution not to scratch any surfaces. Models with louvered front panels can also be removed by inserting fingertips between slots and gently pulling out. Accessibility to the bottom on 36" and 42" models only, can also be gained through the access panel underneath the bottom front

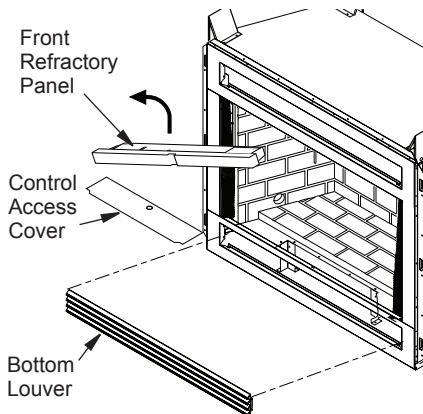


Figure 13 - Accessing Blower Compartment (Controls Not Shown for Clarity)

refractory brick liner. Lift the bottom front refractory brick liner up and out of the firebox floor, exposing the rectangular shaped access panel (see Figure 13). The sides and back refractory brick liner pieces do not have to be removed. Lift access panel out by using finger holes. Blower accessory BK or BK3 can now be installed.

⚠ WARNING: If there is a duplex electrical outlet installed in the right side of the bottom of the fireplace base area (see Figure 14), be sure that the electrical power to the outlet is turned off before proceeding with blower installation. Failure to do this may result in serious injury.

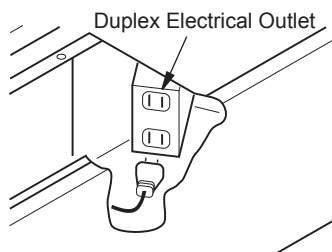


Figure 14 - Accessing Duplex Electrical Outlet Installed in Bottom Right Side of Firebox

INSTALLATION

Continued

Model BK Installation

1. Be certain that all wire terminals are securely attached to terminals on blower motor and that the screw retaining the green ground wire is tight (see Figure 15).
2. Place blower against lower rear wall of firebox outer wrapper with exhaust port directed upward. Depending on your model, you may have to carefully route the blower assembly past controls and brackets and position blower inside back opening. The blower will be held in position against the back wall by magnets incorporated onto blower housing (see Figures 15 and 16).

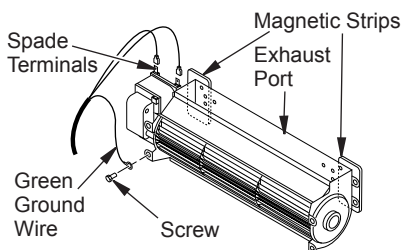


Figure 15 - Blower Model BK

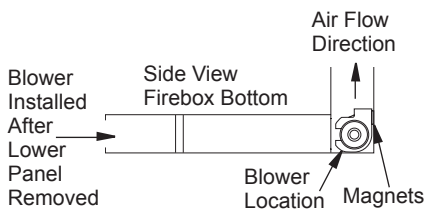


Figure 16 - Blower Model BK (Side View)

3. Remove metal lock nut from plastic control shaft by turning lock nut with pliers counter clockwise. Mount speed control box by placing plastic control shaft through hole on lower portion of the left or right side of secondary face by sliding control box down through large hole in firebox bottom and up behind firebox side (see Figure 17). Secure speed control to side face with previously removed lock nut by pushing and turning lock nut clockwise with pliers until it is tight against side face of fireplace (see Figure 17).

⚠ CAUTION: Use gloves as sheet metal parts may be sharp.

4. Place control knob, provided, onto control shaft (see Figure 17).
5. Check to make sure power cord is completely clear of blower wheel and there are no foreign objects in blower wheel. Also, double check all wire leads and make sure wire routing is not pinched or in a precarious position. Correct accordingly.

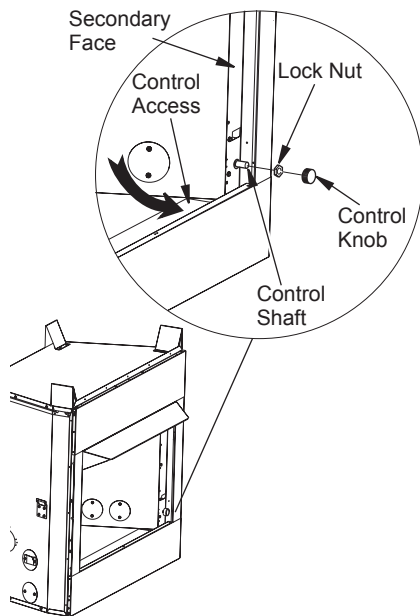


Figure 17 - Attaching Speed Control (Model May Vary From Illustration)

INSTALLATION

Continued

⚠ CAUTION: Never touch blower wheel while in operation.

6. Turn on power to duplex outlet if previously turned off per warning in column 2, page 15.
7. Plug in blower power cord to duplex outlet (see Figure 14, page 15).
8. Turn blower on and check for operation. Turn blower off by turning knob fully counterclockwise before continuing.
9. Peel off backing paper and stick supplied wiring diagram decal on firebox bottom approximately 12" in front of blower (see Figure 18).
10. Replace all panels and/or brick bottom panel if previously removed.

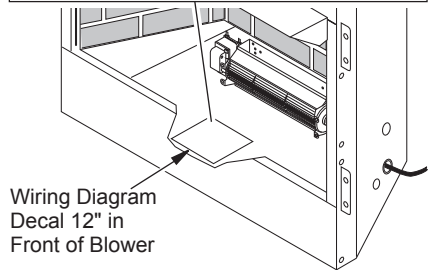
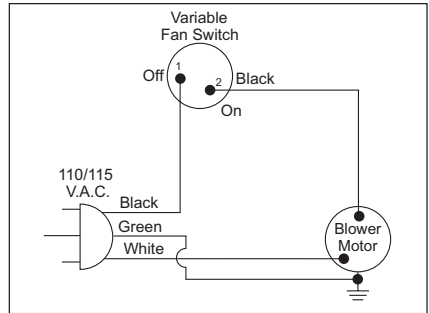


Figure 18 - Location of Wiring Diagram Decal (Model May Vary From Illustration)

INSTALLATION

Continued

Model BK3 Installation (VCT3036 and VCT3042 Models Only)

1. Place BK3 fan assembly between two leg stands with fan blades pointing toward rear of fireplace (see Figure 19).
2. Using screws provided, fasten upper flange of blower bracket to hearth pan and end flanges to leg stands (see Figure 19).
Note: The wire assembly must be arranged in front of and away from fan blades to reach power receptacle plug.

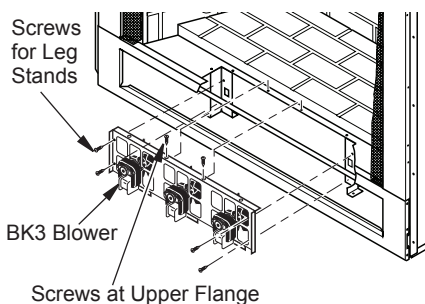


Figure 19 - Mounting BK3 Blower

3. Connect wire connectors to rear of switch terminals on rocker switch.
4. Check to make sure power cord is completely clear of blower and that there are no foreign objects in blower. Also, double check all wire leads and make sure wire routing is not pinched or in a precarious position. Correct accordingly.
5. Turn on power to duplex outlet if previously turned off per warning in column 2, page 15.
6. Plug in blower power cord to duplex outlet (see Figure 14, page 15).
7. Using ON/OFF rocker switch to turn blower on and check for operation. Turn blower off before continuing.
8. Peel off backing paper and stick supplied wiring diagram decal on firebox bottom approximately 12" in from of blower (see Figure 18, page 17).
9. Replace all panels and/or brick bottom panel if previously removed.

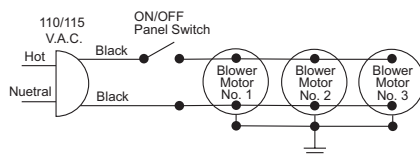


Figure 20 - BK3 Wiring Diagram

INSTALLATION

Continued

OPTIONAL OUTSIDE AIR KIT (MODEL AK4/AK4F)

Installation of outside air kit should be performed during rough framing of fireplace due to the nature of its location. Outside combustion air is accessed through a vented crawl space (AK4F) or through a sidewall (AK4). See Figure 21.

⚠ CAUTION: Combustion air inlet ducts shall not terminate in attic space.

Secure to Collars with Metal Tape, Screws or Straps (Min. of 1/4" x 20" in size)

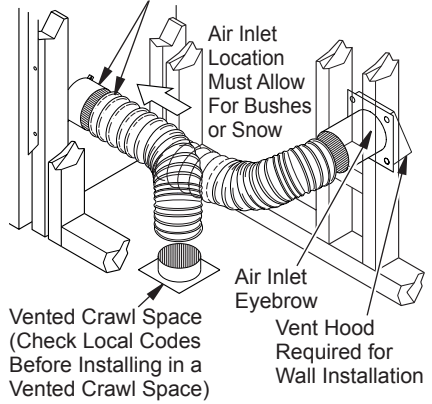


Figure 21 - Outside Air Kit

INSTALLATION

Continued

INSTALLING FIREPLACE HOOD AND SCREEN

1. Attach hood to firebox using screws provided (see Figure 22).
2. Insert each rod through all rings located at top of screen.
3. Insert first rod into rear hole in left side of firebox. Fasten rod to rear hole near center of firebox using #10 x 3/8" Phillips screw provided (see Figure 23).
4. Insert other rod into front hole on right side of firebox and fasten using remaining Phillips screw.

LOCATING ACCESS COVER PLATE

Sheet metal cover plates located underneath front hearth refractory (if included) may have shifted or moved out of place while fireplace was in transit. These cover plates must be kept in the proper location prior to using the fireplace (See Figure 25).

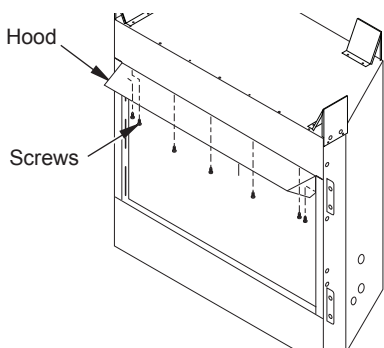


Figure 22 - Screw and Hood Placement
(Model May Vary From Illustration)

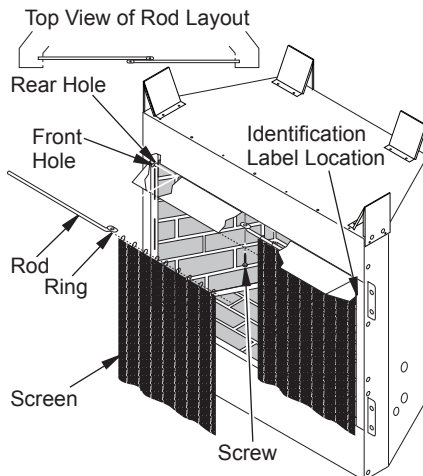


Figure 23 - Installing Fireplace Screen
(Model May Vary From Illustration)

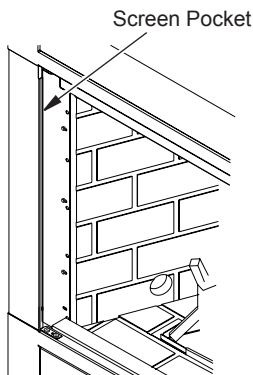


Figure 24 - Screen Pocket Location

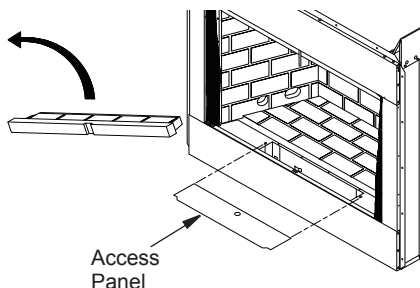


Figure 25 - Locating Access Cover Plate

REPLACEMENT PARTS

Note: Use only original replacement parts. This will protect your warranty coverage for parts replaced under warranty.

Contact authorized dealers of this product. If they can't supply original replacement part(s), call INNOVATIVE HEARTH PRODUCTS at 1-800-655-2008.

When calling, have ready:

- your name
- your address
- model and serial numbers of your heater
- how heater was malfunctioning
- purchase date

Usually, we will ask you to return the part to the factory.

TECHNICAL SERVICE

You may have further questions about installation, operation, or troubleshooting. If so, contact INNOVATIVE HEARTH PRODUCTS at 1-800-655-2008. When calling please have your model and serial numbers of your heater ready.

You can also visit our web site at www.IHP.US.com.

ACCESSORIES

NOTICE: All accessories may not be available for all fireplace models.

Purchase these accessories from your local dealer. If they can not supply these accessories call INNOVATIVE HEARTH PRODUCTS at 1-800-655-2008 for information. You can also write to the address listed on the back page of this manual.

BLOWER KIT

BK - Squirrel Cage Blower With Speed Control

BK3 - Triple Fan Blower System

OUTSIDE AIR KIT

AK4 - Complete Kit w/ Collar, Hood & 3' of Flex Tube

Optional kit provide additional air to reduce build-up of condensation that occurs in today's tightly constructed homes.

AK4F - Outside Air Kit for Floor Installation

AK4X - Collar and Hood (accepts any length of 4" flex tube)

AK4B - 50 pc. Bulk Collar Only Kits

REFRACTORY BRICK LINER KIT

BL36H - 36" Red Textured Herringbone

BL42H - 42" Red Textured Herringbone

BL36HS - 36" White Smooth Herringbone

BL42HS - 42" White Smooth Herringbone

FIBER BRICK LINER KIT

BLZ32SVF - 32" Stacked Vintage

BLZ36SVF - 36" Stacked Vintage

BLZ42SVF - 42" Stacked Vintage

PORCELAIN LINER KIT

PLZ32

PLZ36

PLZ42

HOODS

H32B - 32" Brushed Brass

H32P - 32" Platinum

H36B - 36" Brushed Brass

H36P - 36" Platinum

H42B - 42" Brushed Brass

H42P - 42" Platinum

ACCESSORIES

Continued

MANTELS

32" WALL MANTELS

W32TU - 32" Unfinished, Traditional

W32TO - 32" Oak Stain, Traditional

W32CO - 32" Oak Stain, Classic

W32DO - 32" Oak Stain, Dentil

W32GO - 32" Oak Stain, Georgian

32" CORNER MANTELS

C32TU - 32" Unfinished, Traditional

C32TO - 32" Oak Stain, Traditional

C32CO - 32" Oak Stain, Classic

C32GO - 32" Oak Stain, Georgian

36" WALL MANTELS

W36TU - 36" Unfinished, Traditional

W36TO - 36" Oak Stain, Traditional

36" CORNER MANTELS

C36TU - 36" Unfinished, Traditional

C36TO - 36" Oak Stain, Traditional

UNIVERSAL CABINET MANTEL

(Fits 36" Models)

LACMO - Large, Dark Oak Stain

LACMW - Large, Dark Walnut Stain

Note: No 42" mantels offered at this time.

PERIMETER TRIM

PT32 - 32" Black

PT32B - 32" Brushed Brass

PT32P - 32" Platinum

PT36 - 36" Black

PT36B - 36" Brushed Brass

PT36P - 36" Platinum

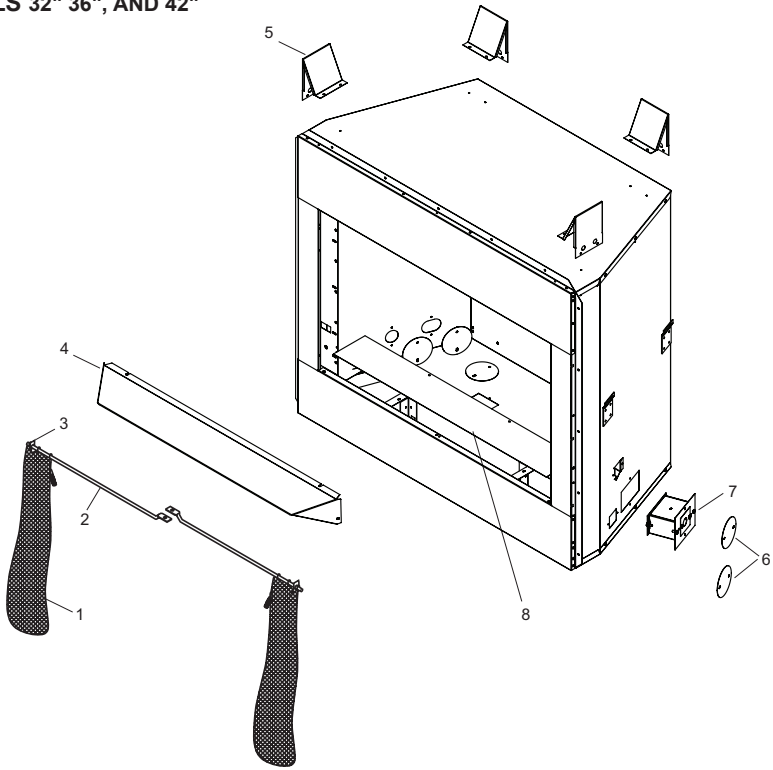
PT42 - 42" Black

PT42B - 42" Brushed Brass

PT42P - 42" Platinum

PARTS

MODELS 32" 36", AND 42"



MODEL NO.	CATALOG NO.	DESCRIPTION
VRT3032B	F0302	Flush Face 32" VF Firebox, Black Interior
VCT3032B	F0303	Louver Face 32" VF Firebox, Black Interior
VRT3036B	F0304	Flush Face 36" VF Firebox, Black Interior
VCT3036B	F0305	Louver Face 36" VF Firebox, Black Interior
VRT3042B	F0306	Flush Face 42" VF Firebox, Black Interior
VCT3042B	F0307	Louver Face 42" VF Firebox, Black Interior
VRT3032WS	F0308	Flush Face 32" VF Firebox, White Stacked Brick
VCT3032WS	F0309	Louver Face 32" VF Firebox, White Stacked Brick
VRT3036WS	F0310	Flush Face 36" VF Firebox, White Stacked Brick
VCT3036WS	F0311	Louver Face 36" VF Firebox, White Stacked Brick
VRT3036RS	F0312	Flush Face 36" VF Firebox, Red Stacked Brick
VCT3036RS	F0313	Louver Face 36" VF Firebox, Red Stacked Brick
VRT3036RH	F0314	Flush Face 36" VF Firebox, Red Stacked Brick
VCT3036RH	F0315	Louver Face 36" VF Firebox, Red Stacked Brick
VRT3042WS	F0316	Flush Face 42" VF Firebox, White Stacked Brick
VCT3042WS	F0317	Louver Face 42" VF Firebox, White Stacked Brick
VRT3042RS	F0318	Flush Face 42" VF Firebox, Red Stacked Brick
VCT3042RS	F0319	Louver Face 42" VF Firebox, Red Stacked Brick
VRT3042RH	F0320	Flush Face 42" VF Firebox, Red Herringbone Brick
VCT3042RH	F0321	Louver Face 42" VF Firebox, Red Herringbone Brick

PARTS

This list contains replaceable parts used in your firebox. When ordering parts, follow the instructions listed under Replacement Parts on page 21 of this manual.

KEY NO.	PART NO.	DESCRIPTION	F0302	F0303	F0304	F0305	F0306	F0307	QTY.
1	108441-01	Screen	•	•					2
	12116	Screen			•	•			2
	107891-01	Screen					•	•	2
2	108700-01	Screen Rod	•	•					2
	106691-01	Screen Rod			•	•			2
	107839-01	Screen Rod					•	•	2
3	11418	Push-On Nut	•	•	•	•	•	•	2
4	108414-01	Hood Deflector	•	•					1
	107944-01	Hood Deflector			•	•			1
	107979-01	Hood Deflector					•	•	1
5	20280	Spacer, Top	•	•	•	•	•	•	4
6	21171	Cover, Gas Conduit	•	•	•	•	•	•	10
7	100037-01	Electrical Duct assembly	•	•	•	•	•	•	1
8	21198	Panel, Access	•	•					1
	126249-01	Panel, Access			•	•			1
	126249-02	Panel, Access					•	•	1

AVAILABLE NOT SHOWN

126588-01	Louver Assembly, 36"				•				2
126588-02	Louver Assembly, 42"						•		2
126588-03	Louver Assembly, 32"		•						2

KEY NO.	PART NO.	DESCRIPTION	F0308	F0309	F0310	F0311	F0312	F0313	F0314	F0315	FBF36WS-LS	F0316	F0317	F0318	F0319	F0320	F0321	QTY.
1	108441-01	Screen	•	•														2
	12116	Screen			•	•	•	•	•	•	•							2
	107891-01	Screen										•	•	•	•	•	•	2
2	108700-01	Screen Rod	•	•														2
	106691-01	Screen Rod			•	•	•	•	•	•	•							2
	107839-01	Screen Rod										•	•	•	•	•	•	2
3	11418	Push-On Nut	•	•	•	•	•	•	•	•	•	•	•	•	•	•	•	2
4	108414-01	Hood Deflector	•	•														1
	107944-01	Hood Deflector			•	•	•	•	•	•	•							1
	107979-01	Hood Deflector										•	•	•	•	•	•	1
5	20280	Spacer, Top	•	•	•	•	•	•	•	•	•	•	•	•	•	•	•	4
6	21171	Cover, Gas Conduit	•	•	•	•	•	•	•	•	•	•	•	•	•	•	•	5
7	100037-01	Electrical Duct assembly	•	•	•	•	•	•	•	•	•	•	•	•	•	•	•	1
8	107775-01	Panel, Access	•	•	•	•	•	•	•	•	•	•	•	•	•	•	•	2

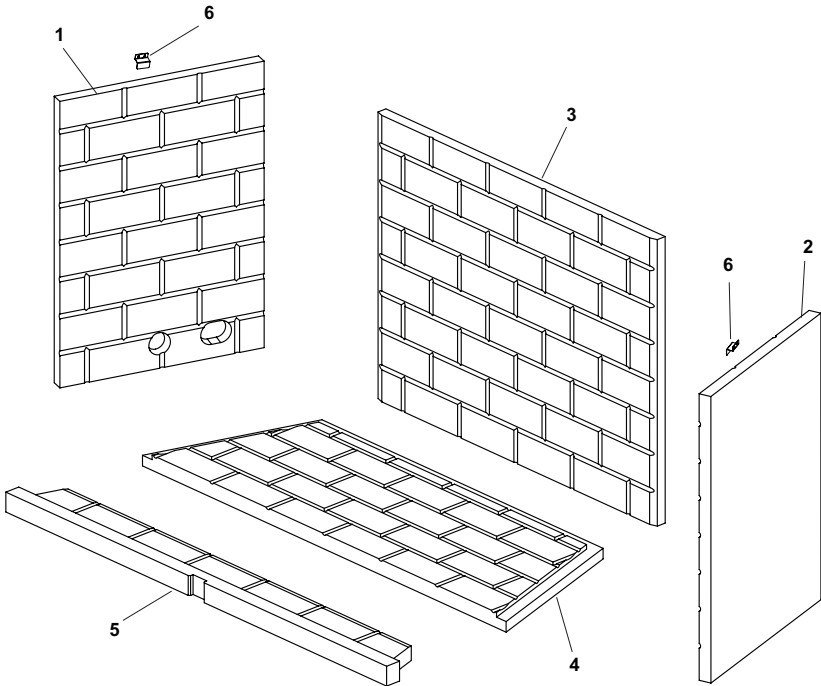
AVAILABLE NOT SHOWN

126588-01	Louver Assembly, 36"				•													2
126588-02	Louver Assembly, 42"											•			•			2
126588-03	Louver Assembly, 32"		•															2

PARTS

MODELS

VRT3032WS, VCT3032WS, VRT3036WS, VCT3036WS, VRT3036RS, VCT3036RS,
VRT3036RH, VCT3036RH, VRT3042WS, VCT3042WS, VRT3042RS, VCT3042RS,
VRT3042RH, VCT3042RH and FBF36WS-LS



MODEL NO.	CATALOG NO.	DESCRIPTION
VRT3032WS	F0308	Flush Face 32" VF Firebox, White Stacked Brick
VCT3032WS	F0309	Louver Face 32" VF Firebox, White Stacked Brick
VRT3036WS	F0310	Flush Face 36" VF Firebox, White Stacked Brick
VCT3036WS	F0311	Louver Face 36" VF Firebox, White Stacked Brick
VRT3036RS	F0312	Flush Face 36" VF Firebox, Red Stacked Brick
VCT3036RS	F0313	Louver Face 36" VF Firebox, Red Stacked Brick
VRT3036RH	F0314	Flush Face 36" VF Firebox, Red Stacked Brick
VCT3036RH	F0315	Louver Face 36" VF Firebox, Red Stacked Brick
VRT3042WS	F0316	Flush Face 42" VF Firebox, White Stacked Brick
VCT3042WS	F0317	Louver Face 42" VF Firebox, White Stacked Brick
VRT3042RS	F0318	Flush Face 42" VF Firebox, Red Stacked Brick
VCT3042RS	F0319	Louver Face 42" VF Firebox, Red Stacked Brick
VRT3042RH	F0320	Flush Face 42" VF Firebox, Red Herringbone Brick
VCT3042RH	F0321	Louver Face 42" VF Firebox, Red Herringbone Brick

PARTS

This list contains replaceable parts used in your firebox. When ordering parts, follow the instructions listed under Replacement Parts on page 21 of this manual.

KEY NO.	PART NO.	DESCRIPTION	VRT3032WS/VCT3032WS	VRT3036WS/VCT3036WS	VRT3036RS/VCT3036RS	VRT3036RH/VCT3036RH	VRT3042WS/VCT3042WS	VRT3042RS/VCT3042RS	FBF36WS-LS	QTY.
1	108434-01	Left Refractory White Stack	•							1
	125280-01	Left Refractory White Stack		•					•	1
	125290-01	Left Refractory White Stack					•			1
	125280-02	Left Refractory Red Stack			•					1
	125290-02	Left Refractory Red Stack					•			1
	125285-02	Left Refractory Red Herringbone			•					1
	125295-02	Left Refractory Red Herringbone						•		1
2	108432-01	Right Refractory White Stack	•							1
	125281-01	Right Refractory White Stack		•					•	1
	125291-01	Right Refractory White Stack				•				1
	125281-02	Right Refractory Red Stack			•					1
	125291-02	Right Refractory Red Stack					•			1
	125286-02	Right Refractory Red Herringbone			•					1
	125296-02	Right Refractory Red Herringbone						•		1
3	108430-01	Rear Refractory White Stack	•							1
	125282-01	Rear Refractory White Stack		•					•	1
	125292-01	Rear Refractory White Stack				•				1
	125282-02	Rear Refractory Red Stack			•					1
	125292-02	Rear Refractory Red Stack					•			1
	125287-02	Rear Refractory Red Herringbone			•					1
	125297-02	Rear Refractory Red Herringbone						•		1
4	108426-01	Bottom Rear Refractory White Stack	•							1
	125283-01	Bottom Rear Refractory White Stack		•					•	1
	125293-01	Bottom Rear Refractory White Stack				•				1
	125283-02	Bottom Rear Refractory Red Stack			•					1
	125293-02	Bottom Rear Refractory Red Stack					•			1
	125288-02	Bottom Rear Refractory Red Herringbone			•					1
	125298-02	Bottom Rear Refractory Red Herringbone						•		1
5	108428-01	Bottom Front Refractory White Stack	•							1
	125284-01	Bottom Front Refractory White Stack		•					•	1
	125294-01	Bottom Front Refractory White Stack				•				1
	125284-02	Bottom Front Refractory Red Stack			•					1
	125294-02	Bottom Front Refractory Red Stack					•			1
	125289-02	Bottom Front Refractory Red Herringbone			•					1
	125299-02	Bottom Front Refractory Red Herringbone						•		1
6	116531-01	Retainer, Refractory	•	•	•	•	•	•	•	2

KEEP THIS WARRANTY

Model (located on product or identification tag) _____

Serial No. (located on product or identification tag) _____

Date Purchased _____

Keep receipt for warranty verification.

Innovative Hearth Products Superior™ Brand Gas Fireplaces, Stoves and Inserts 20 Year Limited Warranty

THE WARRANTY

Innovative Hearth Products ("IHP") 20 Year Limited Warranty warrants your Superior™ Brand gas fireplace, Stove or Insert ("Product") to be free from defects in materials and workmanship at the time of manufacture. The Product body and firebox carry the 20 Year Limited Warranty. Ceramic glass carries the 20 Year Limited Warranty against thermal breakage only. After installation, if covered components manufactured by IHP are found to be defective in materials or workmanship during the 20 Year Limited Warranty period and while the Product remains at the site of the original installation, IHP will, at its option, repair or replace the covered components. If repair or replacement is not commercially practical, IHP will, at its option, refund the purchase price or wholesale price of the IHP product, whichever is applicable. IHP will also pay IHP prevailing labor rates, as determined in its sole discretion, incurred in repairing or replacing such components for up to five years. THERE ARE EXCLUSIONS AND LIMITATIONS to this 20 Year Limited Warranty as described herein.

COVERAGE COMMENCEMENT DATE

Warranty coverage begins on the date of installation. In the case of new home construction, warranty coverage begins on the date of first occupancy of the dwelling or six months after the sale of the Product by an independent IHP dealer/distributor, whichever occurs earlier. The warranty shall commence no later than 24 months following the date of product shipment from IHP, regardless of the installation or occupancy date.

EXCLUSIONS AND LIMITATIONS

This 20 Year Limited Warranty applies only if the Product is installed in the United States or Canada and only if operated and maintained in accordance with the printed instructions accompanying the Product and in compliance with all applicable installation and building codes and good trade practices.

This warranty is non-transferable and extends to the original owner only. The Product must be purchased through a listed supplier of IHP and proof of purchase must be provided. The Product body and firebox carry the 20 Year Limited Warranty from the date of installation. Vent components, trim components and paint are excluded from this 20 Year Limited Warranty. The following do not carry the 20 Year Limited Warranty but are warranted as follows:

- Burner** – Repair or replacement for one year from the date of installation
- Gas components** – Repair or replacement for one year from the date of installation
- Gaskets** – Repair or replacement for one year from the date of installation
- Logs** – Replacement for one year from the date of installation against thermal breakage only
- Optional blowers & remote controls** – Repair or replacement for one year from the date of installation
- Optional glass doors** – Repair or replacement for 90 days from the date of installation
- Tempered glass** - Replacement for one year from the date of installation
- Labor coverage** – Prevailing IHP labor rates apply for the warranty period of the component

Parts not otherwise listed carry a 90 day warranty from the date of installation.

Whenever practicable, IHP will provide replacement parts, if available, for a period of 10 years from the last date of manufacture of the Product.

IHP will not be responsible for: (a) damages caused by normal wear and tear, accident, riot, fire, flood or acts of God; (b) damages caused by abuse, negligence, misuse, or unauthorized alteration or repair of the Product affecting its stability or performance (The Product must be subjected to normal use. The Product is designed to burn either natural or propane gas only. Burning conventional fuels such as wood, coal or any other solid fuel will cause damage to the Product, will produce excessive temperatures and could result in a fire hazard.); (c) damages caused by failing to provide proper maintenance and service in accordance with the instructions provided with the Product; (d) damages, repairs or inefficiency resulting from faulty installation or application of the Product.

IHP is not responsible for inadequate fireplace system draft caused by air conditioning and heating systems, mechanical ventilation systems, or general construction conditions which may generate negative pressure in the room in which the appliance is installed. Additionally IHP assumes no responsibility for drafting conditions caused by venting configurations, adjoining trees or buildings, adverse wind conditions or unusual environmental factors and conditions that affect the operation of the unit.

This 20 Year Limited Warranty covers only parts and labor as provided herein. In no case shall IHP be responsible for materials, components or construction, which are not manufactured or supplied by IHP or for the labor necessary to install, repair or remove such materials, components or construction. Additional utility bills incurred due to any malfunction or defect in equipment are not covered by this warranty. All replacement or repair components will be shipped F.O.B. from the nearest stocking IHP factory.

LIMITATION ON LIABILITY

It is expressly agreed and understood that IHP's sole obligation and the purchaser's exclusive remedy under this warranty, under any other warranty, expressed or implied, or in contract, tort or otherwise, shall be limited to replacement, repair, or refund, as specified herein.

In no event shall IHP be liable for any incidental or consequential damages caused by defects in the Product, whether such damage occurs or is discovered before or after repair or replacement, and whether such damage is caused by IHP's negligence. IHP has not made and does not make any representation or warranty of fitness for a particular use or purpose, and there is no implied condition of fitness for a particular use or purpose.

IHP makes no expressed warranties except as stated in this 20 Year Limited Warranty. The duration of any implied warranty is limited to the duration of this expressed warranty.

No one is authorized to change this 20 Year Limited Warranty or to create for IHP any other obligation or liability in connection with the Product. Some states and provinces do not allow the exclusion or limitation of incidental or consequential damages, so the above limitations or exclusions may not apply to you. The provisions of this 20 Year Limited Warranty are in addition to and not a modification of or subtraction from any statutory warranties and other rights and remedies provided by law.

INVESTIGATION OF CLAIMS AGAINST WARRANTY

IHP reserves the right to investigate any and all claims against this 20 Year Limited Warranty and to decide, in its sole discretion, upon the method of settlement.

To receive the benefits and advantages described in this 20 Year Limited Warranty, the appliance must be installed and repaired by a licensed contractor approved by IHP.

Contact IHP at the address provided herein to obtain a listing of approved dealers/distributors. **IHP shall in no event be responsible for any warranty work done by a contractor that is not approved without first obtaining IHP's prior written consent.**

HOW TO REGISTER A CLAIM AGAINST WARRANTY

In order for any claim under this warranty to be valid, you must contact the IHP dealer/distributor from which you purchased the product. If you cannot locate the dealer/distributor, then you must notify IHP in writing. IHP must be notified of the claimed defect in writing within 90 days of the date of failure. Notices should be directed to the IHP Warranty Department at 1508 Elm Hill Pike, Suite 108; Nashville, TN 37210 or visit our website at WWW.SUPERIORFIREPLACES.US.COM.

NOTES

NOTES

Innovative Hearth Products reserves the right to make changes at any time, without notice, in design, materials, specifications, prices and also to discontinue colors, styles and products. Consult your local distributor for fireplace code information.



P126712-01

Printed in U.S.A. © 2013 IHP LLC
P/N 126712-01 Rev. B 03/2014.



1508 Elm Hill Pike, Suite 108
Nashville, TN 37210
1-800-655-2008
www.IHP.US.com