



# INSTALLATION AND OPERATION INSTRUCTIONS

## Superior® Custom Series Multi-Sided Wood burning Fireplace

**NATIONAL FIREPLACE INSTITUTE**  
  
**CERTIFIED**  
 www.nficertified.org

We recommend that our woodburning hearth products be installed and serviced by professionals who are certified in the U.S. by the National Fireplace Institute® (NFI) as NFI Woodburning Specialists or who are certified in Canada by Wood Energy Technical Training (WETT). 

### MODEL

**WRT40STWS**



P/N 126613-01 Rev. B 10/2015

REPORT NO. 09-146

### SAVE THIS BOOK

This book is valuable. In addition to instructing you on how to install and maintain your appliance, it also contains information that will enable you to obtain replacement parts or accessory items when needed. Keep it with your other important papers.

<b>INSTALLER:</b> Leave this manual with the appliance.	<b>Installateur :</b> Laissez cette notice avec l'appareil.
<b>CONSUMER:</b> Retain this manual for future reference.	<b>Consommateur :</b> Conservez cette notice pour consultation ultérieure.
<b>This wood burning fireplace complies with UL127 CAN/ULC-S610-M87 standard as a FACTORY BUILT FIREPLACE.</b>	<b>Ce foyer au bois est conforme aux UL 127 CAN/ULC-S610-M87 norme comme une USINE CONSTRUITE CHEMINÉE.</b>

This fireplace is approved for use as a wood burning fireplace or for use with a vented gas log approved to ANS Z21.60, Z21.84 standards or for use with a vent-free gas log heater approved to ANS Z21.11.2 standard. An INNOVATIVE HEARTH PRODUCTS, LLC hood must be installed when using a vent-free log heater (see Accessories, page 17).

<b>FOR CANADA:</b> The authority having jurisdiction (such as the municipal building department, fire department, etc.) should be contacted before installation to determine the need to obtain a permit.	<b>POUR LE CANADA:</b> L'autorité compétente (comme le service municipal du bâtiment, les pompiers, etc.) doit être contacté avant l'installation afin de déterminer la nécessité d'obtenir un permis.
---	--

This installation manual will enable you to obtain a safe, efficient and dependable installation of your fireplace system. Please read and understand these instructions before beginning your installation.

Do not alter or modify the fireplace or its components under any circumstances. Any modification or alteration of the fireplace system, including but not limited to the fireplace, chimney components and accessories, may void the warranty, listings and approvals of this system and could result in an unsafe and potentially dangerous installation.

**IMPORTANT! TO ASSURE PROPER ALIGNMENT OF GLASS DOORS: INSTALL THIS FIREPLACE IN A SQUARE AND PLUMB CONDITION, USING SHIMS AS NECESSARY AT SIDES AND/OR BOTTOM.**

## Thank you for your purchase. We appreciate your business!

Please carefully read and follow all instructions in this manual. **Pay special attention to all warnings and safety information.**

Following these safety, care, and operation instructions will help ensure many years of dependable and enjoyable service from your fireplace.

### Register your product online today!

To help us keep you up-to-date on product information and offers, please take a few moments to register your product online at [Superiorfireplaces.US.com](http://Superiorfireplaces.US.com)

**Please read and understand these instructions before installing or operating.**

## TABLE OF CONTENTS

Safety .....	2
Product Dimensions .....	4
Fireplace Installation .....	5
Venting Installation .....	7
Optional Gas Line Installation .....	13
Operation and Maintenance Guidelines .....	14
Replacement Parts .....	15
Technical Service .....	15
Fireplace Accessories .....	16
Installation Accessories .....	16
Important Notices .....	18
Warranty .....	19

## SAFETY

**⚠ WARNING: Improper installation, adjustment, alteration, service or maintenance can cause injury, property damage or loss of life. Refer to this manual for assistance or additional information. Consult a qualified installer or local distributor.**

**IMPORTANT: Check local codes before installing this fireplace.**

This fireplace model is a wood burning fireplace intended and approved for installation in either residential homes or buildings of standard construction. This fireplace system requires the utilization of INNOVATIVE HEARTH PRODUCTS, LLC's (IHP) 8", double-wall, and snap lock flue pipe system.

Glass doors are optional with this fireplace and come in different styles. For more information see Glass Doors, page 14). Optional glass doors in several finishes are available for this fireplace (see Replacement Parts, page 15 and Accessories on page 16).

Before beginning installation of this fireplace, read these instructions through completely.

- This IHP fireplace and its components are safe when installed according to this installation manual. Unless you use IHP components, which have been designed and tested for the fireplace system, you may cause a fire hazard.
- The IHP warranty will be voided by and IHP disclaims any responsibility for the following actions.
  - a. Modification of the fireplace or any of the components manufactured by IHP unless otherwise permitted by IHP.
  - b. Use of any component part not manufactured or approved by IHP in combination with an IHP fireplace system.
  - c. Installation and/or operation in a manner other than instructed in this manual.
  - d. The burning of any other fuel not tested or approved by IHP in this wood burning fireplace.

Proper installation is the most important step in ensuring safe and continuous operation of the fireplace. Consult the local building codes as to the particular requirements concerned with the installation of

all factory built fireplaces.

Proper installation is the most important step in ensuring safe and continuous operation of the fireplace. Although grounding may not be required by code in your area, it must be electrically grounded in accordance with local codes or, in the absence of local codes, with the National Electrical Code, ANSI/NFPA 70-1990.

This fireplace is intended for installation in accordance with the National Fire Protection Association Standard for Chimneys, Fireplaces, Vents and Solid-Fuel Burning Fireplaces, NFPA 211, and in accordance with codes such as the BOCA Basic/National Code, the Standard Mechanical Code, and the Uniform Building Code.

**⚠ WARNING: Do not install a fireplace insert in this fireplace unless the manufacturer's instructions with the insert specifically state this fireplace has been tested for use with this insert.**

### FOR YOUR SAFETY

- **Do not store or use gasoline or any other flammable vapors or liquids in the vicinity of this or any other appliance.**
- **Due to high temperatures, the appliance should be located out of traffic and away from furniture and draperies.**
- **Do not place clothing or other flammable materials on or near the appliance.**
- **Never leave children unattended when a fire is burning in the fireplace.**

**⚠ WARNING: Use solid wood or processed solid fuel fire logs only. Do not poke or stir the logs while they are burning. Use only firelogs that have been evaluated for the application in fireplace and refer to firelog warnings and caution markings on packaging prior to use.**

## SAFETY *Continued*

This fireplace is not intended to be used as a substitute for a furnace to heat an entire home. Use for supplemental heat only.

Overfiring of a fireplace is a condition where excessive temperatures are reached, beyond the design capabilities of the appliance. The damage that occurs from overfiring is not covered under the manufacturer's limited warranty.

**▲ WARNING: CONTINUED OVERFIRING CAN PERMANENTLY DAMAGE YOUR FIREPLACE SYSTEM. SOME EXAMPLES OF CONDITIONS THAT COULD CAUSE OVERFIRING ARE:**

- BURNING QUANTITIES OF SCRAP LUMBER, PINE BRANCHES, PAPER OR CARDBOARD BOXES WHICH EXCEED THE VOLUME OF THE NORMAL LOG FIRE.
- BURNING TRASH, CHEMICALS OR CHEMICALLY TREATED COMBUSTIBLES.

### Disposal of Ashes

Ashes should be placed in a metal container with a tight-fitting lid. The closed container of ashes should be placed on a noncombustible floor or on the ground, well away from all combustible materials, pending final disposal. If the ashes are disposed of by burial in soil or otherwise locally dispersed, they should be retained in the closed container until all cinders have thoroughly cooled.

**WHEN USING THE DECORATIVE APPLIANCE, THE FIREPLACE DAMPER MUST BE SET IN THE FULLY OPEN POSITION.**

Never use gasoline, gasoline-type lantern fuel, kerosene, charcoal lighter fluid, or similar liquids to start or 'freshen up' a fire in this fireplace. Keep all such liquids well away from the fireplace while it is in use.

Use **SOLID WOOD** only for fuel. It is best to use dry and well seasoned hardwood. Softwoods tend to burn very quickly. **DO NOT** use treated wood, charcoal, coal, trash, driftwood or woods that have been dipped in tar, pitch, pine tar, creosote, etc. Wood products made with synthetic binders, such as plywood, produce abnormally high temperatures and sputtering, smoking fires. When burning artificial logs, please read and follow the instructions provided by the manufacturer.

Never burn treated construction lumber or scraps. These woods burn excessively hot and may contain chemicals used to treat insects and fungus. When burned, these chemicals can pose a significant hazard.

**▲ WARNING: BURNING IMPROPER FUEL (I.E. CHARCOAL) CAN RESULT IN CARBON MONOXIDE POISONING, WHICH MAY LEAD TO DEATH!**

Carbon Monoxide Poisoning – Early signs of carbon monoxide poisoning resemble the flu with headaches, dizziness, or nausea. If you have these signs, get fresh air at once! Have the appliance inspected by a qualified service technician. Some people are more affected by carbon monoxide than others. These include pregnant women, people with heart or lung disease or anemia, those under the influence of alcohol, and those at high altitudes.

**Ventilation Requirements - Provide adequate air for combustion. The fresh air requirements of this appliance must be met within the space where it will be installed.**

**Smoke Detectors - Since there are always several potential sources of fire in any home, we recommend installing smoke detectors. If possible, install the smoke detector in a hallway adjacent to the room (to reduce the possibility of occasional false activation from the heat produced by the appliance). If your local code requires a smoke detector be installed within the same room, you must follow the requirements of your local code. Check with your local building department for requirements in your area.**

**SAFETY Continued**

**Creosote – Formation and Need for Removal**

When wood is burned slowly, it produces tar and other organic vapors, which combine with expelled moisture to form creosote. The creosote vapors condense in the relatively cool chimney flue of a slow-burning fire. As a result, creosote residue accumulates on the flue lining. When ignited this creosote makes an extremely hot fire.

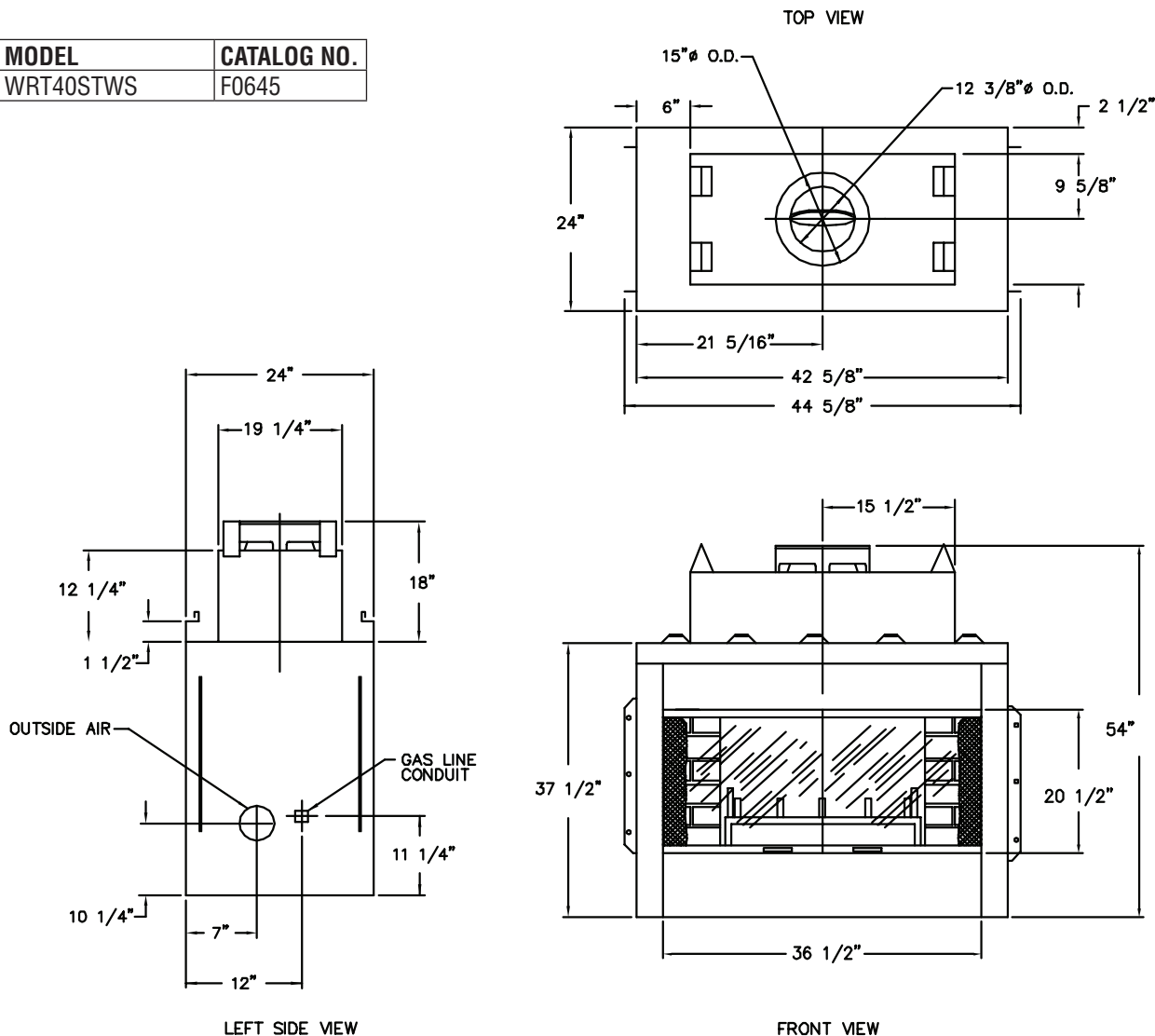
The chimney shall be inspected at least twice a year during the heating season to determine when a creosote buildup has occurred. When creosote has accumulated (1/8" [3 mm] or more) it shall be removed to reduce the risk of a chimney fire.

**⚠ WARNING:** Always leave glass doors fully opened or fully closed when operating fireplace.

**⚠ WARNING:** Children and adults should be alerted to the hazards of high surface temperatures and to stay away to avoid burns or clothing ignition. Young children should be carefully supervised when in the same room as fireplace.

**PRODUCT DIMENSIONS**

MODEL	CATALOG NO.
WRT40STWS	F0645



*Figure 1 - Dimensions*

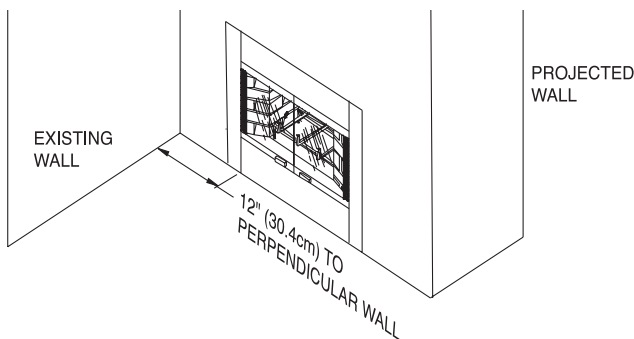
## FIREPLACE INSTALLATION

### SELECTING LOCATION

To determine safest and most efficient location for fireplace, you must take into consideration the following guidelines:

1. The location must allow for proper clearances (see Figure 2).
2. Consider a location where the fireplace will not be affected by drafts, air conditioning ducts, windows or doors.
3. A location that avoids the cutting of joists or roof rafters will make installation easier.
4. If an outside air kit is to be installed, accessibility to outside combustion air must be considered. This can also be achieved through a vented crawl space in some cases (see Optional Outside Air Kit on page 7).
5. If gas line is to be installed, consider location of gas supply.
6. Do not connect this fireplace to a chimney system other than an IHP chimney system.
7. Install in an area providing ventilation and adequate combustion air.
8. Due to high temperatures, do not locate this firebox in high traffic areas or near furniture or draperies.
9. Provide adequate clearances around air openings into combustion chamber. NEVER obstruct front opening of firebox or flow of combustion and ventilation air.
10. Do not locate in or near an area where gasoline or other flammable liquids may be stored. The firebox area must be kept clear and free from these combustible materials.

The typical installation for this fireplace is a projected installation which allows you to extend the fireplace any distance into the room. A projection may be ideal for a new addition on an existing, finished wall.



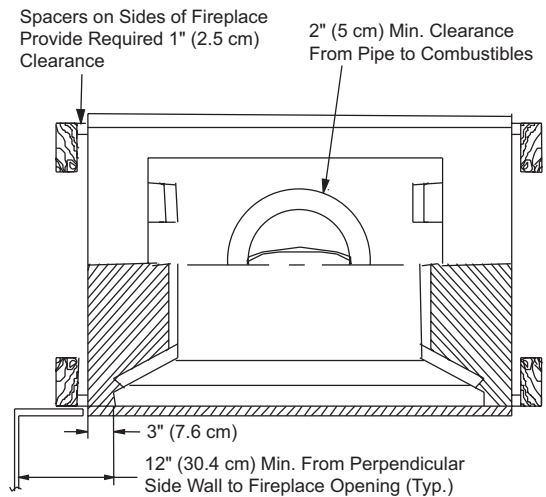
**Figure 2 - Common Location of Fireplace**

### MINIMUM CLEARANCE TO COMBUSTIBLES

Back and sides of fireplace	1" minimum*
Adjacent wall	12" minimum
Chimney outer pipe surfaces	2" minimum
Bottom of fireplace to floor	0" minimum

**⚠ WARNING: DO NOT PACK REQUIRED AIR SPACES WITH INSULATION OR OTHER MATERIALS.**

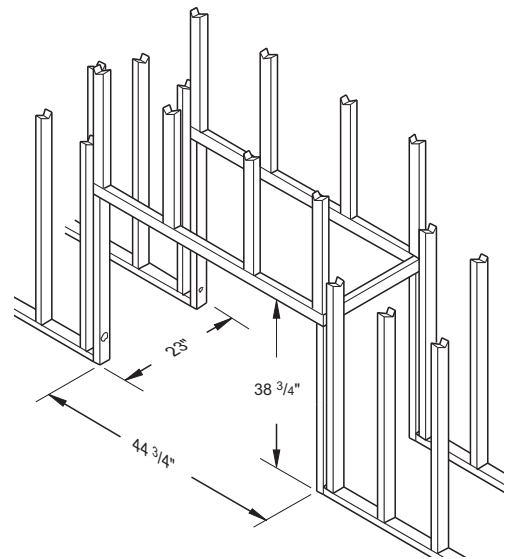
**Do not obstruct fireplace openings (ie. louvers, etc.) with any type of facing material. Combustible material must not be in contact with back of front face of fireplace.**



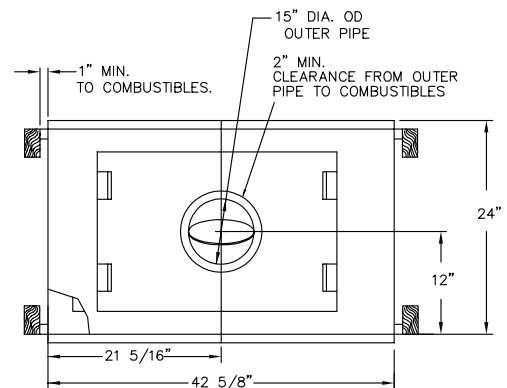
**Figure 3 - Firebox Clearances**

### FRAMING

1. Frame opening for fireplace using dimensions shown in Figures 4, 5 and 6 on pages 5 and 6.



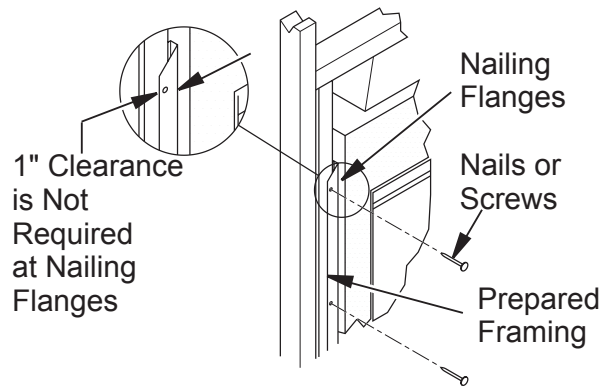
**Figure 4 - Framing Firebox**



**Figure 5 - Framing Clearances**

## FIREPLACE INSTALLATION *Continued*

- If fireplace is to be installed directly on carpeting, tile or any combustible material other than wood flooring, fireplace must be installed upon a metal or wood panel extending full width and depth of fireplace.
- Set fireplace directly in front of this opening and slide unit back until nailing flanges touch side framing.
- Check level of fireplace and shim with sheet metal if necessary.
- Before securing fireplace to prepared framing, ember protector (provided) must be placed between hearth extension (not supplied) and under bottom front edge of fireplace to protect against glowing embers falling through (see Figure 7). If fireplace is to be installed on a raised platform, a Z-type ember protector (not supplied) must be fabricated to fit your required platform height (see Figure 6). The ember protector should extend under fireplace a minimum of 1 1/2". The ember protector should be made of galvanized sheet metal (28 gauge minimum) to prevent corrosion.
- Using screws or nails, secure fireplace to framing through flanges located on sides of fireplace (see Figure 8).



**Figure 8 - Nailing Flanges**

### HEARTH EXTENSIONS

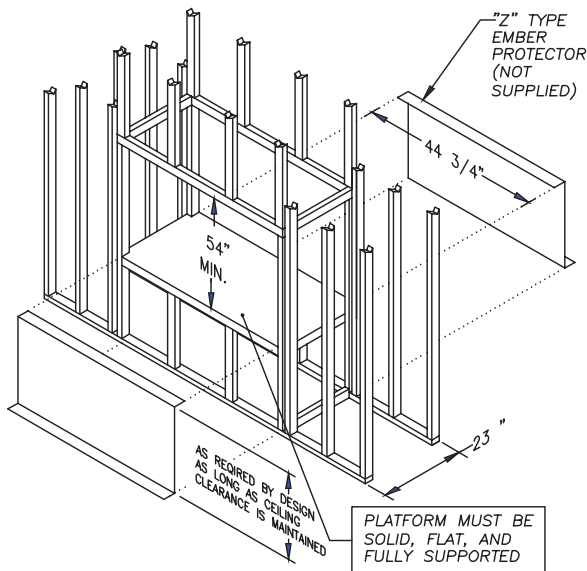
A hearth extension projecting a minimum of 16" in front of and a minimum of 8" beyond each side of fireplace opening is required to protect combustible floor construction in front of fireplace. Fabricate a hearth extension using a material which meets the following specifications: a layer of noncombustible, inorganic material having a thermal conductivity of  $k = .84 \text{ BTU IN/FT}^2 \text{ HR } ^\circ\text{F}$  (or less) at 1" thick. For example, if material selected has a  $k$  factor of 0.25, such as glass fiber, the following formula would apply:

$$\frac{0.25 \times 1.0}{0.84} = 0.30 \text{ thickness required}$$

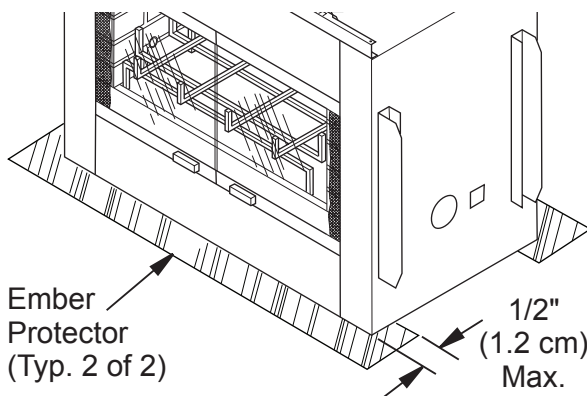
Thermal conductivity "k" of materials can be obtained from manufacturer or supplier of noncombustible material.

If hearth extension is to be raised, a "Z" type ember protector must be used (see Figure 6 and Figure 10, page 7).

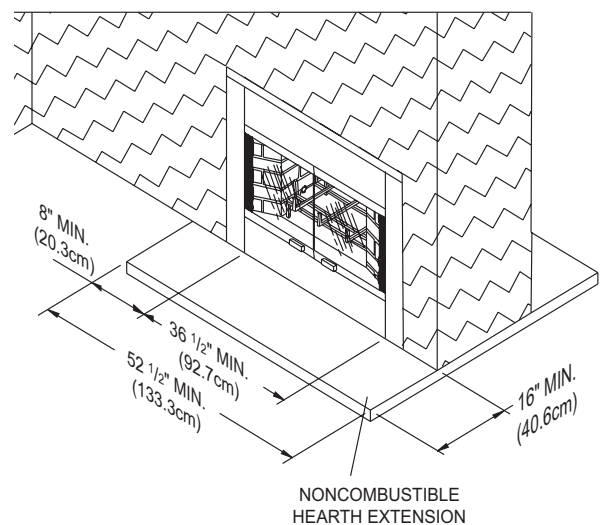
**⚠ WARNING: Hearth extension is to be installed only as shown in Figure 9.**



**Figure 6 - Framing Firebox with "Z" Type Ember Protectors**



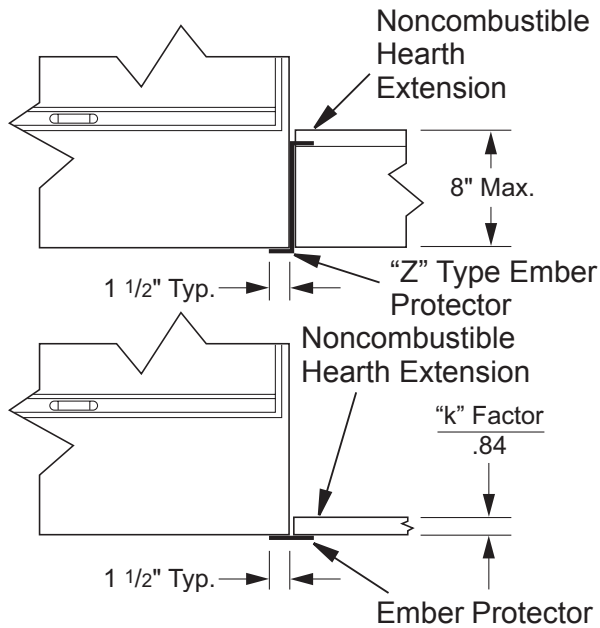
**Figure 7 - Ember Protectors**



**Figure 9 - Hearth Extension**



## FIREPLACE INSTALLATION *Continued*



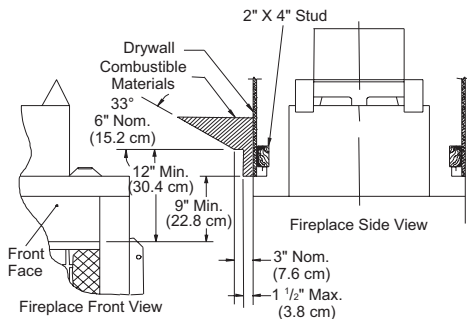
**Figure 10 - Raised Hearth Extension**

## MANTEL CLEARANCES

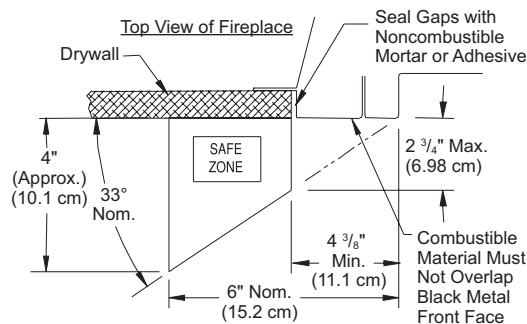
Woodwork such as wood trims, mantels or any other combustible material projecting from the front face must not be placed within 9" of firebox effective opening.

Combustible materials above and projecting more than 1 1/2" from the firebox front face (see Figure 11) must not be placed less than 12" from effective opening of the firebox (NFPA 211, Section - Clearance from Combustible Material).

Mantels or any other combustible material may also come up to the side edge of the black metal face of the firebox only if the projection from the front face falls within limits shown in Figure 12.



**Figure 11 - Mantel Clearances to Combustible Materials**



**Figure 12 - Mantel Clearances to Metal Face**

## VENTING INSTALLATION

### OPTIONAL OUTSIDE AIR KIT (MODELS AK4 OR AK4F)

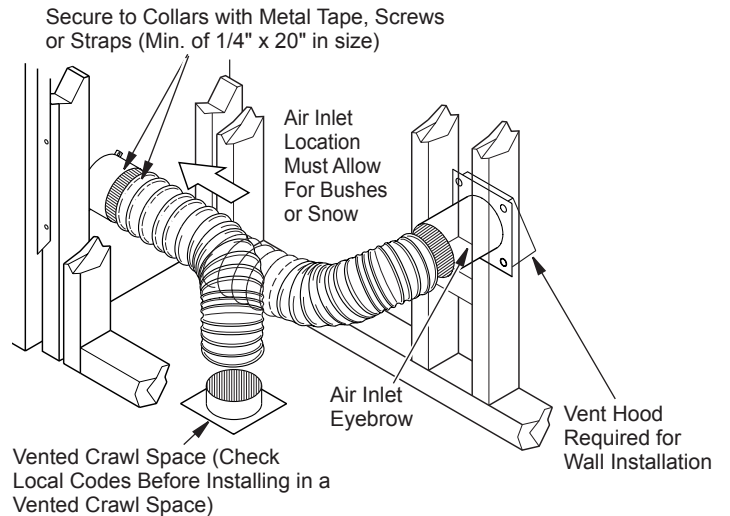
The installation of an outside air kit should be performed during the rough framing of the fireplace due to the nature of its location. Outside combustion air is accessed through an exterior wall (AK4) or a vented crawl space (AK4F). See Figure 13 and Accessories on page 16.

Avoid installing outside air eyebrow in areas where inlet opening may be blocked by snow, bushes or other obstacles. It should also be located beyond the reach of children.

**⚠ CAUTION: Combustion air inlet ducts shall not terminate in attic space.**

**The maximum height for the air vent can not exceed 3 feet below the flue gas outlet of the termination.**

For further details on installation of outside air kit, please refer to instructions included with air kit. For operating instructions, please refer to your owner's manual.



**Figure 13 - Air Kit Installation**

## CHIMNEY PIPE

**⚠ WARNING: Label part number 900599-01 must be applied by the installer to all chimney pipe sections but is not required on sections that will be visible after the installation is complete. Label must wrap around the circumference of the pipe. See accessories, page 17 for Kit F2659.**

## VENTING INSTALLATION *Continued*

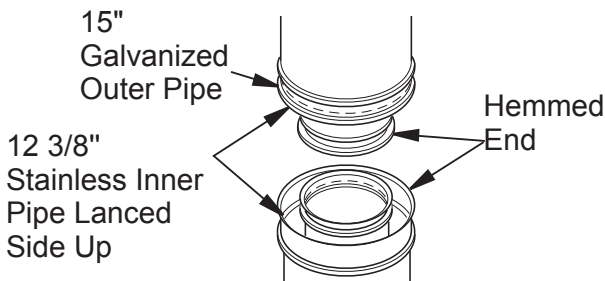
The IHP chimney system is a snap-lock, double-wall pipe. It consists of a stainless steel inner flue pipe(s), a galvanized outer pipe and a wire spacer. Each section of pipe comes in lengths of 12", 18", 36" and 48". The actual lineal gain for each is measured after each section is fully connected. Lineal gain is the actual measurable length of a part after two or more parts are connected.

LINEAL GAIN		
PART NO.	DESCRIPTION	GAIN
Windsor STP2	See-Through Fireplace	52 3/4"
48-12DM 48-12TM	Flue Pipe	46 5/8"
36-12DM 48-12TM	Flue Pipe	34 5/8"
24-12DM 48-12TM	Flue Pipe	22 5/8"
18-12DM 48-12TM	Flue Pipe	16 5/8"
12-12DM 48-12TM	Flue Pipe	10 5/8"
STL-12D	Chase Style Termination	1" to 12"
RLT-12D	Round Top Termination	7"

### PIPE INSTALLATION

The pipe sections must be assembled independently as the chimney is installed. When connecting chimney directly to the fireplace, the inner flue pipe section must be installed first with the lanced side up. The outer pipe section can then be installed over the flue pipe section with the hemmed end up. Press down on each pipe section until the lances securely engage the hem on the fireplace starter. The wire will assure the proper spacing between the inner and outer pipe sections. Continue to assemble chimney sections as outlined above, making sure that both the inner and outer pipe sections are locked together. When installing double wall snap-lock chimney together, it is important to assure the joint between the chimney sections is locked. Check by pulling chimney upward after locking. The chimney will not come apart if properly locked. It is not necessary to add screws to keep the chimney together (exception, see Figure 17, page 9).

**⚠ WARNING: The opening in collar around chimney at top of fireplace must not be obstructed. Never use blown insulation to fill chimney enclosure.**



**Figure 14 - Pipe Connection**

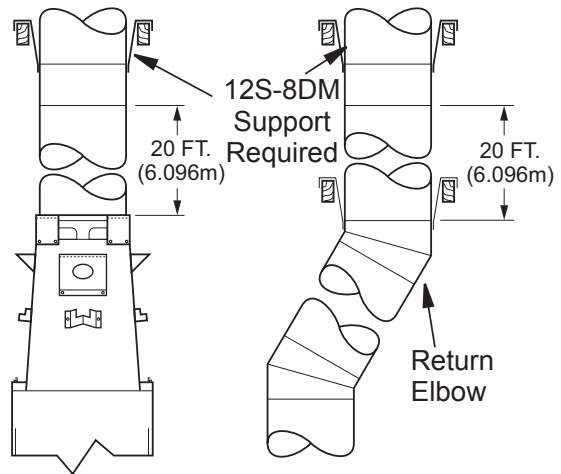
### USING ELBOW OFFSETS AND SUPPORTS

Chimney weight above offset rests on return elbow. Straps must be securely nailed to rafters or joists (see Figure 15).

To achieve desired offset, you may install combinations of 12", 18", 36" and 48" length of double wall pipe (see offset chart and Figure 16). Maximum length of pipe between supports is 6 feet of angled run. A maximum of two 6 feet angled run sections per chimney system (see Figure 18).

### SUPPORT SECTIONS

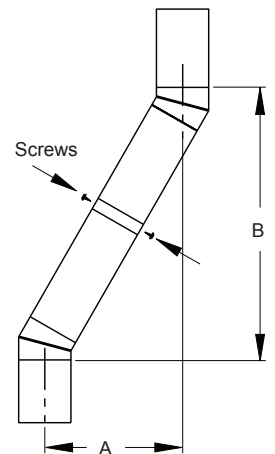
The chimney support section is a 4-strap 12" length of pipe. The height of a vertical chimney pipe supported **ONLY** by the fireplace, must not exceed 20 feet. Chimney heights above 20 feet must be supported.



**Figure 15 - Elbow Offset**

OFFSET	RISE	CHIMNEY LENGTH			
		48"	36"	18"	12"
4 3/8"	16 3/8"	ELBOW SET ONLY			
9 1/2"	25 1/4"		1		
12 1/2"	30 3/8"			1	
14 3/8"	34"				2
17 5/8"	39 1/4"			1	1
21 1/2"	46"		1		
22 3/4"	48 1/8"			1	2
26 3/8"	54 7/8"	1			
26 3/8"	60"		1	1	
31 3/4"	63 3/4"	1		1	
34 3/4"	69"	1		1	
38 5/8"	75 5/8"		2		
39 7/8"	77 7/8"	1		1	1
43 3/4"	84 1/2"	1	1		
46 3/4"	87 3/4"		2	1	
48 7/8"	93 3/8"	2			

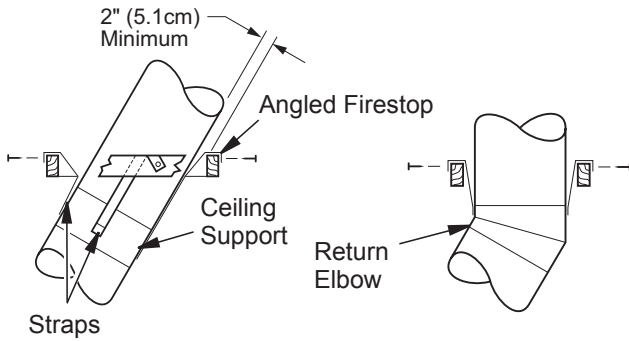
**OFFSET CHART**



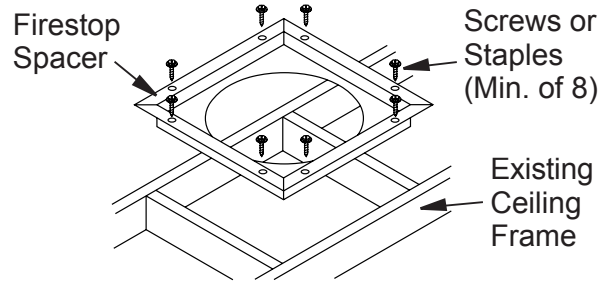
**Figure 16 - Raise and Offset**



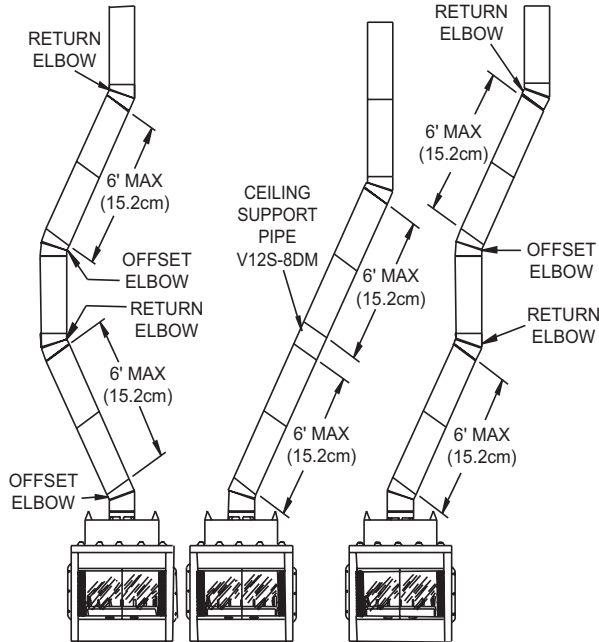
## VENTING INSTALLATION *Continued*



**Figure 17 - Chimney Supports**



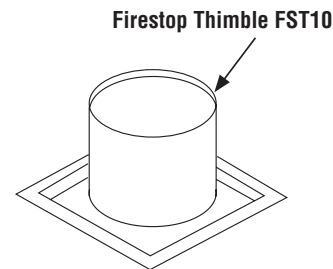
**Figure 20 - Firestop Spacer with Attic Space Above Ceiling**



**Figure 18 - Typical Offset Installations**

**IMPORTANT NOTICE**

When penetrating a ceiling into an attic, a firestop thimble (FST10) is required to avoid intrusion by insulation and recommended to negotiate a joist (see Figure 20a).



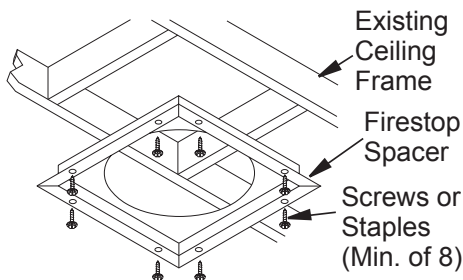
**Figure 20a - Firestop Thimble**

### FIRESTOP SPACERS (FS-10)

Firestop spacers are required at each point where the chimney penetrates a floor or ceiling joist space. Their purpose is to establish and maintain the required clearance between the chimney and the combustible materials. When the pipe passes through a framed opening into a living space above, the firestop must be placed onto the ceiling from below as shown in Figure 19.

They also provide complete separation from one floor space to another or attic space as required by most codes. When the double wall pipe passes through a framed opening into an attic space, the firestop must be placed into an attic floor as shown in Figure 20.

When penetrating a floor or ceiling at an angle, use firestop spacer number 30 FS-10D (see Replacement Parts, page 15 and Accessories, page 16).

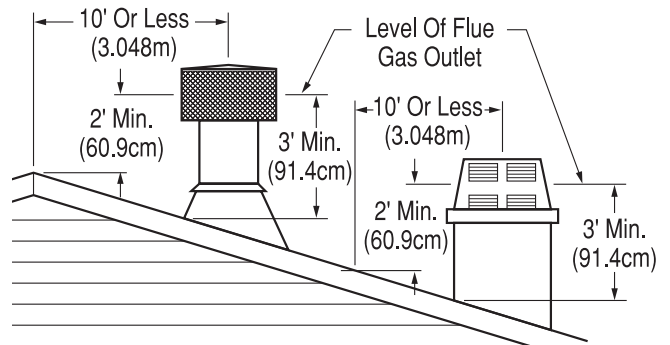


**Figure 19 - Firestop Spacer with Living Space Above Ceiling**

### 10' FOOT RULE

All chimney terminations must extend a minimum of 3 feet above the highest point where it passes through the roof and must be at least 2 feet above roof with a 10 foot horizontal span (see Figure 21).

**IMPORTANT:** If an exposed portion of chimney is greater than 4 feet above the roof line, use support wires to keep chimney secure. Support wires may be attached to outer pipe of chimney with screws, if screws do not penetrate inner flue pipe.



**Figure 21- 10 Foot Rule**

## VENTING INSTALLATION *Continued*

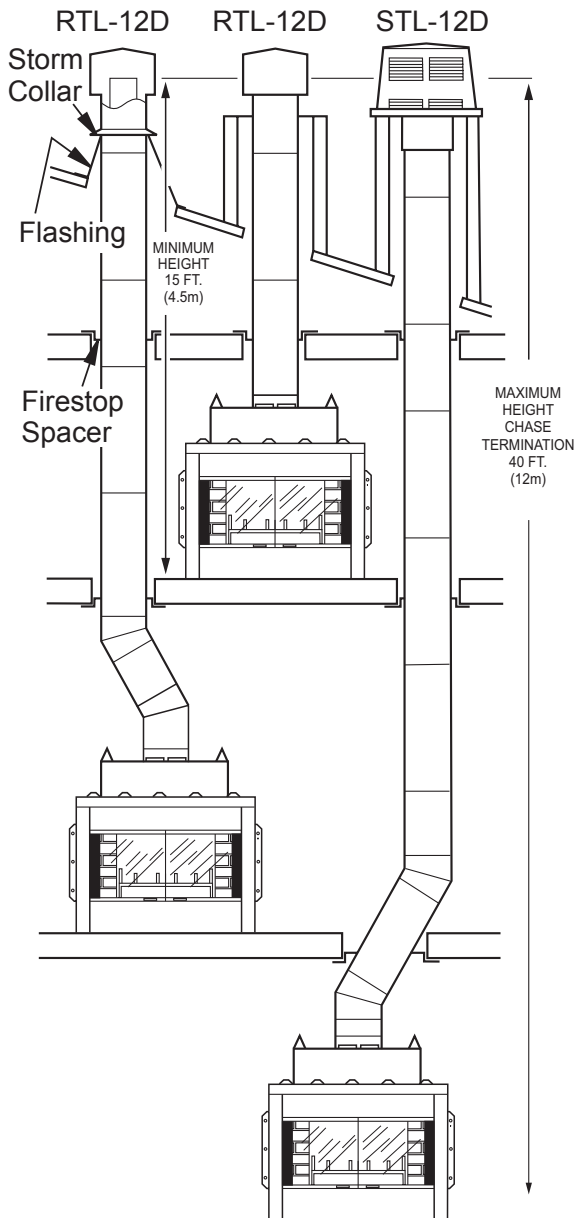
### MINIMUM/MAXIMUM CHIMNEY HEIGHT

The minimum height of the chimney (measured from the base of the fireplace to the flue gas outlet-end of pipe) is 16 feet for a straight run, 16 feet minimum for a run with 1 elbow set and 25 feet minimum for a run with 2 elbow sets. (A set consists of one starter elbow and one return elbow.)

Uncommon circumstances such as neighboring hills, tall trees, or strong wind areas can cause down drafts in chimney system. In such cases, going beyond the minimum recommended height would be preferable to provide a better draw.

The fireplace height approved for any chimney run with this fireplace system is 40 feet measured from bottom of firebox to flue outlet-end of pipe (see Figure 22).

**⚠ WARNING: Do not operate an unvented gas log set in this fireplace with the chimney removed.**

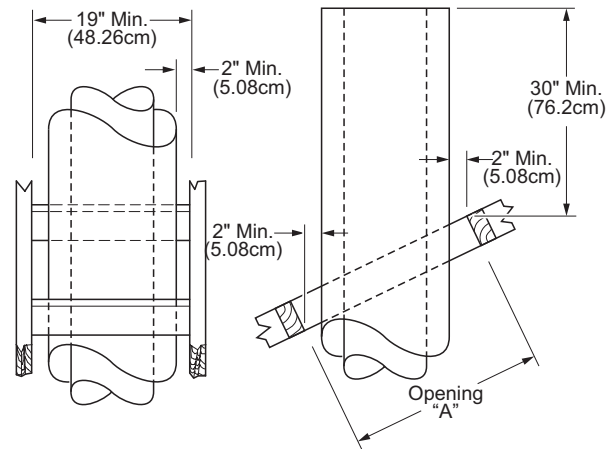


**Figure 22 - Maximum Chimney Height**

### PENETRATING ROOF

To maintain a 2" clearance to pipe on a roof with a pitch, a rectangular opening must be cut.

1. Determine center point where pipe will penetrate the roof.
2. Determine center point of the roof. Pitch is the distance the roof drops over a given span, usually 12". A 6/12 pitch means that the roof drops 6" for each 12" one measure horizontally down from roof rafters.
3. Use roof opening chart (Figure 23) to determine correct opening length and flashing required.
4. Remove shingles over opening measured. Cut out this section.
5. Add next sections of pipe until end penetrates roof line. Check to see that proper clearances are maintained. Extend chimney by adding sections of double wall pipe until pipe is minimum of 30" above highest point of roof cutout. Termination and chimney must extend a minimum of 36" above highest point where it passes through the roof (see 10-Foot Rule and Figure 21, page 9).



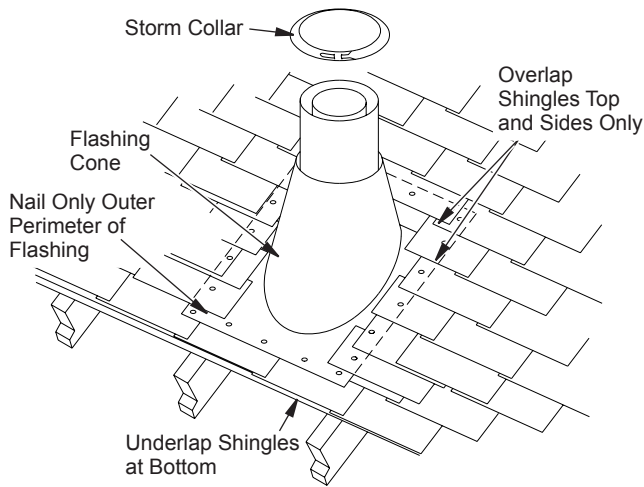
Pitch	Slope	Opening "A" Max.	Used Flashing Model No.
Flat	0°	19"	V6F-10DM
0-6/12	26.6°	23.25"	V6F-10DM
6/12-12/12	45°	30.75"	V12F-10DM

**Figure 23 - Roof Opening Measurements**

### FLASHING INSTALLATION

Determine flashing to be used with roof opening chart. Slide flashing over pipe until base is flat against roof. Replace as many shingles as needed to cover exposed area and flashing base. Secure in position by nailing through shingles (see Figure 24). **DO NOT NAIL THROUGH FLASHING CONE.**

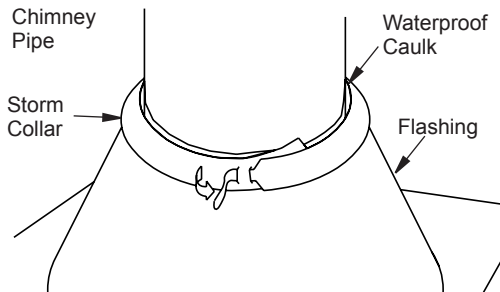
## VENTING INSTALLATION *Continued*



**Figure 24 - Flashing Installation**

### STORM COLLAR INSTALLATION (SC-10)

Place storm collar over pipe and slide down until it is snug against the open edge of the flashing (see Figures 24 and 25). Apply waterproof caulking to all seams and notches around storm and also at base around shingles.



**Figure 25 - Storm Collar**

### TERMINATIONS

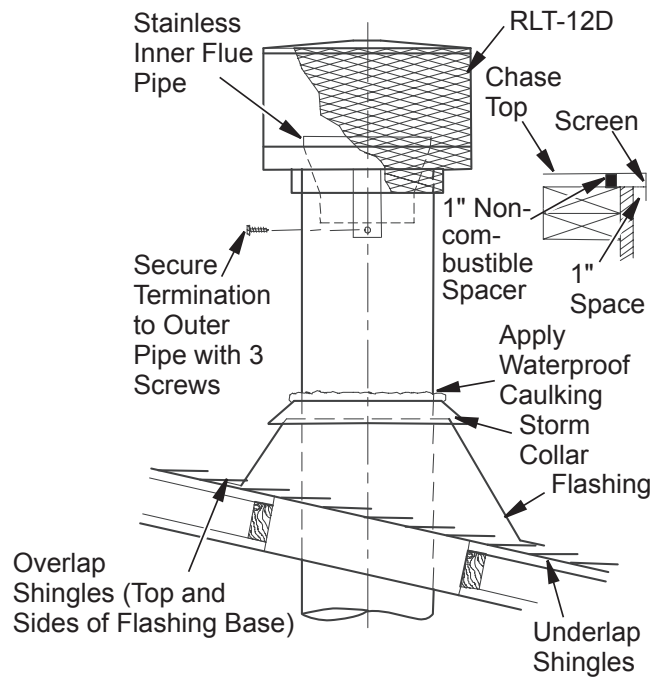
#### Standard Installation

The fireplace system must be terminated with the listed round top or chase terminations. In any case, refer to the installation instructions supplied with the termination.

Terminations approved for this fireplace are RLT-12D, which can be used for flashing or chase and STL-12D for chase style termination only. Figure 26, shows an RLT-12D round top termination.

Follow installation instructions provided with termination being used.

**CAUTION:** Do not seal openings on the rooftop flashing. Follow the installation instructions provided with the termination being used.

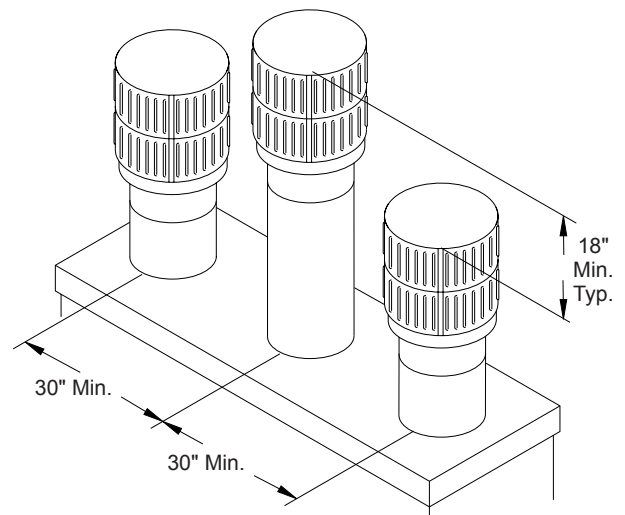


**Figure 26 - Terminations**

### CHASE INSTALLATIONS

Instructions for chase installations are included with the chase style termination chosen. In a multiple chase installation, be sure to provide adequate distance between terminations to prevent smoke spillage from one termination to another. Terminations must be separated a minimum of 30" center to center and stacked at a minimum vertical height difference of 18" (see Figure 27).

**Note:** If a decorative shroud is to be installed, contact the manufacturer for specifications.



**Figure 27 - Multiple Chase Installation**

## VENTING INSTALLATION *Continued*

### FINISHING FIREPLACE

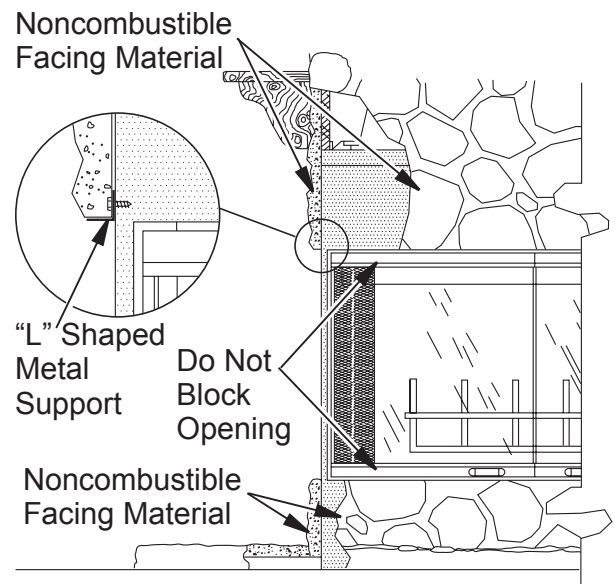
Combustible materials, such as wallboard, gypsum board, sheet rock, drywall, plywood, etc. may make direct contact with sides and top around the fireplace face. It is important that combustible materials do not overlap the face itself. Brick, glass, tile or other noncombustible materials may overlap the front face provided they do not obstruct essential openings like louvered slots or any other opening. When overlapping with a noncombustible facing material, use only noncombustible mortar or adhesive.

### INSTALLING FIREPLACE FACING.

Any noncombustible material may be used for facing (glass, tile, brick, etc.) as long as proper clearances are adhered to and fireplace openings are not obstructed in any way (see Minimum Clearance to Combustibles, page 5 and Figure 28).

Use only heat resistant, noncombustible mortar or adhesive when securing facing material to front of fireplace. When placing facing at upper edge of effective opening of fireplace, provide "L" shaped piece of metal extending full width of opening (see Figure 28).

Secure with sheet metal screws at a distance high enough from edge so it doesn't interfere with operation of doors. This assures that facing material will not block openings.



**Figure 28 - Fireplace Facing (Your Fireplace May Vary from Illustration)**

## OPTIONAL GAS LINE INSTALLATION

**⚠ WARNING: A qualified service person must connect fireplace to gas supply. Follow all local codes.**

A gas line may be installed for the purpose of installing a vented or vent-free decorative gas appliance available through your local distributor. Use only gas piping approved by local codes. When installing a gas line, a shutoff valve designed for installation outside the appliance is recommended.

The gas pipe is intended for connection to a decorative gas appliance that operates using natural or propane/LP gas only. This appliance must have an automatic shutoff device and must comply with the Standard for Decorative Gas Appliances for Installation in Vented Fireplace, ANSI Z21.60. **ONLY UNVENTED GAS LOG SETS WHICH HAVE BEEN FOUND TO COMPLY WITH THE STANDARD FOR UNVENTED ROOM HEATERS, ANSI Z21.11.2, ARE TO BE INSTALLED IN THIS FIREPLACE.**

**NOTICE:** Before you proceed, make sure your gas supply is turned off. Use only a 1/2" black iron pipe and appropriate fittings.

1. Remove knockout indentation on refractory or firebrick wall located approximately 2" above the refractory hearth floor. The knockout indentation must be firmly tapped with any solid object such as a 1/2" dowel until it is released. Remove fragmented portions of refractory (see Figure 29).
2. Remove gas line cover plate located on rear of fireplace and pull out insulation from gas line conduit sleeve. Save insulation for reuse.
3. Run 1/2" black iron gas line into the firebox through the rear at 11 1/4" from floor and through gas line conduit sleeve (if using a raised platform, add height). Provide sufficient gas line into firebox chamber for fitting connection (see Figure 30).

**Note:** Secure incoming gas line to wood framing to provide rigidity for threaded end.

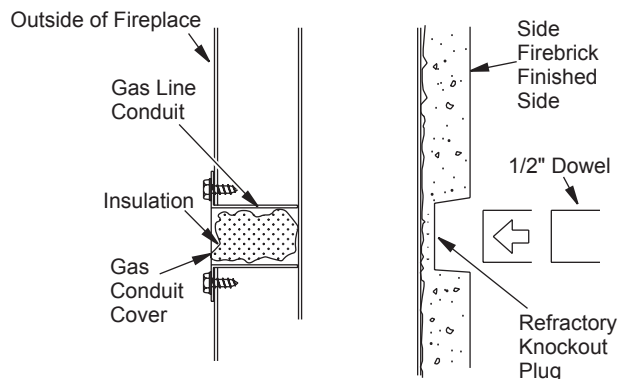
4. Repack insulation around gas line and into sleeve opening. Seal any gaps between gas line and refractory knockout hole with refractory cement or commercial furnace cement. Install the gas appliance or cap off gas line if desired.

**⚠ CAUTION: All gas piping and connections must be tested for leaks after installation is completed. After ensuring that gas valve is on, apply soap and water solution to all connections and joints. Bubbles forming show a leak. Correct all leaks at once. DO NOT USE AN OPEN FLAME FOR LEAK TESTING AND DO NOT OPERATE ANY APPLIANCE IF A LEAK IS DETECTED. LEAK TESTING SHOULD BE DONE BY A QUALIFIED SERVICE PERSON.**

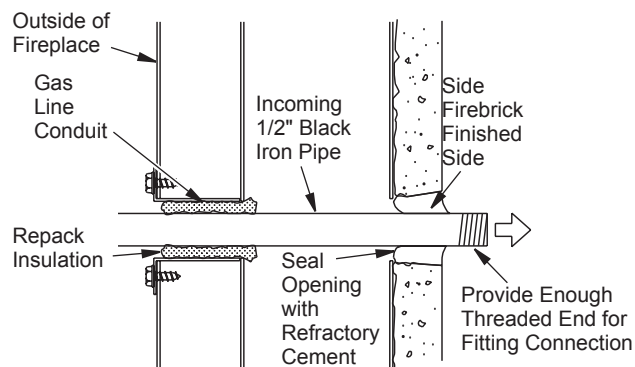
**Note:** An IHP hood must be installed when using an unvented gas log set (see [Accessories](#) on page 17).

**⚠ WARNING: Do not operate an unvented gas log set in this fireplace with chimney removed.**

If you install a decorative gas appliance (vented gas log), decorative gas appliance must comply with the Standard for Decorative Gas Appliance for Installation in Solid Fuel Burning Fireplaces, ANSI Z21.60/CSA 2.26 or Z21.84 and shall also be installed in accordance with ANSI Z223.1/NFPA 54 National Fuel Gas Codes (USA) and CAN/CGA-B149.1 National Gas And Propane Installation Code (Canada).



**Figure 29 - Gas Line Knockout**



**Figure 30 - Gas Line Installation**

**⚠ WARNING: To avoid the risk of damaging fireplace materials and increasing the risk of spreading a fire, do not use fireplace to cook or warm food.**

**⚠ WARNING: If the fireplace has been used for wood burning, firebox and chimney must be cleaned of soot, creosote and ashes by a qualified chimney cleaner. Creosote will ignite if heavily heated.**

**⚠ WARNING: When using a decorative vented gas log, damper must be removed or permanently locked in fully open position and glass doors must be in fully open position.**



## OPERATION AND MAINTENANCE GUIDELINES

### GLASS DOORS

Bi-fold glass doors are optional with this fireplace. Check with your local distributor for availability.

To install glass doors, refer to installation instructions that are included with kit. When fireplace is in operation, doors must be fully open or fully closed position only or a fire hazard may be created (see Figure or 31).

A fireplace equipped with glass doors operates much differently than a fireplace with an open front. A fireplace with glass doors has a limited amount of air for combustion. Excessive heat within the fireplace can result if too large a fire is built or if combustion air gate is not completely open.

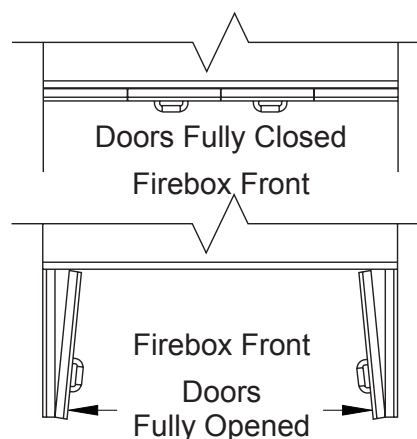
**IMPORTANT:** The following tips should be used to assure that both fireplace and glass door retain their beauty and function properly.

- Both the flue damper and glass doors must be fully opened before starting a fire. This will provide sufficient combustion air and maintain safe temperatures in firebox.
- The glass must be allowed to warm slowly and evenly. The tempered glass will withstand a gradual temperature rise to 550° F, which is more than a normal fire will generate. Such materials as pitch/wax laden logs, very dry mill end lumber and large amounts of paper or cardboard boxes. Always keep the fire well back from the doors and never allow flames to contact the glass.

**⚠ WARNING: FIREPLACES EQUIPPED WITH DOORS SHOULD BE OPERATED ONLY WITH DOORS FULLY OPEN OR DOORS FULLY CLOSED. IF DOORS ARE LEFT PARTLY OPEN, GAS AND FLAME MAY BE DRAWN OUT OF THE FIREPLACE OPENING, CREATING RISKS OF BOTH FIRE AND SMOKE.**

**⚠ WARNING: Discontinue use of the appliance immediately if doors are damaged and contact a qualified installer for repair. Only doors certified with the appliance shall be used.**

**⚠ WARNING: Do not slam or strike doors. Damage can result in a hazardous condition.**



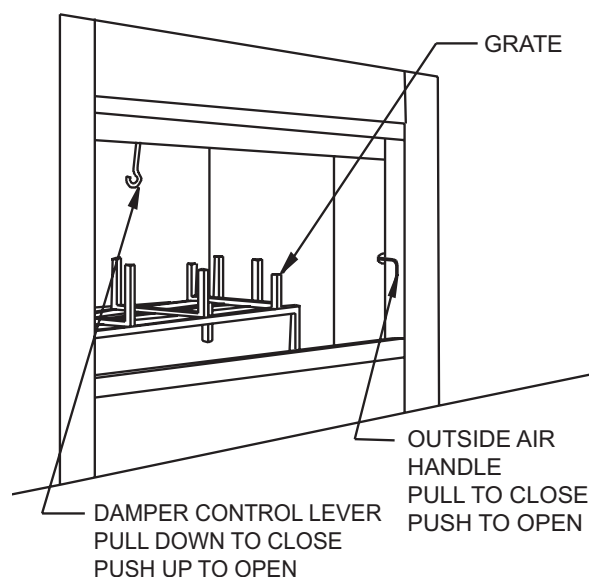
**Figure 31 - Bi-Fold Glass Doors**

### Cleaning Glass

Clean glass with any commercial glass cleaner or soap and water. Do not use any abrasive material to clean glass. Do not clean glass with any cool water if glass is still hot from the fire. To remove doors, refer to instructions included with glass door kit.

### DAMPER MECHANISM

The damper control lever is located inside the fire chamber (see Figure 32). Make sure lever is cool before handling. Pull down to close and push up to open. Damper must be open when lighting a fire. Not doing so will cause smoke spillage into the room. When firebox is not in use, close damper to prevent down drafts to enter room.



**Figure 32 - Damper Operation**

### OUTSIDE AIR MECHANISM

The outside air handle is located at the right hand side of firebox rear refractory (see Figure 32). Pull to close, push to open. Always open mechanism when starting a fire. This provides adequate outside combustion air. Close mechanism when not in use to prevent cold air from entering room. Periodically check your outside air intake vent hood for any possible obstructions such as snow, bushes, etc.

## OPERATION AND MAINTENANCE GUIDELINES

*Continued*

### GRATE

The grate is designed to provide you with the maximum solid fuel capacity. Do not overload grate or obstruct required air space beneath it. Doing so may cause smoke spillage and a fire hazard. Always keep ashes from building up under grate.

**⚠ WARNING: Risk of fire! Replace grate with IHP model 11169 grate only. This grate has been designed to keep the operation of your fireplace safe and efficient.**

Never obstruct flow of combustion and ventilation air. Keep front of fireplace clear of all obstacles and materials.

### CHIMNEY

Have your chimney system cleaned and inspected regularly to ensure safe and efficient operation.

For further operating guidelines, instructions and warranty information, please refer to your homeowner's guide or contact your dealer.

**⚠ WARNING: Children and adults should be alerted to the hazards of high surface temperatures and to stay away from these to avoid burns or clothing ignition. Young children should be carefully supervised when they are in the same room as fireplace.**

## REPLACEMENT PARTS

See Page 16 Fireplace Accessories section for replacement parts. Use only parts supplied from the manufacturer.

Normally, all parts should be ordered through your IHP distributor or dealer. Parts will be shipped at prevailing prices at time of order.

When ordering repair parts, always give the following information:

1. The model number of the fireplace.
2. The serial number of the fireplace.
3. The part number.
4. The description of the part.
5. The quantity required.
6. The installation date of the fireplace.

If you encounter any problems or have any questions concerning the installation or application of this fireplace, please contact your dealer.

### IHP

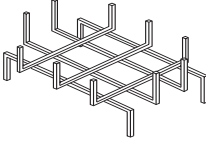
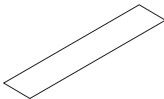
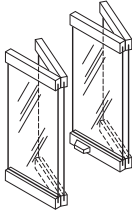
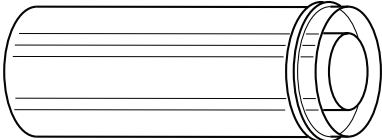
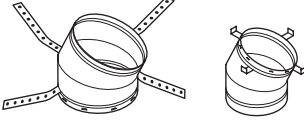
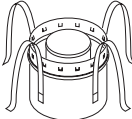
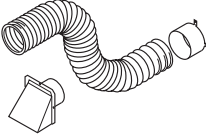
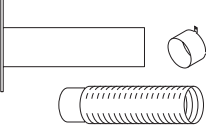
**1508 Elm Hill Pike, Suite 108**

**Nashville, TN 37210**


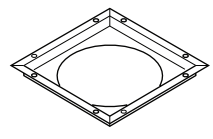
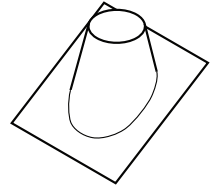
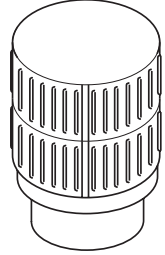
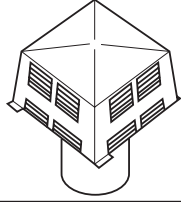
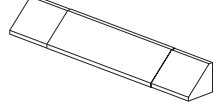
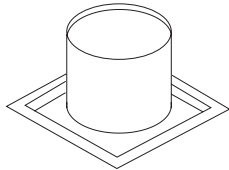

**Visit us at [Superiorfireplaces.US.com](http://Superiorfireplaces.US.com)**

## TECHNICAL SERVICE

You may have further questions about installation, operation, or troubleshooting. Please contact your IHP dealer for any questions or concerns. When contacting your dealer please have your model and serial numbers of your fireplace ready. You can also visit our web site at [Superiorfireplaces.US.com](http://Superiorfireplaces.US.com).

<b>FIREPLACE ACCESSORIES</b>			
<b>CAT NO.</b>	<b>MODEL</b>	<b>DESCRIPTION</b>	
<b>REFRACTORY</b>			<b>(Not Shown)</b>
J7026		Refractory, Side L/R 3610ST (2 Ea.)	
J7024		Refractory, Bottom 3610ST (2 Ea.)	
J7025		Refractory, Side Front 3610ST(4 Ea.)	
<b>GRATE</b>			
J4671		Grate 3610ST	
<b>SCREEN ASSEMBLY</b>			<b>(Not Shown)</b>
J5668		Screen 19 3/8 X 21	
J4956		Nut Push-On .765 X .445 X .011 Black	
J6928		Rod, Screen 36L/R/LS/RS	
<b>EMBER PROTECTOR</b>			
J6906		Protector, Ember EP 36	
<b>INSTALLATION ACCESSORIES</b>			
<b>BI-FOLD GLASS DOORS</b>			
F1025	DBP368ST	36" See Thru WB Bi-Fold Door (1 side) - Black Finish	
F1026	DC368ST	36" See Thru WB Bi-Fold Door (1 side) - Platinum Finish	
J0455	DG368ST	36" See-Thru WB Bi-Fold Door (1 side) - Brushed Finish	
<b>DOUBLE WALL PIPE</b>			
F0932	12-12DM	12" Section Double Wall Pipe Snap Lock	
F0933	18-12DM	18" Section Double Wall Pipe Snap Lock	
F0934	24-12DM	24" Section Double Wall Pipe Snap Lock	
F0935	36-12DM	36" Section Double Wall Pipe Snap Lock	
F0936	48-12DM	48" Section Double Wall Pipe Snap Lock	
<b>30° OFFSET AND RETURN</b>			
F0937	30E-12DM	30 Degree Offset and Return	
<b>CHIMNEY SUPPORT</b>			
F0938	12S-12DM	Chimney Support above 20'	
<b>OPTIONAL OUTSIDE AIR KIT FOR FLOOR INSTALLATION</b>			
F1091	AK4	Complete Outside Air Kit w/Collars Hood & 3' Flex	
<b>OPTIONAL OUTSIDE AIR KIT FOR SIDEWALL INSTALLATION</b>			
F1093	AK4F	Outside Air Kit Collar, Hood & 3' Flex for Floor Venting	

## INSTALLATION ACCESSORIES *Continued*

<b>STORM COLLAR</b>			
F0946	SC2-1	Storm Collar (1 ea.)	
<b>FIRESTOP SPACER</b>			
F0940	FS-10	2" Clearance Firestop Spacer (1ea)	
F0941	30FS-10	30° Firestop Spacer (1)	
<b>ROOF FLASHING</b>			
F0942	V6F-10DM	Roof Flashing 0 to 6/12 Pitch	
F0943	V12F-10DM	Roof Flashing 6/12 to 12/12 Pitch	
<b>ROUND TOP TERMINATION</b>			
F0947	RLT-12D	Round Top Termination with Louvered Screen	
<b>ECONO TOP TERMINATION</b>			
F0948	STL-12D	Square Top Termination with Slip Section	
<b>ADJUSTABLE HOOD</b> Required when installing a vent-free gas log in this fireplace.			
F1764	GA6050	Black Fireplace Hood	
<b>FIRESTOP THIMBLE</b>			
F0944	FST10	Firestop Thimble	
<b>HIGHT TEMPERATURE TOUCH-UP PAINT</b>			<b>(Not Shown)</b>
J3943		Kit Touch-Up paint	
<b>LABEL-UL127-50PK</b>			
F2659	LABEL-UL127-50PK	UL127 Venting Label - 50 PK	

## IMPORTANT NOTICES

### IMPORTANT NOTICE

**A manufactured shroud which has been approved by a national testing agency for use with this fireplace may be used if installed in accordance with the instructions by its manufacturer. A locally fabricated shroud may be used with IHP Shroud Leg Spacer Kit (SLK) in accordance with instructions provided with the shroud.**

**NOTICE: The firebox canopy (hood) must not be modified or replaced with a canopy that may be provided with the unvented decorative room heater.**

**CAUTION: THE STRUCTURAL INTEGRITY OF THE MANUFACTURED HOME FLOOR, WALL, AND CEILING/ROOF MUST BE MAINTAINED.**

**WARNING: DO NOT INSTALL IN SLEEPING ROOM OF MOBILE HOMES.**

Canadian code CAN/ULC-S610-M87 and other pertinent codes require stainless steel chimney for the installation of this fireplace. A Cold Air Climate Kit is also required in Canada and is recommended for cooler regions in the United States. Below, find a list of approved stainless steel parts.

#### Chimney Parts List for Canada

Catalog No.	Model No.	8" Hi-Temp Wood burning Chimney
F0953	12-12HT	12" Section Double Wall Pipe
F0954	18-12HT	18" Section Double Wall Pipe
F0955	24-12HT	24" Section Double Wall Pipe
F0956	36-12HT	36" Section Double Wall Pipe
F0957	48-12HT	48" Section Double Wall Pipe
F0958	30E-12HT	30" Offset and Return
F0959	12S-12HT	Chimney Support
F0960	RLT-12HT	Round Top w/ Louvers
F0961	AP-12HT	Anchor Plate/Collar Assembly (Masonry Fireplaces)
F0951	CAK-12	Cold Air Collar Kit

\*When ordered alone, this part cannot ship via parcel delivery services.



# Innovative Hearth Products Astria® Brand Wood-Burning Fireplace 20 Year Limited Warranty

## THE WARRANTY

Innovative Hearth Products ("IHP") 20 Year Limited Warranty warrants your Astria® brand wood burning fireplace ("Product") to be free from defects in materials and workmanship at the time of manufacture. The Product body, firebox and ceramic glass carry the 20 Year Limited Warranty. Ceramic glass carries the 20 Year Limited Warranty against thermal breakage only. After installation, if covered components manufactured by IHP are found to be defective in materials or workmanship during the 20 Year Limited Warranty period and while the Product remains at the site of the original installation, IHP will, at its option, repair or replace the covered components. If repair or replacement is not commercially practical, IHP will, at its option, refund the purchase price or wholesale price of the IHP product, whichever is applicable. IHP will also pay IHP prevailing labor rates, as determined in its sole discretion, incurred in repairing or replacing such components for up to five years. THERE ARE EXCLUSIONS AND LIMITATIONS to this 20 Year Limited Warranty as described herein.

## COVERAGE COMMENCEMENT DATE

Warranty coverage begins on the date of purchase. In the case of new home construction, warranty coverage begins on the date of first occupancy of the dwelling or six months after the sale of the Product by an independent IHP dealer/distributor, whichever occurs earlier. The warranty shall commence no later than 24 months following the date of product shipment from IHP, regardless of the installation or occupancy date.

## EXCLUSIONS AND LIMITATIONS

This 20 Year Limited Warranty applies only if the Product is installed in the United States or Canada and only if operated and maintained in accordance with the printed instructions accompanying the Product and in compliance with all applicable installation and building codes and good trade practices.

This warranty is non-transferable and extends to the original owner only. The Product must be purchased through a listed supplier of IHP and proof of purchase must be provided. The Product body and firebox carry the 20 Year Limited Warranty from the date of installation. Vent components, trim components, paint and applied stains are excluded from this 20 Year Limited Warranty. The following do not carry a 20 Year Limited Warranty but are warranted as follows:

**Air tubes, baffles and brick retainers** – Repair or replacement for one year from the date of installation

**Cast iron parts** – Replacement for one year from date of installation

**Electrical components** – Repair or replacement for one year from the date of installation

**Fireplace screens, refractory and side shields (metal or refractory)** – Repair or replacement for two years from date of installation. Excludes hairline cracks.

**Fuel grates** – These parts are considered consumable accessories and therefore are not warranted, with the exception of defects in material or workmanship which are covered for 90 days from the date of installation

**Gaskets** – Replacement for one year from date of installation

**Gold & nickel plating** – Replacement for two years from date of installation. Excludes tarnishing

**Optional glass doors** – Repair or replacement for 90 days from the date of installation

**Labor coverage** – Prevailing IHP labor rates apply for the warranty period of the component.

**Parts not otherwise listed carry a 90 day warranty from the date of installation.**

**Whenever practicable, IHP will provide replacement parts, if available, for a period of 10 years from the last date of manufacture of the Product.**

IHP will not be responsible for: (a) damages caused by normal wear and tear, accident, riot, fire, flood or acts of God; (b) damages caused by abuse, negligence, misuse, or unauthorized alteration or repair of the Product affecting its stability or performance. (The Product must be subject to normal use with approved fuels listed in the Operation Manual provided with the product. This includes burning such fireplace fuels as wood and natural or propane gas. Fuel products with abnormal burning characteristics, including but not limited to fuel such as driftwood, coal or plywood and wood products using a binder may burn at excessive temperatures and may cause damage to the Product or may cause it to function improperly.); (c) damages caused by failing to provide proper maintenance and service in accordance with the instructions provided with the Product; (d) damages, repairs or inefficiency resulting from faulty installation or application of the Product.

Coverage of this 20 Year Limited Warranty is conditional upon use of an adequate fuel grate on factory-built fireplaces only, when applicable.

IHP is not responsible for inadequate fireplace system draft caused by air conditioning and heating systems, mechanical ventilation systems, or general construction conditions which may generate negative air pressure in the room in which the appliance is installed. Additionally IHP assumes no responsibility for smoking conditions caused by inadequate chimney height, adjoining trees or buildings, adverse wind conditions or unusual environmental factors and conditions. Certain IHP Products are listed for use with Security Chimneys International, Ltd. or IHP chimney systems only. Use of chimney components other than that specified in the Product manual will void the Product warranty.

This 20 Year Limited Warranty covers only parts and labor as provided herein. In no case shall IHP be responsible for materials, components or construction which are not manufactured or supplied by IHP or for the labor necessary to install, repair or remove such materials, components or construction. Additional utility bills incurred due to any malfunction or defect in equipment are not covered by this 20 Year Limited Warranty. All replacement or repair components will be shipped F.O.B. from the nearest stocking IHP factory.

## LIMITATION ON LIABILITY

It is expressly agreed and understood that IHP's sole obligation and the purchaser's exclusive remedy under this warranty, under any other warranty, expressed or implied, or in contract, tort or otherwise, shall be limited to replacement, repair, or refund, as specified herein.

In no event shall IHP be liable for any incidental or consequential damages caused by defects in the Product, whether such damage occurs or is discovered before or after replacement or repair, and whether such damage is caused by IHP's negligence. IHP has not made and does not make any representation or warranty of fitness for a particular use or purpose, and there is no implied condition of fitness for a particular use or purpose.

IHP makes no expressed warranties except as stated in this 20 Year Limited Warranty. The duration of any implied warranty is limited to the duration of this expressed warranty.

No one is authorized to change this 20 Year Limited Warranty or to create for IHP any other obligation or liability in connection with the Product. Some states and provinces do not allow the exclusion or limitation of incidental or consequential damages, so the above limitations or exclusions may not apply to you. The provisions of this 20 Year Limited Warranty are in addition to and not a modification of or subtraction from any statutory warranties and other rights and remedies provided by law.

## INVESTIGATION OF CLAIMS AGAINST WARRANTY

IHP reserves the right to investigate any and all claims against this 20 Year Limited Warranty and to decide, in its sole discretion, upon the method of settlement.

To receive the benefits and advantages described in this 20 Year Limited Warranty, the appliance must be installed and repaired by a licensed contractor approved by IHP.

Contact IHP at the address provided herein to obtain a listing of approved dealers/distributors. **IHP shall in no event be responsible for any warranty work done by a contractor that is not approved without first obtaining IHP's prior written consent.**

## HOW TO REGISTER A CLAIM AGAINST WARRANTY

In order for any claim under this warranty to be valid, you must contact the IHP dealer/distributor from which you purchased the product. If you cannot locate the dealer/distributor, then you must notify IHP in writing. IHP must be notified of the claimed defect in writing within 90 days of the date of failure. Notices should be directed to the IHP Warranty Department at 1508 Elm Hill Pike, Suite 108; Nashville, TN 37210 or visit our website at WWW.ASTRIA.US.COM.

---

---

## WARRANTY

---

---

KEEP THIS WARRANTY

Model Number \_\_\_\_\_  
Serial Number \_\_\_\_\_  
Date Installed \_\_\_\_\_  
Dealer's Name \_\_\_\_\_  
Dealer's Phone Number \_\_\_\_\_  
Keep receipt for warranty verification

---

Innovative Hearth Products reserves the right to make changes at any time, without notice, in design, materials, specifications, prices and also to discontinue colors, styles and products. Consult your local distributor for fireplace code information.



P126613 01

