



Installation and Operation Instructions

Superior™ Vented Natural Gas Logs Decorative Appliance

P/N 126903-01 Rev.A 02/2014



Models

PHK18	PHK24	PHK30
-------	-------	-------

INSTALLER: Leave this manual with the appliance.
CONSUMER: Retain this manual for future reference.

This appliance may be installed in an aftermarket permanently located, manufactured (mobile) home, where not prohibited by local codes. This appliance is only for use with the type of gas indicated on the rating plate. This appliance is not convertible for use with other gases.

WARNING: This appliance is for installation only in a solid-fuel burning masonry or UL127 factory-built fireplace, constructed of noncombustible material and connected to a working flue. (See page 6 for minimum flue opening.)

WARNING: This is a gas-fired appliance. It uses air (oxygen) from the room in which it is installed. Provisions for adequate combustion and ventilation air must be provided. Refer to the National Fuel Gas Codes, ANSI Z233.1/NFPA 54, Section 5.3 for Combustion and Ventilation.

These logs are approved by the manufacturer for installation in listed indoor and outdoor solid fuel burning fireplaces.

⚠ WARNING: If the information in these instructions is not followed exactly, a fire or explosion may result causing property damage, personal injury or loss of life.

- Do not store or use gasoline or other flammable vapors and liquids in the vicinity of this or any other appliance.
- **WHAT TO DO IF YOU SMELL GAS:**
 - Do not try to light any appliance.
 - Do not touch any electrical switch; do not use any phone in your building.
 - Immediately call your gas supplier from a neighbor's phone. Follow the gas supplier's instructions.
 - If you cannot reach your gas supplier, call the fire department.
- Installation and service must be performed by a qualified installer, service agency or the gas supplier.

TABLE OF CONTENTS

Safety	2	Cleaning and Maintenance	11
Local Codes	5	Troubleshooting	12
Unpacking	5	Technical Service	14
Product Identification	5	Replacement Parts	14
Optional Product Features	5	Accessories	14
Installation	6	Parts	15
Operation	11	Warranty	17

SAFETY

⚠ WARNING: Improper installation, adjustment, alteration, service or maintenance can cause injury or property damage. Refer to this manual for correct installation and operational procedures. For assistance or additional information consult a qualified installer, service agency or the gas supplier.

⚠ WARNING: This appliance is for installation only in a solid-fuel burning masonry or UL127 factory-built fireplace, constructed of noncombustible material and connected to a working flue. (See page 6 for minimum flue opening.)

⚠ WARNING: This is a gas-fired appliance. It uses air (oxygen) from the room in which it is installed. Provisions for adequate combustion and ventilation air must be provided. Refer to the *National Fuel Gas Codes, ANSI Z233.1/NFPA 54, Air for Combustion and Ventilation.*

This appliance may be installed in an aftermarket,* permanently located, manufactured (mobile) home, where not prohibited by local codes.

This appliance is only for use with the type of gas indicated on the rating plate. This appliance is not convertible for use with other gases.

* Aftermarket: Completion of sale, not for purpose of resale, from the manufacturer

State of Massachusetts: The installation must be made by a licensed plumber or gas fitter in the Commonwealth of Massachusetts.

⚠ WARNING: This product contains and/or generates chemicals known to the State of California to cause cancer or birth defects or other reproductive harm.

⚠ WARNING: Keep flue open when operating unit.

IMPORTANT: Read this owner's manual carefully and completely before trying to assemble, operate or service this log set. Improper use of this log set can cause serious injury or death from burns, fire, explosion, electrical shock and carbon monoxide poisoning.

SAFETY

Continued

⚠ DANGER: Carbon monoxide poisoning may lead to death!

Carbon Monoxide Poisoning: Early signs of carbon monoxide poisoning resemble the flu, with headaches, dizziness or nausea. If you have these signs, the log set may not be working properly. **Get fresh air at once!** Have log set serviced. Some people are more affected by carbon monoxide than others. These include pregnant women, people with heart or lung disease or anemia, those under the influence of alcohol and those at high altitudes.

Natural & LP Gas: Natural & LP gas are odorless. An odor-making agent is added to the gas. The odor helps you detect a gas leak. However, the odor added to the gas can fade. Gas may be present even though no odor exists.

Make certain you read and understand all warnings. Keep this manual for reference. It is your guide to safe and proper operation of this log set.

⚠ WARNING: Any change to this log set or its controls can be dangerous.

⚠ WARNING: Do not use a blower insert, heat exchanger insert or other accessory not approved for use with this appliance.

⚠ WARNING: This appliance is equipped for either natural gas or propane/LP gas but not both. Gas type is indicated on the rating plate. Field conversion is not permitted.

⚠ WARNING: Do not allow fans to blow directly into the fireplace. Avoid any drafts that alter burner flame patterns.

⚠ WARNING: Installed decorative glass door enclosures must be fully opened when operating this gas appliance.

Due to high temperatures, the appliance should be located out of traffic and away from furniture and draperies.

Do not place clothing or other flammable material on or near the appliance. Never place any objects on the appliance.

Appliance assembly becomes very hot when running appliance. Keep children and adults away from hot surface to avoid burns or clothing ignition. Appliance will remain hot for a time after shutdown. Allow surface to cool before touching.

Carefully supervise young children when they are in the room with appliance.

You must operate this appliance with a fireplace screen in place. Make sure fireplace screen is closed before running this log set.

The screen shall have openings for introduction of combustion air.

Keep the appliance area clear and free from combustible materials, gasoline and other flammable vapors and liquids.

Children and adults should be alerted to the hazard of high temperature and should stay away to avoid burns or clothing ignition.

SAFETY

Continued

1. This appliance, as supplied, is only for use with the type of gas indicated on the rating plate. This appliance is not convertible for use with propane/LP gas.
2. If you smell gas
 - shut off gas supply
 - do not try to light any appliance
 - do not touch any electrical switch; do not use any phone in your building
 - immediately call your gas supplier from a neighbor's phone. Follow the gas supplier's instructions
 - if you cannot reach your gas supplier, call the fire department
3. Never install the log set
 - in a recreational vehicle
 - where curtains, furniture, clothing or other flammable objects are less than 42" from the front, top or sides of the log set
 - in high traffic areas
 - in windy or drafty areas
4. Before installing in a solid fuel burning fireplace, the chimney flue and firebox must be cleaned of soot, creosote, ashes and loose paint by a qualified chimney cleaner. Creosote will ignite if highly heated. Inspect chimney flue and firebox for damage. If damaged, repair flue before operating appliance.
5. You must operate this log set with a fireplace screen in place. Make sure fireplace screen is closed before running log set.
6. This log set is designed to be smokeless. If logs ever appear to smoke, turn off appliance and call a qualified service person.
Note: During initial operation, slight smoking could occur due to log curing and the burning of manufacturing residues. You may wish to add more ventilation by opening a window.
7. To reduce the creation of soot, follow the instructions in Cleaning and Maintenance, page 13.
8. Do not allow fans to blow directly into the fireplace. Avoid any drafts that alter burner flame patterns. Ceiling fans can create drafts that alter burner flame patterns. Altered burner patterns can increase sooting.
9. Do not use a blower insert, heat exchanger insert or other accessory not approved for use with this log set.
10. This installation and provisions for combustion and ventilation air must conform to the *National Fuel Gas Code, ANSI Z233.1/NFPA 54, Air for Combustion and Ventilation*.
11. Do not run log set
 - where flammable liquids or vapors are used or stored
 - under dusty conditions
12. Do not burn solid fuel in the fireplace after installing the log set. Do not use this log set to cook food or burn paper or other objects.
13. Log set becomes very hot when in use. Keep children and adults away from hot surface to avoid burns or clothing ignition. Log set will remain hot for a time after shutdown. Allow surface to cool before touching.
14. Carefully supervise young children when they are in the room with log set.
15. Do not use appliance if any part has been exposed to or under water. Immediately call a qualified service technician to inspect the room appliance and to replace any part of the control system.
16. To help prevent breakage, new logs must be broken-in (see Curing Logs, page 12).
17. Turn log set off and let cool before servicing, installing or repairing. Only a qualified service person should install, service or repair log set.
15. The installation of these appliances in manufactured homes in the U.S. must conform with the *Manufactured Home Construction and Safety Standard, Title 24 CFR, Part 3280*, in the United States, or when such a standard is not applicable, *Manufactured Home Installations Standard, ANSI/NCSBCS A225.1/NFPA 501A*.

LOCAL CODES

Install and use log set with care. Follow all local codes. In the absence of local codes, use the latest edition of *The National Fuel Gas Code, ANSI Z223.1/NFPA 54**.

*Available from:

American National Standards Institute, Inc.

1430 Broadway
New York, NY 10018

National Fire Protection Association, Inc.

Batterymarch Park
Quincy, MA 02269

UNPACKING

⚠ CAUTION: Do not remove the data plates from the burner pan. The data plates contain important warranty and safety information.

1. Remove logs, hearth kit, pan materials and hardware from carton.
2. Remove all protective packaging applied to logs and base for shipment.
3. Check appliance for any shipping damage. If appliance is damaged call INNOVATIVE HEARTH PRODUCTS at 1-800-655-2008 for replacement parts before returning to dealer.

PRODUCT IDENTIFICATION

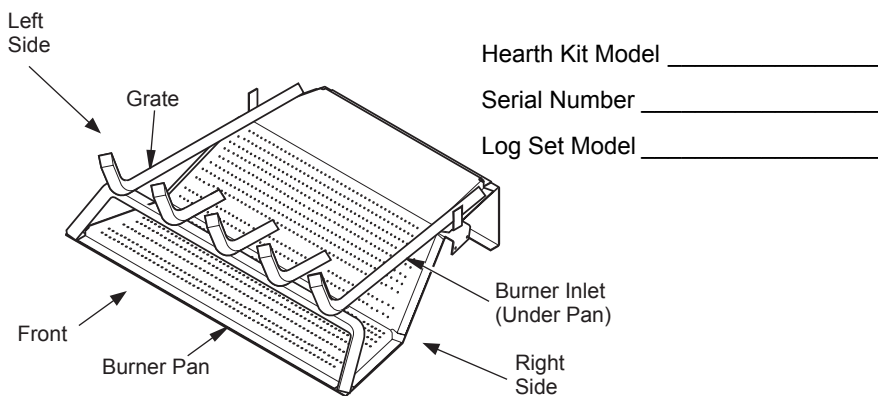


Figure 1 - Product Identification (Ramp Pan Burner)

INSTALLATION

⚠ WARNING: Before installing in a solid fuel burning fireplace, the chimney flue and firebox must be cleaned of soot, creosote, ashes and loose paint by a qualified chimney cleaner. Creosote will ignite if highly heated. A dirty chimney flue may create and distribute soot within the house. Inspect chimney flue and firebox for damage. If damaged, repair flue before operating appliance.

NOTICE: Installation, service and repair of this appliance must be performed by a qualified installer, service agency, company or gas supplier experienced with this type of gas appliance. Only factory authorized components listed in these instructions may be used in accordance with the manufacturer's instructions and all codes and requirements of the authority having jurisdiction. Any modifications to this kit or use of unauthorized components or accessory items will void the manufacturer's warranty and may result in a hazardous condition.

FLUE OPENING SPECIFICATIONS

Note: This vented appliance must be installed only in a solid-fuel burning fireplace with a working flue and constructed of noncombustible material.

The charts in Figure 2 indicate technical information regarding the installation of your gas log set. Please make sure that all of the specifications shown are applicable before installation is attempted.

The fireplace must include a working flue and venting system with the minimum openings shown in the Figure 2.

Model	Burner Description	BTU Input (Natural Gas)	Minimum Flue Opening
PHK18	18" Ramp	57,000	8"
PHK24	24" Ramp	80,000	8"
PHK30	30" Ramp	90,000	8"

Minimum Fireplace Dimensions				
Model	Front Width	Back Width*	Depth	Height
PHK18	28"	18"	16"	18"
PHK24	36"	23"	16"	18"
PHK30	42"	29"	18"	18"

* At depth Indicated

Fuel Inlet Pressure Specifications (W.C.)		
	Min.	Max.
N.G.	5.5"	10.5"

Burner Orifice Sizing		
Log Size	Natural Gas	
	In.	Num.
18"	0.120	31
24"	0.140	28
30"	0.1495	25

Figure 2 - Technical Information Charts

INSTALLATION

Continued

CHECK GAS TYPE

Use only natural gas. If your gas supply is not natural gas, you **MUST NOT** install this log set.

If the fireplace does not have a gas supply shutoff valve, one must be installed.

⚠ WARNING: This appliance is equipped for natural gas. Field conversion is not permitted.

VENTING SPECIFICATIONS FOR INSTALLATION

The fireplace chimney flue and vent must be drafting properly. To check the vent for proper drafting: Light a tightly rolled newspaper on one end and place it at the inside front edge of the fireplace. Observe the smoke and be sure the vent is properly drawing it up the chimney. If the smoke spills out into the room, extinguish the flame and remove any obstruction until proper venting is achieved.

The chimney flue must remain open a minimum of 3" at all times during the operation of this log set.

INSTALLING DAMPER CLAMP

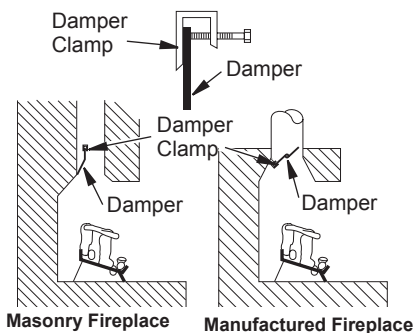


Figure 3 - Attaching Damper Clamp

Secure the damper stop clamp provided to the leading edge of the damper as shown in Figure 3. If for any reason this clamp doesn't work on your fireplace, another suitable clamp or permanent stop must be installed or the damper blade must be cut or removed.

CONNECTING TO GAS SUPPLY

⚠ WARNING: A qualified service person must connect log set to gas supply. Follow all local codes.

Installation Items Needed

Before installing log set, make sure you have the items listed below.

- piping (check local codes)
- sealant (resistant to propane/LP gas)
- equipment shutoff valve
- test gauge connection
- adjustable (crescent) wrench or pliers
- sediment trap
- tee joint
- pipe wrench

⚠ CAUTION: Use only new, black iron or steel pipe. Internally-tinned copper tubing may be used in certain areas. Check your local codes. Use pipe of 1/2" diameter or greater to allow proper gas volume to log set. If pipe is too small, undue loss of volume will occur.

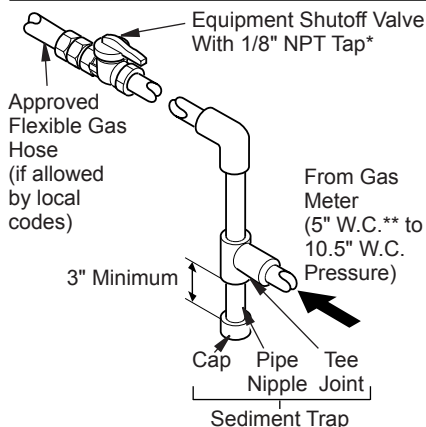


Figure 4 - Gas Connection

* Purchase the optional equipment shutoff valve from your dealer.

** Minimum inlet pressure for purpose of input adjustment.

INSTALLATION

Continued

Installation must include an equipment shutoff valve, union and plugged 1/8" NPT tap. Locate NPT tap within reach for test gauge hook up. NPT tap must be upstream from log set (see Figure 4).

IMPORTANT: Install equipment shutoff valve in an accessible location. The equipment shutoff valve is for turning on or shutting off the gas to the appliance.

Apply pipe joint sealant lightly to male NPT threads. This will prevent excess sealant from going into pipe. Excess sealant in pipe could result in a clogged burner injector.

WARNING: Use pipe joint sealant that is resistant to liquid petroleum (LP) gas.

We recommend that you install a sediment trap (not supplied with log set) in supply line as shown in Figure 4, page 7. Locate sediment trap where it is within reach for cleaning. Install in piping system between fuel supply and appliance. Locate sediment trap where trapped matter is not likely to freeze. A sediment trap captures moisture and contaminants. This keeps them from going into log set controls. If sediment trap is not installed or is installed wrong, log set may not run properly.

CHECKING GAS CONNECTIONS

WARNING: Test all gas piping and connections, internal and external to unit, for leaks after installing or servicing. Correct all leaks at once.

WARNING: Never use an open flame to check for a leak. Apply a noncorrosive leak detection fluid to all joints. Bubbles forming show a leak. Correct all leaks at once.

Pressure Testing Gas Supply Piping System

Test Pressures In Excess Of 1/2 PSIG (3.5 kPa)

1. Disconnect appliance with its appliance main gas valve (control valve) and equipment shutoff valve from gas supply piping

system. Pressures in excess of 1/2 psig 3.5 kPa) will damage appliance regulator.

2. Cap off open end of gas pipe where equipment shutoff valve was connected.
3. Pressurize supply piping system by either using compressed air or opening main gas valve located on or near gas meter.
4. Check all joints of gas supply piping system. Apply noncorrosive leak detection fluid to gas joints. Bubbles forming show a leak.
5. Correct all leaks at once.
6. Reconnect log set and equipment shutoff valve to gas supply. Check reconnected fittings for leaks.

Test Pressures Equal To or Less Than 1/2 PSIG (3.5 kPa)

1. Close equipment shutoff valve (see Figure 5).
2. Pressurize supply piping system by either using compressed air or opening main gas valve located on or near gas meter.
3. Check all joints from gas meter to equipment shutoff valve (see Figure 5). Apply mixture of liquid soap and water to gas joints. Bubbles forming show a leak.
4. Correct all leaks at once.

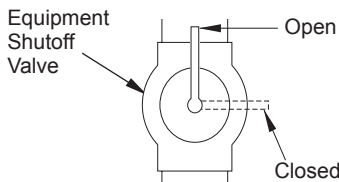


Figure 5 - Equipment Shutoff Valve

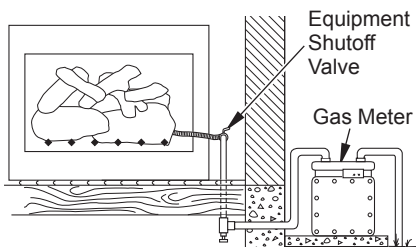


Figure 6 - Checking Gas Joints

INSTALLATION

Continued

HEARTH KIT ASSEMBLY AND INSTALLATION

Kit Assembly - Ramp Pan Burner

1. Determine which side gas line feeds into fireplace. This log set is factory set up for right side (facing) gas feed. If your gas line is on the right side of fireplace, go to Installation and Gas Connection. If your gas line is on the left side of fireplace, proceed with steps 2 through 4 below.
2. Remove nuts securing gas inlet venturi to bottom of burner.
3. Remove venturi from pan taking care not to damage gasket between venturi and pan.
4. Reverse direction of venturi and reattach to bottom of pan using factory nuts.

TESTING BURNER FOR LEAKS

1. Generously apply noncorrosive leak detection fluid to all connections.
2. Light burner with shutoff valve no more than half open and holding a match slightly in front of pan (see Lighting Instructions, page 10).
3. Inspect all connections for bubbles, raw gas odor, or flame from any area other than burner (leaks). If leaks are detected, shut off gas valve immediately. Tighten, or reassemble loose connection(s) using pipe joint compound until burner system is leak free.
4. When burner is tested and leak free, observe individual tongues of flame on burner. Make sure all ports are clear and producing flame evenly across burner. If any ports appear blocked, clear by removing burner manifold and reaming ports with a modified paper clip or other suitable tool.
5. When finished testing, turn gas shutoff valve OFF to extinguish all flames.

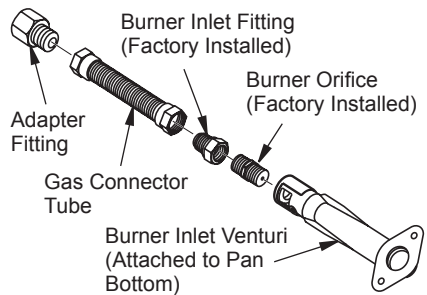


Figure 7 - Venturi Gas Connection

INSTALLATION

Continued

ADDING PAN MATERIAL

1. Open bag of glowing embers and spread it evenly over burner ramp.
2. Open small bag of platinum embers and place randomly throughout ember bed; more heavily near front of ramp.

INSTALLING THE GRATE AND LOGS

1. Place grate over burner pan where two outer horizontal supports on grate fit into two pan positioning tabs on outer edges of pan.
2. Place large back log on grate at top tier (rear) of ramp (see Figure 8).
3. Figures 8 and 9 show a suggested log arrangement, however you may arrange logs as you wish. Leave as much open space between logs as possible to minimize flame impingement and sooting.

Note: Logs may chip if they are handled roughly or if hit together while being placed.

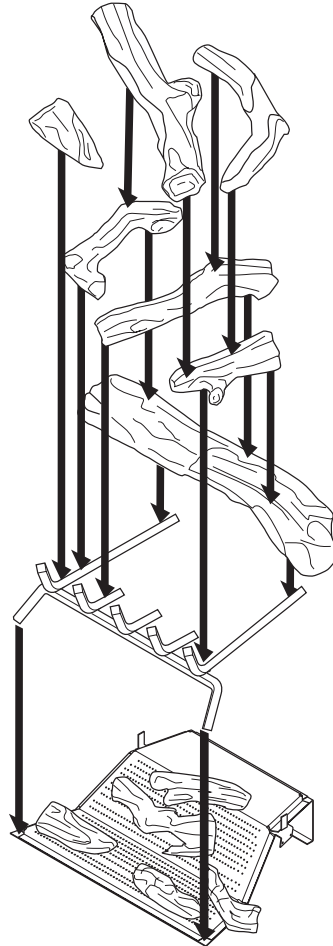


Figure 8 - Installing Logs and Grate

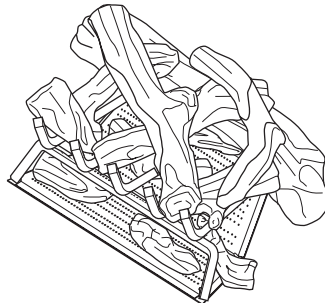


Figure 9 - Suggested Log Arrangement

OPERATION

FOR YOUR SAFETY READ BEFORE LIGHTING

⚠ WARNING: Keep flue open when operating unit.

⚠ WARNING: If you do not follow these instructions exactly, a fire or explosion may result causing property damage, personal injury or loss of life.

BEFORE LIGHTING smell all around the appliance area for gas. Be sure to smell next to the floor because some gas is heavier than air and will settle on the floor.

WHAT TO DO IF YOU SMELL GAS

- Do not try to light any appliance.
- Do not touch any electric switch; do not use any phone in your building.
- Immediately call your gas supplier from a neighbor's phone. Follow the gas supplier's instructions.
- If you cannot reach your gas supplier, call the fire department.

LIGHTING INSTRUCTIONS

1. STOP! Read the safety information, above.
2. Turn gas shutoff valve to OFF.

3. Wait five (5) minutes to clear out any gas. If you then smell gas STOP! Follow the safety information, column 1. If you don't smell gas, go on to the next step.
4. Light a match and lay it on top of pan material about 2" from the end of supply side of pan
5. Slowly turn gas shutoff valve ON until burner ignites. If burner doesn't ignite within 10 seconds with match burning, turn shutoff valve OFF and repeat steps 1 through 4.

GAS SHUTOFF VALVE OPERATION

Flame Adjustment

Adjust the flame ON/OFF by turning gas shutoff valve counterclockwise ↶ to open or clockwise ↷ to close, as necessary.

Shutting Off Appliance

Turn gas shutoff valve clockwise ↷ to the OFF position (see Figure 5, page 8) .

CURING LOGS

During the 2-3 hour appliance break-in period, you may detect an odor from the appliance as the various paints and compounds used in the manufacturing of this log set cure. This is a normal and temporary situation that is not cause for alarm. However, you may want to provide extra ventilation to the room during this time.

CLEANING AND MAINTENANCE

- Keep the area around the log set clean and clear of debris.
 - Occasionally, you may use a soft bristle brush to clean logs.
 - Once every year a qualified agency or certified chimney sweep should examine and clean the venting system of the fireplace.
- Periodically, at least once a year, visually check the burner flame. A correct flame will be bright yellow with orange streaks. See Figure 10. An incorrect flame will be dark orange. See figure 11. If your burner produces dark orange flames, turn the burner off and contact a service person or IHP for assistance.

Bright yellow burner flame with orange streaks



Figure 10 - Correct burner flame

Dark orange flames



Figure 11 - Incorrect burner flame

TROUBLESHOOTING



WARNING: Turn off log set and let cool before servicing. Only a qualified service person should service and repair log set.

Note: All troubleshooting items are listed in order of operation.

OBSERVED PROBLEM	POSSIBLE CAUSE	REMEDY
<p>Log set is smoking/sooting excessively</p> <p><i>(Note: It is natural and unavoidable for vented gas log sets to produce moderate levels of carbon (soot) where flames contact the logs. This is especially true with propane/LP gas.)</i></p>	<ol style="list-style-type: none"> 1. Poor fuel quality 2. Fireplace venting system not drafting properly 3. Excessive flame impingement or blockage 4. Improper fuel/air mixture 5. Excessive gas supply/pressure 	<ol style="list-style-type: none"> 1. Contact local natural or propane/LP gas company 2. Adjust damper wide open and/or have fireplace and venting professionally cleaned and checked 3. Separate the logs to allow more flame passage 4. Remove any foreign items from the flame pattern and/or check for proper orifice sizing 5. Preheat flue in very cold weather
<p>Burner is excessively noisy</p> <p><i>(Note: The movement and combustion of gas will create low, unavoidable levels of noise.)</i></p>	<ol style="list-style-type: none"> 1. Passage of air/gas across irregular surfaces 	<ol style="list-style-type: none"> 1. Relieve any tight bends or kinks in gas supply line
<p>Burner flame is too low or too high</p>	<ol style="list-style-type: none"> 1. Incorrect gas supply or pressure 2. Blocked burner orifice or burner manifold ports 3. Improper burner orifice size 	<ol style="list-style-type: none"> 1. Check for proper gas supply pressure 2. Free burner orifice and manifold ports of any burrs, paint or other blockage 3. Verify proper burner orifice sizing (see Figure 2, page 5)

TROUBLESHOOTING

Continued



WARNING: If you smell gas

- Shut off gas supply.
- Do not try to light any appliance.
- Do not touch any electrical switch; do not use any phone in your building.
- Immediately call your gas supplier from a neighbor's phone. Follow the gas supplier's instructions.
- If you cannot reach your gas supplier, call the fire department.

IMPORTANT: Operating log set where impurities in air exist may create odors. Cleaning supplies, paint, paint remover, cigarette smoke, cements and glues, new carpet or textiles, etc., create fumes. These fumes may mix with combustion air and create odors. These odors will disappear over time.

OBSERVED PROBLEM	POSSIBLE CAUSE	REMEDY
Log Set produces a clicking/ticking noise just after burner is lit or shut off	1. Metal expanding while heating or contracting while cooling	1. This is normal with most log sets. If noise is excessive, contact qualified service person
Log Set produces unwanted odors	1. Log Set burning vapors from paint, hair spray, glues, cleaners, chemicals, new carpet, etc. (See <i>IMPORTANT</i> statement above) 2. Gas leak. See Warning statement at top of page	1. Open flue to maximum. Stop using odor causing products while log set is running 2. Locate and correct all leaks (see <u>Checking Gas Connections</u> , page 7)
Gas odor even when control knob is in OFF position	1. Gas leak. See Warning statement at top of page 2. Control valve defective	1. Locate and correct all leaks (see <u>Checking Gas Connections</u> , page 7) 2. Replace control valve
Gas odor during combustion	1. Gas leak. See Warning statement at top of page	1. Locate and correct all leaks (see <u>Checking Gas Connections</u> , page 7)

ACCESSORIES

Purchase these accessories from your local dealer. If they can not supply these accessories call INNOVATIVE HEARTH PRODUCTS at 1-800-655-2008 for information. You can also write to the address listed on the back page of this manual.

PINE CONES - GA9650A

For all models. Use for additional decoration only. (3 pine cones per box).

SILICA SAND - GA9850A

For all models. Use for firebox decoration only.

LAVA ROCK - GA6067A

For all models. Use for firebox decoration only.

ASH BED MATERIAL (VERMICULITE) GA9750A

For all models. Use for firebox decoration only.

GLOWING EMBERS - GA9950A

For all models. Use for firebox decoration only.

REPLACEMENT PARTS

Note: Use only original replacement parts. This will protect your warranty coverage for parts replaced under warranty.

Contact authorized dealers of this product. If they can't supply original replacement part(s), call INNOVATIVE HEARTH PRODUCTS at 1-800-655-2008.

When calling, have ready:

- your name
- your address
- model and serial numbers of your appliance
- how appliance was malfunctioning
- purchase date

Usually, we will ask you to return the part to the factory.

TECHNICAL SERVICE

You may have further questions about installation, operation, or troubleshooting. If so, contact INNOVATIVE HEARTH PRODUCTS at 1-800-655-2008.

When calling please have your model and serial numbers of your appliance ready.

You can also visit our web site at www.IHP.US.com.

SERVICE HINTS

When Gas Pressure is Too Low

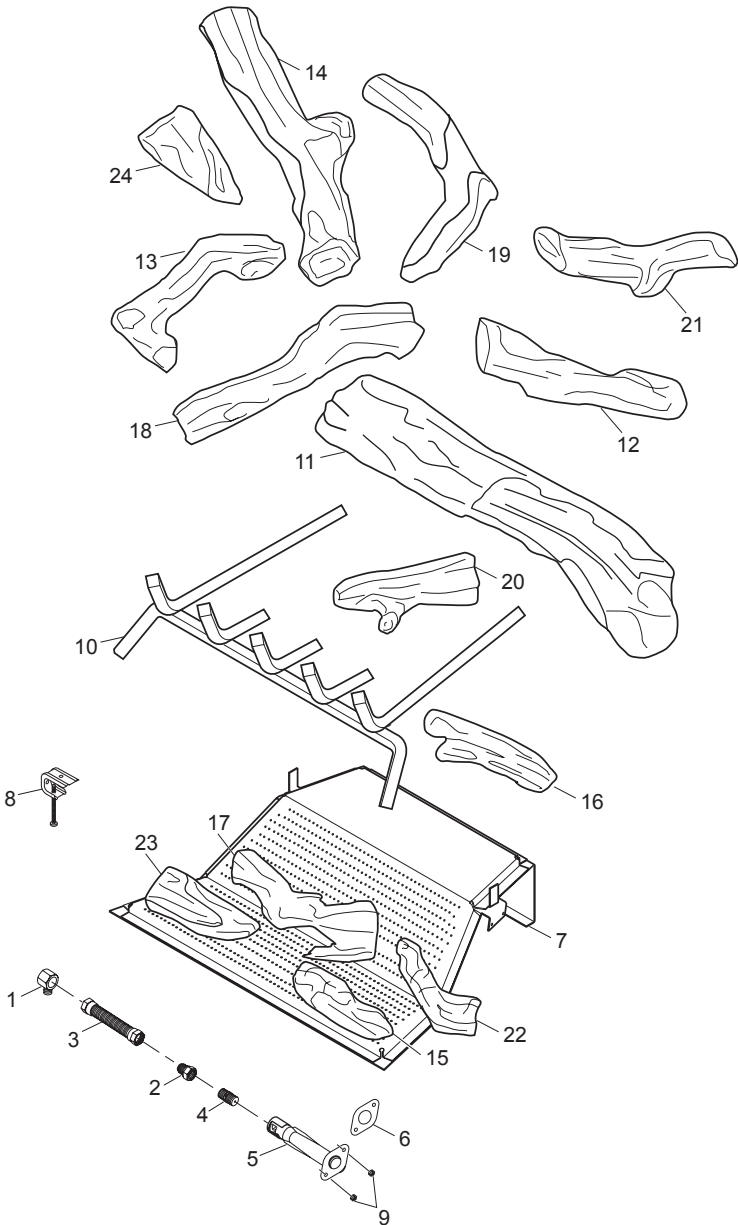
- pilot will not stay lit
- burners will have delayed ignition
- heater will not produce specified heat

- propane/LP gas supply may be low

You may feel your gas pressure is too low. If so, contact your local propane/LP or natural gas supplier

PARTS

MODELS PHK18, PHK24M AND PHK 30
(NUMBER AND STYLE OF LOGS VARY BY MODEL)



PARTS

This list contains replaceable parts used in your log set. When ordering parts, follow the instructions listed under Technical Service on page 12 of this manual.

KEY NO.	PART NO.	DESCRIPTION				QTY.
			PHK18	PHK24	PHK30	
1	901059-01	3/8 FLR x 1/2 FPT Elbow	•	•	•	1
2	901056-01	3/8 FLR x 3/8 FPT Adaptor	•	•	•	1
3	101628-01	Gas Line - 10' Flex	•	•	•	1
4	104506-27	Natural Gas Injector	•			1
	104506-28	Natural Gas Injector		•		1
	104506-29	Natural Gas Injector			•	1
5	14538	Venturi	•	•	•	1
6	14527	Venturi Gasket	•	•	•	1
7	115482-01	Burner Pan	•			1
	115482-02	Burner Pan		•		1
	115482-03	Burner Pan			•	1
8	901242-01	Damper Clamp Assembly	•	•	•	1
9	11209	Nut #10/24	•	•	•	2
10	114986-01	Log Grate	•			1
	114986-02	Log Grate		•		1
	114986-03	Log Grate			•	1
11	901481-01	Bottom Log	•			1
	109128-02	Bottom Log		•		1
	109128-01	Bottom Log			•	1
12	111827-08	Small Log			•	1
13	112489-01	Small Log		•	•	1
14	109399-01	Small Log	•	•	•	1
15	115421-02	Small Log	•	•	•	1
16	111960-01	Small Log		•	•	1
17	111929-01	Top Log	•	•	•	1
18	109130-01	Top Log		•	•	1
19	112488-01	Top Log	•	•	•	1
20	111962-01	Top Log	•	•	•	1
21	111930-01	Small Log			•	1
22	109405-01	Small Log	•	•	•	1
23	115421-01	Small Log		•	•	1
24	112363-05	Small Log	•	•		1

Innovative Hearth Products Superior™ Brand Gas Log Set Limited Three Year Warranty

THE WARRANTY

Innovative Hearth Products Limited Three Year Warranty ("IHP") warrants your Superior™ brand Gas Log Set ("Product") to be free from defects in materials and workmanship at the time of manufacture. The logs and grate carry the Limited Three Year Warranty. After installation, if covered components manufactured by IHP are found to be defective in materials or workmanship during the Limited Three Year Warranty period and while the Product remains at the site of the original installation, IHP will, at its option, repair or replace the covered components. If repair or replacement is not commercially practical, IHP will, at its option, refund the purchase price or wholesale price of the IHP product, whichever is applicable. IHP will also pay IHP prevailing labor rates, as determined in its sole discretion, incurred in repairing or replacing such components. THERE ARE EXCLUSIONS AND LIMITATIONS to this Limited Three Year Warranty as described herein.

COVERAGE COMMENCEMENT DATE

Warranty coverage begins on the date of installation. In the case of new home construction, warranty coverage begins on the date of first occupancy of the dwelling or six months after the sale of the Product by an independent IHP dealer, whichever occurs earlier. The warranty shall commence no later than 24 months following the date of product shipment from IHP, regardless of the installation or occupancy date.

EXCLUSIONS AND LIMITATIONS

This Limited Three Year Warranty applies only if the Product is installed in the United States or Canada and only if operated and maintained in accordance with the printed instructions accompanying the Product and in compliance with all applicable installation and building codes and good trade practices.

This warranty is non-transferable and extends to the original owner only. The Product must be purchased through a listed supplier of IHP and proof of purchase must be provided. The following do not carry the Limited Three Year Warranty but are warranted as follows:

- Gas components** – Repair or replacement for one year from the date of installation.
- Remote control** – Repair or replacement for one year from the date of installation.
- Labor coverage** – Prevailing IHP labor rates apply for the warranty period of the component.

Parts not otherwise listed carry a 90 day warranty from the date of installation.

Whenever practicable, IHP will provide replacement parts, if available, for a period of 10 years from the last date of manufacture of the product.

IHP will not be responsible for: (a) damages caused by normal wear and tear, accident, riot, fire, flood or acts of God; (b) damages caused by abuse, negligence, misuse, or unauthorized alteration or repair of the Product affecting its stability or performance (The Product must be subjected to normal use. The Product is designed to burn either natural or propane gas only. Burning conventional fuels such as wood, coal or any other solid fuel will cause damage to the Product, will produce excessive temperatures and could result in a fire hazard.); (c) damages caused by failing to provide proper maintenance and service in accordance with the instructions provided with the Product; (d) damages, repairs or inefficiency resulting from faulty installation or application of the Product.

This Limited Three Year Warranty covers only parts and labor as provided herein. In no case shall IHP be responsible for materials, components or construction which are not manufactured or supplied by IHP or for the labor necessary to install, repair or remove such materials, components or construction. Additional utility bills incurred due to any malfunction or defect in equipment are not covered by this warranty. All replacement or repair components will be shipped F.O.B. from the nearest stocking IHP factory.

LIMITATION ON LIABILITY

It is expressly agreed and understood that IHP's sole obligation and the purchaser's exclusive remedy under this warranty, under any other warranty, expressed or implied, or in contract, tort or otherwise, shall be limited to replacement, repair, or refund, as specified herein.

In no event shall IHP be liable for any incidental or consequential damages caused by defects in the Product, whether such damage occurs or is discovered before or after replacement or repair, and whether such damage is caused by IHP's negligence. IHP has not made and does not make any representation or warranty of fitness for a particular use or purpose, and there is no implied condition of fitness for a particular use or purpose.

IHP makes no expressed warranties except as stated in this Limited Three Year Warranty. The duration of any implied warranty is limited to the duration of this expressed warranty.

No one is authorized to change this Limited Three Year Warranty or to create for IHP any other obligation or liability in connection with the Product. Some states and provinces do not allow the exclusion or limitation of incidental or consequential damages, so the above limitations or exclusions may not apply to you. The provisions of this Limited Three Year Warranty are in addition to and not a modification of or subtraction from any statutory warranties and other rights and remedies provided by law.

INVESTIGATION OF CLAIMS AGAINST WARRANTY

IHP reserves the right to investigate any and all claims against this Limited Three Year Warranty and to decide, in its sole discretion, upon the method of settlement.

To receive the benefits and advantages described in this Limited Three Year Warranty, the appliance must be installed and repaired by a licensed contractor approved by IHP.

Contact IHP at the address provided herein to obtain a listing of approved dealers/distributors. **IHP shall in no event be responsible for any warranty work done by a contractor that is not approved without first obtaining IHP's prior written consent.**

HOW TO REGISTER A CLAIM AGAINST WARRANTY

In order for any claim under this warranty to be valid, you must contact the IHP dealer/distributor from which you purchased the product. If you cannot locate the dealer/distributor, then you must notify IHP in writing. IHP must be notified of the claimed defect in writing within 90 days of the date of failure. Notices should be directed to the IHP Warranty Department at 1508 Elm Hill Pike, Suite 108; Nashville, TN 37210 or visit our website at WWW.SUPERIORFIREPLACES.US.COM.

WARRANTY

KEEP THIS WARRANTY

Model (located on product or identification tag) _____

Serial No. (located on product or identification tag) _____

Date Purchased _____

Keep receipt for warranty verification.



P126903-01



1508 Elm Hill Pike, Suite 108
Nashville, TN 37210
1-800-655-2008
www.IHP.US.com

126903-01
Rev. A
02/14