

CHIMNEY CLASSICS - OCTAGONAL installation instructions

CONTENTS: (Includes 1 extra set of fasteners)

- (1) Chimney Pot w/ detached Rain Cap/Spark Arrestor
- (9) Screws for securing Rain Cap/Spark Arrestor
- (9) Slotted Mounting Brackets
- (9) Nylon Lock Nuts
- (9) Carriage Bolts
- (9) Washers
- (9) 2" Square Vinyl Flashing Gaskets

You must check with your local building code agency before you begin installation to ensure compliance with local codes, including the need for permits & follow-up inspections.

Step 1

- Attach rain cap/spark arrestor to chimney pot using all (8) screws as illustrated. (Note: on some models, the rain cap/spark arrestor comes pre-installed.)

Step 2

- Attach all (8) mounting brackets to chimney pot base w/ carriage bolts, washers, & lock nuts. (See step 3 for tightening & leveling instructions)

NOTE:

- The mounting surface should be in good condition before installation begins.
- The mounting brackets are designed to allow for drainage. Mount chimney pot min. 1/2" from surface. DO NOT add grout or sealant around base of chimney pot.

Step 3

- Position chimney pot over vent, make sure pot is centered.
- Level chimney pot by adjusting brackets as necessary.
- When chimney pot is level, tighten nuts to secure brackets in place.
- Mark bracket hole locations on chimney top.
- Remove chimney pot & drill holes in marked locations.
- Set flashing gaskets over each drilled hole w/ vinyl side UP.
- Set chimney pot in place w/ brackets on gaskets.
- Anchor pot to chimney top w/ correct fasteners (see attached list)
 - Fasteners will puncture vinyl flashing gaskets.
- Tighten each fastener securely in place.
- Caulk all fasteners connecting chimney pot to top of chimney.
 - Periodic re-caulking may be needed to prevent leaks from developing.

Cut-away view at chimney top

The chase cover must have structural support under it to provide anchor points for the chimney pot. We recommend a 5/8" non-combustible substrate such as cement board or equal.

Chase top

Tested to
ANSI Z21.88b-2008

Framed chimney
w/ veneer shown



CAUTION
Sharp Edges

- Wear protective gloves, head gear, and safety glasses during installation.

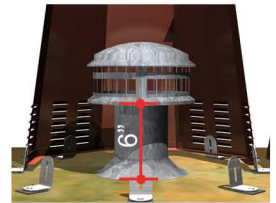
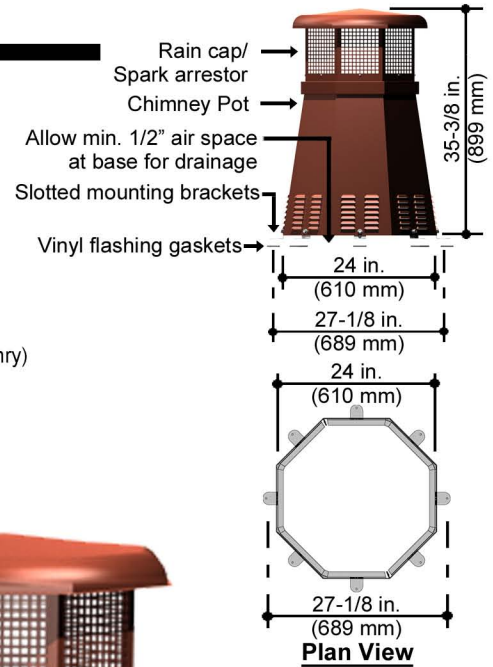


WARNING

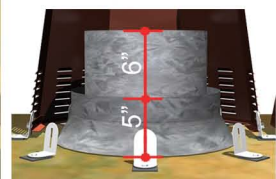
Fire Risk

- Intended for use with a metal (or masonry) chase top.

Use of combustible materials will cause a fire hazard.



FOR B-VENT & DIRECT VENT
Vent must extend 6" above chase top



FOR ZERO CLEARANCE SYSTEMS:
Inner pipe must extend 6" above outer pipe



MASONRY CHIMNEY

CHIMNEY TOP	FASTENER
MASONRY	1/4" Stainless steel concrete wedge anchor or metal hit anchor
SHEET METAL	1/4" Stainless steel toggle bolt

Anchors to resist a withdrawal force of 580# max.



Manufactured by European Copper 7310 S. Yale Ave., Tulsa, Oklahoma 74136

Use all safety precautions when installing chimney pots (i.e. Scaffolding, power lifts, harness, etc.) Ladders only are not recommended.

CHIMNEY CLASSICS - ROUND

installation instructions

CONTENTS:

 (Includes 1 extra set of fasteners)

- (1) Chimney Pot w/ detached Rain Cap/Spark Arrestor
- (9) Screws for securing Rain Cap/Spark Arrestor
- (9) Slotted Mounting Brackets
- (9) Nylon Lock Nuts
- (9) Carriage Bolts
- (9) Washers
- (9) 2" Square Vinyl Flashing Gaskets

You must check with your local building code agency before you begin installation to ensure compliance with local codes, including the need for permits & follow-up inspections.

Step 1

- Attach rain cap/spark arrestor to chimney pot using all (8) screws as illustrated. (Note: on some models, the rain cap/spark arrestor comes pre-installed.)

Step 2

- Attach all (8) mounting brackets to chimney pot base w/ carriage bolts, washers, & lock nuts. (See step 3 for tightening & leveling instructions)

NOTE:

- The mounting surface should be in good condition before installation begins.
- The mounting brackets are designed to allow for drainage. Mount chimney pot min. 1/2" from surface. **DO NOT** add grout or sealant around base of chimney pot.

Step 3

- Position chimney pot over vent, make sure pot is centered.
- Level chimney pot by adjusting brackets as necessary.
- When chimney pot is level, tighten nuts to secure brackets in place.
- Mark bracket hole locations on chimney top.
- Remove chimney pot & drill holes in marked locations.
- Set flashing gaskets over each drilled hole w/ vinyl side UP.
- Set chimney pot in place w/ brackets on gaskets.
- Anchor pot to chimney top w/ correct fasteners (see attached list)
- Fasteners will puncture vinyl flashing gaskets.
- Tighten each fastener securely in place.
- Caulk all fasteners connecting chimney pot to top of chimney.
- Periodic re-caulking may be needed to prevent leaks from developing.

Cut-away view at chimney top

The chase cover must have structural support under it to provide anchor points for the chimney pot. We recommend a 5/8" non-combustible substrate such as cement board or equal.

Chase top

Tested to
ANSI Z21.88b-2008

Framed chimney
w/ veneer shown



CAUTION

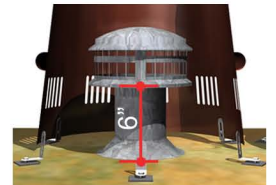
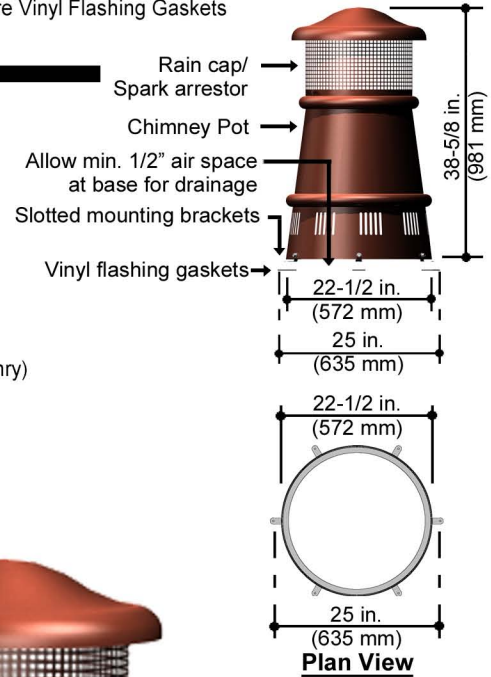
Sharp Edges

- Wear protective gloves, head gear, and safety glasses during installation.

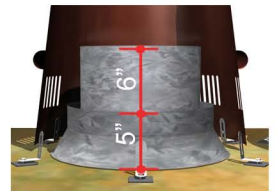
WARNING

Fire Risk

- Intended for use with a metal (or masonry) chase top.
- Use of combustible materials will cause a fire hazard.



FOR B-VENT & DIRECT VENT
Vent must extend 6" above chase top



FOR ZERO CLEARANCE SYSTEMS:
Inner pipe must extend 6" above outer pipe



MASONRY CHIMNEY



ICC EVALUATION
SERVICE
ESR-2287

RECOMMENDED FASTENERS

CHIMNEY TOP	FASTENER
MASONRY	1/4" Stainless steel concrete wedge anchor or metal hit anchor
SHEET METAL	1/4" Stainless steel toggle bolt

Anchors to resist a withdrawal force of 580# max.

Tested &
Listed By



OMNI-Test Laboratories, Inc.
Report #400-P-03-5

Portland
Oregon USA



Manufactured by European Copper 7310 S. Yale Ave., Tulsa, Oklahoma 74136

Use all safety precautions when installing chimney pots (i.e. Scaffolding, power lifts, harness, etc.) Ladders only are not recommended.

CHIMNEY CLASSICS - SQUARE installation instructions

You must check with your local building code agency before you begin installation to ensure compliance with local codes, including the need for permits & follow-up inspections.

CONTENTS:

 (Includes 1 extra set of fasteners)

- (1) Chimney Pot w/ detached Rain Cap/Spark Arrestor
- (9) Screws for securing Rain Cap/Spark Arrestor
- (9) Slotted Mounting Brackets
- (9) Nylon Lock Nuts
- (9) Carriage Bolts
- (9) Washers
- (9) 2" Square Vinyl Flashing Gaskets

Step 1

- Attach rain cap/spark arrestor to chimney pot using all (8) screws as illustrated. (Note: on some models, the rain cap/spark arrestor comes pre-installed.)

Step 2

- Attach all (8) mounting brackets to chimney pot base w/ carriage bolts, washers, & lock nuts. (See step 3 for tightening & leveling instructions)

NOTE:

- The mounting surface should be in good condition before installation begins.
- The mounting brackets are designed to allow for drainage. Mount chimney pot min. 1/2" from surface. DO NOT add grout or sealant around base of chimney pot.

Step 3

- Position chimney pot over vent, make sure pot is centered.
- Level chimney pot by adjusting brackets as necessary.
- When chimney pot is level, tighten nuts to secure brackets in place.
- Mark bracket hole locations on chimney top.
- Remove chimney pot & drill holes in marked locations.
- Set flashing gaskets over each drilled hole w/ vinyl side UP.
- Set chimney pot in place w/ brackets on gaskets.
- Anchor pot to chimney top w/ correct fasteners (see attached list)
- Fasteners will puncture vinyl flashing gaskets.
- Tighten each fastener securely in place.
- Caulk all fasteners connecting chimney pot to top of chimney.
- Periodic re-caulking may be needed to prevent leaks from developing.

Cut-away view at chimney top

The chase cover must have structural support under it to provide anchor points for the chimney pot. We recommend a 5/8" non-combustible substrate such as cement board or equal.

Chase top

Tested to
ANSI Z21.88b-2008

Framed chimney
w/ veneer shown

CAUTION

Sharp Edges

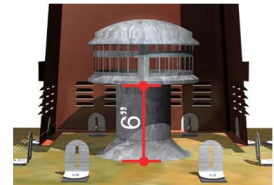
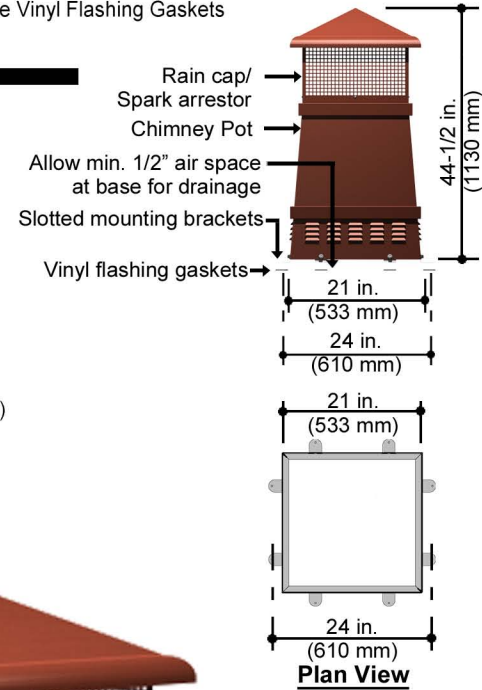
- Wear protective gloves, head gear, and safety glasses during installation.

WARNING

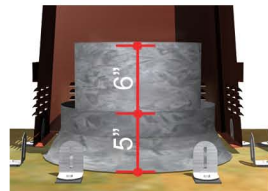
Fire Risk

- Intended for use with a metal (or masonry) chase top.

Use of combustible materials will cause a fire hazard.



FOR B-VENT & DIRECT VENT
Vent must extend 6" above chase top



FOR ZERO CLEARANCE SYSTEMS:
Inner pipe must extend 6" above outer pipe



MASONRY CHIMNEY

CHIMNEY TOP	FASTENER
MASONRY	1/4" Stainless steel concrete wedge anchor or metal hit anchor
SHEET METAL	1/4" Stainless steel toggle bolt

Anchors to resist a withdrawal force of 580# max.

Tested & Listed By

OMNI-Test Laboratories, Inc.
Report #400-P-03-5

Portland Oregon USA



Manufactured by European Copper 7310 S. Yale Ave., Tulsa, Oklahoma 74136

Use all safety precautions when installing chimney pots (i.e. Scaffolding, power lifts, harness, etc.) Ladders only are not recommended.