

MODERN FLAMES

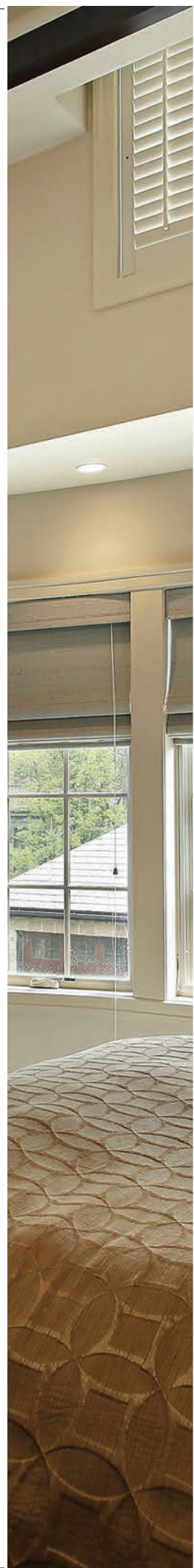


HOME FIRE
SERIES
BUILT-IN/FLUSH
MOUNT ELECTRIC
FIREPLACES

HF36CBI



HF36CB1



STANDARD FEATURES

- Low Energy LED Flame Technology
- Flame Operates with or without heat
- 120 Volt - 1500 watt/ 5000 BTU Heater
- Deeper firebox for 3D burner and flame appearance
- Designed to match standard gas fireplace sizes
- Customizable magnetized side panel options
- Customizable burners to alter the look of the fireplace from contemporary to traditional
- Hard wire or cord option for ease of installation
- Self-trimming black glass front
- High tech touch screen and remote controls

BURNERS (Must pick one)



Large Crystal Accents



Juniper Log Set

SIDE PANELS (Must pick one)



Red Herringbone Panels



Red Straight Panels



Black Glass Panels

CABINETS (Optional)



Briarwood Cabinet



Neptune Cabinet

MODERN  FLAMES

HOME FIRE FIREPLACE

HF36CBI

The Home Fire 36" flush mount electric fireplace has the versatility of a contemporary glass or traditional authentic LED log set that look extremely realistic whether it is on or off. This handsomely styled electric fireplace will make you proud to show friends and is available with an optional choice of 2 matchless real wood cabinets.





MODERN FLAMES

HOME FIRE FIREPLACE

HF42CBI
HF60CBI

STANDARD FEATURES

- Low Energy LED Flame Technology
- Flame Operates with or without heat
- 120 Volt - 1500 watt/ 5000 BTU Heater
- Deeper firebox for 3D burner and flame appearance
- Designed to match standard gas fireplace sizes
- Customizable magnetized side panel options
- Customizable burners to alter the look of the fireplace from contemporary to traditional
- Hard wire or cord option for ease of installation
- Self-trimming black glass front
- High tech touch screen and remote controls

BURNERS (Must pick one)



Large Crystal Accents



Juniper Log Set

SIDE PANELS (Must pick one)



Red Herringbone Panels



Red Straight Panels



Black Glass Panels

The larger sizes have exceptional viewing areas making these models one of a kind in the marketplace. The versatility of a single model can tailor to the room décor by a contemporary glass or traditional log appearance. The design of these models are built to gas fireplace specifications and provide a perfect substitute for such applications while providing supplemental heat up to 450 square feet.

3 DIFFERENT SIZES



36"



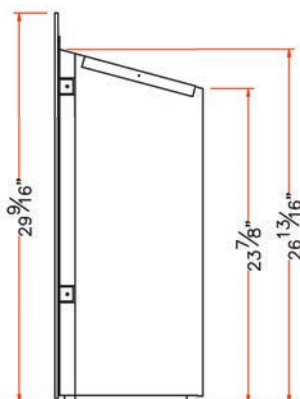
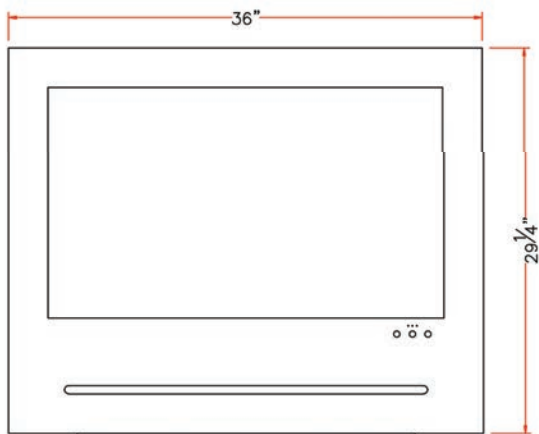
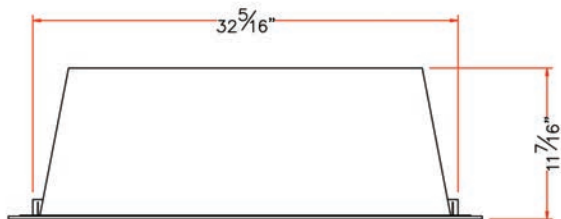
42"



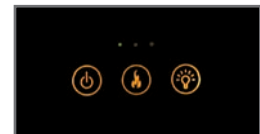
60"

MODEL #	VOLTS	WATTS	BTU'S	VIEWING AREA	OVERALL DIMENSIONS
HF36CBI	AC 120V / 60Hz	1,520	5,000	32 5/16"L x 26 13/16" H	36"L x 12"W x 29 1/4"H
HF42CBI	AC 120V / 60Hz	1,530	5,000	38 5/16"L x 26 13/16"H	42"L x 12"W x 29 1/4"H
HF60CBI	AC 120V / 60Hz	1,570	5,000	56 5/16"L x 26 13/16"H	60"L x 12"W x 29 1/4"H

TECHNICAL SPECIFICATIONS	
VOLTS	AC 120V / 60Hz
AMPS	13 MAX
WATTS	1530 - 1570
BTU's	2,500 (LOW) 5,000 (HIGH)
CIRCUIT	DEDICATED 15 AMP
TERMINATION	PLUG-IN ONLY
LAMPS	LED



LED DIGITAL READOUT



REMOTE CONTROL



MODEL SHOWN - HF36CBI