



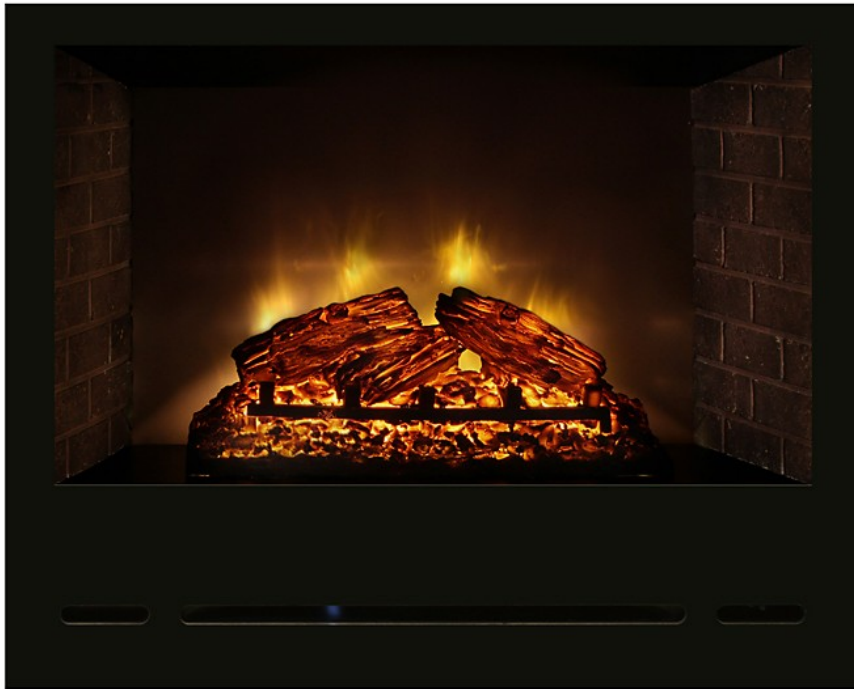
Home Fire CBI Electric Series

HF36CBI—HF42CBI—HF60CBI



INSTALLATION/SERVICE INSTRUCTIONS
FOR USE IN UNITED STATES AND CANADA

MODERN FLAMES



Read these instructions completely before beginning installation. Failure to follow them could cause a heater malfunction resulting in serious injury and/or property damage.

WARNING: All electric heaters have hot and arcing or sparking parts inside. Do not use it in areas where gasoline, paint or flammable liquids are or are stored.

This fireplace meets the construction and safety standards of H.U.D. for application in manufactured homes when installed according to these instructions.

**INSTALLER: Leave this manual with the appliance.
CONSUMER: Retain this manual for future reference.**

USER INSTRUCTIONS

TABLE OF CONTENTS

| | | | |
|-----------------------------|---|---|----|
| Important Instructions..... | 3 | Operation | 9 |
| Power Data | 4 | Service Parts..... | 10 |
| Product Dimensions | 4 | Frequently Asked Questions | 12 |
| Box Contents..... | 5 | Troubleshooting | 12 |
| Unpacking and Testing..... | 6 | Cleaning and Maintenance Instructions | 14 |
| Locating Fireplace..... | 6 | Wiring Diagram | 14 |
| Installation | 7 | | |

IMPORTANT INSTRUCTIONS

WARNING: Improper installation, adjustment, alteration, service or maintenance can cause injury or property damage. Refer to this manual. For assistance or additional information, consult a qualified installer.

CAUTION: Do not expose the heater to the elements (such as rain, etc).

Do not place clothing or other flammable material on or near firebox. Never place any objects on the fireplace.

Carefully supervise young children when they are in the room with fireplace.

Fireplace becomes very hot when running. Keep children and adults away from hot surfaces to avoid burns or clothing ignition. Fireplace will remain hot for a time after shutdown. Allow surfaces to cool before touching.



CAUTION: In order to avoid overheating, do not cover the heater.

Do not install fireplace directly on carpet or similar surface which may restrict air circulation beneath unit.

When using electrical heaters, basic precautions should always be followed to reduce the risk of fire, electric shock and injury to persons, including the following:

1. Read all instructions before installing or using this heater.
2. This heater is hot when in use. To avoid burns, do not let bare skin touch hot surfaces. Keep combustible materials, such as furniture, pillows, bedding, papers, clothes, and curtains at least 3 feet (0.9m) from the front of the heater and keep them away from the sides and rear.
3. Extreme caution is necessary when any heater is used by or near children or invalids and whenever the heater is left operating and unattended.
4. Do not operate any heater after it malfunctions. Disconnect power at service panel and have heater inspected by a reputable electrician before using.
5. Do not use outdoors.
6. To disconnect heater, turn controls to off and turn off power to heater circuit at main disconnect panel.
7. Do not insert or allow foreign objects to enter any ventilation or exhaust opening as this may cause an electric shock or fire, or damage the heater.
8. To prevent a possible fire, do not block air intakes or exhaust in any manner.
9. A heater has hot and arcing or sparking parts inside. Do not use it in areas where gasoline, paint or flammable vapors or liquids are used or stored.
10. Use this heater only as described in this manual. Any other use not recommended by the manufacturer may cause fire, electric shock or injury to persons.
11. This heater includes a visual alarm to warn that parts of the heater are getting excessively hot. If the alarm illuminates, immediately turn

IMPORTANT INSTRUCTIONS

the heater off and inspect for any objects on or adjacent to the heater that may have blocked the airflow or otherwise caused high temperatures to have occurred. **DO NOT OPERATE THE HEATER WITH THE ALARM ILLUMINATING.**

12. Do not operate any heater with a damaged cord or plug or after the heater malfunctions, has been dropped or damaged in any manner. Return heater to authorized service facility for examination, electrical or mechanical adjustment, or repair.

13. This heater is not intended for use in bathrooms, laundry areas and similar indoor

locations. Never locate heater where it may fall into a bathtub or other water container.

14. Do not run cord under carpeting. Do not cover cord with throw rugs, runners, or the like. Arrange cord away from traffic area and where it will not be tripped over.

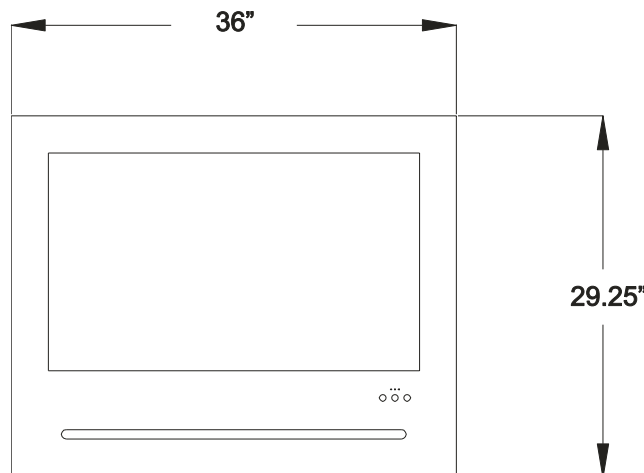
15. Avoid the use of an extension cord because the extension cord may overheat and cause a risk of fire. However, if you have to use an extension cord, the cord shall be No. 12 AWG minimum size and rated not less than 1500 watts.

16. SAVE THESE INSTRUCTIONS

POWER DATA

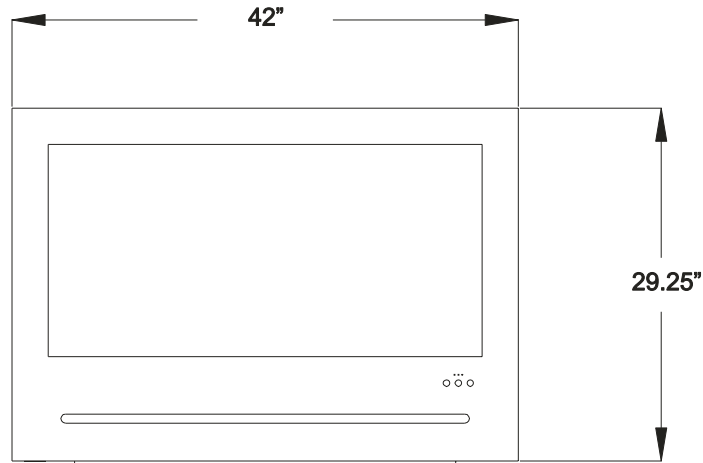
| | HF-60 | HF-42 | HF-36 |
|------------------|------------------------------------|------------------------------------|------------------------------------|
| Volts/HZ Amps | AC 120V/60Hz 15 Amps | AC 120V/60Hz 15 Amps | AC 120V/60Hz 15 Amps |
| Heater | AC 120V/60Hz 1500W | AC 120V/60Hz 1500W | AC 120V/60Hz 1500W |
| Lamps | LED | LED | LED |
| Rotor motor | AC 120V/60Hz 4W CCW 15/18 r/min | AC 120V/60Hz 4W CCW 15/18 r/min | AC 120V/60Hz 4W CCW 15/18 r/min |
| Shipping Size | 61 1/2" x 12 3/8" x 31" | 43 1/2" x 12 3/8" x 31" | 37 1/2" x 12 3/8" x 31" |

PRODUCT DIMENSIONS

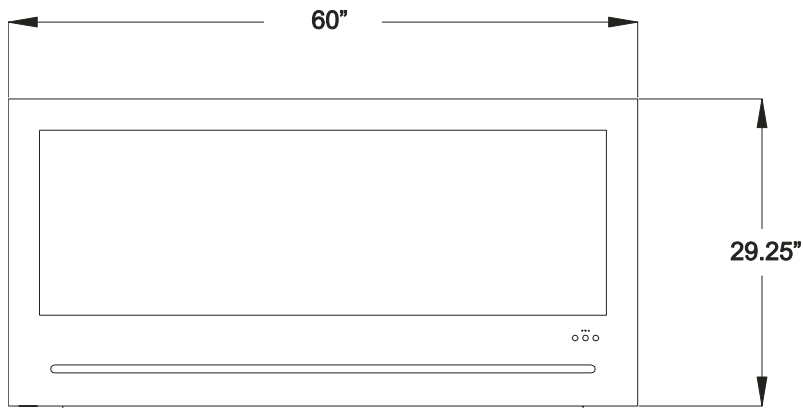


Home Fire 36
36" W x 28 1/2" H x 11 1/2" D

USER INSTRUCTIONS

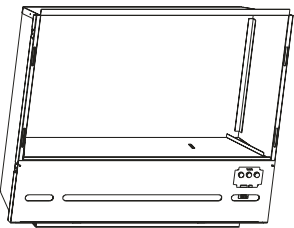


Home Fire 42
42" W x 28 1/2" H x 11 1/2" D



Home Fire 60
60" W x 28 1/2" H x 11 1/2" D

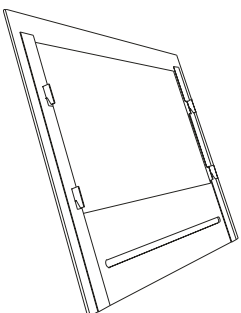
BOX CONTENTS



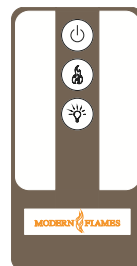
1 Fire Unit



4 Large Washer Head
Screws



1 Glass Face

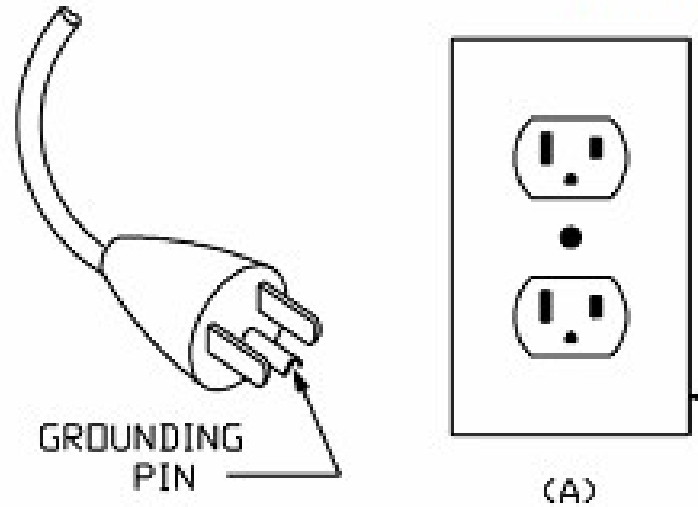


1 Remote

USER INSTRUCTIONS

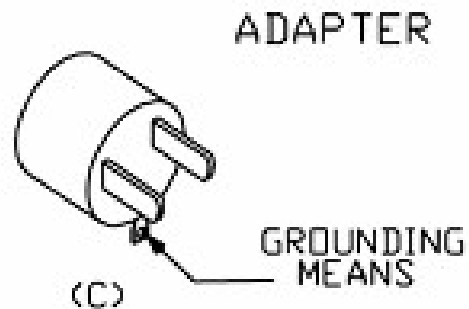
UNPACKING AND TESTING

This heater is for use on 120 volts. The cord has a plug as shown at A. An adapter as shown at C is available for connecting three-blade grounding-type plugs to two-slot receptacles. The green grounding lug extending from the adapter must be connected to a permanent ground such as a properly grounded outlet box. The adapter should not be used if a three-slot grounded receptacle is available.



WARNING: Do not operate the unit if it is damaged or has malfunctioned. If you suspect the unit is damaged, return the unit to an authorized service facility for examination, electrical or mechanical adjustment or repair.

CAUTION: The unit's power supply cord must be connected to a properly grounded and protected 120-volt outlet. Always use ground fault protection where required by the electrical code. Never use an extension cord with this product.



LOCATING FIREPLACE

CAUTION: Do not locate in a moist room such as a bathroom or laundry room.

CAUTION: Wear gloves and safety glasses for protection during installation and maintenance.

This electric fireplace can be installed framed in to a wall. Install at least 1 foot from the floor and 3 feet from any combustibles such as carpet and drapes.

INSTALLATION

INSTALLATION

WARNING - RISK OF FIRE!

The power cord must not be pinched or against a sharp edge. Secure cord to avoid tripping or snagging to reduce the risk of fire, electric shock or personal injury.

Do not run cord under carpeting. Do not cover cord with throw rugs, runners or the like. Arrange cord away from traffic areas and where it will not be tripped over.

WARNING - RISK OF FIRE!

To prevent a possible fire, do not block air intake or exhaust in any manner. Do not use on soft surfaces where openings may become blocked.

WARNING - RISK OF FIRE!

Do not blow or place insulation against the firebox.

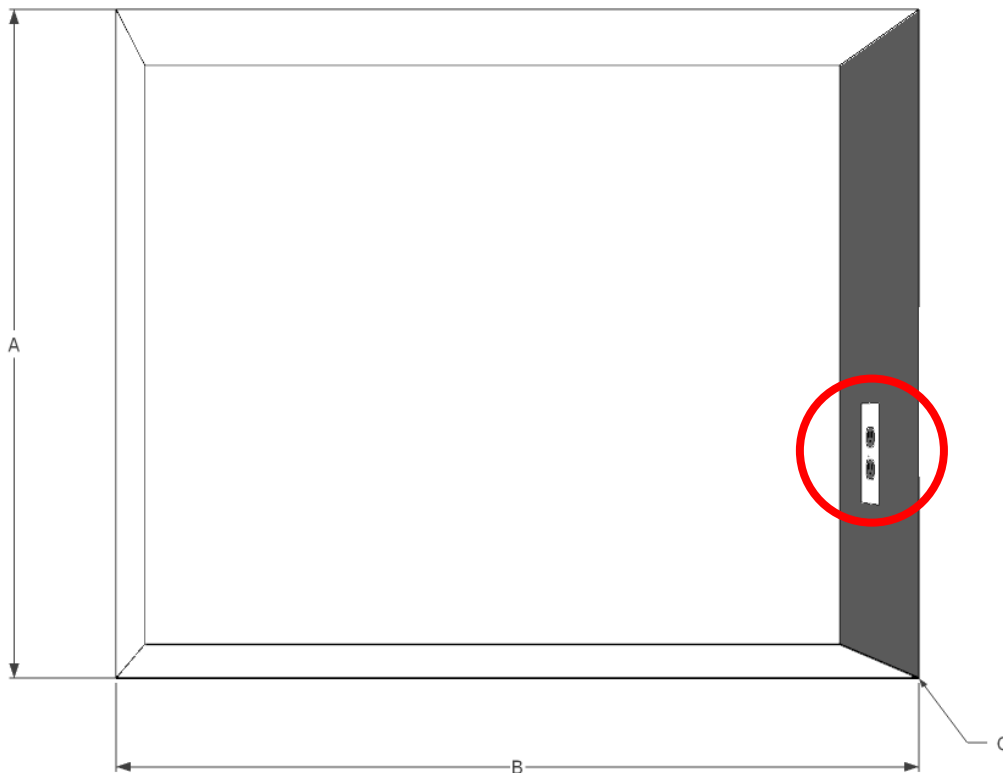
WARNING: If the information in these instructions is not followed exactly, a fire or explosion may result causing property damage, personal injury or death.

To reduce the risk of fire do not store or use gasoline or other flammable vapors in the vicinity of this or any other heater.

Installing fireplace

Select a suitable location that is not susceptible to moisture and is a safe distance from drapes, furniture and high traffic areas. A qualified electrician should add an electrical outlet per local building codes. See shaded area on recessed installation diagram for proper outlet placement. **Fireplace must be installed to a plumb vertical wall for correct operation of touch controls.**

Note: Follow all national and local electrical codes. This fireplace can be framed in to the wall.

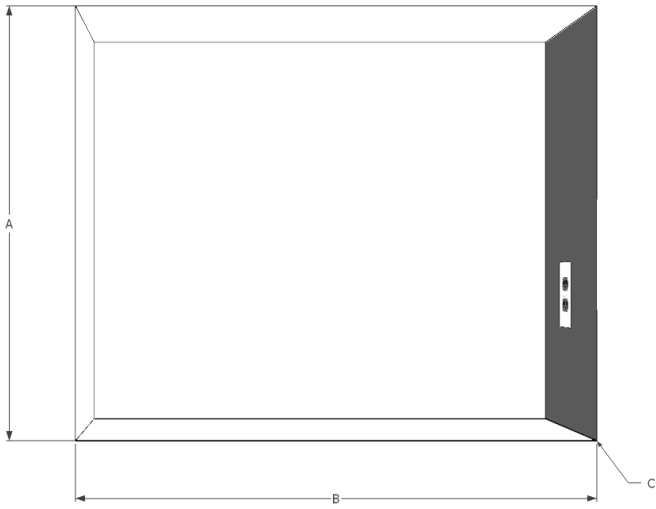


Electrician should add a 110v outlet to the rear portion of the right side of the framed opening (see the shaded panel.)

INSTALLATION

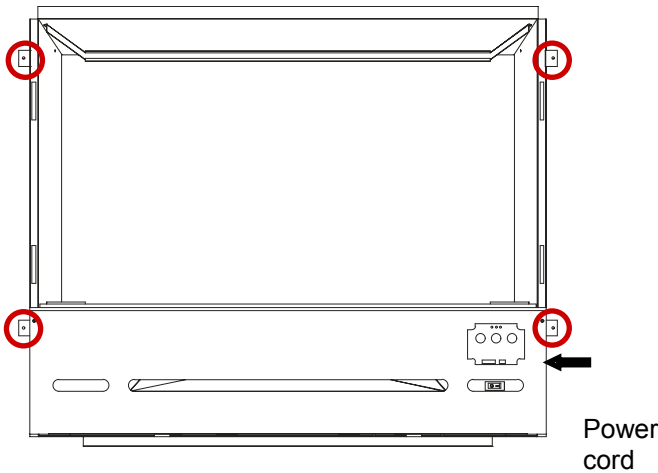
Recessed Installation:

1. Prepare frame opening according to chart. Frame opening is slightly larger than the fire unit.



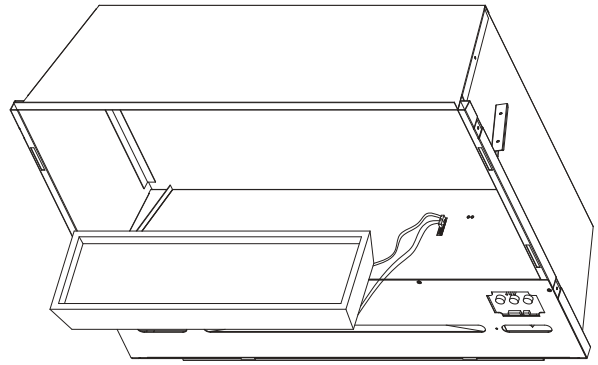
| | A | B | C |
|------|-----------|-------|-------|
| HF36 | 27 1/4" H | 33" W | 12" D |
| HF42 | 27 1/4" H | 39" W | 12" D |
| HF60 | 27 1/4" H | 57" W | 12" D |

2. Fold out the small tabs on the side of the fire unit.

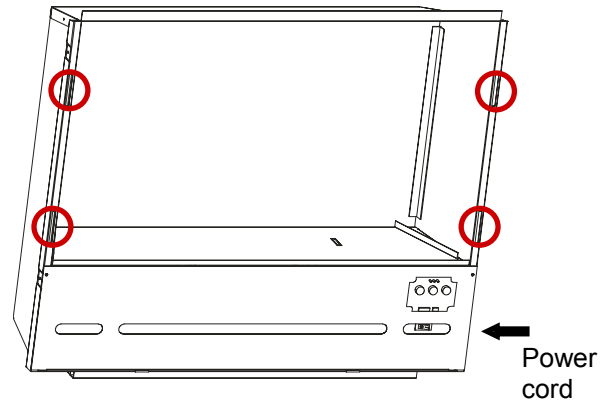
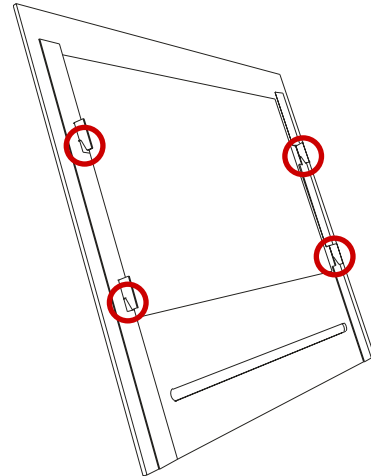


3. Secure fire unit to the finished framed opening with the provided large washer head screws. Make certain that at least 4 of the screws are driven in to a solid backing. Fireplace will stand proud of the finished wall opening by 3/8 of an inch. This is a semi-permanent installation. Remove screws to relocate.

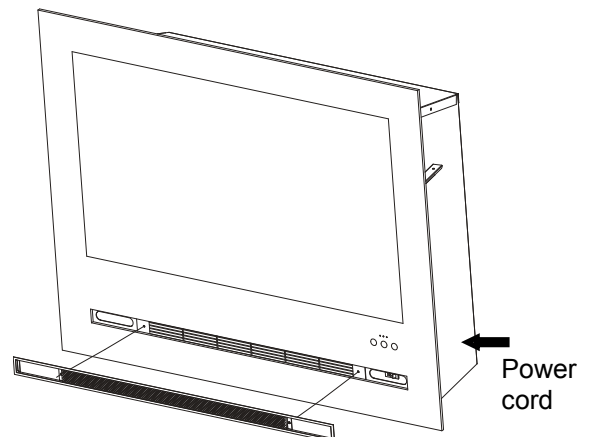
4. Connect the fire feature to the inside of the fire unit.



5. Hang the glass face on the fire unit. Make certain that the hooks from the on the backside of the glass face are secured in all 4 slots on the fire unit.



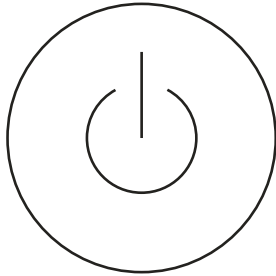
6. Install the grid in to the glass face.



OPERATION

OPERATION

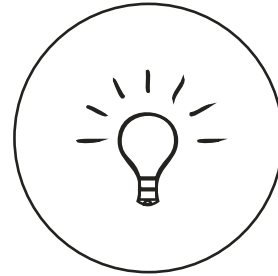
On the bottom of the unit is a main power switch. Switch this on to begin using the fireplace. Directly below the flame, on the right hand side are 3 small LED status lights and 3 buttons.



Power

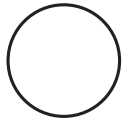
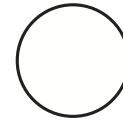
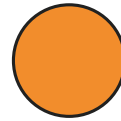


Heat

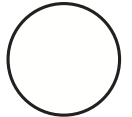
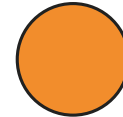
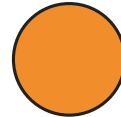


Backlight

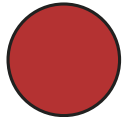
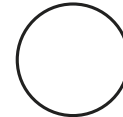
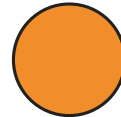
When all indicator lights are off, pressing on any button will only show the status. Once the indicator lights are on you can press any button. Press down on the power button to turn the machine on. This will be indicated by 1 orange LED light. The Heat button can be pressed multiple times and will turn on low, high and off in that order. The Backlight button turns on high, medium, low and off in that order.



When the switch turns on, this orange pilot lamp is always on. It shows the fire is energized.

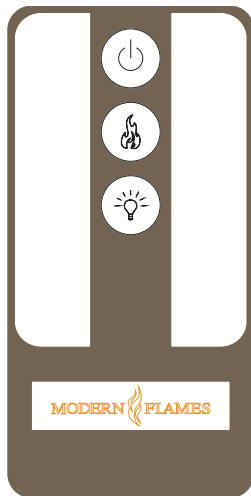


The status light above shows that the power is on and the heater is on low



The status light above shows that the power is on and the heater is on high






The included remote functions in the same manner as the buttons on the main unit.



The HF CBI has a thermal safety cut-out incorporated in the heater to prevent damage due to overheating. This can happen if the heat outlet or air intake is restricted in anyway. There is an indicator lamp in the fire picture to alert the user to the alarm this situation. If you see the indicator lamp the heater has gone over temperature. Allow the unit to cool, check the heater for obstruction and reset the alarm lamp by turning the main switch to the off position and then back to on position to reset the safety alarm lamp.

MODERN FLAMES

HF CBI SERVICE PARTS

| ITEM | PHOTO | COMMENTS |
|-----------|---|---|
| MFPCB1 |  | PRINTED CIRCUIT BOARD CONTROLS LOW VOLTAGE AND HIGH VOLTAGE FUNCTIONS |
| MFTC1 |  | LCD TOUCH CONTROL |
| MFRR1 |  | REMOTE CONTROL IR RECEIVER |
| MF12VT1 |  | TRANSFORMER |
| MFHF12015 |  | HEATER FAN 120 V 1500 WATTS |

MAINTENANCE

| | | |
|-------------|---|------------------------------|
| MFPHF HF |  | HEATER 120 V 1500 WATTS |
| MFSM120 |  | SPINDLE MOTOR 120 V 50-60 HZ |
| MFPHF36 LED |  | LED LIGHT STRING HF36 |
| MFPHF42 LED | | LED LIGHT STRING HF42 |
| MFPHF60 LED | | LED LIGHT STRING HF60 |
| MF PS1 |  | POWER SWITCH |
| MFR1 |  | REMOTE CONTROL |
| HFGLS36 |  | GLASS FACE HF36 |
| HFGLS42 | | GLASS FACE HF42 |
| HFGLS60 | | GLASS FACE HF60 |

FREQUENTLY ASKED QUESTIONS

Q. How do you program the remote control?

A. The remote comes pre-programmed. No programming is necessary.

Q. What distance can the remote be used from the fireplace?

A. Optimal distance for the remote control is within 10 yards.

Q. Can you turn on the fireplace via the touch screen and off via the remote (or vice versa)?

A. Yes.

Q. My touch screen will not operate properly.

A. The fireplace must be installed to a plumb vertical wall for correct operation of touch controls. Remove power source for 30 seconds to allow unit to reset. Attach glass face, turn on power and wait for indicator lights to turn off.

Q. How long will the LED lights last?

A. LED Lamps have a life span of up to 20 years.

Q. Can the sensitivity of the touch screen be adjusted?

A. Yes, but only by the factory. Not just any technician will be able to adjust the touch screen sensitivity.

Q. Can the fireplace be installed outside?

A. No. Please review the entire safety chapter before installing this fireplace.

Q. Does the fireplace need to be on a dedicated 15 amp circuit?

A. Yes.

Q. What thickness of sheetrock should be used for the recessed installation?

A. 1/2" or 5/8".

Q. How often do the batteries in the remote need to be replaced?

A. Annually, possibly more with heavy use.

Q. Is there a remote receiver in the fireplace that requires batteries?

A. No, only the actual remote requires batteries. The rest of the fireplace runs entirely off of the main power supply.

TROUBLESHOOTING

| PROBLEM | POSSIBLE CAUSE | CORRECTIVE ACTION |
|--------------------------------------|---------------------------------------|---|
| Heater does not provide heat when on | A. Wiring is loose | A. Disconnect unit from power source and inspect for loose connections |
| | B. Thermal snap disc has been tripped | B. Turn unit off and unplug unit for 5 minutes. Plug back in and turn unit on. If plug cannot be reached, reset breaker and turn unit back on |
| | C. Heater core is defective | C. Replace Heater Core |

MAINTENANCE

| PROBLEM | POSSIBLE CAUSE | CORRECTIVE ACTION |
|--|---|---|
| Nothing comes on (touch screen, etc.) | A. Fireplace is not plugged in to an electrical outlet | A. Check plug |
| | B. Breaker tripped or outlet has no power | B. Reset breaker, test outlet for power |
| | C. Power Switch is not in the "On" position (bottom right) | C. Turn main power switch to the "On" position (solid white line is flush with the fireplace) |
| | D. Internal component is frozen and needs to be reset | D. Turn unit off and unplug for 5 minutes. Plug back in and turn unit on. If plug cannot be reached, reset breaker and turn unit back on |
| | E. Defective component | E. Qualified service technician needs to replace motherboard, transformer or LCD touch control |
| Touch Screen Comes on - then nothing | A. Fireplace is not plum to the wall (there is space between the touch screen and fascia) | A. Reposition the fireplace in the installation so the glass fascia rests firmly to the fireplace touch controls. Check that fascia is seated correctly on pins |
| | B. Fireplace was installed with the power in "on" position | B. Turn main power switch to the "off" position for 30 seconds. Switch the fireplace back into the "on" position for 20 seconds for complete reboot of touch control. |
| | C. Not operating touch control properly with finger | C. Press flat part of finger firmly on the touch screen and apply moderate pressure |
| | D. Loose connection on motherboard | D. Check functions with remote control. if functional, check connections on motherboard |
| | E. Motherboard is defective | E. Replace Motherboard |
| Fireplace turns off and will not turn back on | A. Fireplace has overheated and safety disc has snapped or circuit breaker has tripped | A. Turn off major power switch and waiting 5 minutes to turn it back on or reset circuit breaker |
| Can operate fireplace functions with touch controls but not remote control | A. Low Batteries | A. Replace batteries in remote control with - 2 AA batteries |
| | B. Not aiming control correctly | B. Aim remote control to the upper right of the viewing area where sensor is located |
| | C. Remote control defective | C. Replace remote control |
| | D. Remote Sensor is defective | D. Replace remote sensor inside fireplace |

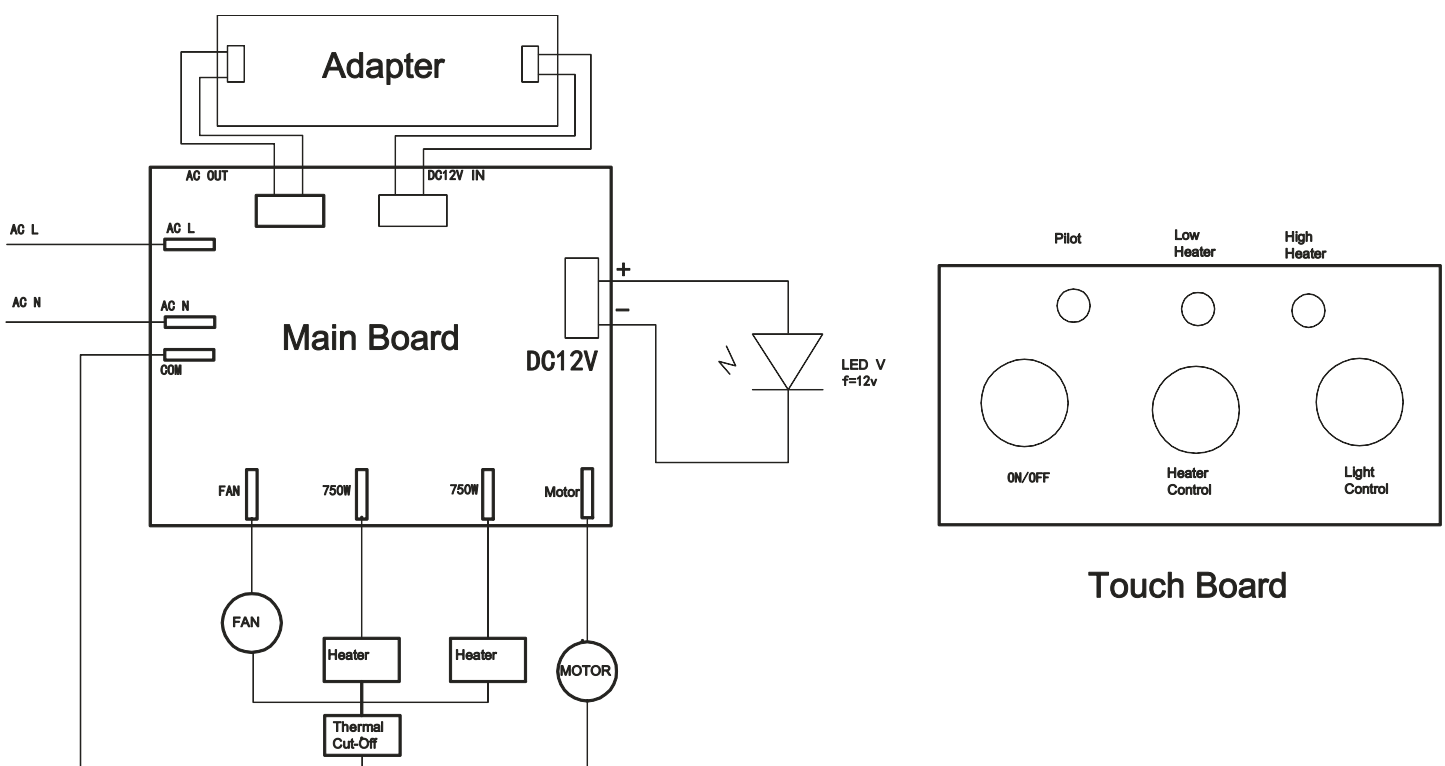
| PROBLEM | POSSIBLE CAUSE | CORRECTIVE ACTION |
|---|--|---|
| Flame is not visible when unit is turned on | A. Wiring is loose | A. Disconnect unit from power source and inspect for loose connections |
| | B. Motherboard is defective | B. Replace motherboard |
| Fireplace lights up but there is no flame image | A. Wiring for motor is loose | A. Disconnect unit from power source and inspect for loose connections from motor |
| | B. Motor is defective | B. Replace motor |
| Fireplace is squeaking when flame image is on | A. Fireplace spindle/ rod is contacting to metal | A. Apply lithium grease or any standard grease to contacts with rod and metal |
| | B. Motor is defective | B. Replace motor |

CLEANING AND MAINTENANCE INSTRUCTIONS

There is very little maintenance involved with your electric fireplace. Please follow the few points below:

- On a semi-annual basis unplug the machine from its power source and wait for the heating element to cool, dust the fire unit and glass face with a dry cloth. Be careful not to brush any wires that may be exposed as you do this.
- To clean the glass face of the fireplace simply use your desired glass cleaner with paper towels.
- To clean the air inlets/outlets, wipe with a soft cloth or the nozzle of a vacuum cleaner
- Dust can easily build up around the heater area under the appliance. Take particular care to clean this area on a regular basis to prevent buildup.
- If long time no use, please unplug the fireplace and stock it at indoor dry position.

WIRING DIAGRAM



© 2012

MODERN  FLAMES

www.modernflames.com
Please dispose of properly.

