

# MODERN FLAMES



NOVA INDOOR/  
OUTDOOR SERIES  
RECESSED ELECTRIC  
FIREPLACE

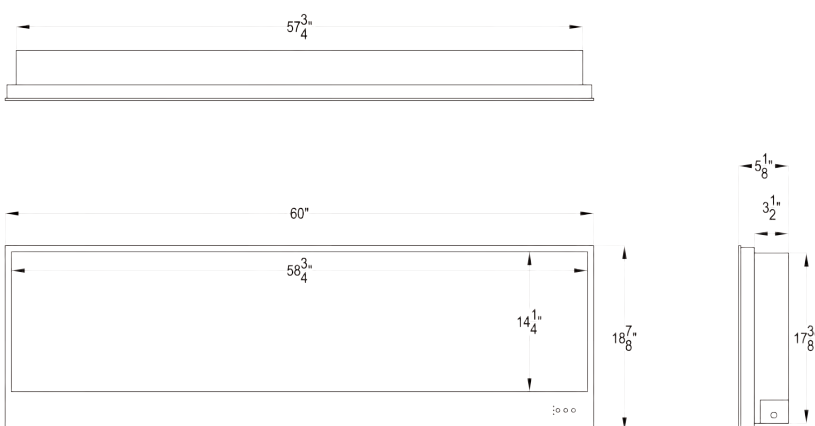
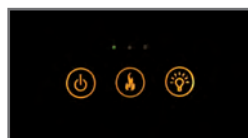
## NOVA INDOOR/OUTDOOR ELECTRIC FIREPLACE



The NOVA Recessed Electric Fireplace follows the long lineage of industry changing electric fireplaces. This is the first outdoor rated electric fireplace available in the market. This full enclosed electric fireplace is built and designed to accommodate any environmental occurrence such as heat, rain and other costal factors. The Nova is a 120/240 V direct wire option. This No Heat model has an optional plug-in heater of 1500/3000 Watts. The Nova creates a perfect ambiance for any moonlight setting.

### STANDARD FEATURES

- Recessed Mount Installation
- Weather proof construction
- Realistic natural flame appearance
- Interchangable Media Options
- Low energy LED Flame Technology
- 120/240 Direct Wire (Owners Choice)
- No Heat model with optional heater adaptor
- 1500/3000\* Watt Supplemental Heater  
\*Must be mounted 96" above floor
- Hi-tech touch screen controls
- Sleek remote control
- Do it yourself installation instructions (included)



| 60 NOVA         |                 |
|-----------------|-----------------|
| Volts           | AC 120V/60Hz    |
| Amps            | 1.5 Amps        |
| Watts           | 20 W            |
| Heater          | OPTIONAL        |
| Optional Heater | 1500/3000 Watts |
| Lamps           | LED DC12V       |
| Rotor motor     | AC 120V/60Hz 4W |
| Shipping Size   | 62" x 22" x 8"  |
| Shipping Weight | 95 lbs          |

