

PRODUCT SPECIFICATIONS

CSDV30(N/P)SL Direct Vent Gas Stove

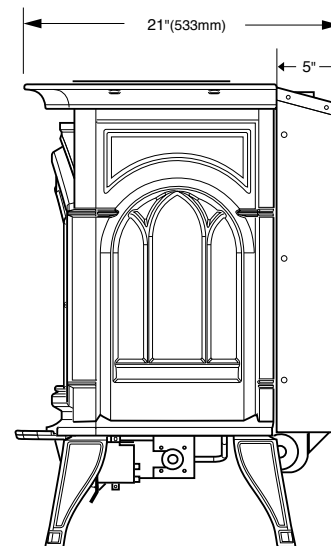
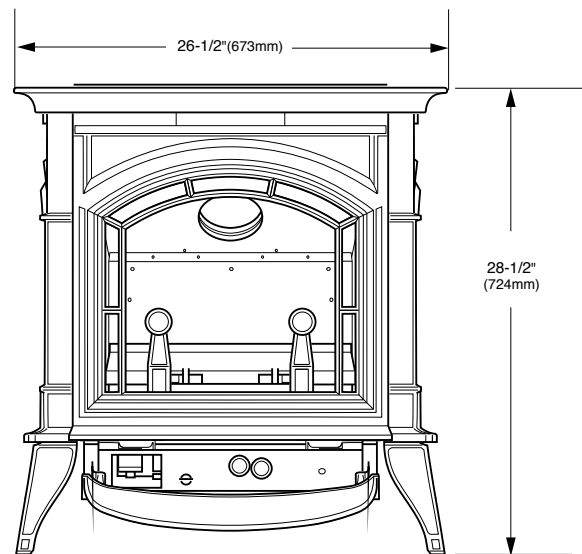


ACTUAL DIMENSIONS

Actual: 26½" W x 28½" H x 21" D
(673 mm x 724 mm x 533 mm)

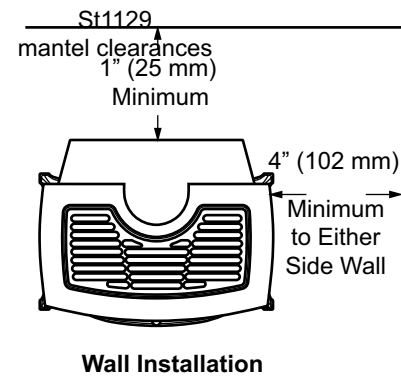
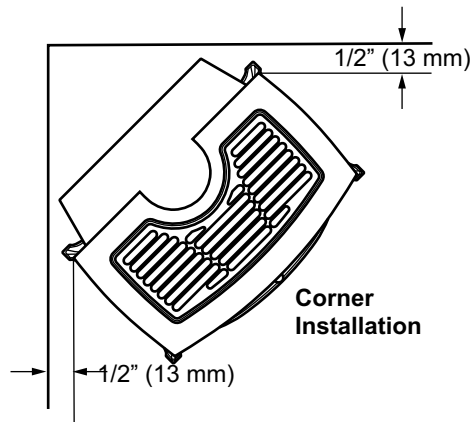
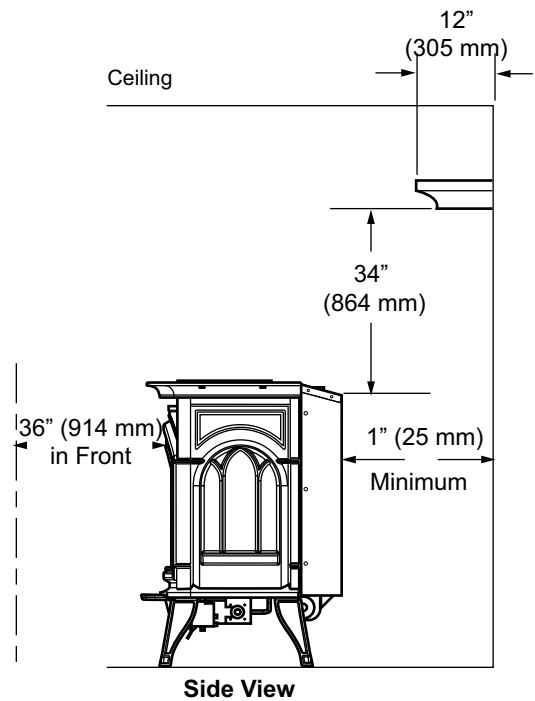
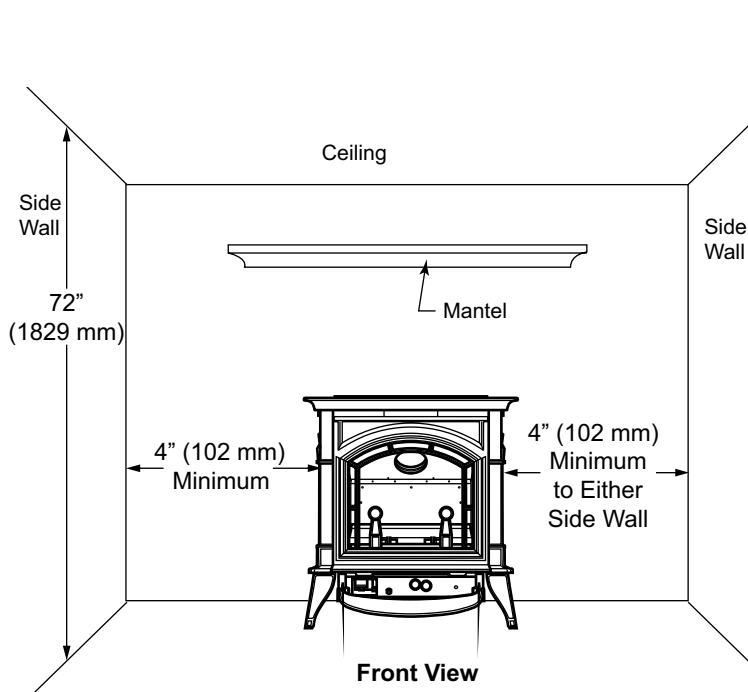
FIELD INSTALLED ACCESSORIES

- Medium Warming Shelf: (CWS30G) Graphite, (CWS30EMB) Enamel Brown
- Ambient Technologies® Remote Controls and Thermostats
- Variable Thermostat Controlled Blower: BLOTCS
- Safety Screen Barrier Included



PRODUCT SPECIFICATIONS

CSDV30(N/P)SL Direct Vent Gas Stove



TECHNICAL SPECIFICATIONS

17,000 - 28,000 NG / 21,000 - 28,000 LP

Heating Capacity (Sq. Ft) 1,100

Fire Viewing Area (Sq. In): 230

Flue Size: 4" x 6-5/8" SLP

Thermal Efficiency: 80%

Reliable millivolt system operates even during power outages

Battery operated pilot ignition system makes startup a snap

CSA Design Certified



149 Cleveland Drive, Paris, Kentucky 40361

www.majesticproducts.com

To avoid personal injury or property damage, the product described by this brochure must be installed, operated and maintained in strict compliance with the instructions packaged with the product and all applicable building or fire codes. Contact local building or fire officials about restrictions and installation inspection requirements. All photographs and drawings on this brochure are for illustrative purposes only and are not intended for, nor should they be used as a substitute for the instructions packaged with the unit. Appearance and specifications of the product are subject to change without notice. ©2015 Hearth & Home Technologies® 1115v3