



Installation and Operation Instructions Superior® B-Vent Gas Stoves Millivolt System

Ce manuel est disponible en français, simplement en faire la demande. Numéro de la pièce 127116-02.

P/N 127116-01 Rev C 03/2016



Report No. 09-170

Models

BXI2518MN

BXI2518MP

INSTALLER: Leave this manual with the appliance.
CONSUMER: Retain this manual for future reference.

Installateur : Laissez cette notice avec l'appareil.
Consommateur : Conservez cette notice pour consultation ultérieure.

⚠ WARNING: If the information in these instructions is not followed exactly, a fire or explosion may result causing property damage, personal injury or death

⚠ AVERTISSEMENT: Assurez-vous de bien suivre les instructions données dans cette notice pour réduire au minimum le risque d'incendie ou d'explosion ou pour éviter tout dommage matériel, toute blessure ou la mort.

⚠ WARNING:

FIRE OR EXPLOSION HAZARD

Failure to follow safety warnings exactly could result in serious injury, death, or property damage.

— Do not store or use gasoline or other flammable vapors and liquids in the vicinity of this or any other appliance.

— **WHAT TO DO IF YOU SMELL GAS**

- Do not try to light any appliance.
- Do not touch any electrical switch; do not use any phone in your building.
- Leave the building immediately.
- Immediately call your gas supplier from a neighbor's phone. Follow the gas supplier's instructions.
- If you cannot reach your gas supplier, call the fire department.

— Installation and service must be performed by a qualified installer, service agency or the gas supplier.

⚠ AVERTISSEMENT

RISQUED'INDENNIE OU D'EXPLOSION

Le non-respect Des avertissements de sécurité pourrait d'entraîner des blessures graves, la mort ou des dommages matériels.

— Ne pas entreposer ni utiliser d'essence ni d'autres vapeurs ou liquides inflammables dans le voisinage de cet appareil ou de tout autre appareil.

— **QUE FAIRE SI VOUS SENTEZ UNE ODEUR DE GAZ:**

- Ne pas tenter d'allumer d'appareil.
- Ne touchez à aucun interrupteur. Ne pas vous servir des téléphones se trouvant dans le bâtiment où vous trouvez.
- Sortez immédiatement de bâtiment.
- Appelez immédiatement votre fournisseur de gaz depuis un voisin. Suivez les instructions du fournisseur.
- Si vous ne pouvez rejoindre le fournisseur de gaz, appelez le service des incendies.

— L'installation et l'entretien doivent être assurés par un installateur ou un service d'entretien qualifié ou par le fournisseur de gaz.

SAFETY AND YOUR FIREPLACE

See attached color flyer for proper color representation



DANGER



HOT GLASS WILL CAUSE BURNS.

DO NOT TOUCH GLASS UNTIL COOLED.

NEVER ALLOW CHILDREN TO TOUCH GLASS.

A barrier designed to reduce the risk of burns from the hot viewing glass is provided with this appliance and shall be installed for the protection of children and other at-risk individuals.

Voir ci-joint tract pour une bonne représentation de la couleur



DANGER



VITRE CHAUDE RISQUE DE BRÛLURES.

NE TOUCHEZ PAS UNE VITRE NON REFROIDIE.

NE LAISSEZ JAMAIS UN ENFANT DE TOUCHER LA VITRE.

L'écran pare-étincelles fourni avec ce foyer réduit le risque de brûlure en cas de contact accidentel avec la vitre chaude et doit être installé pour la protection Des enfants et Des personnes à risques.

Vea el volante adjunto para la representación de color adecuado



PELIGRO



EL VIDRIO CALIENTE CAUSARÁ QUEMADURAS.

USTED DEBE NUNCA TOCAR EL VIDRIO CALIENTE.

LOS NIÑOS DEBEN NUNCA TOCAR EL VIDRIO.

Una barrera diseñada para reducir el riesgo de quemaduras desde la mirilla (vidrio) caliente es proveida con este aparato y deberá instalarse para la protección de los niños y otros individuos en riesgo.

Safety and Your Gas Stove

La sécurité et votre poêles au gaz

Seguridad y su chimenea

All parts of your IHP gas stove get EXTREMELY HOT!

Toutes les parties de votre poêles au gaz deviennent EXTRÊMEMENT CHAUDES !

¡Todas las partes de la chimenea IHP se ponen MUY CALIENTES!

- To prevent severe burns and injuries, do Not remove the barrier on the stove front which prevents direct contact with the glass.



- Follow the safety instructions below and be sure everyone in your household understands this burn hazard:
- **The surfaces on your fireplace get EXTREMELY HOT!**
- **The glass on the front of the fireplace reaches EXTREMELY HIGH temperatures and can cause severe burns if touched.**
- **Keep children away from an operating fireplace. Closely supervise children in any room where a fireplace is operating to prevent contact with glass.**
- **Keep clothing, furniture, gasoline, and other flammable liquids away from the fireplace.**
- **Even after the gas is turned off, fireplace surfaces remain extremely hot.**
- Read **Important Safety Information** on page 4.

- Afin d'éviter les brûlures graves ou les blessures, ne pas retirer l'écran ou la protection qui empêche tout contact direct avec la vitre.



- Suivez les instructions de sécurité ci-dessous et veillez à ce que tous les membres de votre famille soient conscients du danger de brûlure encouru :
- **Les surfaces de votre foyer deviennent EXTRÊMEMENT CHAUDES !**
- **La vitre située à l'avant du foyer atteint des températures EXTRÊMEMENT ÉLEVÉES et peut causer de graves blessures en cas de contact.**
- **Tenez les enfants à l'écart du foyer lorsqu'il fonctionne. Surveillez attentivement les enfants dans les pièces où un foyer est utilisé afin d'éviter qu'ils ne soient en contact avec la vitre.**
- **Tenez tous les vêtements, les meubles, l'essence et tout autre liquide inflammable à l'écart du foyer.**
- **Même après fermeture du gaz, les surfaces du foyer restent extrêmement chaudes.**
- Lisez la section **Informations importantes relatives à la sécurité**, page 4.

- Para evitar quemaduras y lesiones graves, no quite el protector de malla o guardia de seguridad que evita el contacto directo con el vidrio.
- Siga las instrucciones de seguridad a continuación y asegúrese de que todos en su hogar sepan acerca de este peligro de quemadura:
- **¡Las superficies de la chimenea se ponen MUY CALIENTES!**
- **El vidrio delante de la chimenea alcanza temperaturas EXTREMADAMENTE ALTAS y puede causar quemaduras graves si se toca.**
- **Mantenga a los niños alejados de la chimenea en funcionamiento. Supervise en forma cercana a los niños en cualquier cuarto donde haya una chimenea funcionando para impedir el contacto con el vidrio.**
- **Mantenga la ropa, mobiliario, gasolina y otros líquidos inflamables alejados de la chimenea.**
- **Aún después de haber apagado el gas, las superficies de la chimenea permanecen extremadamente calientes.**
- Lea la **Información importante** de seguridad en la **página 4**.

[ENGLISH]

[FRENCH]

[SPANISH]

IMPORTANT SAFETY INFORMATION

Important Safety Information

1. **WARNING:** Do not operate appliance with the glass front removed, cracked or broken.
2. Do not use this appliance if any part has been under water. Immediately call a qualified service technician to inspect the appliance and to replace any part of the control system and any gas control which has been under water.
3. Due to high temperatures, the appliance should be located out of traffic and away from furniture and draperies.
4. Children and adults should be alerted to the hazards of high surface temperature and should stay away to avoid burns or clothing ignition.
5. Clothing or other flammable material should not be placed on or near the appliance.
6. Young children should be carefully supervised when they are in the same room as the appliance. Toddlers, young children, and others may be susceptible to accidental contact burns. A physical barrier is recommended if there are at-risk individuals in the house. To restrict access to a fireplace or stove, install an adjustable safety gate to keep toddlers, young children, and other at-risk individuals out of the room and away from hot surfaces.
7. Any safety screen, guard or barrier removed for servicing an appliance must be replaced prior to operating the appliance.
8. Installation and repair should be done by a qualified service person. The appliance should be inspected before use and at least annually by a professional service person. More frequent cleaning may be required due to excessive lint from carpeting, bedding material, etcetera. It is imperative that control compartments, burners, and circulating air passageways of the appliance be kept clean. See cleaning and maintenance on *Page 24*.

L'information de sûreté importante

1. **AVERTISSEMENT.** Ne pas utiliser l'appareil si le panneau frontal en verre n'est pas en place, est craqué ou brisé.
2. Ne pas se servir de cet appareil s'il a été plongé dans l'eau, même partiellement. Faire inspecter l'appareil par un technicien qualifié et remplacer toute partie du système de contrôle et toute commande qui ont été plongées dans l'eau.
3. En raison des températures élevées, l'appareil devrait être installé dans un endroit où il y a peu de circulation et loin du mobilier et des tentures.
4. Les enfants et les adultes devraient être informés des dangers que posent les températures de surface élevées et se tenir à distance afin d'éviter des brûlures ou que leurs vêtements ne s'enflamment.
5. On ne devrait pas placer de vêtements ni d'autres matières inflammables sur l'appareil ni à proximité.
6. Les jeunes enfants devraient être surveillés étroitement lorsqu'ils se trouvent dans la même pièce que l'appareil. Les tout petits, les jeunes enfants ou les adultes peuvent subir des brûlures s'ils viennent en contact avec la surface chaude. Il est recommandé d'installer une barrière physique si des personnes à risques habitent la maison. Pour empêcher l'accès à un foyer ou à un poêle, installez une barrière de sécurité ; cette mesure empêchera les tout petits, les jeunes enfants et toute autre personne à risque d'avoir accès à la pièce et aux surfaces chaudes.
7. Tout écran ou protecteur retiré pour permettre l'entretien de l'appareil doit être remis en place avant de mettre l'appareil en marche.
8. L'installation et la réparation devrait être confiées à un technicien qualifié. L'appareil devrait faire l'objet d'une inspection par un technicien professionnel avant d'être utilisé et au moins une fois l'an par la suite. Des nettoyages plus fréquents peuvent être nécessaires si les tapis, la literie, et cetera produisent une quantité importante de poussière. Il est essentiel que les compartiments abritant les commandes, les brûleurs et les conduits de circulation d'air de l'appareil soient tenus propres. Voir nettoyage et d'entretien à la page 24.

Información importante de seguridad

1. **ADVERTENCIA:** No opere el artefacto con el frente de vidrio quitado, agrietado o roto.
2. No use este artefacto si alguna de sus partes ha estado bajo agua. Llame de inmediato a un técnico de servicio calificado para que inspeccione el artefacto y reemplace cualquier parte del sistema de control y cualquier control de gas que haya estado bajo agua.
3. Debido a las altas temperaturas, el artefacto debe situarse fuera de las áreas de tráfico y lejos del mobiliario y cortinas.
4. Se debe alertar a los niños y adultos sobre los peligros de las altas temperaturas en la superficie y que se mantengan alejados para evitar quemaduras o ignición de la ropa.
5. No debe colocarse ropa u otros materiales inflamables sobre y cerca del artefacto.
6. Se debe supervisar de cerca a los niños cuando estén en el mismo cuarto que el artefacto. Los niños pequeños, los jóvenes y otras personas pueden ser susceptibles a quemaduras por contacto accidental. Se recomienda instalar una barrera física si hay personas en riesgo en la casa. Para restringir el acceso a una chimenea o estufa, instale una puerta de seguridad ajustable para mantener a los niños pequeños, jóvenes y otras personas en riesgo fuera del cuarto y lejos de las superficies calientes.
7. Cualquier malla o resguardo de seguridad quitado para dar servicio a un artefacto, debe reinstalarse antes de operar el artefacto.
8. Una persona de servicio competente debe realizar la instalación y reparación. Una persona de servicio profesional debe inspeccionar el artefacto antes de usar al menos una vez por año. Se puede requerir limpieza más frecuente debido a la pelusa excesiva del alfombrado, del material de cobijas, etc. Es imprescindible mantener limpios los compartimientos de control, los quemadores y los pasajes de circulación del aire del artefacto. Ver limpieza y mantenimiento en la página 24.

Thank you for your purchase. We appreciate your business!

Please carefully read and follow all instructions in this manual. **Pay special attention to all warnings and safety information.**

Following these safety, care, and operation instructions will help ensure many years of dependable and enjoyable service from your stove.

Please read and understand these instructions before installing or operating.



TABLE OF CONTENTS

Safety and your Fireplace2
 Safety5
 Local Codes7
 Product Features.....7
 Requirements for the Commonwealth of Massachusetts7
 Product Identification.....8
 Pre-installation Preparation.....9
 Unpacking10
 Venting Installation10
 Installation15
 Operation21
 Inspecting Burners.....23
 Cleaning and Maintenance24
 Troubleshooting25
 Specifications.....28
 Wiring Diagram.....28
 Service Hints.....29
 Technical Service29
 Replacement Parts.....29
 Accessories.....29
 Parts30
 Warranty35

SAFETY

⚠ WARNING: Improper installation, adjustment, alteration, service or maintenance can cause injury or property damage. Refer to this manual for correct installation and operational procedures. For assistance or additional information consult a qualified installer, service agency or the gas supplier.

NOT FOR USE WITH SOLID FUEL CHECK LOCAL CODES PRIOR TO INSTALLATION

SAVE THIS BOOK

This book is valuable. In addition to instructing you on how to install and maintain your appliance, it also contains information that will enable you to obtain replacement parts or optional accessory items when needed. Keep it with your other important papers.

IMPORTANT: Read this owner’s manual carefully and completely before trying to assemble, operate or service this stove with burner system. Improper use of this stove with burner system can cause serious injury or death from burns, fire, explosion, electrical shock and carbon monoxide poisoning.

These appliances are designed as decorative appliances and are not intended for use as area stoves. They must not be equipped with wall thermostats or remote controls with thermostat functions.

IHP, its employees, or any of its representatives assume no responsibility for any damages caused by an inoperable, inadequate, or unsafe condition as a result of any improper operation, service or installation procedures, whether direct or indirect.

Reinstall any barrier removed before operating the appliance. The barrier is designed to reduce the risk of burns from hot glass. Do not operate the appliance without the barrier installed.

If the barrier becomes damaged, the barrier shall be replaced with the manufacturer’s barrier for this appliance.

Any barrier, grill, panel, or glass removed for service MUST be replaced prior to operating the appliance.

SAFETY *Continued*

Installation and repair should be done by a qualified service person. The appliance should be inspected before use and at least annually by a professional service person. More frequent cleaning may be required due to excessive lint from carpeting, bedding material, etcetera. It is imperative that control compartments, burners and circulating air passageways of the appliance be kept clean.

Children and adults should be alerted to the hazards of high surface temperature and should stay away to avoid burns or clothing ignition.

NOTICE: Young children should be carefully supervised when they are in the same room as the appliance. Toddlers, young children, and others may be susceptible to accidental burns. A physical barrier is recommended if there are to be at-risk individuals in the house. To restrict access to a fireplace or stove, install an adjustable safety gate to keep toddlers, young children, and other at-risk individuals out of and away from hot surfaces.

Only doors certified with the appliance shall be used.

Only trim kit(s) supplied by the manufacturer shall be used in the installation of this appliance.

Draft relief openings must not be covered or blocked.

Clearances are in accordance with local installation codes and the requirements of the gas supplier.

State of Massachusetts: The installation must be made by a licensed plumber or gas fitter in the Commonwealth of Massachusetts.

⚠ WARNING: This product contains and/or generates chemicals known to the State of California to cause cancer or birth defects or other reproductive harm.

⚠ DANGER: Carbon monoxide poisoning may lead to death!

This stove complies with the National Safety Standards and is listed and tested by the PFS Corporation to ANSI Z21.50 standard as vented gas stove.

NOTICE: Decorative product not for use as a heating appliance.

This stove with burner system is a vented product. This stove with burner system will not produce any gas leakage into your home if properly installed. This unit must be properly seated and sealed. If this unit is not properly installed by a qualified service person with glass door properly seated and sealed, gas leakage can occur.

Carbon Monoxide Poisoning: Early signs of carbon monoxide poisoning resemble the flu, with headaches, dizziness or nausea. If you have these signs, the burner system may not be working properly.

Get fresh air at once! Have burner system serviced. Some people are more affected by carbon monoxide than others. These include pregnant women, people with heart or lung disease or anemia, those under the influence of alcohol and those at high altitudes.

Propane/LP and Natural Gas: Propane/LP and natural gas are odorless. An odor-making agent is added to the gas. The odor helps you detect a gas leak. However, the odor added to the gas can fade. Gas may be present even though no odor exists.

Make certain you read and understand all warnings. Keep this manual for reference. It is your guide to safe and proper operation of this stove with burner system.

⚠ WARNING: Any change to this stove or burner system or its controls can be dangerous. Do not modify this stove with burner system under any circumstances. Any parts removed for servicing must be replaced prior to operating burner system.

⚠ WARNING: Do not use a blower insert, heat exchanger insert or other accessory not approved for use with this stove.

⚠ WARNING: This appliance is only for use with the type of gas indicated on the rating plate. This appliance is not convertible for use with other gases unless a certified kit is used.

Due to high temperatures, the appliance should be located out of traffic and away from furniture and draperies.

Clothing or other flammable material should not be placed on or near the appliance.

Do not use this stove to cook food or burn paper or other flammable material.

This stove reaches high temperatures. Keep children and adults away from hot surface to avoid burns or clothing ignition. Stove will remain hot for a time after shutdown. Allow surface to cool before touching.

Carefully supervise young children when they are in the room with stove

SAFETY *Continued*

Keep the area around your stove clear of combustible materials, gasoline and other flammable vapor or liquids. Do not run burner system where these are used or stored.

1. For propane/LP burner system, do not place propane/LP supply tank(s) inside any structure. Locate propane/LP supply tank(s) outdoors. To prevent performance problems, do not use propane/LP fuel tank of less than 100 lb. capacity.
2. If you smell gas
 - shut off gas supply
 - do not try to light any appliance
 - do not touch any electrical switch; do not use any phone in your building
 - Leave the building immediately.
 - immediately call your gas supplier from a neighbor's phone. Follow the gas supplier's instructions
 - if you cannot reach you gas supplier, call the fire department.
3. Never install the stove
 - in a recreational vehicle
 - in windy or drafty areas
 - where curtains or other combustible (flammable) objects are less than 42" from front, top, or sides of stove with burner system
 - in high traffic areas
4. Turn burner system off and let cool before servicing, installing or repairing. Only a qualified service person should install, service or repair this stove with burner system. Have stove with burner system inspected annually by a qualified service person.
5. You must keep control compartments, burners and circulating air passages clean. More frequent cleaning may be needed due to excessive lint and dust from carpeting, bedding material, etc. Turn off the gas valve and pilot light before cleaning stove or burner system.
6. Have venting system inspected annually by a qualified service person. If needed, have venting system cleaned or repaired. See Cleaning and Maintenance, page 24.
7. Do not use any solid fuels (wood, coal, paper, cardboard, etc.) in this burner system. Use only the gas type indicated on burner system nameplate.
8. This appliance, when installed, must be electrically grounded in accordance with local codes or, in the absence of local codes, with the National Electrical Code, ANSI/NFPA 70.
9. Do not use this appliance if any part has been under water. Immediately call a qualified service technician to inspect the appliance and to replace any part of the control system and any gas control which has been under water.
10. Do not operate burner system if any log is broken.
11. Do not operate burner system with glass door removed, cracked or broken.
12. Do not obstruct the flow of combustion and ventilation air in any way. Provide adequate clearances around air openings into the combustion chamber along with adequate accessibility clearance for servicing and proper operation.
13. Do not install stove with burner system directly on carpeting, vinyl tile, or any combustible material other than wood. The stove must set on a metal or wood panel extending the full width and depth of the stove.
14. This stove must be properly connected to a vent system. This stove is equipped with a vent safety shutoff system.

LOCAL CODES

Install and use stove and burner system with care. Follow all local codes. In the absence to local codes, use the current National Fuel Gas Code ANSI Z223.1/NFPA 54*

*Available from:

American National Standards Institute, Inc.
25 West 43rd Street, 4th floor
New York, NY 10036
National Fire Protection Association, Inc.
1 Batterymarch Park
Quincy, MA 02169-7471

PRODUCT FEATURES

OPERATION

This B-vent cast iron stove with burner system is clean burning and vents vertically. Heat is generated by both realistic flames and glowing embers. When used without the blower accessory, the stove with burner system requires no electricity making it ideal for emergency backup heat.

PIEZO IGNITER

This burner system has a piezo igniter. This system requires no matches, batteries, or other sources to light burner system.

COMMONWEALTH OF MASSACHUSETTS REQUIREMENTS

These appliances are approved for installation in the US state of Massachusetts if the following additional requirements are met:

- Install this appliance in accordance with Massachusetts Rules and Regulations 248 C.M.R. Sections 4.00 through 8.00.
- Installation and repair must be done by a plumber or gas fitter licensed in the Commonwealth of Massachusetts.
- The flexible gas line connector used shall not exceed 36 inches (92 centimeters) in length.
- The individual manual shut-off must be a T-handle type valve

PRODUCT IDENTIFICATION

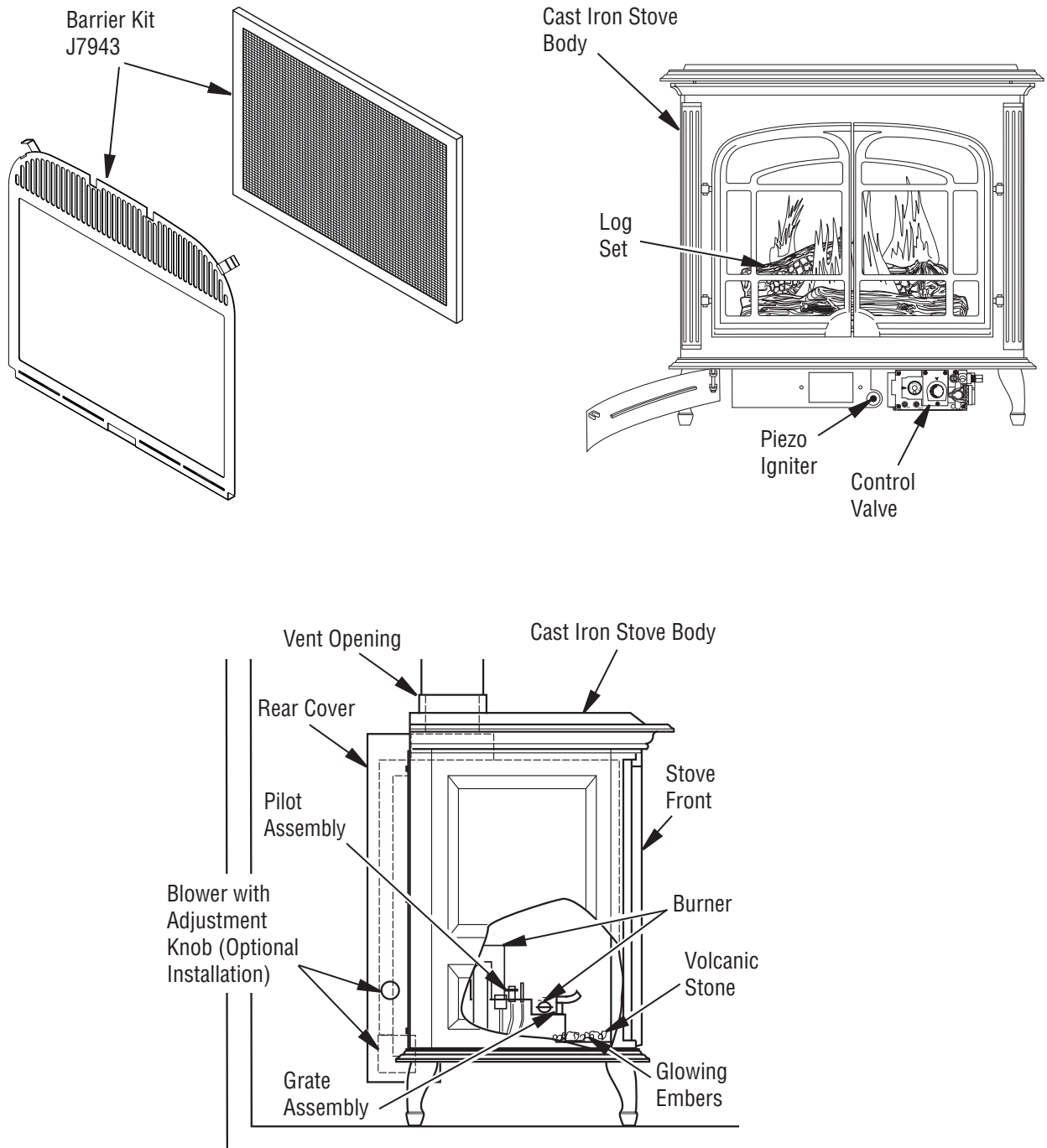


Figure 1 - IHP B-Vent Burner System Shown Installed in Approved IHP Cast Iron Stove Body

PRE-INSTALLATION PREPARATION

⚠ WARNING: A qualified installer or service person must install stove and burner system. Follow all local codes.

⚠ CAUTION: This stove with burner system creates warm air currents. These currents move heat to wall surfaces next to stove. Installing stove next to vinyl or cloth wall coverings or operating stove with burner system where impurities (such as, but not limited to, tobacco smoke, aromatic candles, cleaning fluids, oil or kerosene lamps, etc.) in the air exist, may discolor walls or cause odors.

LOCATION AND SPACE REQUIREMENTS

Determine the safest and most efficient location for your IHP B-vent cast iron stove. Make sure that rafters and wall studs are not in the way of the venting system. Choose a location where the heat output is not affected by drafts, air conditioning ducts, windows or doors. Figure 2 shows some common locations. Be aware of all restrictions and precautions before deciding the exact location for your stove and termination cap.

When deciding the location of your stove and burner system, follow these rules:

- Do not connect this stove and burner system to a chimney flue serving a separate solid-fuel burning stove or appliance.
- Due to high temperatures, do not locate this stove in high traffic areas, or near furniture or draperies.
- Proper clearances must be maintained. See Figures 3 and 4.
- This stove is a freestanding unit designed to set directly on the floor. If your stove is to be installed directly on carpeting, vinyl tile, or any combustible material other than wood, it must be installed on a metal or wood panel extending the full width and depth of the stove. See Figure 5.

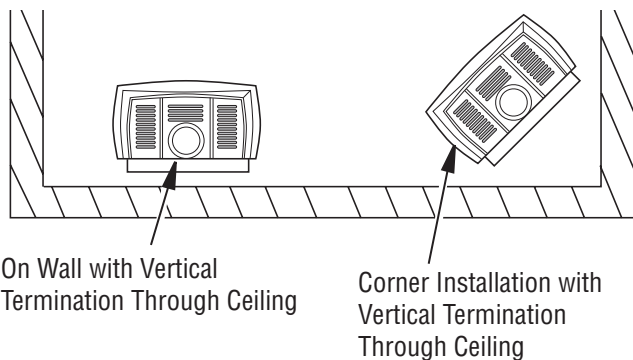


Figure 2 - Common Stove Locations

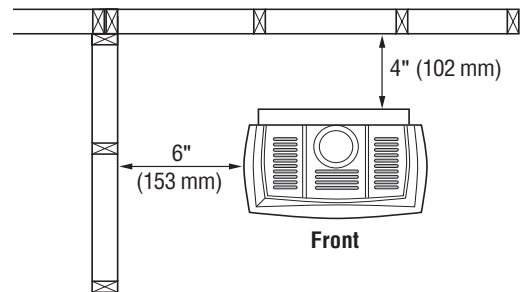
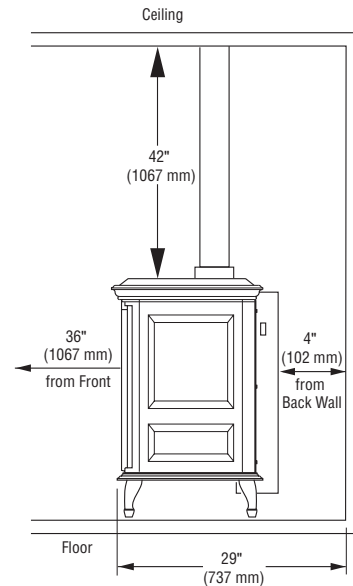


Figure 3 - Clearances for Standard Installation

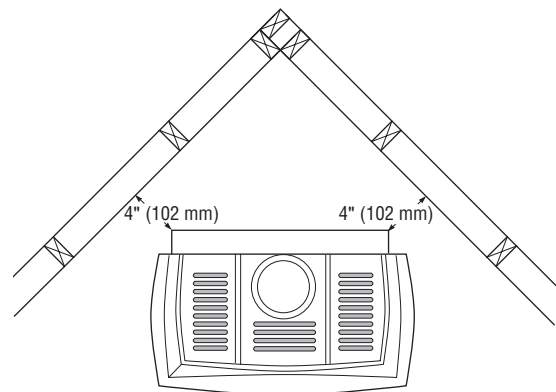


Figure 4 - Clearance for Corner Installation

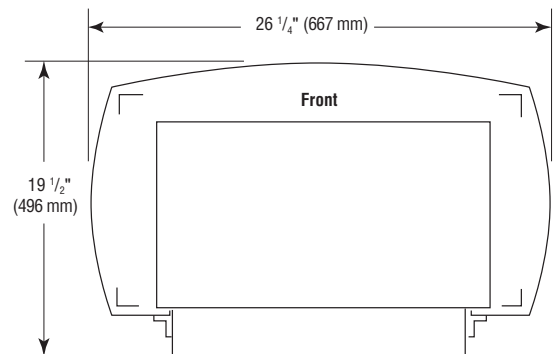


Figure 5 - Stove With Burner System Bottom Dimensions

UNPACKING

1. Lift off corrugated box enclosing stove body crating.
2. Remove screws fastening back and top of wood frame enclosure. Two or more people must carefully lift stove up and out of wooden crate.
3. Remove plastic bag from stove body.
4. Remove back panel from stove (see Figure 6). Use an adjustable wrench or a 10 mm socket. Remove 4 bolts and washers. Keep bolts and washers to reattach back panel later.
5. Remove bubble-wrapped log set, rod and screen from stove. Remove all protective packaging applied for shipment.
6. Check stove for any shipping damage. If stove is damaged contact IHP at Superiorfireplaces.US.com for replacement parts before returning to dealer. Some fiber flakes may fall from logs. This is acceptable.
7. Place freestanding stove near desired location in room.

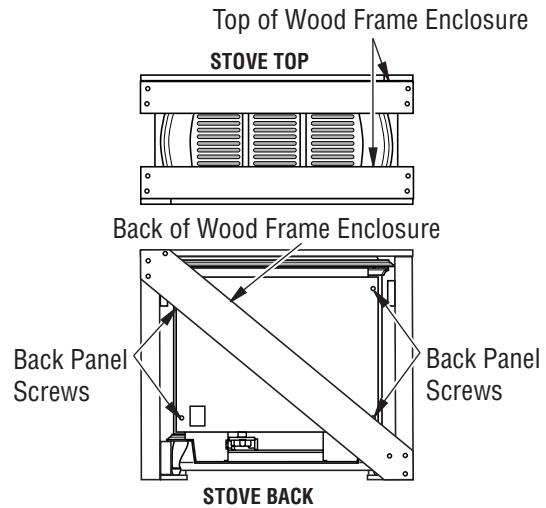


Figure 6 - Unpacking Stove from Wooden Shipping Enclosure

VENTING INSTALLATION

⚠ WARNING: Read all instructions completely and thoroughly before attempting installation. Failure to do so could result in serious injury, property damage, or loss of life. Operation of improperly installed and maintained venting system could result in serious injury, property damage, or loss of life.

NOTICE: Failure to follow these instructions will void the warranty.

INSTALLATION PRECAUTIONS

Consult local building codes before beginning installation. Only a qualified service person should install venting system. The installer must follow these safety rules:

- Wear gloves and safety glasses for protection
 - Use extreme caution when using ladders or when on roof tops
 - Be aware of electrical wiring locations in walls and ceilings
- The following actions will void the warranty on your venting system:
- Installation of any damaged venting component
 - Unauthorized modification of the venting system
 - Installation of any component part not manufactured or approved by IHP
 - Installation other than as instructed by these instructions

Your IHP stove with B-vent burner system is approved for use with any listed gas vent. A listed gas vent is a factory made and listed system designed, and installed exclusively for removing products of combustion, excess air, and dilution air resulting from burning fuel gas. Metal vents, the most common type of vent, employ double wall construction enclosing an insulating air space. This air space both helps keep flue gases warm and reduce heat transferred to nearby combustibles. This appliance is equipped with a safety control system designed to protect against improper venting of combustion products. It is very important that the venting system maintain its balance between the combustion air intake and the flue gas exhaust. Certain limitations apply to vent configurations and must be strictly followed.

⚠ WARNING: This gas stove with burner system and vent assembly must be vented directly to the outside. The venting system must NEVER be attached to a chimney serving a separate solid fuel burning appliance.

TYPE B-VENT INSTALLATION (Listed B-0 or Greater)

Before beginning installation be sure that the overall height and gas vent size conform to building code requirements. Gas vents extending through pitched roofs can extend a minimum height of at least 600 mm (2') higher than any obstruction within 3m (10'). Gas vents extending through flat roofs are required to extend at least 600 mm (2') above the roof and at least 600 mm (2') higher than any portion of the building or adjoining building within 3m (10') of the gas vent.

- In absence of local codes, follow "Venting of Equipment" section of the current National Fuel Gas Code NFPA 54/ANSI Z223.1 and the Natural Gas Installation Code - vent sizings for Category I systems using double wall B-1 vent pipe.
- Where the gas vent extends through accessible spaces, it should be enclosed to avoid personal contact and damage. Enclosure walls should have a fire rating equal to or greater than the floors through which the gas vent passes except in single or two-family dwellings.
- Situate the gas vent in the structure so that it can be installed without cutting joists, sills, plates, or major load bearing partitions or members. It is also important to locate the base of the gas vent as near as possible to the heating appliance.
- This burner system must be properly connected to a venting system. This burner system is equipped with a vent safety shutoff system.
- Use only vents labeled "FOR EXTERIOR USE" above the roofline.
- Consult the authority having jurisdiction to select the correct gas vent diameter. Avoid using a larger than necessary diameter.

VENTING INSTALLATION *Continued*

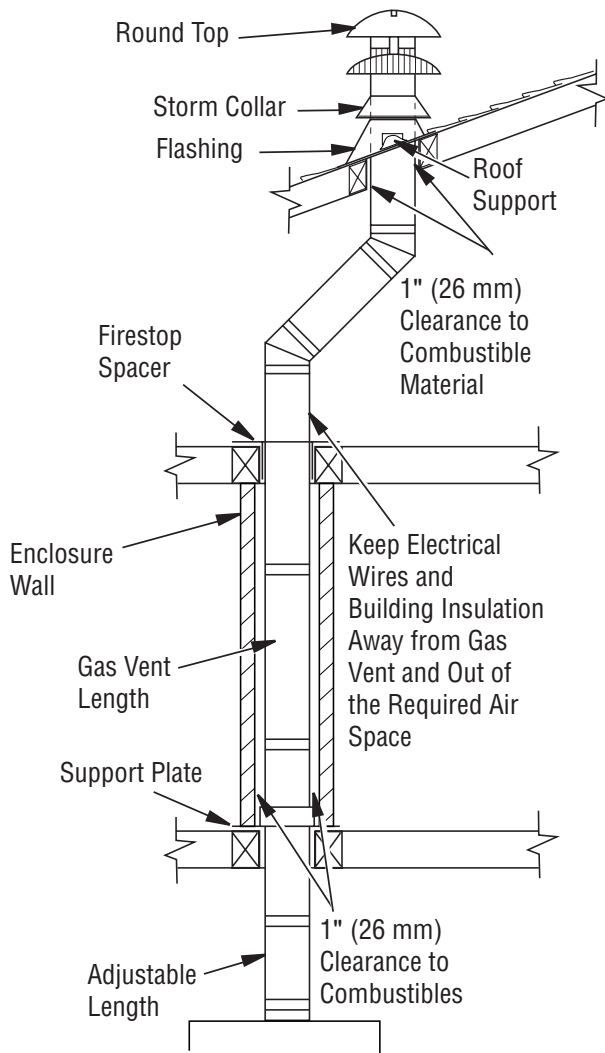


Figure 7 - Typical B-Vent Installation

INSTALLATION OF LISTED B-1 VENT

⚠ WARNING: Installation should only be made by qualified persons who are familiar with the safety procedures required for the installation of the product, who are equipped with the proper tools and testing instruments, and who have achieved proper certification of licensing. Installations made by unqualified persons can result in the risk of injury or electrical shock which can be serious or even fatal.

Figures 8 through 10, pages 11 to 12 show other options for the gas vent. When venting through a side wall your vent pipe must have the proper temperature rating (see Figure 10, page 12). Manufacturer's clearances must also be maintained. Consult the authority having jurisdiction in your area regarding venting through side wall.

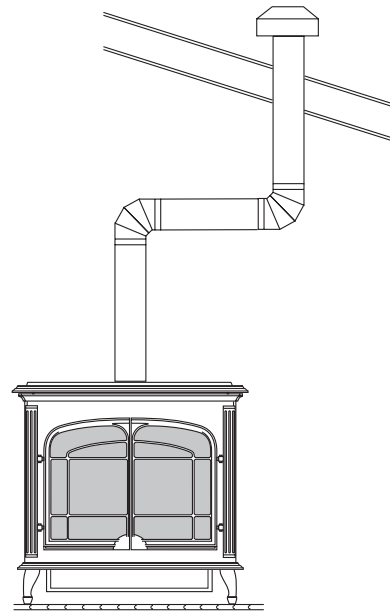


Figure 8 - Vertical Venting Through Ceiling Using Two 90° Elbows

VENTING INSTALLATION *Continued*

INSTALLING VENT SYSTEM INTO CHASE

A chase is a vertical box-like structure built to enclose venting that runs along the outside of a building. A chase is not required for such venting.

NOTICE: Treatment of firestops and construction of the chase may vary from building type to building type. These instructions are not substitutes for the requirements of local building codes. You must follow all local building codes.

Note: When installing in a chase, you should insulate the chase as you would the outside walls of your home. This is especially important in cold climates. Minimum clearance between vent pipes and combustible materials such as insulation is 1".

CHECKING VENT CAPACITY

Complete all gas piping, electrical, and vent connections. After adjusting the burner system and lighting the main burners, allow a couple of minutes for warm-up. Hold a lighted match just under the rim of the draft hood relief opening. Proper venting will draw the flame toward or into the draft hood. Improper venting, indicated by escape or spillage of burned gas, will cause match to flicker or go out. Smoke from a cigarette will also be pulled into the draft hood if the vent is drawing properly.

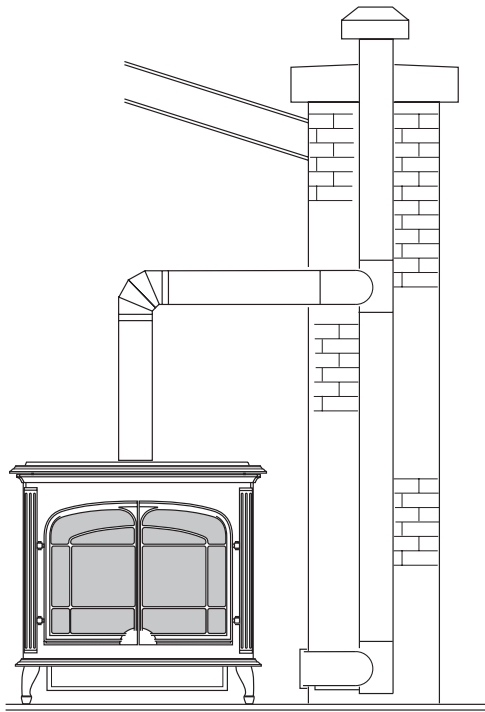


Figure 9 - Vertical Venting Configuration Through Chimney

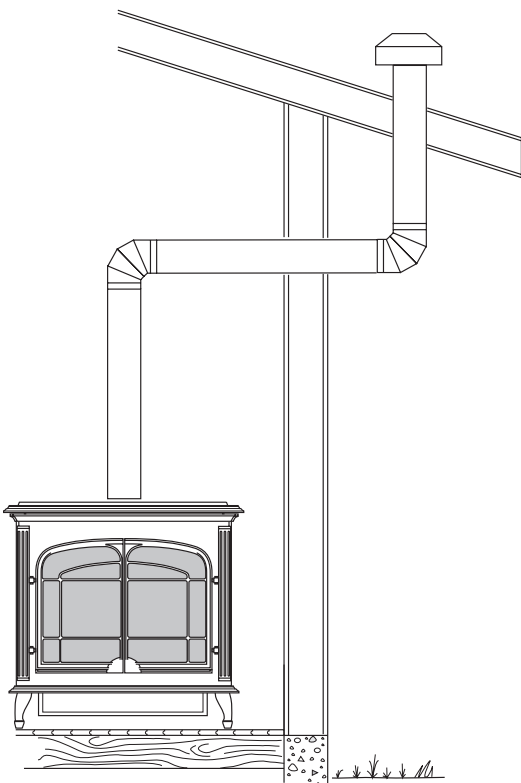


Figure 10 - Venting Through a Side Wall

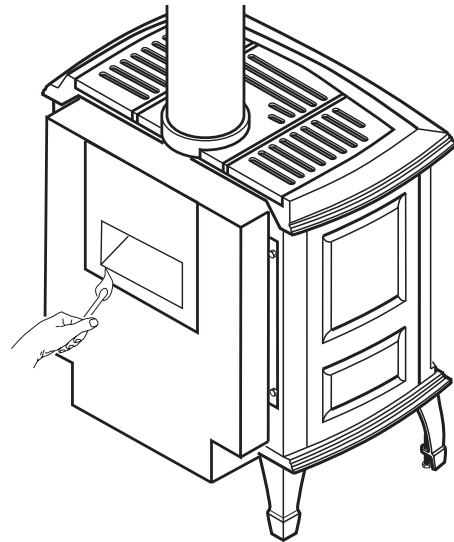


Figure 11 - Test for Proper Venting

VENTING INSTALLATION *Continued*

CHIMNEYS

- Complete familiarity with chimney condition, height, size, clearance to combustibles and other factors is essential.

NOTICE: Consult the authority having jurisdiction in your area regarding masonry chimney venting applications.

NOTICE: A complete chimney inspection by a qualified person should be performed.

- Appliances using B-vent connectors to vent into a masonry or factory-built chimney should not exceed 1½ feet in length for every inch of connector diameter (3" vent connector has a maximum 4½ foot length; 5" connector has maximum 7½ foot length).
- Oversized chimneys should be relined with appropriate listed relining systems.
- Clean out access may be required.

RELINING SYSTEMS

- Suitability and approval of relining materials should be determined.
- Condition, size, height, and termination of the chimney to be relined must be determined.
- No substitution of components should be made.
- Joints and connectors should be made according to manufacturer's instructions.

NOTICE: Consult the authority having jurisdiction in your area regarding listed chimney liner venting applications.

⚠ WARNING: Operation of improperly installed and maintained venting system could result in serious injury, property damage, or loss of life.

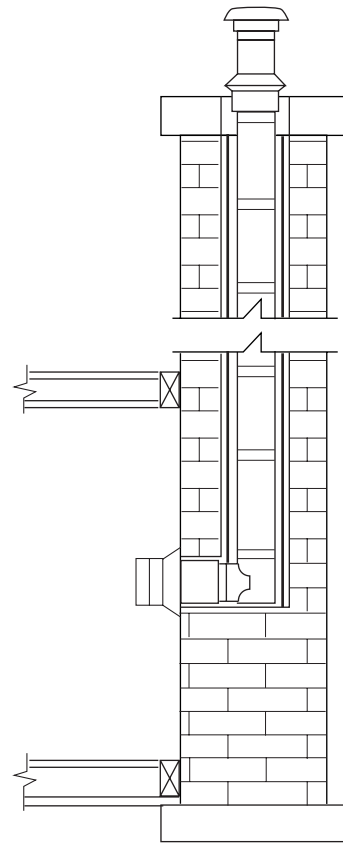


Figure 12 - Straight Installation into Masonry Chimney

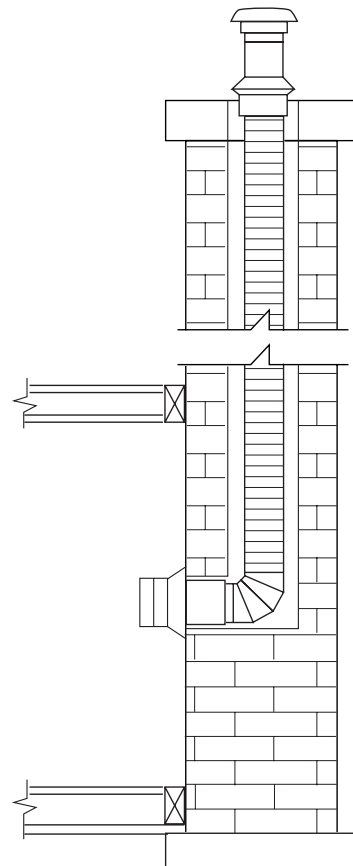


Figure 13 - Typical Straight Installation with Listed Chimney Liner

VENTING INSTALLATION *Continued*

HIGH ALTITUDE INSTALLATION

Your IHP B-vent burner system has been tested and approved for operation at altitudes in the USA from 0-2000 feet.

When installing this burner system at an elevation above 2000 feet (in the USA), you may need to decrease the input rating by changing the existing burner orifice to a smaller size. Reduce input 4% for each 1000 feet above sea level. Check with your local gas company for proper orifice size identification and proper orifice for your location. For assistance with any high altitude installation contact IHP's Technical Service Department at Superiorfireplaces.US.com

TROUBLESHOOTING VENTING PROBLEMS

Most venting problems are caused by incorrect vent sizing, improper installation, or inadequate air supply. A preliminary check for a field problem might include:

- Checking the vent sizing according to manufacturer's specifications, appliance input, and venting configuration
- Examining the entire venting system for faults such as disconnected joints for damaged vent sections
- Making sure vent and air openings are not obstructed

If these procedures do not reveal the source of the problem, troubleshooting may include attention to common venting problems.

FLUE GAS SPILLAGE

Spillage occurs when flue gases cannot exit the vent system and back up into the dwelling. A primary symptom of appliances equipped with a Vent Safety Shutoff System (flue spill switch) is unexplained appliance shutoffs. Other symptoms of flue gas spillage at the draft hood include condensation on walls and windows and/or noticeable odors. Spillage may also result in the release of carbon monoxide, a colorless, odorless, highly toxic gas. A simple spillage test can be conducted if spillage is suspected. See *Checking Gas Connection*, page 16.

CAUSES OF SPILLAGE AND CORRECTIVE ACTION

Incorrect Vent Sizing

If the vent is too small or too short, spillage may occur. If the vent is too large, excessive dilution air may cool flue gases and reduce draft, causing spillage. The vent cap size should also be checked. Check manufacturer's instructions, appliance input rating, and appropriate sizing tables.

Venting Condition

Loose joints can affect draft and cause spillage. "Mashed" vent sections and damaged vent caps can restrict flow and cause spillage. Examine and replace as needed.

Obstructions

Small animals or birds may get into and block the vent or draft hood outlet. Dust, lint, and foreign objects may obstruct air inlets. Remove obstructions and clean openings.

Lateral Run

Lengthy horizontal or non-vertical runs cause resistance to flow and may reduce draft enough to cause spillage. The pitch of lateral runs can also be a problem; lateral runs should be pitched 1/4" rise per foot of horizontal run from the appliance to the vent.

Elbows

Too many elbows cause excessive restriction of flow and may result in spillage. Usually, two 90° turns can be tolerated in a properly sized venting system. More than two may cause problems and necessitate changing the system.

Flue Gas Cooling

Venting exposed to extremely cold temperatures or venting of single wall construction loses heat needed to maintain draft; massive masonry chimneys absorb needed heat. If the flue gases cool excessively, draft is reduced and spillage may result. Use proper materials, insulate and protect properly, reline when necessary.

Down Drafts

In certain wind conditions and in certain relationships with nearby structures and objects, high pressure conditions may affect draft negatively. Relocate the vent cap, raise its height, or use an approved high wind cap.

INSTALLATION

NOTICE: This burner system is intended for use as supplemental heat. Use this burner system along with your primary heating system. Do not install this stove and burner system as your primary heat source. If you have a central heating system, you may run system's circulating blower while using appliance. This will help circulate the heat throughout the house. These appliances are designed for use as a supplemental stove. They are not intended for continuous use as a primary heat source.

CHECK GAS TYPE

Use proper gas type for the burner system unit you are installing. If you have conflicting gas types, do not install burner system. See dealer where you purchased the stove and burner system for proper burner system according to your gas type. Conversion kits are also available for these models, see [Accessories](#) on page 29.

IMPORTANT: If installing gas conversion kit, do so at this time. Be sure to follow all installation instructions included with conversion kit.

INSTALLING GAS PIPING TO STOVE LOCATION

WARNING: A qualified installer or service person must connect burner system to gas supply. Follow all local codes.

CAUTION: For propane/LP units, never connect burner system directly to the propane/LP supply. This burner system requires an external regulator (not supplied). Install the external regulator between the burner system and propane/LP supply.

Installation Items Needed

Before installing stove and burner system, make sure you have the items listed below.

- external regulator (supplied by installer)
- piping (check local codes)
- sealant (resistant to propane/LP gas)
- equipment shutoff valve *
- test gauge connection *
- sediment trap
- tee joint
- pipe wrench
- approved flexible gas line with gas connector (if allowed by local codes) (not provided)

* An equipment shutoff valve with 1/8" NPT tap is an acceptable alternative to test gauge connection. Purchase the equipment shutoff valve from your dealer.

For propane/LP connections only, the installer must supply an external regulator. The external regulator will reduce incoming gas pressure. You must reduce incoming gas pressure to between 11" and 14" of water. If you do not reduce incoming gas pressure, appliance regulator damage could occur. Install external regulator with the vent pointing down as shown in Figure 14. Pointing the vent down protects it from freezing rain or sleet.

CAUTION: Use only new, black iron or steel pipe. Internally-tinned copper tubing may be used in certain areas. Check your local codes. Use pipe of 1/2" diameter or greater to allow proper gas volume to burner system. If pipe is too small, undue loss of volume will occur.

Installation must include an equipment shutoff valve, union, and plugged 1/8" NPT tap. Locate NPT tap within reach for test gauge hook up. NPT tap must be upstream from burner system (see Figure 15). Check your building codes for any special requirements for locating equipment shutoff valve to stoves.

Apply pipe joint sealant lightly to male NPT threads. This will prevent excess sealant from going into pipe. Excess sealant in pipe could result in clogged burner system valves.

WARNING: Use pipe joint sealant that is resistant to liquid petroleum (LP) gas.

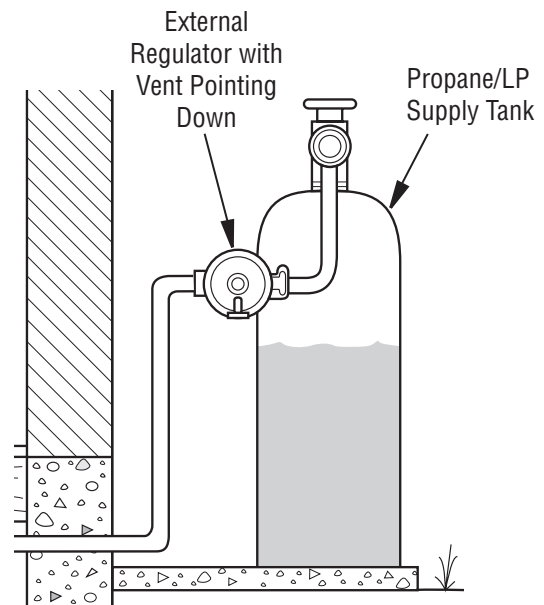
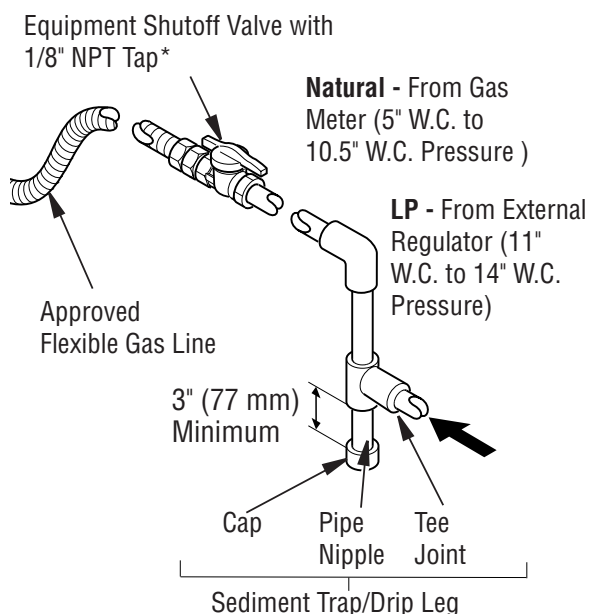


Figure 14 - External Regulator with Vent Pointing Down (Propane/LP Only)

INSTALLATION *Continued*



* The equipment shutoff valve may be supplied with the appliance or you can purchase it from your dealer.

Figure 15 - Gas Connection

We recommend that you install a sediment trap/drip leg in supply line as shown in Figure 15. Locate sediment trap/drip leg where it is within reach for cleaning. Install in piping system between fuel supply and burner system. Locate sediment trap/drip leg where trapped matter is not likely to freeze. A sediment trap traps moisture and contaminants. This keeps them from going into burner system gas controls. If sediment trap/drip leg is not installed or is installed wrong, burner system may not run properly.

CONNECTING STOVE/BURNER SYSTEM TO GAS SUPPLY

Installation Items Needed

- 5/16" hex socket wrench or nut-driver
- sealant (resistant to propane/LP gas, not provided)

1. Open lower door panel.
2. Route flexible gas line (provided by installer) from equipment shutoff valve to burner system (see Figure 16). Route flexible gas line and attach to valve.
3. Check all gas connections for leaks. See [Checking Gas Connections](#).

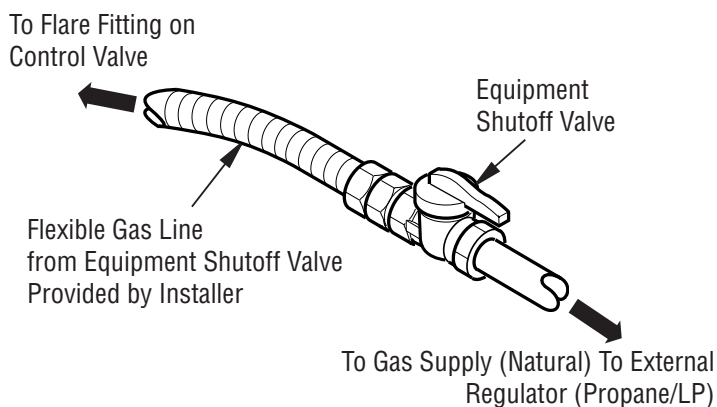


Figure 16 - Flexible Gas Line

CHECKING GAS CONNECTIONS

⚠ WARNING: Test all gas piping and connections, internal and external to unit, for leaks after installing or servicing. Correct all leaks at once.

⚠ WARNING: Never use an open flame to check for a leak. Apply noncorrosive leak test solution to all gas joints. Bubbles forming show a leak. Correct all leaks at once.

PRESSURE TESTING GAS SUPPLY PIPING SYSTEM

Test Pressures In Excess Of 1/2 PSIG (3.5 kPa)

The appliance and its appliance main gas valve must be disconnected from the gas supply piping system during any pressure testing of that system at test pressures **in excess of** 1/2 psig (3.5 kPa).

1. Disconnect appliance with its appliance main gas valve (control valve) and equipment shutoff valve from gas supply piping systems. Pressures in excess of 1/2 psig (3.5 kPa) will damage burner system gas regulator.
2. Cap off open end of gas pipe where equipment shutoff valve was connected.
3. Pressurize supply piping system by either opening propane/LP supply tank valve for propane/LP gas burner system or opening main gas valve located on or near gas meter for natural gas burner system, or using compressed air.
4. Check all joints of gas supply piping system. Apply noncorrosive leak test solution to all gas joints. Bubbles forming show a leak. Correct all leaks at once.
5. Reconnect burner system and equipment shutoff valve to gas supply. Check reconnected fittings for leaks.

Test Pressures Equal To or Less Than 1/2 PSIG (3.5 kPa)

The appliance must be isolated from the gas supply piping system by closing its equipment shutoff valve during any pressure testing of the gas supply piping system at test pressures **equal to or less than** 1/2 psig (3.5 kPa).

1. Close equipment shutoff valve (see Figure 17, page 17).
2. Pressurize supply piping system by either opening propane/LP supply tank valve for propane/LP gas burner system or opening main gas valve located on or near gas meter for natural gas burner system, or using compressed air.
3. Check all joints from propane/LP supply tank or gas meter to equipment shutoff valve (see Figure 18 for propane/LP or Figure 19, for natural gas, page 17). Apply noncorrosive leak test solution to all gas joints. Bubbles forming show a leak. Correct all leaks at once.

INSTALLATION *Continued*

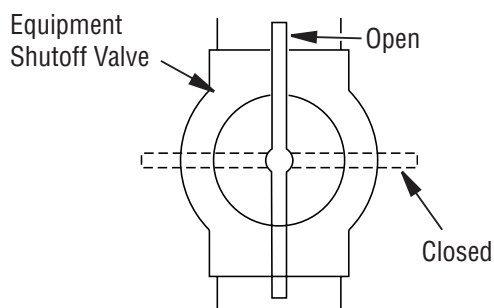


Figure 17 - Equipment Shutoff Valve

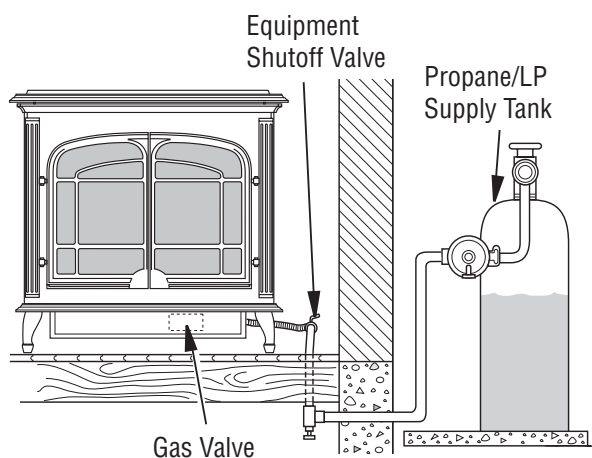


Figure 18 - Checking Gas Joints for Propane/LP Gas Burner System

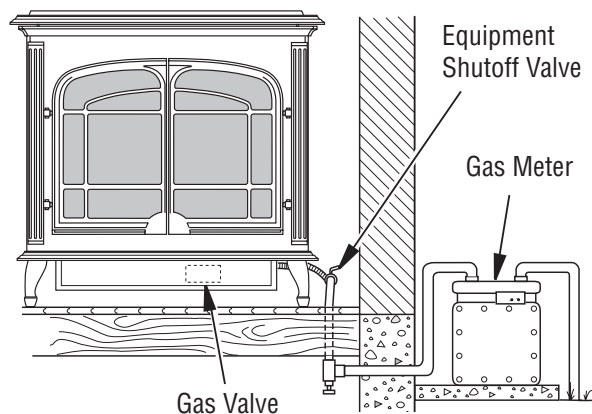


Figure 19 - Checking Gas Joints for Natural Gas Burner System

PRESSURE TESTING BURNER SYSTEM GAS CONNECTIONS

1. Open equipment shutoff valve (see Figure 17).
2. Open propane/LP supply tank valve for propane/LP burner system or main gas valve located on or near gas meter for natural gas burner system.
3. Make sure control knob of burner system is in the OFF position.
4. Check all joints from equipment shutoff valve to thermostat gas valve (see Figure 18 for propane/LP or Figure 19 for natural). Apply commercial leak test solution to all gas joints. Bubbles forming show a leak. Correct all leaks at once.
5. Light burner system (see [Lighting Instructions](#), page 21). Check all other internal joints for leaks.
6. Turn off burner system (see [To Turn Off Gas to Appliance](#), page 22).

INSTALLING OPTIONAL WALL MOUNT SWITCH - GWMS2

1. Connect one terminal of 25 ft. wire for the wall switch to the TPTH terminal on the valve. Connect remaining wire terminal to the TH terminal on the valve. Make sure that the wire terminals are in the positions on the unit as pictured in Figure 20. If wires are not connected as shown, the switch will not work.
2. Route the 25 ft. wire through openings provided on the sides of the burner system to a convenient location to mount your switch.
3. Connect one bare wire end to each of the terminals of the GWMS2 wall switch.
4. Install the wall switch and cover in the wall.

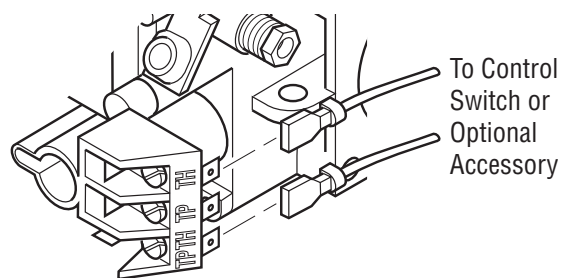


Figure 20 - Control Valve Terminals

INSTALLATION *Continued*

INSTALLING BARRIER KIT J7943 TO CAST IRON STOVE BODY

If the barrier becomes damaged, the barrier shall be replaced with the manufacturer's barrier for this appliance.

For use with barrier kit Part No. J7943. Follow installation instructions.

To Install the barrier kit to cast iron stove body

1. Open cast iron body doors.
2. Unscrew two bolts underneath the bottom front face of cast iron body.
3. Place the barrier resting it over cast iron side grooves and extruded tab located at bottom front face of cast iron body (see Figures 21 and 22).
4. Install frame by tilting it and inserting tabs underneath top

face of cast iron body first, (the frame has two notches on top, the right notch must fit over the door catch) then insert the bottom portion between the slit from cast iron chassis and the bottom front face of cast iron body (the bottom of frame has two holes to secure barrier to cast iron body (see Figures 23 and 24)).

5. Place bolts removed in step 2 from underneath bottom front of cast iron body to secure the frame (see Figure 21 for bolts location).
6. Close the cast iron main doors, left side first then right side.

Note: If the barrier becomes damaged, replace it immediately following these steps.

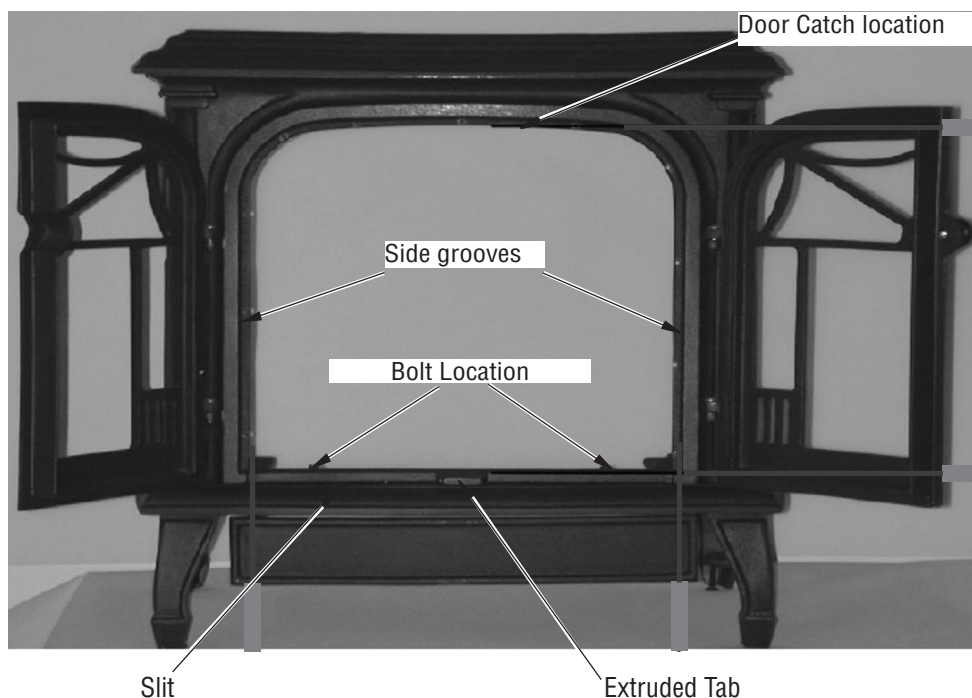


Figure 21 - Installing Barrier and Barrier frame Into Cast Iron Stove Body

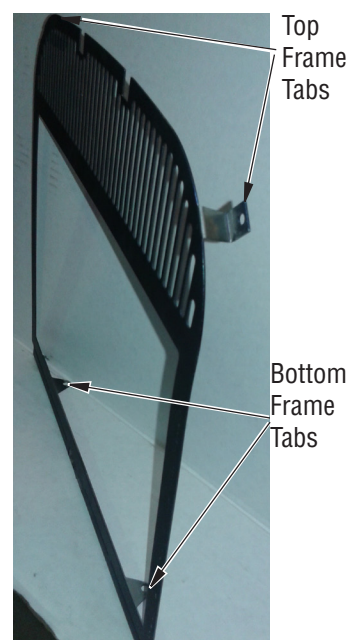


Figure 23 - Frame Barrier



Figure 22 - Installing Barrier Into Cast Iron Stove Body

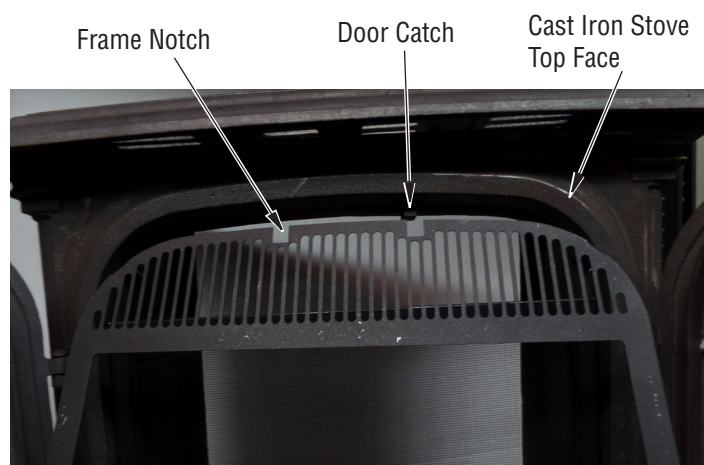


Figure 24 - Installing Frame Into Cast Iron Stove Body

INSTALLATION *Continued*

BURNER SYSTEM ASSEMBLY

INSTALLING B-VENT BURNER SYSTEM INTO STOVE BODY

1. Carefully lift burner system and place into stove body from the rear of stove.
2. Discard center grate top of stove and replace with center grate top provided with Cast Iron Stove Body.

INSTALLING REAR COVER

1. Place rear cover behind stove body. Rear cover will rest on the bottom ledge of the stove body.
2. Using hex screws provided, attach rear cover to back of stove body. See Figure 26. **IMPORTANT:** This rear cover must be securely in place before venting pipes are installed.
3. Open lower door panel. The valve is attached to the underside of the burner system assembly.
4. Connect or reconnect gas supply, see [Connecting Stove/Burner System to Gas Supply](#) on page 16.

⚠ WARNING: A qualified installer or service person must connect burner system to gas supply. Follow all local codes.

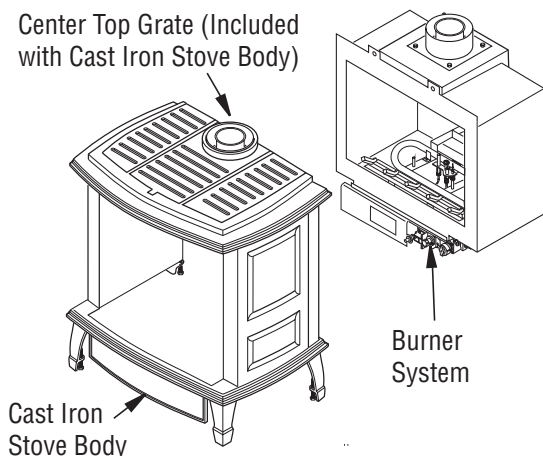


Figure 25 - Installing Burner System Into Cast Iron Stove Body

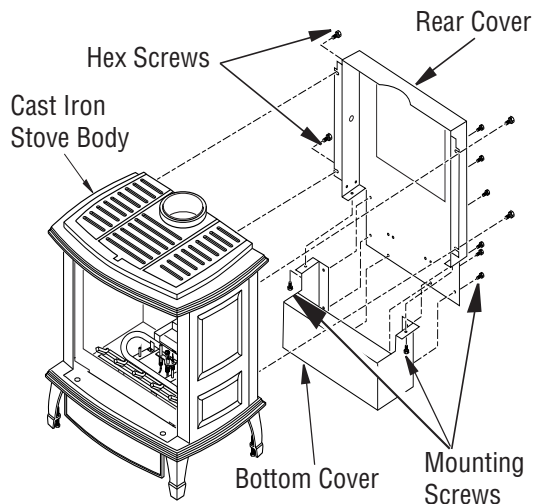


Figure 26 - Attaching Rear Cover and Bottom Cover from Stove Body

REMOVING/REPLACING GLASS DOOR

⚠ WARNING



**HOT GLASS WILL CAUSE BURNS.
DO NOT TOUCH GLASS UNTIL COOLED.
NEVER ALLOW CHILDREN TO TOUCH GLASS.**

⚠ CAUTION: Do not operate this burner system with a broken glass door panel or without the glass door panel securely in place. For replacement part information see [Replacement Parts](#), page 29.

1. Use reverse directions for installing rear cover. Remove stove insert from cast body.
2. Remove screws from 2 tabs at top of glass door while holding door securely keeping it from falling forward (see Figure 27).
3. Grasp door by both sides and ease it upward off of lower bracket (see Figure 27).
4. To replace glass door, follow the above instructions in reverse.

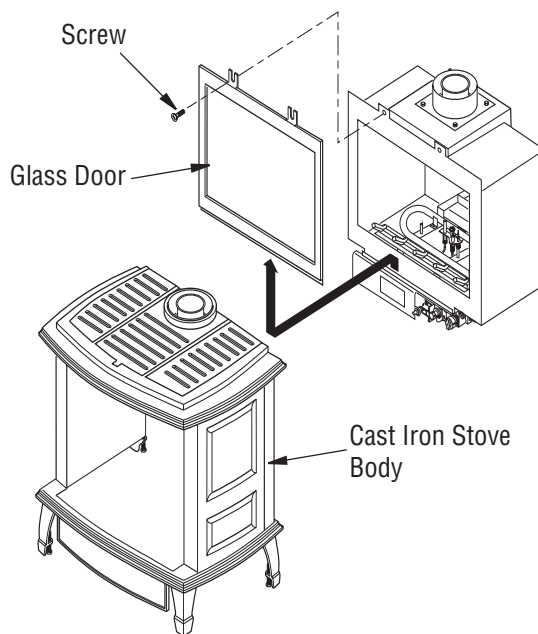


Figure 27 - Removing Glass Door from Burner System

INSTALLATION *Continued*

INSTALLING LOGS, VOLCANIC STONE, AND GLOWING EMBERS

⚠ WARNING: Failure to position the parts in accordance with these diagrams or failure to use only parts specifically approved with this burner system may result in property damage or personal injury.

It is very important to install these logs exactly as instructed in Figures 28 through 32. Do not modify logs. Only use logs supplied with freestanding burner system. Do not use if any log(s) are broken (see [Replacement Parts](#), page 29).

1. Remove glass door. See [Removing/Replacing Glass Door](#), page 19.
2. Place log #1 (back log) on top of grate. Make sure notches in the bottom of log fit over the grate (see Figure 28).
3. Rest log #2 (large front log) on the pins on the front part of grate (see Figure 29).
4. Place log #3 (crossover log) onto rear and front logs. Make sure it is seated properly into notch on front log and over the raised triangular portion of rear log as shown in Figure 30.
5. Place log #4 (small log) onto front left part of grate making sure the notches fits over the prong of the grate. See Figure 31.

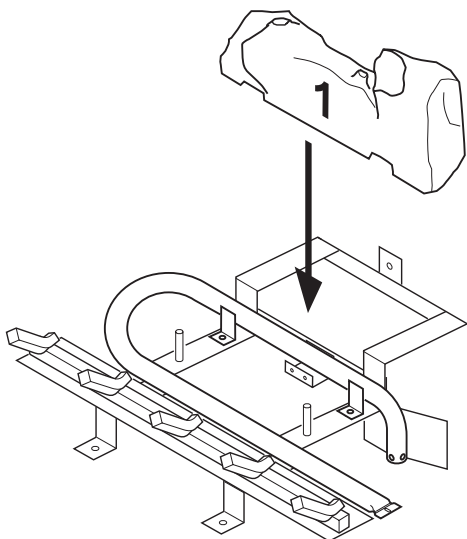


Figure 29 - Installing Log No. 1

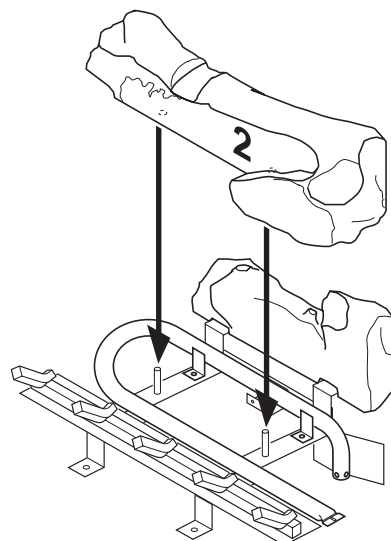


Figure 29 - Installing Log No. 2

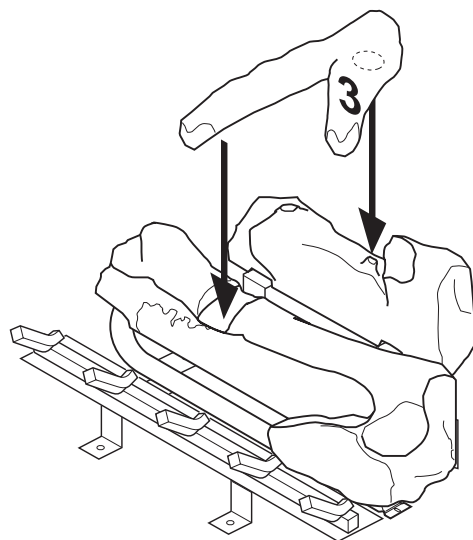


Figure 30 - Installing Log No. 3

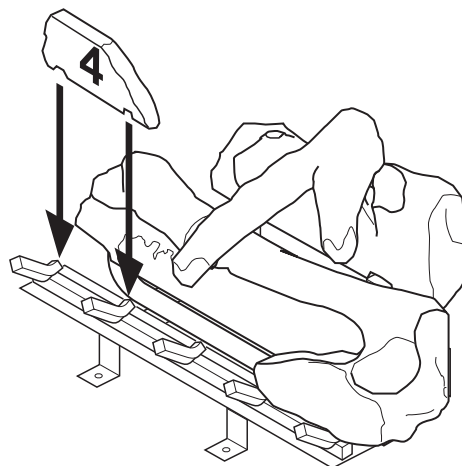


Figure 31 - Installing Log No. 4

INSTALLATION *Continued*

- Volcanic Stone may be placed along sides and front inside burner system bottom. This may not be visible when you have replaced the front of stove. It is not necessary to use all of the Volcanic Stone provided.

NOTICE: Do not put Volcanic Stone on burner or under burner. Placing Volcanic Stone on burner could cause performance problems.

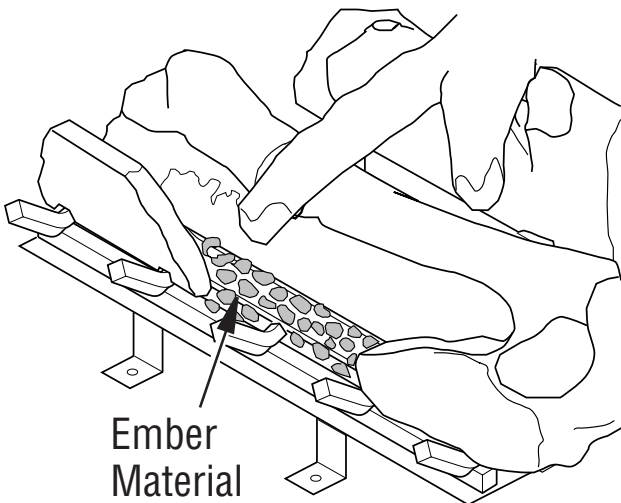


Figure 32 - Placing Ember Material on Burner

- Pull ember material apart into pieces no larger than a dime. Place these pieces loosely and sparingly directly onto the exposed section of front burner and along space between burner and grate prongs (see Figure 32). This will create the glowing ember appearance as the flame touches the ember material. Do not block air slots by using too much ember material in one area. It is not necessary to use all of the ember material provided.
- Replace glass door. See Removing/Replacing Glass Door, page 19.

WARNING: The glass door must be securely in place before running this burner system. Do not run this burner system if glass is missing or broken.



OPERATION

**FOR YOUR SAFETY
READ BEFORE LIGHTING**



⚠ WARNING: If you do not follow these instructions exactly, a fire or explosion may result causing property damage, personal injury or loss of life.

- This appliance is equipped with an ignition device which automatically lights the pilot. Do not light pilot by hand.
- BEFORE LIGHTING** smell all around the appliance area for gas. Be sure to smell next to the floor because some gas is heavier than air and will settle on the floor.
WHAT TO DO IF YOU SMELL GAS
 - Do not try to light any appliance.
 - Do not touch any electric switch; do not use any phone in your building.
 - Immediately call your gas supplier from a neighbor's phone. Follow the gas supplier's instructions.
- Use only your hand to push in or turn the gas control knob. Never use tools. If the knob will not push in or turn by hand, don't try to repair it, call a qualified service technician. Force or attempted repair may result in a fire or explosion.
- Do not use this appliance if any part has been under water. Immediately call a qualified service technician to inspect the appliance and to replace any part of the control system and any gas control which has been under water.

**LIGHTING
INSTRUCTIONS**

- STOP! Read the safety information above.
- Set ON/OFF switch located on rear cover to OFF.
- Open lower panel.
- Turn off all electric power to the burner system.
- Push in gas control knob slightly and turn clockwise  to OFF.
- Wait five (5) minutes to clear out any gas. Then smell for gas, including near the floor. If you smell gas, STOP! Follow "B" in the safety information above. If you don't smell gas, go to the next step.
- The pilot is located by the main burner and should not require accessing for lighting.
- Turn knob on gas control counterclockwise  to PILOT.
- Push in control knob all the way and hold. Immediately light the pilot by repeatedly pressing the piezo spark igniter until a flame appears. Continue to hold for about one (1) minute after the pilot is lit. Release knob and it will pop back. Pilot should remain lit. If it goes out, repeat steps 5 through 8.
 - If knob does not pop up when released, stop and immediately call your service technician or gas supplier.
 - If the pilot will not stay lit after several tries, turn the gas control knob to OFF and call your service technician or gas supplier.

OPERATION *Continued*

10. Turn gas control counterclockwise  to ON.
11. Turn on all electric power to the burner system.
12. Turn the ON/OFF switch to ON position.
13. Close lower panel.
14. To leave pilot lit and shut off burners only, turn control knob clockwise  to the PILOT position or set selector switch in the OFF position.

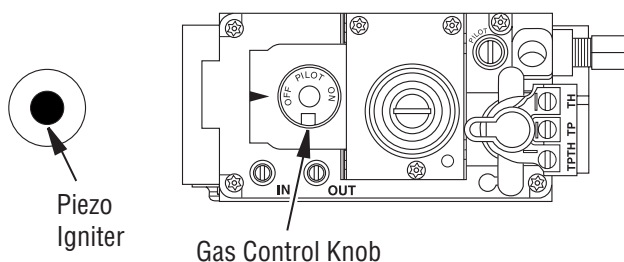


Figure 33 - Control Valve

OPTIONAL REMOTE OPERATION

Note: All remote control accessories must be purchased separately (see [Accessories](#), page 29). Follow instructions included with the remote control.


NOTICE: You must light the pilot before using the hand-held remote control unit. See [Lighting Instructions](#), page 21.

After lighting, let pilot flame burn for about one minute. Turn control knob to ON position. Adjust flame adjustment knob anywhere between HI and LO. Slide the selector switch to the REMOTE position (see Figure 34).

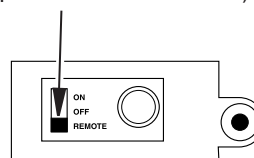
Note: The burner may light if hand-held remote was on when selector switch was last turned off. You can now turn the burner on and off with the hand-held remote control unit.

IMPORTANT: Do not leave the selector switch in the REMOTE or ON position when the pilot is not lit. This will drain the battery.

TO TURN OFF GAS TO APPLIANCE

1. Set ON/OFF switch located on rear cover to OFF.
- 2a. Open lower panel.
- 2b. If Using Optional Hand-Held Remote: Set selector switch in the OFF position to prevent draining battery.
3. Turn off all electrical power to the appliance if service is to be performed.
4. Push in gas control knob slightly and turn clockwise  to OFF.
5. Close lower panel.
6. Close equipment shutoff valve (see Figure 17, page 17).

Selector Switch in Remote Position (Optional Remote Control)



Control Knob in On Position

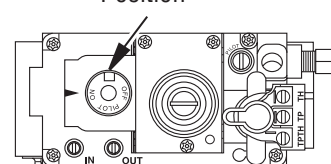


Figure 34 - Setting the Selector Switch, Control Knob, and Flame Adjustment Knob for Remote Operation

MANUAL LIGHTING PROCEDURE

1. Remove glass door (see [Removing/Replacing Glass Door](#), page 19).
2. Follow steps 1 through 8 under [Lighting Instructions](#), page 21.
3. Press control knob and light pilot with match.
4. Keep control knob pressed in for 30 seconds after lighting pilot. After 30 seconds, release control knob. Now follow steps 10 through 13 of [Lighting Instructions](#), page 21.
5. Replace glass door (see [Removing/Replacing Glass Door](#), page 19).

INSPECTING BURNERS

Check pilot flame pattern and burner flame patterns often.

PILOT ASSEMBLY

The pilot assembly is factory preset for the proper flame height. Alterations may have occurred during shipping and handling. Call a qualified service person to readjust the pilot if necessary.

The height of the thermopile must be $3/8"$ to $1/2"$ above the pilot flame as shown in Figure 35. The flame from the pilot burner must extend beyond the thermopile.

If your pilot assembly does not meet these requirements:

- turn burner system off (see [To Turn Off Gas to Appliance](#), page 22)
- see [Troubleshooting](#), page 25

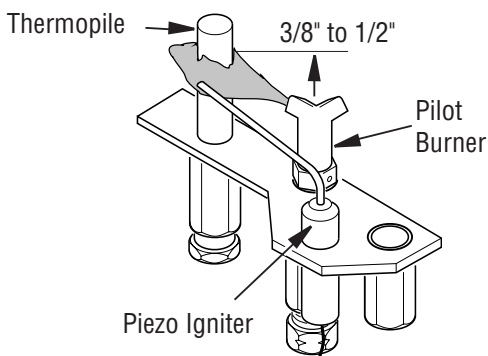


Figure 35 - Pilot Assembly

BURNER FLAME PATTERN

Burner flames will be steady; not lifting or floating. Flame patterns will be different from unit to unit and will vary depending on installation type and weather conditions.

If the vent configuration is installed incorrectly, the flames will lift or "ghost". This can be dangerous. Inspect the flames after installation to ensure proper installation and performance.

Figure 36 shows a typical flame pattern. If burner flame pattern differs from that described:

- turn burner system off (see [To Turn Off Gas to Appliance](#), page 22)
- see [Troubleshooting](#), page 25.

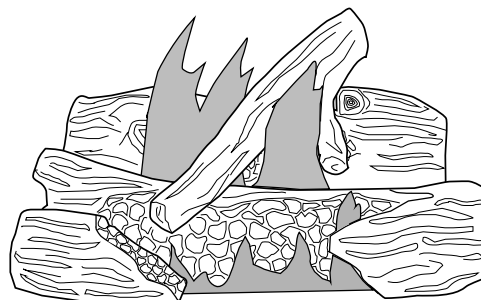


Figure 36 - Typical Flame Pattern

CLEANING AND MAINTENANCE

⚠ WARNING: Turn off burner system and let cool before cleaning.

⚠ CAUTION: You must keep control areas, burners, and circulating air passageways of stove with burner system clean. Inspect these areas of stove and burner system before each use. Have burner system inspected yearly by a qualified service person. Burner system may need more frequent cleaning due to excessive lint from carpeting, bedding material, pet hair, etc.

GLASS DOOR

⚠ WARNING: Handle glass door panel with care. Do not strike, slam or otherwise abuse glass. Do not operate burner system with the glass door removed, cracked, or broken.

⚠ WARNING: Do not use abrasive cleaners as this may damage glass. Use a non-abrasive household glass cleaner to clean glass. Do not clean glass when hot.

Glass must be cleaned periodically. During start-up it is normal for condensation to form on the inside of the glass causing lint, dust, and other airborne particles to cling to the glass surface. During initial start-up a slight film may form on the glass due to paint curing. The glass should be cleaned several times with a non-ammonia, non-abrasive household cleaner and warm water after the first two weeks of operation. Thereafter, clean the glass two or three times during each heating season, depending on the usage and circumstances present. Refer to [Removing/Replacing Glass Door](#) on page 19 of this manual when removing glass door for cleaning.

⚠ WARNING: Only parts supplied by the manufacturer should be used when replacing broken or damaged glass door panel (see [Replacement Parts](#), page 29). This glass door panel is a complete unit. No substitute materials may be used.

⚠ CAUTION: Wear gloves and safety glasses while handling or removing broken glass. Do not remove if glass is hot. Keep children and pets away from glass.

If glass has been broken, carefully remove glass door (see [Removing/Replacing Glass Door](#), page 19). Vacuum all glass pieces with a shop vac. Use only the ceramic glass door replacement intended for this burner system (see [Replacement Parts](#), page 29 for details on ordering). No substitutions may be made. See [Removing/Replacing Glass Door](#), page 19 for instructions for replacing glass door.

⚠ WARNING: Do not operate burner system with the glass door removed, cracked, or broken.

PILOT AND BURNERS

- Remove ember material before cleaning burners and replace when cleaning is complete.
- Burner and controls should be cleaned with compressed air to remove dust, dirt, or lint.
- Use a vacuum cleaner or small, soft bristled brush to remove excess dust, dirt, or lint.

LOGS

- If you remove logs for cleaning, refer to [Installing Logs, Volcanic Stone, and Glowing Embers](#), page 20, to properly replace logs.
- Use a vacuum cleaner to remove any carbon build-up on logs.
- Replace log(s) if broken. See [Replacement Parts](#) on page 29.
- Replace ember material periodically as needed. See [Replacement Parts](#) on page 29.

VENTING SYSTEM

Conduct annual inspection of the venting system following these guidelines:

1. Check areas of venting system that are exposed to the weather for corrosion (rust spots or streaks and, in extreme cases, holes). Have these items replaced immediately by a qualified service person.
2. Remove the vent cap and shine a flashlight into the vent. Remove any foreign material.
3. Check for evidence of excessive condensation. Continuous condensation can cause corrosion of caps, pipes, and fittings and can be caused by having excessive lateral runs, too many elbows, or exterior portions of the system being exposed to cold weather.
4. Inspect joints to verify that no pipe section or fitting has been disturbed and loosened. Check mechanical supports such as wall straps for rigidity.

TROUBLESHOOTING

⚠ WARNING: Turn off stove and let cool before servicing. Only a qualified service person should service and repair stove.

⚠ CAUTION: Never use a wire, needle or similar object to clean ODS/pilot. This can damage ODS/pilot unit.

Note: All troubleshooting items are listed in order of operation.

OBSERVED PROBLEM	POSSIBLE CAUSE	REMEDY
When igniter button is pressed, there is no spark at pilot.	<ol style="list-style-type: none"> 1. Igniter electrode not connected to igniter cable. 2. Igniter cable pinched or wet. 3. Piezo igniter nut is loose. 4. Broken igniter cable. 5. Bad piezo igniter. 6. Igniter electrode broken. 7. Igniter electrode positioned wrong. 	<ol style="list-style-type: none"> 1. Reconnect igniter cable. 2. Free igniter cable if pinched by any metal or tubing. Keep igniter cable dry. 3. Tighten nut holding piezo igniter. Nut is located behind the mounting bracket. 4. Replace igniter cable. 5. Replace piezo igniter. 6. Replace pilot assembly. 7. Replace pilot assembly.
When igniter button is pressed, there is spark at pilot but no ignition.	<ol style="list-style-type: none"> 1. Gas supply turned off or equipment shutoff valve closed. 2. Control knob not in PILOT position. 3. Control knob not pressed in while in PILOT position. 4. Air in gas lines when installed. 5. Depleted gas supply (propane/LP models only). 6. Pilot is clogged. 7. Gas regulator setting is not correct. 	<ol style="list-style-type: none"> 1. Turn on gas supply or open equipment shutoff valve. 2. Turn control knob to PILOT position. 3. Press in control knob while in PILOT position. 4. Continue holding down control knob. Repeat igniting operation until air is removed. 5. Contact local propane/LP gas company. 6. Clean pilot (see Cleaning and Maintenance, page 24) or replace pilot assembly. 7. Replace gas control.
Pilot lights but flame goes out when control knob is released.	<ol style="list-style-type: none"> 1. Control knob not fully pressed in. 2. Control knob not pressed in long enough. 3. Equipment shutoff valve not fully open. 4. Pilot flame not touching thermocouple, which allows thermocouple to cool, causing pilot flame to go out. This problem could be caused by one or both of the following: <ol style="list-style-type: none"> A) Low gas pressure B) Dirty or partially clogged pilot 5. Thermocouple connection loose at control valve 6. Thermocouple damaged. 7. Control valve damaged. 	<ol style="list-style-type: none"> 1. Press in control knob fully 2. After pilot lights, keep control knob pressed in 30 seconds 3. Fully open equipment shutoff valve 4. <ol style="list-style-type: none"> A) Contact local gas company. B) Clean pilot (see Cleaning and Maintenance, page 24) or replace pilot assembly. 5. Hand tighten until snug, then tighten 1/4 turn more. 6. Replace pilot assembly. 7. Replace control valve.
Burner does not light after pilot is lit.	<ol style="list-style-type: none"> 1. Burner orifice clogged. 2. Inlet gas pressure is too low. 3. Thermopile leads disconnected or improperly connected. 4. Thermopile is defective. 	<ol style="list-style-type: none"> 1. Clean burner (see Cleaning and Maintenance, page 24) or replace burner orifice. 2. Contact local propane/LP or natural gas company. 3. Reconnect leads (see Wiring Diagram, page 28). 4. Replace thermopile.

TROUBLESHOOTING *Continued*

OBSERVED PROBLEM	POSSIBLE CAUSE	REMEDY
Burner does not light after pilot is lit.	<ol style="list-style-type: none"> 1. Burner orifice clogged. 2. Inlet gas pressure is too low. 3. Thermopile leads disconnected or improperly connected. 4. Thermopile is defective. 	<ol style="list-style-type: none"> 1. Clean burner (see Cleaning and Maintenance, page 24) or replace burner orifice. 2. Contact local propane/LP or natural gas company. 3. Reconnect leads (see Wiring Diagram, page 28). 4. Replace thermopile.
Delayed ignition burner.	<ol style="list-style-type: none"> 1. Manifold pressure is too low. 2. Burner porting or orifice clogged. 	<ol style="list-style-type: none"> 1. Contact local propane/LP or natural gas company. 2. Clean burner (see Cleaning and Maintenance, page 24) or replace burner orifice.
Burner backfiring during combustion.	<ol style="list-style-type: none"> 1. Burner orifice is clogged or damaged. 2. Damaged burner. 3. Gas regulator defective. 	<ol style="list-style-type: none"> 1. Clean burner (see Cleaning and Maintenance, page 24) or replace burner orifice. 2. Replace damaged burner. 3. Replace gas control.
Slight smoke or odor during initial operation.	<ol style="list-style-type: none"> 1. Residues from manufacturing processes and logs curing. 	<ol style="list-style-type: none"> 1. Problem will stop after a few hours of operation.
Stove produces a whistling noise when burner is lit.	<ol style="list-style-type: none"> 1. Air in gas line. 2. Dirty or partially clogged burner orifice. 	<ol style="list-style-type: none"> 1. Operate burner until air is removed from line. Have gas line checked by local propane/LP or natural gas company. 2. Clean burner (see Cleaning and Maintenance, page 24) or replace burner orifice.

TROUBLESHOOTING *Continued*

- ⚠ WARNING: If you smell gas**
- Shut off gas supply.
 - Do not try to light any appliance.
 - Do not touch any electrical switch; do not use any phone in your building.
 - Leave the building immediately
 - Immediately call your gas supplier from a neighbor's phone. Follow the gas supplier's instructions.
 - If you cannot reach your gas supplier, call the fire department.

IMPORTANT: Operating burner system where impurities in air exist may create odors. Cleaning supplies, paint, paint remover, cigarette smoke, cements and glues, new carpet or textiles, etc., create fumes. These fumes may mix with combustion air and create odors. These odors will disappear over time.

OBSERVED PROBLEM	POSSIBLE CAUSE	REMEDY
Glass soots.	<ol style="list-style-type: none"> 1. Flame impingement on logs. 2. Debris around burner air mixer. 3. Improper vent configuration. 	<ol style="list-style-type: none"> 1. Adjust the log set so that the flame does not excessively impinge on it. 2. Inspect the opening at the base of the burner to see that it is NOT packed with any type of material. 3. Follow venting configuration instructions on pages 10 thru 14.
Burner system produces a clicking/ticking noise just after burners are lit or shut off.	<ol style="list-style-type: none"> 1. Metal expanding while heating or contracting while cooling. 	<ol style="list-style-type: none"> 1. This is normal. If noise is excessive, contact qualified service person.
Remote does not function.	<ol style="list-style-type: none"> 1. Battery is not installed or battery power is low. 	<ol style="list-style-type: none"> 1. Replace batteries in receiver and remote control.
Burner system produces unwanted odors.	<ol style="list-style-type: none"> 1. Gas leak. See Warning statement above. 	<ol style="list-style-type: none"> 1. Locate and correct all leaks (see Checking Gas Connections, page 16).
Burner system shuts off in use.	<ol style="list-style-type: none"> 1. High or gusting winds. 2. Low line pressure. 3. Pilot is partially clogged. 4. Glass too loose and air tight gasket leaks in corners after usage. 5. Bad thermopile. 6. Improper vent cap installation. 	<ol style="list-style-type: none"> 1. Burner system has been tested for up to 40 mph winds. However, extreme conditions may occur. See Lighting Instructions, page 21. 2. Contact local propane/LP or natural gas company. 3. Clean pilot (see Cleaning and Maintenance, page 24). 4. Tighten glass. 5. Replace faulty component. 6. Check for proper installation and freedom from debris or blockage.
Gas odor even when control knob is in OFF position.	<ol style="list-style-type: none"> 1. Gas leak. See Warning statement above. 2. Control valve defective. 	<ol style="list-style-type: none"> 1. Locate and correct all leaks (see Checking Gas Connections, page 16). 2. Replace control valve.
Gas odor during combustion.	<ol style="list-style-type: none"> 1. Gas leak. See Warning statement above. 	<ol style="list-style-type: none"> 1. Locate and correct all leaks (see Checking Gas Connections, page 16).
Dark residue on logs or inside of burner system.	<ol style="list-style-type: none"> 1. Improper log placement. 2. Air holes at burner inlet blocked. 3. Burner flame holes blocked. 4. Improper vent configuration 	<ol style="list-style-type: none"> 1. Properly locate logs (see Installing Logs, Volcanic Stone, and Glowing Embers, page 20). 2. Clean out air holes at burner inlets. Periodically repeat as needed. 3. Remove blockage or replace burner. 4. Follow venting configuration instructions on pages 10 thru 14.

SPECIFICATIONS

BXI2518MN

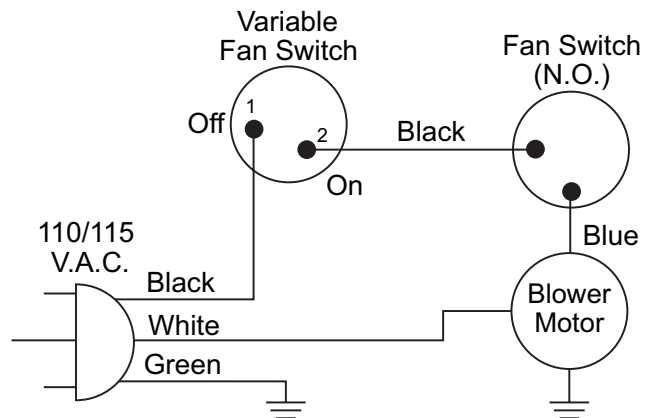
- Rating: 30,000 Btu/Hr
- Gas Type: Natural Gas
- Manifold Pressure: 3.5" W.C.
- Minimum Inlet Supply Pressure: 5." W.C.
- Dimensions, (H x W x D):
27" x 21 1/2" x 18" (68.6 x 54.6 x 45.7 cm)

BXI2518MP

- Rating: 28,000 Btu/Hr
- Gas Type: Propane/LP Gas
- Manifold Pressure: 10" W.C.
- Minimum Inlet Supply Pressure: 11" W.C.
- Dimensions, (H x W x D):
27" x 21 1/2" x 18" (68.6 x 54.6 x 45.7 cm)

WIRING DIAGRAM

⚠ CAUTION: Label all wires prior to disconnection when servicing controls. Wiring errors can cause improper and dangerous operation. Verify proper operation after servicing.



SERVICE HINTS

When Gas Pressure Is Too Low

- pilot will not stay lit
- burner will have delayed ignition
- fireplace will not produce specified heat
- for propane/LP unit, propane/LP gas supply may be low

You may feel your gas pressure is too low. If so, contact your local gas supplier.

TECHNICAL SERVICE

You may have further questions about installation, operation, or troubleshooting. Please contact your IHP dealer for any questions or concerns. When contacting your dealer please have your model and serial numbers of your fireplace ready. You can also visit our web site at Superiorfireplaces.US.com.

REPLACEMENT PARTS

See Pages 30 to 31 for a complete replacement parts list. Use only parts supplied from the manufacturer.

Normally, all parts should be ordered through your IHP distributor or dealer. Parts will be shipped at prevailing prices at time of order.

When ordering repair parts, always give the following information:

1. The model number of the stove.
2. The serial number of the stove.
3. The part number.
4. The description of the part.
5. The quantity required.
6. The installation date of the stove.

If you encounter any problems or have any questions concerning the installation or application of this fireplace, please contact your dealer.

IHP


1508 Elm Hill Pike, Suite 108

Nashville, TN 37210

Visit us at Superiorfireplaces.US.com

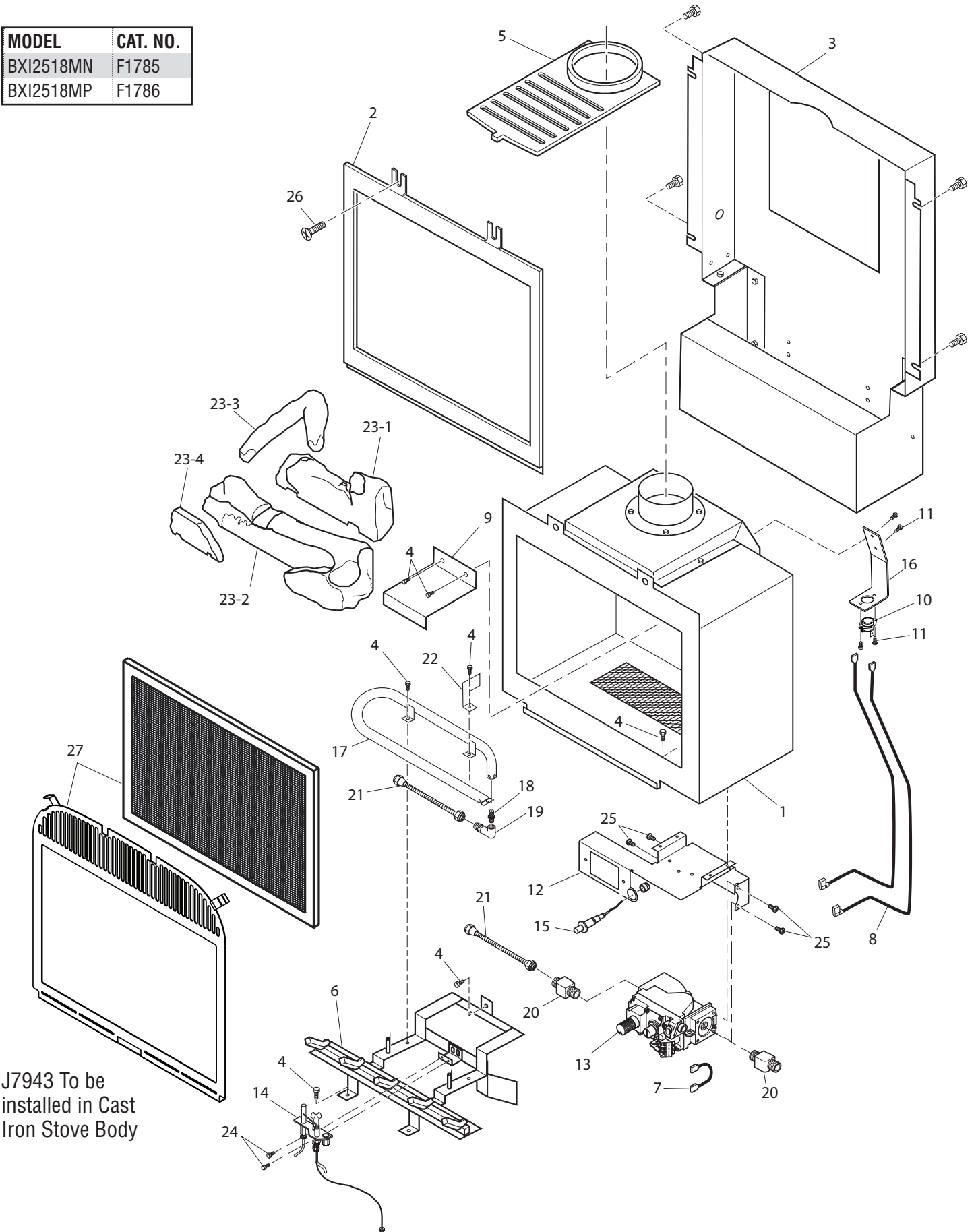
ACCESSORIES

Purchase these accessories thru your IHP distributor or dealer.

CAT NO.	MODEL	DESCRIPTION	
WALL MOUNTED ON/OFF SWITCH			(Not Shown)
For all models. Allows burner system to be turned on and off with a wall switch.			
F0245	GWMS2	On-Off Wall Switch Kit	
PROPANE/NATURAL GAS CONVERSION KIT			(Not Shown)
Allows burner system to be converted from propane/LP gas to natural gas or natural gas to propane/LP gas.			
J2005	NCBV-PS	Kit Stove insert -LP to NG	
J2115	PCBV-NS	Kit Stove Insert, NG TO LP	
RECEIVER AND HAND-HELD REMOTE CONTROL KIT			
For all Remote-Ready Models. Allows the gas log stove to be turned on and off by using a hand-held remote control.			
F1077	MRC	Kit, On-Off Remote Control	

PARTS

MODEL	CAT. NO.
BX12518MN	F1785
BX12518MP	F1786



J7943 To be installed in Cast Iron Stove Body

PARTS

MODELS BXI2518MN (F1785), BXI2518MP (F1786)

This list contains replaceable parts used in your burner system. When ordering parts, follow the instructions listed under [Replacement Parts](#) on page 29 of this manual.

⚠ WARNING: Contact an IHP dealer to obtain any of these parts. Never use substitute materials not approved by IHP. Use of non-approved parts can result in poor performance and safety hazards.

KEY NO.	CATALOG NO.	DESCRIPTION	QTY.
1	**	Firebox Assembly	1
2	J3930	Assembly, Frame With Glass	1
3	J3988	Asm, Rear Cover	1
4	J1960	Screw, HWH AB 10-16X.50,Blk.Ox	19
5	J4003	Top, Cast Iron Stove (Bv) Amit	1
6	J3983	Weldment, Grate Support	1
7	J3720	Wire, Jumper	1
8	J3797	Wire, Harness	1
9	J4023	Baffle, Firebox	1
10	J6848	Switch, High Limit (350D)GL851	1
11	J1959	Screw, Hwh Ab 6-20 X .50	4
12	J3917	Bracket, Valve	1
13	J6845	Valve, Mill SIT 820618 GL851	1
	J6846	Valve, Mill SIT 820617 GL851	1
14	J6858	Assembly, Pilot, Natural (BV)	1
	J6863	Assembly, Pilot, Propane	1
15	J3546	Ignitor, Piezo (Snap-In)	1
16	J4024	Bracket, Spill Switch	1
17	J6866	Burner, Natural	1
	J6867	Burner, Propane	1
18	J3887	Orifice #39 (.0995 Dia.)	1
	J3888	Orifice #53 (.0595 Dia.)	1
19	J6851	Fitting, Brass Elbow	1
20	J6843	Brass Fitting	2
21	J3727	Connector, Flexible 12"	2
22	J3915	Deflector, Air	1
23	J3919	Log Set, Vanguard	1
23-1	J3926	Rear, Log	1
23-2	J3927	Front Log	1
23-3	J3928	Crossover Log	1
23-4	J3929	Log Piece	1
24	J3576	Screw, PPH AB 8-18 X .38	2
25	J1961	Screw, HX SLT WSR 10-32 X 3/8	4
26	J1963	Screw, Hex SLT WSR 1/4-20X1.50	2
27	J7943	Barrier Kit	1
PARTS AVAILABLE - NOT SHOWN			
	J1292	Assembly, Volcanic Stone	1
	J7122	Embers/Bag Assembly (1 oz.)	1

**Not a field replaceable part.

Innovative Hearth Products Superior® Brand Gas Fireplaces, Stoves and Inserts 20 Year Limited Warranty

THE WARRANTY

Innovative Hearth Products ("IHP") 20 Year Limited Warranty warrants your Superior® Brand gas fireplace, Stove or Insert ("Product") to be free from defects in materials and workmanship at the time of manufacture. The Product body and firebox carry the 20 Year Limited Warranty. Ceramic glass carries the 20 Year Limited Warranty against thermal breakage only. After installation, if covered components manufactured by IHP are found to be defective in materials or workmanship during the 20 Year Limited Warranty period and while the Product remains at the site of the original installation, IHP will, at its option, repair or replace the covered components. If repair or replacement is not commercially practical, IHP will, at its option, refund the purchase price or wholesale price of the IHP product, whichever is applicable. IHP will also pay IHP prevailing labor rates, as determined in its sole discretion, incurred in repairing or replacing such components for up to five years. THERE ARE EXCLUSIONS AND LIMITATIONS to this 20 Year Limited Warranty as described herein.

COVERAGE COMMENCEMENT DATE

Warranty coverage begins on the date of purchase. In the case of new home construction, warranty coverage begins on the date of first occupancy of the dwelling or six months after the sale of the Product by an independent IHP dealer/distributor, whichever occurs earlier. The warranty shall commence no later than 24 months following the date of product shipment from IHP, regardless of the installation or occupancy date.

EXCLUSIONS AND LIMITATIONS

This 20 Year Limited Warranty applies only if the Product is installed in the United States or Canada and only if operated and maintained in accordance with the printed instructions accompanying the Product and in compliance with all applicable installation and building codes and good trade practices.

This warranty is non-transferable and extends to the original owner only. The Product must be purchased through a listed supplier of IHP and proof of purchase must be provided. The Product body and firebox carry the 20 Year Limited Warranty from the date of installation. Vent components, trim components and paint are excluded from this 20 Year Limited Warranty. The following do not carry the 20 Year Limited Warranty but are warranted as follows:

- Burner** – Repair or replacement for one year from the date of installation
- Gas components** – Repair or replacement for one year from the date of installation
- Gaskets** – Repair or replacement for one year from the date of installation
- Logs** – Replacement for one year from the date of installation against thermal breakage only
- Optional blowers & remote controls** – Repair or replacement for one year from the date of installation
- Optional glass doors** – Repair or replacement for 90 days from the date of installation
- Tempered glass** - Replacement for one year from the date of installation
- Labor coverage** – Prevailing IHP labor rates apply for the warranty period of the component

Parts not otherwise listed carry a 90 day warranty from the date of installation.

Whenever practicable, IHP will provide replacement parts, if available, for a period of 10 years from the last date of manufacture of the Product.

IHP will not be responsible for: (a) damages caused by normal wear and tear, accident, riot, fire, flood or acts of God; (b) damages caused by abuse, negligence, misuse, or unauthorized alteration or repair of the Product affecting its stability or performance (The Product must be subjected to normal use. The Product is designed to burn either natural or propane gas only. Burning conventional fuels such as wood, coal or any other solid fuel will cause damage to the Product, will produce excessive temperatures and could result in a fire hazard.); (c) damages caused by failing to provide proper maintenance and service in accordance with the instructions provided with the Product; (d) damages, repairs or inefficiency resulting from faulty installation or application of the Product.

IHP is not responsible for inadequate fireplace system draft caused by air conditioning and heating systems, mechanical ventilation systems, or general construction conditions which may generate negative pressure in the room in which the appliance is installed. Additionally IHP assumes no responsibility for drafting conditions caused by venting configurations, adjoining trees or buildings, adverse wind conditions or unusual environmental factors and conditions that affect the operation of the unit.

This 20 Year Limited Warranty covers only parts and labor as provided herein. In no case shall IHP be responsible for materials, components or construction, which are not manufactured or supplied by IHP or for the labor necessary to install, repair or remove such materials, components or construction. Additional utility bills incurred due to any malfunction or defect in equipment are not covered by this warranty. All replacement or repair components will be shipped F.O.B. from the nearest stocking IHP factory.

LIMITATION ON LIABILITY

It is expressly agreed and understood that IHP's sole obligation and the purchaser's exclusive remedy under this warranty, under any other warranty, expressed or implied, or in contract, tort or otherwise, shall be limited to replacement, repair, or refund, as specified herein.

In no event shall IHP be liable for any incidental or consequential damages caused by defects in the Product, whether such damage occurs or is discovered before or after repair or replacement, and whether such damage is caused by IHP's negligence. IHP has not made and does not make any representation or warranty of fitness for a particular use or purpose, and there is no implied condition of fitness for a particular use or purpose.

IHP makes no expressed warranties except as stated in this 20 Year Limited Warranty. The duration of any implied warranty is limited to the duration of this expressed warranty.

No one is authorized to change this 20 Year Limited Warranty or to create for IHP any other obligation or liability in connection with the Product. Some states and provinces do not allow the exclusion or limitation of incidental or consequential damages, so the above limitations or exclusions may not apply to you. The provisions of this 20 Year Limited Warranty are in addition to and not a modification of or subtraction from any statutory warranties and other rights and remedies provided by law.

INVESTIGATION OF CLAIMS AGAINST WARRANTY

IHP reserves the right to investigate any and all claims against this 20 Year Limited Warranty and to decide, in its sole discretion, upon the method of settlement.

To receive the benefits and advantages described in this 20 Year Limited Warranty, the appliance must be installed and repaired by a licensed contractor approved by IHP.

Contact IHP at the address provided herein to obtain a listing of approved dealers/distributors. **IHP shall in no event be responsible for any warranty work done by a contractor that is not approved without first obtaining IHP's prior written consent.**

HOW TO REGISTER A CLAIM AGAINST WARRANTY

In order for any claim under this warranty to be valid, you must contact the IHP dealer/distributor from which you purchased the product. If you cannot locate the dealer/distributor, then you must notify IHP in writing. IHP must be notified of the claimed defect in writing within 90 days of the date of failure. Notices should be directed to the IHP Warranty Department at 1508 Elm Hill Pike, Suite 108; Nashville, TN 37210 or visit our website at WWW.SUPERIORFIREPLACES.US.COM.

Superiorfireplaces.US.com

Record the following important information about your fireplace:

Fireplace model number	
Fireplace serial number	
Date fireplace was Installed	
Type of gas fireplace uses	
Dealer name	



P127116 01

Innovative Hearth Products reserves the right to make changes at any time, without notice, in design, materials, specifications, prices and also to discontinue colors, styles and products. Consult your local distributor for fireplace code information.

Printed in U.S.A. © 2013 Innovative Hearth Products LLC

P/N 127116-01 Rev. C 03/2016



INNOVATIVE HEARTH PRODUCTS

1508 Elm Hill Pike, Suite 108 • Nashville, TN 37210