

**2013+ R Nine T (WS-658F)  
FRONT SEAT INSTALLATION INSTRUCTIONS**

**! IMPORTANT:**

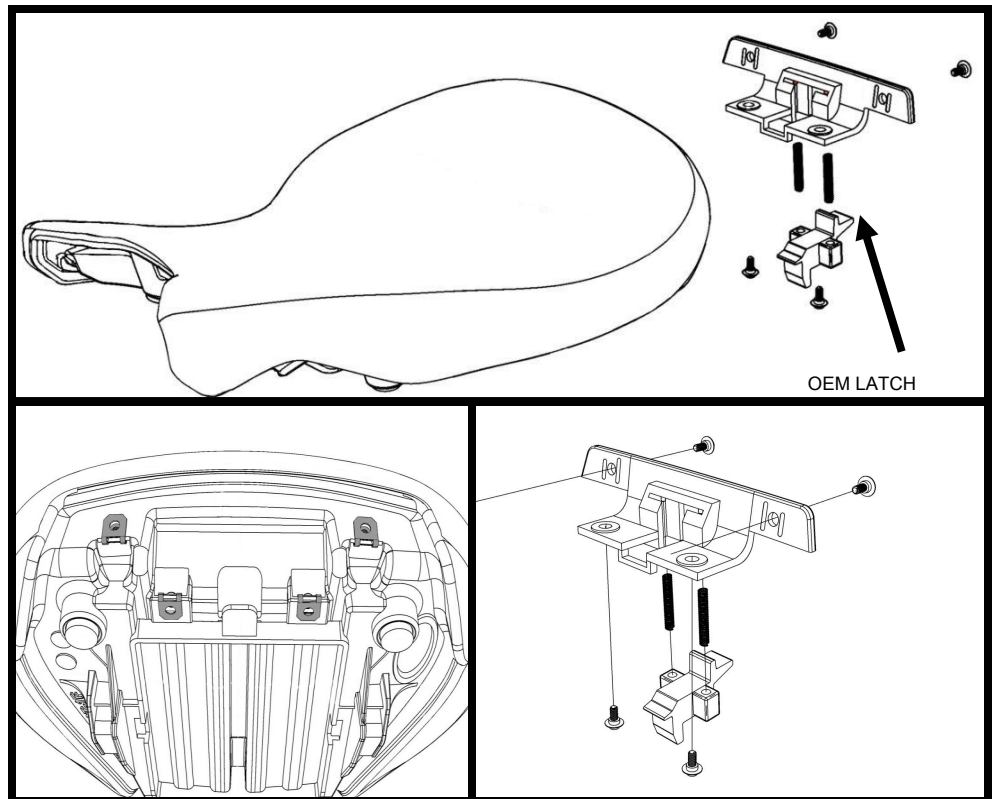
Before the Sargent World Sport Performance Seat can be installed, the front seat OEM latch must be transferred to the Sargent Seat.

**Tools Required:** T25 L-Key (provided)

**Installation:**

1. Transfer the front seat OEM latching bracket to the Sargent World Sport Performance Seat as indicated below:

**ACHTUNG!!! Keep one hand on latch assembly during removal to prevent spring ejection.**



2. Install your new Sargent Seat the same way you would your OEM seat.