

PRODUCT SPECIFICATIONS

BUF500

Vent Free Firebox



LOVE AT FIRST LIGHT



BUF500 VENT FREE FIREBOX

ACTUAL DIMENSIONS

Actual size: 46"W x 34"H x 21"D x 30-13/16"RW
 (1168 mm x 864 mm x 533 mm x 783 mm)
 Viewing area: 42"W x 21-9/16"H
 (1067 mm x 548 mm)
 Framing Dimensions: 46-1/4"W x 34-1/4"H x 20-3/4"D
 (1175 mm x 870 mm x 527 mm)

MINIMUM HEARTH DIMENSIONS

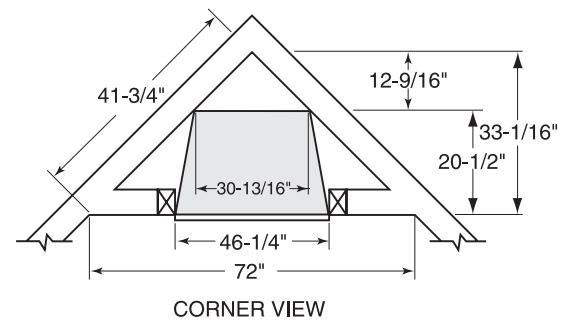
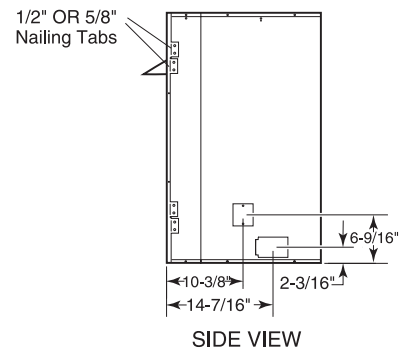
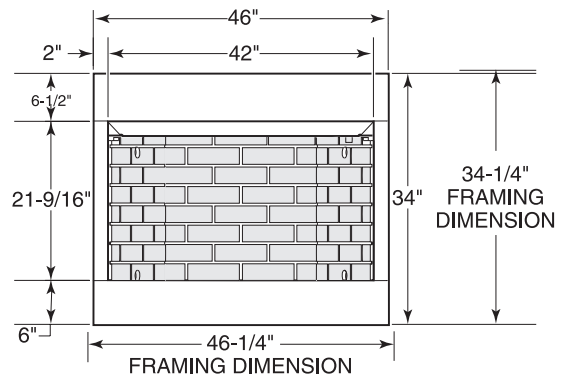
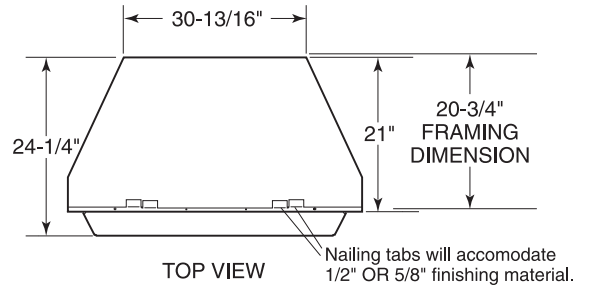
- Front opening width: 41-1/2"
- Front opening height: 21-1/2"
- Rear wall width: 26-3/8"
- Rear wall height: 20"
- Firebox depth: 17"

FIELD INSTALLED ACCESSORIES

- 200 cfm Blower Kit: FA2A
- Outside Air Kit: AK4

TECHNICAL INFORMATION

- Clearance to Fireplace: Zero
- CSA Design Certified



149 Cleveland Drive, Paris, Kentucky 40361
www.monessenhearth.com

To avoid personal injury or property damage, the product described by this brochure must be installed, operated and maintained in strict compliance with the instructions packaged with the product and all applicable building or fire codes. Contact local building or fire officials about restrictions and installation inspection requirements. All photographs and drawings on this brochure are for illustrative purposes only and are not intended for, nor should they be used as a substitute for the instructions packaged with the unit. Appearance and specifications of the product are subject to change without notice. 1115v1 © 2015 Hearth & Home Technologies