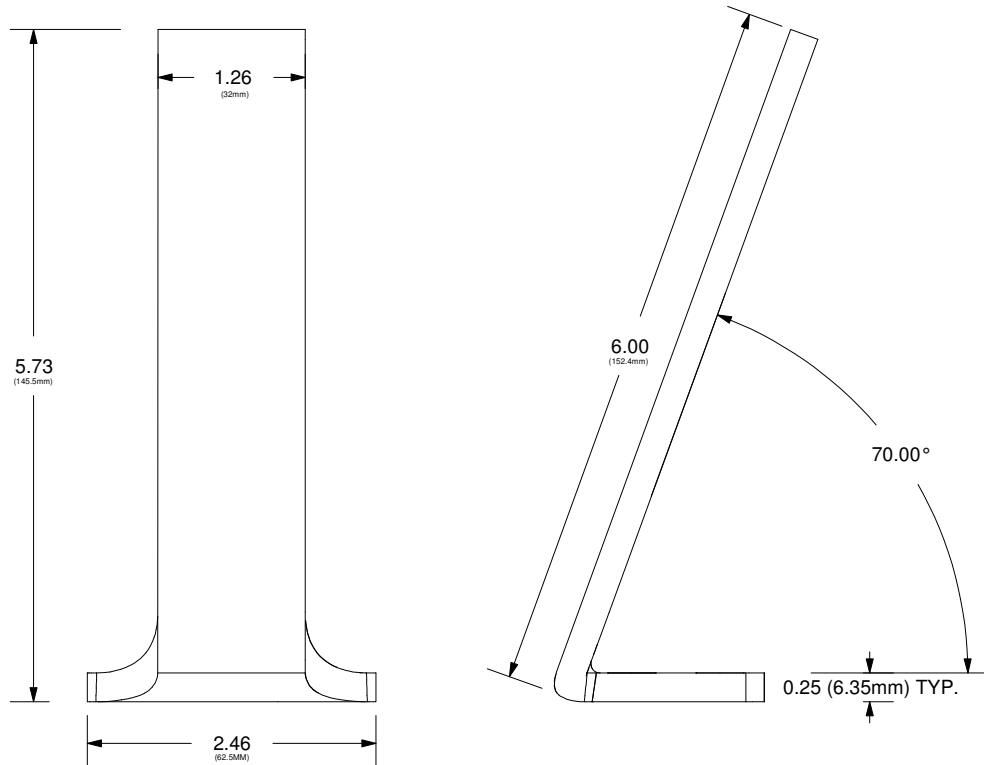


MATERIAL: STAINLESS STEEL



BRCP-2106-1

EM-5 UNIVERSAL MOUNTING BRACKET

WARNING!

The manner of which this product is attached to any motor vehicle carries important safety concerns. Do-it-yourself engineering of the attachment system is not recommended. Seek professional design and engineering services. Buyer assumes all risk associated with incorporating or adapting this product for their specific use.