

COLONIAL

Vent-Free



FMI's Colonial vent-free models are part of our exciting Renaissance Series, which offers a consistent look, sizing and construction across the entire line.



www.FMIPRODUCTS.com

Warm Up To High-Efficiency

There's a growing demand for vent-free gas fireplaces because they're 99 percent energy-efficient and can be installed virtually anywhere. FMI's Colonial vent-free models deliver these benefits and more. They're part of our exciting Renaissance Series, which offers a consistent look, sizing and construction across the entire line...plus beautiful new features homeowners will love!



The Colonial includes textured refractory brick liner to offer the attractive look of a true masonry fireplace.

The Colonial comes standard with a heat deflection hood, hidden screen pockets, stamped steel louvered panels, and other distinctive features. You can quickly convert from louvered to clean face at any time.

Since there's no chimney required, the Colonial can be installed virtually anywhere, not to mention, the Colonial's 99% energy efficiency can provide dramatic energy savings.



You get straight, secure installation, thanks to our full-length nailing flanges and drywall stops.



36" Louver Face Model shown with Warm Red Stacked textured refractory brick-lined interior.



42" Louver Face Model shown with Warm Red Herringbone textured refractory brick-lined interior.

Colonial Vent-Free Firebox Product Offering

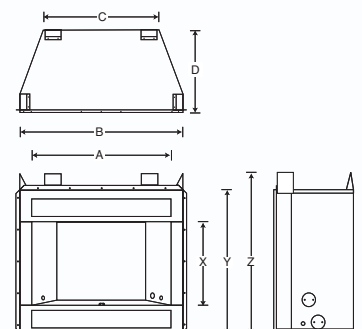
MODEL	DESCRIPTION	FACE	BRICK COLOR	BRICK PATTERN
FBF32WS	32" Vent-Free Firebox	Smooth	Natural White	Stacked
FBL32WS	32" Vent-Free Firebox	Louver	Natural White	Stacked
FBF36RS/RH	36" Vent-Free Firebox	Smooth	Warm Red	Stacked/Herringbone
FBL36RS/RH	36" Vent-Free Firebox	Louver	Warm Red	Stacked/Herringbone
FBF42RS/RH	42" Vent-Free Firebox	Smooth	Warm Red	Stacked/Herringbone
FBL42RS/RH	42" Vent-Free Firebox	Louver	Warm Red	Stacked/Herringbone

Accessory Offering Summary

- Rolled Louver Panels
- Louver Trim
- Filigree Panels
- Perimeter Trim Kits
- Deflection Hoods
- Fan Kits
- Refractory Brick Liners

Firebox Dimensions

	32"	36"	42"
A	29 3/8"	35"	42"
B	34 1/2"	41"	48"
C	22 1/2"	29"	36"
D	16 1/2"	21 1/8"	23"
X	18 3/8"	21"	24"
Y	32 1/4"	36"	40"
Z	36 1/2"	40 1/4"	44 1/4"



ANSI Z21.91 Certified



FMI PRODUCTS, LLC

www.FMIPRODUCTS.com

For more information, call (866) 328-4537

FA9910-0312

© 2012 FMI PRODUCTS, LLC



Tested & Certified



Product design, features and specifications are subject to change at any time. Refer to current product instructions prior to installation.

Printed in U.S.A.