

CAPE COD

Vent-Free



Fmi's Cape Cod vent-free fireplace offers efficiency and more with a large, superior quality fireplace at an unbeatable value...



www.FMIPRODUCTS.com

Outstanding Value & Performance

Homeowners love efficiency. And there is no greater energy or space efficient heating source than a vent-free fireplace and gas log heater. Fmi's Cape Cod vent-free firebox offers efficiency and more with a large, superior quality firebox at an unbeatable value... and with a host of beautiful new options and features homeowners will love!

The Cape Cod firebox features a sleek design and heavy steel construction with tough, textured powder coated finish. True 36" and 42" firebox openings accept the greatest variety of vent free gas logs, and we've even included operable masonry mesh screens for a true wood burning look and feel.

Available in both 36" and 42" sizes with either black painted, or factory installed refractory brick-lined interiors. Clean faced units allow you to add your choice of surround material right up to the fireplace opening, while louvered models circulate hot convection air. At 99%, vent free heating with a Cape Cod firebox is the most efficient heat source available.

We've added solid, continuous nailing flanges and drywall stops for a perfect installation every time. When you eliminate all that chase construction, installation costs come way down. And without any venting to worry about, they're versatile, enough to be installed just about anywhere.

Available accessories include realistic ceramic interior brick lining kits and a variety of gas log heaters. Outside air kits are also available for areas where they're required.



Cape Cod models feature continuous nailing flanges, chain mesh spark screens and a heat deflection hood.



42" Louver Face Model Provides Warm Air Circulation.



36" Smooth Face Model with Natural White Refractory.

Cape Cod Vent-Free Firebox Product Offering

MODEL	DESCRIPTION	FACE	INTERIOR
BFBF36K	36" Vent-Free Firebox	Smooth	Black
BFBL36K	36" Vent-Free Firebox	Louver	Black
BFBF36WS	36" Vent-Free Firebox	Smooth	Natural White Stacked Refractory
BFBL36WS	36" Vent-Free Firebox	Louver	Natural White Stacked Refractory
BFBF42K	42" Vent-Free Firebox	Smooth	Black
BFBL42K	42" Vent-Free Firebox	Louver	Black
BFBF42WS	42" Vent-Free Firebox	Smooth	Natural White Stacked Refractory
BFBL2WS	42" Vent-Free Firebox	Louver	Natural White Stacked Refractory

Accessory Offering Summary

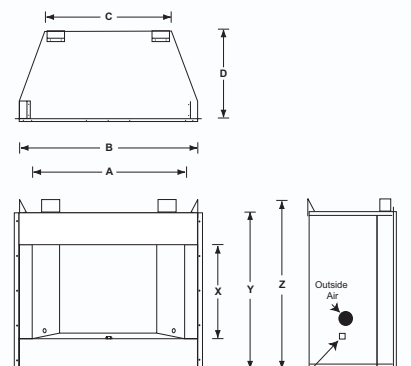
- Ceramic Fiber & Refractory Brick Liner Kits
- Outside Combustion Air Kits
- Vent-Free Gas Logs & Accessories



Optional Brick Liners available, Concrete Refractory shown.

Firebox Dimensions

	36"	42"
A	36"	42"
B	38"	44"
C	22 5/8"	28 1/2"
D	21 1/8"	21 1/8"
X	21 3/8"	21 3/8"
Y	33"	33"
Z	37 1/2"	37 1/2"



ANSI Z21.91 Certified



FMI PRODUCTS, LLC

www.FMIPRODUCTS.com

For more information, call (866) 328-4537

FA7225-0312

© 2012 FMI PRODUCTS, LLC



Product design, features and specifications are subject to change at any time. Refer to current product instructions prior to installation.

Printed in U.S.A.