

# VALIANT

Vent-Free



*Fresh, yet traditional masonry design. The Valiant's tall opening, and flush to the floor platform are welcome features to anybody familiar with real site-built masonry fireplaces.*



[www.FMIPRODUCTS.com](http://www.FMIPRODUCTS.com)

## Absolute Quality

The Valiant's tall opening, and flush to the floor platform are welcome features to anybody familiar with real site-built masonry fireplaces. The fireplace's refractory brick panels with "split" brick profile are molded from actual hand-cut firebrick in traditional stacked and herringbone patterns. Then they're individually cast in terra cotta colored refractory and hand detailed to enhance the glow of active flames.

Brick panels are cast 1" thick for extra heat insulation and "zero clearance" installation capability. The attractive heat deflection hood also protects mantels or other over-hearth materials from heat. Full coverage chain-mesh pull screens keep out what shouldn't come near the sensitive burner systems and high temperatures of a vent free heater. Yet when open, they tuck nicely away behind hidden screen pockets for a full view of the beautiful FMI Logset inside.

With no venting construction and minimum clearance requirements, the Valiant is a breeze to install. We've included gas knockouts on both sides as well as the rear of the fireplace for your choice of plumbing, and the ability to completely conceal the gas connection to the logset. The Valiant is equipped with an attractive heat deflection hood and also includes full length drywall stops and nailing flanges for a clean and solid installation.



Full Length drywall stops and nailing flanges as well as multiple gas line knockout options are standard on all Valiant models.



42" Valiant Features  
29 1/2" Tall Opening

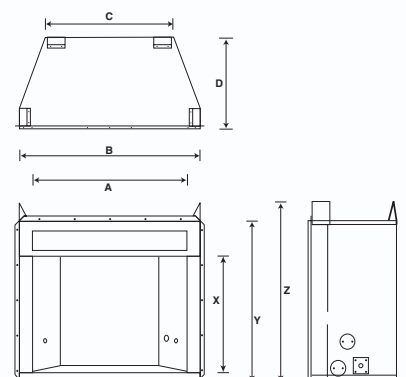
Valiant Vent-Free Firebox Product Offering			
MODEL	DESCRIPTION	FOR USE	BRICK PATTERN
VFF-32S-AKA	32" Vent-Free Firebox	Indoor	Stacked
VFF-32H-AKA	32" Vent-Free Firebox	Indoor	Herringbone
VFF-36S-AKA	36" Vent-Free Firebox	Indoor	Stacked
VFF-36H-AKA	36" Vent-Free Firebox	Indoor	Herringbone
VFF-42S-AKA	42" Vent-Free Firebox	Indoor	Stacked
VFF-42H-AKA	42" Vent-Free Firebox	Indoor	Herringbone
VFFO-32S-AKA	32" Vent-Free Firebox	Outdoor	Stacked
VFFO-32H-AKA	32" Vent-Free Firebox	Outdoor	Herringbone
VFFO-36S-AKA	36" Vent-Free Firebox	Outdoor	Stacked
VFFO-36H-AKA	36" Vent-Free Firebox	Outdoor	Herringbone
VFFO-42S-AKA	42" Vent-Free Firebox	Outdoor	Stacked
VFFO-42H-AKA	42" Vent-Free Firebox	Outdoor	Herringbone

### Accessory Offering Summary

- Decorative Doors
- Wood Cabinet Mantels

### Firebox Dimensions

	32"	36"	42"
A	29 1/2	35	42
B	34 1/2	41	48
C	22 3/8	29	36 1/16
D	16 3/4	21	23 1/16
X	24 1/4	26 3/4	29 1/2
Y	32 1/4	36	40
Z	36 1/2	40 5/8	44 1/4



FMI PRODUCTS, LLC

www.FMIPRODUCTS.com

For more information, call (866) 328-4537

FA6585-0212

© 2012 FMI PRODUCTS, LLC



Product design, features and specifications are subject to change at any time. Refer to current product instructions prior to installation.

Printed in U.S.A.