

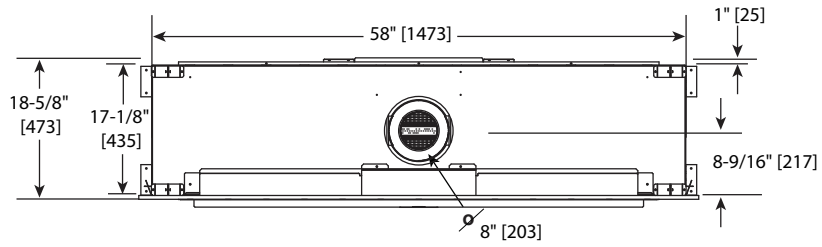


Please consult the manufacturer's installation manual for all details and requirements before making a final design layout decision.

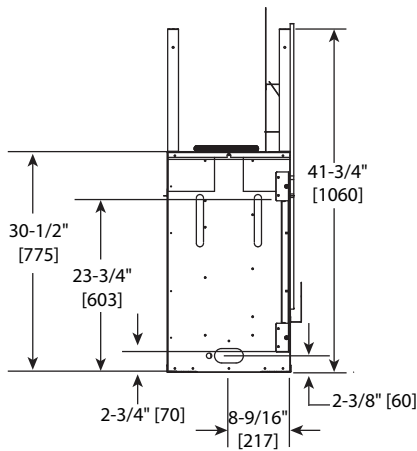
ECHEL48IN

48" Direct Vent Gas Fireplace

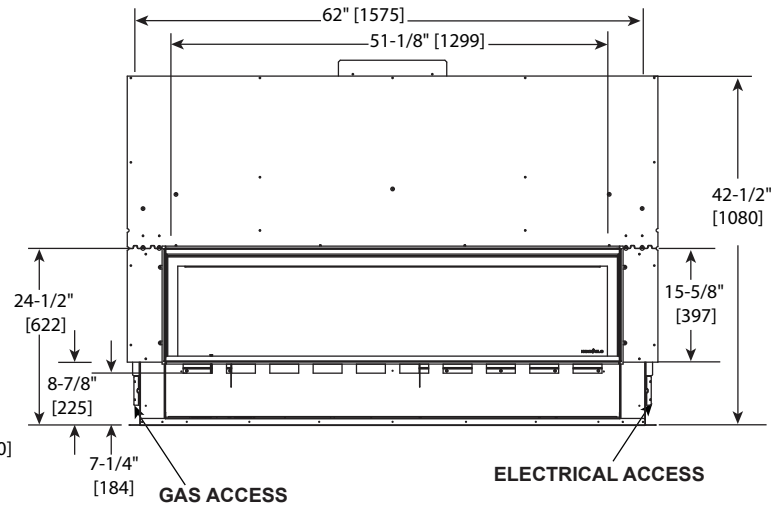
MODEL	FRONT WIDTH		BACK WIDTH		HEIGHT		DEPTH		GLASS SIZE
	Actual	Framing	Actual	Framing	Actual	Framing	Actual	Framing	
ECHEL48IN	58"	60-1/4"	58"	60-1/4"	41-3/4"	42"	17-1/8"	18-1/4"	47-1/2" x 12-1/2"



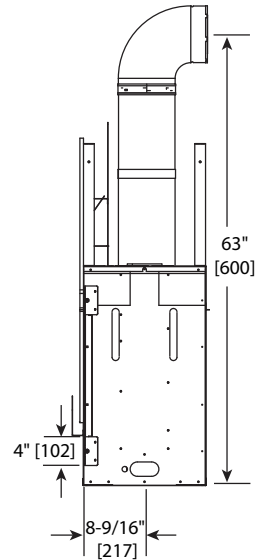
Top CENTERED ON APPLIANCE



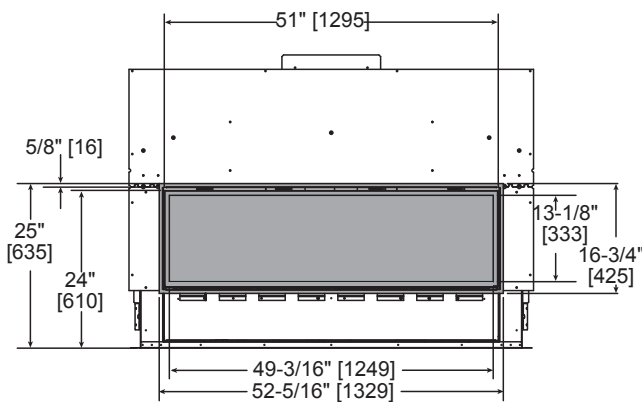
Left



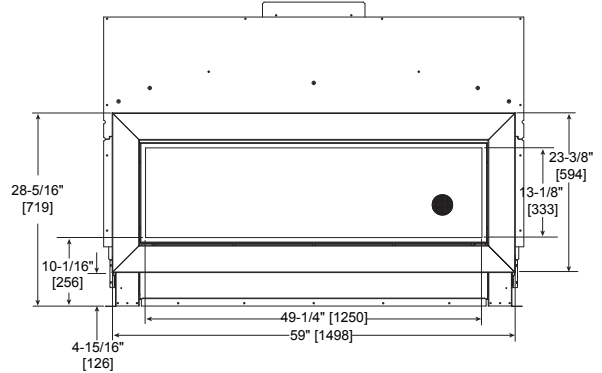
Front



Right



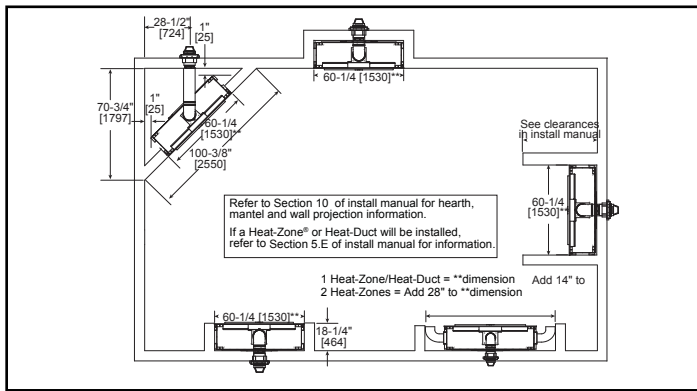
CFT Front



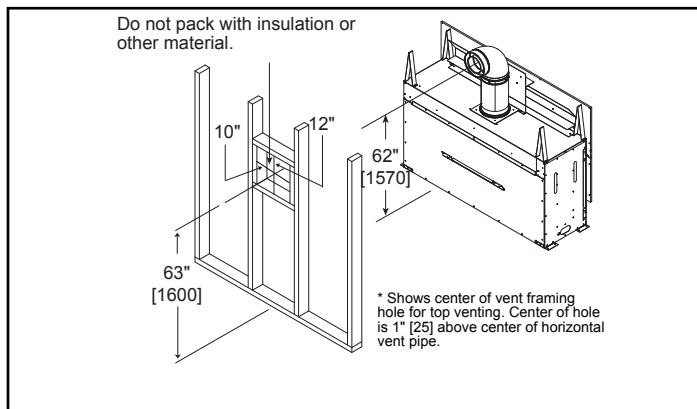
PFF Front

The PFF decorative front has an installed depth of 3/4" [19mm], measured from the front of the non-combustible finishing material to the front of the decorative front.

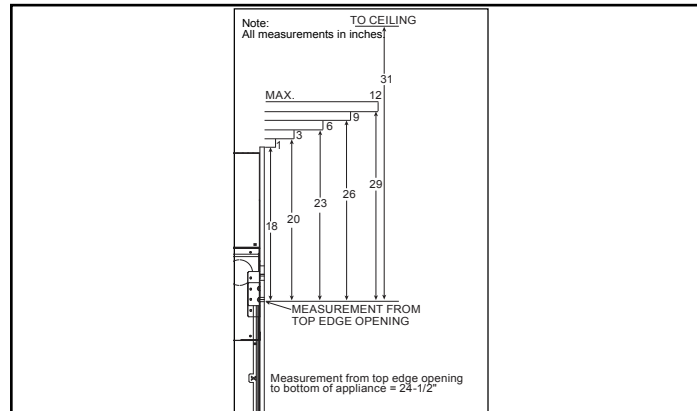
APPLIANCE LOCATION



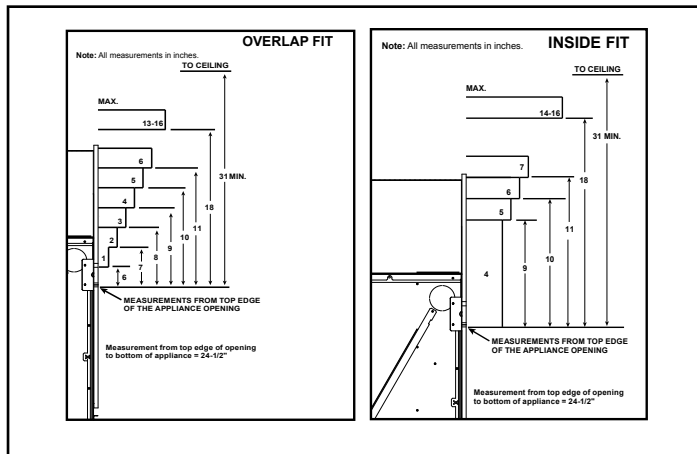
WALL PENETRATION



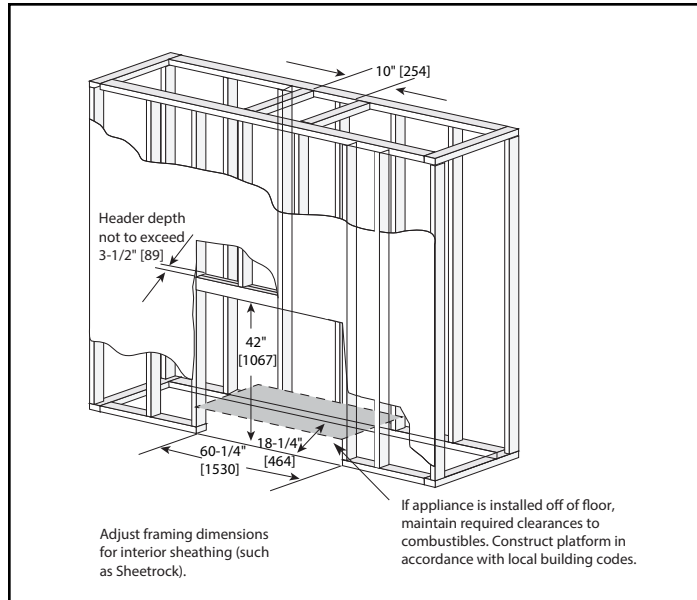
MANTEL PROJECTIONS - COMBUSTIBLE



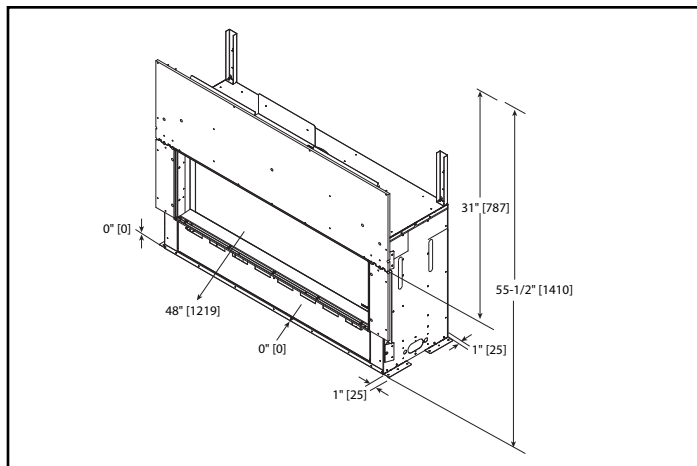
MANTEL PROJECTIONS - NON-COMBUSTIBLE



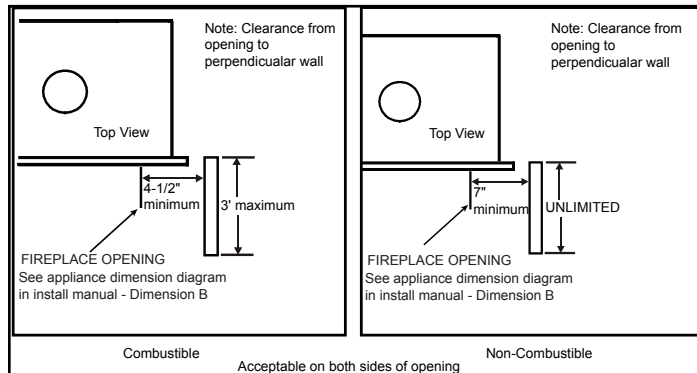
FRAMING DIMENSION



CLEARANCES TO COMBUSTIBLES



MANTEL LEG/WALL PROJECTIONS



PRODUCT LISTING CODES	
US	ANSI Z21.88-2014
CAN	CSA 2.33-2014
	UL307B

Product information provided is not complete and is subject to change without notice. Product installation must adhere strictly to instructions accompanying product to avoid risk of fire and potential injury.

Additional information can be found online at www.majesticproducts.com