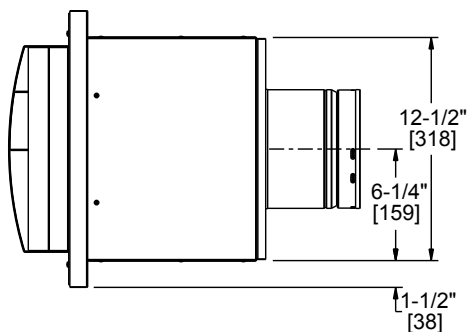




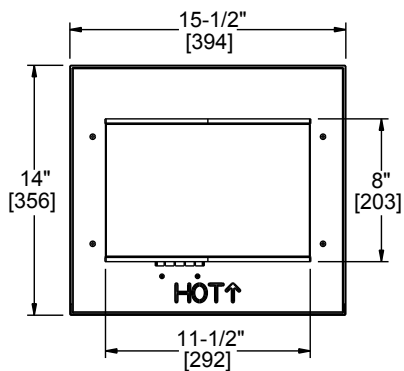
Please consult the manufacturer's installation manual for all details and requirements before making a final design layout decision.

Power Vent Low Profile

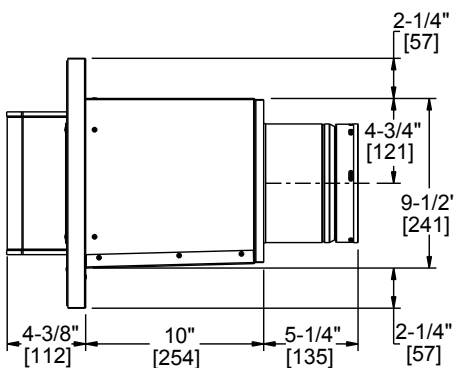
MODEL	WIDTH		HEIGHT		DEPTH
	ACTUAL	FRAMING	ACTUAL	FRAMING	ACTUAL
PVLP-SLP	15-1/2 [394]	13 [330]	14 [356]	10 [254]	14-3/8 [365]



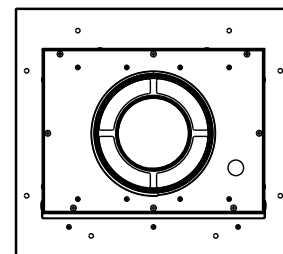
Bottom View



Front View

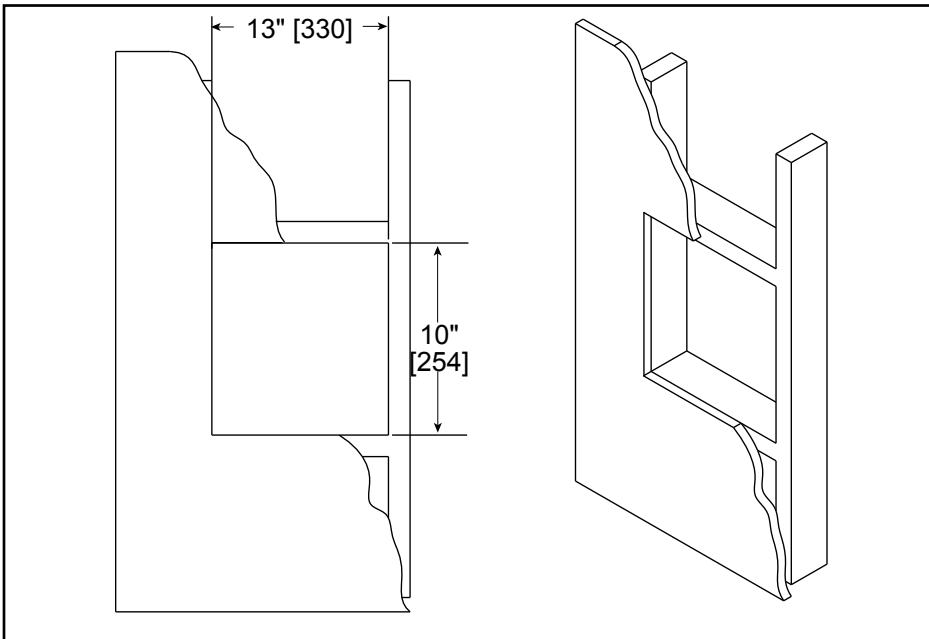


Side View

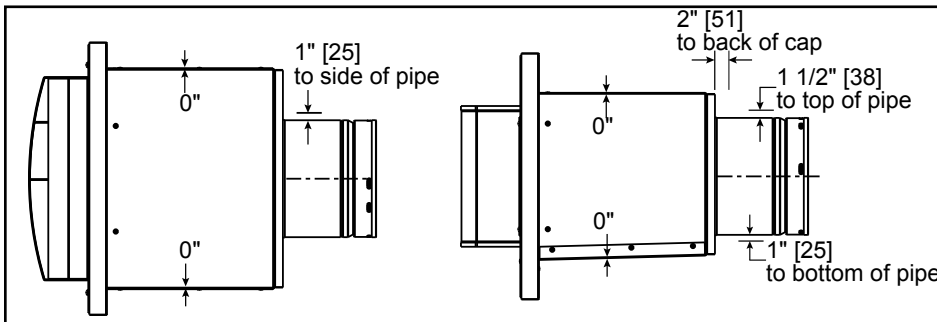


Rear View

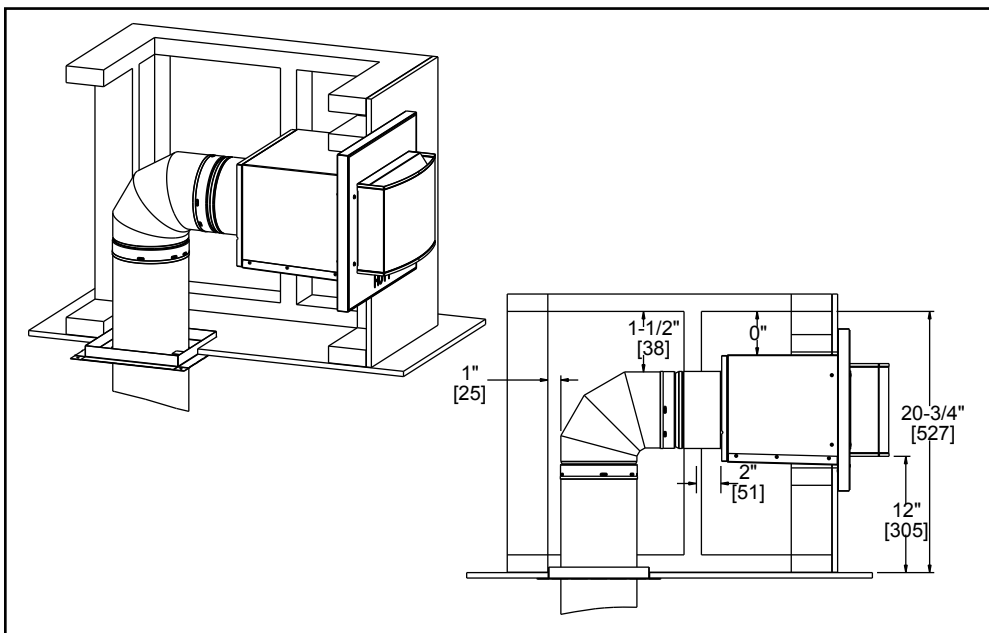
FRAMING DIMENSIONS



CLEARANCES TO COMBUSTIBLES



ROOF-TOP INSTALLATION



Product information provided is not complete and is subject to change without notice. Product installation must adhere strictly to instructions accompanying product to avoid risk of fire and potential injury.