

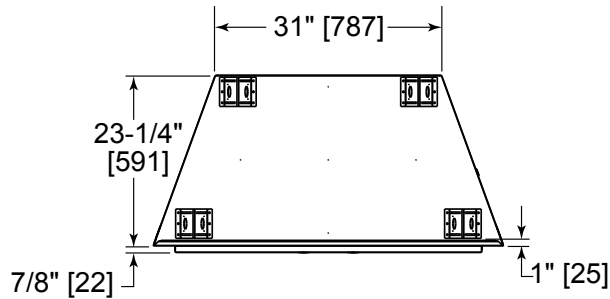


Please consult the manufacturer's installation manual for all details and requirements before making a final design layout decision.

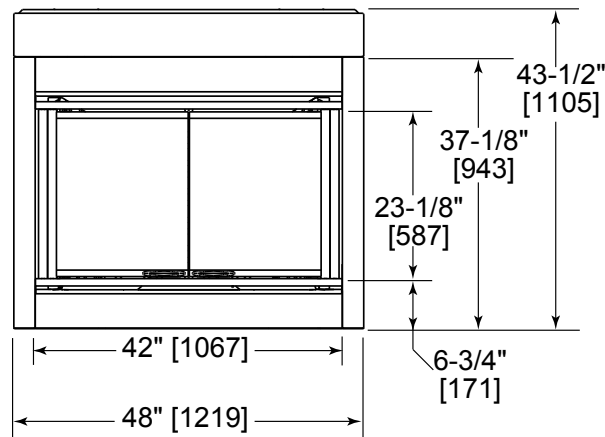
Dakota 42

Outdoor Gas Fireplace

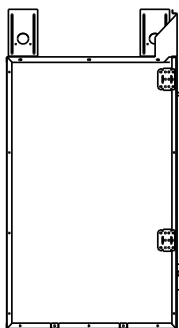
MODEL	FRONT WIDTH		BACK WIDTH		HEIGHT		DEPTH		VIEWING AREA
	Actual	Framing	Actual	Framing	Actual	Framing	Actual	Framing	
DAKOTA 42	48	49	31	49	43-1/2	43-7/8	23-1/4	24-1/8	42 x 23-1/8



TOP VIEW

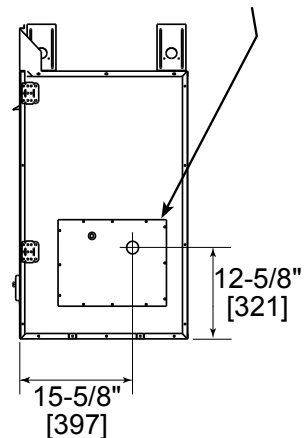


FRONT VIEW



LEFT SIDE VIEW

External Valve Cover

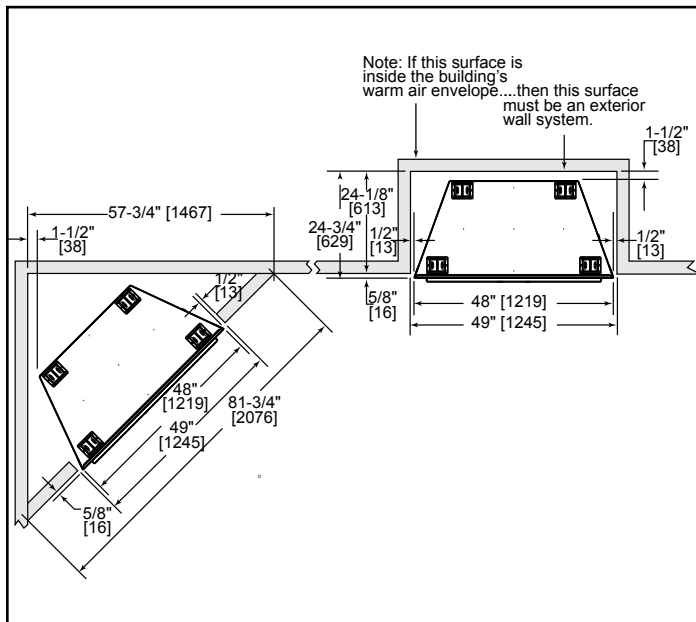


RIGHT SIDE VIEW

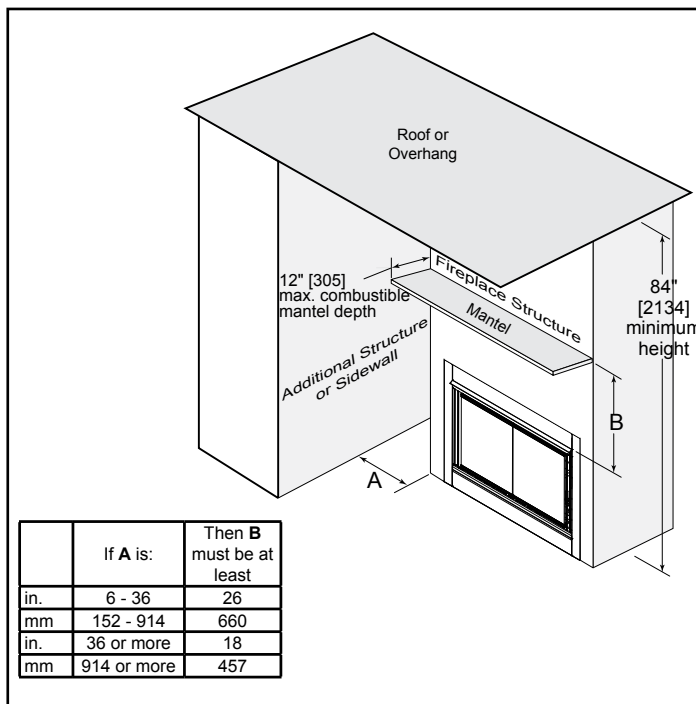
MINIMUM FIREPLACE CLEARANCES

AREA	TO COMBUSTIBLES (in inches)
CLEARANCE TO CEILING	84
COMBUSTIBLE/NON-COMBUSTIBLE FLOOR	0
FRONT OF APPLIANCE	36

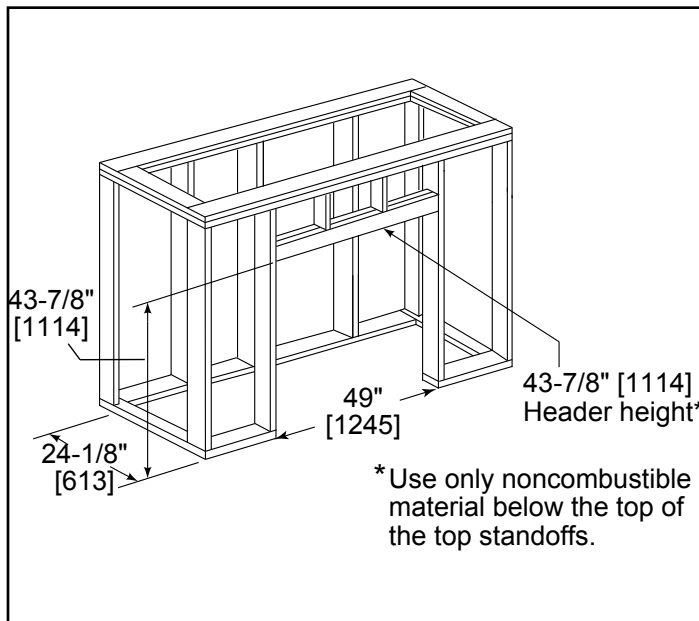
APPLIANCE LOCATION



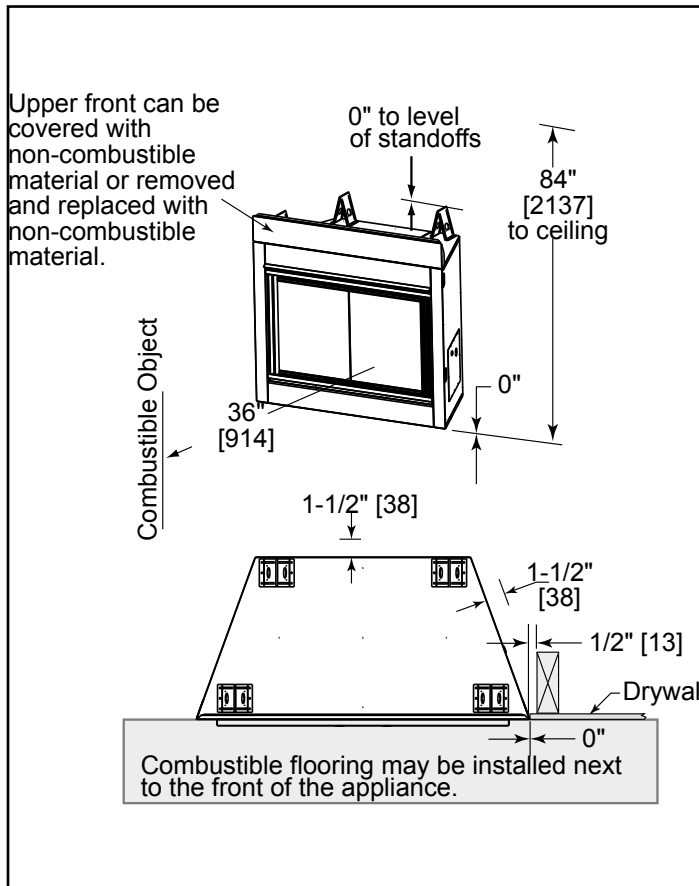
MANTEL PROJECTIONS



FRAMING DIMENSIONS



CLEARANCES TO COMBUSTIBLES



PRODUCT LISTING CODES	
US	ANSI Z21.50-2003
CAN	CSA2.22-M2003

Product information provided is not complete and is subject to change without notice. Product installation must adhere strictly to instructions accompanying product to avoid risk of fire and potential injury.

Additional information can be found online at www.fireplaces.com